

Transport Ready Option



Instruction and Warning Sheet

Allegro[®], Orbit[™], and Storm[®] Jr. Wheelchairs ONLY

Yes, you can.[™]

⚠ WARNING

IF YOUR WHEELCHAIR IS NOT EQUIPPED WITH THE TRANSPORT READY OPTION:

DO NOT let anyone occupy a wheelchair while in a moving Motor Vehicle.

Occupant **MUST** be moved to an approved Motor Vehicle seat.

Wheelchair positioning strap(s) are **NOT** intended to prevent an occupant from being thrown from a wheelchair as a result of a sudden stop and/or collision during travel in a Motor Vehicle.

DO NOT transport a wheelchair in the front seat of a Motor Vehicle.

While transporting a wheelchair in a Motor Vehicle secure it to prevent rolling and/or shifting.

INSTRUCTIONS

This wheelchair conforms with the requirements of the ANSI/RESNA WC/Vol.1- Section 19.5.3 (Frontal Impact Test).

⚠ WARNING

When feasible, wheelchair occupants should transfer to the vehicle seat and use the OEM vehicle installed restraint system.

Wheelchair occupants **MUST NOT** weigh more than 150 lbs./68 kg.

This wheelchair **MUST** be in a forward facing position during travel in a Motor Vehicle.

The location of the wheelchair securement points are shown in FIGURE 1.

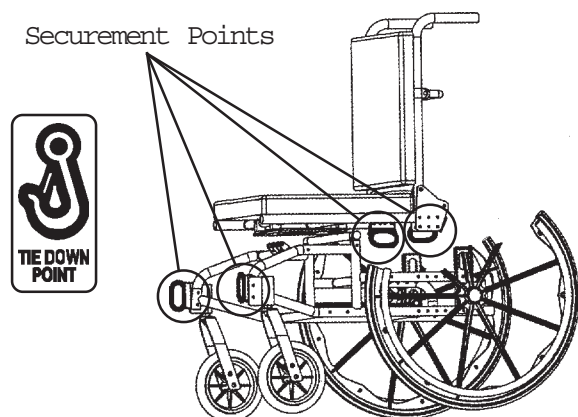


FIGURE 1 - SECUREMENT POINTS

NOTE: To obtain a copy of SAE J2249 Wheelchair Tie-down and Occupant Restraint Systems (WTORS) for use in Motor Vehicles, please contact: SAE International, 400 Commonwealth Drive, Warrendale, PA 15096, (412) 776-4970.

Attach WTORS to securement points in accordance with the manufacturer's instructions and SAE J2249

This wheelchair is to be used only with WTORS that have been installed in accordance with the manufacturer's instructions and SAE J2249.

Attach wheelchair occupant restraints in accordance with the manufacturer's instructions and SAE J2249.

Correct positioning of occupant restraint belt(s) are shown in FIGURE 2.

1. The pelvic belt should be worn low across the front of the pelvis, so that the angle of the pelvic belt is within the preferred zone of 45 to 75 degrees to the horizontal, or the optional zone of 30 to 45 degrees to the horizontal, as shown in FIGURE 2.

▨ Preferred Zone
▩ Optional Zone

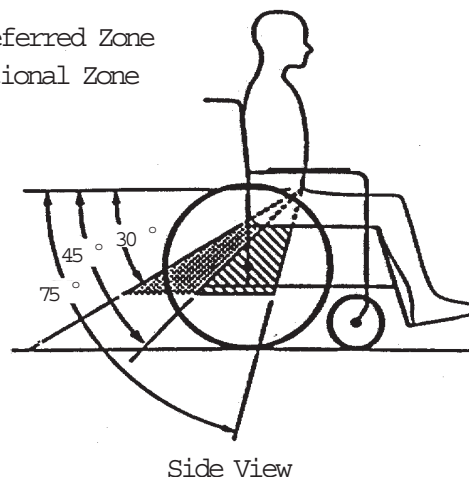


FIGURE 2 - ZONES OF PREFERRED AND OPTIONAL ANGLES FOR PELVIC BELT

2. Upper torso belt(s) should fit over the shoulder(s).
3. Restraint belt(s) should not be held away from the body by wheelchair components or parts, including but not limited to wheelchair armrests or wheels, as shown in FIGURE 3.

Restraint(s) Should Not Be Held Away From Body By Wheelchair Components

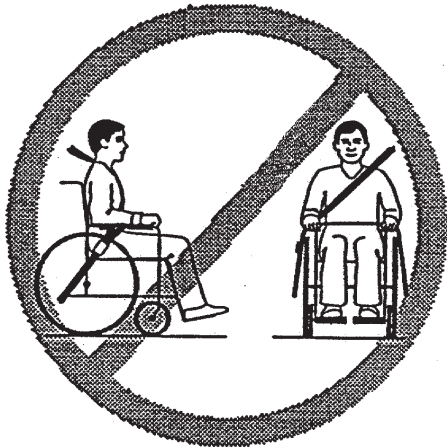


FIGURE 3 - FIGURES INDICATING IMPROPER POSITIONING OF OCCUPANT RESTRAINT(S)

4. Belt(s) should be adjusted as firmly as possible, consistent with user comfort.
5. Belt webbing should not be worn twisted.

This wheelchair has an overall rating of (see chart, FIGURE 5) with regard to accommodating the use and fit of vehicle-anchored restraint belt(s). This rating is scored as follows: A = Good to Excellent, B = Fair to Good, C = Poor to Fair.

The test for Lateral Stability Displacement for Point (P) is shown in FIGURE 4. The average test result for Point (P) is (see chart, FIGURE 5).

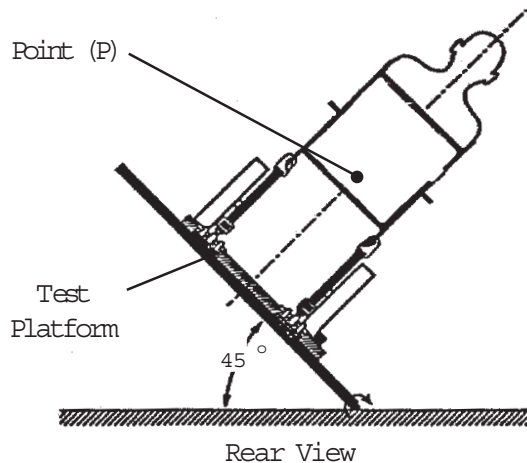


FIGURE 4 - REAR VIEW OF WHEELCHAIR AND HUMAN SURROGATE SECURED ON TEST PLATFORM AND TILTED TO 45 DEGREES

	Overall Rating	Lateral Displacement
Storm Jr.	B	5/8-inches
Allegro	B	13/16-inches
Orbit	B	1-1/4-inches

FIGURE 5 - OVERALL RATING AND AVERAGE LATERAL DISPLACEMENT TEST RESULTS

WARNING

This wheelchair has been dynamically tested in a forward-facing mode with the specified crash test dummy restrained by BOTH pelvic and shoulder belt(s), and that BOTH pelvic and upper torso belt(s) should be used to reduce the possibility of head and chest impacts with vehicle components.

Use ONLY wheelchair tie-down and occupant restraint systems during travel in a Motor Vehicle, (WTORS), which meet the requirements of SAE J2249 recommended practice.

This wheelchair MUST be in a forward facing position during travel in a Motor Vehicle.

This wheelchair is NOT equipped, and has NOT been dynamically tested to rely on WHEELCHAIR-ANCHORED pelvic and/or upper torso restraint(s).

To reduce the potential of injury to vehicle occupants, wheelchair-mounted accessories, including but not limited to IV poles, trays, respiratory equipment, backpacks, and other personal items should be removed and secured separately.

Postural supports, positioning devices, and/or strap(s) should not be relied on for occupant restraint. Wheelchairs with adjustable seat angles MUST be set between 0 and 15 degrees. Wheelchairs with reclining backs MUST be set and locked in an upright position during travel in a Motor Vehicle.

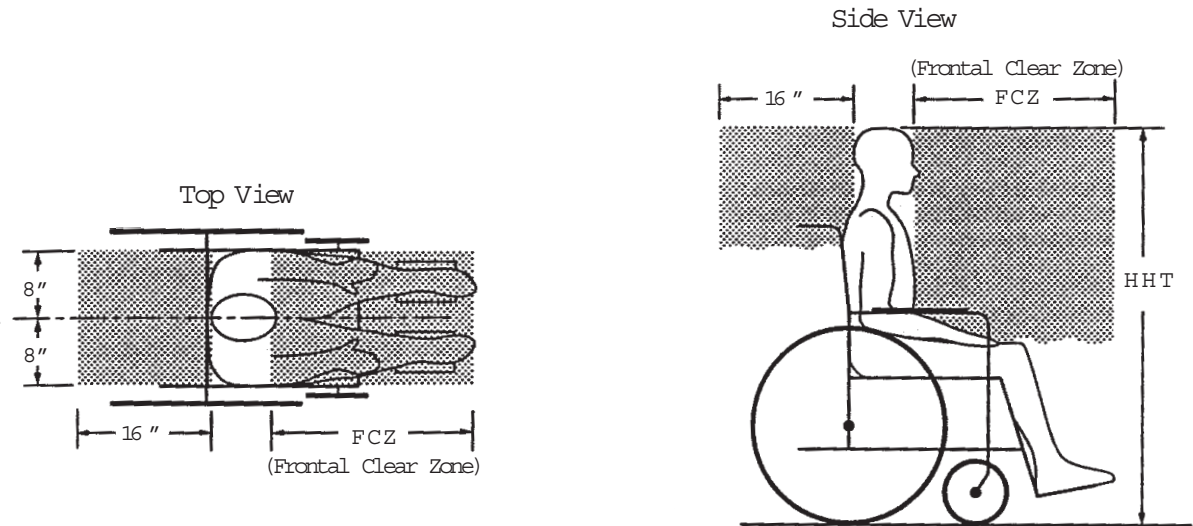
DO NOT alter or substitute wheelchair frame parts, components, or seating systems.

! WARNING

Contact Invacare Corporation (1-(800)-333-6900) with any questions about using this wheelchair for seating in a Motor Vehicle, or for approved seating systems to be used with the Transport Ready Option.

Recommended clear zones for wheelchair seated occupants restrained by BOTH pelvic and shoulder belt(s) and ONLY by a pelvic belt as shown in FIGURE 6.

NOTE: Frontal Clear Zones (FCZ) need to be LARGER when upper torso belt(s) are NOT used.



Dimensions shown are in inches

Figure 6 - CLEAR ZONES FOR WHEELCHAIR-SEATED OCCUPANTS

NOTES:

The rear clear zone of 16-inches is measured from the rearmost point on an occupant's head. The front clear zone is measured from the frontmost point on an occupant's head.

HHT is the estimated seated height from the wheelchair ground plane to the top of the wheelchair-seated occupant's head.

HHTs range from about 47-inches for a small adult female, to about 61-inches for a tall adult male.

FCZ = 26-inches with pelvic and upper-torso belt(s), and 37-inches with ONLY a pelvic belt.

The frontal clear zone may not be achievable for wheelchair-seated drivers.

NOTE: IT IS STRONGLY RECOMMENDED THAT BOTH PELVIC AND UPPER-TORSO BELT(S) BE USED.

Spill-proof batteries, such as "gel cells", should be installed on wheelchairs to be used during travel in a Motor Vehicle.

A sudden stop and/or collision may structurally damage your wheelchair. Wheelchairs involved in such incidents should be replaced.



Yes, you can.™

Invacare Corporation www.invacare.com

USA
One Invacare Way
Elyria, Ohio USA
44036-2125
800-333-6900

Canada
570 Matheson Blvd. E Unit 8
Mississauga, Ontario
L4Z 4G4, Canada
800-668-5324

Invacare and Orbit are registered trademarks of Invacare Corporation. Allegro and Storm Series are trademarks of Invacare Corporation.
©2004 Invacare Corporation
Part No. 1085193 Rev. C - 04/04

Free Manuals Download Website

<http://myh66.com>

<http://usermanuals.us>

<http://www.somanuals.com>

<http://www.4manuals.cc>

<http://www.manual-lib.com>

<http://www.404manual.com>

<http://www.luxmanual.com>

<http://aubethermostatmanual.com>

Golf course search by state

<http://golfingnear.com>

Email search by domain

<http://emailbydomain.com>

Auto manuals search

<http://auto.somanuals.com>

TV manuals search

<http://tv.somanuals.com>