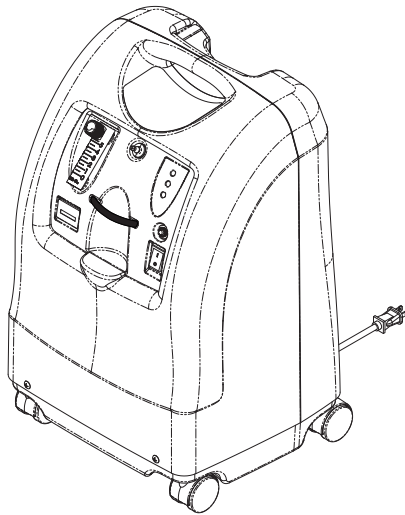


# Operator's Manual

## Perfecto<sub>2</sub><sup>™</sup> Series

Oxygen Concentrators without SensO<sub>2</sub><sup>®</sup>,  
Oxygen Concentrators with SensO<sub>2</sub><sup>®</sup>  
HomeFill<sup>®</sup> Compatible



**Model IRC5PO2AW**

**Model IRC5PAW**

Dealer: This manual MUST be given to the end user.

User: BEFORE using this product, read this manual and save for future reference.



**For more information regarding  
Invacare products, parts, and services,  
please visit [www.invacare.com](http://www.invacare.com)**



**Yes, you can.™**

## **WARNING**

DO NOT use this product or any available optional equipment without first completely reading and understanding these instructions and any additional instructional material such as owner's manuals, service manuals or instruction sheets supplied with this product or optional equipment. If you are unable to understand the warnings, cautions or instructions, contact a healthcare professional, dealer or technical personnel before attempting to use this equipment - otherwise, injury or damage may occur.

---

## **ACCESSORIES WARNING**

Invacare products are specifically designed and manufactured for use in conjunction with Invacare accessories. Accessories designed by other manufacturers have not been tested by Invacare and are not recommended for use with Invacare products.

---

## **ACCESSORIES**

There are many different types of humidifiers, oxygen tubing, cannulas and masks that can be used with this device. You should contact your local home care provider for recommendations on which of these devices will be best for you. They should also give you advice on the proper usage, maintenance, and cleaning.

*NOTE: Updated versions of this manual can be found at [www.invacare.com](http://www.invacare.com).*

---

# TABLE OF CONTENTS

<b>ACCESSORIES .....</b>	<b>2</b>
<b>SPECIAL NOTES .....</b>	<b>4</b>
<b>LABEL LOCATION .....</b>	<b>6</b>
<b>SECTION 1—GENERAL GUIDELINES .....</b>	<b>7</b>
Radio Frequency Interference .....	9
<b>SECTION 2—FEATURES .....</b>	<b>10</b>
<b>SECTION 3—HANDLING .....</b>	<b>11</b>
Unpacking.....	11
Inspection.....	11
Storage.....	11
<b>SECTION 4—TECHNICAL DESCRIPTION .....</b>	<b>12</b>
<b>SECTION 5—TYPICAL PRODUCT PARAMETERS .</b>	<b>13</b>
<b>SECTION 6—OPERATING INSTRUCTIONS .....</b>	<b>17</b>
Introduction.....	17
Select a Location .....	17
Set Up .....	18
Flowrate.....	21
SensO <sub>2</sub> Oxygen Purity Indicator - Model IRC5PO2AW .....	22
Initial Startup of the Concentrator .....	22
Explanation of Indicator Lights - Model IRC5PAW .....	23
Elapsed Time Meter (Hour Meter) .....	23
<b>SECTION 7—MAINTENANCE .....</b>	<b>24</b>
Routine Maintenance.....	24
<b>SECTION 8—TROUBLESHOOTING GUIDE .....</b>	<b>27</b>
<b>SECTION 9—OPTIONAL ACCESSORIES .....</b>	<b>29</b>
<b>RECYCLING INFORMATION .....</b>	<b>30</b>
<b>LIMITED WARRANTY .....</b>	<b>31</b>

# SPECIAL NOTES

Signal words are used in this manual and apply to hazards or unsafe practices which could result in personal injury or property damage. Refer to the following table for definitions of the signal words.

SIGNAL WORD	MEANING
DANGER	Danger indicates an imminently hazardous situation which, if not avoided, will result in death or serious injury.
WARNING	Warning indicates a potentially hazardous situation which, if not avoided, could result in death or serious injury.
CAUTION	Caution indicates a potentially hazardous situation which, if not avoided, may result in property damage or minor injury or both.

---

## NOTICE

The information contained in this document is subject to change without notice.

---

## DANGER

**DO NOT SMOKE** while using this device. Keep all matches, lit cigarettes or other sources of ignition out of the room in which this product is located and away from where oxygen is being delivered.

**NO SMOKING** signs should be prominently displayed. Textiles and other materials that normally would not burn are easily ignited and burn with great intensity in oxygen enriched air. Failure to observe this warning can result in severe fire, property damage and cause physical injury or death.

---

---

## CAUTION

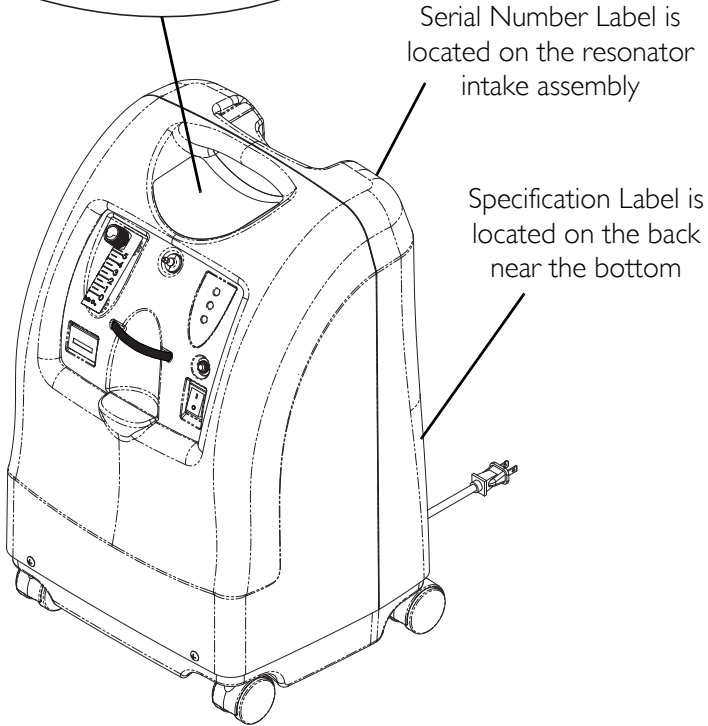
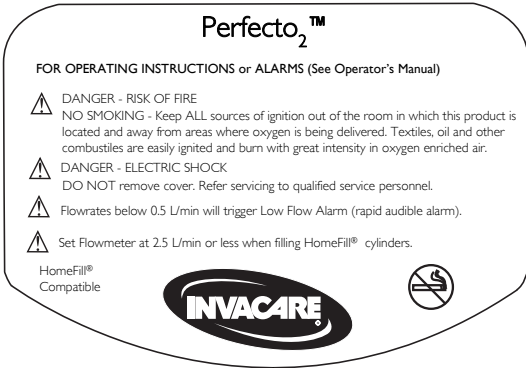
“Caution: Statutory law can restrict this device to sale by or on order of a physician, or any other practitioner licensed by the law of the governmental agency in which he/she practices to use or order the use of this device.”

Invacare recommends an alternate source of supplemental oxygen in the event of a power outage, alarm condition or mechanical failure. Consult your physician or equipment provider for the type of reserve system required.

This equipment is to be used as an oxygen supplement and is not considered life supporting or life sustaining.

---

# LABEL LOCATION



## SECTION I—GENERAL GUIDELINES

In order to ensure the safe installation, assembly and operation of the Perfecto<sub>2</sub> concentrator these instructions **MUST** be followed.

---

### **⚠ WARNING**

This section contains important information for the safe operation and use of this product.

---

### **⚠ DANGER**

**Risk of electric shock. DO NOT disassemble. Refer servicing to qualified service personnel. No user serviceable parts.**

**TO REDUCE THE RISK OF BURNS, ELECTROCUTION, FIRE OR INJURY TO PERSONS.**

**Avoid using while bathing. If continuous usage is required by the physician's prescription, the concentrator **MUST** be located in another room at least 2.5 m (7 ft) from the bath.**

**DO NOT come in contact with the concentrator while wet.**

**DO NOT place or store product where it can drop into water or other liquid.**

**DO NOT reach for product that has fallen into water. Unplug **IMMEDIATELY**.**

**If the concentrator has a damaged cord or plug, if it is not working properly, if it has been dropped or damaged, or dropped into water, call qualified technician for examination and repair.**

**A spontaneous and violent ignition may occur if oil, grease or greasy substances come in contact with oxygen under pressure. These substances **MUST** be kept away from the oxygen concentrator, tubing and connections, and all other oxygen equipment. **DO NOT** use any lubricants unless recommended by Invacare.**

## Operating Information

For optimum performance, Invacare recommends that each concentrator be on and running for a minimum of 30 minutes at a time. Shorter periods of operation may reduce maximum product life.

Keep the oxygen tubing, cord, and unit out from under such items as blankets, bed coverings, chair cushions, clothing and away from heated or hot surfaces, including space heaters, stoves and similar electrical appliances.

DO NOT move or relocate concentrator by pulling on the power cord.

NEVER drop or insert any object or liquid into any opening.

Invacare recommends that Crush-Proof oxygen tubing be used with this product and not exceed 15.2 m (50 ft) in length.

There are no user serviceable parts. This does not include normal maintenance items. See maintenance section for user maintenance items.

A product should NEVER be left unattended when plugged in. Make sure the Perfecto<sub>2</sub> is Off when not in use.

Close supervision is necessary when this product is used near children or physically-challenged individuals.

Additional monitoring or attention may be required for patients using this device who are unable to hear or see alarms or communicate discomfort.

DO NOT connect the concentrator in parallel or series with other oxygen concentrators or oxygen therapy devices.



## Radio Frequency Interference

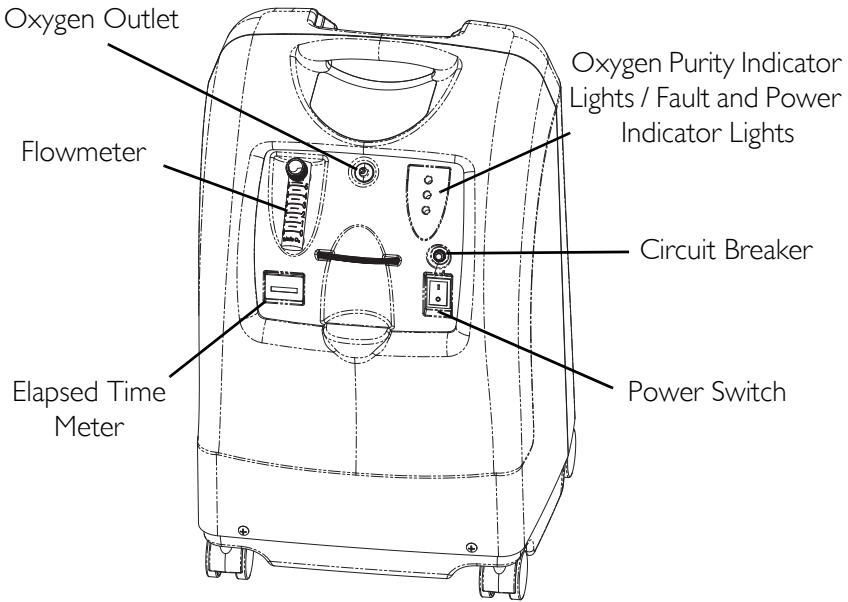
This equipment has been tested and found to comply with EMC limits specified by IEC/EN 60601-1-2. These limits are designed to provide a reasonable protection against electromagnetic interference in a typical medical installation.

Other devices may experience interference from even the low levels of electromagnetic emissions permitted by the above standards. To determine if the emissions from the Perfecto<sub>2</sub> is causing the interference, turn the Perfecto<sub>2</sub> Off. If the interference with the other device(s) stops, then the Perfecto<sub>2</sub> is causing the interference. In such rare cases, interference may be reduced or corrected by one of the following measures:

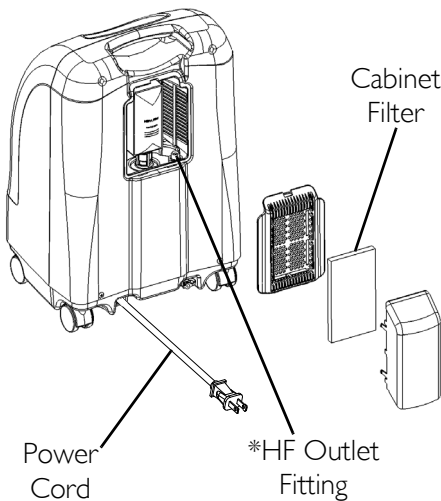
- Reposition, relocate, or increase the separation between the equipment.
- Connect the equipment into an outlet on a circuit different from that to which the other device(s) is connected.

Avoid creation of any spark near medical oxygen equipment. This includes sparks from static electricity created by any type of friction.

# SECTION 2—FEATURES



## REAR VIEW



*\*NOTE: This outlet fitting is to be used only for filling oxygen cylinders with the HomeFill home oxygen compressor. The outlet fitting does not affect concentrator performance. Refer to the HomeFill owner's manual, part number 1116444, for connection and operating instructions. When not in use, the plug provided with the concentrator should be inserted into the outlet fitting. For more information about the HomeFill, contact your Invacare dealer.*

## SECTION 3—HANDLING

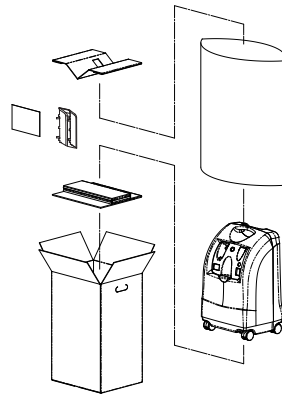
The concentrator should ALWAYS be kept in the upright position to prevent cabinet damage while being transported.

If the concentrator is to be reshipped by common carrier, additional cartons are available from Invacare.

### Unpacking

*NOTE: For this procedure, refer to FIGURE 3.1.*

1. Check for any obvious damage to the carton or its contents. If damage is evident, notify the carrier, or your local dealer.
2. Remove all loose packing from the carton.
3. Carefully remove all the components from the carton.



**FIGURE 3.1** Unpacking

*NOTE: Unless the oxygen concentrator is to be used IMMEDIATELY, leave concentrator in its packaging for storage until use of the concentrator is required.*

### Inspection

1. Inspect/examine exterior of the oxygen concentrator for nicks, dents, scratches or other damages. Inspect all components.

### Storage

1. Store the repackaged oxygen concentrator in a dry area.
2. DO NOT place objects on top of repackaged concentrator.

## **SECTION 4—TECHNICAL DESCRIPTION**

The Invacare Perfecto<sub>2</sub> concentrator is used by patients with respiratory disorders who require supplemental oxygen. The device is not intended to sustain or support life.








The oxygen concentration level of the output gas ranges from 87% to 95.6%. The oxygen is delivered to the patient through the use of a nasal cannula.

The Invacare Perfecto<sub>2</sub> concentrator uses a molecular sieve and pressure swing adsorption methodology to produce the oxygen gas output. Ambient air enters the device, is filtered and then compressed. This compressed air is then directed toward one of two nitrogen adsorbing sieve beds. Concentrated oxygen exits the opposite end of the active sieve bed and is directed into an oxygen reservoir where it is delivered to the patient.

The Invacare Perfecto<sub>2</sub> concentrator is capable of operation by the patient in a home environment or in an institutional environment. Device operates at a nominal 230 VAC/50 Hertz supply.

Service information will be available upon request to qualified technical personnel only.

## SECTION 5—TYPICAL PRODUCT PARAMETERS

	Alternating Current
	Type BF equipment
	Unit running
	Unit not running
	Attention - Consider Accompanying Documents
	DO NOT smoke
	Class II, Double Insulated
<b>IPX0</b>	Not Protected
Electrical Requirements:	230 VAC $\pm$ 10% (253 VAC/207 VAC), 50 Hz
Rated Current Input:	1.4 A
Sound Level:	39.5 dBA Average
Altitude:	Up to 1828 meters (6,000 ft) above sea level without degradation of concentration levels. Not recommended for use above 1828 meters (6,000 ft)
Oxygen Output Concentration Levels: <i>NOTE: Stated concentration levels achieved after initial warm-up period (approximately 30 minutes).</i>	All IRC5PO2AW / IRC5PAW models 87% to 95.6% at 0.5 to 5 L/min
Maximum Outlet Pressure:	34.5 kPa $\pm$ 3.45 kPa (5 psi $\pm$ 0.5 psi)



## SECTION 5—TYPICAL PRODUCT PARAMETERS

Flow Range:	0.5 to 5 L/min (maximum). For flowrates less than 1 L/min, we recommend the use of the Invacare Pediatric Flowmeter Accessory (IRCPFI6AW).
Low Flow Alarm:	0 L/min to 0.5 L/min Rapid Audible Alarm Beeping (No Accessories Connected).
Average Power Consumption:	300 W 280 W @ $\leq 3$ L/min
Pressure Relief Mechanism Operational at:	241 kPa $\pm$ 24.1 kPa (35 psi $\pm$ 3.5 psi)
Change in maximum recommended flow when back pressure of 7kPa is applied:	0.7 L/min
Filters:	Cabinet, Outlet HEPA and Compressor Inlet
Safety System:	Current overload or line surge shutdown. High temperature compressor shutdown. High Pressure Alarm w/compressor shutdown. Low Pressure Alarm w/compressor shutdown. Battery Free Power Loss Alarm. SensO <sub>2</sub> Oxygen System (SensO <sub>2</sub> Model) Low Flow Alarm.
Width:	38.1 cm $\pm$ 1 cm (15 in $\pm$ 3/8 in)
Height:	58.4 cm $\pm$ 1 cm (23 in $\pm$ 3/8 in)
Depth:	30.5 cm $\pm$ 1 cm (12 in $\pm$ 3/8 in)
Weight:	20.5 kg $\pm$ 1 kg (45 lbs $\pm$ 2 lbs)
Shipping Weight:	22.7 kg $\pm$ 1 kg (50 lbs $\pm$ 2 lbs)
Operating Ambient Temperature:	10°C - 35°C (50°F - 95°F) at 20-60% relative humidity
Exhaust Cooling Air Temperature:	Less than Ambient +19°C (+ 35°F)
Oxygen Output Temperature:	Less than Ambient +3°C(+ 6°F)
Cabinet:	Impact Resistant flame-retardant plastic cabinet that conforms to UL 94-V0.


## SECTION 5—TYPICAL PRODUCT PARAMETERS

No AP/APG	Not suitable for use in the presence of a flammable anaesthetic mixture.
Standards and Regulatory Listing:	IRC5PO2AW/IRC5PAW IEC/EN61000-3-2 IEC/EN61000-3-3, IEC/EN 60601-1, A1, A2 IEC/EN 60601-1-2 IRC5PO2AW Models Only ISO8359 MDD 93/42/EEC, Annex I and IX
CE marked model	IRC5PO2AW
Electrical:	No extension cords.
Placement:	No closer than 7.5 cm (3 in) from any wall, furniture, draperies, or furniture to assure sufficient air flow. Avoid deep pile carpets and heaters, radiators or hot air registers. Floor location only.
Tubing:	2 m (7 ft) cannula with a maximum 15 m (50 ft) of Crush-Proof Tubing (DO NOT pinch).
Time of Operation:	Up to 24 hours per day.
Recommended Storage and Shipping Temperature:	-29°C to 65°C (-20°F to 150°F) at 15-95% relative humidity.
Environment:	Smoke and soot-free. No confined spaces (Example: No closets).
Minimum Operating Time:	30 Minutes

**IRC5PO2AW INDICATORS**

LABEL SYMBOL	O <sub>2</sub> PURITY	INDICATOR LIGHTS (LED)
O <sub>2</sub>	SYSTEM OKAY O <sub>2</sub> over 85% (± 2%)	GREEN Indicator Light
	O <sub>2</sub> Between 73% (± 3%) to 85% (±2%)	YELLOW Indicator light A. YELLOW Solid B. YELLOW Flashing Sensor Failure Call a qualified technician.
	SYSTEM FAILURE O <sub>2</sub> Below 73% (±3%)	RED Indicator Light Continuous Audible Alarm Sieve-GARD Compressor Shutdown

**IRC5PAW INDICATORS**

LABEL SYMBOL	STATUS	INDICATOR LIGHTS (LED)
I/O	SYSTEM OKAY	GREEN Indicator Light
	SYSTEM FAILURE	RED Indicator light Continuous Audible Alarm Sieve-GARD™ Compressor Shutdown Call a qualified technician.



# SECTION 6—OPERATING INSTRUCTIONS

## Introduction

Your oxygen concentrator is intended for individual use. It is an electronically operated device that separates oxygen from room air. It provides high concentration of oxygen directly to you through a nasal cannula. Clinical studies have documented that oxygen concentrators are therapeutically equivalent to other types of oxygen delivery systems.

Your provider will show you how to use your oxygen concentrator. He/She should be contacted with any questions or problems regarding your oxygen concentrator. This owner's manual will tell you about your concentrator and will serve as a reference as you use your concentrator.

## Select a Location

---

### **WARNING**

NEVER block the air openings of the product or place it on a soft surface, such as a bed or couch, where the air opening may be blocked. Keep the openings free from lint, hair and the like.

Keep unit at least 7.5 cm (3 in) away from walls, draperies, furniture, and the like.

---

You may select a room in your house where using your oxygen concentrator would be most convenient. Your concentrator can be easily rolled from room to room on its casters.

Your oxygen concentrator will perform best when operated under the conditions outlined in the Typical Product Parameters on page 13. Usage in environments other than those described may result in the need for increased equipment maintenance. The air intake of the unit should be located in a well ventilated area to avoid airborne pollutants and/or fumes.

### Set Up

1. Plug in power cord to an electrical outlet.
2. Connect Humidifier (if so prescribed).

---

### **⚠ WARNING**

DO NOT overfill humidifier.

DO NOT reverse the oxygen input and output connections. Water from the humidifier bottle will travel through the cannula back to the patient.

---

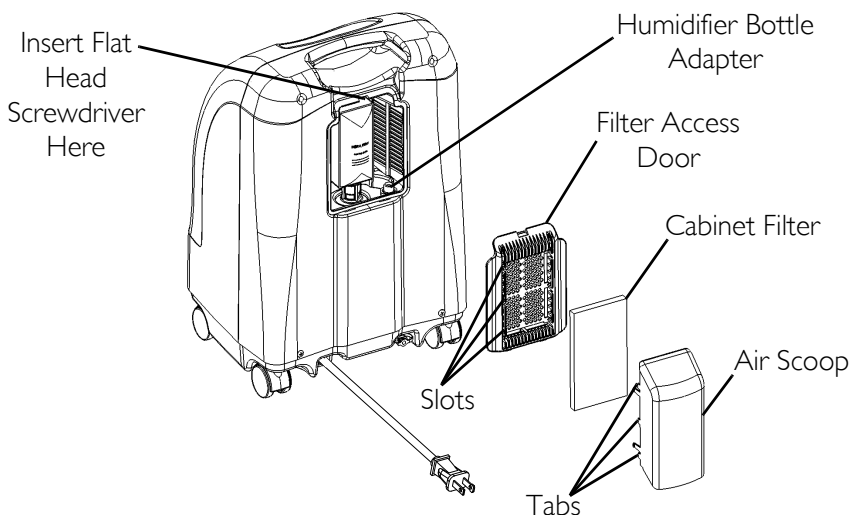
*NOTE: For this procedure, refer to FIGURE 6.1, FIGURE 6.2 on page 19, FIGURE 6.3 on page 20.*

1. Remove cap from bottle.
2. Fill humidifier with distilled water to the level indicated by the manufacturer. Replace the humidifier cap and securely tighten.



**FIGURE 6.1** Filling the Humidifier

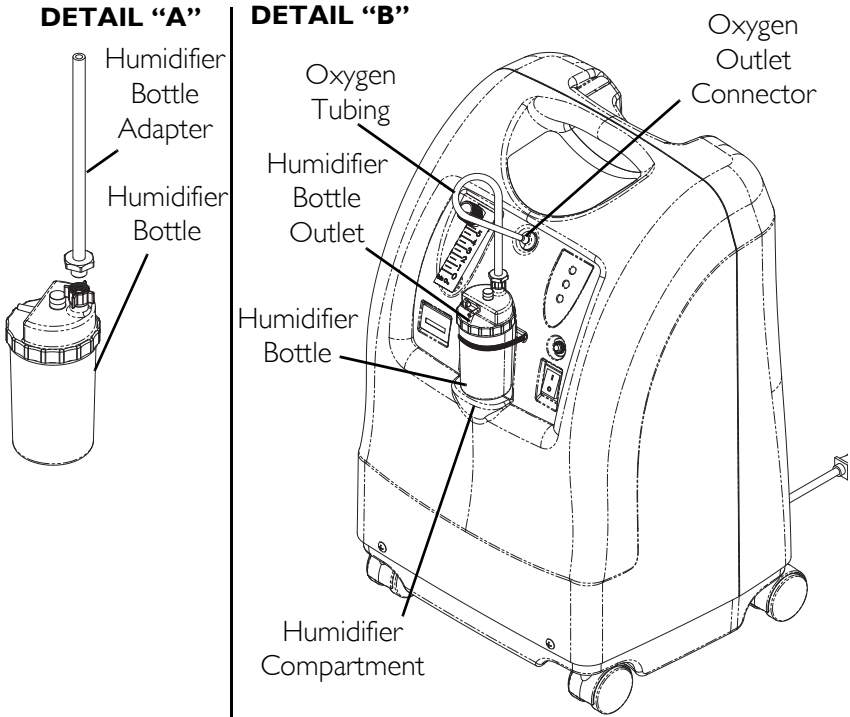
3. Insert a flathead screwdriver in the plate groove on the top edge of the filter access door and gently pry the filter access door off (FIGURE 6.2).
4. Pull up and remove the humidifier bottle adapter (FIGURE 6.2).
5. Replace the filter access door and install the air scoop onto the filter access door by inserting the six tabs on the air scoop into the six slots on the sides of the filter access door.



**FIGURE 6.2** Humidifier Bottle Adapter

6. Attach the humidifier bottle adapter to the humidifier bottle by turning the wing nut on the humidifier bottle counterclockwise until it is securely fastened. See Detail "A" in FIGURE 6.3.
7. Place the humidifier bottle/adapter assembly in the humidifier compartment on the concentrator. See Detail "B" in FIGURE 6.3.
8. Attach oxygen tubing from the humidifier bottle/adapter assembly to oxygen outlet connector on the concentrator. See Detail "B" in FIGURE 6.3.
9. Attach the cannula/patient supply tubing to the humidifier bottle outlet. See Detail "B" in FIGURE 6.3.

10. After assembly, ensure that oxygen is flowing through the cannula.

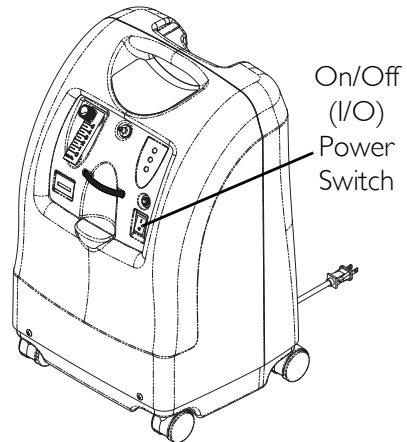


**FIGURE 6.3** Humidifier Compartment

## Power Switch

*NOTE: For this procedure, refer to FIGURE 6.4.*

1. Press power switch to On position. All the panel lights and the audible alarm will come on for one second, indicating that the unit is functioning properly.



**FIGURE 6.4** Power Switch

## Flowrate

*NOTE: For this procedure, refer to FIGURE 6.5.*

*NOTE: Take care not to set the flow above RED ring. An oxygen flow greater than 5 L/min will decrease the oxygen concentration.*

1. Turn the flowrate knob to the setting prescribed by your physician or therapist.

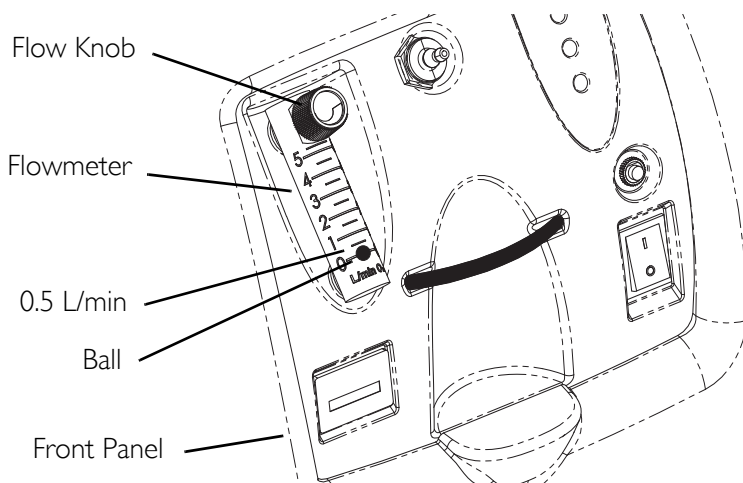
### **⚠ WARNING**

**DO NOT** change the L/min setting on the flowmeter unless a change has been prescribed by your physician or therapist.

*NOTE: To properly read the flowmeter, locate the prescribed flowrate line on the flowmeter. Next, turn the flow knob until the ball rises to the line. Now, center the ball on the L/min line prescribed.*

2. If the flowrate on the flowmeter ever falls below 0.5 L/min for more than about one minute, the LOW FLOW alarm will be triggered. This is a rapid beeping of the audible alarm. Check your tubing or accessories for blocked or kinked tubing or a defective humidifier bottle. After rated flow is restored to more than 0.5 L/min, the LOW FLOW audible alarm will go off.

*NOTE: The use of some accessories such as the pediatric flowstand and the HomeFill compressor will deactivate the Low Flow Alarm.*



**FIGURE 6.5** Flowrate

## **SensO<sub>2</sub> Oxygen Purity Indicator - Model IRC5PO2AW**

This feature monitors the purity of oxygen generated by the oxygen concentrator. If purity falls below factory preset standards, indicator lights on the control panel will illuminate.

### **Initial Startup of the Concentrator**

*NOTE: Concentrator may be used during the initial start warm-up time (approximately 30 min.) while waiting for the O<sub>2</sub> purity to reach maximum.*

When the unit is turned on, the GREEN light will come on (SYSTEM OK/O<sub>2</sub> greater than 85%). After five minutes, the oxygen sensor will be operating normally and will control the indicator lights depending on oxygen concentration values.

### **Explanation of Oxygen Purity Indicator Lights - Model IRC5PO2AW**

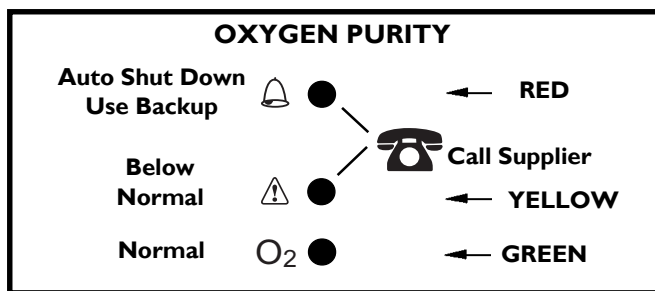
*NOTE: For this procedure, refer to FIGURE 6.6 on page 23.*

GREEN light (O<sub>2</sub>) - Normal Operation.

YELLOW light (⚠) - Immediately call supplier. You may continue to use the concentrator unless instructed otherwise by your supplier. Be certain that backup oxygen is nearby.

RED light (⚠) - Total unit shutdown. Immediately switch to backup oxygen supply and call supplier.

GREEN light - with YELLOW light flashing - Immediately call supplier. Oxygen sensor malfunctioning; you may continue to use the concentrator.



**FIGURE 6.6** Explanation of Oxygen Purity Indicator Lights - Model IRC5PO2AW

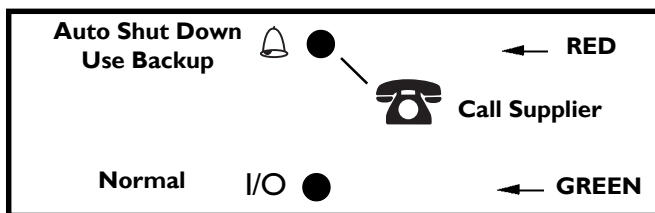
## Explanation of Indicator Lights - Model IRC5PAW

*NOTE: For this procedure, refer to FIGURE 6.7.*

### IRC5PAW Model Indicator Light Explanation

RED light ( $\Delta$ ) - Total Unit Shut-Down. Immediately switch to a back-up oxygen supply and call supplier.

GREEN light (I/O) - On/Off. System okay.



**FIGURE 6.7** Explanation of Indicator Lights - Model IRC5PAW

## Elapsed Time Meter (Hour Meter)

The hour meter displays the cumulative number of hours the unit has operated.

## SECTION 7—MAINTENANCE

---

### **WARNING**

The Invacare concentrators are specifically designed to minimize routine preventive maintenance. Only qualified personnel should perform preventive maintenance on the concentrator.

Unplug the concentrator when cleaning. To avoid electrical shock, DO NOT remove cabinet.

---

*NOTE: At a minimum, preventive maintenance MUST be performed according to the maintenance record guidelines. In places with high dust or soot levels, maintenance may need to be performed more often. Refer to Preventive Maintenance Record on page 26.*

### **Routine Maintenance**

*The following routine maintenance should be performed more frequently. See recommended intervals in each section and Preventive Maintenance Record on page 26.*

### **Cleaning the Cabinet Filter**

---

#### **CAUTION**

DO NOT operate the concentrator without the filter installed.

---

*NOTE: For this procedure, refer to FIGURE 7.1 on page 25.*

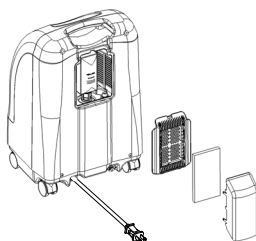
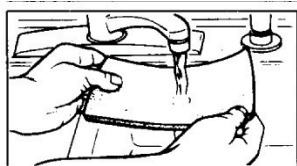
*NOTE: There is one cabinet filter located on the back of the cabinet.*

1. Inspect the filter monthly. Remove the filter and clean as needed.

*NOTE: Environmental conditions that may require more frequent inspection and cleaning of the filter include, but are not limited to: high dust, air pollutants, etc.*



2. Clean the cabinet filter with a vacuum cleaner or wash in warm soapy water and rinse thoroughly.
3. Dry the filter thoroughly before reinstallation.



**FIGURE 7.1** Cleaning the Cabinet Filter

## Cleaning the Cabinet

1. Clean the cabinet with a mild household cleaner and non-abrasive cloth or sponge.

## Cleaning the Humidifier

*NOTE: To clean the oxygen humidifier, follow the instructions provided by the manufacturer. If none are provided, follow these STEPS:*

1. Clean the humidifier every day.
2. Wash it in soapy water and rinse it with a solution of ten parts water and one part vinegar.
3. Rinse thoroughly with hot water and refill with distilled water to the level shown on the humidifier.

**PREVENTIVE MAINTENANCE RECORD**

Model No. IRC \_\_\_\_\_ Serial No. \_\_\_\_\_

On Each Inspection

<b>Record Date Of Service</b>						
Record Elapsed Hours on Hour Meter						
Clean Cabinet Filters						
Check Prescribed L/min Flow Rate						
<b>Annually, During Preventive Maintenance Schedule, Or Between Patients</b>						
Clean/Replace Cabinet Filters						
Check outlet HEPA Filter*						
Check Compressor Inlet Filter*						
Check Oxygen Concentration (SensO <sub>2</sub> models)						
Check Power Loss Alarm						
<b>As Required</b>						
Clean Heat Exchanger						
Replace Exhaust Muffler						
Rebuild Top End Compressor						
<b>Every 180 Days for IRC5PAW**</b>						
Check oxygen Concentration						

\*NOTE: Refer to Preventive Maintenance section of Service Manual.

\*\*NOTE: Model not available within EU countries.

## SECTION 8—TROUBLESHOOTING GUIDE

SYMPTOM:	PROBABLE CAUSE:	SOLUTION:
<b>Alarm:</b>	<b>Main Power Loss:</b>	
Short beeps, long pause	1. Power cord not plugged in.	1. Insert plug into outlet.
Concentrator not operating, power switch On.	2. No power at outlet.	2. Inspect house circuit breakers or fuses. If problem recurs, use a different outlet.
Beep.....Beep.....	3. Tripped circuit breaker.	3. Push/reset circuit breaker. If problem recurs, call Service Provider.
<b>Alarm:</b> Continuous  Concentrator not operating, Power Switch On.  Beeeeeeep....	<b>System Failure:</b> 1. Unit overheating due to blocked air intake.  2. Insufficient power at outlet.  3. Internal repairs required.	1a. Remove and clean cabinet filters.  1b. Move oxygen concentrator at least three inches away from walls, draperies or furniture.  2. DO NOT use extension cords. Move to another electrical outlet or circuit.  3. Call Service Provider.

## SECTION 8—TROUBLESHOOTING GUIDE

SYMPTOM:	PROBABLE CAUSE:	SOLUTION:
<p>YELLOW or RED light Illuminated.</p> <p>Alarm: Continuous On RED light only.</p> <p>* Only applies to IRC5PO2AW models.</p>	1. Low oxygen purity.*	1. Clean or Replace filters.
	2. Kinked or blocked tubing, cannula or humidifier.*	2. Inspect for kinks or blockages. Correct, clean or replace item. Once corrected, turn power Off for 60 seconds and then turn power back On.
	3. Flowmeter set at 0.5 L/min *.	3. Check flowmeter is set to 1.0 L/min or more. Refer to <u>Typical Product Parameters</u> on page 13.
	4. Unit overheating due to blocked air intake.	4a. Remove and clean cabinet filters. 4b. Move concentrator at least three inches from walls, draperies, and furniture.
	5. Insufficient power at outlet.	5. DO NOT use extension cords. Move to another electrical outlet or circuit.
	6. Internal repairs required.	6. Call Service Provider.
GREEN light with YELLOW Light Flashing.	1. Internal repairs required.	1. Call Service Provider.
<p><b>Alarm:</b> Rapid</p> <p>Beep....Beep... Beep...Beep</p>	<p><b>LOW FLOW ALARM</b></p> <p>1a. Kinked or blocked tubing, cannula or humidifier.</p> <p>1b. Flowmeter set at 0.5 L/min.</p>	<p>1a. Inspect for kinks or blockages. Correct, clean or replace item. Once corrected, turn power Off for 60 seconds and then turn power back ON.</p> <p>1b. Flowrates less than 1 L/min are not recommend.</p>

## **SECTION 9—OPTIONAL ACCESSORIES**

The following optional accessories are also available:

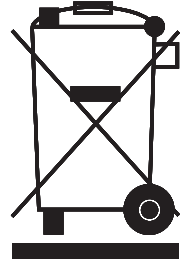
- Standard Adult Nasal Cannula, 2.1 m (7 feet)- M3120
- Standard Humidifier - M5120
- PreciseRX™ Pediatric Humidifier/Flowmeter  
Accessory - IRCPF16AW
- HomeFill home oxygen compressor - IOH200AW

# RECYCLING INFORMATION

This product has been supplied from an environmentally aware manufacturer that complies with the Waste Electrical and Electronic Equipment (WEEE) Directive 2002/96/CE.

This product may contain substances that could be harmful to the environment if disposed of in places (landfills) that are not appropriate according to legislation.

The 'crossed out wheelie bin' symbol is placed on this product to encourage you to recycle wherever possible.



Please be environmentally responsible and recycle this product through your recycling facility at its end of life.

# LIMITED WARRANTY

United Kingdom: Invacare Ltd, South Road, Bridgend  
Industrial Estate, UK-Bridgend CF31 3PY

Tel: (44) (0)1656 664 321, Fax: (44) (0)1656 667 532

UK@invacare.com

Ireland:

Invacare Ireland Ltd, Unit 5 Seatown Business Campus,  
Seatown Road, Swords, County Dublin - Ireland

Tel: (353) 1 810 7084, Fax: (353) 1 810 7085

ireland@invacare.com



*Yes, you can.*

**Invacare Corporation**

[www.invacare.com](http://www.invacare.com)

**USA**

One Invacare Way  
Elyria, Ohio USA  
44036-2125  
440-329-6000  
800-333-6900  
Technical Services  
440-329-6593  
800-832-4707

Invacare Corporation  
2101 E. Lake Mary Blvd.  
Sanford, FL 32773  
800-832-4707



All rights reserved. Trademarks are identified by <sup>™</sup> and <sup>®</sup>.  
All trademarks are owned by or licensed to Invacare Corporation or its subsidiaries unless otherwise noted.

EC	REP
----	-----

© 2009 Invacare Corporation

EU Representative  
Invacare International Sarl  
Route de Cité Ouest 2  
1196 Gland  
Switzerland  
Tel: +41 22 354 60 10  
Fax: +41 22 354 60 11



Part No 1150713

Rev C - 4/09





## Free Manuals Download Website

<http://myh66.com>

<http://usermanuals.us>

<http://www.somanuals.com>

<http://www.4manuals.cc>

<http://www.manual-lib.com>

<http://www.404manual.com>

<http://www.luxmanual.com>

<http://aubethermostatmanual.com>

Golf course search by state

<http://golfingnear.com>

Email search by domain

<http://emailbydomain.com>

Auto manuals search

<http://auto.somanuals.com>

TV manuals search

<http://tv.somanuals.com>