

# User Manual



**DEALER:** These instructions **MUST** be given to the user of the product.

**USER:** **BEFORE** using this product, read this manual and save for future reference.

**Yes, you can.**

## Leveler Instructions for Armoire/Wardrobes

---

### I General

---

#### I.1 Symbols

Signal words are used in this manual and apply to hazards or unsafe practices which could result in personal injury or property damage. See the information below for definitions of the signal words.



#### **WARNING**

Warning indicates a potentially hazardous situation which, if not avoided, could result in death or serious injury.

#### **CAUTION**

Caution indicates a potentially hazardous situation which, if not avoided, may result in property damage or minor injury or both.

- ① Gives useful tips, recommendations and information for efficient, trouble-free use.
- ① The wardrobe **MUST** be level for proper door alignment.

---

### 2 Usage

---

#### 2.1 Leveler Instructions for Concord, Somerset, Camden, Hamilton, Glendale, and Torrington Collections

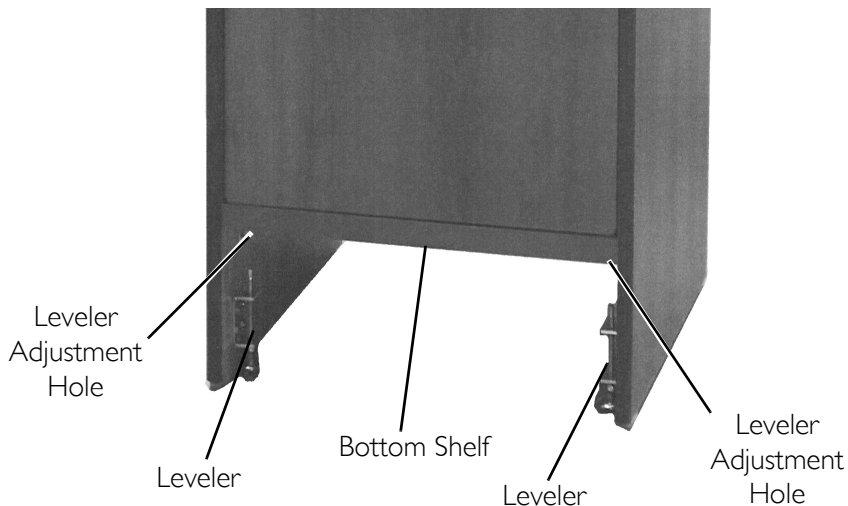
##### Removing Skid Runners (If applicable)

- ① Skid runners are attached to the bottom of the armoire/wardrobe for shipping.
1. Tilt the unit back or lay unit down on its back.
  2. Remove the screws that attach the runners to the side panels and discard the skid runners.
  3. Position unit in upright position.

##### Armoire/Wardrobe With Two Drawers

- ① For this procedure, refer to **FIGURE 1** on page 2.
1. Pull the bottom drawer out to full extension.
  2. Depress the metal lock brackets at the ends of the cabinet drawer slides.

3. Remove the drawer.
  - ① Leveler adjustment holes are located at each side of the bottom shelf.
4. Insert a flathead screwdriver to make contact with the leveler head.
  - ① When performing step 5, ensure that both levelers are raised/lowered to the same height to ensure the door will open and close properly.
5. Perform one of the following:
  - Turn leveler screws clockwise to raise unit.
  - Turn leveler screws counter clockwise to lower unit.
6. Reinstall drawer.



**FIGURE I** Usage

### Armoire/Wardrobe With No Drawers

- ① For this procedure, refer to FIGURE I.
1. Open the door(s) and locate two plastic plugs at each side of the bottom shelf.
2. Pry out the plugs with a flat screwdriver.
3. Insert the flat screwdriver into the holes to make contact with the leveler head.
  - ① When performing step 4, ensure that both levelers are raised/lowered to the same height to ensure the door will open and close properly.
4. Perform one of the following:
  - Turn levelator screws clockwise to raise unit.
  - Turn levelator screws counter clockwise to lower unit.
5. Replace plastic plugs.

## 2.2 Leveler Instructions for Halifax Collection

### Removing Skid Runners (If applicable)

① Skid runners are attached to the bottom of the armoire/wardrobe for shipping.

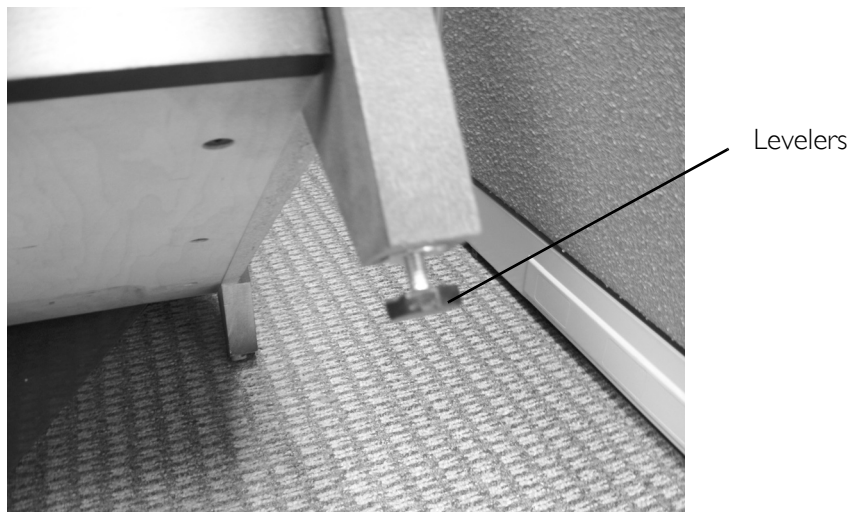
1. Tilt the unit back or lay unit down on its back.
2. Remove the screws that attach the runners to the side panels and discard the skid runners.

### 2.3 Armoire/Wardrobe

① For this procedure, refer to FIGURE 2.

When performing step 1, ensure that both levelers are raised/lowered to the same height to ensure the door will open and close properly.

1. Perform one of the following:
  - Turn levelers clockwise to raise unit.
  - Turn levelers counter clockwise to lower unit.
2. Position unit in upright position.



**FIGURE 2** Leveler Instructions for Halifax Collection



**Yes, you can.**

**Invacare Corporation**

[www.invacare.com](http://www.invacare.com)

**USA**

One Invacare Way  
Elyria, Ohio USA  
44036-2125  
800-333-6900  
Technical Services  
800-832-4707

© 2011 Invacare Corporation. All rights reserved. Republication, duplication or modification in whole or in part is prohibited without prior written permission from Invacare. Trademarks are identified by <sup>™</sup> and <sup>®</sup>. All trademarks are owned by or licensed to Invacare Corporation or its subsidiaries unless otherwise noted. Betadine is a registered trademark of Purdue Pharma L.P.

Part No 1171786

Rev A - 3/11



## Free Manuals Download Website

<http://myh66.com>

<http://usermanuals.us>

<http://www.somanuals.com>

<http://www.4manuals.cc>

<http://www.manual-lib.com>

<http://www.404manual.com>

<http://www.luxmanual.com>

<http://aubethermostatmanual.com>

Golf course search by state

<http://golfingnear.com>

Email search by domain

<http://emailbydomain.com>

Auto manuals search

<http://auto.somanuals.com>

TV manuals search

<http://tv.somanuals.com>