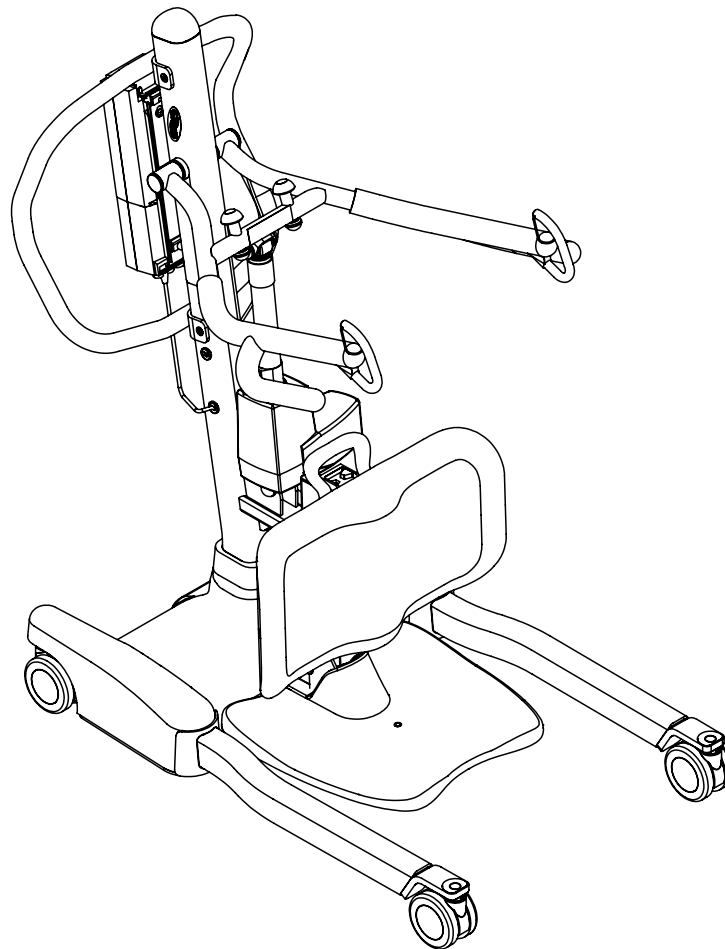


# **Roze™ Stand Up Patient Lift**



**DEALER:** This manual **MUST** be given to the user of this product.

**USER:** **BEFORE** using this product, read this manual and save for future reference.

For more information regarding  
Invacare products, parts, and services,  
please visit [www.invacare.com](http://www.invacare.com)



**Yes, you can.®**

## **WARNING**

**DO NOT OPERATE THIS EQUIPMENT WITHOUT FIRST READING AND UNDERSTANDING THIS MANUAL. IF YOU ARE UNABLE TO UNDERSTAND THE WARNINGS, CAUTIONS AND INSTRUCTIONS CONTACT A QUALIFIED DEALER OR INVACARE TECHNICAL SUPPORT BEFORE ATTEMPTING TO USE THIS EQUIPMENT - OTHERWISE INJURY OR DAMAGE MAY RESULT.**

---

## **ACCESSORIES WARNING**

Invacare products are specifically designed and manufactured for use in conjunction with Invacare accessories. Accessories designed by other manufacturers have not been tested by Invacare and are not recommended for use with Invacare products.

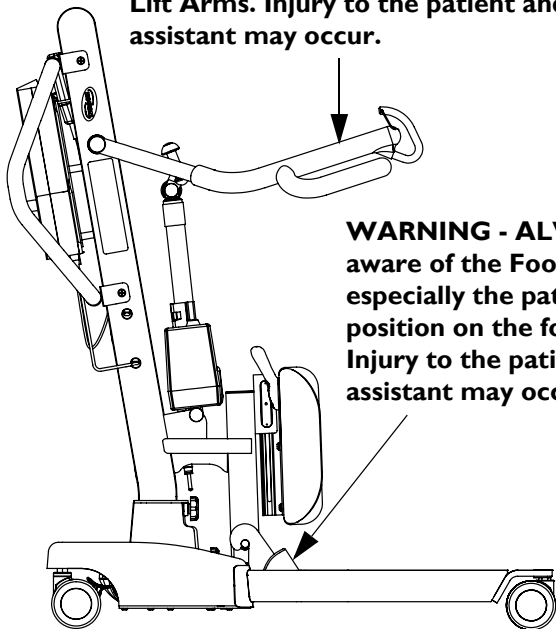
---

## **SYMBOL LEGEND**

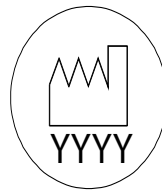


**"ATTENTION, see instructions for use".**

**WARNING - ALWAYS** be aware of the Lift Arms. Injury to the patient and/or assistant may occur.



**WARNING - ALWAYS** be aware of the Footrest, especially the patient's position on the footrest. Injury to the patient and/or assistant may occur.



**"Date of Manufacture"**

**Device contains Lead Acid batteries. DO NOT** dispose of batteries in normal household waste. They **MUST** be taken to a proper disposal site. Contact your local waste management company for information.



# TABLE OF CONTENTS




<b>SYMBOL LEGEND .....</b>	<b>2</b>
<b>SPECIAL NOTES .....</b>	<b>5</b>
<b>LABEL LOCATION .....</b>	<b>6</b>
<b>PRODUCT PARAMETERS .....</b>	<b>7</b>
Roze Stand Up Patient Lift.....	7
<b>SECTION 1—GENERAL GUIDELINES .....</b>	<b>8</b>
Weight Limitation .....	8
Assembling the Lift.....	8
Using the Sling.....	8
Operating the Lift.....	8
Lifting the Patient .....	9
Transferring the Patient.....	9
Performing Maintenance.....	9
<b>SECTION 2—ASSEMBLY .....</b>	<b>10</b>
Assembling the Patient Lift.....	10
Assembling the Mast Assembly to the Base.....	10
Assembling the Knee Pad to the Mast Assembly.....	10
Assembling the Foot Plate to the Mast Assembly.....	10
Attaching the Battery Charger Mounting Bracket to the Wall.....	11
Attaching the Battery Charger to the Mast Assembly .....	11
<b>SECTION 3— OPERATION .....</b>	<b>12</b>
Operating the Patient Lift.....	12
Locking/Unlocking the Rear Casters.....	12
Raising/Lowering the Patient Lift.....	12
Closing/Opening the Legs.....	12
Using the Emergency Stop.....	12
Activating a Mechanical Emergency Release .....	13
Primary Emergency Release .....	13
Secondary Emergency Release .....	13
Charging the Battery .....	13
<b>SECTION 4—LIFTING THE PATIENT .....</b>	<b>14</b>
Positioning the Stand Up Lift.....	14
Lifting the Patient .....	15
Moving the Patient .....	17
<b>SECTION 5—TRANSFERRING THE PATIENT .....</b>	<b>18</b>
Transferring to a Commode.....	19
Transferring to a Wheelchair.....	20
Transferring to a Bed .....	20

## TABLE OF CONTENTS

<b>SECTION 6—TROUBLESHOOTING .....</b>	<b>21</b>
<b>SECTION 7—MAINTENANCE .....</b>	<b>22</b>
Maintenance Safety Inspection Checklist.....	22
Cleaning the Sling and the Lift.....	23
Detecting Wear and Damage.....	23
Lubricating the Lift.....	23
Replacing the Electric Actuator .....	23
Replacing the Leg Actuators.....	24
Adjusting the Knee Pad Height.....	25
<b>LIMITED WARRANTY .....</b>	<b>26</b>

## SPECIAL NOTES

Signal words are used in this manual and apply to hazards or unsafe practices which could result in personal injury or property damage. Refer to the table below for definitions of the signal words.

SIGNAL WORD	MEANING
 <b>DANGER</b>	Danger indicates an imminently hazardous situation which, if not avoided, will result in death or serious injury.
 <b>WARNING</b>	Warning indicates a potentially hazardous situation which, if not avoided, could result in death or serious injury.
 <b>CAUTION</b>	Caution indicates a potentially hazardous situation which, if not avoided, may result in property damage or minor injury or both.

### **NOTICE**

**THE INFORMATION CONTAINED IN THIS DOCUMENT IS SUBJECT TO CHANGE WITHOUT NOTICE.**

### **RADIO FREQUENCY INTERFERENCE**


Most electronic equipment is influenced by Radio Frequency Interference (RFI). **CAUTION** should be exercised with regard to the use of portable communication equipment in the area around such equipment. If RFI causes erratic behavior, **PUSH the RED Emergency Stop Button IMMEDIATELY. DO NOT** turn the Red Emergency Stop Button **OFF** while transmission is in progress.

### **MAINTENANCE**

Maintenance **MUST** be performed **ONLY** by qualified personnel.

# LABEL LOCATION

**⚠ WARNING**

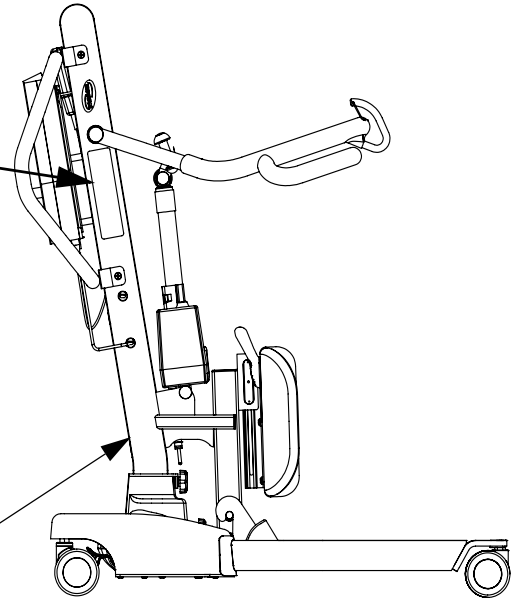


**BEFORE** using the Patient Lift, **READ** and **UNDERSTAND** the Owner's Manual for proper operation and safety procedures.

**⚠ WARNING**

**WEIGHT LIMITATION 450 lbs.**  
 The Invacare Patient Lift is **NOT** a transport device.  
**DO NOT** roll casterbase over uneven surfaces that may cause the Patient Lift to tip over.  
**DO NOT** lock the casters of the Patient Lift when lifting an individual. Casters **MUST** be left unlocked to allow the Patient Lift to stabilize during lifting procedures.  
**USE ONLY INVACARE SLINGS** and **LIFT ACCESSORIES**.  
**USE ONLY** the appropriate Patient Lift components for maintenance and replacement.  
 Refer to Owner's Manual for periodic maintenance procedures.

Customer Service:  
 1-800-333-6900  
 1154560 REV. B



**⚠ WARNING** Risk of injury or damage. Only use the Roze mast with this base.

**⚠ ATTENTION** Risque de blessure ou de dommages. Utiliser exclusivement le mat Roze avec cette base.

**⚠ ADVERTENCIA** Riesgo de lesiones o daños. Utilice únicamente el mástil de Roze en esta base.

**⚠ ADVARSEL** Risiko for ulykke eller skade. Bruk kun Roze mast på dette understell.

**⚠ ADVARSEL** Risiko for ulykke eller skade. Anvend kun masten til Roze til denne base.

**⚠ WARNUNG** Verletzungsgefahr oder Gefahr der Beschädigung. Den Roze Mast nur mit dieser Basis benutzen.

P/N 1171782 Rev A

NOTE: Sling Size label is located on cross bar (not shown).

**Sling Sizes**



Small Navy    Medium Purple    Large Green    XL Blue    XXL Black

**⚠ WARNING**  
**USE ONLY INVACARE SLINGS** and **LIFT ACCESSORIES**.  
 1154553 REV. A

# PRODUCT PARAMETERS

## Roze Stand Up Patient Lift

Height at Sling Hook-up - MAX.:	63.5 inches
Height at Sling Hook-up - MIN.:	37 inches
Base Width OPEN:	45 inches
Base Width CLOSED:	26 inches
Base Height (Clearance):	4.8 inches
Base Length:	40.8 inches
Overall Height:	49.1 inches
Overall Length:	44 inches
Overall Width:	26 inches
Caster Size (FRONT/REAR):	4.0 inches
Sling Options:	Standing or Transfer
Sling Material:	Polyester
Weight Capacity:	450 lbs
Weight Out of Carton:	117 lbs
Battery:	24V DC (RCHBL)
Charger Input:	100-240V AC
Charger Output/Charging Time:	29.5V DC Max 6 hours
Audio/Visual Low Battery Alarm:	Yes
Motor Safety Devices:	Anti-Entrapment
*Approx. Lifts per Charge:	*100-200 Cycles per charge
Limited Warranty Lift/Electronics:	5 Years/2 Years
Emergency Stop Button:	Yes

\*NOTE: Varies depending upon load and stroke.

## SECTION I—GENERAL GUIDELINES

---

### **⚠ WARNING**

**SECTION I - GENERAL GUIDELINES contains important information for the safe operation and use of this product.**

---

Check all parts for shipping damage before using. In case of damage, DO NOT use the equipment. Contact the Dealer for further instructions.

The Invacare patient lift is NOT a transport device. It is intended to transfer an individual from one seated surface to another (such as a bed to a wheelchair).

DO NOT attempt any transfer without approval of the patient's physician, nurse or medical assistant. Thoroughly read the instructions in this Owner's Manual, observe a trained team of experts perform the lifting procedures and then perform the entire lift procedure several times with proper supervision and a capable individual acting as a patient.

Invacare Stand Assist and Transfer slings are specifically designed to be used in conjunction with Invacare patient lifts. Slings and accessories designed by other manufacturers are not to be utilized as a component of Invacare's patient lift system. Use of these products is prohibited and will void the lift's warranty. Use the sling that is recommended by the individual's doctor, nurse or medical assistant for the comfort and safety of the individual that is being lifted.

If the patient lift is used in the area of a shower or bath, ensure that the patient lift is wiped clean of any moisture after use. DO NOT store the lift in a damp area or in a damp condition. Periodically inspect all components of the patient lift for signs of corrosion. Replace all parts that are corroded or damaged.

### **Weight Limitation**

DO NOT exceed maximum weight limitation of the patient lift. The weight limitation for the Roze Patient Lift is 450 lbs.

### **Assembling the Lift**

DO NOT overtighten mounting hardware. This will damage mounting brackets.

### **Using the Sling**

Individuals that use the Stand Assist Sling MUST be able to support the majority of their own weight, otherwise injury may occur.

Stand Assist Slings: DO NOT use the stand assist sling in combination with the patient lift as a transport device. It is intended to transfer an individual from one resting surface to another (such as a bed to a wheelchair).

Stand Assist Slings: Before lifting the patient, make sure the bottom edge of the stand assist sling is positioned on the lower back of the patient and the patient's arms are outside the stand assist sling.

Stand Assist Slings: The belt MUST be snug, but comfortable on the patient, otherwise the patient can slide out of the sling during transfer, possibly causing injury.

Transfer Slings: Before lifting the patient, make sure the bottom edge of the transfer sling is at the base of the spine and the patient's arms are outside the transfer sling.

Transfer Slings: DO NOT raise the patient to a full standing position while using the transfer sling, otherwise injury may occur.

After each laundering (in accordance with instructions on the sling), inspect sling(s) for wear, tears, and loose stitching.

Bleached, torn, cut, frayed, or broken slings are unsafe and could result in injury. Discard immediately.

DO NOT alter slings.

Be sure to check the sling attachments each time the sling is removed and replaced, to ensure that it is properly attached before the patient is removed from a stationary object (bed, chair or commode).

If the patient is in a wheelchair, secure the wheel locks in place to prevent the chair from moving forwards or backwards.

### **Operating the Lift**

Make sure there is an audible click when mounting battery on the battery charger to confirm proper mounting. Otherwise, injury or damage may occur.

Use the handles to push or pull the patient lift.



## Lifting the Patient

Before positioning the legs of the stand up lift around the patient, make sure that the patient's feet are out of the way of the foot plate, otherwise injury may occur.

Adjustments for safety and comfort should be made before moving the patient. Patient's arms should be outside of the sling straps.

Before lifting a patient from a stationary object (wheelchair, commode or bed), slightly raise the patient off the stationary object and check that all sling attachments are secure. If any attachment is not correct, lower the patient and correct the problem, then raise the patient and check again.

During transfer, with the patient suspended in a sling attached to the lift, **DO NOT** roll caster base over uneven surfaces that would create an imbalance of the patient lift and could cause the patient lift to tip over. Use steering handle on the mast at **ALL** times to push or pull the patient lift.

Invacare recommends locking the rear swivel casters **ONLY** when positioning or removing the sling (stand assist or transfer) from around the patient.

Invacare does **NOT** recommend locking of the rear casters of the patient lift when lifting an individual. Doing so could cause the lift to tip and endanger the patient and assistants. Invacare **DOES** recommend that the rear casters be left unlocked during lifting procedures to allow the patient lift to stabilize itself when the patient is initially lifted from a chair, bed or any stationary object.

## Transferring the Patient

Before transferring, check that the product's weight capacity can withstand the patient's weight.

Wheelchair wheel locks **MUST** be in a locked position before lowering the patient into the wheelchair for transport.

## Performing Maintenance

Regular maintenance of patient lifts and accessories is necessary to assure proper operation.

After the first 12 months of operation, inspect all pivot points and fasteners for wear. If the metal is worn, the parts **MUST** be replaced. Perform this inspection every six months thereafter.

**DO NOT** overtighten mounting hardware. This will damage mounting brackets.

Casters and axle bolts require inspections every six months to check for tightness and wear.

## SECTION 2—ASSEMBLY

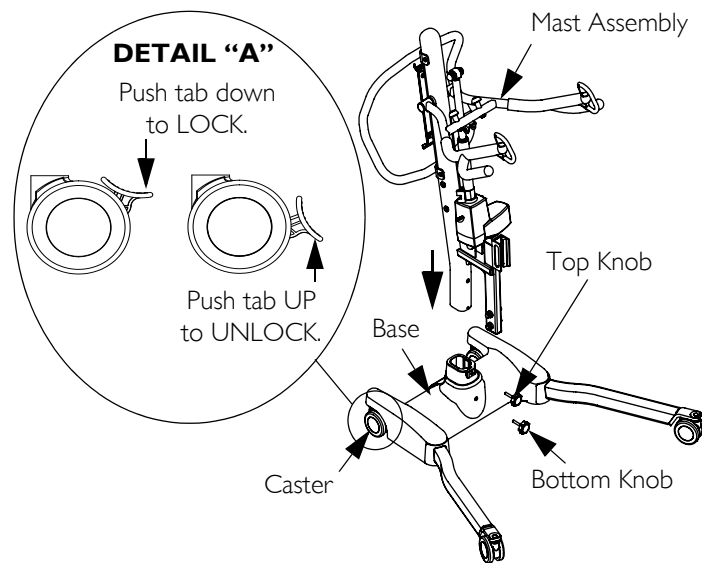
### Assembling the Patient Lift

#### Assembling the Mast Assembly to the Base

*NOTE: The mast assembly may be removed from the base for storage or transporting. The mast assembly MUST be properly secured to the base assembly before use.*

*NOTE: For this procedure, refer to FIGURE 2.1.*

1. Put the base on a level surface so all casters make contact with the floor.
2. Lock the rear casters (Detail "A").
3. Unscrew the top knob and remove it from the base.
4. Loosen the bottom knob, but leave it screwed into the base.
5. Connect the mast assembly cable (not shown) to the base cable (not shown).
6. Put the tube of the mast assembly into the hole in the base.
7. While supporting the mast assembly, tighten the bottom plastic knob.
8. Screw the top plastic knob into the hole in the base.



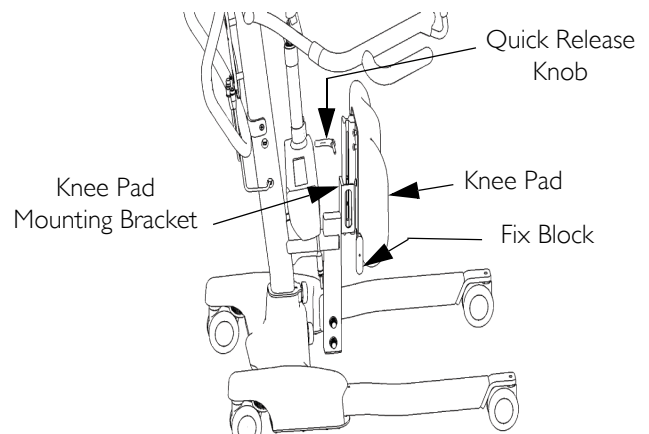
**FIGURE 2.1** Assembling the Mast Assembly to the Base

#### Assembling the Knee Pad to the Mast Assembly

*NOTE: For this procedure, refer to FIGURE 2.2.*

*NOTE: The knee pad may be removed from the patient lift for storage or transporting. The knee pad MUST be properly secured to the mast assembly before use.*

1. Push the knee pad down into position on the knee pad mounting bracket on the mast assembly.
2. Put the fix block in place on the knee pad mounting bracket.
3. Insert the quick release knob through the mounting bracket, kneed pad and fix block.
4. Tighten the quick release knob.

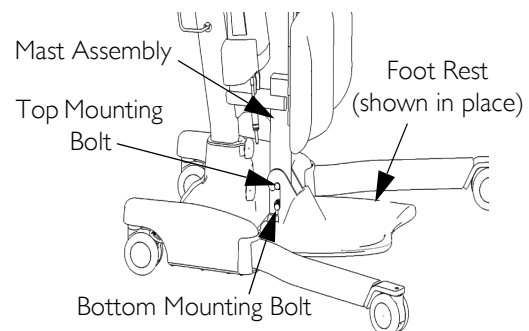


**FIGURE 2.2** Assembling the Knee Pad to the Mast Assembly

#### Assembling the Foot Plate to the Mast Assembly

*NOTE: For this procedure, refer to FIGURE 2.3.*

1. Rotate the foot plate up and place the hooks on the foot plate onto the top mounting bolts in the mast assembly.
2. Rotate the foot plate down towards the mast assembly. The bottom of the foot plate will rest against the bottom bolts on the mast assembly.
3. Ensure that the foot plate is level and secure.



**FIGURE 2.3** Assembling the Foot Plate to the Mast Assembly

## Attaching the Battery Charger Mounting Bracket to the Wall

NOTE: For this procedure, refer to FIGURE 2.4.

1. Place the battery charger mounting bracket on the wall at the desired position.
2. With a pencil, mark the middle hole position.
3. Measure down 6½ inches from the pencil mark and drill one mounting hole.
4. Install the bottom mounting screw until there is an approximate 1/8-inch gap between the screw head and the wall.
5. Put the battery charger mounting bracket onto the bottom mounting screw.
6. Drill the other two mounting holes.
7. Screw the mounting screws through the battery charger mounting bracket and into the wall. Tighten securely.

### ⚠ CAUTION

**Make sure there is an audible click when mounting battery on the battery charger to confirm proper mounting. Otherwise, injury or damage may occur.**

8. Put the battery charger in place on the mounting bracket.
9. Plug the battery charger into an electrical outlet.

NOTE: An LED will illuminate when power is applied to battery charger.

## Attaching the Battery Charger to the Mast Assembly

### ⚠ WARNING

**If the battery charger is attached to the mast assembly and is plugged into a wall outlet, make sure to unplug the battery charger from the wall outlet BEFORE using the patient lift. Failure to unplug the battery charger may result in injury or damage.**

NOTE: For this procedure, refer to FIGURE 2.5.

1. Remove the two mylar pieces covering the mounting holes on the back of the mast assembly.
2. Insert the hook screws into mounting holes.
3. Tighten the hook screws.
4. Mount the battery charger mounting bracket on the hook screws.
5. Charge the battery. Refer to [Primary Emergency Release](#) on page 13.

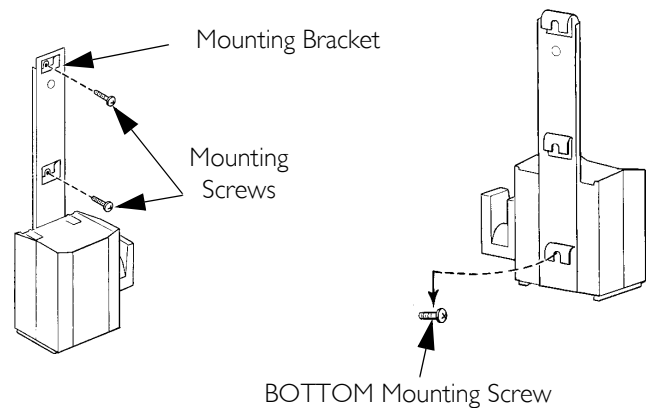


FIGURE 2.4 Attaching the Battery Charger Mounting Bracket to the Wall

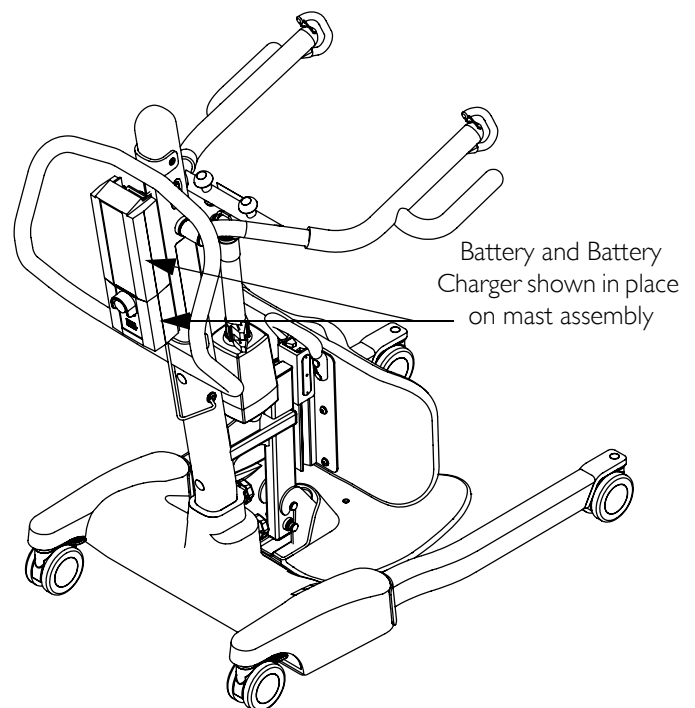


FIGURE 2.5 Attaching the Battery Charger to the Mast Assembly

## SECTION 3— OPERATION

### ⚠ WARNING

**DO NOT** attempt to transfer a patient without approval of the patient's physician, nurse, or medical assistant. Thoroughly read the instructions in this owner's manual, observe a trained team of experts performing the lifting procedures and then perform the entire lift procedure several times with proper supervision and a capable individual acting as a patient.

The legs of the stand up lift **MUST** be in the maximum open position for optimum stability and safety. If the patient is in a sling and it becomes necessary to move through a narrow passage, close the legs of the stand up lift only as long as it takes to move through the passage. When the stand up lift is through the passage, return the legs to the maximum open position.

*NOTE: The use of the patient lift by one assistant should be based on the evaluation of the health care professional for each individual case.*

### Operating the Patient Lift

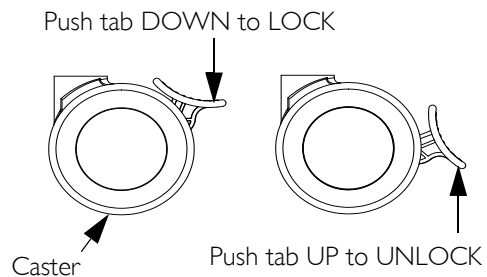
*NOTE: For this procedure, refer to FIGURE 3.1.*

#### Locking/Unlocking the Rear Casters

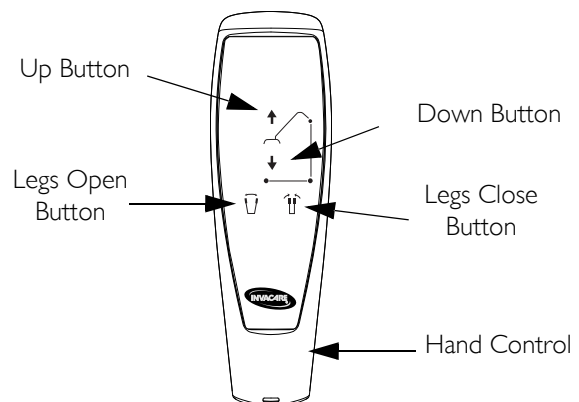
*NOTE: For this procedure, refer to Detail "A".*

- To Lock the Caster:  
Push tab down.
- To Unlock the Caster:  
Push tab up.

#### DETAIL "A" LOCKING/UNLOCKING THE REAR CASTERS



#### DETAIL "B" - HAND CONTROL DETAILS



#### Raising/Lowering the Patient Lift

*NOTE: For this procedure, refer to Detail "B".*

- To Raise the Patient Lift:  
Press the up (↑) button on the hand control.

*NOTE: If the patient lift is raised to the highest level, it may be necessary to pull down gently on the lift arms before the mast will begin to lower. Pull down gently on both arms at the same time to avoid making the lift unstable.*

- To Lower the Patient Lift:  
Press the down button (↓) on the hand control.

#### Closing/Opening the Legs

*NOTE: For this procedure, refer to Detail "B".*

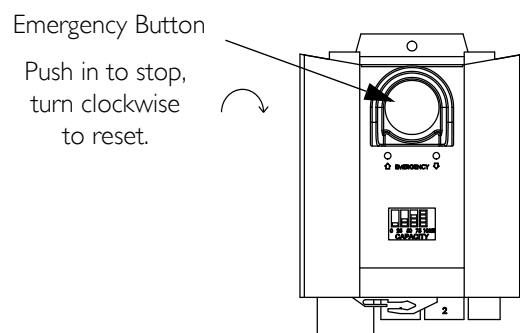
- To Close the Legs:  
Press the close button on the hand control.
- To Open the Legs:  
Press the open button on the hand control.

#### Using the Emergency Stop

*NOTE: For this procedure, refer to Detail "C".*

- Push the RED emergency button in to stop the lift arms from raising or lowering.
- To reset, rotate the emergency button clockwise.

#### DETAIL "C" - EMERGENCY STOP



**FIGURE 3.1** Operating the Patient Lift

## Activating a Mechanical Emergency Release

### Primary Emergency Release

NOTE: For this procedure, refer to FIGURE 3.2.

NOTE: This procedure will bring the boom down or lift it up if the hand control is not functioning properly.

To activate the primary emergency release, insert a pen into the hole labeled Emergency Up or Emergency Down on the control box.

### Secondary Emergency Release

NOTE: For this procedure, refer to FIGURE 3.3.

NOTE: All patient lift actuators are equipped with a mechanical emergency release. The mechanical release will enable the actuator to retract without power.

NOTE: Use the primary emergency release first before using the secondary emergency release procedure. This procedure should only be used if the primary emergency release procedure is not functioning or is unreachable.

NOTE: The lift MUST be under a load for the mechanical release to function.

To activate the secondary emergency release, pull up on the RED emergency grip and pull down on the boom at the same time.

## Charging the Battery

NOTE: For this procedure, refer to FIGURE 3.4.

NOTE: Invacare recommends the battery be recharged daily to prolong battery life.

NOTE: An audible alarm will sound when battery is low.

1. Lift UP on the handle on the back of the battery.
2. Lift the battery up and away from the control box.

### ⚠ CAUTION

**Make sure there is an audible click when mounting battery on the battery charger. Otherwise, injury or damage may occur.**

3. Place the battery on the battery charger. Push the top of the battery against the mounting bracket until there is an audible click.

NOTE: The charge LED will illuminate. When charged, the LED will stop illuminating.

NOTE: It will take approximately four hours to charge a battery that requires a full charge.

4. Lift UP on the handle on the back of the battery.
5. Lift the battery up and away from the battery charger.

### ⚠ CAUTION

**Make sure there is an audible click when mounting battery on the battery charger. Otherwise, injury or damage may occur.**

6. Place the battery on the control box. Push the top of the battery against the mounting bracket until there is an audible click.

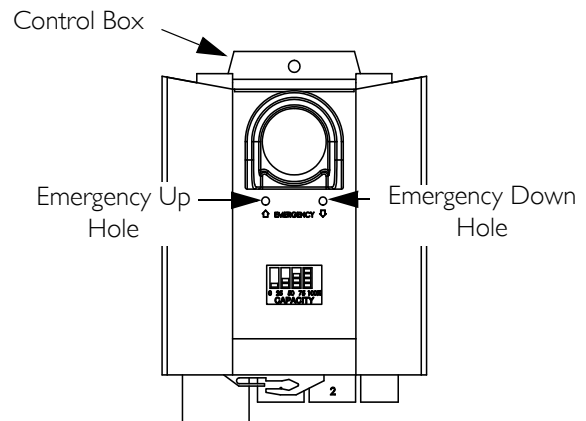


FIGURE 3.2 Primary Emergency Release

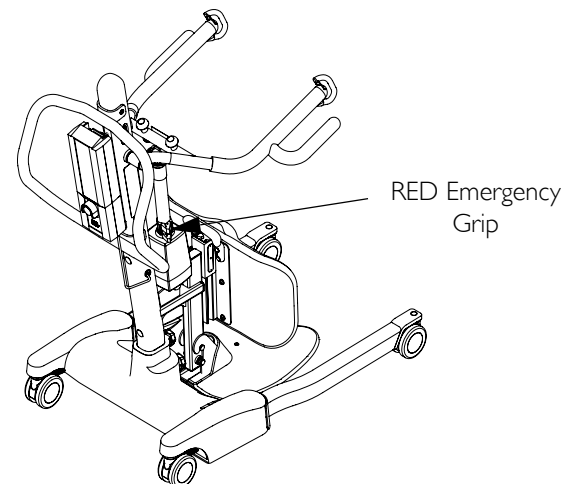


FIGURE 3.3 Primary Emergency Release

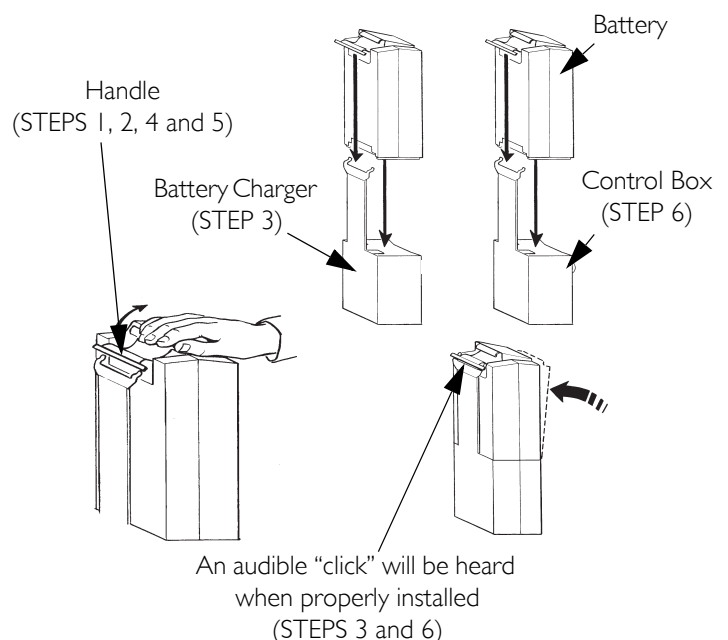


FIGURE 3.4 Primary Emergency Release

## SECTION 4—LIFTING THE PATIENT

---

### **WARNING**

**DO NOT** exceed the maximum weight limitation of 450 lbs.

**DO NOT** attempt to any transfer without approval of the patient's physician, nurse or medical assistant.

**ALWAYS** keep hands and fingers clear of moving parts to avoid injury.

Invacare patient slings are made specifically for use with Invacare patient lifts. For the safety of the patient, **DO NOT** intermix patient slings and patient lifts of different manufacturers.

Individuals that use the standing patient sling **MUST** be able to support the majority of their own weight, otherwise injury may occur.

Before lifting the patient, make sure the bottom edge of the standing patient sling is positioned on the lower back of the patient and the patient's arms are outside the standing patient sling. The belt **MUST** be snug, but comfortable on the patient, otherwise the patient can slide out of the patient sling during transfer possibly causing injury.

After **EACH** laundering (in accordance with laundering instructions on the patient sling), inspect the patient sling for wear, tears and loose stitching. Discard any patient sling that meets these criteria **IMMEDIATELY**.

Bleached, torn, cut, frayed or broken slings are unsafe and their use could result in injury or damage. Discard any patient sling that meets these criteria **IMMEDIATELY**.

**DO NOT** alter patient slings.

**DO NOT** move the patient if the patient sling is not properly connected to the attachment points on the patient lift. Check that the patient sling is properly connected to the attachment points **BEFORE** lifting the patient.

During transfer, with the patient suspended in the patient sling, **DO NOT** roll the base of the patient lift over any uneven surfaces that would cause the patient lift to become unstable.

Use the steering handle on the mast assembly at all times to push or pull the stand up lift.

---

*NOTE: Refer to the patient sling Owner's Manual, P/N 102891, for more information.*

### **Positioning the Stand Up Lift**

*NOTE: For this procedure, refer to FIGURE 4.1 on page 15.*

*NOTE: Refer to [General Guidelines](#) on page 8 before proceeding and observe all warnings indicated.*

*NOTE: Before positioning the legs of the patient lift under a bed, make sure that the area is clear of any obstructions.*

---

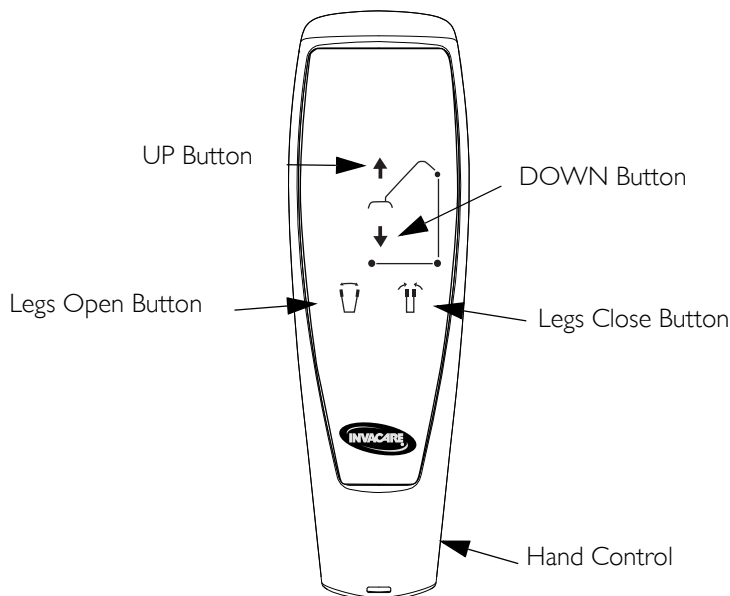
### **WARNING**

The legs of the stand up lift **MUST** be in the maximum open position for optimum stability and safety. If it is necessary to close the legs to maneuver the stand up lift under a bed, close the legs only as long as it takes to position the stand up lift over the patient and lift the patient off the surface of the bed. When the legs of the stand up lift are no longer under the bed, return the legs to the maximum open position.

---

1. Press the legs open button on the hand control to open the legs of the stand up lift to the maximum open position.
-

2. Position the stand up lift using the mast handle.
3. Press the down arrow button on the hand control to lower the lift arms for easy attachment to the sling.
4. Lower the patient lift for easy attachment of the patient sling.



**FIGURE 4.1** Hand Control Buttons

## Lifting the Patient

### **⚠ WARNING**

**DO NOT** exceed the maximum weight limitation of 450 lbs.

Individuals that use the standing patient sling **MUST** be able to support the majority of their own weight, otherwise injury may occur.

**DO NOT** lock the rear casters of the stand up lift when lifting an individual. Locking the rear casters could cause the stand up lift to tip and endanger the patient and assistants. Unlocking the rear casters during lifting procedures allows the lift to stabilize itself while the patient is initially lifted from a wheelchair, bed of any stationary object.

**DO NOT** move the patient if the sling is not properly attached to the attachment points on the stand up lift. Make sure that the sling is properly attached **BEFORE** lifting the patient. If any attachments are not properly in place, correct the problem. When the sling is elevated a few inches off the stationary surface and before moving the patient, check again to make sure the sling and all attachments are securely in place. If any problem is found, lower the patient back onto the stationary surface and correct the problem - otherwise, injury or damage may occur.

**Adjustments for safety and comfort should be made before moving the patient.**

**Invacare patient slings are made specifically for use with Invacare patient lifts. For the safety of the patient, DO NOT intermix patient slings and patient lifts of different manufacturers.**

*NOTE: For this procedure, refer to FIGURE 4.2 on page 16.*

*NOTE: The patient MUST be in a seated position first. Use the head section of the bed to get the patient upright then move legs over the side of the bed.*

1. Instruct the patient to hold onto the hand grips on both sides of the stand up lift (Detail "A" of FIGURE 4.2).
2. Instruct the patient to lean back into the standing or transfer sling.

**⚠ WARNING**

**Standing Slings - Before lifting the patient, make sure the bottom edge of the standing sling is positioned on the lower back of the patient and the patient's arms are outside the sling.**

**Transfer Slings - Before lifting the patient, make sure the bottom edge of the transfer sling is at the base of the spine and the patient's arms are outside the sling.**

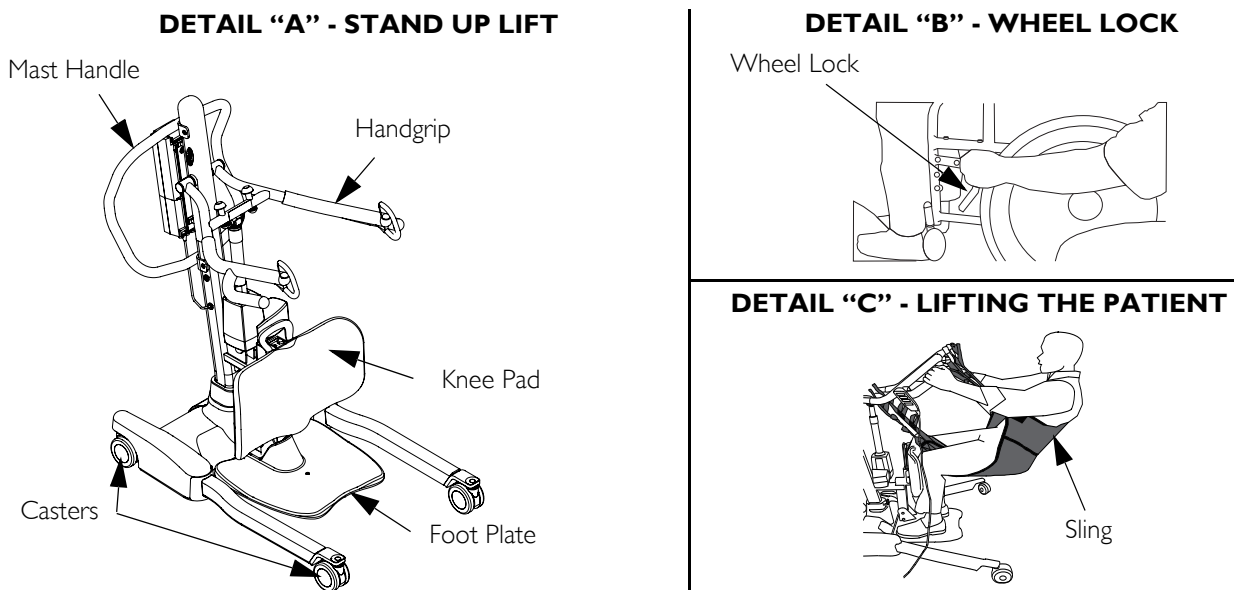
3. Ensure the following:
  - A. The patient's knees are secure against the knee pad.
  - B. The patient's feet are properly positioned on the foot plate.
  - C. Slings:
    - Standing Sling - the bottom edge of the standing sling is positioned on the patient's lower back.
    - Transfer Sling - the bottom edge of the transfer sling is at the base of the patient's spine.
    - Either Sling Style - the patient's arms are outside the sling.
  - D. The rear casters are unlocked.
  - E. The legs are in the maximum open position.

**⚠ WARNING**

**If transferring a patient from a wheelchair, the wheelchair wheel locks **MUST** be in the locked position before lowering the patient into the wheelchair. Otherwise, injury may occur.**

4. If transferring from a wheelchair, lock the wheel locks on the wheelchair (Detail "B" of FIGURE 4.2).
5. Press the UP arrow button on the hand control to raise the patient above the surface (bed, wheelchair or commode). The patient's weight will be fully supported by the stand up lift (Detail "C" of FIGURE 4.2).

*NOTE: The lower center of gravity provides stability making the patient feel more secure and the lift easier to move.*



**FIGURE 4.2** Lifting the Patient



## Moving the Patient

---

### **⚠ WARNING**

The legs of the stand up lift **MUST** be in the maximum open position for optimum stability and safety. If the patient is in a sling and it becomes necessary to move through a narrow passage, close the legs of the stand up lift only as long as it takes to move through the passage. When the stand up lift is through the passage, return the legs to the maximum open position.

**DO NOT**, during transfer of a patient suspended in the lift sling, roll caster base over uneven surfaces that would create an imbalance of the lift. This could cause the lift to tip over. Use the mast handle at all times to push or pull the lift.

---

1. Ensure the legs of the stand up lift are in the maximum open position. If not, press the OPEN LEGS button on the hand control to move the legs to the maximum open position.
2. Move the stand up lift away from the surface they were lifted from.
3. Slowly move the patient to the desired surface.

## SECTION 5—TRANSFERRING THE PATIENT

---

### **⚠ WARNING**

**DO NOT** attempt any transfer of a patient without the approval of the patient's physician, nurse or medical assistant.

**DO NOT** move the patient if the sling is not properly connected to the attachment points of the stand up lift. Check that the sling is properly connected to the attachment points prior to lifting a patient. If any attachments are not properly in place, correct the problem. When the sling is elevated a few inches off the stationary surface and before moving the patient, check again to make sure that all sling attachments are secure. If any attachments are not properly in place, lower the patient back onto the stationary surface and correct this problem - otherwise, injury or damage may occur.

Adjustments for safety and comfort should be made before moving the patient. The patient's arms should be outside the straps.

**DO NOT** use slings and stand up lifts of different manufacturers. Invacare slings are made specifically for use with Invacare stand up lifts. Otherwise, injury or damage may occur.

**DO NOT** lock the rear casters of the stand up lift when lifting an individual. Locking the rear casters could cause the stand up lift to tip and endanger the patient and assistants.

The legs of the stand up lift **MUST** be in the maximum open position for optimum stability and safety. If the patient is in a sling and it becomes necessary to move through a narrow passage, close the legs of the stand up lift only as long as it takes to move through the passage. When the stand up lift is through the passage, return the legs to the maximum open position. If it is necessary to close the legs to maneuver the stand up lift under a bed, close the legs only as long as it takes to position the stand up lift over the patient and lift the patient off the surface of the bed. When the legs of the stand up lift are no longer under the bed, return the legs to the maximum open position.

**Be sure to check the sling attachments each time the sling is removed and replaced to ensure that it is properly attached before the patient is removed from a surface.**

---

The use of one assistant is based on the evaluation of the health care professional for each individual case.

## Transferring to a Commode

### **⚠ WARNING**

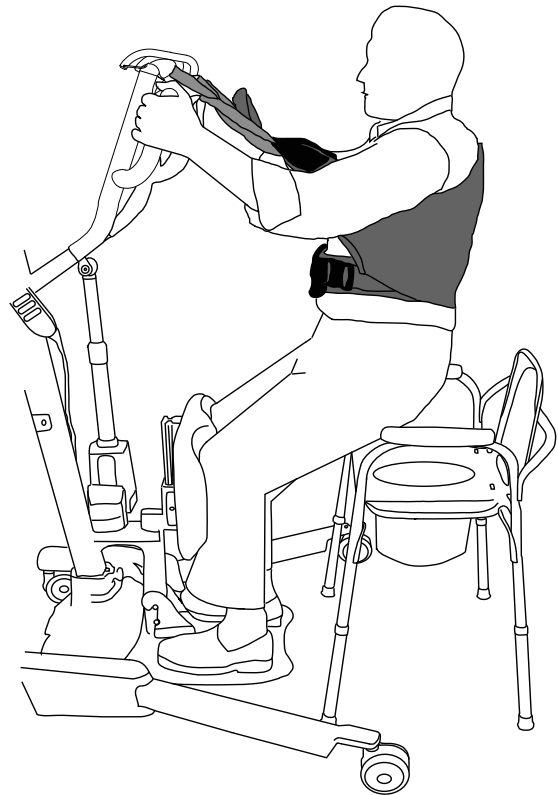
**Invacare recommends locking the rear swivel casters only when positioning or removing the sling from around the patient.**

*NOTE: For this procedure, refer to FIGURE 5.1.*

1. Lift the patient from the side of the bed.
2. Press the UP button on the hand control to elevate the patient high enough to clear the arms of the commode chair. Their weight will be supported by the stand up lift.
3. Guide the patient onto the commode chair. This may require two assistants.
4. Press the down arrow button to lower the patient onto the commode chair.
5. Lock the rear swivel casters on the stand up lift.
6. Perform one of the following:
  - Standing Sling - unhook the standing sling from the attachment points on the stand up lift.
  - Transport Sling -
    - i. Unhook the transport sling from the bottom attachment points on the stand up lift.
    - ii. Lift up on the patient's legs and remove the thigh supports from underneath the patient.
    - iii. If desired, unhook the transport sling from the top attachment points on the stand up lift.

*NOTE: The patient can remain in the upper portion of the transfer sling while using the commode.*

7. Instruct or assist the patient in lifting their feet off the foot plate.
8. Remove the sling from around the patient.
9. Unlock the rear casters and pull the stand up lift away from the commode.
10. When complete, recheck the sling for correct attachments.
11. To lift the patient from the commode.



**FIGURE 5.1** Transferring to a Commode

## Transferring to a Wheelchair

NOTE: For this procedure, refer to FIGURE 5.2.

1. Ensure the legs of the lift with the patient in the sling are in the open position. Press the legs open button until in maximum open position.
2. Move the wheelchair into position.
3. Engage the wheel locks of the wheelchair to prevent movement of the chair (Detail "A").

### **⚠ WARNING**

**DO NOT place the patient in the wheelchair if the locks are not engaged. The wheelchair wheel locks MUST be in a locked position before lowering the patient into the wheelchair for transport. Otherwise, injury may result.**

4. Position the patient over the wheelchair (Detail "B").
5. Press the down arrow button and lower the patient into the wheelchair.

### **⚠ WARNING**

**Lock the rear swivel casters ONLY when positioning or removing the sling (standing or transfer) from around the patient. Otherwise, injury may occur.**

6. Lock the rear swivel casters.
7. Unhook the sling from all attachment points on the lift.
8. Instruct patient to lift their feet off the foot plate. Assist the patient if necessary.
9. Remove the sling from around the patient.
10. Unlock the rear casters and pull the stand up lift away from the wheelchair.

## Transferring to a Bed

NOTE: The lower center of gravity provides stability making the patient feel more secure and the lift easier to move.

1. Position the patient as far over the bed as possible.

NOTE: If patient is being transferred from a surface that is lower than the bed, press the up arrow button to raise the patient above the surface of the bed. The patient should be elevated just high enough to clear the bed with their weight fully supported by the lift.

2. Press the down arrow button and lower the patient onto the bed.

### **⚠ WARNING**

**Invacare recommends locking the rear swivel casters ONLY when positioning or removing the sling from around the patient.**

3. Lock the rear swivel casters.
4. Unhook the standing or transport sling from all attachment points on the stand up lift.
5. Instruct the patient to lift their feet off of the foot plate.

NOTE: Assist the patient if necessary.

6. Remove the standing or transport sling from around the patient.
7. Unlock the rear casters and pull the stand up lift away from the bed.

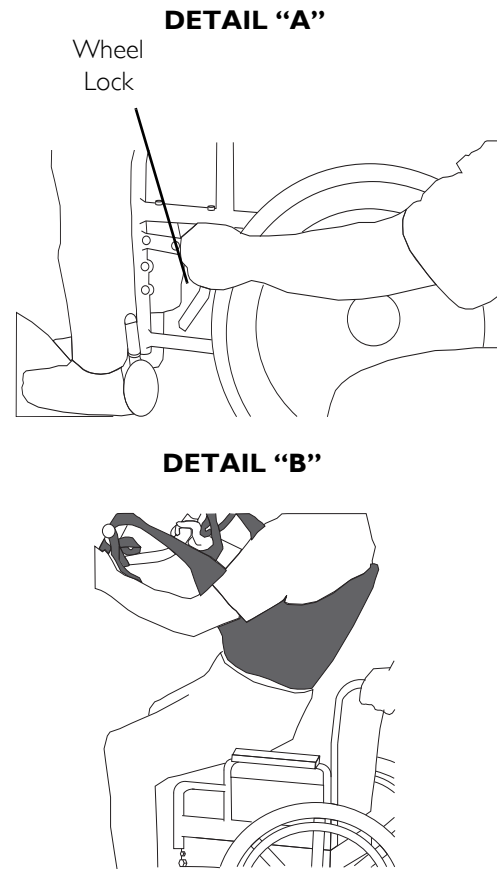


FIGURE 5.2 Transferring the Patient to a Wheelchair

## SECTION 6—TROUBLESHOOTING

SYMPTOMS	FAULTS	SOLUTION
Noisy or dry sound from pivots.	Needs lubrication.	Refer to <u>Lubricating the Lift</u> on page 23.
Electric actuator fails to lift when button is pressed.	Hand-control or actuator connector loose.  Battery low.  RED emergency stop button pressed IN.  Battery not connected properly to control box.  The connecting terminals are damaged.  Electric actuator in need of service or load is too high.	Charge batteries. Refer to <u>Primary Emergency Release</u> on page 13.  Rotate RED emergency stop button CLOCKWISE until it pops out.  Reconnect the battery to the control box. Refer to <u>Primary Emergency Release</u> on page 13.  Replace the battery pack. Refer to <u>Primary Emergency Release</u> on page 13.  Refer to <u>Replacing the Electric Actuator</u> on page 23.
Unusual noise from lift arm actuator.	Actuator is worn or damaged or spindle is bent.	Refer to <u>Replacing the Electric Actuator</u> on page 23.
Lift arms will not lower in uppermost position.	Lift arms require a minimum weight load to lower from the uppermost position.	Pull down slightly on the lift arms.
Legs don't open and close properly.	Leg actuators may be worn or damaged or spindle is bent.	Refer to <u>Replacing the Leg Actuators</u> on page 24.

*NOTE: If problems are not remedied by the suggested means, please contact your dealer or Invacare.*

## SECTION 7—MAINTENANCE

### Maintenance Safety Inspection Checklist

ITEM	INITIALLY	INSTITUTIONAL INSPECT/ADJUST MONTHLY	IN-HOME INSPECT EVERY SIX (6) MONTHS
<b>THE BASE</b> Inspect for missing hardware. Legs open/close with ease. Inspect casters and axle bolts for tightness and wear. Inspect casters for smooth swivel and roll. Inspect wheels are clear of debris.	X X X X X	X X X X X	X X X X X
<b>THE MAST</b> Mast <b>MUST</b> be securely assembled to lift arms. Inspect for bends or deflections.	X X	X X	X X
<b>THE LIFT ARMS AND LINKAGE</b> Check all hardware and attachment points. Inspect for bends or deflections. Inspect bolted joints of lift arms for wear. Inspect to ensure that the lift arms are centered between the base legs.	X X X X	X X X X	X X X X
<b>ELECTRIC ACTUATOR</b> Check for wear or deterioration. (IF DAMAGED, CONTACT DEALER) Cycle to ensure smooth quiet operation.	X X	X X	X X
<b>CLEANING</b> Whenever necessary.	X	X	X
<b>SLINGS</b> CHECK ALL SLING ATTACHMENTS each time it is used to ensure proper connection and patient safety. Inspect sling material for wear. Inspect straps for wear.	X X X	X X X	X X X

*NOTE: Follow the maintenance procedures described in this manual to keep your patient lift in continuous service.*

The Invacare Patient Lift is designed to provide a maximum of safe, efficient and satisfactory service with minimum care and maintenance.

All parts of the Invacare Lift are made of the best grades of steel, but metal to metal contact will wear after considerable use.

There is no adjustment or maintenance of the casters, other than cleaning, lubrication and checking axle and swivel bolts for tightness. Remove all debris, etc. from the wheel and swivel bearings. If any parts are worn, replace these parts IMMEDIATELY.

If you question the safety of any part of the lift, contact your Dealer IMMEDIATELY.

## Cleaning the Sling and the Lift

The sling should be washed regularly in water temperature not exceeding 180°F (82°C) and a biological solution. A soft cloth, dampened with water and a small amount of mild detergent, is all that is needed to clean the patient lift. The lift can be cleaned with non-abrasive cleaners.

## Detecting Wear and Damage

It is important to inspect all stressed parts, such as slings, lifting arm and any pivot for slings for signs of cracking, fraying, deformation or deterioration. Replace any defective parts IMMEDIATELY and ensure that the lift is not used until repairs are made.

## Lubricating the Lift

The Invacare lift is designed for minimum maintenance. However, a six month check and lubrication should ensure continued safety and reliability.

Keep lift and slings clean and in good working order. Any defect should be noted and reported to your dealer as soon as possible.

The casters MUST swivel and roll smoothly. A light grease (waterproof auto lubricant) may be applied to the ball bearing swivel of the casters once a year. Apply more frequently if the casters are exposed to extreme moist conditions.

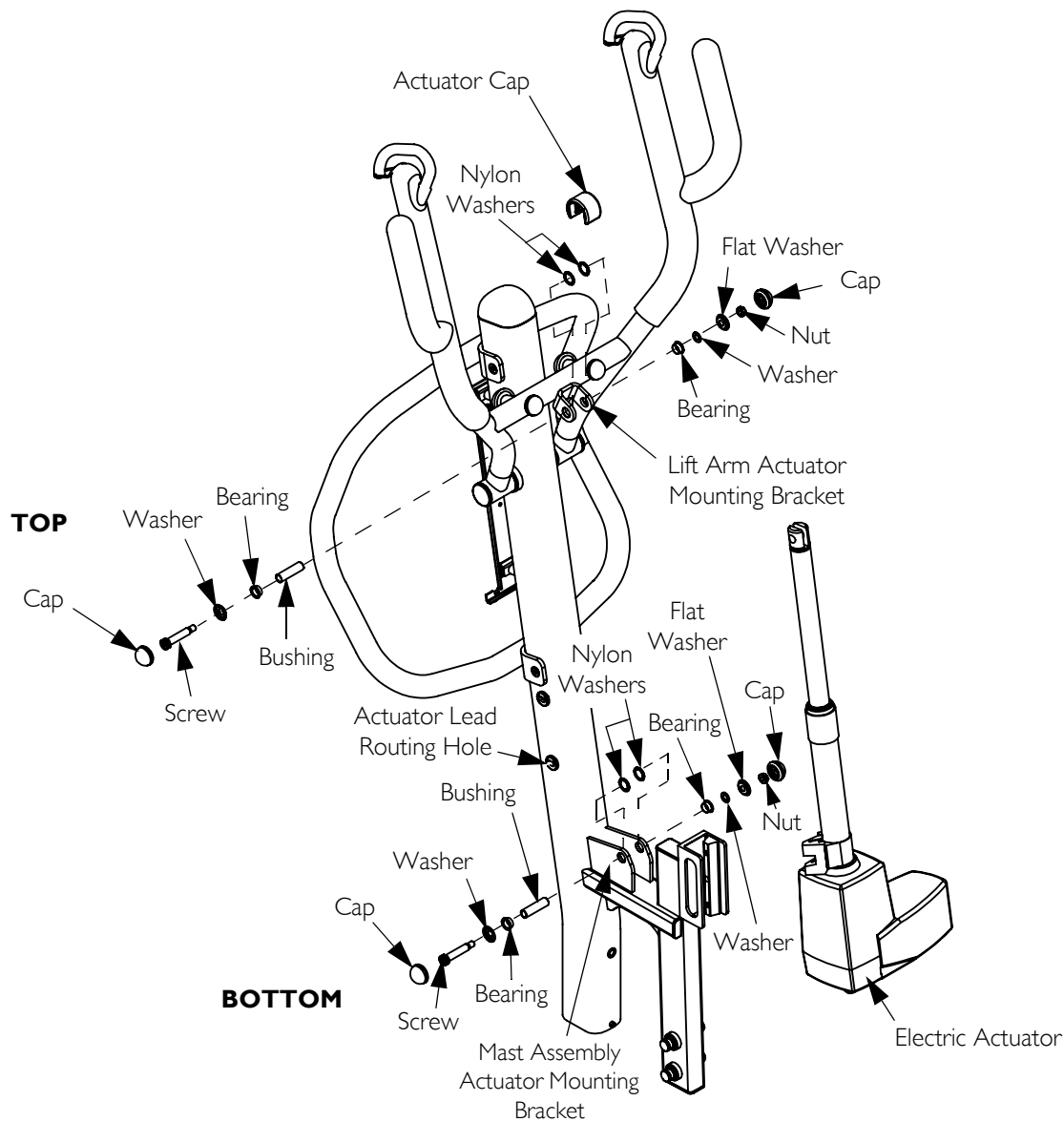
## Replacing the Electric Actuator

*NOTE: For this procedure, refer to FIGURE 7.1 on page 24.*

1. Unplug the electric actuator from the control box on the mast assembly. Thread the actuator lead through the actuator lead routing hole in the mast assembly.
2. Remove the hardware that secures the top of the electric actuator to the lift arm actuator mounting bracket.
  - A. Remove the rubber caps from the nut and screw that attach the electric actuator to the lift arm actuator mounting bracket.
  - B. Remove the screw, washer, bearing, nylon washer, actuator cap, bushing, nylon washer, bearing, washer, flat washer and nut.

*NOTE: The actuator cap will become loose when the attaching hardware is removed. Inspect the actuator cap for damage. Replace the actuator cap if damage is found.*

3. Remove the hardware that secures the bottom of the electric actuator to the mast assembly actuator mounting bracket.
  - A. Remove the rubber caps from the nut and screw that attach the electric actuator to the mast assembly actuator mounting bracket.
  - B. Remove the screw, washer, bearing, nylon washer, bushing, nylon washer, bearing, washer, flat washer, and nut.
4. To replace the electric actuator, reverse STEPS 1-3.



**FIGURE 7.1** Replacing the Electric Actuator

## Replacing the Leg Actuators

*NOTE: For this procedure, refer to FIGURE 7.2 on page 25.*

*NOTE: If the legs of the patient lift do not open and close properly, it may be necessary to replace one or both of the leg actuators.*

1. Test the operation of the legs:
  - Press the CLOSE button on the hand control to close the legs.
  - Press the OPEN button on the hand control to open the legs.
2. While holding on to the mast handles, carefully tip the patient lift back until it rests on the floor.

*NOTE: It is necessary to remove both small base covers before removing the large base cover.*

3. Remove the sixteen screws that attach the small base covers to the base.
4. Remove the eight pan head screws that attach the large base cover to the base.

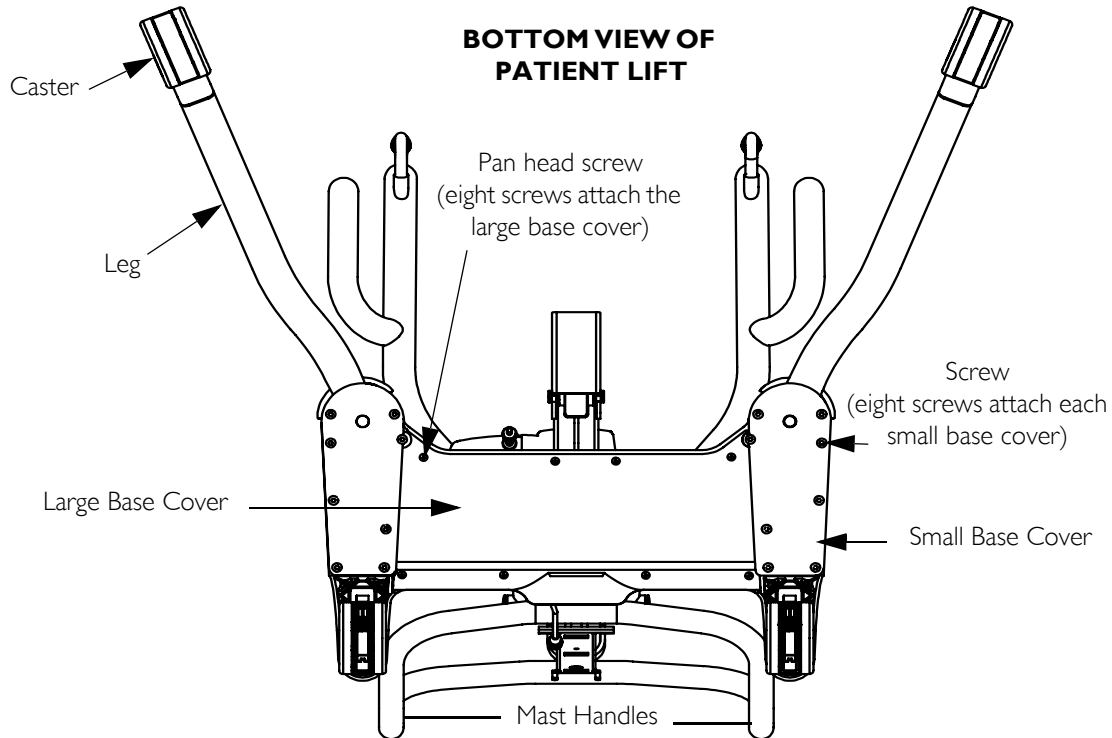
*NOTE: If the left or the right leg of the patient lift does not operate properly, perform the following steps on the side of the base necessary to replace the actuator. If both legs do not operate properly, perform this replacement procedure on both sides of the base.*

5. Locate and disconnect the leg actuator lead wires.



*NOTE: The actuator lead wires will be visible after the large base cover is removed.*

6. Remove the socket head screw and washer that attach the leg actuator to the base.
7. At the other end of the actuator, remove the socket head screw and nut that attach the leg actuator to the leg bracket.
8. If necessary, repeat STEPS 5-7 on the opposite side of the base to remove the other leg actuator.
9. To replace the actuator(s), reverse STEPS 5-7.



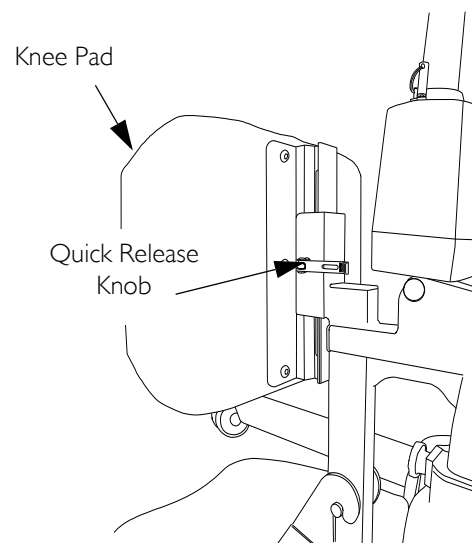
**FIGURE 7.2** Replacing the Leg Actuators

## Adjusting the Knee Pad Height

*NOTE: For this procedure, refer to FIGURE 7.3.*

*NOTE: When adjusted properly, the patient's knee will make contact at the center of the knee pad.*

1. While supporting the knee pad, disengage the quick release knob on the side of the knee pad mounting bracket.
2. Choose a height adjustment that will be comfortable for the patient and will provide the necessary support. Engage the quick release knob into position until the knee pad is secure in place.



**FIGURE 7.3** Adjusting the Knee Pad Height

## LIMITED WARRANTY

**PLEASE NOTE: THE WARRANTY BELOW HAS BEEN DRAFTED TO COMPLY WITH FEDERAL LAW APPLICABLE TO PRODUCTS MANUFACTURED AFTER JULY 4, 1975.**

This warranty is extended only to the original purchaser/user of our products.

This warranty gives you specific legal rights and you may also have other legal rights which vary from state to state.

Invacare warrants the products manufactured to be free from defects in materials and workmanship for a period of five years on the lift and two years on the electric components from the date of purchase. If within such warranty period any such product shall be proven to be defective, such product shall be repaired or replaced, at Invacare's option, with refurbished or new parts. This warranty does not include any labor or shipping charges incurred in replacement part installation or repair of any such product. Product repairs shall not extend this warranty - coverage for repaired product shall end when this limited warranty terminates. Invacare's sole obligation and your exclusive remedy under this warranty shall be limited to such repair and/or replacement.

For warranty service, please contact the dealer from whom you purchased your Invacare product. In the event you do not receive satisfactory warranty service, please write directly to Invacare at the address on the back cover, provide dealer's name, address, date of purchase, indicate nature of the defect.

Invacare Corporation will issue a serialized return authorization. The defective unit or parts **MUST** be returned for warranty inspection using the serial number, when applicable as identification within 30 days of return authorization date. **DO NOT** return products to our factory without our prior consent. **C.O.D.** shipments will be refused; please prepay shipping charges.

**LIMITATIONS AND EXCLUSIONS: THE FOREGOING WARRANTY SHALL NOT APPLY TO SERIAL NUMBERED PRODUCTS IF THE SERIAL NUMBER HAS BEEN REMOVED OR DEFACED, PRODUCTS SUBJECTED TO NEGLIGENCE, ACCIDENT, IMPROPER OPERATION, MAINTENANCE OR STORAGE, PRODUCTS MODIFIED WITHOUT INVACARE'S EXPRESS WRITTEN CONSENT (INCLUDING, BUT NOT LIMITED TO, MODIFICATION THROUGH THE USE OF UNAUTHORIZED PARTS OR ATTACHMENTS; PRODUCTS DAMAGED BY REASON OF REPAIRS MADE TO ANY COMPONENT WITHOUT THE SPECIFIC CONSENT OF INVACARE, OR TO A PRODUCT DAMAGED BY CIRCUMSTANCES BEYOND INVACARE'S CONTROL, AND SUCH EVALUATION WILL BE SOLELY DETERMINED BY INVACARE. THE WARRANTY SHALL NOT APPLY TO PROBLEMS ARISING FROM NORMAL WEAR OR FAILURE TO ADHERE TO THE INSTRUCTIONS IN THIS MANUAL.**

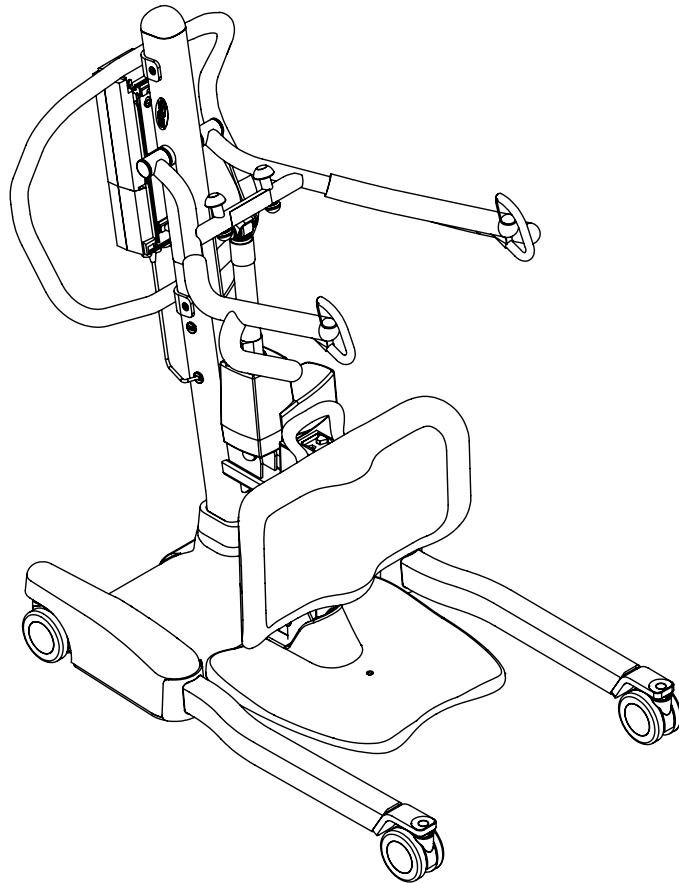
**THE FOREGOING WARRANTY IS EXCLUSIVE AND IN LIEU OF ALL OTHER EXPRESS WARRANTIES. IMPLIED WARRANTIES, IF ANY, INCLUDING THE IMPLIED WARRANTIES OF MERCHANTABILITY AND FITNESS FOR A PARTICULAR PURPOSE, SHALL NOT EXTEND BEYOND THE DURATION OF THE EXPRESSED WARRANTY PROVIDED HEREIN AND THE REMEDY FOR VIOLATIONS OF ANY IMPLIED WARRANTY SHALL BE LIMITED TO REPAIR OR REPLACEMENT OF THE DEFECTIVE PRODUCT PURSUANT TO THE TERMS CONTAINED HEREIN. INVACARE SHALL NOT BE LIABLE FOR ANY CONSEQUENTIAL OR INCIDENTAL DAMAGES WHATSOEVER.**

**SOME STATES DO NOT ALLOW EXCLUSION OR LIMITATION OF INCIDENTAL OR CONSEQUENTIAL DAMAGE, OR LIMITATION ON HOW LONG AN IMPLIED WARRANTY LASTS, SO THE ABOVE EXCLUSIONS AND LIMITATIONS MAY NOT APPLY TO YOU.**

**THIS WARRANTY SHALL BE EXTENDED TO COMPLY WITH STATE OR PROVINCIAL LAWS AND REQUIREMENTS.**

# Lève-personne

## Roze™



**DÉTAILLANT** : Ce manuel DOIT être remis à l'utilisateur du lève-personne.

**UTILISATEUR** : Avant d'utiliser cet appareil, lisez ce manuel et gardez-le à titre de référence.

Pour de plus amples renseignements sur les produits, les pièces et les services d'Invacare, consultez notre site à l'adresse suivante :  
[www.invacare.com](http://www.invacare.com)



Yes, you can.®

## ⚠ MISE EN GARDE

**NE FAITES PAS FONCTIONNER CET ÉQUIPEMENT AVANT D'AVOIR LU ET COMPRIS CE MANUEL. SI VOUS AVEZ DE LA DIFFICULTÉ À COMPRENDRE LES MISES EN GARDE, LES AVERTISSEMENTS ET LES DIRECTIVES, COMMUNIQUEZ AVEC UN DÉTAILLANT QUALIFIÉ OU UN MEMBRE DU SOUTIEN TECHNIQUE D'INVACARE AVANT DE TENTER D'UTILISER CET ÉQUIPEMENT. SINON, DES BLESSURES OU DES DOMMAGES POURRAIENT S'ENSUIVRE.**

## ⚠ MISE EN GARDE S'APPLIQUANT AUX ACCESSOIRES

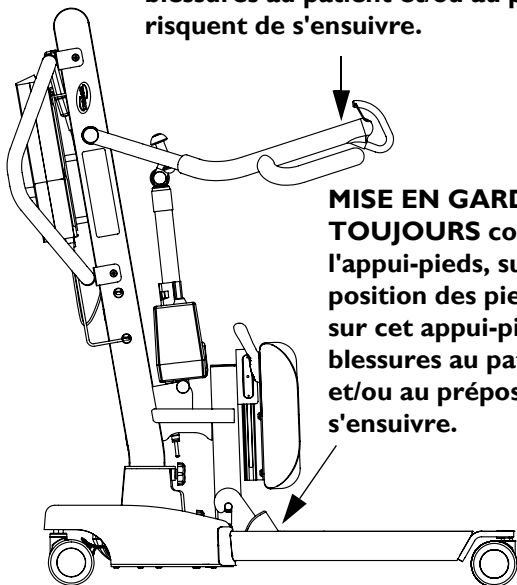
Les produits Invacare sont conçus et fabriqués expressément pour une utilisation avec les accessoires Invacare. Les accessoires conçus par d'autres fabricants n'ont pas été testés par Invacare. Il n'est donc pas recommandé de les utiliser avec des produits Invacare.

## LÉGENDE DES SYMBOLES

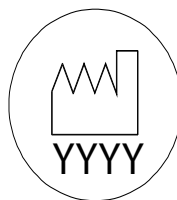


« **ATTENTION**, veuillez-vous référer aux directives d'utilisation. »

**MISE EN GARDE - Tenez TOUJOURS** compte des bras du lève-personne. Des blessures au patient et/ou au préposé risquent de s'ensuivre.



**MISE EN GARDE - Tenez TOUJOURS** compte de l'appui-pieds, surtout de la position des pieds du patient sur cet appui-pieds. Des blessures au patient et/ou au préposé risquent de s'ensuivre.



« **Date de la fabrication** »

L'appareil comprend des piles alcalines. **NE jetez PAS** les piles dans les déchets ménagers. Apportez-les dans un lieu destiné à cet effet. Communiquez avec une entreprise de gestion de déchets près de votre région pour obtenir de plus amples renseignements.



# TABLE DES MATIÈRES

<b>LÉGENDE DES SYMBOLES</b> .....	<b>28</b>
<b>REMARQUES SPÉCIALES</b> .....	<b>31</b>
<b>EMPLACEMENT DES ÉTIQUETTES</b> .....	<b>32</b>
<b>PARAMÈTRES DU PRODUIT</b> .....	<b>33</b>
Lève-personne Roze.....	33
<b>SECTION 1—DIRECTIVES GÉNÉRALES</b> .....	<b>34</b>
Poids maximum.....	34
Assemblage du lève-personne.....	34
L'utilisation du lève-personne.....	35
Le soulèvement du patient.....	35
Le transfert d'un patient.....	35
L'entretien.....	35
<b>SECTION 2—MONTAGE</b> .....	<b>36</b>
Montage du lève-personne.....	36
Montage du mât à la base .....	36
Montage du coussin pour genoux au montage de mât.....	36
Montage du repose-pieds au montage du mât.....	36
La fixation du support de chargeur de pile au mur .....	37
La fixation du chargeur de pile au mât.....	37
<b>SECTION 3—FONCTIONNEMENT</b> .....	<b>38</b>
Le fonctionnement du lève-personne.....	38
Le blocage/déblocage des roulettes arrières.....	38
Le soulèvement/l'abaissement du lève-personne .....	38
La fermeture/l'ouverture des jambes.....	38
L'utilisation de l'arrêt d'urgence.....	38
L'activation du déverrouillage mécanique d'urgence.....	39
Déverrouillage d'urgence primaire .....	39
Déverrouillage d'urgence secondaire .....	39
Le chargement de la pile.....	39
<b>SECTION 4—LE SOULÈVEMENT DU PATIENT</b> .....	<b>40</b>
Fixation du lève-personne.....	40
Le soulèvement du patient.....	41
Déplacer le patient.....	43
<b>SECTION 5—LE TRANSFERT D'UN PATIENT</b> .....	<b>44</b>
Transfert vers une toilette.....	45
Le transfert vers un fauteuil roulant.....	46
Transfert du patient vers un lit.....	46
<b>SECTION 6—DÉPANNAGE</b> .....	<b>47</b>

## TABLE DES MATIÈRES

<b>SECTION 7—ENTRETIEN .....</b>	<b>48</b>
Liste de contrôle de l'entretien .....	48
Nettoyage de la toile et du lève-personne.....	49
Détection de l'usure et de l'endommagement .....	49
La lubrification du lève-personne .....	49
Remplacement de l'actionneur électrique .....	49
Remplacement des actionneurs de jambes .....	50
Réglage de la hauteur du coussin pour genoux.....	51
<b>GARANTIE LIMITÉE .....</b>	<b>52</b>

## REMARQUES SPÉCIALES

Les mots indicateurs utilisés dans ce manuel s'appliquent aux risques ou aux pratiques dangereuses pouvant provoquer des blessures corporelles ou des dommages matériels. Consultez le tableau ci-dessous pour connaître la définition des mots-indicateurs.

MOT-INDICATEUR	SIGNIFICATION
<b>⚠ DANGER</b>	Danger indique l'imminence d'une situation dangereuse qui pourrait causer de graves blessures, voire la mort, si elle n'est pas évitée.
<b>⚠ MISE EN GARDE</b>	Mise en garde indique l'éventualité d'une situation dangereuse qui pourrait causer de graves blessures, voire la mort, si elle n'est pas évitée.
<b>⚠ AVERTISSEMENT</b>	Avertissement indique l'éventualité d'une situation dangereuse qui pourrait causer des dommages matériels ou des blessures légères, voire les deux, si elle n'est pas évitée.

### ⚠ AVIS

**L'INFORMATION CONTENUE DANS CE DOCUMENT PEUT ÊTRE MODIFIÉE SANS PRÉAVIS.**

#### INTERFÉRENCE AUX FRÉQUENCES RADIOÉLECTRIQUES


L'interférence aux radio fréquences (IRF) influe sur la plupart des appareils électroniques. **AVERTISSEMENT** Il faut être prudent lorsqu'on utilise de l'équipement de communication portatif à proximité de tels appareils. Si l'interférence aux fréquences radioélectriques entraîne un comportement imprévisible, appuyez **IMMÉDIATEMENT** sur le bouton d'urgence rouge. **N'ÉTAIGNEZ PAS** le bouton d'urgence rouge lorsque la transmission est en cours.

#### ENTRETIEN

Seule une personne qualifiée **DOIT** exécuter l'entretien.

# EMPLACEMENT DES ÉTIQUETTES

**⚠️ AVERTISSEMENT**



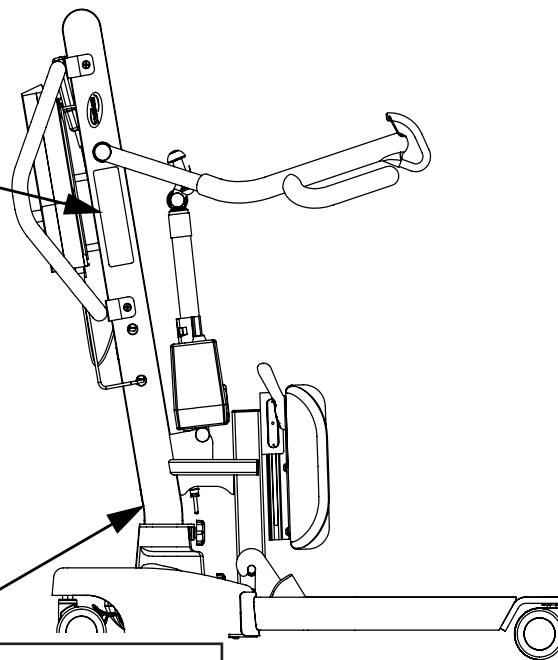
AVANT d'utiliser le lève-patient, pour assurer une utilisation adéquate et une exécution sécuritaire de procédures, LIRE et COMPRENDRE le manuel de l'utilisateur.

**⚠️ AVERTISSEMENT**

Limite de poids: 450 livres (204 Kg).  
Le lève-patient Invacare N'EST PAS un appareil de transport.  
NE PAS rouler par-dessus les rebords surface qui pourrait faire basculer le lève-patient.  
NE PAS bloquer les roues du lève-patient lorsque vous soulevez un patient. Les roues doivent restées DÉBLOQUÉES pour permettre au lève-patient de se stabiliser tout au long de la procédure de levage.  
UTILISER SEULEMENT DES TOILES ET DES ACCESSOIRES DE LEVAGE AUTHENTIQUES INVACARE.  
Pour l'entretien et comme pièces de rechanges pour le lève-patient, N'UTILISEZ QUE les composants adéquats.  
Se référer au manuel de l'utilisateur pour les procédures d'entretien périodiques.

Customer Service:  
1-800-333-6900

1160880 REV. A



**⚠️ WARNING** Risk of injury or damage. Only use the Roze mast with this base.

**⚠️ ATTENTION** Risque de blessure ou de dommages. Utiliser exclusivement le mat Roze avec cette base.

**⚠️ ADVERTENCIA** Riesgo de lesiones o daños. Utilice únicamente el mástil de Roze en esta base.

**⚠️ ADVARSEL** Risiko for ulykke eller skade. Bruk kun Roze mast på dette understell.


**⚠️ ADVARSEL** Risiko for ulykke eller skade. Anvend kun masten til Roze til denne base.

**⚠️ WARNUNG** Verletzungsgefahr oder Gefahr der Beschädigung. Den Roze Mast nur mit dieser Basis benutzen.

P/N 1171782 Rev A

REMARQUE: L'étiquette de dimension de la toile est située sur la barre transversale (non illustrée)..

**Toile Dimensions**



Petit Bleu Marine  
Moyen Violet  
Grand Vert  
XL Bleu  
XXL Noir

**⚠️ AVERTISSEMENT**

UTILISER SEULEMENT DES TOILES ET DES ACCESSOIRES DE LEVAGE AUTHENTIQUES INVACARE.

1160882 REV. A



# PARAMÈTRES DU PRODUIT

## Lève-personne Roze

Hauteur du point d'ancrage de la toile - MAX. :	161,29 cm (63,5 po)
Hauteur du point d'ancrage de la toile - MIN. :	93,98 cm (37 po)
Largeur de la base en position OUVÈRTE :	111,76 cm (44 po)
Largeur de la base en position FÈRMÈE :	66,04 cm (26 po)
Hauteur libre de la base :	12,19 cm (4,8 po)
Longueur de la base :	98,55 cm (38,8 po)
Hauteur Totale :	124,71 cm (49,1 po)
Longueur hors Tout :	106,68 cm (42 po)
Largeur hors tout :	66,04 cm (26 po)
Grandeur des roues (AVANT/ARRIÈRE) :	10,16 cm (4 po)
Options relatives à la toile :	En position debout ou en mode transfert
Tissu de la toile :	Polyester
Capacité pondérale :	203,85 kg (450 lb)
Poids hors emballage :	53 kg (117 lb)
Pile :	24 V DC (RCHBL)
Puissance entrante du chargeur :	100-240V CC
Puissance de sortie du chargeur/Durée du chargement :	29,5V CC Max. 6 heures
Alarme audio/visuel de pile faible :	Oui
Dispositifs de sécurité motrice :	Anti-piégeage
*Nombre approximatif de soulèvements par chargement :	*100-200 cycles par chargement
La garantie limitée de la pompe/l'électronique :	5 ans/2 ans
Bouton d'arrêt d'urgence :	Oui

REMARQUE: Selon la charge et l'utilisation.

## SECTION I —DIRECTIVES GÉNÉRALES

### **⚠ MISE EN GARDE**

**SECTION I - DIRECTIVES GÉNÉRALES contient des renseignements importants sur le fonctionnement et l'utilisation sécuritaire de ce produit.**

Voyez à ce que toutes les pièces soient en bon état avant d'utiliser l'appareil. Si les pièces sont endommagées, N'UTILISEZ PAS l'appareil. Veuillez contacter le détaillant pour de plus amples instructions.

Le lève-personne d'Invacare n'est PAS un dispositif de transport. Il est conçu pour transporter une personne d'une surface de repos à une autre (par exemple, d'un lit à un fauteuil roulant).

NE tentez PAS de transférer un patient sans l'accord de son médecin, de l'infirmier

ou du préposé. Lisez attentivement les instructions du manuel d'utilisateur, observez une équipe d'experts lors des procédures de soulèvement et ensuite effectuez l'ensemble de

la procédure plusieurs fois sous surveillance tandis qu'une personne en bonne santé joue le rôle du patient.

Les toiles pour soulever et transporter les patients d'Invacare sont spécifiquement conçues pour être utilisées avec les lève-personnes station debout d'Invacare. Les toiles et accessoires conçus par d'autres fabricants ne doivent pas être utilisés comme composantes du système de lève-personne d'Invacare. L'utilisation de ces produits est interdite et risque d'annuler la garantie associée au lève-personne. Utilisez la toile qui est recommandée par le médecin, l'infirmier ou le préposé du patient concerné pour le confort et la sécurité du patient transporté.

Si l'ascenseur patient est utilisé dans le secteur d'une douche ou d'un bain, garantir que l'ascenseur patient est essuyé propre de n'importe quelle humidité après l'usage. Ne PAS emmagasiner l'ascenseur dans un secteur humide ou dans une condition humide. Périodiquement inspecter tous les composants de l'ascenseur patient pour les signes de corrosion. Remplacer toutes parties qui sont corrodées ou est endommagé.

### **Poids maximum**

N'excédez JAMAIS le poids maximum pour chaque appareil. Le poids maximum du lève-personne Roze est de 450 lb.

### **Assemblage du lève-personne**

NE serrez PAS excessivement l'équipement de montage. Vous risquez d'abîmer les supports de fixation.

L'utilisation de la toile

Les personnes qui utilisent la toile station debout DOIVENT être en mesure de supporter une part importante de leur propre poids sinon des blessures pourraient s'ensuivre.

Toiles station debout : N'UTILISEZ PAS la toile station debout avec le lève-personne comme dispositif de transport. Il est conçu pour transporter une personne d'une surface de repos à une autre (par exemple, d'un lit à un fauteuil roulant).

Toiles station debout : Avant de soulever le patient, assurez-vous que le bord inférieur de la toile station debout est placé au bas du dos du patient et que les bras du patient se trouvent à l'extérieur de la toile.

Toiles station debout : La ceinture DOIT être serrée mais le patient doit être à l'aise, sinon, il pourrait glisser hors de la ceinture pendant le transfert et causer des blessures.

Toiles de transport : Avant de soulever le patient, assurez-vous que le bord inférieur de la toile de transport est placé au bas du dos du patient et que les bras du patient se trouvent à l'extérieur de la toile.

Toiles de transport : NE soulevez PAS le patient dans une position complètement à la verticale lors de l'utilisation de la toile de transport. Ceci pourrait causer des blessures.

Après chaque lessive (selon les instructions sur l'étiquette de la toile), inspectez les toiles pour vous assurer qu'il n'y ait pas d'usure, de déchirures ou de décousures.

Des toiles javélistées, déchirées, coupées, effilochées ou brisées ne sont pas sécuritaires et peuvent causer des blessures. Jetez-les immédiatement.

NE modifiez PAS les toiles.

Vérifiez les attaches des toiles chaque fois qu'une toile est retirée et remplacée pour vous assurer qu'elle est bien en place avant que le patient soit déplacé d'un objet fixe (lit, chaise, chaise d'aisance).

Si le patient est en fauteuil roulant, enclenchez le blocage des roues afin de prévenir le déplacement de la chaise.

## L'utilisation du lève-personne

Assurez-vous d'entendre le déclic lors du montage de la pile sur le chargeur de pile pour vous assurer qu'elle est bien en place. Autrement, des blessures ou des dommages pourraient s'ensuivre.

Utilisez les poignées pour pousser ou tirer le lève-personne.

## Le soulèvement du patient

Avant de placer les jambes du lève-personne autour du patient, assurez-vous que les pieds du patient se trouvent hors de portée de la palette du repose-pieds sinon des blessures pourraient s'ensuivre.

Les ajustements qui assurent la sécurité et le confort devraient être effectués avant de déplacer le patient. Les bras du patient devraient se trouver à l'extérieur des courroies de la toile.

Avant de transférer un patient à partir d'un objet fixe (fauteuil roulant, chaise d'aisance ou lit), soulevez légèrement le patient de cet espace et vérifiez que les attaches de la toile soient bien en place. Si une attache n'est pas fixée correctement, abaissez le patient, rectifiez le problème et vérifiez de nouveau.

Pendant le transfert, lorsque le patient est suspendu à une toile attachée au lève-personne, NE passez PAS la base à roulettes sur ou quelconque surface inégale qui pourrait créer un déséquilibre et faire tomber l'appareil. Utilisez les poignées de direction du mât EN TOUT TEMPS pour pousser et tirer le lève-personne.

Invacare recommande de verrouiller les roulettes pivotantes arrières (SEULEMENT) quand vient le temps de fixer la toile autour du patient ou de la retirer (soulever ou transporter).

Invacare ne recommande PAS de verrouiller les roulettes arrières du lève-personne quand vient le temps de soulever un patient. Cette pratique pourrait faire basculer le lève-personne et mettre le patient et les préposés en danger. Invacare RECOMMANDE que les roulettes arrières soient déverrouillées quand vient le temps de soulever le patient pour permettre au lève-personne de se stabiliser lorsqu'on soulève un patient d'une chaise, d'un lit ou d'un objet fixe.

## Le transfert d'un patient

Avant de transférer un patient, assurez-vous que le poids du patient ne dépasse pas le poids maximum de l'appareil.

Le blocage des roues du fauteuil roulant DOIT être enclenché avant d'abaisser le patient dans le fauteuil roulant aux fins de déplacement.

## L'entretien

L'entretien régulier des lève-personnes et des accessoires est nécessaire afin d'assurer un bon fonctionnement.

Après les douze premiers mois d'utilisation, vérifiez que les pivots et les attaches ne soient pas usés. Si le métal est usé, la pièce DOIT être remplacée. Effectuez cette vérification tous les six mois par la suite.

NE serrez PAS excessivement l'équipement de montage. Vous risquez d'abîmer les supports de fixation.

Les roues et les boulons d'essieu requièrent une inspection tous les six mois contre le serrage et l'usure.

## SECTION 2—MONTAGE

### Montage du lève-personne

#### Montage du mât à la base

REMARQUE: Pour cette procédure, veuillez consulter la FIGURE 2.1.

REMARQUE: Pour cette procédure, veuillez consulter la Le montage du mât peut être retiré de la base pour l'entreposage ou le transport. Le montage du mât DOIT être bien fixé au montage de la base avant l'utilisation.

1. Placez la base sur une surface nivelée pour assurer que toutes les roulettes touchent au sol.
2. Bloquez les roulettes arrière (Détail « A »).
3. Dévissez le bouton supérieur et retirez-le de la base.
4. Désérrez le bouton inférieur, mais laissez-le vissé dans la base.
5. Raccordez le câble de l'ensemble du mât (non illustré) au câble de la base (non illustré).
6. Placez le tube de montage du mât dans le trou de la base.
7. En soutenant le montage du mât, serrez le bouton inférieur de plastique.
8. Vissez le bouton supérieur de plastique dans le trou de la base.

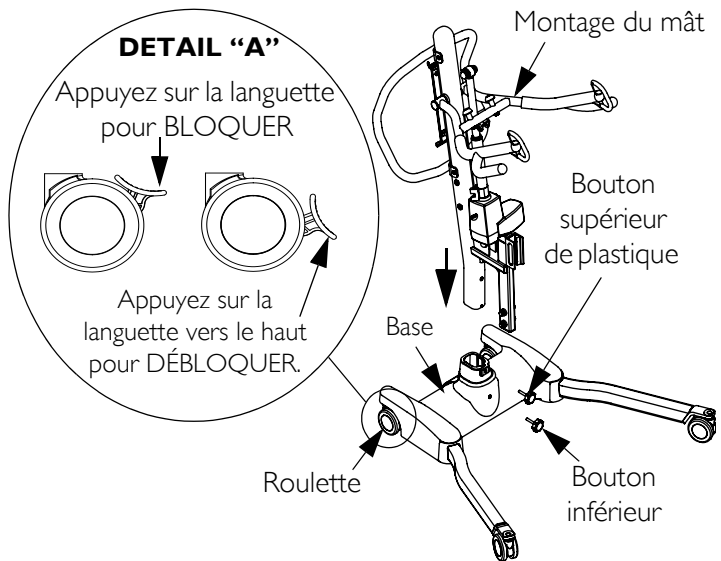


FIGURE 2.1 Montage du mât à la base

#### Montage du coussin pour genoux au montage de mât

REMARQUE: Pour cette procédure, veuillez consulter la FIGURE 2.2.

REMARQUE: Le coussin pour genoux peut être retiré du lève-personne du patient pour l'entreposage ou le transport. Le coussin pour genoux DOIT être solidement fixé au montage du mât avant son utilisation.

1. Poussez le coussin pour genoux en position sur le support de fixation du coussin pour genoux sur le montage du mât.
2. Mettez le bloc de fixation en place sur le support de fixation du coussin pour genoux.
3. Insérez la poignée de blocage rapide dans le support de fixation, le coussin pour genoux et le bloc de fixation.
4. Resserrez la poignée de blocage rapide.

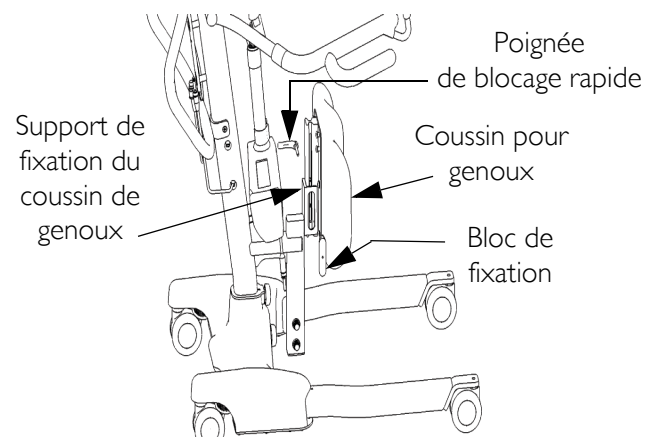


FIGURE 2.2 Montage du coussin pour genoux au montage de mât

#### Montage du repose-pieds au montage du mât

REMARQUE: Pour cette procédure, veuillez consulter la FIGURE 2.3.

1. Tournez le repose-pieds vers le haut et placez les crochets du repose-pieds sur le dessus des boulons de fixation dans le montage du mât.
2. Tournez le repose-pieds vers le bas vers le montage du mât. La base de la palette de repose-pieds reposera sur les boulons du montage du mât.
3. Assurez-vous que le repose-pied soit de niveau et bien sécurisée.

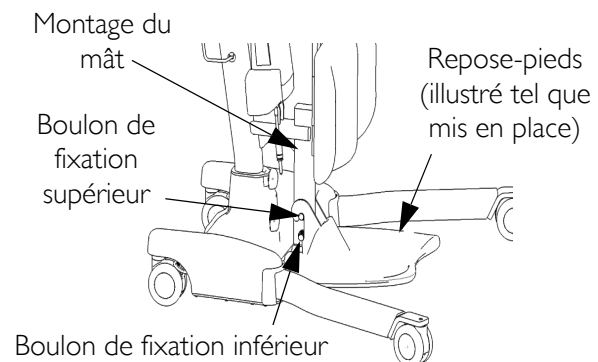


FIGURE 2.3 Montage du repose-pieds au montage du mât

## La fixation du support de chargeur de pile au mur

NOTE: Pour cette procédure, se référer à la FIGURE 2.4.

1. Placez le support de chargeur de batterie au mur à la position souhaitée.
2. À l'aide d'un crayon, marquez la position du trou du milieu.
3. Mesurez 6½ pouces au bas du trait de crayon et percez un trou de montage.
4. Installez la vis de montage inférieure jusqu'à ce qu'il y ait un écart d'environ 1/8 de pouce entre la tête de la vis et le mur.
5. Placez le support de chargeur de pile au bas de la vis de montage inférieure.
6. Percez les deux autres trous de montage.
7. Vissez les vis de montage à travers le support de chargeur de pile et dans le mur. Resserrez fermement.

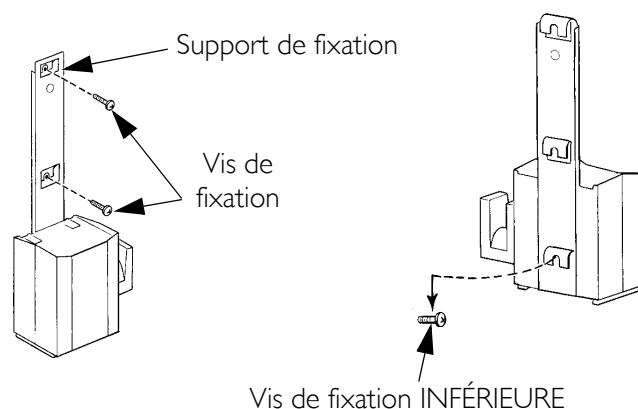


FIGURE 2.4 La fixation du support de chargeur de pile au mur

### ⚠ ATTENTION

**Assurez-vous d'entendre le déclic lors du montage de la pile sur le chargeur pour vous assurer qu'elle est bien en place. Autrement, des blessures ou des dommages pourraient s'ensuivre.**

8. Placez le chargeur de pile sur le support de fixation.
9. Branchez le chargeur de pile dans une prise électrique.

REMARQUE: Une lumière DEL s'allumera lorsque le chargeur de pile est alimenté.

## La fixation du chargeur de pile au mât

### ⚠ MISE EN GARDE

**Si le chargeur de pile est fixé au mât et qu'il est branché dans une prise électrique, assurez-vous de débrancher le chargeur de pile de la prise électrique AVANT d'utiliser le lève-personne. À défaut de quoi, des blessures ou des dommages pourraient s'ensuivre.**

REMARQUE: Pour cette procédure, veuillez consulter la FIGURE 2.5.

1. Retirez les deux pièces de Mylar recouvrant les trous de montage du chargeur de pile derrière le mât.
2. Insérez les vis de fondation dans les trous de montage.
3. Serrez les vis de fondation.
4. Placez le support de chargeur de pile sur les vis de fondation.
5. Chargez la pile. Consultez la section [Le chargement de la pile](#) à la page 39.

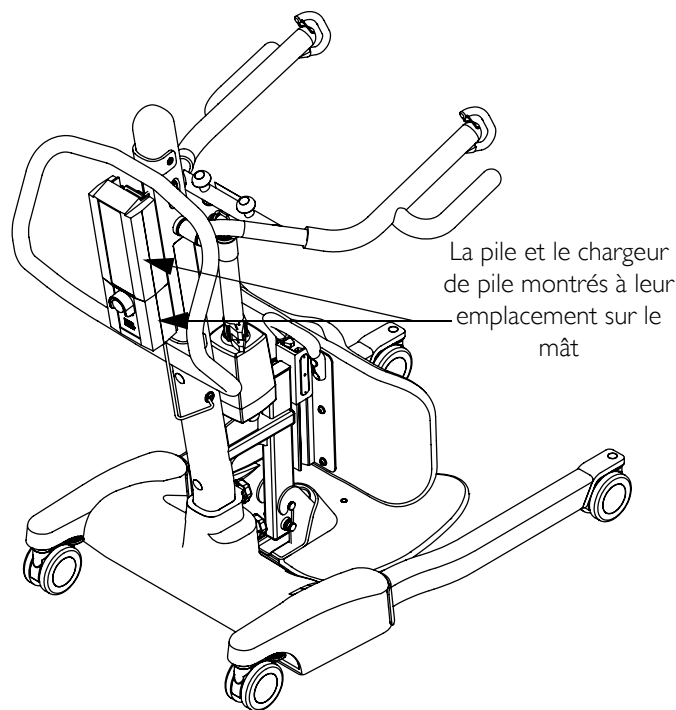


FIGURE 2.5 La fixation du chargeur de pile au mât

## SECTION 3—FONCTIONNEMENT

### ⚠ MISE EN GARDE

**NE tentez PAS de transférer un patient sans l'accord de son médecin, d'un infirmier ou d'un préposé. Lisez attentivement les instructions contenues dans le manuel d'utilisateur, observez une équipe d'experts lors des procédures de soulèvement et effectuez ensuite la procédure plusieurs fois sous surveillance à l'aide d'une personne en bonne santé jouant le rôle du patient. Les jambes du lève-personne DOIVENT être ouvertes le plus possible afin d'assurer une stabilité et une sécurité supérieures. Si le patient est dans une toile et qu'il devient nécessaire de circuler dans un passage étroit, fermer les jambes du lève-personne aussi longtemps qu'il faut exécuter cette manœuvre. Quand le lève-personne a fini de circuler dans le passage, remettre les jambes à la position ouverte maximale.**

*REMARQUE: L'utilisation d'un seul préposé repose sur l'évaluation faite par le professionnel de la santé au cas par cas.*

### Le fonctionnement du lève-personne

*REMARQUE: Pour cette procédure, se référer à la FIGURE 3.1.*

#### Le blocage/déblocage des roulettes arrière

*REMARQUE: Pour cette procédure, se référer à la Detail "A".*

- Pour bloquer la roulette : appuyez sur la languette.
- Pour débloquer la roulette : tirez sur la languette.

#### Le soulèvement/l'abaissement du lève-personne

*REMARQUE: Pour cette procédure, se référer à la Detail "B".*

- Pour soulever le lève-personne : appuyez sur le bouton UP (↑) de la commande manuelle.

*REMARQUE: Si le lève-personne est soulevé au plus haut point, il se peut qu'une légère pression soit nécessaire pour abaisser le mât. Poussez légèrement sur les deux bras du lève-personne en même temps pour éviter de faire basculer le lève-personne.*

- Pour abaisser le lève-personne : appuyez sur le bouton down (↓) de la commande manuelle.

#### La fermeture/l'ouverture des jambes

*REMARQUE: Pour cette procédure, se référer à la Detail "B".*

- Pour fermer les jambes : appuyez sur le bouton close de la commande manuelle.
- Pour ouvrir les jambes : appuyez sur le bouton open de la commande manuelle.

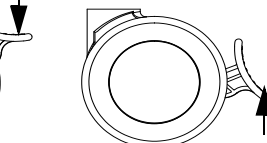
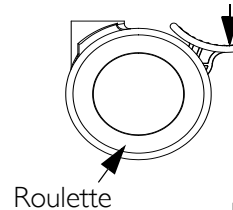
#### L'utilisation de l'arrêt d'urgence

*REMARQUE: Pour cette procédure, se référer à la Detail "C".*

- Appuyez sur le bouton d'urgence ROUGE pour éviter que les bras du lève-personne se lèvent ou s'abaissent.
- Pour réinitialiser, tournez le bouton d'urgence dans le sens horaire.

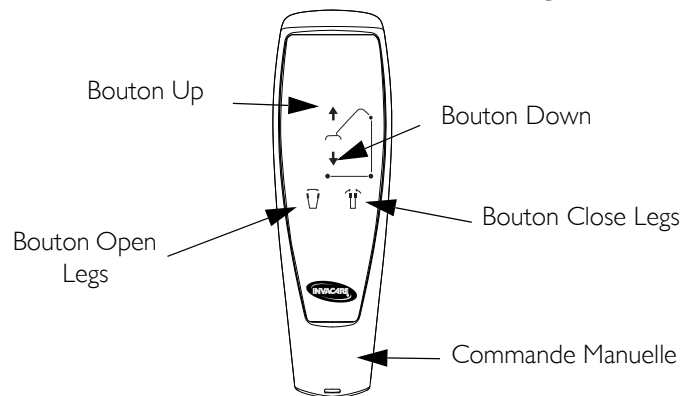
#### DETAIL « A » - LE BLOCAGE/DÉBLOCAGE DES ROUES ARRIÈRES

Appuyez sur la languette (DOWN) en position LOCK (verrouillage)



Appuyez sur la languette (UP) en position UNLOCK (déverrouillage)

#### DETAIL « B » - DÉTAILS DE LA COMMANDE MANUELLE



#### DETAIL « C » - ARRÊT D'URGENCE

Bouton d'urgence  
Appuyez pour l'arrêter, tournez dans le sens horaire pour réinitialiser.

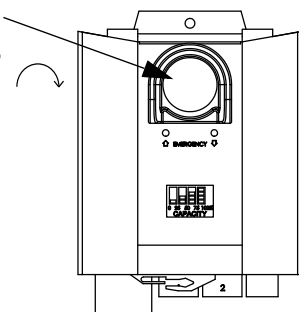


FIGURE 3.1 Le fonctionnement du lève-personne

## L'activation du déverrouillage mécanique d'urgence

### Déverrouillage d'urgence primaire

REMARQUE: Pour cette procédure, se référer à la FIGURE 3.2.

REMARQUE: Cette procédure fait monter ou descendre la membrure si la commande manuelle fait défaut.

Pour activer le déverrouillage d'urgence primaire, insérez un stylo dans le trou portant l'étiquette Urgence monter et Urgence descendre de la boîte de commande.

### Déverrouillage d'urgence secondaire

REMARQUE: Pour cette procédure, se référer à la FIGURE 3.3.

REMARQUE: Tous les actionneurs du lève-personne sont munis d'un déverrouillage d'urgence mécanique. Le déverrouillage mécanique permet à l'actionneur de se replier sans alimentation.

REMARQUE: Utilisez le déverrouillage d'urgence primaire avant d'avoir recours à la procédure du déverrouillage d'urgence secondaire. Vous devriez appliquer cette procédure uniquement si le déverrouillage d'urgence primaire ne fonctionne pas ou s'il est inaccessible.

REMARQUE: Le lève-personne DOIT être chargé pour que le déverrouillage mécanique fonctionne.

Pour activer le déverrouillage d'urgence secondaire, tirez sur la poignée d'urgence ROUGE et appuyez simultanément sur la membrure.

## Le chargement de la pile

REMARQUE: Pour cette procédure, se référer à la FIGURE 3.4.

REMARQUE: Invacare recommande de charger la pile chaque jour pour en prolonger la durée.

REMARQUE: Une alarme se fait entendre lorsque la pile est faible.

1. Tirez la poignée à l'arrière de la pile vers le haut (UP).
2. Soulevez la pile hors de la boîte de commande.

### ⚠ AVERTISSEMENT

**Assurez-vous d'entendre le déclic lors du montage de la pile sur le chargeur de pile pour confirmer qu'elle est bien en place. Autrement, des blessures ou des dommages pourraient s'ensuivre.**

3. Placez la pile sur le chargeur de pile. Enfoncez la partie supérieure de la pile contre le support de fixation jusqu'à ce qu'un déclic se fasse entendre.

REMARQUE: La DEL de chargement s'allume. Une fois le chargement terminé, la DEL s'éteint.

REMARQUE: Le chargement complet prend environ quatre heures.

4. Tirez la poignée à l'arrière de la pile vers le haut (UP).
5. Soulevez la pile hors du chargeur de pile.

### ⚠ AVERTISSEMENT

**Assurez-vous d'entendre le déclic lors du montage de la pile sur la boîte de commande pour confirmer qu'elle est bien en place. Autrement, des blessures ou des dommages pourraient s'ensuivre.**

6. Placez la pile sur la boîte de commande. Enfoncez la partie supérieure de la pile contre le support de fixation jusqu'à ce qu'un déclic se fasse entendre.

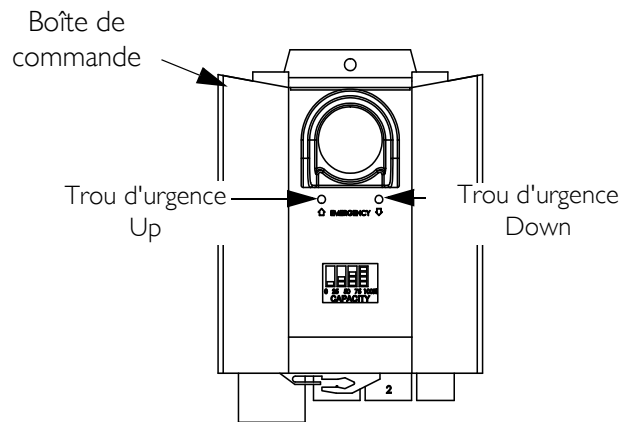


FIGURE 3.2 Déverrouillage d'urgence primaire

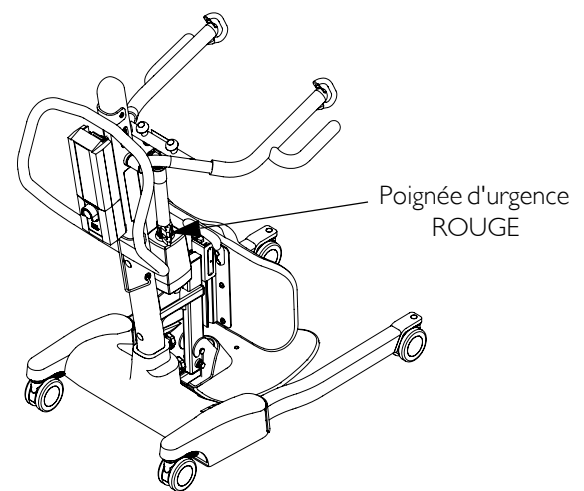


FIGURE 3.3 Déverrouillage d'urgence secondaire

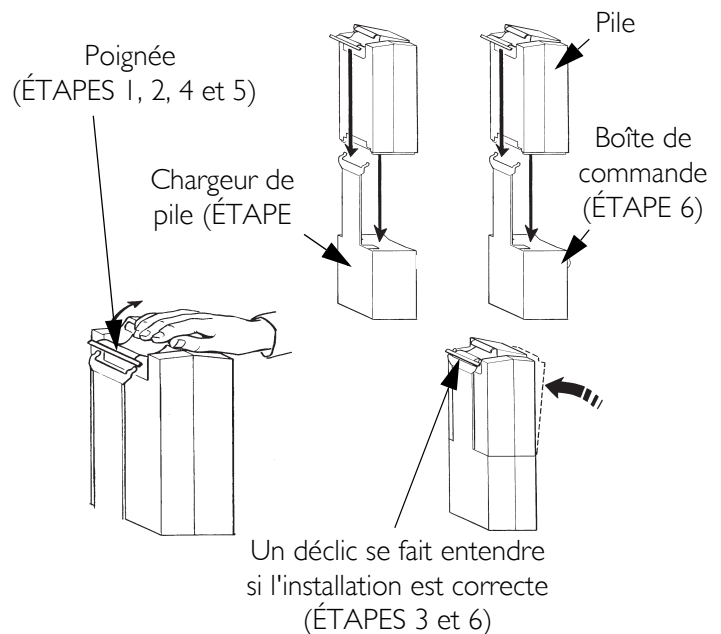


FIGURE 3.4 Le chargement de la pile

## SECTION 4—LE SOULÈVEMENT DU PATIENT

---

### **⚠ MISE EN GARDE**

**NE** dépassez **PAS** la limite de poids de 450 lbs.

**Ne tentez PAS** de transférer un patient sans l'accord de son médecin, de l'infirmier ou du préposé.

Éloignez **TOUJOURS** les mains et les doigts des pièces mobiles pour éviter les blessures.

Les toiles Invacare sont conçues spécifiquement pour être utilisées avec les lève-personnes d'Invacare. Afin d'assurer la sécurité du patient, **N'UTILISEZ PAS** de toiles ou de lève-personnes provenant de différents fabricants.

Les personnes qui utilisent la toile station debout **DOIVENT** être en mesure de supporter une part importante de leur propre poids sinon des blessures pourraient s'ensuivre.

**Avant** de soulever le patient, assurez-vous que le bord inférieur de la toile station debout est placé au bas du dos du patient et que les bras du patient se trouvent à l'extérieur de la toile. La ceinture **DOIT** être serrée mais le patient doit être à l'aise, sinon, il pourrait glisser hors de la ceinture pendant le transfert et causer des blessures.

**Après CHAQUE** lessive (selon les instructions de lavage inscrites sur la toile), examinez la toile pour toute usure, des déchirures ou des décousures. **Jetez IMMÉDIATEMENT** toute toile qui présente ces éléments.

Toute toile javalisée, déchirée, coupée, effilochée ou brisée est dangereuse et risque de causer des blessures ou des dommages. **Jetez IMMÉDIATEMENT** toute toile qui présente ces éléments.

**NE** modifiez **PAS** les toiles des patients.

**NE** déplacez **PAS** le patient si la toile n'est pas bien fixée aux points d'ancrage du lève-personne. Vérifiez que la toile est bien fixée aux points d'ancrage **AVANT** de soulever le patient.

**En mode transfert**, quand le patient est suspendu dans la toile, **ÉVITEZ** de rouler la base du lève-personne sur surface inégale qui risquent d'entraîner l'instabilité du lève-personne.

**Utilisez la poignée de commande sur le mât en tout temps pour pousser ou tirer le lève-personne.**

---

*REMARQUE: Consulter le manuel du propriétaire de la toile, numéro de pièce 102891 pour de plus amples renseignements.*

*REMARQUE: Invacare recommande que deux préposés soient présents et participent à TOUTE procédure de soulèvement.*

### **Fixation du lève-personne**

*REMARQUE: Pour cette procédure, se référer à la FIGURE 4.1.*

*REMARQUE: Consultez les directives générales Directives générales à la page 42 avant de procéder et respectez toutes les avertissements.*

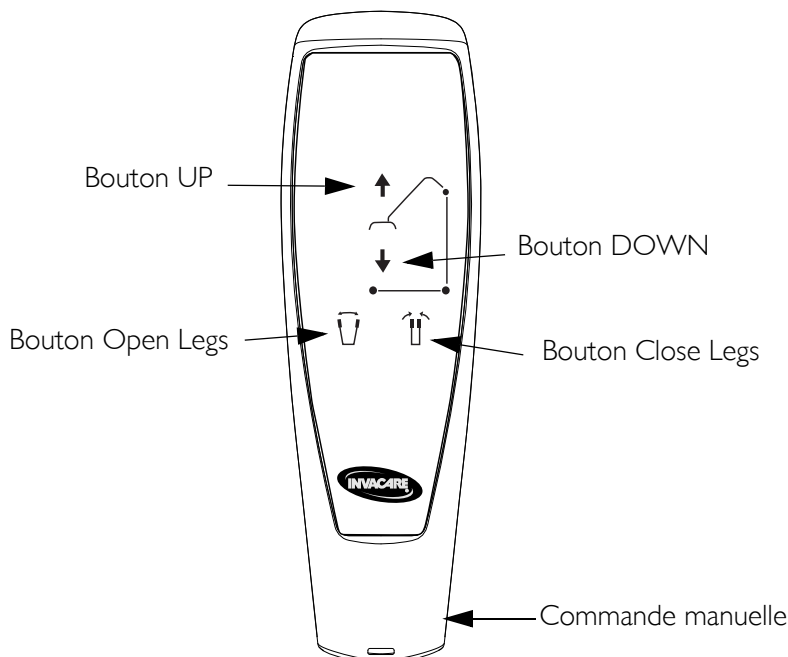
*REMARQUE: Avant de positionner les jambes du lève-personne sous un lit, assurez-vous que l'endroit est libre d'obstacles.*



**⚠ AVERTISSEMENT**

Les jambes du lève-personne **DOIVENT** être ouvertes le plus possible afin d'assurer une stabilité et une sécurité supérieures. Si vous devez fermer les jambes pour placer le lève-personne sous un lit, fermez-les pendant que vous positionnez l'appareil et soulevez le patient hors du lit. Lorsque les jambes du lève-personne ne sont plus sous le lit, ouvrez-les de nouveau.

1. Appuyez sur le bouton open legs de la commande manuelle pour ouvrir les jambes du lève-personne à la position maximale.
2. Fixez le lève-personne à l'aide de la poignée du mât.
3. Appuyez sur le bouton ayant une flèche vers le bas de la commande manuelle pour abaisser les lèves-bras afin de les ajuster facilement à la toile.
4. Abaissez le lève-personne pour faciliter la fixation de la toile.



**FIGURE 4.1** Boutons de Commande Manuelle

## Le soulèvement du patient

**⚠ AVERTISSEMENT**

**NE dépassez PAS** la limite de poids de 450 lbs.

Les personnes qui utilisent la toile station debout **DOIVENT** être en mesure de supporter une part importante de leur propre poids sinon des blessures pourraient s'ensuivre.

**N'ENCLENCHEZ PAS** le blocage des roulettes arrière du lève-personne lorsque vous soulevez une personne. Le blocage des roulettes arrière pourrait faire basculer le lève-personne et mettre le patient et les préposés en danger. Le déverrouillage des roulettes arrière en cours de soulèvement du patient permet au lève-personne de se stabiliser tandis qu'on soulevez le patient à partir d'un fauteuil roulant, d'un lit ou d'un objet fixe.

**NE déplacez PAS** le patient si la toile n'est pas bien fixée aux points d'ancrage du lève-personne. Assurez-vous que la toile est bien fixée **AVANT** de soulever le patient. Si une des attaches n'est pas correctement en place, rectifiez le problème. Quand la toile est soulevée de quelques pouces et éloignée d'une surface stable, et avant de déplacer le patient, vérifiez une fois de plus pour vous assurer que la toile et les attaches sont bien fixées en place. Si vous découvrez un problème, abaissez le patient vers la surface stable et rectifiez le problème, sinon des blessures ou des dommages pourraient s'ensuivre.

**Les ajustements qui assurent la sécurité et le confort devraient être effectués avant de déplacer le patient.**

**Les toiles Invacare sont conçues spécifiquement pour être utilisées avec les lève-personnes d'Invacare. Afin d'assurer la sécurité du patient, N'UTILISEZ PAS de toiles ou de lève-personnes provenant de différents fabricants.**

---

*REMARQUE: Pour cette procédure, se référer à la FIGURE 4.2 à la page 43.*

*REMARQUE: Le patient DOIT être avant tout en position assise. Utilisez la tête du lit pour amener le patient en position assise. Déplacez ensuite les jambes sur le côté du lit.*

1. Demandez au patient de s'agripper aux poignées d'appui de chaque côté du lève-personne (Détail « A » de la FIGURE 4.2).
  2. Demandez au patient de s'appuyer le dos contre la toile de transport.
- 

### **⚠ AVERTISSEMENT**

**Toiles de transport - Avant de soulever le patient, assurez-vous que le bord inférieur de la toile de transport est placé au bas du dos du patient et que les bras du patient se trouvent à l'extérieur de la toile.**

**Toiles de transfert - Avant de soulever le patient, assurez-vous que le bord inférieur de la toile de transfert est placé au bas du dos du patient et que les bras du patient se trouvent à l'extérieur de la toile.**

---

3. Assurez-vous de ce qui suit :
    - A. Les genoux du patient sont bien sécurisés contre les coussins pour genoux.
    - B. Les pieds du patient sont bien placés sur le repose-pieds.
    - C. Toiles :
      - Toiles de transport - le bord inférieur de la toile de transport est placé au bas du dos du patient.
      - Toiles de transfert - le bord inférieur de la toile de transfert est placé au bas du dos du patient.
      - L'une ou l'autre des toiles - les bras du patient se trouvent à l'extérieur de la toile.
    - D. Les roulettes arrières sont déverrouillées.
    - E. Les jambes se trouvent dans la position d'ouverture maximale.
- 

### **⚠ AVERTISSEMENT**

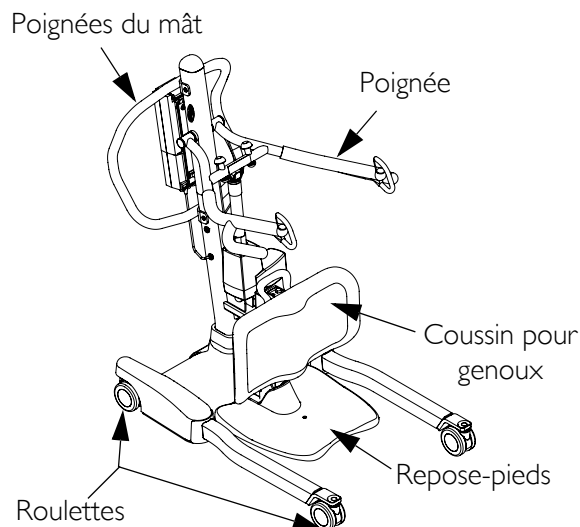
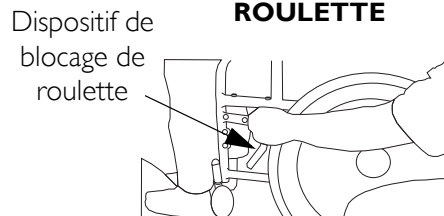
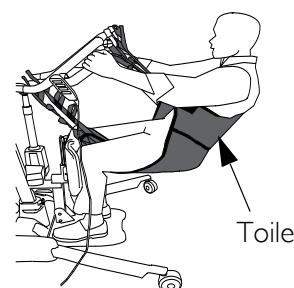
**Pour transférer un patient à partir d'un fauteuil roulant, les roulettes de celui-ci DOIVENT demeurer verrouillées avant d'abaisser le patient dans le fauteuil roulant. Sinon, des blessures pourraient s'ensuivre.**

---

4. Pour transférer un patient à partir d'un fauteuil roulant, verrouillez le système de blocage de roulettes du fauteuil roulant (Détail « B » de la FIGURE 4.2).
5. Appuyez sur le bouton arrow UP de la commande manuelle pour soulever le patient au-dessus de la surface (lit, fauteuil roulant ou toilette). Le lève-personne doit supporter tout le poids du patient (Détail « C » de la FIGURE 4.2).

*REMARQUE: Le champ de gravité inférieur offre une stabilité pour que le patient se sente plus en sécurité et que le lève-personne soit plus facile à déplacer.*

---

**DETAIL « A » - LÈVE-PERSONNE****DETAIL « B » - DISPOSITIF DE BLOCAGE DE ROULETTE****DETAIL « C » - LE SOULÈVEMENT DU PATIENT****FIGURE 4.2** Le soulèvement du patient**Déplacer le patient****⚠ MISE EN GARDE**

Les jambes du lève-personne **DOIVENT** être ouvertes le plus possible afin d'assurer une stabilité et une sécurité supérieures. Si le patient se trouve dans une toile et il s'avère nécessaire de le faire passer dans un espace étroit, refermez les jambes du lève-personne aussi longtemps qu'il le faut pour franchir cet espace. Une fois cet espace franchi, remettez les jambes du lève-personne à la position d'ouverture maximale.

Lors du déplacement d'un patient suspendu dans la toile, **NE** passez **PAS** les roulettes sur surface inégale qui pourrait créer un déséquilibre. Le lève-personne pourrait basculer. Utilisez la poignée du mât en tout temps pour pousser ou tirer le lève-personne.

1. Assurez-vous que les jambes du lève-personne sont ouvertes en position maximale. Si non, appuyez sur le bouton OPEN LEGS sur la commande manuelle pour ouvrir les jambes à la position ouverte maximale.
2. Éloignez le lève-personne de la surface de soulèvement.
3. Déplacez le patient lentement vers la surface désirée.

## SECTION 5—LE TRANSFERT D'UN PATIENT

---

### **⚠ AVERTISSEMENT**

**N'ESSAYEZ PAS** de transférer un patient sans l'accord de son médecin, de l'infirmier ou du préposé. **NE** déplacez **JAMAIS** le patient si la toile n'est pas rattachée correctement aux points d'ancrage sur le lève-personne. Vérifiez que la toile est correctement fixée aux points d'ancrage avant de lever le patient. Si une des attaches n'est pas correctement en place, rectifiez le problème. Lorsque la toile est soulevée quelques pouces au-dessus de la surface stationnaire et avant de déplacer le patient, vérifiez de nouveau pour vous assurer que toutes les attaches sont correctes. Si l'une des attaches n'est pas correctement en place, remplacez le patient sur la surface stationnaire et corrigez le problème pour éviter des blessures.

Les ajustements qui assurent la sécurité et le confort devraient être effectués avant de déplacer le patient. Les bras du patient devraient se trouver à l'extérieur des courroies.

**N'UTILISEZ PAS** de toiles ou de lève-personnes de différents fabricants. Les toiles Invacare sont conçues spécifiquement pour être utilisées avec les lève-personnes d'Invacare. Autrement, des blessures ou des dommages pourraient s'ensuivre.

**N'ENCLENCHEZ PAS** le blocage des roues arrières du lève-personne lorsque vous soulevez une personne. Le blocage des roulettes arrière pourraient faire basculer le lève-personne et mettre le patient et les préposés en danger.

Les jambes du lève-personne **DOIVENT** être ouvertes le plus possible afin d'assurer une stabilité et une sécurité supérieures. Si le patient est dans une toile et il s'avère nécessaire de franchir un passage étroit, refermez les jambes du lève-personne pour effectuer cette transition. Lorsque le lève-personne a franchi le passage, remettez les jambes à la position ouverte maximale. Si vous devez fermer les jambes pour placer le lève-personne sous un lit, fermez-les pendant que vous positionnez l'appareil et soulevez le patient hors du lit. Lorsque les jambes du lève-personne ne sont plus sous le lit, ouvrez-les de nouveau.

Examinez les attaches de la toile chaque fois qu'elle est retirée et remise en place pour vous assurer qu'elle est bien fixée avant de déplacer le patient d'un endroit à un autre.

---

L'aide d'un seul préposé repose sur l'évaluation du professionnel de la santé et du cas par cas.

## Transfert vers une toilette

### **⚠ AVERTISSEMENT**

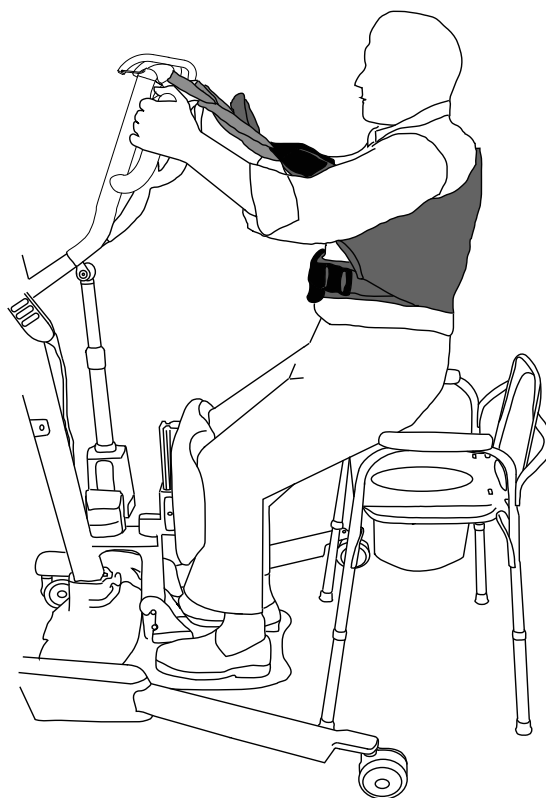
**Invacare recommande de verrouiller les roulettes pivotantes arrière uniquement au moment d'installer le patient dans la toile et de l'en retirer.**

*REMARQUE: Pour cette procédure, se référer à la FIGURE 5.1.*

1. Soulevez le patient à partir du côté du lit.
2. Appuyez sur le bouton MONTER de la commande manuelle pour soulever le patient jusqu'à ce ses bras soient éloignés de la chaise d'aisance. Le poids du patient sera maintenu par le lève-personne.
3. Guidez le patient vers la chaise d'aisance. Cette étape pourrait exiger deux préposés.
4. Appuyez sur le bouton arrow down pour abaisser le patient sur la toilette.
5. Verrouillez les roulettes pivotantes arrière du lève-personne.
6. Exécutez l'une des manœuvres suivantes :
  - Toile debout - décrochez la toile debout de ses points d'attache sur le lève-personne.
  - Toile de transport -
    - i. Décrochez la toile de transport de ses points d'attaches inférieurs sur le lève-personne.
    - ii. Soulevez les jambes du patients et retirez les supports de cuisses sous le patient.
    - iii. Si désiré, décrochez la toile de transport des points d'attache supérieurs sur le lève-personne.

*REMARQUE: Le patient peut demeurer dans la partie supérieure de la toile de transport tandis qu'il utilise la toilette.*

7. Dites au patient de retirer ses pieds de l'appui-pieds ou aidez-le à le faire.
8. Retirez la toile qui entoure le patient.
9. Déverrouillez les roulettes arrière et éloignez le lève-personne de la toilette.
10. Une fois terminé, assurez-vous de nouveau que les attaches soient bien en place.
11. Pour soulever le patient de la toilette.



**FIGURE 5.1** Transfert vers une toilette

## Le transfert vers un fauteuil roulant

REMARQUE: Pour cette procédure, se référer à la FIGURE 5.2.

1. Assurez-vous que les jambes du lève-personne soient ouvertes lorsque le patient est suspendu à l'aide du lève-personne. Appuyez sur le bouton pour ouvrir les jambes jusqu'à leur position maximale.
2. Positionnez le fauteuil roulant.
3. Enclenchez le blocage des roues du fauteuil roulant pour éviter tout mouvement de la chaise (Détail « A »).

### ⚠ AVERTISSEMENT

**NE placez PAS le patient dans le fauteuil roulant sans que le blocage soit enclenché. Le blocage des roues du fauteuil roulant DOIT être enclenché avant d'abaisser le patient dans le fauteuil roulant aux fins de déplacement. Autrement, des blessures ou des dommages pourraient s'ensuivre.**

4. Placez le patient au-dessus du fauteuil roulant (Détail « B »).
5. Appuyez sur le bouton arrow down pour abaisser le patient dans le fauteuil roulant.

### ⚠ AVERTISSEMENT

**Verrouillez les roulettes pivotantes arrière SEULEMENT au moment de placer ou de retirer la toile (debout ou transfert) du patient. Sinon, des blessures pourraient s'ensuivre.**

6. Verrouillez les roulettes pivotantes arrière.
7. Décrochez la toile de tous ses points d'attache sur le lève-personne.
8. Dites au patient de lever les pieds de la palette d'appui-pieds. Aidez le patient à le faire au besoin.
9. Retirez la toile qui entoure le patient.
10. Déverrouillez les roulettes arrière et éloignez le lève-personne du fauteuil roulant.

## Transfert du patient vers un lit

REMARQUE: Le champ de gravité inférieur offre une stabilité pour que le patient se sente plus en sécurité et que le lève-personne soit plus facile à déplacer.

1. Placez le patient le plus loin possible au milieu du lit.

REMARQUE: Si on transfère le patient d'une surface inférieure à celle du lit, appuyez sur le bouton up arrow pour soulever le patient au-dessus de la surface du lit. Le patient devrait se trouver soulevé à une hauteur dégagée du lit tandis qu'il est soulevé dans la toile.

2. Appuyez sur le bouton down arrow et abaissez le patient sur le lit.

### ⚠ AVERTISSEMENT

**Invacare recommande de verrouiller les roulettes pivotantes arrière UNIQUEMENT au moment d'installer le patient dans la toile et de l'en retirer.**

3. Verrouillez les roulettes pivotantes arrière.
4. Décrochez la toile debout ou de transport de tous les points d'attache qui la retiennent au lève-personne.
5. Dites au patient de lever les pieds du repose-pieds.

REMARQUE: Aidez le patient à le faire au besoin.

6. Retirez la toile debout ou de transport autour du patient.
7. Déverrouillez les roulettes arrière et éloignez le lève-personne du lit.

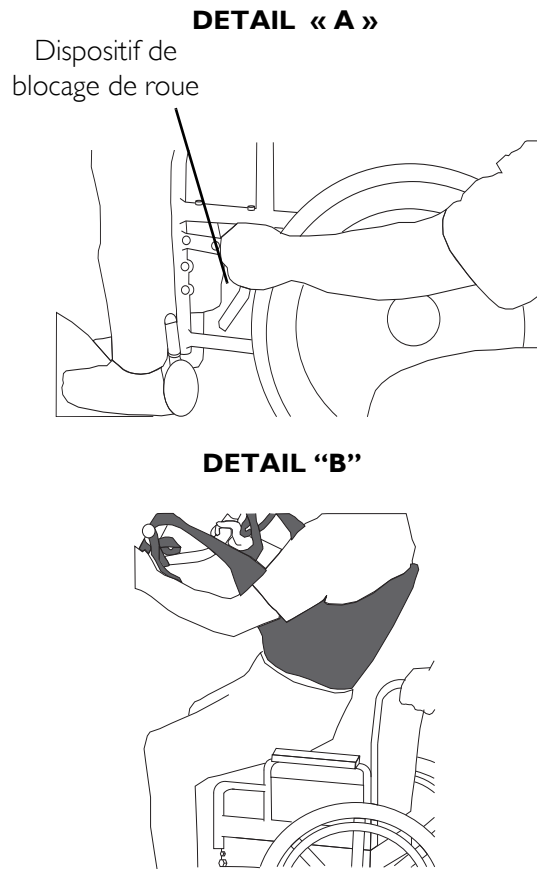


FIGURE 5.2 Le transfert vers un fauteuil roulant

## SECTION 6—DÉPANNAGE

SYMPTÔMES	PROBLÈMES	SOLUTIONS
Les pivots émettent un son bruyant ou sec.	L'appareil requiert une lubrification.	Refer to <u>La lubrification du lève-personne</u> on page 64.
L'actionneur électrique ne s'élève pas lorsqu'on appuie sur le bouton.	Les connecteurs de la commande manuelle ou de l'actionneur sont desserrés.  La pile est faible.  Le bouton d'arrêt d'urgence ROUGE est ENFONCÉ.  La pile n'est pas connectée correctement à la boîte de commande.  Les bornes de raccordement sont endommagées.  L'actionneur électrique requiert un entretien ou la charge est trop lourde.	Chargez les piles. Refer to <u>Le chargement de la pile</u> on page 39.  Effectuez une rotation du bouton d'arrêt d'urgence ROUGE dans le SENS HORAIRE jusqu'à ce qu'il se remette en place.  Rebranchez la pile à la boîte de commande Refer to <u>Le chargement de la pile</u> on page 39.  Remplacez le bloc-batteries. Refer to <u>Le chargement de la pile</u> on page 39.  Reportez-vous à la <u>Remplacement de l'actionneur électrique</u> on page 49.
Bruit inusité provenant du bras du lève-personne.	L'actionneur est usé ou abîmé ou l'axe est courbé.	Reportez-vous à la <u>Remplacement de l'actionneur électrique</u> on page 49.
Les bras du lève-personne ne s'abaissent pas à partir de la position supérieure.	Les bras du lève-personne requièrent une charge minimale pour s'abaisser à partir de la position supérieure.	Poussez légèrement sur les bras du lève-personne.
Les jambes ne s'ouvrent pas et ne se referment pas correctement.	Les actionneurs peuvent être usés ou endommagés, ou l'axe est plié.	Refer to <u>Remplacement des actionneurs de jambes</u> on page 50.

*REMARQUE: Si les problèmes persistent à la suite des actions suggérées, communiquez avec votre détaillant ou Invacare.*

## SECTION 7—ENTRETIEN

### Liste de contrôle de l'entretien

ARTICLE	À L'ORIGINE	INSPECTION/AJUSTEMENT INSTITUTIONNEL MENSUEL	INSPECTION À DOMICILE TOUS LES SIX (6) MOIS
<b>LA BASE</b> Assurez-vous que toutes les pièces soient incluses. Jambes ouvertes/fermées avec souplesse. Examinez les roulettes et les boulons de l'axe pour leur étanchéité et leur degré d'usure. Assurez-vous que les roulettes pivotent et tournent de façon régulière. Assurez-vous que les roulettes ne renferment aucun débris.	X X X X X	X X X X X	X X X X X
<b>LE MÂT</b> Le mât DOIT être monté sécuritairement sur les bras du lève-personne. Assurez-vous qu'il n'y ait pas de bosses ni de déviations.	X X	X X	X X
<b>BRAS DU LÈVE-PERSONNE ET LA TRINGLERIE</b> Examinez toute la quincaillerie et les points d'attache. Assurez-vous qu'il n'y ait pas de bosses ni de déviations. Examinez les raccords boulonnés des bras du lève-personne pour y déceler toute trace d'usure. Assurez-vous que la ceinture soit centrée entre les jambes de la base.	X X X X	X X X X	X X X X
<b>ACTIONNEUR ÉLECTRIQUE</b> Assurez-vous qu'il n'y ait pas d'usure ni de détérioration. (S'IL Y A DES DOMMAGES, COMMUNIQUEZ AVEC LE DÉTAILLANT) Mettez-le en marche afin d'assurer un fonctionnement régulier et silencieux.	X X	X X	X X
<b>NETTOYAGE</b> Au besoin.	X	X	X
<b>TOILES</b> VÉRIFIEZ TOUTES LES ATTACHES DE LA TOILE avant chaque utilisation afin de vous assurer qu'elles soient bien en place et que le patient est en sécurité. Assurez-vous que le tissu de la toile ne soit pas usé. Assurez-vous que les courroies ne soient pas usées.	X X X	X X X	X X X

*REMARQUE: Respectez les procédures d'entretien qui figurent dans ce manuel afin d'assurer le fonctionnement continu de votre lève-personne.*

Grâce à sa conception supérieure, le lève-personne d'Invacare vous offre un service sécuritaire et efficace à la hauteur de vos attentes avec peu d'entretien.

Bien que toutes les pièces du lève-personne d'Invacare soient faites à partir d'acier de la meilleure qualité, un contact métal sur métal provoque une usure à la longue.

Le seul ajustement ou entretien des roulettes qui soit nécessaire est le nettoyage, la lubrification et la vérification des essieux et des boulons. Retirez tous les débris, etc. de la roue et des tourillons pivotants. Si une pièce est usée, remplacez-la IMMÉDIATEMENT.

Si vous doutez de la sécurité d'une quelconque pièce du lève-personne, communiquez IMMÉDIATEMENT avec votre détaillant



## Nettoyage de la toile et du lève-personne

La toile devrait être lavée régulièrement dans une eau dont la température n'excède pas 180 °F (82 °C) et une solution biologique. Le nettoyage du lève-personne n'exige qu'un chiffon souple mouillé à l'eau et une petite quantité de savon doux. Le lève-personne peut être nettoyé à l'aide de nettoyeurs non abrasifs.

## Détection de l'usure et de l'endommagement

Il est essentiel d'examiner toutes les pièces contraintes tel que les toiles, les bras de soulèvement et tout pivot de lève-personne qui démontrent des signes de craquement, d'effilochement, de déformation ou de détérioration. Remplacez toute pièce défectueuse IMMÉDIATEMENT et assurez-vous que le lève-personne ne soit pas utilisé jusqu'à ce qu'il soit réparé.

## La lubrification du lève-personne

Le lève-personne d'Invacare est conçu pour un entretien minimal. Toutefois, la vérification et la lubrification tous les six (6) mois assurent une sécurité et une fiabilité continues.

Maintenez le lève-personne et les toiles propres et en bonne condition. Vous devez noter toute défektivité et en aviser votre détaillant dans les plus brefs délais.

Les roulettes DOIVENT pivoter et rouler avec aisance. On peut appliquer une graisse légère (un lubrifiant pour voitures à l'épreuve de l'eau) au tourillon pivotant à bille des roulettes une fois par année. Appliquez plus fréquemment si les roulettes sont sujettes à des conditions d'humidité extrêmes.

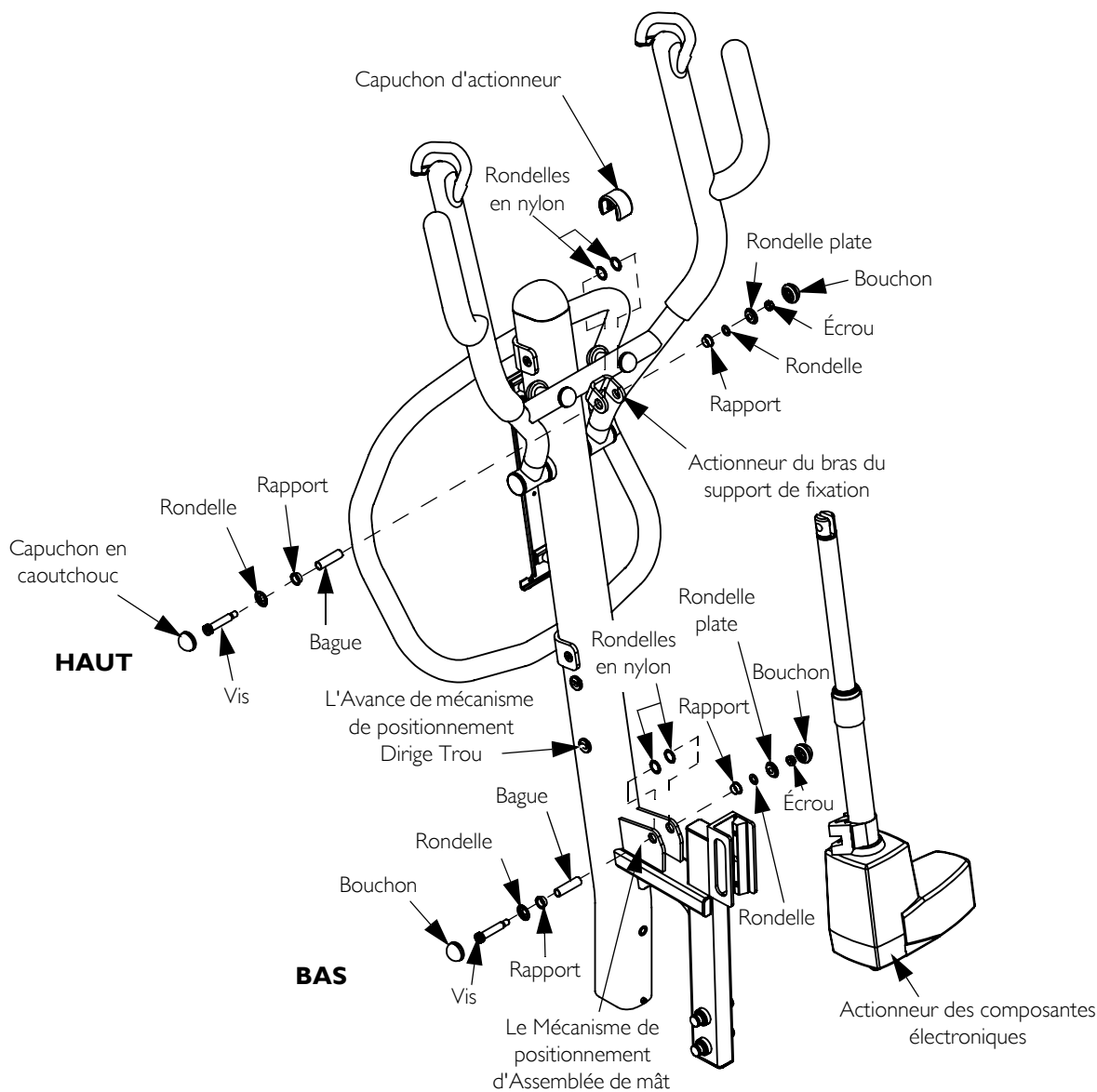
## Remplacement de l'actionneur électrique

*REMARQUE: Pour cette procédure, se référer à la FIGURE 7.1 à la page 50.*

1. Débranchez l'actionneur de la membrure de la boîte de commande du mât. Passez le fil de l'actionneur à travers le trou d'acheminement pour le fil de l'actionneur dans le mât.
2. Retirez l'équipement qui fixe la partie supérieure de l'actionneur de la membrure au support de fixation de l'actionneur de la membrure.
  - A. Retirez les capuchons de caoutchouc de l'écrou et de la vis qui retiennent l'actionneur électrique au support de fixation de l'actionneur du bras du lève-personne.
  - B. Retirez la vis, la rondelle de marche, le coussinet, la rondelle, le capuchon d'actionneur, la bague, la rondelle de marche, la rondelle plate et l'écrou.

*REMARQUE: Le capuchon de l'actionneur se desserrera au moment de retirer les ferrures attachées. Examinez le capuchon d'actionneur pour y déceler des dommages. Remplacez le capuchon d'actionneur si vous voyez qu'il est endommagé.*

3. Retirez l'équipement qui fixe la partie inférieure de l'actionneur de la membrure au support de fixation de l'actionneur de la membrure.
  - A. Retirez les capuchons de caoutchouc de l'écrou et de la vis qui retiennent l'actionneur électrique au support de fixation de l'actionneur du bras du lève-personne.
  - B. Retirez la vis, la rondelle de marche, le coussinet, la rondelle, le capuchon d'actionneur, la bague, la rondelle de marche, la rondelle plate et l'écrou.
4. Pour remplacer l'actionneur électrique, renversez les ÉTAPES 1 à 3.



**FIGURE 7.1** Remplacement de l'actionneur électrique

## Remplacement des actionneurs de jambes

*REMARQUE: Pour cette procédure, se référer à la FIGURE 7.2 à la page 51.*

*REMARQUE: Si les jambes du lève-personne ne s'ouvrent et ne se ferment pas correctement, vous devez sans doute remplacer les actionneurs d'une ou des deux jambes.*

1. Assurez-vous que les jambes fonctionnent correctement :

- Appuyez sur le bouton de la commande manuelle pour FERMER les jambes.
- Appuyez sur le bouton de la commande manuelle pour OUVRIR les jambes.

2. En tenant les poignées du mât, inclinez soigneusement le lève-personne jusqu'à ce qu'il s'appuie au sol.

*REMARQUE : Vous devez retirer les deux petits capuchons de la base avant de retirer le grand capuchon de la base.*

3. Retirez les 16 vis qui fixent les petits couvercles à la base.

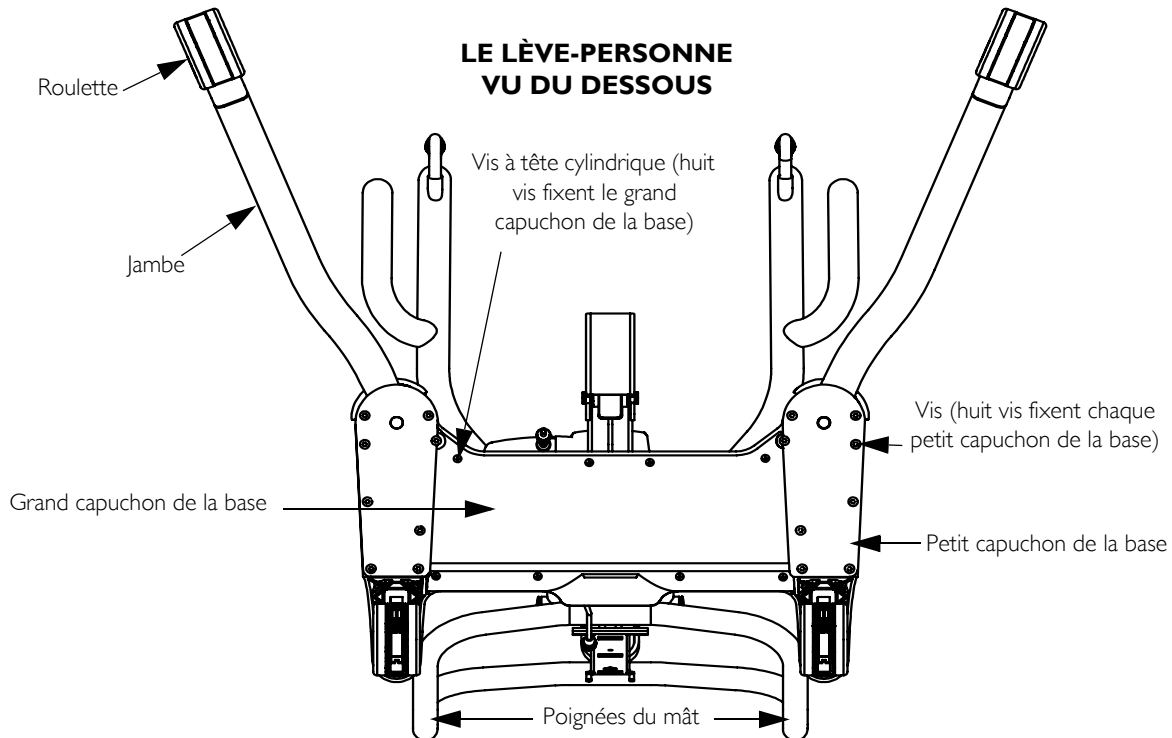
4. Enlevez les huit vis à tête cylindrique qui fixent le grand capuchon de la base à la base.

*REMARQUE : Si la jambe gauche ou la jambe droite du lève-personne ne fonctionne pas correctement, exécutez les étapes inscrites sur le côté de la base pour remplacer l'actionneur. Si les deux jambes ne fonctionnent pas correctement, procédez de cette façon pour remplacer des deux côtés de la base.*

5. Repérez et débranchez les fils de l'actionneur de la jambe.

*REMARQUE : Les fils de l'actionneur sont visibles lorsque vous aurez retiré le grand capuchon de la base.*

6. Enlevez la vis à pans creux et la rondelle qui fixent la jambe de l'actionneur à la base.
7. À l'autre extrémité de l'actionneur, retirez la vis à pans creux et l'écrou qui fixent l'actionneur de la jambe au support de la jambe.
8. Au besoin, répétez les ÉTAPES 5-7 de l'autre côté de la base pour retirer l'autre actionneur de la jambe.
9. Si vous devez remplacer les actionneurs, inversez les ÉTAPES 5-7.



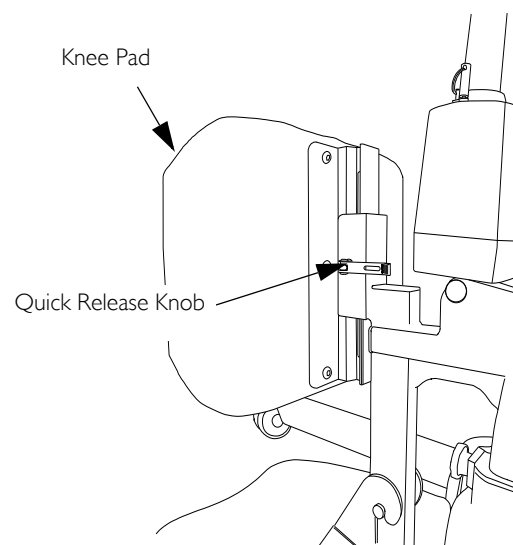
**FIGURE 7.2** Remplacement des actionneurs de jambes

## Réglage de la hauteur du coussin pour genoux

*REMARQUE: Pour cette procédure, se référer à la FIGURE 7.3.*

*REMARQUE: Lorsqu'il est bien réglé, le genou du patient entre en contact direct avec le coussin de genoux.*

1. Tout en retenant le coussin de genou, dégagez la poignée de blocage rapide sur le côté du support de fixation du coussin de genoux.
2. Choisissez un réglage de hauteur qui assure le confort du patient et qui lui procure le support approprié. Mettez la poignée de blocage rapide en position jusqu'à ce que le coussin de genoux soit bien fixé en place.



**FIGURE 7.3** Réglage de la hauteur du coussin pour genoux

# GARANTIE LIMITÉE

Cette garantie est valable uniquement pour l'acheteur/utilisateur original de nos produits.

Cette garantie vous donne des droits légaux spécifiques. Vous pouvez jouir d'autres droits qui s'appliquent d'une province à l'autre.

Invacare garantit que les produits fabriqués sont libres de toutes déficiences quant aux matériaux et à la fabrication pour une période de cinq ans en ce qui a trait au lève-personne et d'un an pour les composantes électriques et ceci, à partir de la date d'achat. Si, au cours de la période de garantie, un produit est jugé défectueux, il sera réparé ou remplacé à la discrétion d'Invacare, avec partie rénovée ou nouvelle. Cette garantie ne comprend pas la main-d'œuvre ou les frais d'expédition encourus pour le remplacement de pièces ou la réparation dudit produit. L'unique obligation d'Invacare et votre recours exclusif dans cette garantie se limitera à une telle réparation et/ou un tel remplacement.

Pour le service au titre de la garantie, communiquez avec le détaillant chez qui vous avez acheté le produit Invacare. Les réparations de produit n'étendront pas cette garantie - la couverture pour le produit réparé terminera quand cette garantie limitée termine. En cas d'insatisfaction à l'égard du service au titre de la garantie, écrivez directement à Invacare à l'adresse qui figure sur la quatrième de couverture en indiquant le nom et l'adresse du détaillant, la date d'achat et la nature du défaut.

Invacare Corporation émettra une autorisation de retour avec numéro de série. L'unité ou la pièce défectueuse DOIT être retournée pour une inspection de garantie et doit renfermer son numéro de série, le cas échéant, aux fins d'identification dans les trente jours suivant la date d'autorisation du retour. NE retournez PAS de produits à notre usine sans autorisation préalable de notre part. Les envois contre remboursement (C.O.D) seront refusés ; veuillez prépayer les frais d'envoi.

**LIMITES ET EXCLUSIONS : LA GARANTIE SUSMENTIONNÉE NE S'APPLIQUE PAS AUX PRODUITS DONT LE NUMÉRO DE SÉRIE A ÉTÉ RETIRÉ OU MODIFIÉ ; AUX PRODUITS QUI ONT FAIT L'OBJET DE NÉGLIGENCE OU D'ACCIDENT, D'UNE MAUVAISE UTILISATION, D'UN MAUVAIS ENTRETIEN OU D'UN MAUVAIS ENTREPOSAGE ; AUX PRODUITS MODIFIÉS SANS L'ACCORD ÉCRIT D'INVACARE, Y COMPRIS, SANS S'Y LIMITER, LA MODIFICATION AU MOYEN DE PIÈCES OU DE RALLONGES NON AUTORISÉES ; AUX PRODUITS ENDOMMAGÉS À LA SUITE DE RÉPARATIONS DE TOUTES COMPOSANTES SANS L'ACCORD SPÉCIFIQUE D'INVACARE ; AUX PRODUITS ENDOMMAGÉS DANS DES CIRCONSTANCES HORS DU CONTRÔLE D'INVACARE. UNE TELLE ÉVALUATION NE SERA FAITE QUE PAR INVACARE. CETTE GARANTIE NE S'APPLIQUE PAS À DES PROBLÈMES DUS À L'USURE NORMALE OU AU NON-RESPECT DES INSTRUCTIONS CONTENUES DANS CE MANUEL.**

**LA GARANTIE SUSMENTIONNÉE EST EXCLUSIVE ET REMPLACE TOUTE AUTRE GARANTIE. LES GARANTIES IMPLICITES, S'IL Y A LIEU, COMPRENNENT LES GARANTIES IMPLICITES DE QUALITÉ MARCHANDE ET D'APTITUDE À UN USAGE PARTICULIER, NE S'ÉTENDRA PAS AU-DELÀ DE LA DURÉE DE LA GARANTIE MENTIONNÉE DANS LA PRÉSENTE ET L'UNIQUE RECOURS EN CAS DE VIOLATION DE QUELCONQUE GARANTIE SERA LIMITÉ À LA RÉPARATION OU AU REMPLACEMENT DU PRODUIT DÉFECTUEUX CONFORMÉMENT AUX CONDITIONS ÉNONCÉES DANS LA PRÉSENTE. INVACARE N'EST PAS RESPONSABLE DES DOMMAGES INDIRECTS OU ACCESSOIRES, QUELS QU'ILS SOIENT.**

**CERTAINS ÉTATS/PROVINCES NE PERMETTENT PAS D'EXCLUSION OU DE LIMITATION DES DOMMAGES INDIRECTS OU ACCESSOIRES OU DES LIMITATIONS SUR LA DURÉE DE VIE D'UNE GARANTIE RESTREINTE ; AINSI, LES EXCLUSIONS ET LIMITATIONS MENTIONNÉES CI-DESSUS PEUVENT NE PAS S'APPLIQUER DANS VOTRE CAS.**

**CETTE GARANTIE SERA ÉTENDUE POUR RESPECTER LES LOIS ET RÈGLEMENTS PROVINCIAUX/D'ÉTAT.**

Invacare Corporation

[www.invacare.com](http://www.invacare.com)



*Yes, you can.*

**USA**

One Invacare Way  
Elyria, Ohio USA  
44036-2125  
800-333-6900

**Canada**

570 Matheson Blvd. E Unit 8  
Mississauga Ontario  
L4Z 4G4 Canada  
800-668-5324

© 2013 Invacare Corporation. All rights reserved. Reproduction, duplication or modification in whole or in part is prohibited without prior written permission from Invacare. Trademarks are identified by ™ and ®. All trademarks are owned by or licensed to Invacare Corporation or its subsidiaries unless otherwise noted.

Part No. 1150703

Rev E - 11/13



## Free Manuals Download Website

<http://myh66.com>

<http://usermanuals.us>

<http://www.somanuals.com>

<http://www.4manuals.cc>

<http://www.manual-lib.com>

<http://www.404manual.com>

<http://www.luxmanual.com>

<http://aubethermostatmanual.com>

Golf course search by state

<http://golfingnear.com>

Email search by domain

<http://emailbydomain.com>

Auto manuals search

<http://auto.somanuals.com>

TV manuals search

<http://tv.somanuals.com>