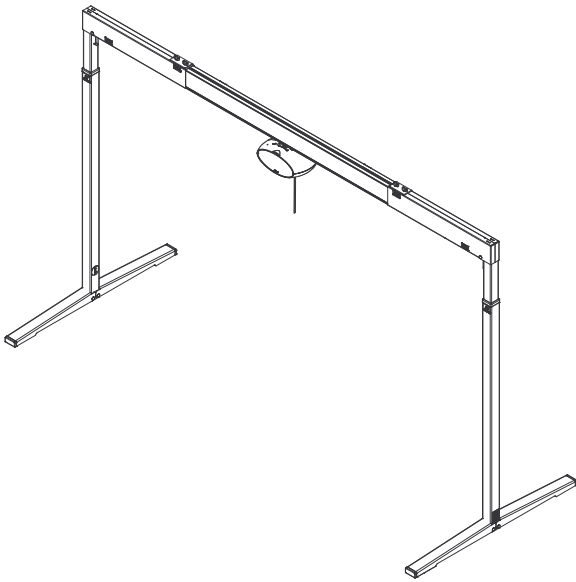


# Invacare® I-Transia™

## EN Adjustable Freestanding Rail System User Manual



EN

## I General

### I.1 Symbols

Signal words are used in this manual and apply to hazards or unsafe practices which could result in personal injury or property damage. See the information below for definitions of the signal words.



#### **WARNING!**

– Warning indicates a potentially hazardous situation which, if not avoided, could result in death or serious injury.



#### **CAUTION!**

– Caution indicates a potentially hazardous situation which, if not avoided, may result in property damage or minor injury or both.



#### **IMPORTANT**

– Indicates a hazardous situation that could result in damage to property if it is not avoided.



Gives useful tips, recommendations and information for efficient, trouble-free use.



This product complies with Directive 93/42/EEC concerning medical devices.

The launch date of this product is stated in the EC declaration of conformity.

### I.2 Intended Use

I-Transia is a hoist which covers the need for lifting or moving a person with disabilities in the home care sector, nursing homes, rehabilitation centres, and institutions.



This manual **MUST** be given to the user of the product. **BEFORE** using this product, read this manual and save for future reference.

The freestanding rail system is a portable rail system which can be set up in many locations\* and requires no mounting on walls, ceiling or floors. The freestanding rail system is length and height adjustable.



\*The freestanding rail system and hoist are not designed for use in moist or wet areas.

### I.3 Conditions for Use

The use of the I-Transia hoist is subject to the following:

- The I-Transia should only be used by trained personnel.
- The safe working load (SWL), 205 kg (450 lbs) or 250 kg (550 lbs), must not be exceeded. Refer to 2.3 Load Limits, page 2.
- The instruction offered by Invacare to all customer groups in connection with the purchase of a hoist has been received.
- The caregiver pays attention to the well-being of the user when using the hoist.
- The hoist is used in rail systems which are installed, tested and approved according to DS/EN 10535 and Invacare's stipulations.
- Only technicians who have been certified by Invacare may install and test the rail systems.
- The hoist is used with an Invacare hanger bar.
- The hoist is used with an Invacare lifting sling or with other suitable slings. Refer to the I-Transia hoist user manual for more information about slings.

### I.4 Service Life

The I-Transia freestanding rail system has an expected lifetime of 15 years, if used according to the procedures in this manual.



**Yes, you can.®**

## 2 Safety

### 2.1 General Guidelines



#### WARNING!

- Read and understand these instructions. **DO NOT** use this product without reading and understanding these instructions and the hoist user manual. If you need help with these instructions, contact a healthcare professional or an Invacare dealer. Otherwise injury or damage may occur.

#### ACCESSORIES WARNING

- Invacare products can only be used with accessories made by Invacare. Accessories not made by Invacare have not been tested by Invacare. Accessories not made by Invacare should not be used.



The information contained in this document is subject to change without notice.

Check all parts for shipping damage before using. In case of damage, **DO NOT** use the equipment. Contact an Invacare dealer for further instructions.

### 2.2 Operating Information

This section of the manual contains general safety information about your product. For specific safety information, refer to the appropriate section of the manual and procedures within that section.

#### General



#### WARNING!

- This manual covers the installation of the freestanding rail system. Refer to the I-Transia user manual for safety information related to using and maintaining the hoist.
- Read the instructions carefully before using the I-Transia and in connection with cleaning and service of the hoist.
  - The freestanding system can be set up and taken down by one person.
  - The freestanding rail system should be set up on a level surface.
  - The I-Transia's maximum load must never be exceeded.
  - The I-Transia may only be used to lift or move a person with disabilities.
  - The freestanding rail system must not be used for any other purpose than that stated in this user manual. The rail system is not a playground or a swing device.
  - If the I-Transia fails while in use, stop using the hoist, transfer the patient using a different method and contact an Invacare dealer for repair by a certified technician.
  - This product is mechanically protected against derailing and jamming.
  - The end stops have to be properly installed and locked with spring pins, and the 2 yellow thumb screws on the top brackets have to be properly tightened before using the system.
  - Check the freestanding system regularly to ensure it is stable.

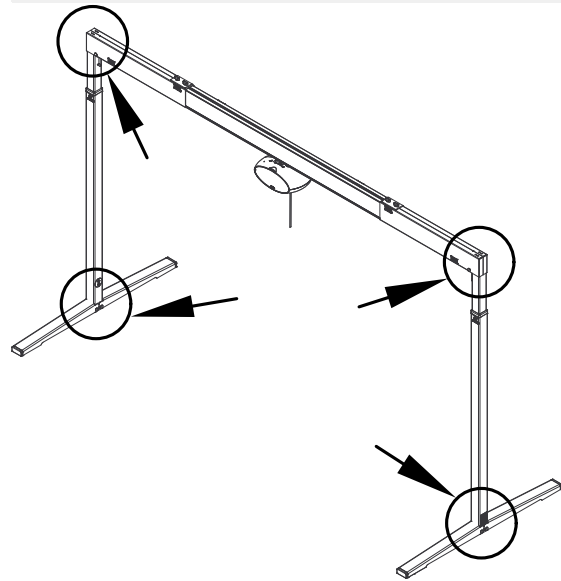
### Pinch Points and Positioning



#### WARNING!

##### Risk of Injury

- Pinch points are present on the strap carabiner **A** and fingers could be pinched.
- The hanger bar **B** can move suddenly and cause injury.
- **ALWAYS** keep hands and fingers clear of moving parts to avoid injury.
  - When positioning the hoist, be aware of the position of the hanger bar **B** and the patient. Injury could occur.



#### WARNING!

- Pinch points are present in the pivot points of the vertical poles and between the top rail and the vertical poles.
- **ALWAYS** keep hands and fingers clear of moving parts to avoid injury.
  - **ALWAYS** keep hands and fingers clear of pinch points during setup of the freestanding rail system.

### 2.3 Load Limits

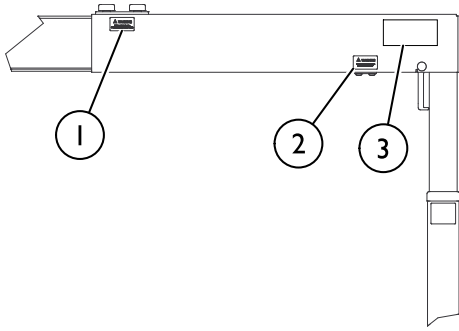
Read the label on each component which indicates the maximum load limits for each component.

The component, e.g. hanger bar, lifting sling, etc. labelled with the lowest load limit determines the maximum load limit for the entire system.

This maximum load limit must not be exceeded.

Please note that the max load may change when different components are used, such as hanger bars, lifting slings, etc.

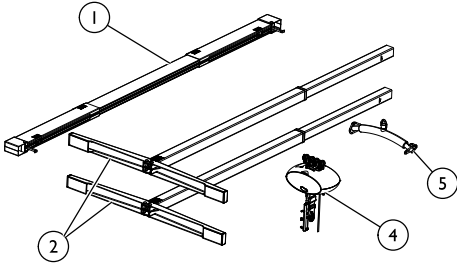
## 2.4 Product Labeling



Item	Label Text
1	<b>WARNING</b> Tighten top wing knob nuts firmly by hand before system usage.
2	
3	

## 3 Setup

### 3.1 Included Items



Each kit contains the following items:

1. Top bracket and rail module
2. Vertical pole module (x2)
3. User manual, part number 1183379 (not shown)
4. Hoist\*
5. Hanger bar
6. 5 mm Allen key (not shown)

\* The Hoist comes with a separate Hoist User Manual (part number 1183377). Refer to this manual for information on the safe operation and maintenance of the hoist.

## 3.2 Inspection



### WARNING!

#### Risk of Injury

Damaged components of the freestanding rail system could cause injury.

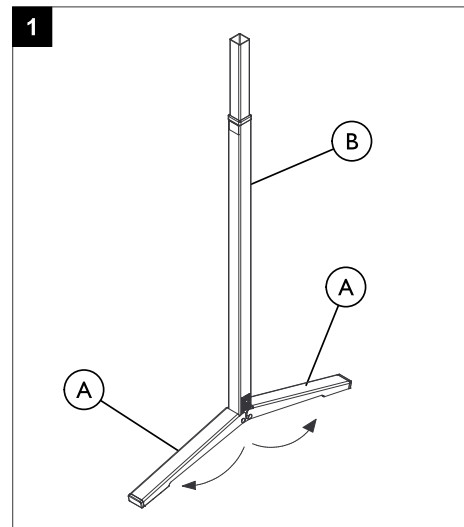
- Inspect the packaging upon receipt.
- If the packaging is damaged, the components of the freestanding rail system should be carefully checked for noticeable imperfections, defects or flaws.
- If damage is suspected, DO NOT use or assemble the freestanding rail system. Contact an Invacare dealer.

## 3.3 Assembling the Freestanding Rail



For ease of assembly, ensure vertical posts are in their lowest position. Refer to 3.6 Adjusting the Height, page 5.

1. Open the legs **A** of one vertical pole module **B**.

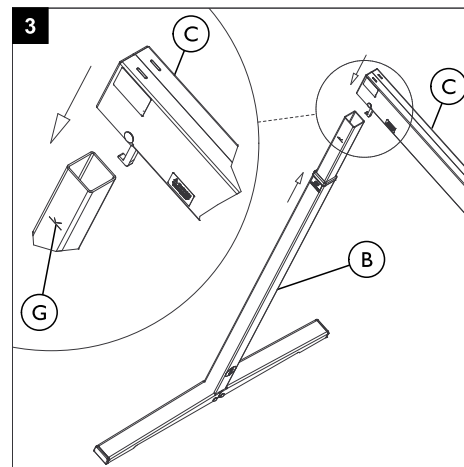


2. Raise the vertical pole module **B**.
3. Lift one end of the top bracket and rail module **C** and mount it on top of the vertical pole module **B**.

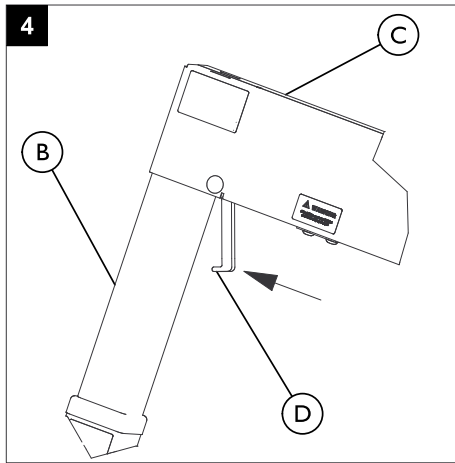


The top bracket must be flush with the mark **G** on the vertical pole.

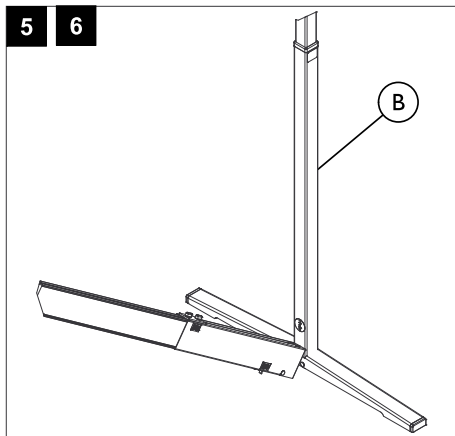
It will be necessary to tilt the top bracket and rail module and vertical pole to assemble them.



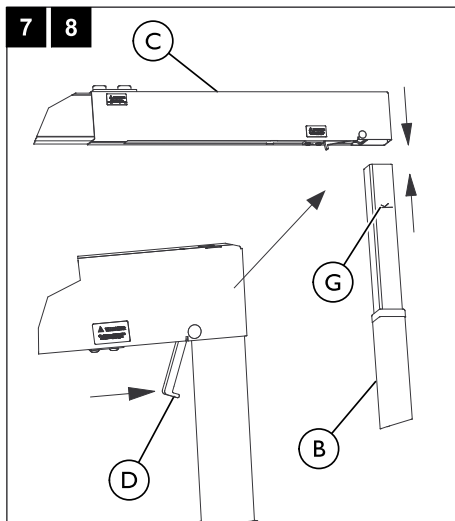
4. Lock the top bracket **C** to the vertical pole **B** with the locking arm **D**.



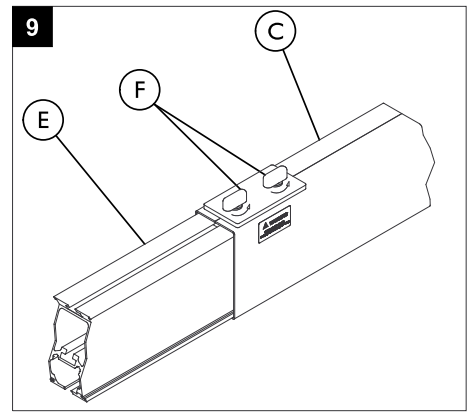
5. Open the legs of the second vertical pole module.
6. Raise the second vertical pole module B.



7. Lift the other end of the top bracket and rail module C and mount it on top of the vertical pole module C.
  - i* The top bracket must be flush with the mark on the vertical pole G.
8. Lock the top bracket C to the vertical pole B with the locking arm D.



9. Lock the rail module E to the top bracket module C with the two yellow thumb screws F.



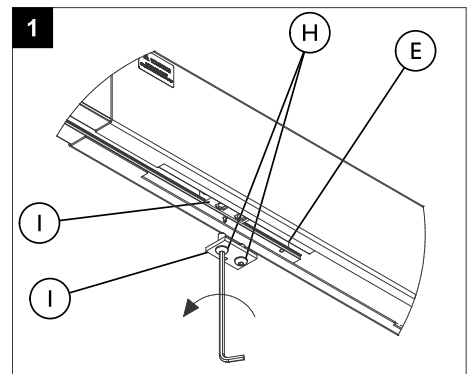
### 3.4 Installing the Hoist



**WARNING!**

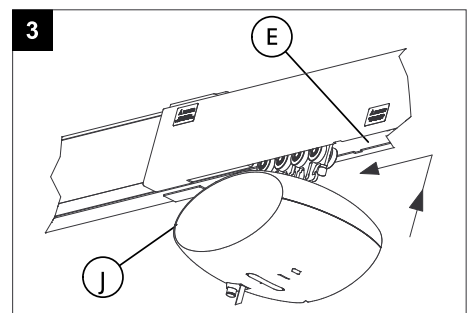
– Before installing the hoist, read and understand the hoist user manual, part number I183377.

- I. Loosen the two screws H securing the end stop I to the rail E.

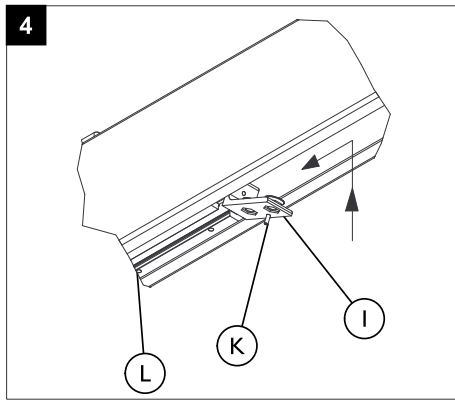


2. Remove the end stop from the rail.
  - i* It may be necessary to tilt the end stop as you remove it from the rail.
  - If the end stop cannot be tilted and removed, remove the two screws from the end stop.

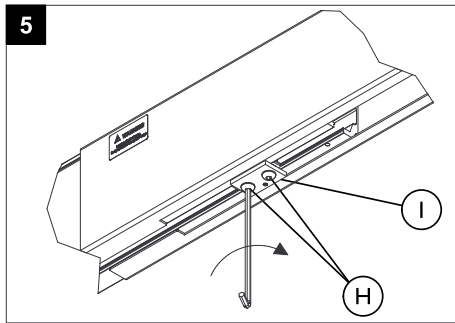
3. Insert the hoist J into the rail E.



4. Mount the end stop I, making sure that the spring pin K is positioned in the pre-drilled hole L.
  - i* The end stop may need to be tilted to enable mounting.
  - If the screws were removed while removing the end stop, install the two screws after the end stop is in position.



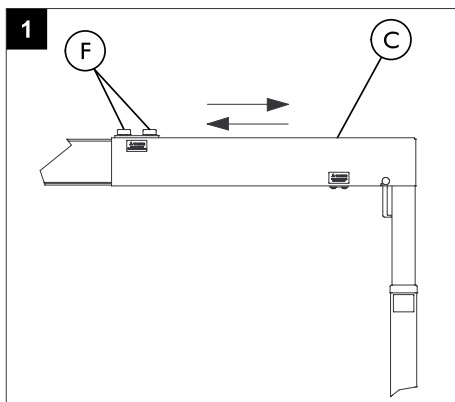
5. Tighten the two screws (H) in the end stop (I).



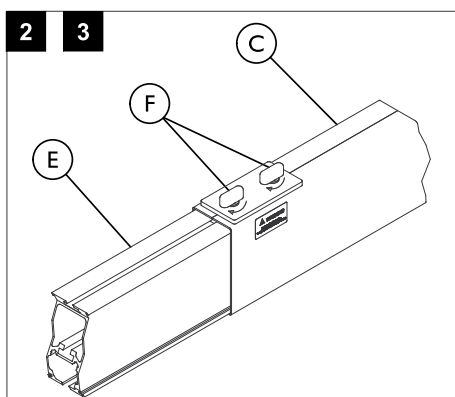
### 3.5 Adjusting the Width

Follow this procedure to adjust the freestanding rail system to the room size.

1. Loosen the two yellow thumb screws (F) on the top the bracket (C).



2. Push or pull the top bracket (C) to adjust the width of the system.  
3. Tighten the thumb screws (F) to secure the top bracket (C) to the rail (E).

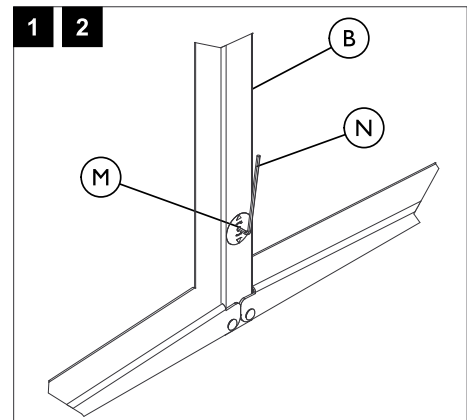


4. Repeat STEPS 1-3 for the other side of the freestanding rail system.


### 3.6 Adjusting the Height

Follow this procedure to adjust the height of the rail.

1. Locate the height adjustment socket (M) at the side of the vertical pole (B).
2. Insert the provided 5 mm Allen key (N) in the height adjustment socket at the side of the vertical pole.

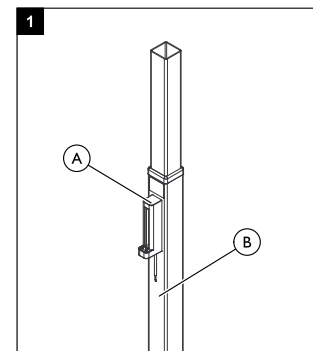


3. Turn the Allen key to adjust the height of the freestanding rail system.
4. Repeat STEPS 1-3 for the opposite vertical pole.
5. Make sure the top bracket and rail are level.

 Use a spirit level to ensure the top bracket and rail are level.

### 3.7 Installing the Charging Dock

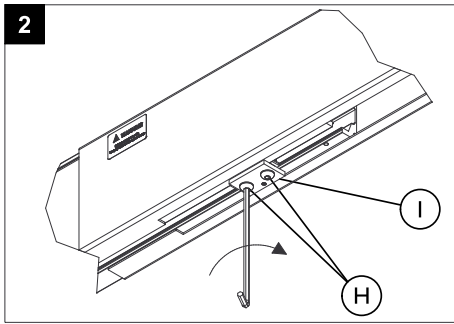
1. Use the enclosed hook and loop fastening strips (not shown) to secure the recharging dock (A) to the lower portion of the vertical pole (B).




## 4 After Use

### 4.1 Disassembly

1. Lower the vertical poles to the lowest position. 3.6 Adjusting the Height, page 5.
2. Performing one of the following:
  - Reverse the hoist installation steps to remove the hoist. Refer to 3.4 Installing the Hoist, page 4.
  - Loosen the screws (H) in the end stops (I) and move the end stops on either side of the hoist to secure the hoist in position.



3. Lower the vertical poles to the lowest position. Refer to 3.6 Adjusting the Height, page 5 .
4. Reverse the assembly steps to disassemble the system. Refer to 3.3 Assembling the Freestanding Rail, page 3 .

 It may be necessary to push the top bracket upwards in order to separate it from the vertical pole module.

## 4.2 Transport

1. Disassemble the freestanding rail system. Refer to 4.1 Disassembly, page 5 .
2. Put the components of the system into the portable carrier bag (optional accessory).

## 4.3 Storage



### CAUTION! Risk of Product Damage

- The freestanding rail system should be stored in a room where the humidity does not exceed 70%.
- Do not store the system in a bathroom.

## 5 Maintenance

### 5.1 Cleaning



### CAUTION! Risk of Product Damage

- DO NOT autoclave or use harsh chemicals when cleaning the system.

Clean the freestanding system with a damp cloth using ordinary household detergents and household disinfectant.

To prevent cross-infection, the parts of the hoist that come in contact with caregivers and patients must be cleaned and disinfected. A soft cloth, dampened with water and a small amount of dish liquid, is all that is needed to clean the hoist, lifting strap and carabiner. The hoist can be cleaned with non-abrasive cleaners.

## 6 Troubleshooting

### 6.1 Troubleshooting Table

PROBLEM	SOLUTION	PROCEDURE
The system is not stable.	Check that the feet are mounted correctly.	Refer to 3.3 Assembling the Freestanding Rail, page 3 .
	Check the vertical poles are pushed securely into the top bracket.	
	Check that the rails are level.	
	Check that the top brackets are tightened.	
	Check that the top brackets have been positioned correctly.	
	Check that the yellow thumb screws are tightened.	
	Check the top brackets for defects or deformities. If found, contact an Invacare dealer or certified technician.	
The height adjustment is not working.	Using the 5 mm Allen key, check that the vertical pole is not stuck in the far end position.	Refer to 3.6 Adjusting the Height, page 5 .
	If the top part of the vertical pole is not moving when turning the Allen key, stop using the system and contact an Invacare dealer or certified technician.	

## 7 Technical Data

### 7.1 Typical Product Parameters

#### Freestanding rail system

Minimum Dimensions (HxW)	2020 x 2720 mm (79.5 in x 107 in)
Maximum Dimensions (HxW)	2820 x 3890 mm (111 in x 153 in)
Maximum lifting capacity	250 kg (550 lb)

#### Total weight without hoist

Freestanding rail system	52.0 kg (114.5 lb)
Vertical pole, each	13.5 kg (30 lb)
Top brackets and rail	25.0 kg (55 lb)

#### Materials

Rails and posts	Anodized aluminum
Feet	Powder varnished steel
Brackets	Powder varnished steel

## 8 Warranty

### 8.1 Limited Warranty — Europe

Terms and conditions of the warranty are part of the general terms and conditions particular to the individual countries in which this product is sold.

In order to comply with Health & Safety regulations and to ensure that our employees are not exposed to the risk of infection, we must insist that all products returned for repair are thoroughly cleaned. Any product sent to Invacare which appears to be contaminated will be rejected and disposed of immediately at the customer's expense.

### 8.2 Limited Warranty — North America

 PLEASE NOTE: THE WARRANTY BELOW HAS BEEN DRAFTED TO COMPLY WITH FEDERAL LAW APPLICABLE TO PRODUCTS MANUFACTURED AFTER JULY 4, 1975.

This warranty is extended only to the original purchaser/user of our products.

This warranty gives you specific legal rights and you may also have other legal rights which vary from state to state.

Invacare warrants the products manufactured to be free from defects in materials and workmanship for a period of one year from the date of purchase. If within such warranty period any such product shall be proven to be defective, such product shall be repaired or replaced, at Invacare's option. This warranty does not include any labor or shipping charges incurred in replacement part installation or repair of any such product. Invacare's sole obligation and your exclusive remedy under this warranty shall be limited to such repair and/or replacement.

For warranty service, please contact the dealer from whom you purchased your Invacare product. In the event you do not receive satisfactory warranty service, please write directly to Invacare at the address on the back cover, provide dealer's name, address, date of purchase, indicate nature of the defect.

Invacare Corporation will issue a serialized return authorization. The defective unit or parts MUST be returned for warranty inspection using the serial number, when applicable as identification within 30 days of return authorization date. Do not return products to our factory without our prior consent. C.O.D. shipments will be refused; please prepay shipping charges.

LIMITATIONS AND EXCLUSIONS: THE FOREGOING WARRANTY SHALL NOT APPLY TO SERIAL NUMBERED PRODUCTS IF THE SERIAL NUMBER HAS BEEN REMOVED OR DEFACED, PRODUCTS SUBJECTED TO NEGLIGENCE, ACCIDENT, IMPROPER OPERATION, MAINTENANCE OR STORAGE, PRODUCTS MODIFIED WITHOUT INVACARE'S EXPRESS WRITTEN CONSENT (INCLUDING, BUT NOT LIMITED TO, MODIFICATION THROUGH THE USE OF UNAUTHORIZED PARTS OR ATTACHMENTS; PRODUCTS DAMAGED BY REASON OF REPAIRS MADE TO ANY COMPONENT WITHOUT THE SPECIFIC CONSENT OF INVACARE, OR TO A PRODUCT DAMAGED BY CIRCUMSTANCES BEYOND INVACARE'S CONTROL, AND SUCH EVALUATION WILL BE SOLELY DETERMINED BY INVACARE. THE WARRANTY SHALL NOT APPLY TO PROBLEMS ARISING FROM NORMAL WEAR OR FAILURE TO ADHERE TO THE INSTRUCTIONS IN THIS MANUAL.

THE FOREGOING WARRANTY IS EXCLUSIVE AND IN LIEU OF ANY OTHER EXPRESS WARRANTIES. IMPLIED WARRANTIES, IF ANY, INCLUDING THE IMPLIED WARRANTIES OF MERCHANTABILITY AND FITNESS FOR A PARTICULAR PURPOSE, SHALL NOT EXTEND BEYOND THE DURATION OF THE EXPRESSED WARRANTY PROVIDED HEREIN AND THE REMEDY FOR VIOLATIONS OF ANY IMPLIED WARRANTY SHALL BE LIMITED TO REPAIR OR REPLACEMENT OF THE DEFECTIVE PRODUCT PURSUANT TO THE TERMS CONTAINED HEREIN. INVACARE SHALL NOT BE LIABLE FOR ANY CONSEQUENTIAL OR INCIDENTAL DAMAGES WHATSOEVER. SOME STATES DO NOT ALLOW EXCLUSION OR LIMITATION OF INCIDENTAL OR CONSEQUENTIAL DAMAGE, OR LIMITATION ON HOW LONG AN IMPLIED WARRANTY LASTS, SO THE ABOVE EXCLUSIONS AND LIMITATIONS MAY NOT APPLY TO YOU.

**United Kingdom**

Invacare Limited • Pencoed Technology Park, Pencoed, Bridgend CF35 5AQ • Tel: (44) (0) 1656 776 222 • Fax: (44) (0) 1656 776 220 • www.invacare.co.uk • UK@invacare.com

**Ireland**

Invacare Ireland Ltd • Unit 5 Seatown Business Campus • Seatown Road • Swords • County Dublin – Ireland • Tel : (353) 1 810 7084 • Fax: (353) 1 810 7085 • www.invacare.ie • ireland@invacare.com

**Australia**

Invacare Australia Pty Ltd. • 1 Lenton Place • North Rocks • NSW 2151 • Australia • Tel: (61) 2 8839 5333 • Fax: (61) 2 8839 5353 • www.invacare.com.au • sales@invacare.com.au

**New Zealand**

Invacare New Zealand • 4 Westfield Place • Mt. Wellington • Auckland • New Zealand • Tel: (64) 9 917 3939 • Fax: (64) 9 917 3957 • www.invacare.co.nz • sales@invacare.co.nz

**France**

Invacare Poirier SAS • Route de St Roch • F-37230 Fondettes • Tel: (33) (0)2 47 62 64 66 • Fax: (33) (0)2 47 42 12 24 • www.invacare.fr • contactfr@invacare.com

**Switzerland**

Invacare AG • Benkenstrasse 260 • CH-4108 Witterswil • Tel.: (41) (0)61 487 70 80 • Fax.: (41) (0)61 487 70 81 • www.invacare.ch • switzerland@invacare.com

**Deutschland**

Invacare GmbH • Alemannenstraße 10 • D-88316 Isny • Tel: (49) (0)75 62 7 00 0 • Fax: (49) (0)75 62 7 00 66 • www.invacare.de • kontakt@invacare.com

**Portugal**

Invacare Lda • Rua Estrada Velha • 949 • P-4465-784 Leça do Balio • Tel: (351) (0)225 1059 46/47 • Fax: (351) (0)225 1057 39 • www.invacare.pt • portugal@invacare.com

**España**

Invacare SA • c/Areny s/n • Poligon Industrial de Celrà • E-17460 Celrà (Girona)Tel: (34) (0)972 49 32 00 • Fax: (34) (0)972 49 32 20 • www.invacare.es • contactsp@invacare.com

**Belgium & Luxemburg**

Invacare nv • Autobaan 22 • B-8210 Loppem • Tel: (32) (0)50 83 10 10 • Fax: (32) (0)50 83 10 11 • belgium@invacare.com • www.invacare.be

**Nederland**

Invacare BV • Celsiusstraat 46 • NL-6716 BZ Ede • Tel: (31) (0)318 695 757 • Fax: (31) (0)318 695 758 • nederland@invacare.com • www.invacare.nl • cseede@invacare.com

**Norge**

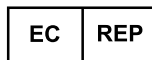
Invacare AS • Grensesvingen 9 • Postboks 6230 • Etterstad • N-0603 Oslo • Tel: (47) (0)22 57 95 00 • Fax: (47) (0)22 57 95 01 • norway@invacare.com • www.invacare.no • island@invacare.com

**Österreich**

Invacare Austria GmbH • Herzog Odilostrasse 101 • A-5310 Mondsee • Tel: (43) 6232 5535 0 • Fax: (43) 6232 5535 4 • info@invacare-austria.com • www.invacare.at

**Manufacturer**

V. Guldmann A/S  
Graham Bells Vej 21-23A  
DK-8200 Aarhus N, Denmark

**EU Representative**

Invacare Limited  
Pencoed Technology Park  
Pencoed, Bridgend CF35 5AQ  
United Kingdom

**Invacare Corporation****USA**

One Invacare Way  
Elyria, Ohio USA  
44036-2125  
800-333-6900  
www.invacare.com

1183379-A 2013-04-29



**Making Life's Experiences Possible™**



**Yes, you can.®**



## Free Manuals Download Website

<http://myh66.com>

<http://usermanuals.us>

<http://www.somanuals.com>

<http://www.4manuals.cc>

<http://www.manual-lib.com>

<http://www.404manual.com>

<http://www.luxmanual.com>

<http://aubethermostatmanual.com>

Golf course search by state

<http://golfingnear.com>

Email search by domain

<http://emailbydomain.com>

Auto manuals search

<http://auto.somanuals.com>

TV manuals search

<http://tv.somanuals.com>