

SAVE THESE INSTRUCTIONS

NOTE: Check all parts for shipping damage. In case of shipping damage, DO NOT use. Contact carrier/dealer for further instruction.

To ensure the safe installation, operation and use of the Jasmine Scale, these instructions **MUST** be followed:

⚠ WARNING

DO NOT use this equipment without first reading and understanding these instructions. If you are unable to understand the **Warnings, Cautions, and Instructions**, contact distributor before attempting to use this equipment, otherwise, injury or damage may result.

The weight capacity is limited to the lowest rated capacity of any one of the components in use (i.e., Patient Lift, Sling or Scale). The patient's weight **MUST NOT** exceed the lowest rated capacity of any component.

After **ANY** adjustments, repair or service and before use, make sure that all attaching component parts are secure.

⚠ ACCESSORIES WARNING

Invacare products are specifically designed and manufactured for use in conjunction with Invacare accessories. Accessories designed by other manufacturers have not been tested by Invacare and are not recommended for use with Invacare products.

Kit Description

DESCRIPTION	QUANTITY
Load Cell Assembly	1
Nylon Washers	2
Swivel Bar Pin	1
Locknut	1
Mounting Screw	1
Small Steel Washer	1

Specifications

Weight Range:	Up to 500 lbs (226.7 Kg)
Resolution:	+/- 0.2 lbs (0.1 Kg)
Display:	Liquid Crystal Digital
Automatic Power Down:	Two minutes
Size:	5-3/4 L X 3-5/8 W X 4 H
Weight:	.55 lbs
Power:	9-Volt Alkaline battery (included)
Battery Life:	Approximately 1500 readings
Temperature Range:	50° To 104°F (10° To 40°C)

For more information regarding Invacare products, parts, and services, please visit www.invacare.com

Removing the Swivel Bar/Cradle Attachment

NOTE: For this procedure, refer to FIGURE 1.

1. Remove the side rubber caps.

NOTE: Support the swivel bar or cradle attachment from underneath while removing the attaching hardware.

2. Remove the socket head screw, washer, bushings, top rubber cap, nylon spacers, washer and nut that attach the swivel bar or cradle attachment to the boom.

NOTE: When the attaching hardware is removed, the pin, washer and o-ring will become loose.

NOTE: Save the socket screw, small steel washer and locknut to secure the Jasmine Scale to the boom.

NOTE: Save the remaining hardware for future use of the swivel bar or cradle attachment without the scale.

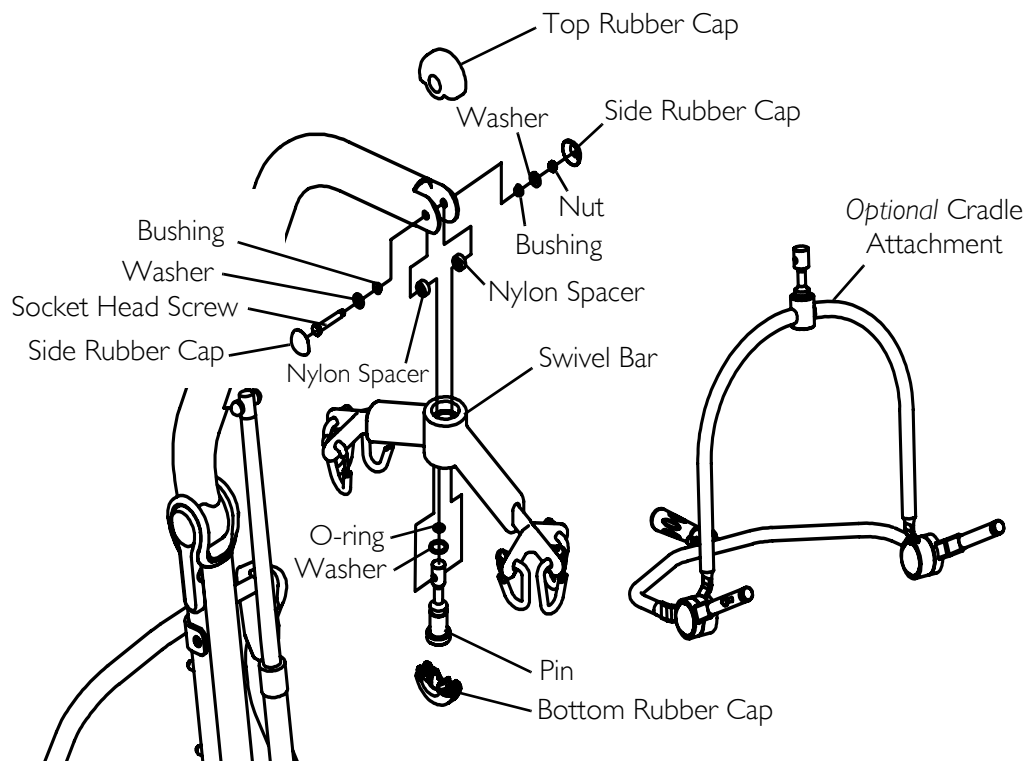


FIGURE 1 Removing the Swivel Bar/Cradle Attachment

Installing the Jasmine Scale

NOTE: For this procedure, refer to FIGURE 2.

⚠ WARNING

Patient and sling MUST be removed from the lift during ALL installation procedures.

1. Position the load cell assembly of the Jasmine Scale into the boom mounting bracket (Detail "A" of FIGURE 2).
2. Secure the Jasmine Scale to the boom mounting bracket with a bolt, washers, bushings, nylon washers, locknut and the top rubber cap. Securely tighten. Install the small rubber cap.

NOTE: Refer to Detail "A" of FIGURE 2 for washer and small rubber cap orientation.

NOTE: Ensure the shaft of the bolt passes through both sides of the boom mounting bracket.

3. Insert swivel bar pin with an o-ring and a washer through the swivel bar (Detail "B" of FIGURE 2).
4. Align the mounting holes in the swivel bar pin with the mounting holes in the load cell assembly (Detail "B" of FIGURE 2).
5. Secure swivel bar pin to the load cell assembly with a screw and locknut. Tighten securely (Detail "B" of FIGURE 2).

⚠ WARNING

After ANY adjustments, repair or service and BEFORE use, make sure all attaching hardware is tightened securely - otherwise injury or damage may occur.

6. Weigh the patient. Refer to Operating the Scale and Weighing the Patient in the Jasmine Patient Lift Owner's Manual, Invacare P/N 1150704.

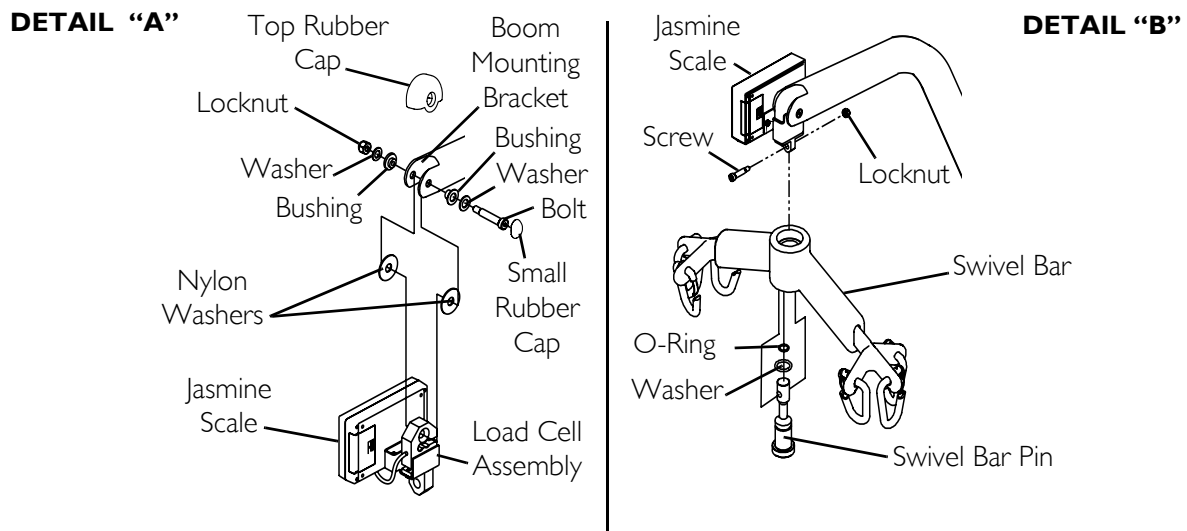


FIGURE 2 Installing the Jasmine Scale

Operating the Scale

Keypad Functions

KEY	INDICATOR DISPLAYED	INDICATOR LOCATION	DEFINITION
ON OFF	OFF	Center of Display Window	Pressing this key will apply power to the scale and turn the unit on. When the scale is already on, pressing the button will turn the unit off.
ZERO	ZERO	Lower Left Corner of the Display Window	Pressing this key when the scale is on will reset the weight shown in the display window to zero.
UNITS	lb or kg	Upper Right Corner of the Display Window	The function of this key is to change the unit of measurement from pounds (lb) to kilograms (kg).
LOCK UNLOCK	LOCK	Lower Right Corner of the Display Window	This key is used to LOCK or UNLOCK a weight value in the display window. NOTE: Weight displayed is a STORED weight and not the current weight when the key is used in the lock position.
N/A	LO BAT	Center of Display Window	Indicator is shown in the display window to notify when battery is low.

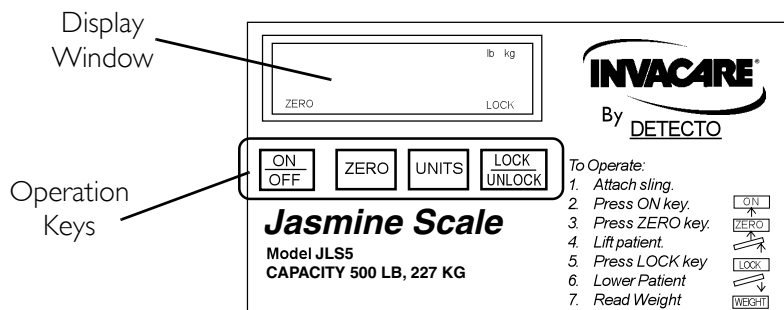


FIGURE 3 Operating the Scale - Keypad Functions

Weighing the Patient

⚠ WARNING

The weight capacity is limited to the lowest rated capacity of any one of the components in use (e.g. Patient Lift, Sling or Scale). The patient's weight **MUST NOT** exceed the lowest rated capacity of any component.

1. Attach sling straps to the swivel bar. For proper attachment instructions refer to [Attaching a Sling to the Swivel Bar](#) in the Jasmine Patient Lift Owner's Manual, Invacare P/N 1150704.

NOTE: For improved accuracy on the patient lift, attach all sling straps to the center hooks on both sides of the swivel bar. However, patient comfort may require a different configuration of sling straps.

2. Press the ON/OFF key.

⚠ WARNING

DO NOT operate key strokes with pointed objects (e.g. pencils, pens, fingernails, etc.) Otherwise damage to the key pad will result.

NOTE: The display will indicate the last weight that was measured. The word "LOCK" will be seen in the display box.

NOTE: The ZERO key is pressed in order to avoid capturing the weight of the sling and the hardware. If the ZERO key is not pressed the weight of the sling and the weight of the hardware will be included in the weight displayed. NOT ZERO-ING OUT WILL GIVE A FALSE READING OF THE USER'S TRUE WEIGHT.

3. Press the ZERO key. When the ZERO key is pushed the following will happen:
 - A. The scale will reset to zero and the word "ZERO" will appear in the display.
 - B. The lock function will then be turned off and the word "LOCK" will disappear from the display.

NOTE: The scale is now active and continually updating the weight display.

4. Place the patient in the sling. For patient placement instructions refer to Operation in the Jasmine Patient Lift Owner's Manual, Invacare P/N 1150704.
5. Activate the lift mechanism to raise the patient until they are completely supported by the lift. For patient lifting instructions, refer to Lifting the Patient in the Jasmine Patient Lift Owner's Manual, Invacare P/N 1150704.
6. Note the weight display.
7. When the weight display becomes stable press the LOCK button to lock the weight display. This will be indicated by the word "LOCK" appearing in the display window.

NOTE: Should it be necessary to unlock the weight while the patient is still supported by the lift, the UNLOCK button may be pressed. The weight will unlock and the word "LOCK" will disappear from the display window. The weight value will then be updated. Once the weight becomes stable the weight can be locked again by pressing the LOCK button.

NOTE: Stable being defined as the weight fluctuating \pm two tenths of a pound. For example, a patient weighing one hundred lbs the scale will fluctuate between 99.8 and 100.2 until the LOCK key is pressed. Fluctuation of the weight displayed is normal as noted above. Press the LOCK button to lock the weight.

NOTE: The UNITS button can be pressed to toggle between units of pounds and kilograms. This is indicated by lb or kg appearing in the display window.

8. The lift may now be lowered and the sling removed from the patient.

NOTE: The patient's weight will continue to be seen in the display window. The display will turn off automatically after a two minute period of non-use [no changes in weight exceeding five pounds (2 kilograms)]. You can NOT adjust the time delay for automatic shut off. After the display has turned off, the weight may be recalled by pressing the ON/OFF button. The unit can be turned off by pressing the ON/OFF button a second time.

Replacing the Battery

NOTE: For this procedure, refer to FIGURE 4.

NOTE: The scale is powered by a 9-volt alkaline battery that should provide approximately 1500 readings before needing replacement.

When battery replacement is needed, LO BAT will appear on the display. Perform the following:

1. Slide the battery door open in the direction of the arrow.
2. Remove existing battery.
3. Install the NEW battery.
4. Reinstall the battery door.

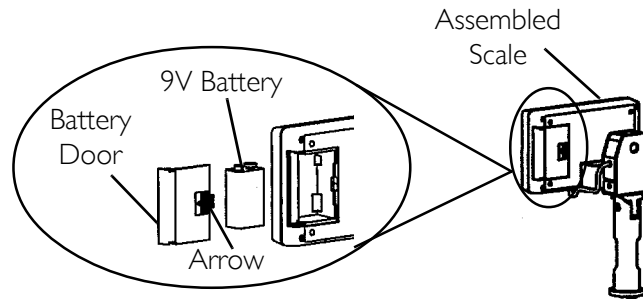


FIGURE 4 Replacing the Battery

Calibrate the Jasmine Scale

NOTE: For this procedure, refer to FIGURE 5 on page 7.

NOTE: The Jasmine Scale will be pre-calibrated at the factory with the load cell. Should it be necessary to re-calibrate the scale, follow the instructions outlined below.

1. The patient and the sling **MUST** be removed from the scale to properly calibrate the Jasmine Scale. Refer to Operation in the Jasmine Patient Lift Owner's Manual, Invacare P/N 1150704, for further instructions.
2. For sling detachment instructions, refer to Lifting the Patient in the Jasmine Patient Lift Owner's Manual, Invacare P/N 1150704.
3. Turn the scale display power on by pressing the ON/OFF key.
4. Rotate the Swivel Bar until the back of the scale display is visible.
5. Insert the tip of a paper clip or similar tool into the small hole on the back of the scale display and press the CAL button.

NOTE: Once the CAL button is pressed, "CAL1" will be seen in the display window.

6. Press the UNITS key. The display reads CAL2.
7. Press the LOCK/UNLOCK key. The display reads UNLD.
8. Press the ZERO key. The display reads LOAD.
9. Hang 200 pounds of calibrated weight from the scale and press the ZERO key.
10. Press the ZERO key. The display reads DONE.

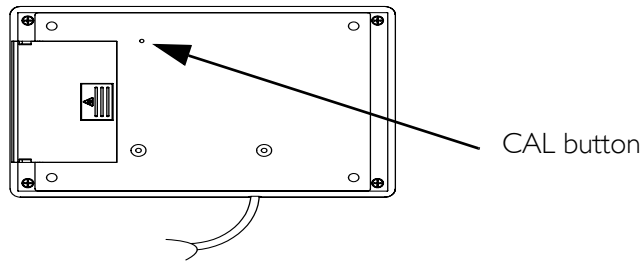
11. Remove the weight. Press the LOCK/UNLOCK key.

NOTE: The scale is now in test mode.

12. Press the ZERO key. The display reads 0.00 lb.

NOTE: The scale will now be in normal operation.

BACK VIEW OF SCALE DISPLAY



FRONT VIEW OF SCALE DISPLAY

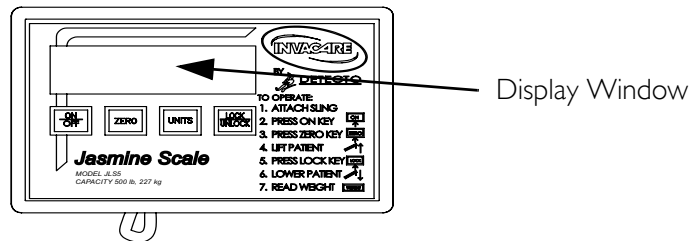


FIGURE 5 Calibrate the Jasmine Scale

Troubleshooting

SYMPTOM	PROBABLE CAUSE	SOLUTION
Unit does NOT work properly.	Battery failure.	Check battery. Replace if necessary.
Battery has been replaced and unit still does NOT work properly.		Contact Invacare.

Display Codes

CAL

CALIBRATION REQUIRED - Indicates improper stored calibration data, calibration is necessary.

OCAP

OVER CAPACITY - Indicates a weight exceeding the capacity has been loaded on the scale.

LIMITED WARRANTY

PLEASE NOTE: THE WARRANTY BELOW HAS BEEN DRAFTED TO COMPLY WITH FEDERAL LAW APPLICABLE TO PRODUCTS MANUFACTURED AFTER JULY 4, 1975.

This warranty is extended only to the original purchaser/user of our products.

This warranty gives you specific legal rights and you may also have other legal rights which vary from state to state.

Invacare warrants the products manufactured (excluding the 9V battery) to be free from defects in materials and workmanship for a period of two years from the date of purchase. If within such warranty period any such product shall be proven to be defective, such product shall be repaired or replaced, at Invacare's option. This warranty does not include any labor or shipping charges incurred in replacement part installation or repair of any such product. Invacare's sole obligation and your exclusive remedy under this warranty shall be limited to such repair and/or replacement.

For warranty service, please contact the dealer from whom you purchased your Invacare product. In the event you do not receive satisfactory warranty service, please write directly to Invacare at the address on the back cover, provide dealer's name, address, date of purchase, indicate nature of the defect.

Invacare Corporation will issue a serialized return authorization. The defective unit or parts **MUST** be returned for warranty inspection using the serial number, when applicable as identification within 30 days of return authorization date. **DO NOT** return products to our factory without our prior consent. **C.O.D.** shipments will be refused; please prepay shipping charges.

LIMITATIONS AND EXCLUSIONS: THE FOREGOING WARRANTY SHALL NOT APPLY TO SERIAL NUMBERED PRODUCTS IF THE SERIAL NUMBER HAS BEEN REMOVED OR DEFACED, PRODUCTS SUBJECTED TO NEGLIGENCE, ACCIDENT, IMPROPER OPERATION, MAINTENANCE OR STORAGE, PRODUCTS MODIFIED WITHOUT INVACARE'S EXPRESS WRITTEN CONSENT (INCLUDING, BUT NOT LIMITED TO, MODIFICATION THROUGH THE USE OF UNAUTHORIZED PARTS OR ATTACHMENTS; PRODUCTS DAMAGED BY REASON OF REPAIRS MADE TO ANY COMPONENT WITHOUT THE SPECIFIC CONSENT OF INVACARE, OR TO A PRODUCT DAMAGED BY CIRCUMSTANCES BEYOND INVACARE'S CONTROL, AND SUCH EVALUATION WILL BE SOLELY DETERMINED BY INVACARE. THE WARRANTY SHALL NOT APPLY TO PROBLEMS ARISING FROM NORMAL WEAR OR FAILURE TO ADHERE TO THE INSTRUCTIONS IN THIS MANUAL.

THE FOREGOING WARRANTY IS EXCLUSIVE AND IN LIEU OF ALL OTHER EXPRESS WARRANTIES. IMPLIED WARRANTIES, IF ANY, INCLUDING THE IMPLIED WARRANTIES OF MERCHANTABILITY AND FITNESS FOR A PARTICULAR PURPOSE, SHALL NOT EXTEND BEYOND THE DURATION OF THE EXPRESSED WARRANTY PROVIDED HEREIN AND THE REMEDY FOR VIOLATIONS OF ANY IMPLIED WARRANTY SHALL BE LIMITED TO REPAIR OR REPLACEMENT OF THE DEFECTIVE PRODUCT PURSUANT TO THE TERMS CONTAINED HEREIN. INVACARE SHALL NOT BE LIABLE FOR ANY CONSEQUENTIAL OR INCIDENTAL DAMAGES WHATSOEVER.

SOME STATES DO NOT ALLOW EXCLUSION OR LIMITATION OF INCIDENTAL OR CONSEQUENTIAL DAMAGE, OR LIMITATION ON HOW LONG AN IMPLIED WARRANTY LASTS, SO THE ABOVE EXCLUSIONS AND LIMITATIONS MAY NOT APPLY TO YOU.

THIS WARRANTY SHALL BE EXTENDED TO COMPLY WITH STATE OR PROVINCIAL LAWS AND REQUIREMENTS.

Invacare Corporation

www.invacare.com



Yes, you can.

USA

One Invacare Way
Elyria, Ohio USA
44036-2125
800-333-6900

Canada

570 Matheson Blvd. E Unit 8
Mississauga Ontario
L4Z 4G4 Canada
800-668-5324

All rights reserved. Trademarks are identified by [™] and [®]. All trademarks are owned by or licensed to Invacare Corporation unless otherwise noted.

© 2008 Invacare Corporation

Part No 1152408

Rev B - 10/08

Free Manuals Download Website

<http://myh66.com>

<http://usermanuals.us>

<http://www.somanuals.com>

<http://www.4manuals.cc>

<http://www.manual-lib.com>

<http://www.404manual.com>

<http://www.luxmanual.com>

<http://aubethermostatmanual.com>

Golf course search by state

<http://golfingnear.com>

Email search by domain

<http://emailbydomain.com>

Auto manuals search

<http://auto.somanuals.com>

TV manuals search

<http://tv.somanuals.com>