



# RELIANT SCALE RLS6

## Assembly, Installation and Operating Instructions

Yes, you can!

### SAVE THESE INSTRUCTIONS

*NOTE: The Reliant Scale CANNOT be used in conjunction with the swivel bar supplied with the Invacare 9805 Lift. The Reliant Swivel Bar (Part No. 1064518) MUST be purchased and installed on the Invacare 9805 lift in order to install the Reliant Scale.*

*NOTE: Check all parts for shipping damage before using. In case of damage, DO NOT use the equipment. Contact the Dealer/Carrier for further instructions.*

## SAFETY SUMMARY

### GENERAL WARNINGS

**DO NOT install or use this equipment without first reading and understanding these instructions. If you are unable to understand the Warnings, Cautions or Instructions, contact a healthcare professional, dealer or technical personnel before attempting to install this equipment - otherwise, injury or damage may occur.**

**The weight capacity is limited to the lowest rated capacity of any one of the components in use (i.e. Patient Lift, Sling or Scale). The patient's weight MUST NOT exceed the lowest rated capacity of any component.**

**After ANY adjustments, repair or service and BEFORE use, make sure all attaching hardware is tightened securely - otherwise injury or damage may occur.**

**Patient and sling MUST be removed from the lift during ALL installation procedures.**

**This kit contains the following:**

DESCRIPTION	QTY
Load Cell Assembly	1
Nylon Washers	2
Swivel Bar Pin	1
Locknut	1
Mounting Screw	1
Small Steel Washer	1
1/8-inch thick nylon washer (9805 lift)	2
1/4-inch thick nylon washer (450/600 lb lift)	2

---

## DESCRIPTION

The Reliant Scale is a compact precision scale system designed specifically for the Invacare Patient Lift System.

SPECIFICATIONS	
<b>Weight Range:</b>	Up to 600 lbs. (272.7 kg.)
<b>Resolution:</b>	+/- 0.2 lbs (.1 kg)
<b>Display:</b>	Liquid Crystal Digital
<b>Automatic Power Down:</b>	Two (2) minutes
<b>Size:</b>	5-3/4 L x 3-5/8 W x 4 H
<b>Weight:</b>	1.55 lbs
<b>Power:</b>	Nine (9) volt alkaline battery (Included)
<b>Battery Life:</b>	Approximately 1500 readings
<b>Temperature Range:</b>	50° to 104° F (10° to 40° C)

## REMOVE THE SWIVEL BAR (FIGURE 1)

- I. Perform one (1) of the following:
  - A. FOR 450 lb and 600 lb RELIANT LIFTS - Remove shoulder bolt, locknut, pinch guard and washer which secure the swivel bar to the boom mounting bracket.

*NOTE: Save the shoulder bolt, small steel washer and locknut to secure the Reliant Scale to the boom. The pinch guard will not be used when the scale is installed. Save pinch guard for future use of swivel bar without scale.*

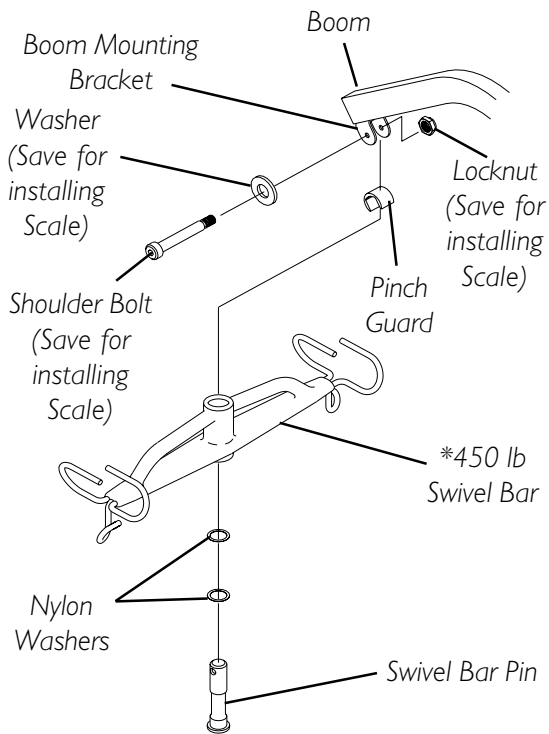
- B. FOR MODEL NO. 9805 LIFT - Remove shoulder bolt and locknut which secure the swivel bar to the boom mounting bracket.

*NOTE: Save the shoulder bolt and locknut to secure the Reliant Scale to the boom.*

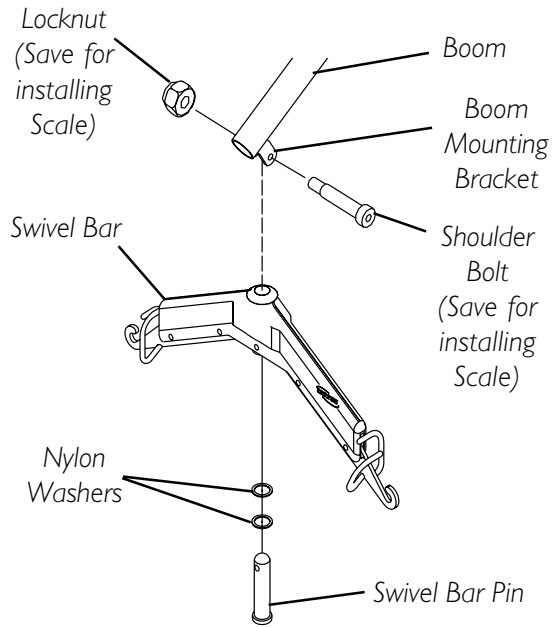
*NOTE: Removing the swivel bar hardware will release the swivel bar, two (2) nylon washers and the swivel bar pin. Save the swivel bar pin and the two (2) nylon washers for future use of the swivel bar without the scale.*

### 450 LB / 600 LB RELIANT LIFTS

*\*NOTE: 600 lift swivel bar not shown.*



### 9805 LIFT



*NOTE: Some hardware has been enlarged for clarification purposes.*

**FIGURE I - REMOVE THE SWIVEL BAR**

## INSTALLING THE RELIANT SCALE (FIGURE 2)

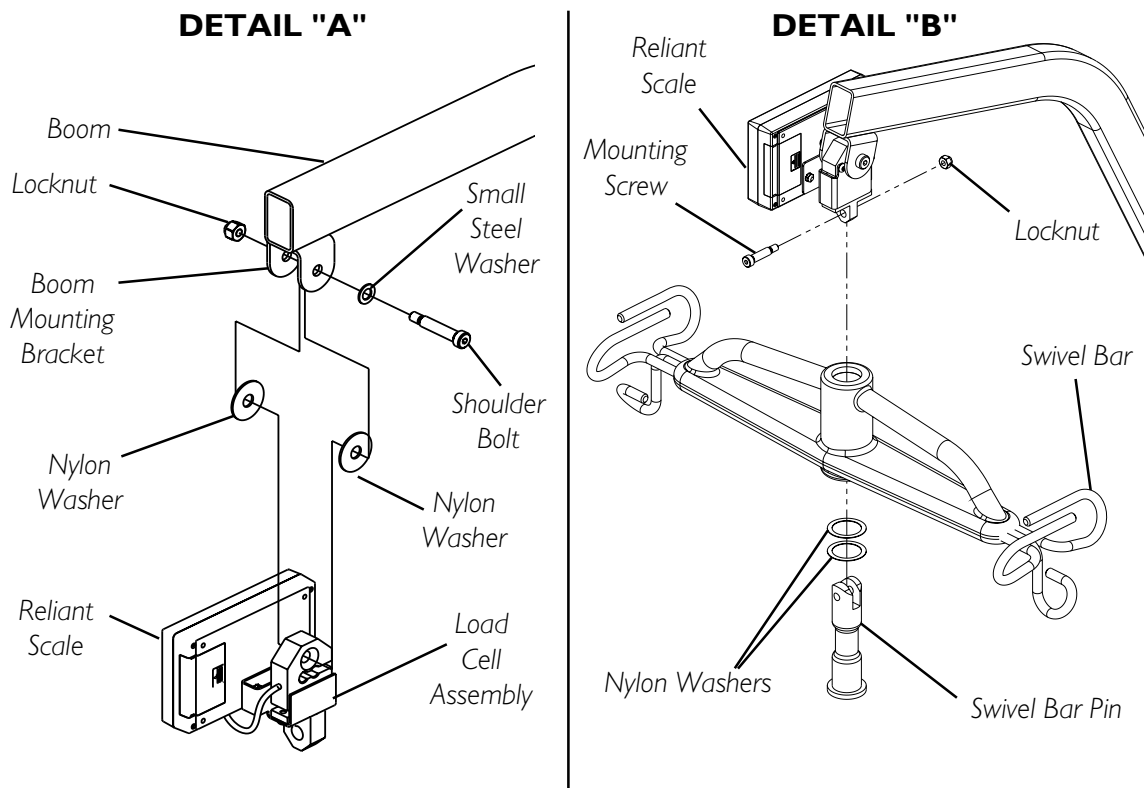
1. Position the load cell assembly of the Reliant Scale into the boom mounting bracket. Refer to DETAIL "A" in FIGURE 2.

*NOTE: For 9805 lift use 1/8-inch thick nylon washer. For 450 lb/600 lb lifts use 1/4-inch nylon washer.*

2. Secure the Reliant Scale to the boom mounting bracket with a shoulder bolt, one (1) small steel washer, two (2) nylon washers and a locknut. Securely tighten. Refer to DETAIL "A" in FIGURE 2 for washer orientation.

*NOTE: Ensure the shaft of the shoulder bolt passes through both sides of the boom mounting bracket.*

3. Insert swivel bar pin with two (2) nylon washers through the swivel bar. Refer to DETAIL "B" in FIGURE 2.
4. Align the mounting holes in the swivel bar pin with the mounting holes in the load cell assembly. Refer to DETAIL "B" in FIGURE 2.
5. Secure swivel bar pin to the load cell assembly with the provided mounting screw and locknut. Securely tighten. Refer to DETAIL "B" in FIGURE 2.
6. Weigh the patient. Refer to OPERATING THE SCALE in this instruction sheet.



**FIGURE 2 - INSTALLING THE RELIANT SCALE**

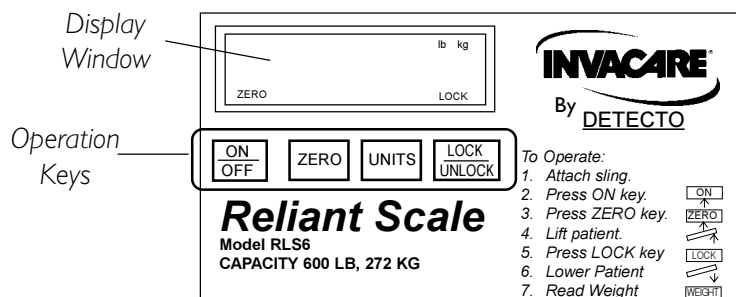
# OPERATING THE SCALE

## KEYPAD FUNCTIONS (FIGURE 3)

### CAUTION

**DO NOT** operate key strokes with pointed objects (i.e. pencils, pens, fingernails, etc.) - otherwise damage to the key pad will result.

KEY	INDICATOR DISPLAYED	INDICATOR LOCATION	DEFINITION
<u>ON</u> OFF	OFF	Center of Display Window	Pressing this key will apply power to the scale and turn the unit on. When the scale is already on, pressing the button will turn the unit off.
ZERO	ZERO	Lower Left Corner of the Display Window	Pressing this key when the scale is on will reset the weight shown in the display window to zero.
UNITS	lb or kg	Upper Right Corner of the Display Window	The function of this key is to change the unit of measurement from pounds (lb) to kilograms (kg).
<u>LOCK</u> UNLOCK	LOCK	Lower Right Corner of the Display Window	This key is used to LOCK or UNLOCK a weight value in the display window. <i>NOTE: Weight displayed is a STORED weight and not the current weight when the key is used in the lock position.</i>
N/A	LO BAT	Center of Display Window	Indicator is shown in the display window to notify when battery is low.



**FIGURE 3 - KEYPAD FUNCTIONS/OPERATING THE SCALE**

---

## WARNING

**Invacare slings and patient lift accessories are specifically designed to be used in conjunction with Invacare patient lifts. Slings and accessories designed by other manufacturers are not to be utilized as a component of Invacare's lift system.**

**Use of these products is prohibited and will void Invacare's patient lift warranty.**

**Use only genuine Invacare slings and patient lift accessories to maintain patient safety and product utility.**

**Be sure to check the sling attachments each time the sling is removed and replaced, to ensure that it is properly attached before the patient is removed from a stationary object (bed, chair or commode).**

1. Attach sling straps to the swivel bar. For proper attachment instructions refer to the Sling Owner's Manual - Part No. 1023891.

*NOTE: For improved accuracy on the 450 and 600 Reliant lifts, attach all sling straps to the center hooks on both sides of the swivel bar. However, patient comfort may require a different configuration of sling straps.*

2. Press the ON/OFF key.

*NOTE: The display will indicate the last weight that was measured. The word "LOCK" will be seen in the display box.*

*NOTE: The ZERO key is pressed in order to avoid capturing the weight of the sling and the hardware. If the ZERO key is not pressed the weight of the sling and the weight of the hardware will be included in the weight displayed. NOT ZERO-ING OUT WILL GIVE A FALSE READING OF THE USER'S TRUE WEIGHT.*

3. Press the ZERO key. When the ZERO key is pushed the following will happen:
  - A. The scale will reset to zero and the word "ZERO" will appear in the display.
  - B. The lock function will then be turned off and the word "LOCK" will disappear from the display.

*NOTE: The scale is now active and continually updating the weight display.*

4. Place the patient in the sling. For patient placement instructions refer to the Sling Owner's Manual - Part No. 1023891.

## WARNING

**When elevated a few inches off the surface of a stationary object (bed, chair or commode) and before moving the patient, check to make sure that the sling is properly connected to the hooks of the swivel bar. If any attachments are NOT properly in place, lower the patient back onto the stationary surface and correct this problem - otherwise, injury or damage may occur.**

5. Activate the lift mechanism to raise the patient until they are completely supported by the lift.

6. Note the weight display.
7. When the weight display becomes stable press the LOCK button to lock the weight display. This will be indicated by the word "LOCK" appearing in the display window.

*NOTE: Should it be necessary to unlock the weight while the patient is still supported by the lift, the UNLOCK button may be pressed. The weight will unlock and the word "LOCK" will disappear from the display window. The weight value will then be updated. Once the weight becomes stable the weight can be locked again by pressing the LOCK button.*

*NOTE: Stable being defined as the weight fluctuating two tenths (2/10) of a pound. For example, a patient weighing one hundred (100) lbs the scale will fluctuate between 99.8 and 100.2 until the LOCK key is pressed. Fluctuation of the weight displayed is normal as noted above. Press the LOCK button to lock the weight.*

*NOTE: The UNITS button may be pressed to toggle between units of pounds and kilograms. This is indicated by lb or kg appearing in the display window.*

8. The lift may now be lowered and the sling removed from the patient.

**NOTES:**

*The patient's weight will continue to be seen in the display window.*

*The display will turn off automatically after a two minute period of non-use [no changes in weight exceeding five (5) pounds (2 kilograms)]. You can NOT adjust the time delay for automatic shut off.*

*After the display has turned off, the weight may be recalled by pressing the ON/OFF button.*

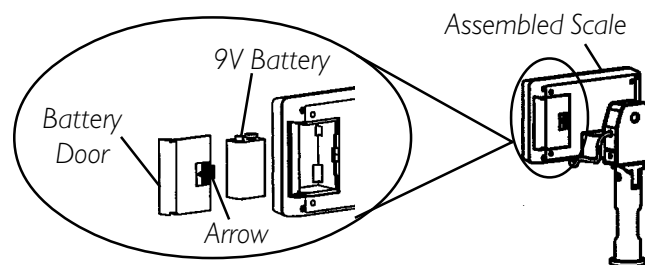
*The unit can be turned off by pressing the ON/OFF button a second time.*

## **BATTERY REPLACEMENT (FIGURE 4)**

*NOTE: The scale is powered by a nine (9) volt alkaline battery that should provide approximately 1500 readings before needing replacement.*

When battery replacement is needed, **LO BAT** will appear on the display. Perform the following:

1. Slide the battery door open in the direction of the arrow.
2. Remove existing battery.
3. Install NEW battery.
4. Reinstall the battery door.



**FIGURE 4 - BATTERY REPLACEMENT**

---

## **CALIBRATION OF THE RELIANT SCALE**

*NOTE: The Reliant Scale will be pre-calibrated at the factory with the load cell. Should it be necessary to re-calibrate the scale follow the instructions outlined below.*

1. The patient and the sling must be removed from the scale to properly calibrate the Reliant Scale. For removing the patient instructions refer to the Sling Owner's Manual - Part No. 1023891. For sling detachment instructions refer to the Sling Owner's Manual - Part No. 1023891.
2. With the Reliant Scale on, remove the four screws on the back of the enclosure and remove front cover to expose the PC board.
3. Press the CAL button located on the PC board. The CAL switch is not labeled but is the only button on the PC board located in the lower right corner. Once the CAL button is pushed "CAL1" will be seen in the display window.

*NOTE: CAL1 selects the calibration mode using 50 pounds of calibrated weight. CAL2 selects the calibration mode for use with 200 pounds of calibrated weight. Pressing the UNITS key toggles between CAL1 and CAL2.*

4. When the desired calibration mode is displayed, press the LOCK/UNLOCK key.

*NOTE: The display window will now show UnLd.*

5. Ensure that there is no load on the scale and press the ZERO key.
6. The display window will show a dashed line (-----) scrolling across and then the word LOad will appear in the display window.
7. Perform one (1) of the following:
  - A. FOR CAL1 OPTION - support 50 pounds of calibrated weight from the scale and press the ZERO key.
  - B. FOR CAL2 OPTION - support 200 pounds of calibrated weight from the scale and press the ZERO key.
8. The display window will show a dashed line (-----) scrolling across and then the word dOnE will appear in the display window.
9. Remove the weight from the scale and press the LOCK/UNLOCK key.

*NOTE: The unit will now be in a temporary test mode and will not lock the weight display. This will allow weight to be loaded and unloaded to check the calibration.*

10. Turn the unit off by pressing the ON/OFF key.
11. Turn the unit on by pressing the ON/OFF key.

*NOTE: Scale will now be in normal operation .*



---

## TROUBLESHOOTING

SYMPTOM	PROBABLE CAUSE	SOLUTIONS
Unit does NOT work properly.	Battery failure.	Check battery. Replace if necessary.
Battery has been replaced and unit still does NOT work properly.		Contact Invacare for Service at 1-800-333-6900

## DISPLAY CODES

**CAL**

CALIBRATION REQUIRED - Indicates improper stored calibration data, calibration is necessary.

**OCAP**

OVER CAPACITY - Indicates a weight exceeding the capacity has been loaded on the scale.

## **LIMITED WARRANTY**

**PLEASE NOTE: THE WARRANTY BELOW HAS BEEN DRAFTED TO COMPLY WITH FEDERAL LAW APPLICABLE TO PRODUCTS MANUFACTURED AFTER JULY 4, 1975.**

This warranty is extended only to the original purchaser/user of our products.

This warranty gives you specific legal rights and you may also have other legal rights which vary from state to state.

Invacare warrants the Reliant Scale to be free from defects in materials and workmanship for a period of two (2) years from the date of purchase. If within such warranty period the Reliant Scale shall be proven to be defective, the Reliant Scale shall be repaired or replaced, at Invacare's option. This warranty does not include any labor or shipping charges incurred in replacement part installation or repair of any such product. Invacare's sole obligation and your exclusive remedy under this warranty shall be limited to such repair and/or replacement.

For warranty service, please contact the dealer from whom you purchased your Invacare product. In the event you do not receive satisfactory warranty service, please write directly to Invacare at the address on the bottom of the page. Provide dealer's name, address, model number, date of purchase, indicate nature of the defect and, if the product is serialized, indicate the serial number.

Invacare Corporation will issue a return authorization. The defective unit or parts must be returned for warranty inspection using the serial number, when applicable, as identification within thirty (30) days of return authorization date. **DO NOT** return products to our factory without our prior consent. C.O.D. shipments will be refused; please prepay shipping charges.

**LIMITATIONS AND EXCLUSIONS: THE WARRANTY SHALL NOT APPLY TO PROBLEMS ARISING FROM NORMAL WEAR OR FAILURE TO ADHERE TO THE ENCLOSED INSTRUCTIONS. IN ADDITION, THE FOREGOING WARRANTY SHALL NOT APPLY TO SERIAL NUMBERED PRODUCTS IF THE SERIAL NUMBER HAS BEEN REMOVED OR DEFACED; PRODUCTS SUBJECTED TO NEGLIGENCE, ACCIDENT, IMPROPER OPERATION, MAINTENANCE OR STORAGE; OR PRODUCTS MODIFIED WITHOUT INVACARE'S EXPRESS WRITTEN CONSENT INCLUDING, BUT NOT LIMITED TO: MODIFICATION THROUGH THE USE OF UNAUTHORIZED PARTS OR ATTACHMENTS; PRODUCTS DAMAGED BY REASON OF REPAIRS MADE TO ANY COMPONENT WITHOUT THE SPECIFIC CONSENT OF INVACARE; PRODUCTS DAMAGED BY CIRCUMSTANCES BEYOND INVACARE'S CONTROL; PRODUCTS REPAIRED BY ANYONE OTHER THAN AN AUTHORIZED INVACARE DEALER, SUCH EVALUATION SHALL BE SOLELY DETERMINED BY INVACARE.**

**THE FOREGOING EXPRESS WARRANTY IS EXCLUSIVE AND IN LIEU OF ANY OTHER WARRANTIES WHATSOEVER, WHETHER EXPRESS OR IMPLIED, INCLUDING THE IMPLIED WARRANTIES OF MERCHANTABILITY AND FITNESS FOR A PARTICULAR PURPOSE, AND THE SOLE REMEDY FOR VIOLATIONS OF ANY WARRANTY WHATSOEVER, SHALL BE LIMITED TO REPAIR OR REPLACEMENT OF THE DEFECTIVE PRODUCT PURSUANT TO THE TERMS CONTAINED HEREIN. THE APPLICATION OF ANY IMPLIED WARRANTY WHATSOEVER SHALL NOT EXTEND BEYOND THE DURATION OF THE EXPRESS WARRANTY PROVIDED HEREIN. INVACARE SHALL NOT BE LIABLE FOR ANY CONSEQUENTIAL OR INCIDENTAL DAMAGES WHATSOEVER.**

**THIS WARRANTY SHALL BE EXTENDED TO COMPLY WITH STATE/PROVINCIAL LAWS AND REQUIREMENTS.**



## BALANCE RELIANT RLS6

Instructions pour l'assemblage, l'installation et le fon

Yes, you can:

### CONSERVER CES INSTRUCTIONS

*NOTE: La balance Reliant NE PEUT pas être utilisée avec la barre à rotule fournie avec le lève-patient Invacare 9805 . La barre à rotule Reliant (numéro de pièce No. 1064518) DOIT être achetée et installée sur le lève patient 9805 pour pouvoir installer la balance Reliant.*

*NOTE: Vérifier si les pièces ont été endommagées lors du transport. Le cas échéant, NE PAS utiliser. Contacter le fournisseur/transporteur pour de plus amples instructions.*

## RÉSUMÉ DE SÉCURITÉ

### AVERTISSEMENTS GÉNÉRAUX

**NE PAS installer ou utiliser cet équipement sans d'abord avoir lu et compris ces instructions. Si nous ne comprenez pas les avertissements, les notes attention ou les instructions, contacter un professionnel des soins de santé, un fournisseur ou un technicien, avant de tenter d'installer cet équipement, sans quoi des blessures ou des dommages peuvent survenir.**

**La limite de poids correspond à la limite de poids la plus petite de toutes les composantes utilisées (i.e. lève-patient, toile ou balance). Le poids du patient NE doit PAS excéder la limite de poids la plus petite des composantes utilisées.**

**Après tout réglage, réparation ou entretien, et AVANT utilisation, s'assurer que toute la quincaillerie de fixation est bien serrée.**

**Le patient et la toile doivent être enlevés du lève-patient avant l'exécution de TOUTES procédures d'installation.**

Cet ensemble comprend:

DESCRIPTION	QUANTITÉ
Capteur de pesage	1
Rondelles en nylon	2
Tige de la barre à rotule	1
Écrou de blocage	1
Vis de montage	1
Petites rondelles en aciers	1
Rondelle épaisse en nylon 1/8 po.(lève-patient 9805)	2
Rondelle épaisse en nylon 1/4 po.(lève-patient 450/600 lb )	2

## DESCRIPTION

La balance Reliant est un système de précision compact conçu spécifiquement pour les lève-patients.

SPÉCIFICATIONS	
Limite de poids:	jusqu'à 600 lbs. (272.7 kg.)
Résolution:	0,2 lbs./0,1 kg
Précision:	0,2% ± .1 lbs/kg
Écran:	Cristaux liquides numériques
Arrêt automatique:	deux (2) minutes
Taille :	4-1/8 largeur x 2-1/8 profondeur x 5 longueur
Poids:	2,2 lbs. / 1 kg
Puissance:	Pile alcaline neuf (9) volts
Durée de la pile:	environ 3000 lectures
Écarts de température:	50 à 104 F (10 à 40 C)

## ENLEVER LA BARRE À ROTULE (FIGURE 1)

- I. Exécuter une (1) des étapes suivantes
  - A. Pour les lève-patients Reliant de 450 lb et 600 lb - Enlever le boulon à épau­le, l'écrou, le protecteur et la rondelle qui fixent la barre à rotule au support de montage du treuil.

*NOTE: Conserver le boulon à épau­le et l'écrou pour fixer la balance Reliant au treuil. Le protecteur et la petite rondelle en acier ne seront pas utilisés lorsque la balance sera installée. Conserver le protecteur et la rondelle pour un usage futur de la barre à rotule sans balance.*

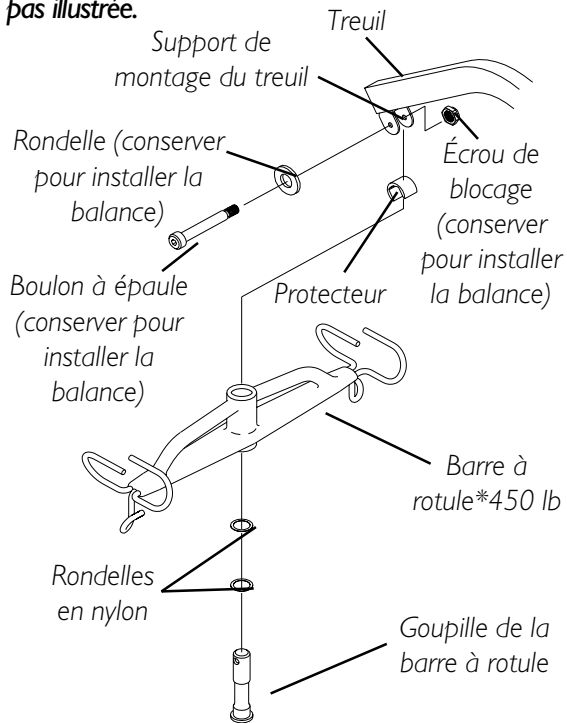
- B. Pour le lève-patient # 9805 - Enlever le boulon à épau­le et l'écrou de blocage qui fixent la barre à rotule au support de montage du treuil.

*NOTE: Conserver le boulon à épau­le et l'écrou pour fixer la balance Reliant au treuil.*

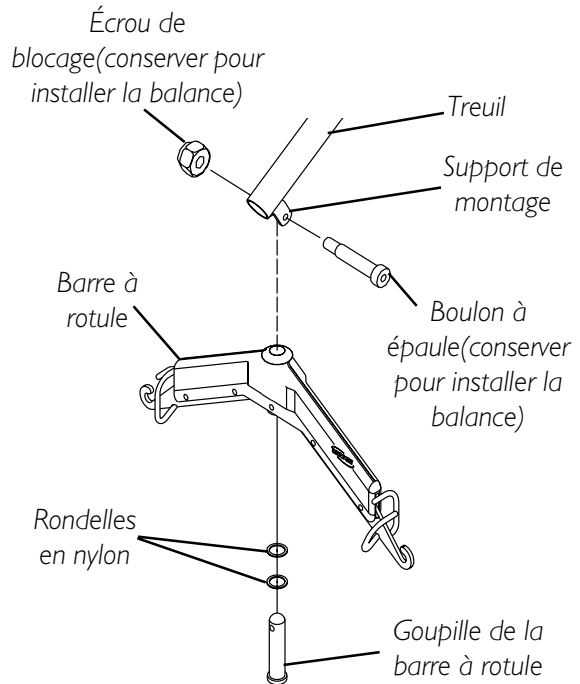
*NOTE: Enlever la quincaillerie de la barre à rotule libérera la barre à rotule, deux (2) rondelles en nylon et la goupille de la barre à rotule. Conserver la tige de la barre à rotule et les deux (2) rondelles de nylon pour un usage ultérieur de la barre à rotule sans la balance.*

## LÈVE-PATIENT RELIANT 450 LB / 600 LB

*\*NOTE: La barre à rotule du lève-patient 600 n'est pas illustrée.*



## LÈVE-PATIENT 9805



*NOTE: Certaines pièces de quincaillerie ont été agrandies pour plus de clarté.*

**FIGURE I - ENLEVER LA BARRE À ROTULE**

## INSTALLER LA BALANCE RELIANT (FIGURE 2)

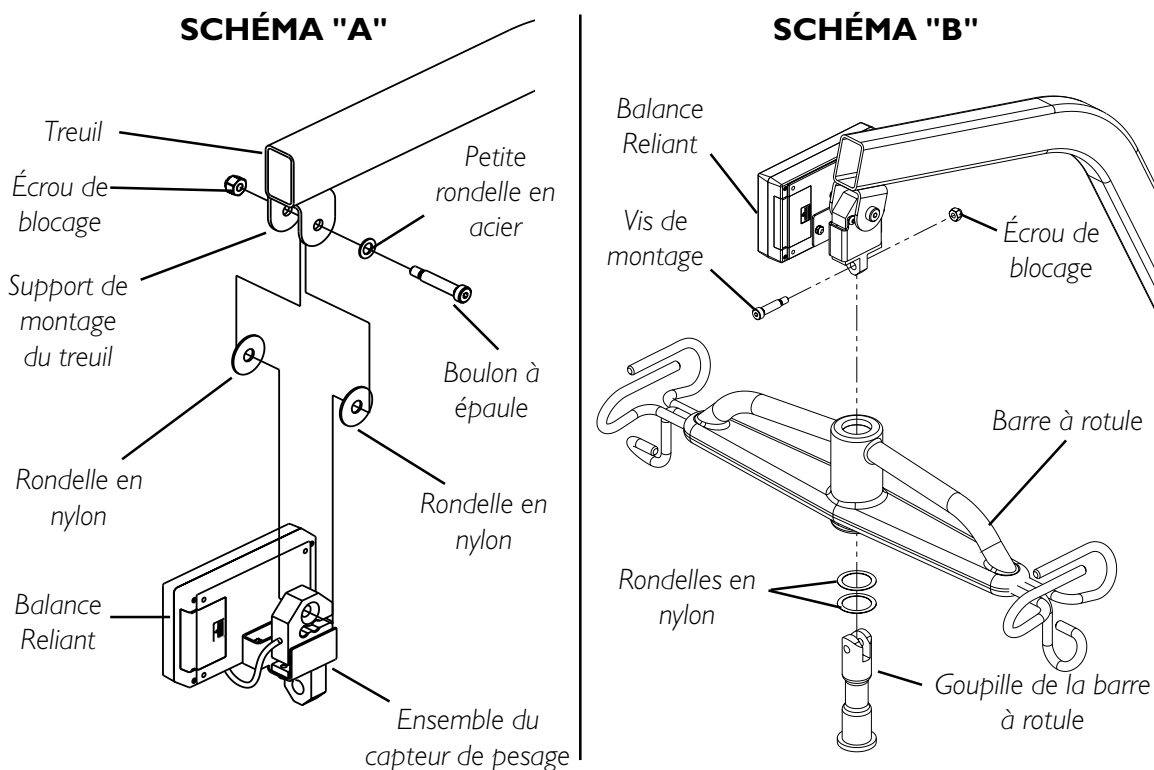
1. Placer l'ensemble du compartiment à batteries de la balance Reliant sur le support de montage du treuil. Se référer au SCHÉMA a "A" de la FIGURE 2.

*NOTE: Pour le lève-patient 9805, utiliser la rondelle en nylon de 1/8 de pouce. Pour les lève-patients 450/600 livres, utiliser la rondelle en nylon de 1/4 de pouce.*

2. Fixer la balance Reliant sur le support de montage du treuil avec le boulon à épaulement, une (1) petite rondelle en acier, deux (2) rondelles en nylon et un (1) écrou de blocage. Bien serrer. Se référer au SCHÉMA "A" de la FIGURE 2 pour connaître l'orientation des rondelles.

*NOTE: S'assurer que la tige du boulon à épaulement passe au travers des deux côtés du support de montage du treuil.*

3. Insérer la goupille de la barre à rotule avec deux (2) rondelles en nylon dans la barre à rotule. Se référer au SCHÉMA "B" de la FIGURE 2.
4. Aligner les orifices de montage de la goupille de la barre à rotule avec le capteur de pesage. Se référer au SCHÉMA "B" de la FIGURE 2.
5. Fixer la goupille de la barre à rotule au capteur de pesage avec la vis de montage et l'écrou de blocage fournis. Bien serrer. Se référer au DETAIL "B" de la FIGURE 2.
6. Peser le patient. Se référer à UTILISER LA BALANCE dans ce feuillet d'instruction.



**FIGURE 2 - INSTALLER LA BALANCE RELIANT**

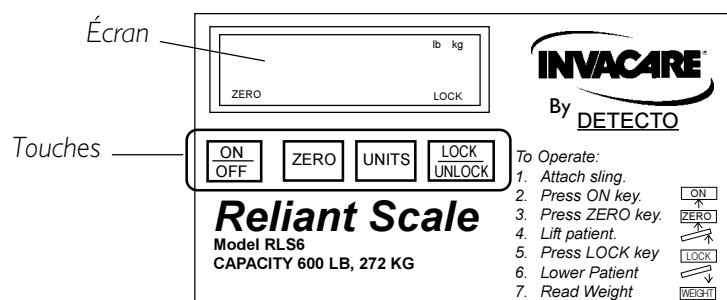
# FONCTIONNEMENT DE LA BALANCE

## FONCTIONS DES TOUCHES (FIGURE 3)

### ATTENTION

NE PAS faire fonctionner les touches avec des objets pointus (i.e. crayons, stylos, ongles, etc.), sans quoi le clavier pourrait être endommagé.

TOUCHE	INDICATEUR AFFICHÉ	EMPLACEMENT	DÉFINITION
<u>ON</u> OFF	OFF	Centre de l'écran	Appuyer sur la touche allumera la balance. Lorsque la balance est déjà en marche, appuyer sur la touche éteindra la balance.
ZERO	ZERO	Coin inférieur gauche de l'écran	Appuyer sur la touche lorsque la balance est allumée remettra à zéro le poids affiché à l'écran.
UNITS	lb or kg	Coin supérieur droit de l'écran	Permet de changer les unités : livres (lb) en kilogrammes (kg)
<u>LOCK</u> UNLOCK	LOCK	Coin inférieur droit de l'écran	Cette touche permet de BLOQUER ou DÉBLOQUER une valeur sur l'écran.  <i>NOTE: le poids affiché est ENREGISTRÉ et non le poids courant</i>
N/A	LO BAT	Centre de l'écran	L'indicateur s'allume pour indiquer que les piles sont faibles.



**FIGURE 3 - FONCTIONS DES TOUCHES ET FONCTIONNEMENT DE LA BALANCE**

---

## **AVERTISSEMENT**

**Les toiles et les accessoires Invacare pour les lève-patients sont spécifiquement conçus pour être utilisés avec les lève-patients Invacare. Les toiles et les accessoires conçus par d'autres fabricants ne doivent pas être utilisés avec les lève-patients Invacare.**

**L'utilisation de ces produits est interdite et annulera la garantie.**

**Utiliser seulement des toiles et des accessoires Invacare d'origine afin d'assurer la sécurité et le fonctionnement du produit.**

**S'assurer de vérifier les fixations de la toile chaque fois que la toile est enlevée et replacée, pour s'assurer qu'elle est bien fixée avant de déplacer le patient du lit ou du fauteuil.**

---

1. Fixer les courroies de la toile à la barre à rotule. Pour une installation adéquate, se référer au manuel de l'utilisateur de la toile numéro de pièce 1023891.

*NOTE: Pour une meilleure précision avec les lève-patient Reliant 450 et 600, fixer toutes les courroies de la toile sur les crochets du centre de chaque côté de la barre à rotule. Toutefois, une configuration différentes des courroies peut être nécessaire pour le confort du patient.*

2. Appuyer sur la touche ON/OFF .

*NOTE: L'écran affichera le dernier poids mesuré. Le mot "lock" apparaîtra.*

*NOTE: Il faut appuyer sur la touche ZERO afin d'éviter de peser la toile et la quincaillerie. Si la touche Zero n'est pas enfoncée, le poids de la toile et de la quincaillerie seront inclus dans la valeur du poids affiché. Ne pas remettre à zéro donnera une fausse lecture du poids du patient.*

3. Appuyer sur la touche ZERO. Une fois la touche ZERO enfoncée, voici les résultats:

A. La balance se remettra à zéro et le mot "ZERO" apparaîtra sur l'écran.

B. La fonction de blocage sera éteinte et le mot "LOCK" disparaîtra de l'écran.

*NOTE: La balance est maintenant en fonction et mettra continuellement à jour le poids affiché.*

4. Installer le patient sur la toile. Pour connaître les instructions pour placer le patient, se référer au manuel de l'utilisateur Numéro 1023891.

---

## **AVERTISSEMENT**

**Une fois le patient soulevé à quelques pouces de la surface fixe (lit, fauteuil ou chaise d'aisance), et avant de déplacer le patient, vérifier si la toile est bien fixée sur les crochets de la barre à rotule. Si les fixations NE sont PAS adéquates, abaisser le patient sur la surface fixe et corriger le problème, sans quoi des blessures ou des dommages peuvent survenir.**

---

5. Actionner le mécanisme pour soulever le patient jusqu'à ce qu'il soit complètement supporté par le lève-patient.



6. Noter le poids affiché.
7. Lorsque la valeur du poids affiché est stable, appuyer sur la touche LOCK pour verrouiller la valeur du poids affiché. Le mot /LOCK/ apparaîtra à l'écran.

*NOTE: Si vous devez déverrouiller la valeur du poids affiché lorsque le patient est encore supporté par le lève-patient, vous pouvez appuyer sur la touche "UNLOCK". La valeur sera déverrouillée et le mot "LOCK" disparaîtra de l'écran. La valeur du poids sera alors modifiée à la valeur courante. Une fois la valeur du poids stable, appuyer de nouveau sur la touche "LOCK".*

*NOTE: Stable correspond à une fluctuation de poids de 1/10 de livre. Par exemple, pour un patient pesant 100 livres, la valeur du poids affiché fluctuera de 99,9 à 100,1 livres jusqu'à ce que la touche LOCK soit enfoncée. La fluctuation de la valeur du poids affiché est normale. Appuyer sur la touche LOCK pour verrouiller la valeur du poids.*

*NOTE: La touche UNIT peut être enfoncée pour changer l'unité de mesure des livres en kilogrammes. L'abréviation lb ou kg apparaîtra à l'écran.*

8. Le lève-patient peut être abaissé et la toile retirée.

**NOTES:**

*Le poids du patient restera affiché à l'écran.*

*L'écran s'éteindra automatiquement après deux (2) minutes d'inutilisation ( aucune variation de poids de plus de 5 livres (2 kilos) enregistrée) Vous ne pouvez PAS régler le délai de fermeture automatique.*

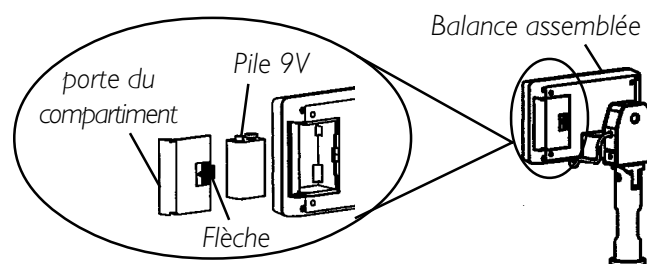
*Une fois l'écran éteint, la valeur du poids peut être ramenée à l'écran en appuyant sur la touche ON/OFF. L'appareil peut être éteint en appuyant de nouveau sur la touche ON/OFF.*

## **REEMPLACER LA PILE (FIGURE 4)**

*NOTE:La balance fonctionne avec une pile alcaline 9 volts qui devrait permettre environ 3000 lectures avant d'être remplacée.*

Lorsque la pile a besoin d'être changée, les mots **LOW BATTERY** apparaîtront à l'écran. Exécuter alors la procédure suivante:

1. Enlever la porte du compartiment à pile dans le sens de la flèche.
2. Enlever la pile
3. Installer une NOUVELLE pile.
4. Réinstaller la porte du compartiment pour la pile.



**FIGURE 4 - REMPLACER LA PILE**

---

## **CALIBRER LA BALANCE RELIANT**

*NOTE: La balance est pré-calibrée à l'usine avec le capteur de pesage. S'il est nécessaire de recalibrer la balance, suivre les instructions suivantes.*

1. Pour bien calibrer la balance Reliant, enlever la toile et le patient de la balance; se référer au manuel de l'utilisateur de la toile, numéro 1023891.
2. La balance installée, enlever les quatre (4) vis à l'endos du compartiment et enlever le couvercle pour exposer la carte à circuit imprimé.
3. Appuyer sur la touche CAL située sur la carte à circuit imprimé. La touche CAL n'est pas identifiée, mais c'est la seule touche de la carte située dans le coin inférieur droit. Une fois la touche CAL enfoncée, le mot "CAL 1" apparaîtra à l'écran.

*NOTE: CAL1 permet de calibrer pour un poids de 50 livres alors que CAL2 permet de calibrer pour un poids de 200 livres. Pour passer de CAL 1 à CAL 2 appuyer sur la touche UNIT.*

4. Lorsque le mode de calibrage choisi est affiché, appuyer sur la touche LOCK"UNLOCK".

*NOTE: Le mot UnLd apparaîtra à l'écran.*

5. S'assurer qu'il n'y a aucun poids sur la balance et appuyer sur la touche ZERO.
6. Un pointillé (-----) défilera à l'écran et le mot LOad apparaîtra à l'écran.
7. Exécuter une (1) des étapes suivantes:
  - A. Pour l'option CAL 1 - accrocher un poids étalon de 50 livres sur la balance et appuyer sur la touche ZERO .
  - B. Pour l'option CAL 2 - accrocher un poids étalon de 200 livres sur la balance et appuyer sur la touche ZERO .
8. Un pointillé (-----) défilera à l'écran et le mot dONE apparaîtra à l'écran .
9. Enlever le poids de la balance et appuyer sur la touche LOCK"UNLOCK.

*NOTE: L'appareil sera momentanément en mode de test et ne verrouillera pas le poids affiché. Ceci permet d'installer le poids et de l'enlever pour vérifier le calibrage.*

10. Éteindre l'appareil en appuyant sur la touche ON/OFF .
11. Allumer l'appareil en appuyant sur la touche ON/OFF .

*NOTE: La balance est maintenant prête pour l'utilisation.*

---

## DÉPANNAGE

SYMPTÔME	CAUSE PROBABLE	SOLUTIONS
Unité ne fonctionne pas adéquatement	Défaillance des piles	Vérifier les piles, les remplacer si nécessaire.
Pile a été changée mais l'unité ne fonctionne pas adéquatement.		Contactez Invacare pour le service au 1-800-333-6900

## CODES

**CAL**

calibrage requis - Indique que des données de calibrage ne sont pas bien enregistrées. Un calibrage est nécessaire

**OCAP**

SURCHARGE - Indique que le poids dépasse la limite permise de la balance.

# GARANTIE LIMITÉE

**REMARQUE: LA GARANTIE CI-DESSOUS A ÉTÉ RÉDIGÉE EN ACCORD AVEC LA LOI FÉDÉRALE APPLICABLE SUR LES PRODUITS FABRIQUÉS APRÈS LE 4 JUILLET 1975.**

Cette garantie est valable pour l'acheteur/utilisateur initial de nos produits seulement.

Cette garantie vous donne des droits légaux spécifiques. D'autres droits variant d'un État (provinces) à l'autre peuvent se rajouter.

**INVACARE** garantit la balance Reliant contre tout défaut de fabrication ou défaut dans le matériel pour une période de deux (2) ans à partir de la date d'achat. Si, durant cette période, la balance Reliant devait s'avérer défectueuse, elle sera réparée ou remplacée, suivant le choix d'**INVACARE**. Cette garantie ne comprend pas les frais de main d'oeuvre ou d'envoi encourus pour la réparation ou le remplacement des pièces de tels produits. La seule et unique obligation d'**INVACARE** et votre seul recours selon cette garantie se limite au remplacement et/ou à la réparation du produit.

Pour le service, contacter le fournisseur duquel vous avez acheté votre produit Invacare,. Dans le cas où le service de garantie n'est pas satisfaisant, veuillez écrire directement à Invacare à l'adresse indiquées au bas de cette page . Veuillez fournir le nom du fournisseur, son adresse, le numéro de modèle, la date d'achat, indiqué la nature du problème, et indiquer le numéro de série si le produit en comporte un.

À la réception d'une allégation de défaut, Invacare émettre une autorisation de retour. Les pièces ou l'unité défectueuses doivent être retournées pour inspection en identifiant le numéro de série, s'il y a lieu, dans les trente (30) jours suivant la date d'autorisation de retour. Ne pas retourner un produit à l'usine avant d'avoir eu notre consentement. Les envois payables sur réception seront refusés; veuillez payer les frais d'envoi.

**Restrictions:** La présente garantie ne s'applique pas aux produits dont le numéro de série a été effacé ou modifié, aux produits mal entretenus, accidentés, inadéquatement utilisés, entretenus ou entreposés, placés dans un environnement enfumé ou contenant de la suie, d'usage commercial ou d'usage autre que l'usage normal ou aux produits modifiés sans le consentement écrit d'**INVACARE**, (incluant, mais ne se limitant pas à, la modification avec des pièces ou accessoires non autorisés), aux produits endommagés par des réparations faites sans l'approbation d'Invacare, ou aux produits endommagés dans des circonstances au-delà du contrôle d'**INVACARE**, et l'évaluation sera faite par **INVACARE**.

**LA PRÉSENTE GARANTIE EST EXCLUSIVE ET REMPLACE TOUTES LES AUTRES GARANTIES. LES GARANTIES IMPLICITES, S'IL Y A LIEU, INCLUANT LA GARANTIE DE COMMERCIALISATION ET D'AJUSTEMENT DANS UN BUT PARTICULIER, NE DOIVENT SE PROLONGER AU-DELA DE LA DURÉE DE LA PRÉSENTE GARANTIE, ET LE RECOURS POUR VIOLATION DE QUELCONQUE GARANTIE IMPLICITE DOIT SE LIMITER À LA RÉPARATION OU AU REMPLACEMENT DU PRODUIT DÉFECTUEUX CONFORMÉMENT AUX PRÉSENTS TERMES. INVACARE NE SERA PAS TENU RESPONSABLE POUR TOUT DOMMAGE-INTÉRÊT DIRECT OU ACCESSOIRE.**

**CERTAINS ÉTATS N'AUTORISANT PAS LES RESTRICTIONS POUR DOMMAGES-INTÉRÊTS ACCESSOIRES OU DOMMAGES INDIRECTS OU LA DURÉE DE LA GARANTIE IMPLICITE, LES RESTRICTIONS CI-DESSUS POURRAIENT NE PAS S'APPLIQUER DANS VOTRE CAS.**

**CETTE GARANTIE DEVRA ÊTRE ÉLARGIE POUR RÉPONDRE AUX LOIS ET AUX RÈGLEMENTS DES ÉTATS (PROVINCES).**



Invacare Corporation [www.invacare.com](http://www.invacare.com)

**USA**  
One Invacare Way  
Elyria, Ohio USA  
44036-2125  
800-333-6900

**Canada**  
570 Matheson Blvd E.  
Unit 8 Mississauga, Ontario  
L4Z 4G4, Canada  
800-668-5324

Invacare is registered trademark of  
Invacare Corporation.  
Yes, you can is a trademark of Invacare  
Corporation.  
© 2003 Invacare Corporation  
Part No. 1114832 Rev B - 5/03

## Free Manuals Download Website

<http://myh66.com>

<http://usermanuals.us>

<http://www.somanuals.com>

<http://www.4manuals.cc>

<http://www.manual-lib.com>

<http://www.404manual.com>

<http://www.luxmanual.com>

<http://aubethermostatmanual.com>

Golf course search by state

<http://golfingnear.com>

Email search by domain

<http://emailbydomain.com>

Auto manuals search

<http://auto.somanuals.com>

TV manuals search

<http://tv.somanuals.com>