



SAVE THESE INSTRUCTIONS

NOTE: Check all parts for shipping damage before using. In case of damage, DO NOT use the equipment. Contact the Dealer/Carrier for further instructions.

SAFETY SUMMARY

GENERAL WARNINGS

DO NOT install or use this equipment without first reading and understanding these instructions. If you are unable to understand the Warnings, Cautions or Instructions, contact a healthcare professional, dealer or technical personnel before attempting to install this equipment - otherwise, injury or damage may occur.

The weight capacity is limited to the lowest rated capacity of any one (1) of the components in use (i.e. Patient Lift, Sling or Scale). The patient's weight MUST NOT exceed the lowest rated capacity of any component.

INSTALLATION WARNINGS

After ANY adjustments, repair or service and BEFORE use, make sure all attaching hardware is tightened securely.

Patient and sling MUST be removed from the lift during ALL installation procedures.

This kit contains the following:

DESCRIPTION	QTY
Washers	2

CHECKING FOR PROPER SCALE INSTALLATION (FIGURE 1)

NOTE: Refer to the INSTALLATION WARNINGS in the SAFETY SUMMARY of this instruction sheet.

Proper Shoulder Screw Installation

1. Examine shoulder bolt and nut securing the load cell assembly to the boom mounting bracket. Look for the following conditions:
 - A. The shoulder bolt head should be flush against the outside of the boom mounting bracket.
 - B. The nut should be tight against the shoulder bolt shaft.
 - C. The shoulder bolt with the nut installed should turn freely in the load cell assembly mounting holes.
2. Perform one (1) of the following:
 - A. **ANY CONDITIONS FROM STEP 1 ARE NOT MET** - Proceed to STEP 3.
 - B. **ALL CONDITIONS FROM STEP 1 ARE MET** - Proceed to PROPER WASHER INSTALLATION in this instruction sheet.

3. Remove the nut from the shoulder bolt.
4. Position the shoulder bolt so the head is flush with the outside of the boom mounting bracket.
5. Install the nut until it is tight against the shaft of the shoulder bolt.
6. Repeat STEPS 1-2.

Proper Washer Installation

1. Examine the washers on the inside of the boom mounting bracket to see if the washers are binding against the corners of the boom mounting bracket.
2. Spin the washers on the inside of the boom mounting bracket to see if the washers spin freely.
3. If the washers ARE binding against the corners of the boom mounting bracket and/or DO NOT spin freely, the washers MUST be replaced. Refer to REPLACING WASHERS in this instruction sheet.

REPLACING WASHERS (FIGURE 1)

NOTE: Refer to the INSTALLATION WARNINGS in the SAFETY SUMMARY of this instruction sheet.

1. Remove the nut, shoulder bolt and two (2) existing large washers securing the load cell assembly to the boom mounting bracket.
2. Position the load cell assembly into the boom mounting bracket, with the scale facing the direction shown in FIGURE 1.

NOTE: The end of the scale with the Invacare logo should be towards the inside of the lift.

3. Perform one (1) of the following:
 - A. **ALL RELIANT MODEL LIFTS** - Position one (1) NEW large washer on each side of the load cell assembly, inside the boom mounting bracket.
 - B. **MODEL 9805 LIFTS** - Proceed to STEP 4.
4. Align the mounting holes in the load cell assembly, NEW large washers (if applicable) and the boom mounting bracket.
5. Secure the load cell assembly with washers (if applicable) to the boom mounting bracket with the shoulder bolt and nut. Perform the following steps:
 - A. Insert the shoulder bolt through the boom mounting bracket, large washers (if applicable) and load cell assembly so the head is flush with the outside of the boom mounting bracket.
 - B. Install the nut until it is tight against the shaft of the shoulder bolt.

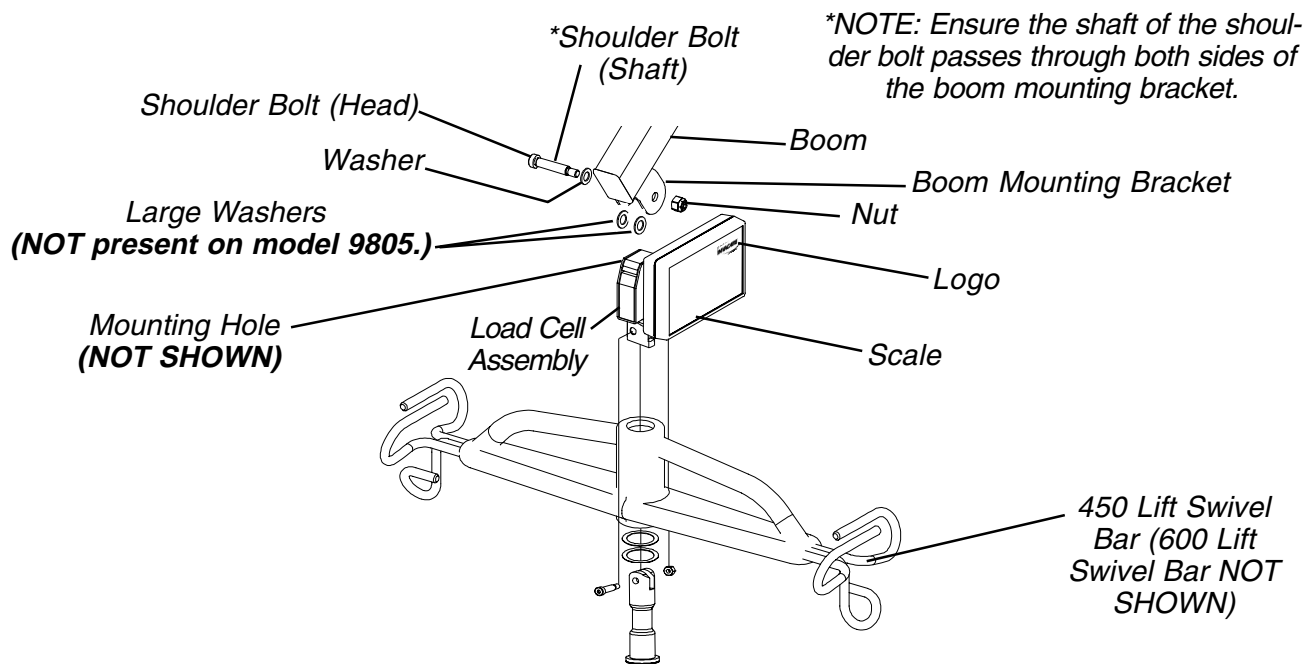


FIGURE 1 - CHECKING FOR PROPER SCALE INSTALLATION / INSTALLING WASHERS



Invacare Corporation

www.invacare.com

USA
One Invacare Way
Elyria, Ohio USA
44036-2125
800-333-6900

Canada
5970 Chedworth Way
Mississauga, Ontario
L5R 3T9, Canada
905-890-8838

Invacare and "Yes, you can" are trademarks of Invacare Corporation.

©2000 Invacare Corporation

Form No. 00-157 (Part No. 1100882) Rev A (1) 10/00

Free Manuals Download Website

<http://myh66.com>

<http://usermanuals.us>

<http://www.somanuals.com>

<http://www.4manuals.cc>

<http://www.manual-lib.com>

<http://www.404manual.com>

<http://www.luxmanual.com>

<http://aubethermostatmanual.com>

Golf course search by state

<http://golfingnear.com>

Email search by domain

<http://emailbydomain.com>

Auto manuals search

<http://auto.somanuals.com>

TV manuals search

<http://tv.somanuals.com>