



Invacare® **TheraPure™** Supine Whirlpool Tubs

Model 6302G

Model 6302GADH

User Manual

EN



This manual MUST be given to the user of the product.

BEFORE using this product, read this manual and save for future reference.

Download from www.somanuals.com. All Manuals Search And Download.



Yes, you can.®

CONTENTS

1 GENERAL	4
Symbols	4
Limited Warranty	5
2 SAFETY	6
General Guidelines	6
Important Safety Information	6
3 OVERVIEW	8
Features	8
Product Labeling.....	10
Typical Product Parameters	11
Minimum Floor Space and Clearance Requirements.....	13
4 INSTALLATION	14
Preparing the Work Area	14
Tub Dimensions and Connection Details	15
Securing the Tub	16
Leveling the Tub	16
Electrical Installation.....	17
Plumbing Connection Details.....	18
Plumbing Installation.....	18
Post Installation Checklist.....	20

5	OPERATION	21
	Overview	21
	Cleaning and Disinfecting	23
	Water Temperature Setting.....	26
	Filling the Tub	27
	Using the Shower/Massage Wand.....	27
	Using the Whirlpool Function	28
	Adjusting the Tub Height - 6302GADH Only	28
6	INSPECTION, MAINTENANCE AND TROUBLESHOOTING	29
	Safety Inspection Checklists	29
	Maintenance for 6302GADH Adjustable Height Rub Panels and Glide Pads	30
	Troubleshooting.....	30
	Maintenance Record.....	31

I General

I.1 Symbols

Warnings

Signal words are used in this manual and apply to hazards or unsafe practices which could result in personal injury or property damage. See the information below for definitions of the signal words.



DANGER

Danger indicates an imminently hazardous situation which, if not avoided, will result in death or serious injury.



WARNING

Warning indicates a potentially hazardous situation which, if not avoided, could result in death or serious injury.



CAUTION

Caution indicates a potentially hazardous situation which, if not avoided, may result in property damage or minor injury or both.



IMPORTANT

Indicates a hazardous situation that could result in damage to property if it is not avoided.



Gives useful tips, recommendations and information for efficient, trouble-free use.

1.2 Limited Warranty



PLEASE NOTE: THE WARRANTY BELOW HAS BEEN DRAFTED TO COMPLY WITH FEDERAL LAW APPLICABLE TO PRODUCTS MANUFACTURED AFTER JULY 4, 1975.

This warranty is extended only to the original purchaser/user of our products.

This warranty gives you specific legal rights and you may also have other legal rights which vary from state to state.

Invacare Continuing Care, Inc. (ICCI) warrants its bathing/whirlpool products to be free from defects in materials and workmanship for a period of three years from the date of purchase. Warranty obligation is limited to parts replacement only. Warranty replacement parts are only covered for the duration of the warranty period. All purchased replacement parts will carry a 30-day warranty from the date of shipment. If within such warranty period any such product shall be proven to be defective, such product shall be repaired or replaced, at ICCI's option. This warranty does not include any labor or shipping charges incurred in replacement part installation or repair of any such product. ICCI's sole obligation and your exclusive remedy under this warranty shall be limited to such repair and/or replacement.

For warranty service, please contact the dealer from whom you purchased your ICCI product. In the event you do not receive satisfactory warranty service, please write directly to ICCI at the address below. Provide dealer's name, address, model number, date of purchase, indicate nature of the defect and, if the product is serialized, indicate the serial number.

ICCI will issue a return authorization. The defective unit or parts must be returned for warranty inspection using the serial number, when applicable, as identification within thirty days of return authorization date. DO NOT return products to our factory without our prior consent. C.O.D. shipments will be refused; please prepay shipping charges.

LIMITATIONS AND EXCLUSIONS: THE WARRANTY SHALL NOT APPLY TO PROBLEMS ARISING FROM NORMAL WEAR OR FAILURE TO ADHERE TO THE ENCLOSED INSTRUCTIONS. LABOR; EXPENDABLE ITEMS, I.E. SHOWER HOSES, VALVES, "O" RINGS, SEALS; PARTS BROKEN DUE TO ABUSE OR IMPROPER USE; ITEMS THAT BECOME INOPERABLE DUE TO LACK OF MAINTENANCE, OR NON COMPATIBLE CHEMICALS; STAINS DUE TO HARD WATER, IODINE SOLUTIONS, OR OTHER UNAPPROVED CHEMICALS; "SPIDER" CRACKS OR "CRACKING" DUE TO MISHANDLING OR ABUSE. IN ADDITION, THE FOREGOING WARRANTY SHALL NOT APPLY TO SERIAL NUMBERED PRODUCTS IF THE SERIAL NUMBER HAS BEEN REMOVED OR DEFACED; PRODUCTS SUBJECT TO NEGLIGENCE, ACCIDENT, IMPROPER OPERATION, MAINTENANCE OR STORAGE; OR PRODUCTS MODIFIED WITHOUT ICCI'S EXPRESS WRITTEN CONSENT INCLUDING, BUT NOT LIMITED TO: MODIFICATION THROUGH THE USE OF UNAUTHORIZED PARTS OR ATTACHMENTS; PRODUCTS DAMAGED BY REASON OF REPAIRS MADE TO ANY COMPONENT WITHOUT THE SPECIFIC CONSENT OF ICCI; PRODUCTS DAMAGED BY CIRCUMSTANCES BEYOND ICCI'S CONTROL; PRODUCTS REPAIRED BY ANYONE OTHER THAN AN ICCI DEALER, SUCH EVALUATION SHALL BE SOLELY DETERMINED BY ICCI.

THE FOREGOING EXPRESS WARRANTY IS EXCLUSIVE AND IN LIEU OF ANY OTHER WARRANTIES WHATSOEVER, WHETHER EXPRESS OR IMPLIED, INCLUDING THE IMPLIED WARRANTIES OF MERCHANTABILITY AND FITNESS FOR A PARTICULAR PURPOSE, AND THE SOLE REMEDY FOR VIOLATIONS OF ANY WARRANTY WHATSOEVER, SHALL BE LIMITED TO REPAIR OR REPLACEMENT OF THE DEFECTIVE PRODUCT PURSUANT TO THE TERMS CONTAINED HEREIN. THE APPLICATION OF ANY IMPLIED WARRANTY WHATSOEVER SHALL NOT EXTEND BEYOND THE DURATION OF THE EXPRESS WARRANTY PROVIDED HEREIN. THE MANUFACTURER SHALL NOT BE LIABLE FOR ANY CONSEQUENTIAL OR INCIDENTAL DAMAGES WHATSOEVER.

THIS WARRANTY SHALL BE EXTENDED TO COMPLY WITH STATE/PROVINCIAL LAWS AND REQUIREMENTS.

2 Safety

The Safety section contains important information for the safe operation and use of this product.

2.1 General Guidelines



WARNING

DO NOT use this product or any available optional equipment without first completely reading and understanding these instructions and any additional instructional material such as owner's manuals, service manuals or instruction sheets supplied with this product or optional equipment. If you are unable to understand the warnings, cautions or instructions, contact a healthcare professional, dealer or technical personnel before attempting to use this equipment - otherwise, injury or damage may occur.



ACCESSORIES WARNING

Invacare products are specifically designed and manufactured for use in conjunction with Invacare accessories. Accessories designed by other manufacturers have not been tested by Invacare and are not recommended for use with Invacare products.



NOTICE

THE INFORMATION CONTAINED IN THIS DOCUMENT IS SUBJECT TO CHANGE WITHOUT NOTICE.

2.2 Important Safety Information



DANGERS - ELECTRICAL SHOCK HAZARD

Grounding is required.

The installation and maintenance of the tub MUST be done by a qualified technician, certified electrician or plumber. Disconnect electrical supply or turn off circuit breaker before installing or performing any maintenance on the tub. The unit MUST be connected only to a supply circuit that is protected by a ground fault circuit-interrupter (GFCI). Be certain ALL electrical work is performed by a qualified electrician and is in compliance with local electrical codes. ALL electrical connections are to be water resistant



DANGER - RISK OF SCALDING

The hot water supply to the tub MUST not exceed 110°F (43° C) to protect the user from scalding.

**WARNING - PLUMBING**

Be certain all plumbing work is performed by a qualified plumber and is in compliance with local codes.

**WARNING - FLOOR LOAD CAPACITY**

The installation area **MUST** be able to support 66 pounds per square inch (45 n/cm²) load capacity of the tub. Otherwise, damage may occur.

**WARNINGS - SAFE USE**

Use this unit only for its intended use as described in this manual.

If any part of the system is not functioning properly, **DO NOT** use the tub.

NEVER drop or insert any object into any opening.

DO NOT operate the tub without the jet assemblies installed.

The tub **MUST** be cleaned and disinfected after each use. Refer to [Cleaning and Disinfecting](#) on page 23.

Keep hair and body away from the jet assemblies when pump is running.

Hyperthermia occurs when the internal temperature of the body reaches a level several degrees above the normal body temperature of 98.6° F. The symptoms of hyperthermia include an increase of the internal temperature of the body, dizziness, lethargy, drowsiness, and fainting.

The tub is specifically designed to be used with a bath lift. ICCI recommends use of the Stretcher Lift Model 1200 **ONLY**. Bath lifts designed by other manufacturers are **NOT** to be used with the tub. Use the Stretcher Lift Model 1200 to maintain resident safety and product utility. Refer to the lift owner's manual for complete lift operating and safety instructions.

To reduce the risk of injury, **DO NOT** permit children or infirm persons to use this tub **UNLESS THEY ARE SUPERVISED AT ALL TIMES**.

Recommended length of time spent in a bath is 5 to 10 minutes. However, if you or the person you are caring for becomes nauseated or dizzy or the person develops a headache, get out of the tub at once and safely bring the body temperature back to normal (98.6°F).

Seek medical attention if symptoms or sickness persist. Check with the physician **BEFORE** using the tub again.

Anyone under a doctor's supervision, pregnant, or with poor health should check with a physician **BEFORE** using this tub.

3 Overview

3.1 Features

Tub Raise and Lower Buttons (Model 6302GADH ONLY)

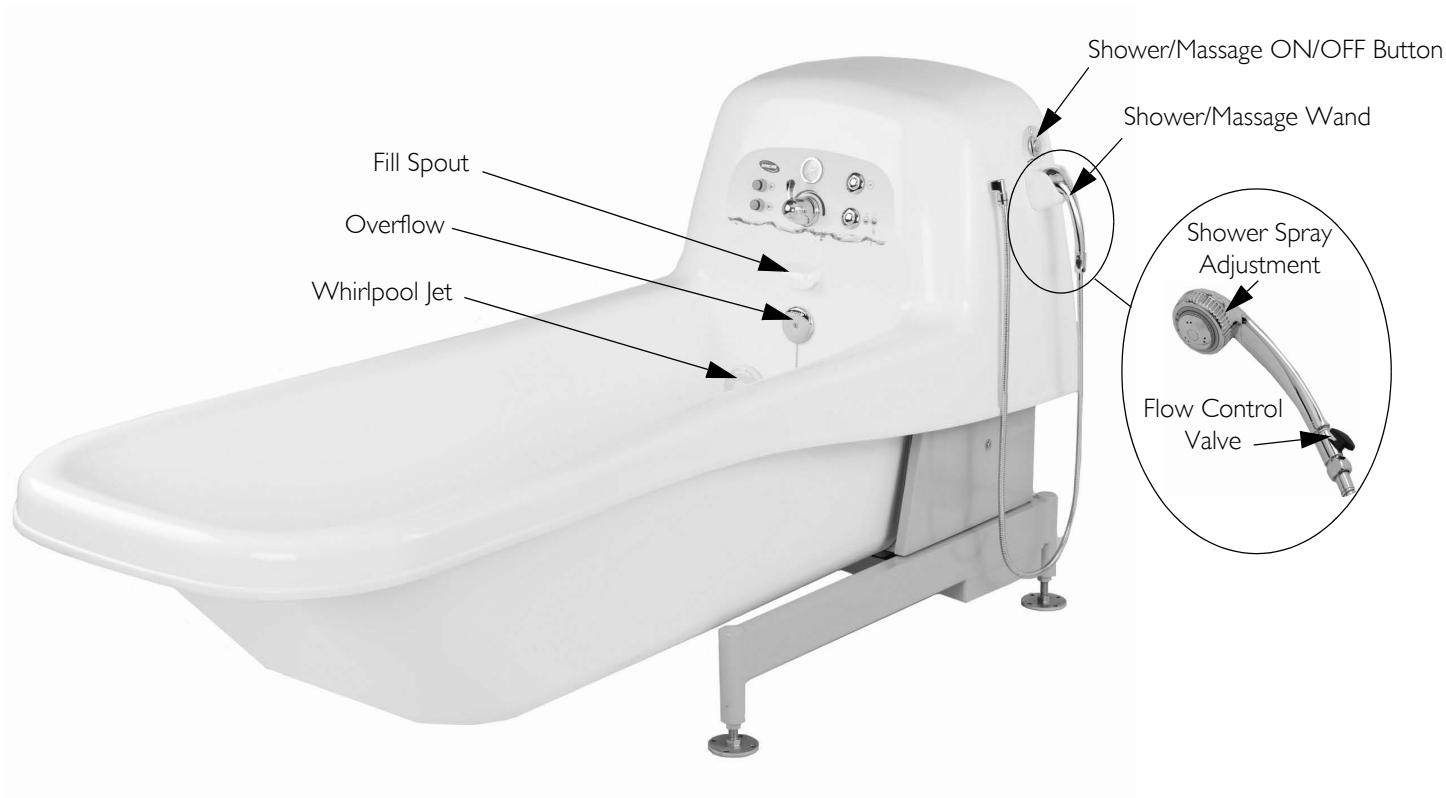
Water Temperature Thermometer

Whirlpool ON/OFF Button

Fill Button
(Push-in once to auto-fill,
push-in and hold to add
additional water to tub)

Water Temperature Control





3 OVERVIEW

3.2 Product Labeling



Labels located inside the Service Access Door

INVACARE CONTINUING CARE, INC.
Elyria, OH 44028 U.S.A.

MODEL NO.	SERIAL NO.	MFG. DATE

VOLTS: 115 VAC
AMPS: 7.0 Max Continuous Duty
CYCLE: 60 Hz

2980762
Conforms to UL 60069 - 1 and UL 1790
Certified in CANADA to C22.2 PRO-1 - 950
and CAN/CSA 945.10.01

L27010
ADME A112.10.1 - 05 / CSA 9125.1 - 05
CSA 9.120.2, CSA 905.10 - 01, CSA 945.9.02
CSA 945.9 - 02, IEC 121-1:2000
ANSI/ISO A112.15.7/1995, ANSI Z39.1.2.2001

⚠ DANGER

ELECTRICAL SHOCK HAZARD.
The National Electrical Code requires the use of a ground fault circuit interrupter (GFCI) on all therapeutic pools and tubs (hydro-therapeutic tanks). Failure to follow this requirement could result in serious or fatal injury. All disassembly and maintenance of the Tub **MUST** be done by a qualified technician, certified electrician or plumber. Disconnect electrical supply or turn OFF circuit breaker before performing any maintenance to the Tub. **DO NOT** remove this label.

1167454 Rev A

⚠ WARNING

DO NOT operate or service this equipment without first reading and understanding the user manual.

1167463 Rev A

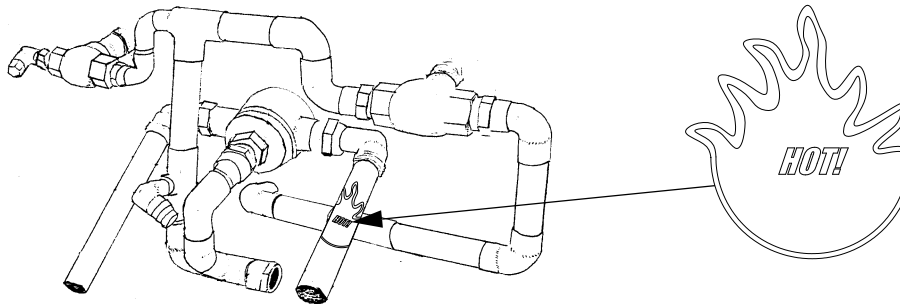
CAUTION

Some state and local plumbing codes require the installation of a "reduced pressure zone" (RPZ) assembly on both the incoming hot and cold supply lines to prevent back flow contamination into the potable water system. Invacare recommends you check local plumbing code requirements to determine if RPZs are required on your tub installation. RPZs are **NOT** supplied by Invacare and are to be provided by the customer if required.

PIN 1150759 Rev A



Label located on Interior Hardware



3.3 Typical Product Parameters

**6302G
FIXED HEIGHT****6302GADH
ADJUSTABLE HEIGHT**

Weight		
Tub (shipping weight)	820 pounds (371 kg)	
Tub (empty)	795 pounds (360 kg)	
Tub w/103 gallons of water (max water capacity)	1,695 pounds (767 kg)	
Floor Load Capacity	66 PSI (45 n/cm ²)	
Height		
Tub Rim	32 inches (813 mm)	
Raised	N/A	41 inches (1041 mm)
Lowered	N/A	27 inches (686 mm)
Overall Tub Height	56 inches (1422 mm)	
Raised	N/A	65 inches (1651 mm)
Lowered	N/A	51 inches (1295 mm)
Width		
Tub Exterior	38 inches (965 mm)	
Tub Interior at Shoulder	30 inches (762 mm)	
Tub Interior at Hip	25 inches (635 mm)	
Tub Interior at Foot	22 inches (559 mm)	
Length		
Overall Tub Length	94 inches (2388 mm)	
Tub Interior	69 inches (1753 mm)	
Frame Base	49 inches (1245 mm)	
Water Capacity		
Maximum	103 gallons (390 liters)	
with Tub occupied (average usage)	70-77 gallons maximum (265 to 292 liters)	
Water Fill Rate	17 gallons per minute (65 liters per minute)	

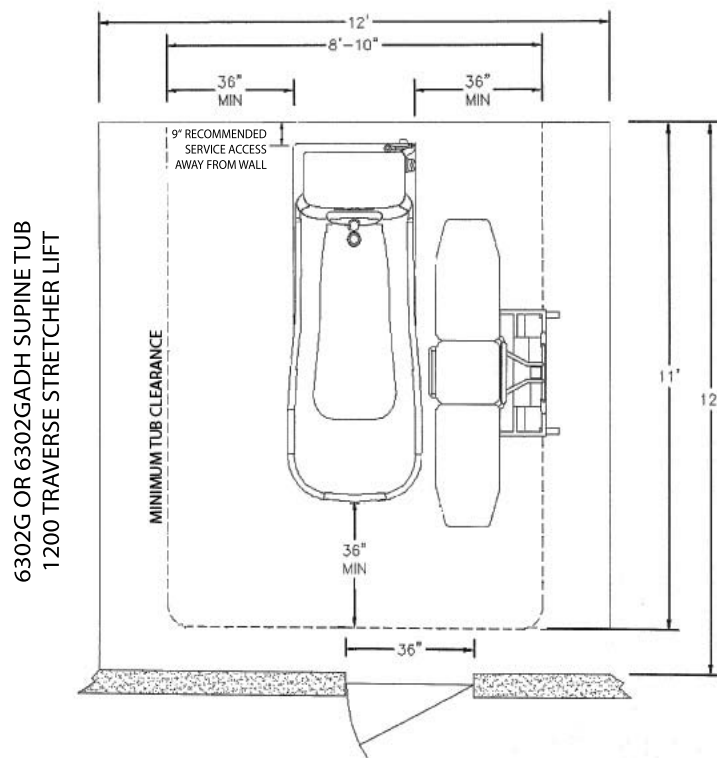
3 OVERVIEW

6302G FIXED HEIGHT

6302GADH ADJUSTABLE HEIGHT

Water Pressure	65 PSI maximum (448 kPa)
Water Drain Rate	25 gallons per minute (95 liters per minute)
Number of Jets	4
Electrical Classification Power Current Rating	Class I, Type B 115 VAC, 60 Hz 7 Amps
Tub Material:	Double-wall gel coated fiberglass
Thermometer:	2 inch dial, 75° to 120° F (25° - 50° C)
Anti-Scald Water Regulator:	Moen ExactTemp®

3.4 Minimum Floor Space and Clearance Requirements



4 Installation



WARNINGS

Check all parts for shipping damage. In case of damage, DO NOT use. Contact the carrier for further instruction. The installation area MUST be able to support the 66 pounds per square inch (45 n/cm²) load capacity of the tub. Otherwise, injury or damage might occur. Access for servicing the tub MUST be provided. Install the tub in a location that will permit access to the service panels, plumbing and electrical hookup.



CAUTIONS

DO NOT lift the tub by the plumbing. DO NOT modify the tub in any way. Modifications to the system or any component may cause the system to malfunction and will void the warranty.

4.1 Preparing the Work Area

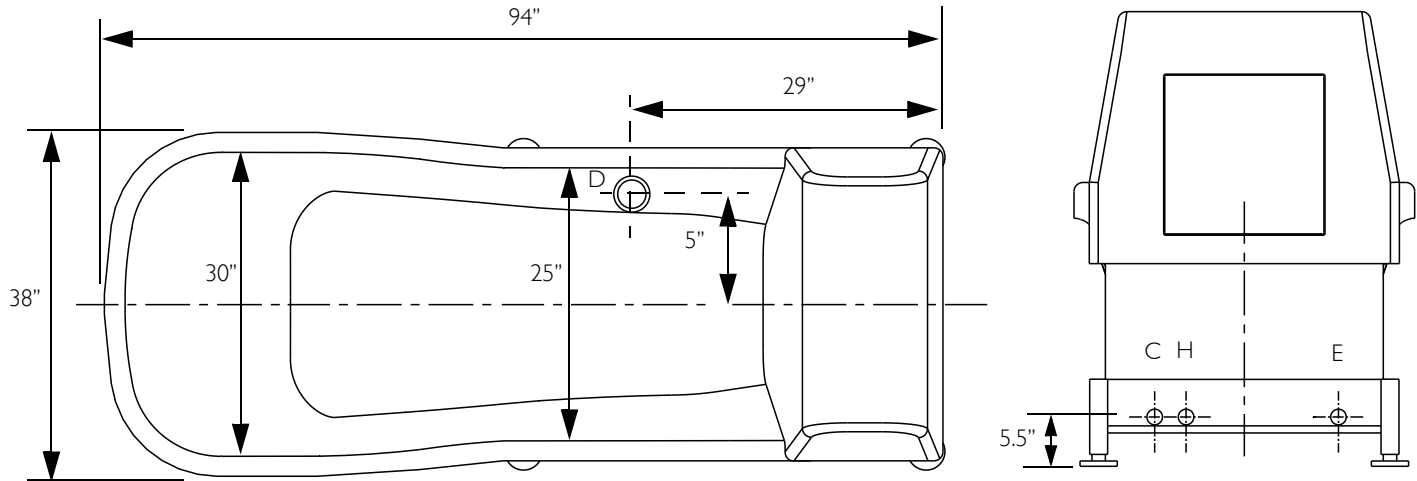


Access for servicing the tub MUST be provided.

Follow the recommended floor plan when installing the tub. Refer to [Minimum Floor Space and Clearance Requirements](#) on page 13.

1. Carefully remove the tub from the carton and inspect for shipping damage. If damage is found, contact the carrier.
2. Remove the tub from the shipping pallet by removing the screws from the leg mounting pads.

4.2 Tub Dimensions and Connection Details



Connection	Location	Type
C	10" (254 mm) from centerline, 5.5" (140 mm) up from floor	3/4" Cold water stub (with recommended shut off valve)
D	5" (127 mm) from centerline, 29" (736 mm) from tub back edge	2" Drain (floor drain recommended)
E	10.5" (267 mm) from centerline	115V AC, 60 Hz 15 A Input
H	6.5" (165 mm) from centerline, 5.5" (140 mm) up from floor	3/4" Hot water stub (with recommended shut off valve)

4 INSTALLATION

4.3 Securing the Tub



WARNINGS

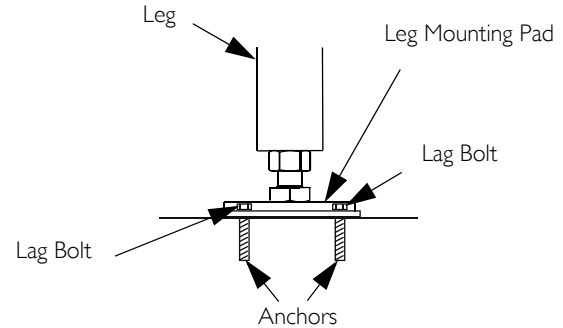
Protective eye wear **MUST** be worn when drilling to avoid possible eye injury.
DO NOT adjust height of legs more than 1 inch. The leg will disassemble from leg mounting pad and serious injury may occur.

1. Set the tub in place.
2. Ensure the plumbing and electrical hook-ups have been installed.
3. Mark the locations of the anchor holes, using pre-drilled holes in leg mounting pads as a template.
4. Move the tub away from the mounting area.
5. Drill anchor holes in floor. Use jack-drill and carbide bit in concrete or a wood bit for wood floors.
6. Reposition the tub in the mounting area, aligning the holes in the leg mounting pads with the holes drilled in STEP 4.

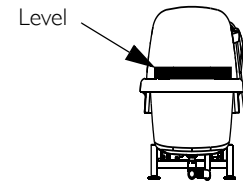
4.4 Leveling the Tub

1. Level the tub by adjusting the telescopic legs either up or down, using a wrench, to arrive at the desired height.
2. Check to make sure the tub is level by placing a level on the front and sides of the tub.
3. Repeat STEPS 1 and 2 until the tub is level.
4. Secure the legs to the floor using fasteners appropriate to the floor material and in keeping with local codes.

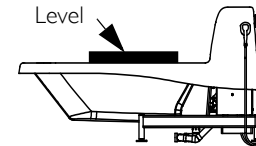
SECURING LEGS TO FLOOR



LEVELING SIDE TO SIDE



LEVELING END TO END



4.5 Electrical Installation



DANGERS - ELECTRICAL SHOCK HAZARD

Grounding is required.

The installation and maintenance of the tub **MUST** be done by a qualified technician, certified electrician or plumber.

Disconnect electrical supply or turn off circuit breaker before installing or performing any maintenance on the tub.

The National Electric Code requires the use of a ground fault circuit interrupter on all therapeutic pools and tubs (hydro therapeutic tanks). Failure to follow this requirement could result in serious or fatal injury. Use a 15 AMP GFCI breaker only.

Be certain ALL electrical work is performed by a qualified electrician and is in compliance with local electrical codes.

ALL electrical connections **MUST** be water resistant.



WARNINGS

The unit **MUST** be connected only to a supply circuit that is protected by a ground fault circuit-interrupter (GFCI). Such a GFCI should be provided by the installer and should be tested on a routine basis. To test the GFCI, push the test button. The GFCI should interrupt power. Push the reset button. Power should be restored. If the GFCI fails to operate in this manner, GFCI is defective. If the GFCI interrupts power to the bathtub without the test button being pushed, a ground current is flowing, indicating the possibility of an electric shock. **DO NOT** use this tub. Disconnect the tub and have the problem corrected by a qualified service representative **BEFORE** use.

All electrical conduit, fittings and wire to unit are to be supplied and installed by a professional electrician in accordance with the National electrical code as a minimum requirement, including the supply and installation of a Ground Fault Circuit Interrupter (GFCI).

For Canadian installation, ground fault interrupter and a 30-minute maximum timer **MUST** be installed in the electrical circuit. (Parts not supplied by ICCI). The unit must be operated through the circuit. The 30-minute timer must be located in a position where a person in the unit cannot reach the timer.

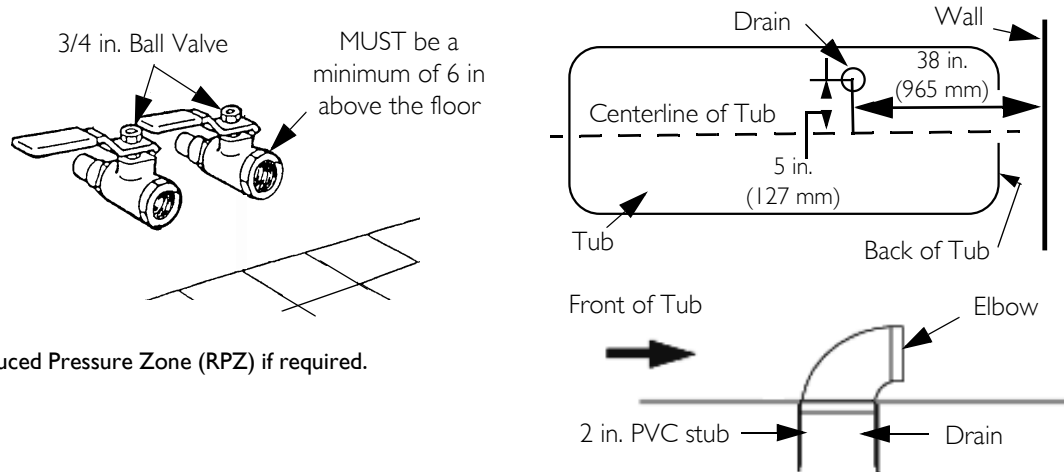


Use a 15 AMP GFCI breaker only.

Ensure a 15 AMP GFCI breaker is installed to protect the unit. Insert the plug into a pre-installed GFCI protected hospital grade receptacle.

4 INSTALLATION

4.6 Plumbing Connection Details




 Accommodate Reduced Pressure Zone (RPZ) if required.

FIGURE 4.1 Plumbing Connection Details

4.7 Plumbing Installation



DANGER

Be certain all plumbing work is performed by a qualified plumber and is in compliance with local codes. Check local codes regarding maximum water temperature allowed at hot water outlets for facility type.



WARNINGS

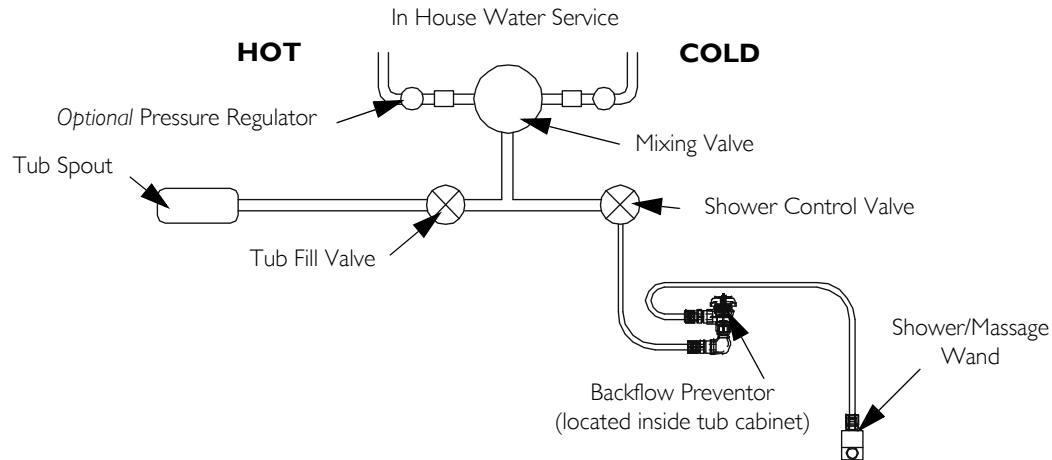
Be certain all plumbing work is performed by a qualified plumber and is in compliance with local codes. Some state and local plumbing codes require the installation of a “reduced pressure zone” (RPZ) assembly on both the incoming hot and cold supply lines to prevent back flow contamination into the potable water system. Invacare recommends you check local plumbing code requirements to determine if RPZs are required on your tub installation. RPZs are NOT supplied by Invacare and are to be provided by the customer if required.



CAUTIONS

Purge water lines. Hot and cold lines **MUST** be purged (blown down) to clear lines of debris prior to connection. Valves and spray heads may become inoperable and/or damaged if lines are not properly cleared. Items damaged in this way are not covered under the warranty. When operating water pressure exceeds 55 PSI, pressure regulators (similar to the ¾-inch Watts U5) **MUST** be installed.

1. Refer to Tub Dimensions and Connection Details on page 15 for the location of the hot water stub and cold water stub.
2. Measure the location of the drain on the unit. Install the drain in the floor.
3. Purge water lines. Hot and cold lines **MUST** be purged (blown down) prior to connection, to clear lines of debris.
4. Install ON/OFF valves at wall and use unions between valves and stubs.
5. Connect 2-inch drains in accordance with local plumbing codes.
6. Connect hot and cold supply lines to ¾-inch copper pipes found on back of tub in accordance with applicable building codes.
7. Attach the shower/massage wand and flow valve. Be sure to use the washers supplied.
8. Check for leaks in supply or drain lines and check operation of tub. Refer to Operation on page 21.



4 INSTALLATION

4.8 Post Installation Checklist

Before putting the tub into service, check the following:

- Water lines have been purged of any foreign matter.
- Both hot and cold water lines are properly connected to the tub.
- All water lines are checked for leaks.
- Power line is protected by a 15 AMP GFCI.
- ICCI skin care and cleaning products have been ordered. To place your order, call 800-668-2337.
- ICCI representative has been called to arrange for an In-Service on the tub. To schedule, call 800-668-2337.

5 Operation

5.1 Overview



WARNINGS

Read and understand ALL information in this manual BEFORE use.

Clean and disinfect the tub after EACH use to avoid resident infection and contamination of the tub.

DO NOT clean or disinfect the tub when it is occupied. Otherwise injury may occur.

To reduce the risk of injury, DO NOT permit children or infirm persons to use this tub UNLESS THEY ARE SUPERVISED ALL TIMES.

Recommended length of time spent in a bath is 5 to 10 minutes. However, if you or the person you are caring for becomes nauseated or dizzy or the person develops a headache, get out of the tub at once and safely bring the body temperature back to normal (98.6°F). Seek medical attention if symptoms or sickness persist. Check with the physician BEFORE using the tub again.

Anyone under a doctor's supervision, pregnant, or with poor health should check with a physician BEFORE using this tub.

The Supine Tub is specifically designed to be used with a bath lift. ICCI recommends use of the Traverse Lift Model I200 ONLY. Bath lifts designed by other manufacturers are NOT to be used with the Supine Tub. Use the Traverse Lift Model I200 to maintain resident safety and product utility. Refer to the lift owner's manual for complete life operating and safety instructions.

5 OPERATION

Tub Raise and Lower Buttons (Model 6302GADH ONLY)

Water Temperature Thermometer



Whirlpool ON/OFF Button

Fill Button
(Push-in once to auto-fill,
push-in and hold to add
additional water to tub)

Water Temperature Control

Perform these procedures in the following order:

1. Make sure that the tub has been cleaned, disinfected and rinsed BEFORE each use. Refer to Cleaning and Disinfecting on page 23.
2. Use the stretcher lift to transfer the resident to the tub.



The resident will remain on the stretcher lift during bathing.

3. Bathe the resident.
4. Drain the tub.
5. Transfer the resident from the tub.
6. Clean, disinfect and rinse the tub.

5.2 Cleaning and Disinfecting



WARNINGS

Clean and disinfect the tub after EACH use to avoid resident infection and contamination of the tub.

DO NOT clean or disinfect the tub when it is occupied. Otherwise injury may occur.

Read and understand ALL information on disinfecting BEFORE use.

ALWAYS wear rubber gloves, an apron and a face shield when using disinfectant. In case of eye or skin contact, follow procedures on the disinfectant container.



CAUTION

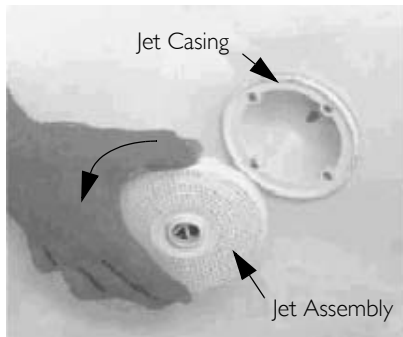
NEVER use abrasive cleaners like scouring powder or liquid cleaners containing pumice stone. The use of these types of cleaners will make the gel-coat finish of your tub scratched and dull. NEVER use cleaners containing iodine, Household Bleach, Bromine, Betadine® or Methylene Blue. The use of these types of cleaners will cause the tub to stain. Use of unapproved cleaners will dry out the rubber seals and gaskets and the tub will not function properly.

1. Use the drain plug to close the drain.

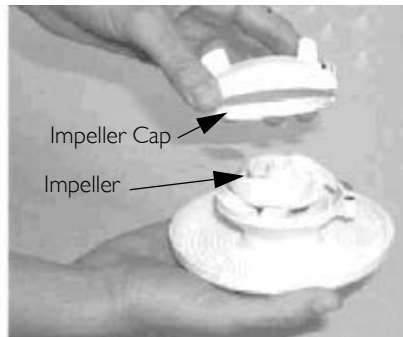
5 OPERATION

2. Remove and disassemble all jet assemblies.
 - A. Rotate each jet assembly counterclockwise and pull away from the jet casing. (Detail “A”).
 - B. Remove each impeller cap by rotating it clockwise (Detail “B”).
 - C. Remove each impeller (Detail “C”).

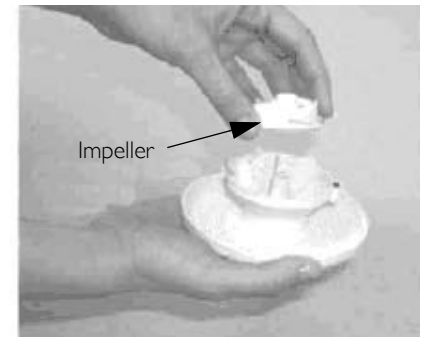
Detail “A”



Detail “B”



Detail “C”



3. Clean the pieces with Dispatch™ Cleaner and Disinfectant. Lay the pieces in the bottom of the tub.
4. Spray all surfaces of the tub with Dispatch Cleaner and Disinfectant. Take a long handled brush and thoroughly clean the interior surfaces of the tub and the jet casings.
5. Allow the Dispatch Cleaner and Disinfectant to sit on the surfaces for one minute.
6. Rinse all surfaces and pieces of the jet assemblies with water.
7. Use a clean towel to dry all tub surfaces.

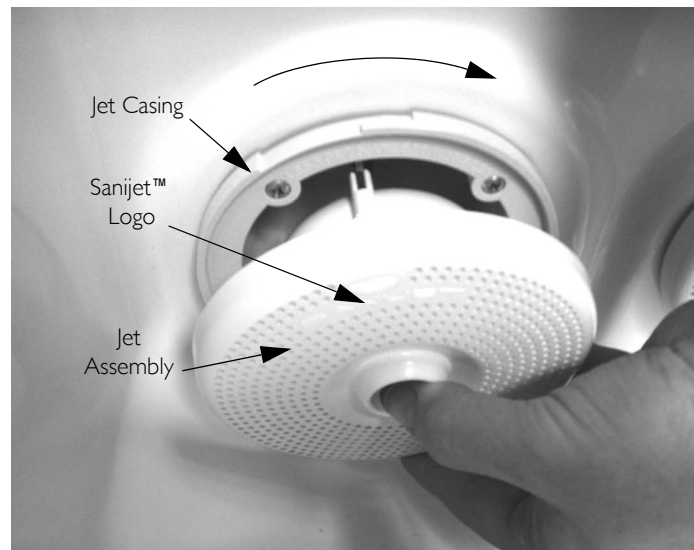
8. Replace the impeller and impeller cap on each jet assembly by rotating them counterclockwise.



CAUTION

Cross-threading the jet assembly onto the casing may cause damage to the whirlpool motor. After installation, ensure that the jet assembly is flush against the jet casing.

9. Assemble each jet assembly to the jet casings.
- Position the Sanijet[®] logo and red indicator at the 11 o'clock position.
 - Insert the jet assembly into the jet casing and rotate the jet assembly clockwise until it locks into place.



Removing Soap Film and Hard Water Deposits

Use a commercially available cleaner such as Invacare Heavy Duty Cleaner. Remove the jet assemblies. Remove the impeller caps. Thoroughly spray the exposed surfaces, including the jet casings. Use a long handled soft brush or similar product to wipe down all surfaces and allow the heavy duty cleaner to remain in contact with the exposed surfaces for approximately ten minutes. Rinse off surfaces using the shower wand, adjusted to spray position.

Removing Calcium Deposits, Scale and Lime Build-up

Spray a commercially available cleaner (full strength) for the intended application on all surfaces to be cleaned. Allow the cleaner to remain in contact with surfaces for at least five minutes to as long as 12 hours. Rinse off surfaces using the shower wand, adjusted to the spray position. Use the cleaner according to the manufacturer's instructions.

5 OPERATION

5.3 Water Temperature Setting



WARNING

The causes, symptoms and effects of hyperthermia may be described as follows: Hyperthermia occurs when the internal temperature of the body reaches a level several degrees above the normal body temperature of 98.6° F. The symptoms of hyperthermia include an increase in the internal temperature of the body, dizziness, lethargy, drowsiness, and fainting.

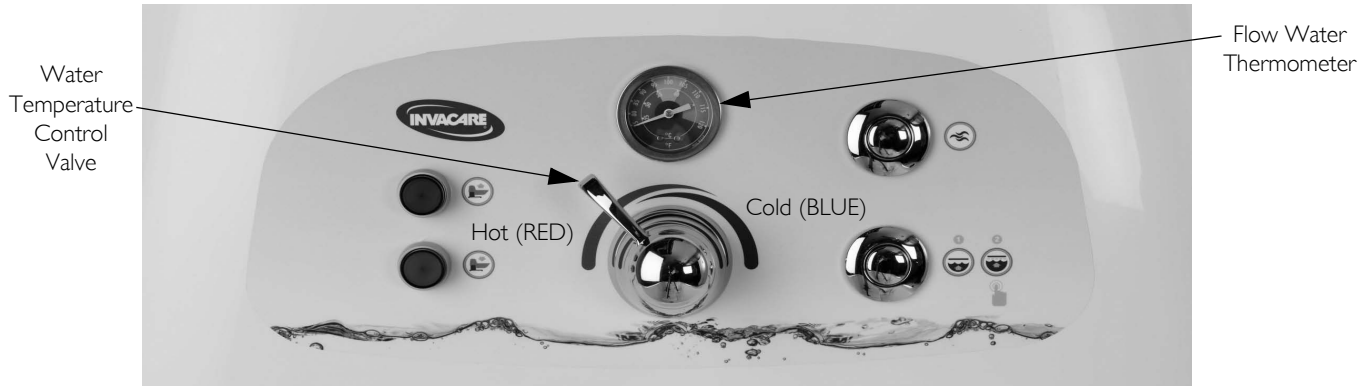
The effects of hyperthermia include:

- Failure to perceive heat
- Failure to recognize the need to exit the spa or hot tub
- Unawareness of impending hazard
- Fetal damage in pregnant women
- Physical inability to exit the spa or hot tub
- Unconsciousness resulting in the danger of drowning
- The use of alcohol, drugs, or medication can greatly increase the risk of fatal hyperthermia



Flow Water Thermometer - measures the temperature of water coming from the tub fill spout or shower/massage wand.

Water Temperature Control Valve - sets and maintains constant temperature for all incoming water.



5.4 Filling the Tub

1. Use the drain plug to close the drain.
2. Position the resident (on the stretcher lift) in the tub.
3. Push the tub fill button once to start auto-fill.



The tub will fill to a predetermined level. To stop the tub from filling during auto-fill, press the fill button a second time (there will be a five second delay). After the tub has auto-filled, push in and hold the tub fill button to add additional water.

4. Use the water temperature control valve to adjust the water temperature while watching the flow water thermometer. Test the water temperature with your hand.

5.5 Using the Shower/Massage Wand

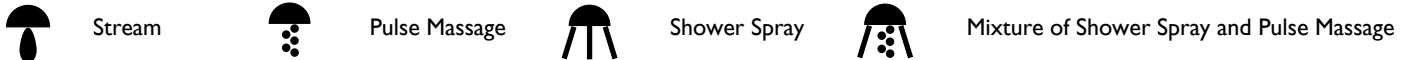


These instructions are to be done while holding the shower/massage wand over the tub.

1. Turn the shower/massage on by pushing the ON/OFF button.
2. Adjust the water temperature using the water temperature valve while watching the flow water thermometer. Test the temperature with your hand.
3. Adjust the flow of the water by turning the flow control.
4. Adjust the shower spray by rotating the shower wand head.
5. Turn the shower/massage off by pressing the ON/OFF button again.



Refer to the following chart for shower head adjustment settings.



Flow Control serves as a volume control and water saver.

The use of the Flow Control permits the reduction of water flow without the need for readjustment of water temperature during bathing. A trickle of water through the Flow Control when in the closed position is normal.

5 OPERATION

5.6 Using the Whirlpool Function

1. If the water level does not cover the whirlpool jets, push the tub fill button to auto-fill the tub.
2. After the water level covers the whirlpool jets and after bathing the resident, add Invacare Defoamer to the bath water. Refer to the Defoamer bottle for directions.
3. Push the whirlpool button to start whirlpool jets.
4. After use, press the whirlpool button again to stop the whirlpool jets.
5. Drain the tub completely.
6. Use the stretcher lift to transfer the resident from the tub.
7. Clean and disinfect the tub. Refer to [Cleaning and Disinfecting](#) on page 23.

5.7 Adjusting the Tub Height - 6302GADH Only



WARNING

DO NOT stand on the tub frame. Keep feet away from tub and frame, otherwise injury may occur.



CAUTION

DO NOT adjust the height more than three cycles (up and down) within a ten minute period. Damage to the actuator may result.

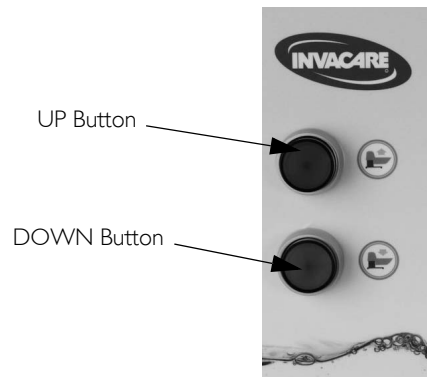
DO NOT adjust the tub so it hits the stretcher lift. If necessary, adjust the height of the stretcher lift. Otherwise damage to the tub may occur.



The tub stops automatically when the maximum height adjustment UP or DOWN is reached.

Perform one of the following:

- Press and hold the UP button. Release the UP button when the desired height is reached.
- Press and hold the DOWN button. Release the DOWN button when the desired height is reached.



6 Inspection, Maintenance and Troubleshooting

If any part of the system is not functioning properly, DO NOT use the system. For parts and technical service information please contact ICC Technical Service at (800) 668-2337, Extension 2.

6.1 Safety Inspection Checklists



Every six months or as necessary have a qualified technician perform a thorough inspection and servicing. Routine maintenance will extend the life and efficiency of your tub.

Initially

- Clean and Disinfect the tub. Refer to [Cleaning and Disinfecting](#) on page 23.
- Visually inspect plumbing for leaks. Make repairs as necessary.
- Ensure that the maximum water supply temperature does not exceed 110°F.
- Ensure that the maximum water pressure does not exceed 55 PSI.
- Verify the water flow temperature with a separate thermometer.
- Visually inspect for cracks in the tub surface.
- Check that all labels are present and legible. Replace if necessary.

Before Each Use

- Clean and Disinfect the tub. Refer to [Cleaning and Disinfecting](#) on page 23.
- Ensure that the maximum water fill temperature does not exceed 110°F (43° C).
- Ensure that the maximum water pressure does not exceed 55 PSI.
- Visually inspect for cracks in the tub surface.

Every Six Months

- Verify the water flow temperature with a separate thermometer.
- Visually inspect plumbing for leaks. Make repairs as necessary.
- Visually inspect the power cord for damage or breakage. Replace if necessary.
- Check that all labels are present and legible. Replace if necessary.
- Clean the Water Temperature Control Valve to remove lime deposits. Refer to [Removing Calcium Deposits, Scale and Lime Build-up](#) on page 25.
- 6302GADH ONLY - Apply white lithium grease to Glide Pads. Refer to [Maintenance for 6302GADH Adjustable Height Rub Panels and Glide Pads](#) on page 30.

6 INSPECTION, MAINTENANCE AND TROUBLESHOOTING

6.2 Maintenance for 6302GADH Adjustable Height Rub Panels and Glide Pads



The application of white lithium grease to the glide pads must be done every six months to keep the tub in good working order.

1. Remove the side panel to access the rub panels and glide pads.
2. Generously apply white lithium grease to the stainless steel rub panels and glide pads.
3. Repeat STEPS 1-2 for the opposite side.
4. Replace the side panels.

6.3 Troubleshooting



If problems are not remedied, contact technical support at 1-800-668-2337, Extension 2.

SYMPTOMS	FAULTS	SOLUTION
Hydromassage System		
System will not start	No electrical power to tub	Check and reset breaker
	Switch air hose disconnected	Reconnect hose to switch and controller
System is ineffective	Water deposits in whirlpool jets	Disassemble, inspect and clean whirlpool jets
System is noisy	Whirlpool jets are turned on without water completely covering the jet assemblies	Turn off the whirlpool jets. Add water to the tub to completely cover the jet assemblies and test the whirlpool function again.
Tub Operation		
No water flow	Water supply turned off/no electrical connection	Turn on water supply/check and reset breaker
Restricted water flow	Water temperature control valve	Inspect and clean the water temperature control valve. Refer to the Moen service manual at www.moen.com . Search for Model 3371 ExactTemp Temperature Control Valve, Service Manual Number 153768.

6 INSPECTION, MAINTENANCE AND TROUBLESHOOTING

SYMPTOMS	FAULTS	SOLUTION
Height Adjustment (Model 6302GADH Only)		
Tub will not raise or lower	Glide pads and rub panels not greased	Apply grease to glide pads and rub panels. Refer to <u>Maintenance for 6302GADH Adjustable Height Rub Panels and Glide Pads</u> on page 30.
	Bad electrical connections, no electrical power to tub	Unplug the tub. Check and reset GFCI. Check electrical cord, plug and outlet for damage. Replace damaged parts as necessary per local codes.
	Actuator overload	Wait five minutes and try to adjust the height again.
	Actuator burned out	Contact your Invacare Dealer.
	Obstacle in UP/DOWN travel path	Inspect for and remove any obstacle.

Maintenance Record

DATE	MAINTENANCE PERSON	TYPE OF MAINTENANCE PERFORMED	NOTES



Yes, you can.®

Invacare Corporation

www.invacare-cc.com

USA and Canada

One Invacare Way
Elyria, Ohio USA
44036-2125

Customer Service
1-800-668-2337
Technical Support
1-800-668-2337, Extension 2

Manufacturing Location

899 Cleveland Street
Elyria, Ohio 44036

© 2011 Invacare Corporation. All rights reserved. Republication, duplication or modification in whole or in part is prohibited without prior written permission from Invacare. Trademarks are identified by ™ and ®. All trademarks are owned by or licensed to Invacare Corporation or its subsidiaries unless otherwise noted.

Dispatch is a registered trademark of Clorox Industries, Inc.

Sanijet and Pipeless TM are registered trademarks of Maple Industries, LLC, d.b.a. Sanijet.

ExactTemp is a registered trademark of Moen Incorporated.

Betadine is a registered trademark of Purdue Pharma LP.

For more information regarding Invacare products, parts, and services, please visit www.invacare-cc.com.

Part No. 1167456

Rev C - 12/11

Invacare Continuing Care, Inc. is a subsidiary of Invacare Corporation



Free Manuals Download Website

<http://myh66.com>

<http://usermanuals.us>

<http://www.somanuals.com>

<http://www.4manuals.cc>

<http://www.manual-lib.com>

<http://www.404manual.com>

<http://www.luxmanual.com>

<http://aubethermostatmanual.com>

Golf course search by state

<http://golfingnear.com>

Email search by domain

<http://emailbydomain.com>

Auto manuals search

<http://auto.somanuals.com>

TV manuals search

<http://tv.somanuals.com>