



iPROFILE

QUICKSTART GUIDE

ENGLISH (1 – 5)

MANUAL DE INICIO RÁPIDO

ESPAÑOL (6 – 10)

GUIDE D'UTILISATION RAPIDE

FRANÇAIS (11 – 15)

KURZANLEITUNG

DEUTSCH (16 – 20)

GUIDA RAPIDO

ITALIANO (21 – 25)

SNELSTARTGIDS

NEDERLANDS (26 – 30)

QUICKSTART GUIDE

INTRODUCTION

- **READ SAFETY INSTRUCTION BOOKLET BEFORE USING THE PRODUCT**
- Go to <http://www.ion-audio.com> for product registration.

The iPROFILE is a revolutionary product which allows you to record music from vinyl records and external audio sources (e.g., tape players, reel-to-reel, etc.) directly to your iPod*. In addition, the USB turntable connects directly to your computer to turn your treasured vinyl recordings into digital music. We have included software to aid you in converting your vinyl recordings: Please note that it is not required to install any software in order to record directly to your iPod. However, you should install one of the following applications to take advantage of computer recording:

- **EZ Vinyl/Tape Converter (PC only)** is the quickest and easiest way to turn your recordings into digital media. EZ Vinyl/Tape Converter conveniently saves your recordings in your iTunes* library. Novice users may find this application preferable. On the CD, we have included a handy Software Quickstart Guide with step-by-step instructions on software installation and operation.
- **EZ Audio Converter (Mac only)** is a basic converter application for Mac OS X and is ideal for novice users. Please refer to the included Software Quickstart Guide for step-by-step instructions on software installation and operation.

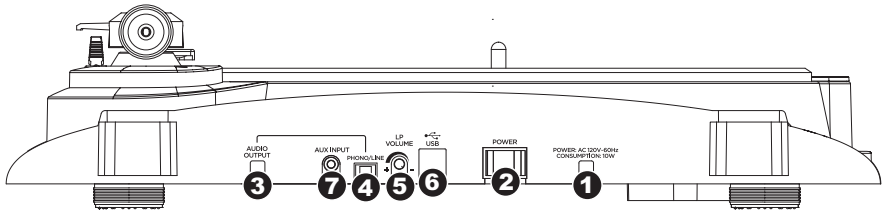
To install the software: simply insert the included CD into your computer and follow the on-screen instructions. After you finish converting your vinyl, you can then burn to CD or load onto portable media devices.

* iTunes and iPod are trademarks of Apple, Inc., registered in the U.S.A. and other countries.

BOX CONTENTS

- iPROFILE turntable
- Slipmat
- 45 RPM adapter
- USB Cable
- Software CD
- Quickstart Guide
- Safety Instructions & Warranty Information booklet

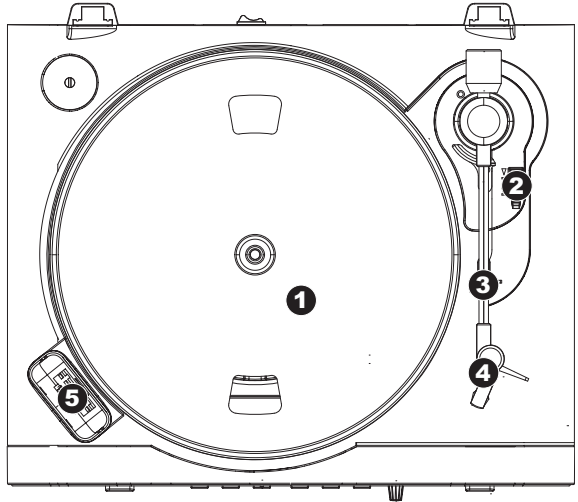
REAR PANEL OVERVIEW



- Power Cable** – This power cable should be plugged into a wall receptacle **AFTER** all audio connections are made.
- Power Switch** – Turns the unit on and off.
- Audio Output (RCA)** – These cables should be plugged into the audio inputs of your home stereo system. (Please note: you can still copy records to your iPod or computer, even if the audio outputs of the turntable are not connected to a stereo system).
- RCA Phono | RCA Line Switch** – Selects between PHONO and LINE for the Audio Output. Use PHONO level for plugging into a turntable input on a home stereo. Use the LINE level for plugging into CD/AUX/TAPE inputs.
WARNING: You may damage your receiver if you plug in a LINE level into a PHONO input.
- LP Volume** – This knob can be used to adjust the gain level of the audio signal from the turntable. If the audio from the turntable is too quiet or too loud, use this knob to adjust the volume setting.
- USB Audio Output** – Use the included USB Cable to connect your turntable to your computer. The USB connection will provide audio from the platter and 1/8" stereo aux input of the turntable to your computer. The USB connection will also output audio from your computer through the turntable's RCA outputs. For transferring your vinyl records to your computer, we have provided two different software packages on the included CD. EZ Vinyl/Tape Converter (PC) and EZ Audio Converter (Mac) are the easiest and quickest ways to transfer your vinyl records and should be used if you are a beginner.
- 1/8" Stereo Aux Input** – Connect tape players, reel-to-reel, or any other audio source here. This signal is sent to the computer through the USB. **Make sure that your phono cartridge is installed while using this input for maximum sound quality.** Also make sure that your RCA audio output jacks are either plugged into an input device or not in contact with metal.

TOP PANEL OVERVIEW

- Platter** – Put the record you would like to play here. (**Note:** Make sure that the slipmat is always placed on top of the platter while using the turntable. Failure to use the slipmat may cause damage to your media as well as damage to the turntable.)
- Raise / Lower Lever** – Raises and lowers the tonearm.
- Arm Clip** – This specially designed arm clip secures the tone arm while at rest or when not in use. The arm clip has been designed to remain in the up position while unlocked.
Note: When transporting the turntable, we recommend placing the plastic cover over the cartridge to prevent damage to the needle.
- Cartridge and Headshell** – The cartridge is pre-mounted on a standard headshell. The cartridge is user replaceable and compatible with a variety of standard cartridges. Be sure to remove the clear plastic cover before operating the turntable from the cartridge.



- Dock** – Connect your iPod to this dock. Please make sure that your iPod fits snugly over the dock connector but do not force it! For a proper fit and more stable connection, first insert the Dock Adapter that came with your iPod. The dock allows you to record your vinyl directly to your iPod or to play back music from your iPod through the turntable's audio output. When connected to the dock, you can sync your iPod to your iTunes music library if the iPROFILE is connected to your computer via USB. The iPROFILE is compatible with the following iPod models:

iPod Model	Playback	Record
iPod		
7th generation (Classic)	✓	✓
6th generation (Classic)	✓	✓
5th generation	✓	✓
4th generation	✓	
3rd generation*	✓	
1st and 2nd generation		
iPod Nano		
4th generation (nano-chromatic)	✓	✓
3rd generation	✓	✓
2nd generation	✓	✓
1st generation	✓	
iPod Shuffle		
iPod Mini		
iPod Touch		
2nd generation***	✓	✓
1st generation**	✓	

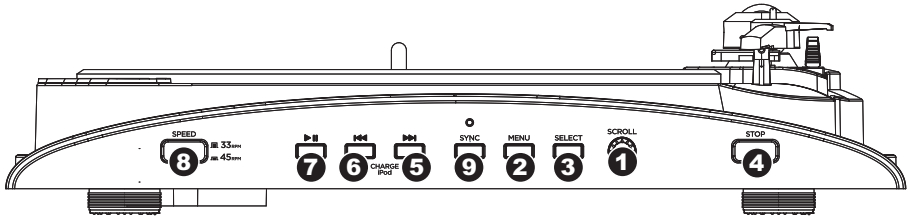
* On the 3rd generation iPod, only the buttons "Play", "Rewind", and "Fast Forward" are supported. Buttons "Select", "Menu", and "Rec Mode" are unsupported.

** On the 1st generation iPod Touch, only music player navigation is supported.

*** On the 2nd generation iPod Touch, you can record with a third-party recording application such as iProRecorder.

Note that your turntable can also charge your iPod while it is docked. When not recording, the turntable will automatically charge your iPod. To ensure the best recording quality and to prevent unwanted noise from entering your recordings, iPod charging will be automatically disabled when you begin recording and re-enabled when you stop recording. We do understand, however, that you may be recording long sessions which require your iPod to remain charged for longer periods of time. While recording, you can turn on iPod charging by pressing |<< and >>| simultaneously. You can turn it off at any time by pressing |<< and >>| again.

FRONT PANEL OVERVIEW



The following controls, 1-7, can be used to browse and navigate menus and features of your iPod directly from the turntable.

1. **Scroll** – This knob acts as the Touchwheel controller on your iPod.
2. **Menu** – This button acts as the 'Menu' button on your iPod.
3. **Select** – This button functions as the 'Select' command on your iPod.
4. **Stop** – Press this button to stop playback.
5. **>>|** – Functions as the '>>|' button on your iPod.
6. **|<<** – Functions as the '|<<' button on your iPod.
7. **>||** – Functions as the '>||' button on your iPod.
8. **33 / 45 RPM Button** – This button controls the RPM of the turntable platter.

Please note that pressing **|<<** and **>>|** simultaneously while recording will enable iPod charging. Press again to disable iPod charging.

9. **Sync** – When your iPod is connected to the dock and when iPROFILE is connected to your computer via USB, hold this button down for two seconds to sync your iPod to your computer's iTunes library. When finished, eject the iPod from the iTunes interface. Only remove the iPod from the dock or disconnect the USB cable after you've safely ejected the iPod from your computer. (**WARNING: Failure to properly eject your iPod can result in loss of data or damage to the player.**) Once your iPod has been safely ejected, you can reconnect the iPod to the turntable by pressing and holding the Sync button again for two seconds or removing the iPod and placing it back in the dock.

RECORDING TO YOUR iPod

Please follow the instructions below to record music directly to your iPod. Note that your iPod will record audio from your turntable, as well as audio coming through the 1/8" Stereo Aux Input.

Note that it is possible to record to your iPod without having any audio connections plugged in. However, we highly recommend connecting the audio outputs (RCA or USB) to a speaker system so you can monitor your recordings.

1. Place your iPod into the dock, making sure that it fits snugly over the connector. Note that depending on your iPod model, you may need to use the Universal Dock Adapter included with your iPod.
2. Place a record on the platter and cue the music you would like to record.
3. Enter Record Mode in your iPod by navigating to **Extras ▶ Voice Memos** from the main menu.
4. Raise the turntable's tonearm with the Raise / Lower Lever and place the needle at the beginning of the song you want to record.
5. When you are ready to start recording, press the **Select** button to begin recording to your iPod.
6. Lower the tonearm with the Raise / Lower Lever to play the song.
7. When you wish to stop recording, stop the turntable.
8. Then, use the **Scroll** knob to select 'Stop and Save' and press **Select**.

When you have finished, you can locate the recording by navigating to **Extras ▶ Voice Memos**. Your recordings will be identified by the date and time that the recording was completed.

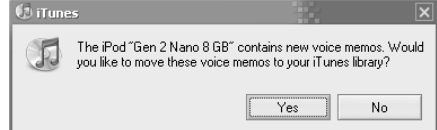
IMPORTANT: Renaming your recordings directly from your iPod is not recommended. If you change the filename, your iPod may no longer be able to access the file. If you would like to rename the recording, you should transfer the file to your computer, rename it and import it back into your iTunes library as an AAC or MP3 file.

SYNCING YOUR iPod THROUGH THE TURNTABLE

Your iPod can be synced to your iTunes right from the turntable. Follow the instructions below to establish the connection.

1. Make sure that your turntable is connected to your computer, using the included USB cable. (Windows users: If this is the first time that you are connecting the turntable, allow your computer to automatically initialize the necessary hardware drivers. Proceed when "Your New Hardware is Installed and Ready To Use" message appears on the bottom corner of your computer screen screen.)
2. Insert your iPod into the dock, then press and hold the Sync button for two seconds. When your iPod connects to your computer, you will see "Do Not Disconnect" displayed on the screen of your iPod. **DO NOT REMOVE YOUR IPOD FROM THE DOCK WHILE "DO NOT DISCONNECT" IS DISPLAYED AND BEFORE PROPERLY EJECTING THE IPOD FROM YOUR COMPUTER! OTHERWISE YOU MAY DAMAGE YOUR IPOD AND DESTROY ITS CONTENTS!**
3. Once your iPod is properly connected to your computer, iTunes should start automatically. (PC users: if you have not yet installed iTunes, you can insert the CD included with the turntable. Follow the on-screen instructions to install the application.)
4. If you have made any new recordings since the last time your iPod was connected to the computer, you will see the following screen:

Select 'Yes' if you would like to move the recordings (referred to as voice memos) to your iTunes library.

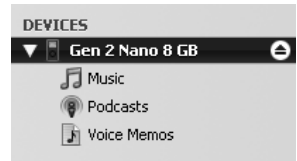


While your iPod is docked and synced to your computer, you can transfer music to and from it, just as if it was connected directly to your computer.

Note that you can even listen to music from your computer through the turntable's RCA audio output!

IMPORTANT: TO SAFELY DISCONNECT YOUR iPod FROM YOUR COMPUTER, EJECT YOUR iPod BY CLICKING ON THE EJECT BUTTON.

NOTE: When you eject your iPod from your computer, you will need to press and hold Sync again for two seconds if you wish to keep using it with the iPROFILE.



TROUBLESHOOTING

Refer to the following troubleshooting scenarios if you experience difficulty recording your vinyl to your iPod or computer.

PROBLEM	CAUSE	SOLUTION
I am not hearing any audio when I am recording.	Needle is not on the record.	Place the needle on the record.
	Turntable not powered.	Make sure that the turntable is connected to a live power outlet and that it is powered on.
	RCA outputs not connected to speaker system.	Make sure you have connected the turntable's RCA outputs to a speaker system and that the speaker system is powered on.
I am experiencing poor sound quality.	Cartridge connection is not secure.	Cartridge must be securely connected to the tonearm whenever you are using the turntable.
	Vinyl record is dirty or scratched.	Try dusting off and gently wiping the surface of the record before playing it.
	iPod is charging while recording.	To ensure maximum audio quality, iPod charging should be turned off while recording. If you have turned this feature on, please disable it by pressing [<< and >>] simultaneously.
When recording vinyl to my computer, the recording sounds loud and distorted.	The turntable volume is too high.	Turn down the volume knob.
When recording vinyl to my computer, the recording is barely audible.	The turntable volume is too low.	Turn up the volume knob.
I cannot hear my recordings when I try to play them from my computer.	Computer audio output not set correctly.	<p>Make sure that your computer's audio playback options are configured in one of the following ways:</p> <ul style="list-style-type: none"> In Windows XP, go to Start ► Control Panel ► Sounds and Audio Devices (on Windows XP) or Start ► Control Panel ► Sound (on Windows Vista) and make sure that your computer's audio card is selected as the Sound Playback device under the Audio tab. Alternatively, you can play audio from your computer through the turntable's RCA audio outputs. Simply select "USB Audio Codec" as the Sound Playback device and any audio from your computer will play through the turntable's RCA outputs.
While the turntable is connected, I cannot listen to any music from my computer.		
When recording into my computer on Windows Vista, my recordings are mono instead of stereo.	Recording input properties in Vista not set to "stereo".	<p>In Vista, you may need to manually specify "stereo" for the recording input.</p> <p>Go to Start ► Control Panel ► Sound (in Classic View). Then, click on the Recording tab and highlight the Microphone input (USB Audio Codec). Click on Properties to bring up the input settings. Next, click on the Advanced tab and select "2 channel, 16 bit, 44100 Hz (CD quality)" in the Default Format pull-down menu. Lastly, click Apply to accept the settings.</p>
I am not able to record to my iPod.	iPod not docked properly.	Make sure that the iPod is properly connected to the dock. We recommend using the Universal Dock Adapter, included with your iPod.
	iPod is synced to your computer.	You will not be able to record to your iPod while it is synced to your computer through the USB connection. Eject the iPod from your computer, then hold the turntable's Sync button for two seconds to connect it again.
	iPod is not in Record Mode (Voice Memo).	Ensure that your iPod is in Record Mode. Navigate to Extras ► Voice Memos in your iPod. Then, press Select on the turntable to begin recording.
The platter is not rotating.	The belt drive has come loose.	Place the tonearm back in its resting position to stop the turntable motor. Then, rotate the platter until you can see the motor spindle in one of the holes. Reach into the hole and pull the rubber drive belt off of the inner ring and install it over the motor spindle. Be careful not to twist the rubber drive belt during this step. Check to make sure the platter rotates uniformly. If the drive belt is properly installed, there should be a slight amount of tension that brings the platter to a stop after spinning it freely.
My music is playing at a strange pitch.	Incorrect speed selected on the turntable.	Make sure that you are playing your records at the speed they were intended to be played. Select between the two different speeds by pressing 33RPM or 45RPM .

BEFORE RETURNING THE PRODUCT, please contact ION Audio or your retailer for technical support. Contact information can be found in the Safety Instruction Booklet included with this product.

GUÍA DE INICIO RÁPIDO

INTRODUCCIÓN

- o **LEA EL FOLLETO DE INSTRUCCIONES DE SEGURIDAD ANTES DE UTILIZAR EL PRODUCTO.**
- o Visite <http://www.ion-audio.com> para registrar el producto.

iPROFILE es un producto revolucionario que le permite grabar música desde discos de vinilo y fuentes de audio externas (por ej. reproductores de cinta, de carrete a carrete, etc.) directamente a su iPod*. Además, el giradiscos USB se conecta directamente a su computadora para convertir sus valiosos vinilos en música digital. Hemos incluido software para ayudarlo a convertir sus grabaciones de vinilo: Tenga en cuenta que no se requiere instalar ningún software a fin de grabar directamente en su iPod. No obstante, debe instalar una de las siguientes aplicaciones para aprovechar la función de grabación de su computadora:

- **EZ Vinyl/Tape Converter** (sólo PC) es la forma más rápida y fácil de convertir las grabaciones en medios digitales. Este software guarda convenientemente sus grabaciones en la biblioteca de iTunes*. Es posible que los usuarios novicios prefieran esta aplicación. En el CD, incluimos una práctica Guía de inicio rápido con instrucciones paso a paso sobre la instalación y la operación del software.
- **EZ Audio Converter** (Mac únicamente) es una aplicación de convertidor básica para Mac OS X, ideal para usuarios novicios. Consulte en la Guía de inicio rápido del software incluida las instrucciones detalladas sobre la instalación y la operación del software.

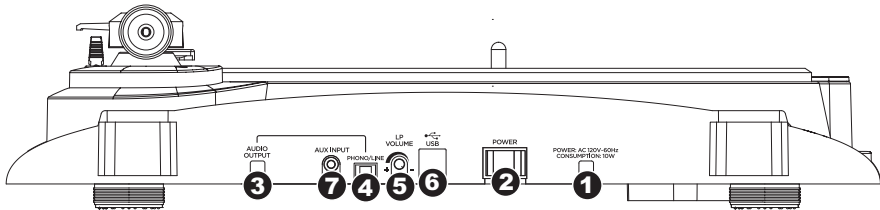
Para instalar el software: inserte simplemente el CD incluido en la computadora y siga las instrucciones de la pantalla. Después de terminar de convertir su vinilo, puede quemarlo en CD o cargarlo en dispositivos de medios portátiles.

* iTunes e iPod son marcas registradas de Apple, Inc., registradas en EE.UU. y otros países.

CONTENIDO DE LA CAJA

- Giradiscos iPROFILE
- Alfombrilla antideslizante
- Adaptador para 45 RPM
- Cable USB
- CD del software
- Guía de inicio rápido
- Información sobre la seguridad y la garantía

CARACTERÍSTICAS DEL PANEL TRASERO



- Cable de alimentación** – Este cable de alimentación se debe enchufar a un tomacorriente en la pared DESPUÉS de que se hagan todas las conexiones de audio.
- Switch de encendido** – Enciende y apaga la unidad.
- Salida de audio (RCA)** – Estos cables se deben enchufar en las entradas de audio de su sistema estéreo hogareño. (Para tener en cuenta: igualmente se pueden copiar discos en su iPod o computadora, incluso si las salidas de audio del giradiscos no están conectadas a un sistema estéreo).
- Conmutador RCA FONOGRAFICO | LINEA** – Selecciona entre PHONO y LINE (Fonográfico y Línea). Use el nivel fonográfico para enchufar en la entrada de giradiscos de un estéreo hogareño. Use el nivel de línea para enchufar a entradas CD/AUX/TAPE.
ADVERTENCIA: Puede dañar el receptor si enchufa un nivel de línea en una entrada fonográfica.
- Volumen** – Esta perilla se puede usar para ajustar el nivel de ganancia de la señal de audio del giradiscos. Si el audio del giradiscos es demasiado bajo o fuerte, úsela para ajustar el nivel de volumen.
- Salida de audio USB** – Use el cable USB incluido para conectar el giradiscos a su computadora. La conexión USB proporciona audio proveniente del plato y entrada auxiliar estéreo de 1/8" estéreo a la computadora. La conexión USB también entrega audio desde la computadora a través de las salidas RCA del giradiscos. Para transferir sus discos de vinilo a la computadora, proporcionamos dos paquetes de software diferentes en el CD incluido. EZ Vinyl/Tape Converter (PC) y EZ Audio Converter (Mac) representan la manera más rápida y sencilla para transferir sus discos de vinilo y los principiantes deben usarlos.
- Entrada auxiliar estéreo de 1/8"** – Puede conectar aquí reproductores de casetes y cintas o cualquier otra fuente de audio. Esta señal se envía a la computadora por el USB. **Asegúrese de que su cápsula fonográfica esté instalada cuando usa esta entrada, para lograr la máxima calidad de sonido.** Asegúrese también de que sus jacks RCA de salida de audio estén enchufados a un dispositivo de entrada o que no estén en contacto con partes metálicas.

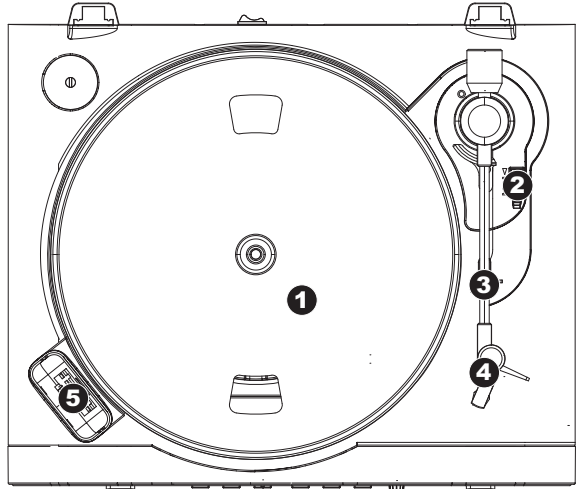
CARACTERÍSTICAS DEL PANEL SUPERIOR

- Plato** – Ponga aquí el disco que desea reproducir. (**IMPORTANTE:** Asegúrese de que la alfombrilla esté siempre colocada sobre el plato cuando se usa el giradiscos. Si no se usa la alfombrilla, puede dañarse el medio, así como el giradiscos.).
- Palanca de Subir / Bajar** – Levanta y baja el brazo de lectura.
- Clip del brazo** – Este clip diseñado especialmente fija el brazo mientras está en reposo o no se usa. El clip ha sido diseñado para que permanezca hacia arriba mientras está desbloqueado.

Nota: Cuando se transporta el giradiscos, recomendamos colocar la cubierta plástica sobre la cápsula para evitar daños a la aguja.

- Estación de acoplamiento** – Conecte su iPod a esta estación de acoplamiento. Asegúrese de que el iPod se ajuste en forma ceñida en el conector de la estación, ¡pero no lo fuerce! Para lograr un ajuste correcto y una conexión más estable,

inserte primero el adaptador de la estación de acoplamiento que viene con el iPod. La estación de acoplamiento permite grabar su vinilo directamente en el iPod o reproducir la música desde este último a través de la salida de audio del giradiscos. Cuando está conectado a la estación de acoplamiento, usted puede sincronizar el iPod a la biblioteca musical iTunes si el iPROFILE está conectado a la computadora por USB. iPROFILE es compatible con los siguientes modelos de iPod:



Modelo del iPod	Reproducción	Grabación
iPod		
7ma generación (Classic)	✓	✓
6ta generación (Classic)	✓	✓
5ta generación	✓	✓
4ta generación	✓	
3ra generación*	✓	
1ra y 2da generación		
iPod Nano		
4ta generación (nano-chromatic)	✓	✓
3ra generación	✓	✓
2da generación	✓	✓
1ra generación	✓	
iPod Shuffle		
iPod Mini		
iPod Touch		
2da generación***	✓	✓
1ra generación**	✓	

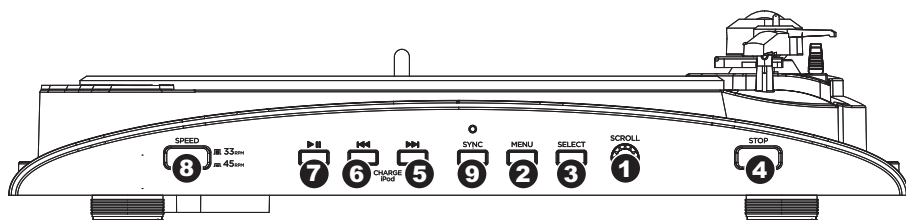
* En el iPod de 3ra generación, sólo se soportan los botones "Play", "Rewind" y "Fast Forward". No se soportan los botones "Select", "Menu" y "Rec Mode".

** En iPod Touch de 1ra generación, sólo se soporta la navegación de reproductores de música.

*** En el iPod Touch de 2da. generación, usted puede grabar con una aplicación de grabación de terceros, tal como iProRecorder.

Tenga en cuenta que el giradiscos puede cargar también su iPod cuando está en la estación de acoplamiento. Cuando no está grabando, el giradiscos cargará automáticamente su iPod. Para asegurar la mejor calidad de grabación y evitar que entre ruido indeseable a las grabaciones, la carga del iPod se desactiva automáticamente tan pronto usted comienza a grabar y se vuelve a activar cuando termina. Entendemos, sin embargo, que usted puede grabar sesiones largas que requieren que el iPod permanezca cargado durante períodos más prolongados. Mientras graba, puede activar la carga del iPod pulsando << y >> simultáneamente. Puede desactivarla en cualquier momento pulsando << y >> nuevamente.

CARACTERÍSTICAS DEL PANEL FRONTAL



Se pueden usar los siguientes controles 1-7 para examinar y navegar los menús y las características del iPod directamente desde el giradiscos.

- Desplazamiento** – Esta perilla actúa como controlador de rueda táctil en el iPod.
- Menú** – Este botón actúa como botón de 'Menú' del iPod.
- Seleccionar** – Este botón funciona como el comando 'Seleccionar' del iPod.
- Parar** – Pulse este botón para detener la reproducción.
- >>|** – funciona como el botón '>>|' del iPod.
- |<<** – funciona como el botón '|<<' del iPod.
- >||** – funciona como el botón '>||' del iPod.
- Botón de 33 y 45 RPM** – Este botón controla las RPM del giradiscos.
- Sincronismo** – Cuando el iPod está conectado a la estación de acoplamiento e iPROFILE a la computadora por USB, mantenga pulsado este botón por dos segundos para sincronizar el iPod con la biblioteca iTunes de la computadora. Cuando termine, expulse el iPod de la interfaz de iTunes. Sólo retire el iPod de la estación de acoplamiento o desconecte el cable USB después de que haya expulsado con seguridad el iPod de la computadora. **(ADVERTENCIA: Si el iPod no se expulsa correctamente, pueden perderse datos o dañarse el reproductor.)** Una vez expulsado el iPod con seguridad, puede reconectarlo al giradiscos pulsando y manteniendo pulsado nuevamente el botón Sync por dos segundos o retirando el iPod y colocándolo de nuevo en la estación de acoplamiento.

Nota: Tenga en cuenta que pulsando << y >>| simultáneamente durante la grabación se activa la carga del iPod. Púlselos nuevamente para desactivarla.

CÓMO GRABAR EN EL iPod

Para grabar música directamente en el iPod, siga las instrucciones que se indican a continuación. Tenga en cuenta que el iPod graba música de su giradiscos, así como el audio proveniente de la entrada auxiliar estéreo de 1/8".

Observe también que es posible grabar en el iPod sin tener ninguna conexión de audio enchufada. No obstante, recomendamos especialmente conectar las salidas de audio (RCA o USB) a un sistema de altavoces para poder monitorear sus grabaciones.

- Coloque el iPod en la estación de acoplamiento, asegurándose de que se ajuste en forma ceñida en el conector. Tenga en cuenta que según el modelo de su iPod, puede ser necesario usar el adaptador de acoplamiento universal incluido con el mismo.
- Coloque un disco en el plato y busque la música que desea grabar.
- Entre al modo de grabación del iPod navegando a **Extras ► Voice Memos** (Memorandos de voz) desde el menú principal.
- Levante el brazo del giradiscos con la palanca de subir/bajar y coloque la aguja al comienzo del tema que desea grabar.
- Cuando esté listo para empezar a grabar, pulse el botón **Select** para comenzar la grabación en el iPod.
- Baje el brazo con la palanca de subir/bajar para reproducir dicho tema.
- Cuando desee detener la grabación, simplemente detenga el giradiscos.
- Luego use la perilla **Scroll** para seleccionar 'Stop and Save' (Parar y guardar) y pulse **Select**.

Cuando termine, puede localizar la grabación navegando a **Extras ► Voice Memos**. Sus grabaciones se identifican por la fecha y hora en que se realizaron.

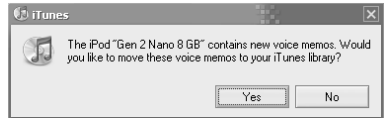
IMPORTANTE: No se recomienda cambiar de nombre sus grabaciones directamente desde el iPod. Si cambia el nombre de archivo, es posible que el iPod no pueda acceder al mismo. Si desea cambiar el nombre de la grabación, debe transferir el archivo a la computadora, cambiarle el nombre e importarlo nuevamente a su biblioteca de iTunes como archivo AAC o MP3.

CÓMO SINCRONIZAR EL iPod A TRAVÉS DEL GIRADISCOS

Su iPod se puede sincronizar a iTunes directamente desde el giradiscos. Para establecer a continuación, siga las instrucciones que se indican a continuación.

1. Asegúrese de que el giradiscos esté conectado a la computadora mediante el cable USB incluido. (Usuarios de Windows: Si es la primera vez que conecta el giradiscos, deje que la computadora inicialice automáticamente los drivers de hardware necesarios. Continúe cuando aparezca el mensaje "Your New Hardware is Installed and Ready To Use" (Su nuevo hardware está instalado y listo para usar) en la esquina inferior de la pantalla de la computadora).
2. Inserte el iPod en la estación de acoplamiento y pulse y retenga el botón Sync por dos segundos. Cuando se conecte el iPod a la computadora, aparecerá "Do Not Disconnect" (no desconectar) en la pantalla del iPod. **¡NO RETIRE EL iPod DE LA ESTACIÓN DE ACOPLAMIENTO MIENTRAS APARECE "DO NOT DISCONNECT" NI ANTES DE EXPULSAR CORRECTAMENTE EL iPod DE LA COMPUTADORA. DE LO CONTRARIO, PUEDE DAÑAR EL iPod Y DESTRUIR SU CONTENIDO!**
3. Una vez que el iPod esté correctamente conectado a la computadora, iTunes debe iniciarse automáticamente. (Usuarios de PC: si aún no instaló iTunes, puede insertar el CD incluido con el giradiscos. Siga las instrucciones de la pantalla para instalar la aplicación).
4. Si hizo alguna grabación nueva desde la última vez que conectó el iPod a la computadora, verá la siguiente pantalla:

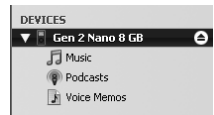
Seleccione 'Yes' (Sí) si desea transferir sus grabaciones (denominadas "voice memos") a su biblioteca de iTunes.



Mientras el iPod está acoplado y sincronizado con la computadora, puede transferir música hacia y desde el mismo, tal como si estuviera conectado directamente a ella.

¡Tenga en cuenta que incluso puede escuchar música desde su computadora a través de la salida de audio RCA del giradiscos!

IMPORTANTE: PARA DESCONECTAR EN FORMA SEGURA EL iPod DE LA COMPUTADORA, EXPÚLSELO HACIENDO CLIC EN EL BOTÓN EJECT (EXPULSAR)..



NOTA: Cuando expulse el iPod de la computadora, debe pulsar y retener el botón Sync nuevamente por dos segundos si desea seguir usándolo con iPROFILE.

SOLUCIÓN DE PROBLEMAS

Si experimenta dificultades al grabar sus vinilos en su iPod o computadora, consulte los siguientes escenarios de solución de problemas.

PROBLEMA	CAUSA	SOLUCIÓN
No oigo ningún audio mientras grabo.	La púa no está sobre el disco.	Coloque la púa sobre el disco.
	El giradiscos no está encendido.	Asegúrese de que el giradiscos esté conectado a un tomacorriente alimentado y que esté encendido.
	Las salidas RCA no están conectadas al sistema de altavoces.	Asegúrese de haber conectado las salidas RCA del giradiscos a un sistema de altavoces y que dicho sistema esté encendido.
Experimento un sonido de baja calidad.	La conexión de la cápsula no es firme.	La cápsula debe estar conectada firmemente al brazo toda vez que use el giradiscos.
	El disco de vinilo está sucio o rayado.	Pruebe desempolvando y limpiando suavemente la superficie del disco antes de reproducirlo.
	El iPod se carga mientras grabo.	Para asegurar máxima calidad de grabación, se debe desactivar la carga del iPod mientras se graba. Si activó esta característica, desactívela pulsando < < > > simultáneamente.
Cuando grabo el vinilo en la computadora, la grabación suena con alto volumen y distorsionada.	El control de volumen del giradiscos está demasiado alto.	Gire la perilla volumen para disminuir la ganancia.
Cuando grabo el vinilo en la computadora, la grabación es apenas audible.	El control de volumen del giradiscos está demasiado bajo.	Gire la perilla volumen para aumentar la ganancia.
No puedo oír mis grabaciones cuando trato de reproducirlas desde la computadora.	Salida de audio de la computadora configurada incorrectamente.	Asegúrese de que las opciones de reproducción de audio de la computadora estén configuradas en una de las siguientes maneras: <ul style="list-style-type: none"> En Windows, vaya a Start ► Control Panel ► Sounds and Audio Devices (Inicio > Panel de Control > Dispositivos de sonido y audio) (en Windows XP) o Start ► Control Panel ► Sound (Inicio > Panel de control > Sonido) (en Windows Vista) y asegúrese de que la tarjeta de sonido de la computadora esté seleccionada como dispositivo de reproducción bajo la pestaña Audio. Como alternativa, puede reproducir el audio desde la computadora a través de las salidas de audio RCA del giradiscos. Simplemente, seleccione "USB Audio Codec" como dispositivo de Sound Playback (Reproducción de audio) la salida de audio de la computadora se reproducirá a través de las salidas RCA del giradiscos.
Mientras el giradiscos está conectado, no puedo escuchar ninguna música desde mi computadora.		En Vista, es posible que sea necesario especificar manualmente "stereo" para la entrada de grabación. Vaya a Start ► Control Panel ► Sound (Inicio > Panel de Control > Sonido) (en la vista clásica). Luego, haga clic en la pestaña Recording (Grabación) y resalte la entrada Microphone (USB Audio Codec). Haga clic en Properties (Propiedades) para activar la configuración de la entrada. Luego, haga clic en la pestaña Advanced (Avanzadas) y seleccione "2 channel, 16 bit, 44100 Hz (CD quality)" (2 canales, 16 bits, 44100 Hz (calidad de CD)) en el menú desplegable Default Format (Formato por defecto). Finalmente, haga clic en Apply (Aplicar) para aceptar los valores de configuración.
Cuando grabo en la computadora bajo Windows Vista, mis grabaciones son mono en lugar de estéreo.	Propiedades de entrada de grabación en Vista no configuradas a "stereo" (estéreo).	
No puedo grabar en el iPod	El iPod no está acoplado correctamente.	Asegúrese de que el iPod esté conectado correctamente a la estación de acoplamiento. Recomendamos usar el adaptador universal de la estación de acoplamiento incluido con el iPod.
	El iPod está sincronizado a la computadora.	No se puede grabar en el iPod mientras éste esté sincronizado a la computadora a través de la conexión USB. Expulse el iPod de la computadora y mantenga pulsado el botón Sync del giradiscos por dos segundos para conectarlo nuevamente.
	El iPod no está en modo de grabación (Voice Memo).	Asegúrese de que el iPod esté en modo de grabación. Navegue a Extras ► Voice Memos en el iPod. Luego, pulse Select (Seleccionar) en el giradiscos para comenzar a grabar.
El plato no gira.	Se aflojó la correa de transmisión.	Coloque el brazo nuevamente en su posición de reposo para detener el motor del giradiscos. Luego, gire el plato hasta que pueda ver el eje del motor en uno de los orificios. Meta la mano en este agujero y tire de la correa de transmisión de goma del anillo interior, e instálela sobre el eje del motor. Tenga cuidado de no doblar la correa de transmisión de goma durante este paso. Verifique que el plato gire de modo uniforme. Si la correa de transmisión está bien instalada, debe haber un poco de tensión que detiene el plato después de girar libremente
La música se reproduce con un pitch extraño.	Velocidad incorrecta seleccionada en el giradiscos.	Asegúrese de que esté reproduciendo sus discos a la velocidad a la que están previstos. Seleccione entre las dos velocidades diferentes pulsando 33RPM o 45RPM .

ANTES DE DEVOLVER EL PRODUCTO, comuníquese con Ion Audio o con su vendedor minorista para solicitar soporte técnico. La información de contacto se encuentra en el folleto de instrucciones de seguridad incluido con este producto.

GUIDE D'UTILISATION RAPIDE

INTRODUCTION

- o **VEUILLEZ LIRE LE LIVRET DES CONSIGNES DE SÉCURITÉ AVANT D'UTILISER LE PRODUIT.**
- o Allez à <http://www.ion-audio.com> pour enregistrer le produit.

Le iPROFILE est un produit révolutionnaire vous permettant d'enregistrer la musique provenant de disques vinyles et de sources audio externes, telles que lecteurs de cassettes, magnétophones à bobines, etc., sur votre iPod*. De plus, le tourne-disque USB se branche directement à un ordinateur afin de transférer vos précieux vinyles au numérique. Des logiciels sont inclus afin de vous aider à faire la conversion des enregistrements de vos disques de vinyle : veuillez noter qu'il n'est pas nécessaire d'installer aucun logiciel pour enregistrer directement à votre iPod*. Cependant, vous devez installer une des applications suivantes afin d'enregistrer sur ordinateur :

CONTENU DE LA BOÎTE

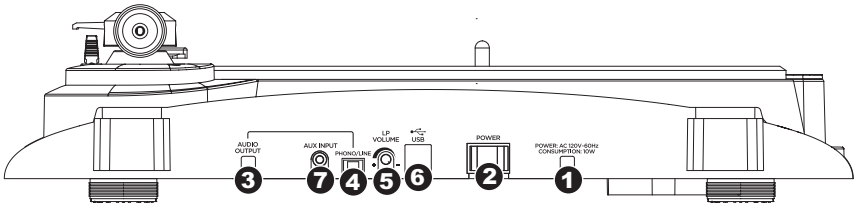
- Tourne-disque iPROFILE
- Tapis
- Adaptateur 45 t/min
- Câble USB
- CD de logiciel
- Guide d'utilisation rapide
- Consignes de sécurité et information concernant la garantie

- Le **EZ Vinyl/Tape Converter**** (pour PC seulement) est la façon la plus rapide et la plus simple de convertir vos enregistrements au média numérique. Le EZ Vinyl/Tape Converter permet de sauvegarder vos enregistrements dans votre bibliothèque iTunes*. L'utilisateur débutant préférera peut-être cette application pour sa simplicité d'utilisation. Sur le CD, nous avons inclus un guide d'utilisation simplifié avec des instructions détaillées sur l'installation et le fonctionnement du logiciel.
- Le **EZ Audio Converter** (pour Mac seulement) est un logiciel de conversion pour Mac OS X idéal pour l'utilisateur débutant. Veuillez consulter le guide de démarrage rapide du logiciel pour les instructions étape par étape sur l'installation et l'utilisation.

Installation du logiciel : Insérez simplement le CD dans le lecteur de votre ordinateur et suivez les instructions à l'écran. Lorsque vous avez terminé la conversion du vinyle, vous le pouvez graver sur un CD ou le télécharger sur des lecteurs multimédia portables.

* @iTunes et iPod sont des marques de commerce enregistrées de Apple, Inc., enregistrées aux États-Unis et dans d'autres pays.

CARACTÉRISTIQUE DU PANNEAU ARRIÈRE



1. **Câble d'alimentation** – Ce câble d'alimentation doit être branché dans la prise murale APRÈS avoir effectué tous les autres branchements.
2. **Bouton d'alimentation** – Met l'appareil sous et hors tension.
3. **Sortie audio (RCA)** – Ces câbles doivent être branchés dans les entrées audio de votre système stéréo. (Remarque : vous pouvez copier des albums sur votre ordinateur même si les sorties audio du tourne-disque ne sont pas branchées à un système stéréo.
4. **Commutateur RCA PHONO | RCA LINE** – Sélectionne entre une entrée phono ou ligne pour la sortie audio. Utiliser l'entrée PHONO pour brancher un tourne-disque à une chaîne stéréo. Utiliser l'entrée PHONO pour brancher à des entrées pour lecteur de disques compacts, auxiliaires et cassette.
MISE EN GARDE : Vous pourriez endommager votre récepteur si vous branchez un câble niveau ligne dans une entrée phono.
5. **Volume** – Permet d'ajuster les niveaux du signal audio du tourne-disque. Si l'audio provenant du tourne-disque est trop faible ou trop fort, utilisez ce bouton pour régler le volume.
6. **Sortie audio USB** – Branchez le tourne-disque à votre ordinateur en utilisant le câble USB fourni. La connexion USB permet d'acheminer un signal audio du plateau et de l'entrée auxiliaire stéréo à l'ordinateur. La connexion USB permet également la transmission de l'audio depuis votre ordinateur aux sorties RCA du tourne-disque. Pour transférer vos disques vinyle sur votre ordinateur, nous vous avons fourni deux progiciels différents sur le CD. Les logiciels EZ Vinyl/Tape Converter (PC) et EZ Audio Converter (Mac) sont la façon la plus simple et la plus rapide de transférer des disques de vinyle sur ordinateur et nous vous recommandons de les utiliser si vous êtes un utilisateur débutant.
7. **Entrée auxiliaire stéréo de 1/8 po** – Il est possible de brancher un lecteur de cassettes, un magnétophone à bobines ou toute autre source audio à cette prise. Le signal est acheminé à l'ordinateur par le câble USB. **Pour une qualité sonore optimale, assurez-vous que la cartouche phono est bien installée.** Assurez-vous également que les câbles RCA de sortie audio sont branchés dans un appareil source, ou qu'ils ne sont pas en contact avec du métal.

CARACTÉRISTIQUE DU PANNEAU SUPÉRIEUR

1. **Plateau** – Placez le disque que vous désirez faire jouer ici. Assurez-vous que le tapis est toujours placé sur le plateau lors de l'utilisation du tourne-disque. À défaut de respecter cette condition, vous pourriez endommager le support ainsi que le tourne-disque. Assurez-vous de retirer le protège-cartouche en plastique (protège-aiguille) avant de faire fonctionner le tourne-disque.

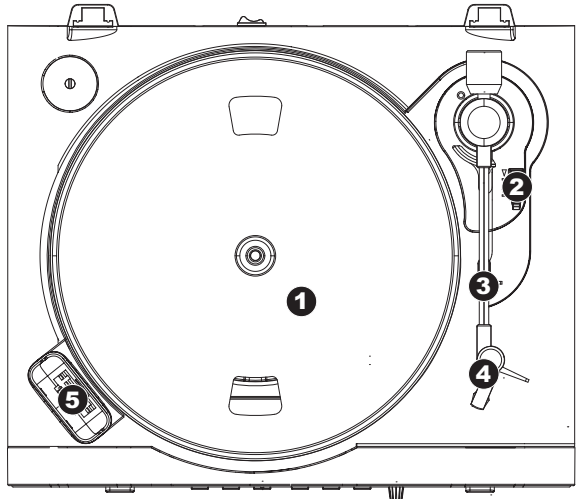
2. **LEVIER** – Permet de lever ou abaisser le bras de lecture.

3. **Serre-bras** : Le serre-bras est conçu spécialement pour maintenir le bras de lecture en place. Le serre-bras est conçu pour demeurer en position élevée lorsqu'il n'est pas verrouillé.

REMARQUE : Lors du transport de la table tournant, nous vous recommandons de mettre le couvercle de protection sur la cartouche afin de protéger l'aiguille.

4. **Cartouche et coquille** – La cartouche est préinstallée sur une coquille standard. La cartouche peut être remplacée et est compatible avec les différentes cartouches standards. Assurez-vous de bien retirer le plastique transparent avant de faire fonctionner le tourne-disque à partir de la cartouche.

5. **Socle** – Ce socle permet de brancher un iPod. Assurez-vous que l'iPod est bien ajusté sur le connecteur, mais ne le forcez surtout pas. Pour un meilleur ajustement et une connexion plus stable, insérez l'adaptateur de socle fourni avec l'iPod. Le socle permet d'enregistrer vos vinyles directement sur l'iPod ou de retransmettre le signal audio provenant de l'iPod à la sortie audio du tourne-disque. Vous pouvez synchroniser votre iPod avec votre bibliothèque iTunes lorsqu'il est sur le socle et que le iPROFILE est branché à votre ordinateur via USB. Le iPROFILE est compatible avec les modèles iPod suivants :

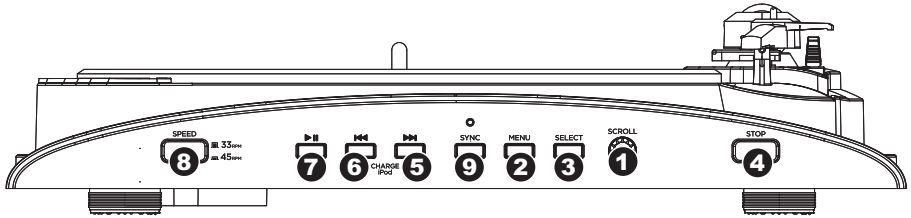


Modèle d'iPod	Lecture	Enregistrement
iPod		
7 ^e génération (Classic)	✓	✓
6 ^e génération (Classic)	✓	✓
5 ^e génération	✓	✓
4 ^e génération	✓	
3 ^e génération*	✓	
1 ^{re} et 2 ^e génération		
iPod Nano		
4 ^e génération (nano-chromatic)	✓	✓
3 ^e génération	✓	✓
2 ^e génération	✓	✓
1 ^{re} génération	✓	
iPod Shuffle		
iPod Mini		
iPod Touch		
2 ^e génération***	✓	✓
1 ^{re} génération**	✓	

* Sur les iPods de 3^e génération, uniquement les touches de lecture, de retour et d'avance rapide sont prises en charge. Les touches de sélection, menu et d'enregistrement ne sont pas prises en charge.
 ** Seule la navigation du lecteur de musique est prise en charge par l'iPod Touch de 1^{re} génération.
 *** Le iPod Touche de 2^e génération permet l'enregistrement à l'aide d'applications d'enregistrement tierces, telles que iProRecorder.

De plus, le tourne-disque peut également recharger votre iPod lorsqu'il est sur le socle. Lorsque le tourne-disque n'est pas en mode d'enregistrement, il recharge automatiquement votre iPod. Afin d'assurer une meilleure qualité d'enregistrement et de prévenir l'infiltration de bruits indésirables sur vos enregistrements, la fonction de rechargement de la pile est désactivée dès que l'enregistrement débute et réactivée lorsqu'elle cesse. Nous comprenons qu'il puisse arriver que vos sessions d'enregistrement soient longues et que votre iPod doit demeurer chargé plus longtemps. Durant l'enregistrement il est possible d'activer la fonction de recharge en appuyant simultanément sur les touches << et >>. Il est possible de la désactiver en tout temps en appuyant de nouveau sur les touches << et >>.

CARACTÉRISTIQUE DU PANNEAU AVANT



Les commandes suivantes 1-7 peuvent être utilisées pour parcourir les menus et les fonctions de votre iPod directement à partir du tourne-disque.

1. **Scroll** – Fonctionne de la même manière que la molette cliquable de votre iPod.
2. **Menu** – Fonctionne de la même manière que la touche « Menu » de votre iPod.
3. **Select** – Fonctionne de la même manière que la touche « Select » de votre iPod.
4. **Stop** – Ce bouton permet de faire un arrêt de lecture.
5. **>>|** – Fonctionne de la même manière que la touche >>| de votre iPod.
6. **|<<** – Fonctionne de la même manière que la touche |<< de votre iPod.
7. **>||** – Fonctionne de la même manière que la touche >|| de votre iPod.
8. **Sélecteurs de vitesses de lecture 33/45 (t/min)** – Ces touches modifient le nombre de tours/minute du plateau du tourne-disque.
9. **Sync** – Vous pouvez synchroniser votre iPod avec votre bibliothèque iTunes lorsqu'il est sur le socle et que le iPROFILE est branché à votre ordinateur via USB, en appuyant sur cette touche pendant deux secondes. Lorsque vous avez terminé, éjectez l'iPod de l'interface iTunes. Assurez-vous d'avoir éjecté de manière sécuritaire votre iPod de votre ordinateur avant de le retirer du socle ou de débrancher le câble USB. **(MISE EN GARDE : Si l'iPod n'est pas éjecté de manière sécuritaire, cela pourrait l'endommager ou détruire son contenu.)** Une fois l'iPod éjecté de manière sécuritaire, vous pouvez le reconnecter au tourne-disque en maintenant la touche Sync enfoncée pendant deux secondes ou en le replaçant sur le socle.

Note: Veuillez noter qu'appuyer simultanément sur les touches |<< et >>| permettent d'activer la fonction de rechargement de la pile du iPod. Appuyez de nouveau pour désactiver la fonction de rechargement de la pile du iPod.

ENREGISTREMENT SUR iPod

Veillez suivre les consignes ci-dessus pour enregistrer votre musique directement sur votre iPod. Veillez noter que le iPod enregistre le signal audio du tourne-disque, ainsi que le signal audio provenant de l'entrée auxiliaire stéréo de 1/8 po.

Notez qu'il est possible d'enregistrer sur l'iPod sans avoir aucune connexion audio branchée au tourne-disque. Cependant, nous vous recommandons de brancher les sorties audio (RCA ou USB) à un système de sonorisation afin que vous puissiez contrôler l'audio lors d'enregistrements.

1. Placez l'iPod dans le socle en vous assurant qu'il est bien ajusté sur le connecteur. Selon le modèle de iPod, il se peut que vous deviez utiliser l'adaptateur universel pour socle fourni avec l'iPod.
2. Placez un disque sur le plateau et placez l'aiguille sur la musique que vous désirez enregistrer.
3. À partir du menu principal, allez à **Extras ► Mémos vocaux** afin d'activer le mode d'enregistrement du iPod.
4. Soulevez le bras de lecture à l'aide du levier et placez l'aiguille au début de la piste désirée.
5. Lorsque vous êtes prêt à enregistrer, appuyez sur la touche **Select** pour lancer l'enregistrement sur votre iPod.
6. À l'aide du levier, baissez le bras de lecture afin de faire jouer la piste.
7. Lorsque vous désirez arrêter l'enregistrement, arrêtez le tourne-disque.
8. Utilisez ensuite le bouton **Scroll** pour sélectionner « Stop and Save » et appuyez sur **Select**.

Lorsque vous avez terminé, vous pouvez trouver l'enregistrement en parcourant le menu **Extras ► Voice Memos**. Vos enregistrements seront identifiés par la date et l'heure auxquelles l'enregistrement fut terminé.

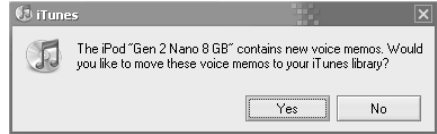
IMPORTANT : Renommer les enregistrements à partir du iPod n'est pas recommandé. Si vous modifiez le nom du fichier, il se peut que l'iPod ne puisse plus accéder au fichier. Si vous désirez renommer le fichier de votre enregistrement, transférez-le sur votre ordinateur, renommez-le, puis téléchargez-le dans votre bibliothèque iTunes comme fichier AAC ou MP3.

SYNCHRONISATION DU iPod PAR LE BIAIS DU TOURNE-DISQUE

Il est possible de synchroniser votre iPod à iTunes à partir du tourne-disque. Suivez les consignes ci-dessous afin d'établir la connexion.

1. Assurez-vous que le tourne-disque est branché à votre ordinateur à l'aide du câble USB inclus. (Utilisateurs Windows : Si c'est la première fois que vous branchez le tourne-disque, veuillez permettre à votre ordinateur le temps nécessaire pour initialiser automatiquement les pilotes. Lorsque le message « Votre nouveau matériel est installé et prêt à l'emploi » apparaît dans le coin gauche de l'écran de votre ordinateur, vous pouvez procéder.)
2. Remplacez l'iPod sur le socle, puis enfoncez la touche Sync pendant deux secondes. Lorsque l'iPod se connecte à votre ordinateur, « Ne pas débrancher » s'affiche sur l'écran de l'iPod. **NE PAS DÉBRANCHER L'iPOD DU SOCLE LORSQUE « NE PAS DÉBRANCHER » S'AFFICHE ET SANS AVOIR ÉJECTER CORRECTEMENT L'iPOD DE L'ORDINATEUR. AUTREMENT VOUS POURRIEZ ENDOMMAGER L'iPOD ET SES DONNÉES!**
3. Lorsque l'iPod est correctement branché à l'ordinateur, iTunes s'ouvre automatiquement. (Utilisateurs PC : si vous n'avez pas installé iTunes, vous pouvez insérer le CD inclus avec le tourne-disque. Suivez les consignes à l'écran pour installer l'application.)
4. Si vous avez fait de nouveaux enregistrements depuis que vous avez branché votre iPod à l'ordinateur, l'écran suivant devrait s'afficher :

Sélectionnez « Oui » si vous désirez déplacer les enregistrements (voice memos) à votre bibliothèque iTunes.

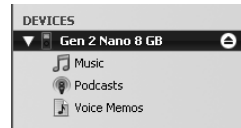


Alors que l'iPod est sur le socle et synchronisé à votre ordinateur, vous pouvez transférer de la musique depuis ou vers votre ordinateur comme si l'iPod y était directement branché.

Notez que vous pouvez également écouter de la musique depuis votre ordinateur par le biais des sorties RCA du tourne-disque.

IMPORTANT : AFIN DE DÉBRANCHER VOTRE iPod DE L'ORDINATEUR DE MANIÈRE SÉCURITAIRE, ÉJECTEZ-LE EN CLIQUANT SUR LA TOUCHE D'ÉJECTION.

REMARQUE : Lorsque vous éjecterez l'iPod de votre ordinateur, vous devrez de nouveau enfoncez la touche Sync pendant deux secondes si vous désirez continuer à utiliser le iPROFILE.



DÉPANNAGE

Veillez consulter les scénarios suivants si vous avez des problèmes lors de l'enregistrement de vos vinyles.

PROBLÈME	CAUSE	SOLUTION
Je n'entends pas de signal audio lors de l'enregistrement.	L'aiguille n'est pas déposée sur le vinyle.	Déposez l'aiguille sur le vinyle.
	La table tournante n'est pas branchée.	Assurez-vous que le tourne-disque est branché à prise d'alimentation et qu'il est sous tension.
	Les sorties RCA ne sont pas branchées à un système de sonorisation.	Assurez-vous que les sorties RCA du tourne-disque sont branchées à un système de sonorisation et que ce dernier est sous tension.
Le son est de mauvaise qualité.	La cartouche n'est pas fixée correctement.	La cartouche doit être fixée correctement au bras de lecture.
	Le vinyle est peut-être sale ou égratigné.	Essayez de retirer toute poussière ou marque de doigts en l'essuyant avant de le remettre sur la table tournante.
	La pile de l'iPod se recharge durant l'enregistrement.	Afin d'assurer une qualité audio optimale, la fonction de rechargement de la pile doit être désactivée. Si vous aviez activé la fonction de rechargement de la pile, veuillez la désactiver en appuyant simultanément sur les touches << et >>].
Lors de l'enregistrement du vinyle sur mon ordinateur, l'audio est fort et déformé.	Le niveau de volume de la table tournante est trop élevé.	Diminuez le niveau de volume à l'aide du bouton de volume.
Lors de l'enregistrement du vinyle sur mon ordinateur, l'audio est à peine perceptible.	Le niveau de volume de la table tournante est trop faible.	Augmentez le niveau de volume à l'aide du bouton de volume.
Je n'entends pas mes enregistrements lorsque je les fais jouer sur mon ordinateur.	La sortie audio n'est de l'ordinateur n'est pas réglé correctement.	Assurez-vous que les options de lecture audio de votre ordinateur sont configurées selon une des façons suivantes : <ul style="list-style-type: none"> ■ Dans Windows, allez à Démarrer ► Panneau de configuration ► Sons et périphériques audio (Windows XP) ou Démarrer ► Panneau de configuration ► Sons (Windows Vista) et assurez-vous que la carte de son de votre ordinateur est sélectionnée comme appareil de lecture par défaut sous l'onglet Audio. ■ Notez que vous pouvez également écouter de la musique depuis votre ordinateur par le biais des sorties RCA du tourne-disque. Sélectionnez simplement « USB Audio Codec » comme appareil de lecture audio et l'audio depuis votre ordinateur sera acheminé aux sorties RCA du tourne-disque.
Lorsque le tourne-disque est branché, je n'entends son provenant de mon ordinateur.		Dans Vista, il se peut que vous deviez régler manuellement l'entrée d'enregistrement à « stéréo ». <p>Allez à Démarrer ► Panneau de configuration ► Son (mode de visualisation classique). Cliquez ensuite sur l'onglet Enregistrement et mettez l'entrée Microphone en surbrillance (USB Audio Codec). Cliquez sur Propriétés pour voir les paramètres d'entrée. Cliquez ensuite sur l'onglet Avancé et sélectionnez « 2 canaux, 16 bits, 44100 Hz (qualité CD) » dans le menu déroulant Format par défaut. Puis, cliquez sur Appliquez pour confirmer les réglages.</p>
Je ne parviens pas à enregistrer sur mon iPod.	L'iPod est mal branché.	Assurez-vous que l'iPod est bien ajusté sur le connecteur du socle. Nous vous recommandons d'utiliser l'adaptateur de socle universel fourni avec votre iPod.
	L'iPod est synchronisé à l'ordinateur.	Vous ne pourrez enregistrer sur votre iPod lorsqu'il est synchronisé à l'ordinateur via une connexion USB. Éjectez l'iPod de votre ordinateur, puis enfoncez la touche Sync du tourne-disque pendant deux secondes afin d'établir à nouveau la connexion avec l'iPod.
	L'iPod n'est pas en Record Mode (Voice Memo).	Assurez-vous que l'iPod est en Record Mode. Accédez au menu Extras ► Mémos vocaux de votre iPod. Appuyez ensuite sur la touche Select du tourne-disque pour lancer l'enregistrement.
Le plateau ne tourne pas.	La courroie d'entraînement s'est désengagée.	Remplacez le bras de lecture sur le support afin d'arrêter le moteur. Tournez ensuite le plateau jusqu'à ce que vous aperceviez l'axe du moteur à travers un des trous. Attrapez la courroie en caoutchouc à travers le trou et retirez-le de l'anneau intérieur inférieur et installez-le sur l'axe du moteur. Faites attention de ne pas torsader la courroie lors de cette étape. Assurez-vous que le plateau tourne uniformément. Si la courroie est correctement installée, il devrait y avoir une légère tension qui arrête le plateau après l'avoir fait tourner manuellement.
La musique joue à une vitesse étrange.	La vitesse sélectionnée sur le tourne-disque est incorrecte.	Assurez-vous de faire jouer les disques à la vitesse appropriée. Sélectionnez la vitesse appropriée, soit 33RPM ou 45RPM .

AVANT DE RETOURNER CE PRODUIT, veuillez contacter Ion Audio ou votre détaillant pour du soutien technique. Toutes les coordonnées se trouvent dans le livret des consignes de sécurité inclus avec de produit.

KURZANLEITUNG

EINFÜHRUNG

- o **LESEN SIE BITTE DIE SICHERHEITSHINWEISE, BEVOR SIE DAS PRODUKT VERWENDEN**
- o Registrieren Sie Ihr Produkt online auf <http://www.ion-audio.com>.

Beim iPROFILE handelt es sich um ein neuartiges Gerät, mit dem Musik von Schallplatten und externen Tonquellen (z. B. Kassettenrekorder, Tonbandgeräte usw.) direkt auf den iPod aufgenommen werden kann*. Zusätzlich dazu ist es möglich, Ihre Vinylschätze über den USB Anschluss auf den Computer digital zu überspielen. Wir haben mehrere Softwarepakete beigelegt, die Sie beim Konvertieren Ihrer Vinylaufnahmen unterstützen sollen. Beachten Sie bitte, dass für direkte Aufnahmen auf Ihren iPod keine Software installiert werden muss. Sie sollten jedoch eine der folgenden Anwendungen installieren, um die Vorteile von Computeraufnahmen zu nutzen:

- **EZ Vinyl/Tape Converter**** (nur für PC) ist die schnellste und einfachste Lösung überhaupt, um Ihre Schallplatten in das digitale Format umzuwandeln. EZ Vinyl/Tape Converter speichert Ihre Aufnahmen für Sie direkt in Ihrer iTunes® Bibliothek. Gerade Anwender, die zum ersten Mal Schallplatten digitalisieren lieben diese Software. Auf der CD, sie finden in einer handlichen Kurzanleitung schrittweise Anleitungen zur Softwareinstallation und zur Bedienung des Programms.
- **EZ Audio Converter** (nur für Mac) ist ein grundlegendes Converter-Programm für Mac OS X und ideal für Neueinsteiger. Softwareinstallation und Betrieb sind Schritt für Schritt in der beigelegten Software-Kurzanleitung erklärt.

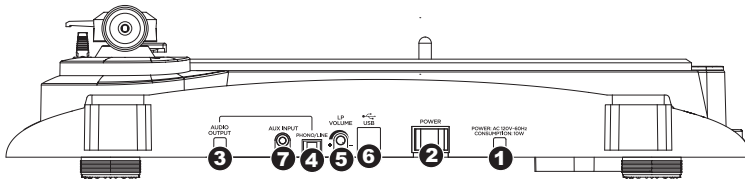
Um die Softwareprogramme zu installieren, legen Sie einfach die mitgelieferte CD in das Laufwerk Ihres Computers ein und folgen den Bildschirmanweisungen. Nachdem Sie Ihre Schallplatten digitalisiert haben, können Sie aus den Titeln eine CD brennen oder die Songs auf einen portablen MP3-Player laden.

* iTunes und iPod sind geschützte Warenzeichen von Apple, Inc., registriert in den U.S.A. und anderen Ländern.

INHALT DER VERPACKUNG

- iPROFILE
- Slipmat
- 45 RPM Adapter
- USB-Kabel
- Software CD
- Kurzanleitung
- Sicherheits- und Garantiehinweise

ÜBERSICHT ÜBER DIE RÜCKSEITE



- 1. Netzkabel** – Das Netzkabel verbinden Sie mit einer Steckdose, NACHDEM Sie alle Audioverbindungen hergestellt haben.
- 2. Power Schalter** – Schaltet das Gerät ein und aus.
- 3. Audioausgang (RCA)** – Diese Kabel schließen Sie an die Audioeingänge Ihrer Stereoanlage an. (Beachten Sie bitte: Sie können auch dann noch Musik auf Ihren iPod oder Computer kopieren, wenn die Audioausgänge des Gerätes nicht mit Ihrer Stereoanlage verbunden sind).
- 4. RCA PHONO | RCA LINE Schalter** – Mit diesem Schalter können Sie den Ausgangspegel von PHONO auf LINE stellen für die Audioausgang. Verwenden Sie die PHONO Einstellung, wenn Sie den Plattenspieler an die Phonoeingänge Ihrer Stereoanlage anschließen. Verwenden Sie den LINE Pegel, um das Gerät an die CD/AUX/TAPE Eingänge anzuschließen.
ACHTUNG: Sie könnten Ihre Stereoanlage beschädigen, falls Sie das Gerät mit LINE Pegel an den PHONO Eingängen der Anlage betreiben.
- 5. Lautstärke** – Mit diesem Regler justieren Sie die Lautstärke des Audiosignals des Schallplattenspielers. Falls das Audiosignal Ihres Plattenspielers zu leise oder zu laut sein sollte, passen Sie ihn mit diesen Reglern an.
- 6. USB Audio Ausgang** – Mit dem beigelegten USB Kabel können Sie diesen USB Port mit Ihrem Computer verbinden. Die USB Verbindung transportiert das digitale Audiosignal vom Plattenteller und dem 3,5 mm Stereo-Aux-Eingang zum Computer. Über USB kommt auch der Audioausgang des Computers zurück und kann an den RCA Audioausgang des Plattenspielers abgegriffen werden. Zur Übertragung Ihrer Schallplatten auf den Computer haben wir zwei Programme beigelegt. EZ Vinyl/Tape Converter (PC) bzw. EZ Audio Converter (Mac) sind die einfachste und schnellste Methode, um Ihre Vinyl-Aufnahmen zu übertragen. Wenn Sie Neueinsteiger sind, sollten Sie diese Programme benutzen.
- 7. 3,5 mm Stereo-Aux-Eingang** – Schließen Sie Ihr Kassettendeck oder andere Audioquellen hier an. Das hier eingehende Eingangssignal wird über USB an Ihren Computer gesendet. **Sie sollten in jedem Falle überprüfen, dass Ihr Tonabnehmersystem installiert ist, um bei der Verwendung dieses Eingangs die maximale Audioqualität zu erzielen.** Passen Sie auch darauf auf, Ihre RCA Anschlüsse für den Audioausgang mit Ihrem Eingangsgerät sind und keinen Kontakt zu metallischen Gegenständen haben.

ÜBERSICHT ÜBER OBERSEITE

1. **Plattenteller** – Legen Sie die Schallplatte, die Sie spielen möchten, hier auf. Achten Sie immer darauf, dass die Slipmat im auf dem Plattenteller liegt, wenn Sie den Schallplattenspieler verwenden. Andernfalls könnten Sie sowohl Ihre Schallplatten als auch den Plattenspieler beschädigen. Bitte entfernen Sie die Nadelabdeckung aus Plastik, bevor Sie den Plattenspieler verwenden.

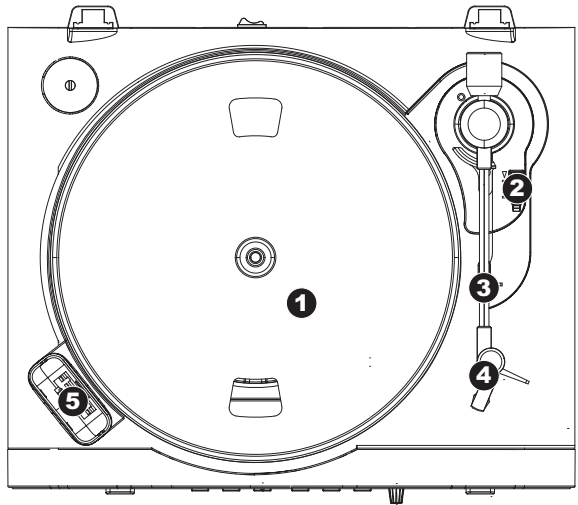
2. **Tonarmlift** – Hebt und senkt den Tonarm.

3. **Arm Clip** – Dieser speziell entworfene Arm-Clip sichert den Tonarmwährend Pausen und bei Nichtgebrauch. Der Arm-Clip wurde so entworfen, dass er in der aufrechten Stellung verbleibt solange er geöffnet ist.

HINWEIS: Beim Transport des Plattenspielers sollte die Plastikabdeckung auf den Tonabnehmereinsatz gesteckt werden, um eine Beschädigung der Tonnadel zu vermeiden.

4. **Tonabnehmersystem und Headshell** – Das Tonabnehmersystem ist auf eine Standard-Headshell vormontiert. Sowohl das Tonabnehmersystem als auch die Nadel kann selbst ausgetauscht werden und ist kompatibel mit den meisten Standard DJ Systemen. Vor dem ersten Gebrauch entfernen Sie die Plastik Schutzkappe vom System.

5. **Dock** – Schließen Sie hier Ihren iPod an. Achten Sie darauf, dass Ihr iPod gut in den Dock Connector gleitet. Wenden Sie keine Kraft an! Zunächst den mit dem iPod mitgelieferten Dockadapter einstecken, um für den iPod einen festen Halt und damit einen stabileren Anschluss zu gewähren. Das Dock ermöglicht es Ihnen, Ihre Schallplatten direkt auf dem iPod aufzunehmen oder Musik von Ihrem iPod über den Audioausgang wiederzugeben. Ist das Dock angeschlossen, kann der iPod mit dem iTunes-Musikverzeichnis dann abgeghen werden, wenn der iPod über eine USB-Verbindung angeschlossen ist. Das iPodPROFILE ist mit den folgenden iPod Modellen kompatibel:



iPod Modell	Wiedergabe	Aufnahme
iPod		
7. Generation (Classic)	✓	✓
6. Generation (Classic)	✓	✓
5. Generation	✓	✓
4. Generation	✓	✓
3. Generation*	✓	
1. und 2. Generation		
iPod Nano		
4. Generation (nano-chromatic)	✓	✓
3. Generation	✓	✓
2. Generation	✓	✓
1. Generation	✓	
iPod Shuffle		
iPod Mini		
iPod Touch		
2. Generation***	✓	✓
1. Generation**	✓	

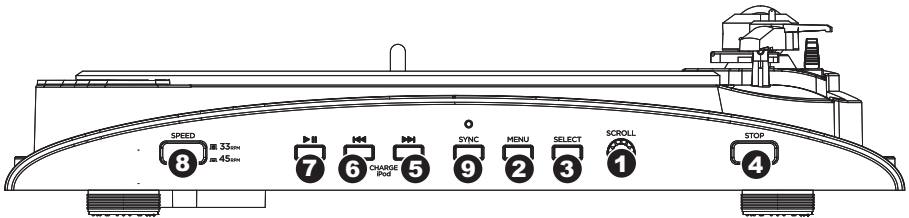
* Beim iPod der 3. Generation werden nur die Tasten "Play", "Rewind", und "Fast Forward" unterstützt. Die Tasten "Select", "Menu" und "Rec Mode" werden nicht unterstützt.

** iPod Touch-Geräte der ersten Generation dient nur zur Steuerung des Musikplayers

*** iPod Touch-Geräte der zweiten Generation können zur Aufnahme mit Fremdanwendungen wie z. B. iProRecorder verwendet werden.

Beachten Sie, dass Ihr Plattenspieler ihren angeschlossenen iPod gleichzeitig auflädt, wenn Sie auf dem iPod nicht aufnehmen. Der Aufladebetrieb des iPod wird zu Beginn einer Aufnahme automatisch abgeschaltet und bei Beendigung derselben wieder eingeschaltet, um die bestmögliche Aufnahmequalität zu gewähren und unerwünschte Geräusche in der Aufnahme zu vermeiden. Wir wissen, dass es bei langen Aufnahmen notwendig sein kann, den iPod aufzuladen. Sie können das Aufladen während der Aufnahme an Ihrem iPod aktivieren, indem Sie gleichzeitig die Tasten |<< und >>| drücken. Sie schalten das Aufladen aus, indem Sie die Tasten |<< und >>| noch einmal drücken.

ÜBERSICHT ÜBER DIE VORDERSEITE



Die folgenden Steuerelemente (1-7) können zum Durchsuchen und Navigieren in den Menüs und Funktionen Ihres iPods direkt vom Plattenspieler aus verwendet werden.

1. **Scroll** – Dieser Regler funktioniert wie das Touchwheel Ihres iPods.
2. **Menu** – Diese Taste arbeitet wie die 'Menu' Taste Ihres iPods.
3. **Select** – Diese Taste arbeitet wie die 'Select' Taste Ihres iPods.
4. **Stop** – Drücken Sie diese Taste, um die Wiedergabe zu beenden.
5. **>>|** – Diese Taste arbeitet wie die '>>|' Taste Ihres iPods.
6. **|<<** – Diese Taste arbeitet wie die '|<<' Taste Ihres iPods.
7. **>||** – Diese Taste arbeitet wie die '>||' Taste Ihres iPods.

Hinweis: Beachten Sie, dass Sie durch gleichzeitiges Drücken der **|<<** und **>>|** Tasten bei der Aufnahme den Ladevorgang des iPods aktiviert. Drücken Sie diese Taste noch einmal, um diesen Vorgang abzuschalten.

8. **33 und 45 RPM Tasten** – Diese Tasten steuern die Drehzahl des Plattentellers.
9. **Sync** – Wenn der iPod am Dock angeschlossen und iPROFILE an den PC über eine USB-Verbindung angeschlossen ist, kann der iPod mit dem auf dem PC befindlichen iTunes-Musikverzeichnis abgeglichen werden. Bei Beendigung des iPod von der iTunes-Schnittstelle entfernen. Den iPod nur dann aus dem Dock nehmen oder das USB-Kabel nur dann entfernen, nachdem der iPod vorschriftsmäßig vom PC entfernt wurde. (**WARNUNG:** Wird der iPod nicht vorschriftsmäßig entfernt, kann es zum Verlust von Daten oder zur Beschädigung des Geräts kommen.) Sobald der iPod vorschriftsmäßig entfernt wurde, kann dieser wieder durch Herunterdrücken der Sync-Taste für zwei Sekunden an den Plattenspieler angeschlossen werden. Alternativ kann der iPod auch entfernt und wieder in das Dock eingesteckt werden.

AUF IHREN iPod AUFNEHMEN

Folgen Sie bitte der folgenden Anleitung, um Schallplatten direkt auf dem iPod aufnehmen zu können. Beachten Sie bitte, dass Ihr iPod Audiosignale des Schallplattenspielers und dem 3,5 mm Stereo-Aux-Eingang des Plattenspielers aufnehmen kann.

Wie Sie wissen, können Sie auf Ihrem iPod auch dann aufnehmen, wenn keine Audioverbindungen am Plattenspieler hergestellt wurden. Jedoch empfehlen wir ausdrücklich, die Audioausgänge (RCA oder USB) mit einem Lautsprecher zu verbinden, um die Aufnahmen vorzuhören.

1. Stellen Sie den iPod in das Dock, so dass er leicht auf den Dock Anschluss zu schieben ist. Beachten Sie, dass je nach verwendetem iPod Modell der universelle Dock Adapter, der Ihrem iPod beiliegt, verwendet werden muss.
2. Legen Sie eine Schallplatte auf den Plattenteller und suchen Sie direkt zu der Position der Platte, an der sich das Lied, welches Sie aufnehmen möchten, befindet.
3. Vom Hauptmenü über **Extras ▶ Voice Memos** den Aufnahmebetrieb des iPod aufrufen.
4. Tonarm des Plattenspielers mit dem Tonarmhebel anheben und die Tonnadel an den Beginn des Musikstücks, welches aufgenommen werden soll, bringen.
5. Wenn Sie für die Aufnahme bereit sind, drücken Sie die **Select** Taste, um den Aufnahmevorgang zu beginnen.
6. Tonarm mit dem Tonarmhebel absenken, um das Musikstück abzuspielen.
7. Soll die Aufnahme beendet werden, Plattenspieler anhalten.
8. Verwenden Sie danach den **Scroll** Regler und wählen Sie 'Stop and Save' aus. Drücken Sie **Select**.

Nach Abschluss des Aufnahmevorgangs finden Sie Ihre Aufnahme unter **Extras ▶ Voice Memos**. Sie können die Aufnahmen anhand der Datums- und Zeitangabe (zum Zeitpunkt der Beendigung der Aufnahme) identifizieren.

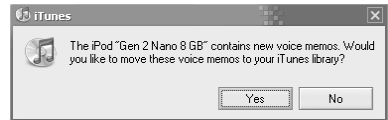
WICHTIG: Wir empfehlen Ihnen, Ihre Aufnahmen nicht direkt auf dem iPod umbenennen. Falls Sie den Dateinamen Ihrer Aufnahme am iPod ändern, könnte es passieren, dass der iPod auf die Musik nicht mehr zugreifen kann. Wenn Sie Ihre Aufnahmen umbenennen möchten, sollten Sie die Daten erst auf den Computer übertragen, sie dann umbenennen und über Ihre iTunes Bibliothek als AAC oder MP3 Datei zurück zum iPod senden.

IHREN iPod ÜBER DEN SCHALLPLATTENSPIELER SYNCHRONISIEREN

Sie können Ihren iPod mit iTunes direkt über den Plattenspieler synchronisieren. Folgen Sie dazu den nun beschriebenen Schritten:

1. Verbinden Sie Ihren Plattenspieler über das mitgelieferte USB Kabel mit Ihrem Computer, (Windows Anwender aufgepasst! Falls Sie das erste Mal Ihren Plattenspieler an Ihren Computer anschließen, warten Sie bitte, bis der Computer automatisch die benötigten Hardware-Treiber geladen hat. Fahren Sie erst nach der Meldung "Ihre neue Hardware wurde installiert und kann nun verwendet werden" fort.)
2. Pod in das Dock einstecken und die Sync-Taste zwei Sekunden lang herunterdrücken. Sobald sich Ihr iPod mit dem Computer verbindet, erscheint die Meldung "Bitte nicht trennen" auf der iPod-Anzeige. **ENTFERNEN SIE IHREN iPod NICHT VOM DOCK, WÄHREND DIE "BITTE NICHT TRENNEN" MELDUNG BLINKT UND BEVOR SIE DAS GERÄT NICHT AM COMPUTER ABGEMELDET HABEN! ANDERENFALLS KANN ES ZU SCHÄDEN AM iPod ODER AN DEN DATEN DES GERÄTES KOMMEN!**
3. Wenn Ihr iPod richtig an Ihren Computer angeschlossen wurde, sollte iTunes automatisch starten. (PC Anwender sollten zur iTunes Installation die beiliegende CD verwenden. Folgen Sie dabei einfach den Bildschirmanweisungen zur Installation des Programms.)
4. Wenn Sie nach der letzten Verbindung des iPods mit iTunes neue Aufnahmen auf dem iPod gemacht haben, erscheint nun folgende Anzeige:

Wählen Sie 'Yes', falls Sie die Aufnahmen (hier als Voice Memos bezeichnet) in die iTunes Bibliothek übernehmen wollen.

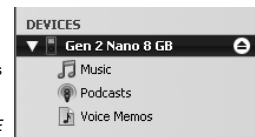


Während Ihr iPod angeschlossen ist und sich mit Ihrem Computer synchronisiert, können Sie auch Musik abgleichen, wie Sie es normalerweise gewohnt sind.

Beachten Sie bitte auch, dass Musik Ihres Computers auch über den RCA Ausgang Ihres Plattenspielers wiedergeben können!

WICHTIG UM IGHREN iPod SICHER VOM COMPUTER ZU TRENNEN, WERFEN SIE IHREN iPod DURCH DEN ANKLICKEN DES EJECT TASTERS IN iTUNES AUS.

HINWEIS: Wird der iPod vom PC entfernt, muss die Sync-Taste wieder zwei Sekunden lang heruntergedrückt werden, falls der iPod mit iPROFILE zum Einsatz kommen soll.



FEHLERHILFE

Sollten Sie bei der Verwendung Ihres USB Plattenspielers auf Probleme stoßen, können Sie die folgende Fehlersuchtable verwenden, um eine Lösung zu finden.

PROBLEM	URSACHE	LÖSUNG
Ich höre bei der Aufnahme kein Audiosignal.	Nadel liegt nicht auf der Schallplatte.	Legen Sie die Nadel auf die Schallplatte auf.
	Plattenspieler hat kein Strom.	Vergewissern Sie sich, dass der Schallplattenspieler mit einer funktionierenden Stromquelle verbunden und eingeschaltet ist.
	RCA Ausgänge sind nicht mit einem Lautsprechersystem verbunden.	Überprüfen Sie, dass die RCA Ausgänge des Plattenspielers mit einem Lautsprechersystem verbunden sind und dieses eingeschaltet ist.
Der Klang, den ich höre, ist sehr schlecht.	Das System sitzt nicht richtig.	Das Tonabnehmersystem muss fest am Tonarm sitzen, wenn Sie den Plattenspieler verwenden.
	Die Schallplatte ist schmutzig oder verkratzt.	Wischen Sie die Oberfläche der Schallplatte mit einem antistatischen Tuch vorsichtig ab.
	iPod wird während der Aufnahme geladen.	Um eine bestmögliche Aufnahmequalität zu erreichen, sollten Sie das Aufladen des iPods während der Aufnahme ausgeschaltet lassen. Wenn Sie diese Funktion trotzdem verwenden wollen, drücken Sie gleichzeitig die Tasten [<< und >>].
Bei der Aufnahme der Schallplatten auf den Computer klingt es verzerrt und sehr laut.	Der Lautstärke des Plattenspielers ist zu hoch.	Drehen Sie den Lautstärkeregler zu.
Bei der Aufnahme der Schallplatten auf den Computer klingen die Aufnahmen zu leise.	Der Lautstärke des Plattenspielers ist zu niedrig.	Drehen Sie den Lautstärkeregler auf.
Ich kann meine Aufnahmen nicht hören, wenn ich sie vom Computer abspiele.	Der Audioausgang des Computers ist nicht richtig eingestellt.	Konfigurieren Sie Ihre Audioeinstellungen am Computer wie folgt: ■ Gehen Sie in Windows auf Start ► Systemsteuerung ► Sounds und Audiogeräte (Windows XP) oder Start ► Systemsteuerung ► Sound (Windows Vista) und wählen Sie die Soundkarte Ihres Computers als Wiedergabegerät im Audio Tab. ■ Alternativ können Sie auch Audiosignale des Computers über die RCA Ausgänge des Plattenspielers abhören. Wählen Sie dazu einfach den "USB Audio Codec" Wiedergabegerät aus. Dann wird das Audiosignal zu den RCA Ausgängen Ihres Plattenspielers geführt.
Wenn der Plattenspieler angeschlossen ist, kann ich keine Audiosignale vom Computer hören.		
Unter Windows Vista sind meine Aufnahmen nur in Mono anstatt in Stereo.	Aufnahmeeinstellungen in Vista stehen nicht auf "Stereo".	In Vista müssen Sie möglicherweise für den Aufnahmeeingang den Stereo-Mode manuell auswählen. Gehen Sie auf Start ► Systemsteuerung ► Sound (in der klassischen Ansicht). Klicken Sie dann auf den Aufnahme Tab und wählen Sie den Mikrofon Eingang (USB Audio Codec) an. Klicken Sie auf Eigenschaften... . Klicken Sie dann auf den Erweitert Tab und wählen Sie " 2 Kanal, 16 Bit, 44100 Hz (CD Qualität) " im Standardformat Aufklappmenü aus. Drücken Sie dann auf Übernehmen , um die Änderung zu bestätigen.
Ich kann auf meinem iPod nicht aufnehmen.	iPod sitzt nicht richtig im Dock .	Achten Sie darauf, dass Ihr iPod richtig im Dock steckt. Es wird empfohlen, den dem iPod beiliegenden universellen Dock Adapter zu verwenden.
	iPod wird gerade mit dem Computer synchronisiert.	Sie können nicht auf dem iPod aufnehmen, wenn er gerade mit dem Computer über USB synchronisiert wird. iPod vom PC entfernen und dann die Sync-Taste des Plattenspielers zwei Sekunden lang herunterdrücken, um ihn wieder anzuschließen.
	iPod befindet sich nicht im Aufnahmemodus (Voice Memo).	Überprüfen Sie, dass sich der iPod im Aufnahmemodus befindet. Menü Extras ► Voice Memos im iPod aufrufen. Anschließend am Plattenspieler die Select -Taste drücken, um mit der Aufnahme zu beginnen.
Der Plattenteller dreht sich nicht.	Der Antriebsriemen hat sich gelöst.	Den Tonarm zurück auf die Tonarmablage platzieren, um den Motor des Plattenspielers anzuhallen. Anschließend den Plattenteller drehen, bis in einem der Löcher die Motorspindel sichtbar wird. Greifen Sie in das Loch und ziehen Sie den Gummiantriebsriemen vom inneren Ring über die Motorspindel. Achten Sie darauf, den Gummiantriebsriemen dabei nicht zu verdrehen. Stellen Sie sicher, dass der Plattenteller gleichmäßig läuft. Wenn der Antriebsriemen korrekt installiert ist, sollte eine leichte Spannung bestehen, die den Drehteller zum Halt bringt nachdem er frei gedreht wurde.
Meine Musik wird in der falschen Tonhöhe abgespielt.	Falsche Geschwindigkeit am Plattenspieler ausgewählt.	Achten Sie darauf, dass die Schallplatten in der vorgesehenen Geschwindigkeit abgespielt werden. Sie können mit den Tasten 33RPM oder 45RPM zwischen zwei Geschwindigkeiten wählen.

BEVOR SIE DIESES PROKT ZURÜCK SENDEN nehmen Sie bitte Kontakt mit ION Audio oder Ihrem Fachhändler zur Behebung eines Problems auf. Die Kontaktinformationen finden Sie in der Broschüre mit den Sicherheitshinweisen, die diesem Produkt beiliegt.

GUIDA RAPIDA

INTRODUZIONE

- o **LEGGERE ATTENTAMENTE IL LIBRETTO DI ISTRUZIONI PRIMA DI UTILIZZARE IL PRODOTTO**
- o Recarsi alla pagina <http://www.ion-audio.com> per la registrazione del prodotto.

L'iPROFILE è un prodotto rivoluzionario che consente di registrare musica da dischi in vinile e da sorgenti audio esterne (ad es. lettori di nastri, reel-to-reel, ecc.) direttamente sul vostro iPod*. Inoltre, il giradischi USB si collega direttamente al computer per trasformare i vostri preziosi dischi in vinile in musica digitale. Per aiutarvi nella conversione dei dischi in vinile, abbiamo incluso diversi pacchetti software: va notato che per la registrazione diretta su iPod non è richiesta l'installazione di alcun software. Tuttavia, sarà necessario installare una delle seguenti applicazioni per sfruttare la registrazione su computer:

CONTENUTI DELLA CONFEZIONE

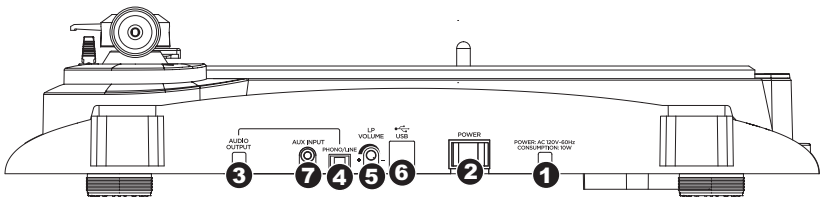
- Giradischi iPROFILE
- Tappetino
- Adattatore 45 giri
- Cavo USB
- CD del software
- Guida rapida
- Istruzioni di sicurezza e garanzia

- **EZ Vinyl/Tape Converter**** (unicamente per PC) è il modo più facile e veloce di trasformare le vostre registrazioni in media digitali. EZ Vinyl/Tape Converter salva comodamente le vostre registrazioni nella libreria iTunes*. Questa è probabilmente l'applicazione preferibile per gli utenti alle prime armi. Sul CD, abbiamo allegato una comoda Guida Rapida con istruzioni passo passo circa l'installazione e l'uso del software.
- **EZ Audio Converter** (solo Mac) è un applicativo base di conversione per Mac OS X ed è l'ideale per utenti principianti. Fate riferimento alla comoda Guida Rapida allegata, recante le istruzioni passo passo circa l'installazione e l'uso del software.

Per installare il software: inserire il CD in dotazione nel computer e seguire le istruzioni da schermo. Una volta terminato di convertire il vinile, lo si può masterizzare su un CD o caricare su dispositivi media portatili.

* iTunes e iPod sono marchi di fabbrica di Apple, Inc., registrati negli Stati Uniti e in altri paesi.

CARATTERISTICHE DEL PANNELLO POSTERIORE



1. **Cavo di alimentazione** – Questo cavo di alimentazione va inserito in una presa a muro DOPO aver effettuato tutti i collegamenti audio.
2. **Interruttore di alimentazione** – accende e spegne l'apparecchio.
3. **Uscita audio (RCA)** – questi cavi vanno collegati a livello degli ingressi audio dell'impianto home stereo (Nota bene: si possono copiare dischi sull'iPod o sul computer, anche se le uscite audio del giradischi non sono collegate ad un impianto stereo).
4. **Interruttore RCA PHONO | RCA LINEA** – sul pannello inferiore, vicino ai cavi RCA, è presente un interruttore che commuta tra PHONO e LINEA per l'Uscita Audio. Servirsi di un livello PHONO per il collegamento in un ingresso giradischi su un home stereo. Servirsi del livello LINE (linea) per il collegamento a ingressi CD/AUX/TAPE.
AVVERTENZA: si rischia di danneggiare il ricevitore collegando un livello di LINEA in un ingresso PHONO.
5. **Volume** – questa manopola serve a regolare il livello di guadagno del segnale audio proveniente dai giradischi. Se l'audio proveniente dai giradischi è troppo basso o troppo alto, servirsi di questa manopola per regolare il livello del volume.
6. **Uscita audio USB** – servirsi del cavo USB in dotazione per collegare il giradischi al computer. Il collegamento USB fornirà l'audio dal piatto e dall'ingresso ausiliario da 1/8" al computer. Il collegamento USB convoglierà inoltre audio dal computer attraverso le uscite RCA dei giradischi. Per il trasferimento dei dischi in vinile al computer, abbiamo previsto due diversi pacchetti software nel CD incluso. L'EZ Vinyl/Tape Converter e l'EZ Audio Converter (Mac) sono il modo più semplice e veloce di trasferire i vostri dischi in vinile ed è preferibile che vengano utilizzati dai principianti.
7. **Ingresso ausiliario da 1/8"** – collegare lettori a nastro, reel-to-reel, o qualsiasi altra sorgente audio a questo livello. Questo segnale viene inviato al computer tramite USB. **Quando si utilizza questo ingresso, assicurarsi che la cartuccia phono sia installata per garantire il massimo della qualità sonora.** Assicurarsi inoltre che i jack RCA di uscita audio sono inseriti in un dispositivo di ingresso o non a contatto con metalli.

CARATTERISTICHE DEL PANNELLO SUPERIORE

1. **Piatto** – Collocare qui il disco che si desidera riprodurre. Quando si usa il giradischi, assicurarsi sempre che il tappetino sia posto sul piatto. Il mancato utilizzo del tappetino può provocare danni al disco, oltre a danneggiare il giradischi stesso. Rimuovere il cappuccio della cartuccia (copripuntina) prima di utilizzare il giradischi.

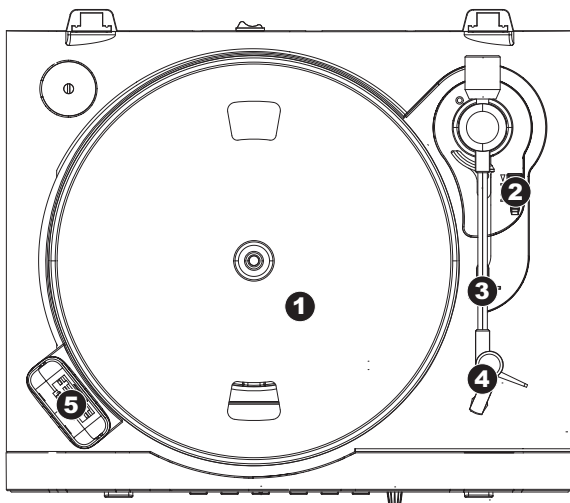
2. **Levetta di Sollevamento / Abbassamento** – Alza e abbassa il BRACCIO.

3. **Ferma braccio:** questo ferma braccio dal design speciale fissa il braccio quando è a riposo o quando non è in uso. Il ferma braccio è stato progettato in modo che resti sollevato quando sbloccato.

NOTA BENE: al momento di trasportare il giradischi, si raccomanda di collocare il coperchio in plastica sulla cartuccia per evitare danni alla puntina.

4. **Cartuccia e fonorivelatore** – la cartuccia è pre-installata su un fonorivelatore standard. La cartuccia è sostituibile dall'utente e compatibile con numerose cartucce standard. Assicurarsi di rimuovere la copertura in plastica trasparente prima di utilizzare il giradischi dalla cartuccia.

5. **Dock** – collegare l'iPod a questo dock. Assicurarsi che l'iPod si inserisca agevolmente nel connettore, ma non forzarlo! Per assicurare un inserimento adeguato ed un collegamento più stabile, inserire per primo l'adattatore per dock che era in dotazione con l'iPod. Il dock permette di registrare il vinile direttamente sull'iPod o di riprodurre musica proveniente dall'iPod attraverso la uscita audio del giradischi. Una volta collegato al dock, si può sincronizzare l'iPod alla propria libreria musicale iTunes se l'iPROFILE è collegato al computer tramite USB. L'iPROFILE è compatibile con i seguenti modelli di iPod:



Modello iPod	Riproduzione	Registrazione
iPod		
7ª generazione (Classic)	✓	✓
6ª generazione (Classic)	✓	✓
5ª generazione	✓	✓
4ª generazione	✓	
3ª generazione*	✓	
1ª e 2ª generazione		
iPod Nano		
4ª generazione (nano-chromatic)	✓	✓
3ª generazione	✓	✓
2ª generazione	✓	✓
1ª generazione	✓	
iPod Shuffle		
iPod Mini		
iPod Touch		
2ª generazione***	✓	✓
1ª generazione**	✓	

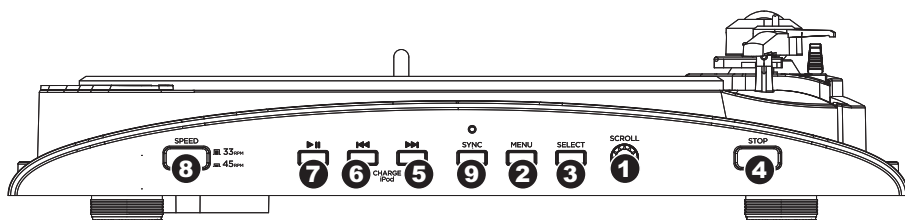
* Nell'iPod di 3ª generazione, solo i tasti "Play", "Rewind", e "Fast Forward" sono supportati. I tasti "Select", "Menu" e "Rec Mode" non sono supportati.

** Su iPod Touch di 1ª generazione, è supportata unicamente la navigazione del lettore musicale.

*** Sugli iPod Touch di 2ª generazione, è possibile registrare servendosi di un'applicazione di registrazione di terzi quale l'iProRecorder.

Il giradischi è anche in grado di caricare l'iPod, quando questo è collegato al dock. Quando non si registra, il giradischi caricherà automaticamente l'iPod. Per garantire la migliore qualità di registrazione possibile e per evitare che rumori indesiderati vengano introdotti nelle registrazioni; l'iPod in carica verrà disattivato non appena viene avviata la registrazione e verrà riattivato al termine della stessa. Tuttavia, è comprensibile che si possa desiderare di registrare lunghe sessioni, cosa che richiede che l'iPod rimanga carico più a lungo. Durante la registrazione, si può accendere la carica dell'iPod premendo << e >> simultaneamente. Si può spegnere in qualsiasi momento, premendo nuovamente << e >>.

CARATTERISTICHE DEL PANNELLO ANTERIORE



I seguenti comandi 1-7 possono essere utilizzati per scorrere e navigare tra i menu e le funzioni dell'iPod direttamente dal giradischi.

- 1. Scroll** – Questa manopola funziona come il controller Touchwheel dell'iPod.
- 2. Menu** – Questo tasto funziona come il tasto 'Menu' sull'iPod.
- 3. Select** – Questo tasto funziona come il comando "Select" dell'iPod.
- 4. Stop** – Premere questo tasto per interrompere la riproduzione.
- 5. >>|** – Funziona come il tasto ">>|" dell'iPod.
- 6. <<<** – Funziona come il tasto "<<<" dell'iPod.
- 7. >||** – Funziona come il tasto ">||" dell'iPod.
- 8. Tasti 33 e 45 giri** – Questi tasti controllano il numero di giri al minuto del piatto del giradischi.
- 9. Sync** – Quando l'iPod è collegato al dock e l'iPROFILE è collegato al computer tramite USB, tenere premuto questo pulsante per due secondi per sincronizzare l'iPod con la libreria iTunes del computer. Una volta terminato, espellere l'iPod dall'interfaccia iTunes. Rimuovere l'iPod dal dock o scollegare il cavo USB unicamente dopo aver disattivato tramite la procedura sicura l'iPod dal computer (**AVVERTENZA:** il mancato rispetto della procedura sicura di espulsione dell'iPod può provocare una perdita di dati o danni al lettore). Una volta espulso l'iPod in maniera sicura, è possibile ricollegarlo al giradischi tenendo nuovamente premuto il tasto Sync per due secondi oppure rimuovendo l'iPod e ricollocandolo nel dock.

Nota bene: La pressione simultanea di <<< e >>| durante la registrazione attiverà la carica dell'iPod. Premere nuovamente i tasti per disattivare la carica dell'iPod.

REGISTRARE SULL'iPOD

Seguire le istruzioni di cui sotto per registrare musica direttamente sull'iPod. Va notato che l'iPod registrerà audio proveniente dal giradischi, oltre all'audio proveniente dall'ingresso ausiliario stereo da 1/8".

Nota bene: è possibile registrare sull'iPod senza avere collegamenti audio inseriti. Tuttavia, raccomandiamo di collegare le uscite audio (RCA o USB) ad un impianto di casse in modo da poter monitorare le registrazioni.

1. Posizionare l'iPod nel dock, assicurandosi che sia inserito bene sul connettore. A seconda del modello di iPod in vostro possesso, potrebbe essere necessario servirsi dell'adattatore universale per dock in dotazione con l'iPod.
2. Posizionare un disco sul piatto e selezionare la musica che si desidera registrare.
3. Entrare in modalità di registrazione dell'iPod recandosi su **Extras ► Voice Memos** dal menu principale.
4. Sollevare il braccio del giradischi servendosi della levetta Raise / Lower (alza/abbassa) e collocare la puntina all'inizio della canzone che si desidera registrare.
5. Una volta pronti a registrare, premere il tasto **Select** per avviare la registrazione sull'iPod.
6. Abbassare il braccio servendosi della levetta Raise / Lower (alza/abbassa) per riprodurre la canzone.
7. Quando si desidera interrompere la registrazione, fermare il giradischi.
8. Quindi, servirsi della manopola **Scroll** per selezionare 'Stop and Save' e premere **Select**.

Una volta terminato, si può individuare la registrazione navigando in **Extras ► Voice Memos**. Le registrazioni verranno identificate dalla data e l'ora in cui la registrazione è stata effettuata.

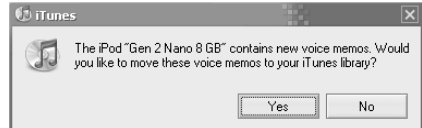
IMPORTANTE: non è consigliabile rinominare le registrazioni direttamente sull'iPod. Cambiando il nome del file, infatti, l'iPod potrebbe non essere più in grado di accedere al file. Se si desidera rinominare la registrazione, trasferire il file sul computer, rinominarlo e importarlo nuovamente nella libreria iTunes come file AAC o MP3.

SINCRONIZZAZIONE DELL'iPod ATTRAVERSO IL GIRADISCHI

L'iPod può essere sincronizzato all'iTunes direttamente dal giradischi. Seguire le istruzioni di cui sotto per stabilire il collegamento.

1. Assicurarsi che il giradischi sia collegato al computer servendosi del cavo USB in dotazione. (Utenti Windows: se questa è la prima volta che si collega il giradischi, lasciare che il computer inicializzi automaticamente i driver hardware necessari. Procedere quando il messaggio "Il nuovo hardware è stato installato ed è pronto all'uso" appare nell'angolo inferiore dello schermo del computer.)
2. Inserire l'iPod nel dock, quindi tenere premuto il tasto Sync per due secondi. Quando l'iPod si collega al computer, sullo schermo dell'iPod apparirà la scritta "Do Not Disconnect" (non scollegare). **NON SCOLLEGARE L'iPod DAL DOCK FINTANTO CHE LA SCRITTA "DO NOT DISCONNECT" APPARE SULLO SCHERMO E PRIMA DI AVER ESPULSO L'iPod DAL COMPUTER CON LA GIUSTA PROCEDURA! IN CASO CONTRARIO, SI RISCHIA DI DANNEGGIARE L'iPod E DI DISTRUGGERNE IL CONTENUTO!**
3. Una volta collegato adeguatamente l'iPod al computer, iTunes si dovrebbe avviare automaticamente. (Utenti PC: Nel caso in cui iTunes non sia ancora stato installato, si può inserire il CD in dotazione con il giradischi. Seguire le istruzioni su schermo per installare l'applicazione.)
4. Se sono state effettuate nuove registrazioni dall'ultima volta in cui l'iPod è stato collegato al computer, apparirà la seguente schermata:

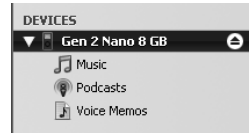
Selezionare "Yes" (Sì) se si desidera trasferire le registrazioni (indicate come voice memo) alla libreria iTunes.



Mentre l'iPod è inserito nel dock e sincronizzato al computer, si può trasferire musica da e verso di esso, proprio come se fosse collegato direttamente al computer.

È perfino possibile ascoltare musica dal computer attraverso le uscite audio RCA del giradischi!

IMPORTANTE: PER SCOLLEGARE L'iPod IN MANIERA SICURA DAL COMPUTER, ESPELLERLO CLICCANDO SUL TASTO EJECT.



NOTA BENE: quando si espelle l'iPod dal computer, sarà necessario tenere nuovamente premuto Sync per due secondi se si desidera continuare a utilizzarlo con l'iPROFILE.

RISOLUZIONE DI PROBLEMI

Fare riferimento ai seguenti casi di risoluzione di problemi nel caso in cui si avessero difficoltà a registrare i vinili sull'iPod o sul computer.

PROBLEMA	CAUSA	SOLUZIONE
Non si sente l'audio mentre registro.	La puntina non è sul disco.	Appoggiare la puntina sul disco.
	Il giradischi non è alimentato.	Assicurarsi che il giradischi sia collegato ad una presa di alimentazione funzionante e che sia acceso.
	Le uscite RCA non sono collegate all'impianto delle casse.	Assicurarsi di aver collegato le uscite RCA del giradischi ad un impianto di casse e che questo sia acceso.
Scarsa qualità sonora.	Il collegamento della cartuccia non è ben fisso.	La cartuccia va fissata saldamente al braccio ogni volta che si utilizza il giradischi.
	Il vinile è sporco o graffiato.	Provare a spolverare delicatamente con un panno la superficie del disco prima di riprodurlo.
	L'iPod è in carica mentre si registra.	Per garantire il massimo della qualità audio, l'iPod in carica va spento mentre si registra. Se questa funzione è attiva, si prega di disattivarla premendo [<< and >>] contemporaneamente.
Quando registro un vinile sul mio computer, la registrazione suona forte e distorta.	Il livello volume è troppo elevato.	Abbassare la manopola volume.
Quando registro un vinile sul computer, la registrazione è a malapena udibile.	Il livello volume è troppo basso.	Alzare la manopola volume.
Non riesco a sentire le mie registrazioni quando provo a riprodurle dal computer.	Uscita audio del computer impostata male.	<p>Assicurarsi che le opzioni di riproduzione audio del computer siano configurate in uno dei seguenti modi:</p> <ul style="list-style-type: none"> In Windows XP, recarsi su Start ► Pannello di controllo ► Suoni e periferiche audio o Start ► Pannello di controllo ► Suoni (su Windows Vista) e assicurarsi che la scheda audio del computer sia selezionata quale periferica di riproduzione audio sotto la linguetta Audio. Alternativamente, si può riprodurre l'audio dal computer attraverso le uscite audio RCA del giradischi. Selezionare "USB Audio Codec" come periferica di riproduzione audio e qualsiasi suono proveniente dal computer suonerà attraverso le uscite RCA del giradischi.
Quando il giradischi è collegato non sento alcuna musica dal mio computer.		
Quando registro sul mio computer con Windows Vista, le mie registrazioni risultano mono anziché stereo.	Le proprietà di ingresso di registrazione in Vista non sono impostate su "stereo".	In Vista, va specificato "stereo" per l'ingresso di registrazione. Recarsi su Start ► Pannello di controllo ► Suono (in Visuale Classica). Quindi, cliccare sulla linguetta Registrazione ed evidenziare l'ingresso Microfono (USB Audio Codec). Cliccare su Proprietà per richiamare le impostazioni di ingresso. Quindi, cliccare sulla linguetta Avanzate e selezionare "2 canali, 16 bit, 44100 Hz (qualità CD)" nel menu a tendina Formato predefinito . Infine, cliccare su Applica per accettare le impostazioni.
Non mi è possibile registrare sul mio iPod.	L'iPod non è ben collegato al dock.	Assicurarsi che l'iPod sia ben collegato al dock. Si raccomanda l'uso dell'adattatore universale per dock in dotazione con l'iPod.
	L'iPod è sincronizzato al computer.	Non è possibile registrare sull'iPod fintanto che è sincronizzato al computer attraverso la porta USB. Espellere l'iPod dal computer, quindi tenere premuto il tasto Sync del giradischi per due secondi per collegarlo nuovamente.
	L'iPod non si trova in modalità di registrazione (Voice Memo)	Assicurarsi che l'iPod si trovi in modalità di registrazione. Navigare fino a Extras ► Voice Memos nell'iPod. Quindi, premere Select sul giradischi per iniziare a registrare.
Il piatto non gira.	La cinghia di trasmissione si è allentata.	Ricollocare il braccio in posizione di riposo per arrestare il motore del giradischi. Quindi, far ruotare il piatto fino a quando non è possibile vedere l'asse motore in uno dei fori. Tramite il foro, estrarre la cinghia di trasmissione in gomma dall'anello interno e installarla sull'albero motore. Prestare attenzione a non torcere la cinghia di trasmissione in gomma durante questa operazione. Assicurarsi che il piatto ruoti uniformemente. Se la cinghia di trasmissione è installata correttamente, ci sarà una leggera quantità di tensione che farà fermare il piatto dopo averlo lasciato girare liberamente.
La mia musica suona in una tonalità strana.	Sul giradischi è stata selezionata la velocità sbagliata.	Assicurarsi di riprodurre i dischi alla velocità per cui sono stati creati. Scegliere tra le due diverse velocità premendo 33RPM o 45RPM (33 o 45 giri) .

PRIMA DI RESTITUIRE IL PRODOTTO, si prega di contattare ION Audio o il vostro rivenditore per ottenere assistenza tecnica. Le informazioni di contatto sono reperibili nel libretto di istruzioni di sicurezza in dotazione con questo prodotto.

SNELSTARTGIDS

INTRODUCTIE

- o **LEES DE VEILIGHEIDSLNSTRUCTIES VOOR HET PRODUCT GEBRUIKT WORDT**
- o Bezoek <http://www.ion-audio.com> voor productregistratie.

INHOUD VERPAKKING

- iPROFILE draaitafel
- Slipmat
- 45 TPM Adapter
- USB kabel
- Software CD
- Snelstartgids
- Veiligheids- en garantie-informatie

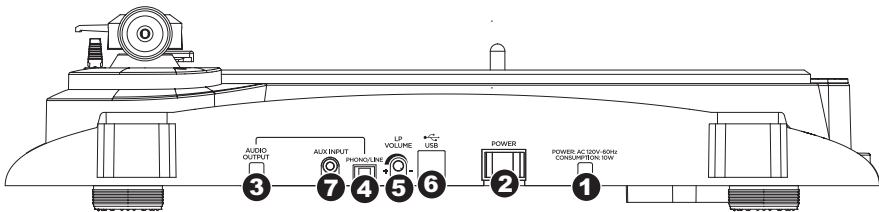
De iPROFILE is een revolutionair product waarmee u muziek van LP's en externe geluidsbronnen (cassette decks, magneetbanden) direct naar iPod* kunt opnemen. Daarbij kan de USB draaitafel rechtstreeks op de computer worden aangesloten om uw kostbare vinyl platen om te zetten in digitale muziek. Er zijn diverse softwarepakketten meegeleverd om u te helpen uw vinyl platen te converteren: Vergeet niet dat er geen software geïnstalleerd hoeft te worden om direct naar uw iPod op te nemen. Wanneer u wilt genieten van de voordelen van opname naar een PC zou u echter één van de volgende toepassingen moeten installeren:

- **EZ Vinyl/Tape Converter**** (alleen voor PC) is de snelste en makkelijkste manier om uw opnamen om te zetten in digitale media. EZ Vinyl/Tape Converter bewaart uw opnamen voor uw gemak in uw iTunes*-bibliotheek. Voor nieuwe gebruikers geniet deze toepassing de voorkeur. Op de CD, we hebben een handige snelstartgids meegeleverd met stap voor stap instructies voor installatie en werking van de software.
- **EZ Audio Converter** (alleen Mac) is een basistoepassing voor conversie voor Max OS X en is ideaal voor beginners. Raadpleeg de bijgesloten snelstartgids voor de software voor stap voor stap instructies over installatie en bediening van de software.

Om de software te installeren kunt u eenvoudig de meegeleverde CD in de hiervoor geschikte drive op uw computer invoeren waarna u de instructies op het scherm volgt. Na conversie van uw platen kunt u de opnamen op CD branden of op draagbare media-apparatuur laden.

* iTunes en iPod zijn handelsmerken van Apple, Inc., geregistreerd in de V.S. en andere landen.

OVERZICHT ACHTERPANEEL

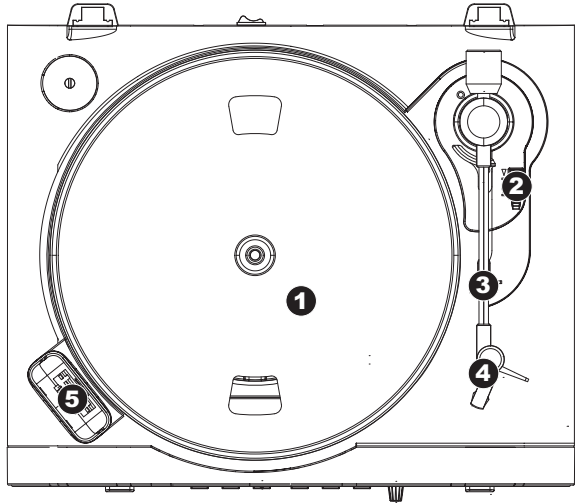


- 1. Netsnoer** – Deze kabel dient in een stopcontact te worden gestoken NADAT alle audio-aansluitingen zijn gemaakt.
- 2. Aan/Uit-schakelaar** – Schakelt de eenheid in of uit.
- 3. RCA Audio uitgangskabels** – Deze kabels worden in de audio-ingangen van uw stereosysteem gestoken. (N.B.: u kunt platen naar uw iPod of computer blijven opnemen, ook wanneer de audio-uitgangen van de draaitafel niet aangesloten zijn naar een stereosysteem).
- 4. RCA PHONO | RCA LINE schakelaar** – Schakelt tussen PHONO- en LINE-niveau voor de Audio uitgangskabels. Gebruik PHONO voor aansluiting op een draaitafelingang op een thuisstereo. Gebruik LINE voor aansluiting op CD/AUX/TAPE-ingangen.
WAARSCHUWING: U kunt uw ontvanger beschadigen wanneer u een LINE-niveau in een PHONE-ingang plukt.
- 5. Volume** – Deze knop kan gebruikt worden om het versterkingsniveau van het audiosignaal van de draaitafel aan te passen. Wanneer het geluid van de draaitafel te zacht of te luid is kan met deze knop de volume-instelling worden aangepast.
- 6. USB Audio Output** – Gebruik de meegeleverde USB-kabel voor het aansluiten van de draaitafel op uw computer. De USB-aansluiting zorgt voor geluid uit de plateau en 1/8" stereo hulpfunctionarisseningang naar uw computer. De USB-aansluiting zal ook geluid van uw computer door de RCA-uitgangen van de draaitafel leiden. Voor het overzetten van uw vinyl platen naar uw computer worden twee verschillende softwarepakketten meegeleverd op de bijgeleverde CD. EZ Vinyl/Tape Converter (PC) en EZ Audio Converter (Mac) zijn de meest gemakkelijke en snelle manier voor het omzetten van vinyl platen voor beginners.
- 7. 1/8" Stereo hulpfunctionarisseningang** – Aansluiting voor alle geluidsbronnen, zoals cassette decks. Dit signaal wordt naar de computer verstuurd via USB. **Zorg ervoor dat het phono-element is geïnstalleerd bij gebruik van deze ingang, voor maximale geluidskwaliteit.** Zorg er ook voor dat de RCA audio uitgangskabels aangesloten zijn op een apparaat of niet in contact staan met metaal.

OVERZICHT BOVENPANEEL

- 1. Plateau** – Plaats de plaat die u wilt afspelen op het plateau. Zorg ervoor dat de slipmat altijd op het plateau ligt bij gebruik van de draaitafel. Het niet gebruiken van deze slipmat kan zowel uw media als de draaitafel beschadigen. Verwijder het plastic elementkapje (naaldbescherming) voor gebruik van de draaitafel.
- 2. Hendel voor Optillen / Neerlaten** – Til de toonarm op en laat deze neer.
- 3. Armklem** – Deze speciaal ontworpen armklem zorgt ervoor dat de toonarm in positie blijft wanneer deze niet wordt gebruikt. De klem is ontworpen om in opwaartse positie te blijven staan wanneer ontgrendeld.

OPMERKING: Bij het transporteren van de draaitafel wordt aangeraden de plastic bescherming over het element te plaatsen om beschadiging van de naald te voorkomen.



- 4. Element en Head shell** – Het element is voormonteerd op een standaard head shell. Het element kan door gebruiker vervangen worden en is compatibel met veel standaardelementen. Zorg ervoor dat het plastic beschermkapje verwijderd wordt vóór ingebruikname van de draaitafel.
- 5. iPod Dock** – Sluit uw iPod aan op deze dock. Zorg ervoor dat uw iPod nauw aansluit om de aansluiting maar oefen geen kracht uit. Voor een juiste passing en stabilere aansluiting gebruikt u eerst de docking-adapter die bij de iPod wordt geleverd. De dock stelt u in staat uw platen rechtstreeks op te nemen naar uw iPod om zo muziek af te spelen via uw iPod door de RCA audio uitgangskabels van de draaitafel. Wanneer verbonden met de docking kan uw iPod worden gesynchroniseerd met uw iTunes-muziekbibliotheek als de iPROFILE via USB op uw PC is aangesloten. De iPROFILE is compatibel met de volgende iPod-modellen:

iPod Model	Afspelen	Opnemen
iPod		
7 ^{de} generatie (Classic)	✓	✓
6 ^{de} generatie (Classic)	✓	✓
5 ^{de} generatie	✓	✓
4 ^{de} generatie	✓	
3 ^{de} generatie*	✓	
1 ^{ste} en 2 ^{de} generatie		
iPod Nano		
4 ^{de} generatie (nano-chromatic)	✓	✓
3 ^{de} generatie	✓	✓
2 ^{de} generatie	✓	✓
1 ^{ste} generatie	✓	
iPod Shuffle		
iPod Mini		
iPod Touch		
2 ^{de} generatie***	✓	✓
1 ^{ste} generatie**	✓	

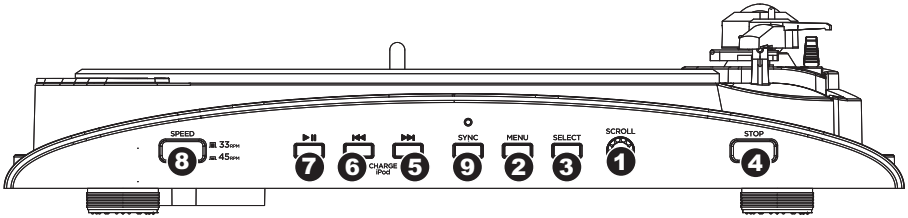
* Op 3^{de} generatie iPod worden alleen toetsen "Play" (afspelen), "Rewind" (terugspoelen) en "Fast Forward" (doorspoelen) ondersteund. Knoppen "Select" (selecteren), "Menu" en "Rec Mode" (opnamemodus) worden niet ondersteund.

** Voor de eerste generatie iPod Touch wordt alleen navigatie van de muziekspeler ondersteund.

*** Op de tweede generatie iPod Touch kunt u opnemen met een opnametoepassing van derden, zoals iProRecorder.

Houd in gedachten dat de draaitafel ook de iPod kan opladen wanneer deze zich in de dock bevindt. Wanneer er niet opgenomen wordt zal de draaitafel automatisch de iPod opladen. Om de beste opnamekwaliteit te waarborgen en te voorkomen dat er ongewenst geluid in uw opnamen sluipt, wordt het opladen van de iPod automatisch uitgeschakeld wanneer u begint met opnemen en weer ingeschakeld wanneer u stopt met opnemen. Het is echter begrijpelijk dat u langere opnamesessies heeft waarbij het noodzakelijk is dat de iPod voor langere tijd opgeladen blijft. Tijdens het opnemen kunt u opladen van de iPod inschakelen door tegelijkertijd << and >> in te drukken. U kunt het opladen op elk moment uitschakelen door opnieuw op << and >> te drukken.

OVERZICHT VOORPANEEL



De volgende knoppen (1-7) kunnen gebruikt worden om direct vanaf de draaitafel door menu's en kenmerken van uw iPod te bladeren.

1. **Scroll** – Deze knop fungeert als regelaar voor het draaiwiel op uw iPod.
2. **Menu** – Deze knop fungeert als de 'Menu'- knop op uw iPod.
3. **Select** – Deze knop werkt als commando 'Select' op uw iPod.
4. **Stop** – Druk op deze knop om het afspeLEN te stoppen.
5. **>>|** – Werkt als de knop '>>|' op uw iPod.
6. **|<<** – Werkt als de knop '|<<' op uw iPod.
7. **>||** – Werkt als de knop '>||' op uw iPod.

OPMERKING: Houdt in gedachten dat het gelijktijdig indrukken van |<< en >>| tijdens opname het opladen van de iPod zal inschakelen. Druk deze toetsen opnieuw in om het opladen van de iPod uit te schakelen.

8. **33 en 45 RPM knoppen** – Deze knoppen controleren het toerental (RPM) van het plateau van de draaitafel.
9. **Sync** – Wanneer uw iPod is verbonden met de docking, en iPROFILE is aangesloten op uw PC via USB, houdt u deze knop twee seconden ingedrukt om uw iPod te laten synchroniseren met de iTunes-bibliotheek op de PC. Na afronding wordt de iPod uit de iTunes-interface gehaald. Verwijder de iPod uit de docking of ontkoppel de USB-kabel nadat de iPod veilig is losgekoppeld van de PC. (**WAARSCHUWING:** Het niet juist uitwerpen van de iPod kan leiden tot gegevensverlies of beschadiging van de speler). Nadat de iPod veilig is uitgeworpen, kan de iPod opnieuw worden aangesloten op de draaitafel door de sync-knop opnieuw in te drukken en weer twee seconden ingedrukt te houden of de iPod uit te werpen en deze weer terug te plaatsen in de docking.

OPNEMEN NAAR UW iPod

Volg onderstaande instructies voor het rechtstreeks opnemen van muziek naar uw iPod. Houd in gedachten dat uw iPod zowel geluid van de draaitafel als geluid dat doorkomt via de 1/8" stereo hulpfunctionarisseningang opneemt.

Het is mogelijk op te nemen naar uw iPod zonder aangesloten audio-aansluitingen. We raden u echter aan de audio-uitgangen aan te sluiten (RCA of USB) op een speakersysteem zodat u de opnamen kunt monitoren.

1. Plaats uw iPod in de dock, waarbij u ervoor zorgt dat het strak over de connector past. Afhankelijk van het model iPod kan het nodig zijn de Universele Dock Adapter die bij de iPod geleverd is te gebruiken.
2. Plaats een plaat op het plateau en ga naar de muziek die u wilt opnemen.
3. Schakel naar de opnamemodus van de iPod door vanuit het hoofdmenu te navigeren naar **Extras ▶ Voice Memos**.
4. De toonarm van de draaitafel wordt met de hiervoor bestemde hendel opgetild en de naald wordt aan het begin geplaatst van het nummer dat u wilt opnemen.
5. Wanneer u klaar bent om op te nemen drukt u op de knop **Select** om te beginnen met het opnemen naar uw iPod.
6. Laat de toonarm zakken met de hendel voor optillen/laten zakken om het nummer af te spelen.
7. Wanneer u de opname wilt beëindigen, stopt u de draaitafel.
8. Daarna gebruikt u knop **Scroll** om 'Stop and Save' te selecteren en drukt u op **Select**.

Wanneer u klaar bent kunt zien waar de staat door te navigeren naar **Extras ▶ Voice Memos**. Uw opnamen zijn te herkennen aan de sluiting en tijd waarop de opname afgerond werd.

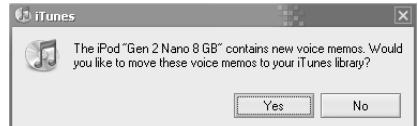
BELANGRIJK: Het wordt niet aanbevolen de opnamen direct vanaf de iPod te hernoemen. Wanneer u de bestandsnaam wijzigt kan het voorkomen dat het bestand niet meer door de iPod te benaderen is. Wanneer u de opname wilt hernoemen kunt u deze het best overzetten naar de computer, hernoemen en opnieuw importeren naar de iTunes-bibliotheek als AAC- of MP3-bestand.

SYNCHRONISATIE VAN UW iPod VIA DE DRAAITAFEL

Uw iPod kan rechtstreeks vanaf de draaitafel gesynchroniseerd worden met uw iTunes. Volg de instructies hieronder om de verbinding te maken.

1. Zorg ervoor dat uw draaitafel aangesloten is op uw computer met de bijgeleverde USB-kabel (voor Windows gebruikers: wanneer u de draaitafel voor het eerst aansluit, laat dan de computer automatisch de benodigde stuurprogramma's initialiseren. Ga door wanneer het bericht "De nieuwe hardware is geïnstalleerd en klaar voor gebruik" aan de onderzijde van het scherm zichtbaar wordt).
2. Laad de iPod in de docking, druk de Sync-knop in en houd deze 2 seconden ingedrukt. Wanneer de iPod verbinding maakt met de computer wordt "Do Not Disconnect" weergegeven op het scherm van uw iPod. **VERWIJDER UW iPod NIET UIT DE DOCK ZO LANG "DO NOT DISCONNECT" WORDT WEERGEGEVEN EN VOORDAT U DE iPod OP JUISTE WIJZE UIT DE COMPUTER VERWIJDERT! U KUNT ANDERS UW iPod BESCHADIGEN EN DE INHOUD ERVAN VERNIETIGEN!**
3. Nadat uw iPod juist aangesloten is op uw computer zou iTunes automatisch gestart moeten worden (voor PC gebruikers: wanneer u iTunes nog niet geïnstalleerd heeft kunt u de bij de draaitafel geleverde CD hiervoor gebruiken. Volg de instructies op het scherm voor installatie van de applicatie).
4. Wanneer u nieuwe opnamen hebt gemaakt sinds de laatste keer dat uw iPod aangesloten is geweest op de computer zult u het volgende scherm zien:

Selecteer 'Yes' wanneer u de opnamen wilt verplaatsen (die Voice memo's worden genoemd) naar uw iTunes-bibliotheek.

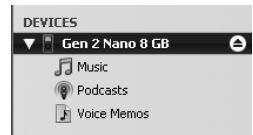


Zolang uw iPod in de dock zit en gesynchroniseerd is met de computer kunt u muziek van en naar de iPod overzetten op dezelfde manier als wanneer deze direct op de computer is aangesloten.

U kunt zelfs naar muziek luisteren die op de computer staat via de RCA audio-uitgang van de draaitafel!

BELANGRIJK: OM UW iPod VEILIG LOS TE KOPPELEN VAN UW COMPUTER GEBRUIKT U DAARVOOR DE KNOP 'EJECT' OP DE iPod.

OPMERKING: Wanneer u de iPod loskoppelt van uw computer, dient u knop Sync opnieuw twee seconden ingedrukt te houden wanneer u de iPod wilt blijven gebruiken met de iPROFILE.



PROBLEEMOPLOSSING

Raadpleeg de volgende probleemoplossingen wanneer u moeilijkheden ondervindt bij het opnemen van uw platen naar uw iPod of computer.

PROBLEEM	OORZAAK	OPLOSSING
Ik hoor geen geluid wanneer ik aan het opnemen ben.	Naald staat niet op de plaat.	Plaats de naald op de plaat.
	Draaitafel heeft geen stroom.	Zorg ervoor dat de draaitafel aangesloten is op een actief stopcontact en dat deze is ingeschakeld.
	RCA-uitgangen niet aangesloten op speakersysteem.	Zorg ervoor dat de RCA-uitgangen van de draaitafel aangesloten zijn op een speakersysteem en dat het speakersysteem is ingeschakeld.
De geluidskwaliteit is slecht.	Aansluiting van het element is niet in orde.	Element dient stevig bevestigd te zijn aan de toonarm wanneer de draaitafel in gebruik is.
	Vinyl plaat is vuil of beschadigd.	Stof de plaat af en veeg het oppervlak voorzichtig schoon voordat de plaat afgespeeld wordt.
	iPod wordt opgeladen tijdens opname.	Om maximale geluidskwaliteit te waarborgen dient het opladen van de iPod uitgeschakeld te worden tijdens opnemen. Wanneer u deze optie ingeschakeld heeft kunt u deze uitschakelen door tegelijk op << en >> te drukken.
Bij het opnemen van platen naar de computer klinkt de opname hard en vervormd.	Het volume niveau is te hoog ingesteld.	Draai de volume knop naar een lagere stand.
Bij het opnemen van platen naar de computer is deze nauwelijks te horen.	Het volume niveau is te laag ingesteld.	Draai de volume knop naar een hogere stand.
Ik kan mijn opnamen niet beluisteren wanneer ik ze vanaf de computer afspeel.	Geluidsuitgang van de computer is niet juist ingesteld.	Zorg ervoor dat de afspeelopties voor geluid juist geconfigureerd zijn op één van de volgende manieren: <ul style="list-style-type: none"> In Windows gaat u naar Start ► Configuratiescherm ► Geluiden en geluidsapparaten (in Windows XP) of Start ► Configuratiescherm ► Geluid (in Windows Vista) en u zorgt ervoor dat de geluidskaart van de computer is geselecteerd als afspeelapparaat voor geluid onder tab Geluid. U kunt ook geluid van uw computer afspelen via de RCA geluidsuitgangen van de draaitafel. Selecteer "USB Audio Codec" als afspeelapparaat en geluid van de computer wordt via de RCA-uitgangen van de draaitafel afgespeeld.
Wanneer de draaitafel is aangesloten kan ik niet naar het geluid van de computer luisteren.		
Bij het opnemen van platen naar mijn computer met Windows Vista zijn de opnamen mono in plaats van stereo.	Ingangseigenschappen voor opname onder Vista zijn niet ingesteld op "stereo".	In Vista kan het nodig zijn handmatig "stereo" te selecteren voor opnemen. Ga naar Start ► Configuratiescherm ► Geluid (in Klassieke weergave). Klik op tab Opnemen en kies Microfoon-ingang (USB Audio Codec) . Klik op Eigenschappen om de inganginstellingen te laten zien. Klik hiera op tab Geavanceerd en selecteer "2 kanalen, 16 bit, 44100 Hz (CD-kwaliteit)" in het keuzemenu Standaard opmaak . Als laatste klikt u op Toepassen om de instellingen te bevestigen.
Ik kan niet opnemen naar mijn iPod.	iPod zit niet goed in de dock.	Zorg ervoor dat de iPod juist aangesloten is op de dock. Gebruik van de Universele docking-adaptor, die wordt meegeleverd met de iPod, wordt aanbevolen.
	iPod is gesynchroniseerd met de computer.	U zult niet in staat zijn op te nemen naar de iPod zolang deze gesynchroniseerd is met de computer via de USB-aansluiting. Laat de iPod uitwerpen van de PC en houd knop Sync op de draaitafel twee seconden ingedrukt om deze opnieuw te verbinden.
	De iPod staat niet in Opnamemodus (Voice Memo).	Zorg ervoor dat de iPod zich in Opnamemodus bevindt. Navigeer in de iPod naar Extras ► Voice Memos . Druk hiera op Select op de draaitafel om met opnemen te beginnen.
De draaitafel draait niet rond.	De aandrijfriem is losgeraakt.	Plaats de toonarm terug in rustpositie om de motor van de draaitafel te stoppen. Draai daarna de draaitafel tot de as van de motor zichtbaar is in één van de gaten. Trek via dit gat de rubberen aandrijfriem van de binnenste ring en leg deze over de motor-as. Zorg ervoor dat de aandrijfriem bij deze stap niet gedraaid wordt. Controleer of de schijf goed draait. Bij een juiste installatie van de aandrijfriem ondervindt de schijf een lichte weerstand waardoor draaischijf na een aantal omwentelingen tot stilstand komt.
Mijn muziek speelt af op een vreemde toonhoogte	Onjuiste snelheid geselecteerd op de draaitafel.	Zorg ervoor dat u uw platen op dezelfde snelheid afspeelt als die waarvoor deze bedoeld zijn. Selecteer één van de twee snelheden door te drukken op 33RPM of 45RPM .

Voor technische ondersteuning wordt u verzocht VÓÓR RETOURNERING VAN HET PRODUCT contact te zoeken met ION Audio of uw verkooppunt. Contactinformatie vindt u in de Veiligheidsinstructies die bij het product geleverd worden.

www.ion-audio.com

Free Manuals Download Website

<http://myh66.com>

<http://usermanuals.us>

<http://www.somanuals.com>

<http://www.4manuals.cc>

<http://www.manual-lib.com>

<http://www.404manual.com>

<http://www.luxmanual.com>

<http://aubethermostatmanual.com>

Golf course search by state

<http://golfingnear.com>

Email search by domain

<http://emailbydomain.com>

Auto manuals search

<http://auto.somanuals.com>

TV manuals search

<http://tv.somanuals.com>