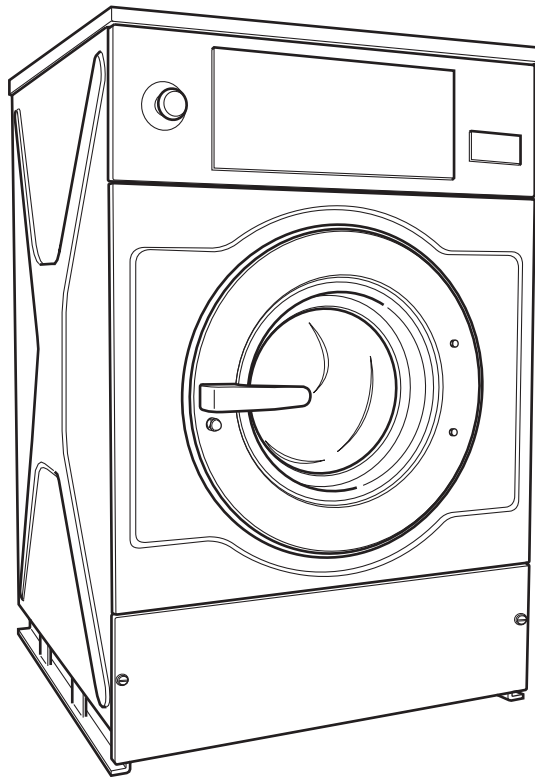


# On-Premise Laundry Planning Handbook



CHM2097N

## IHC Washer-Extractors

Refer to Installation manual for full instructions.



# Table of Contents

<b>Washer-Extractors</b> .....	2
Introduction .....	2
Model Identification - IHC Washer-Extractors .....	2
Specifications and Dimensions - Model IHC012 .....	3
Specifications and Dimensions - Model IHC018 .....	7
Specifications and Dimensions - Model IHC025 .....	11
Specifications and Dimensions - Model IHC030 .....	15
Specifications and Dimensions - Model IHC035 .....	19
Installation - IHC Models .....	23

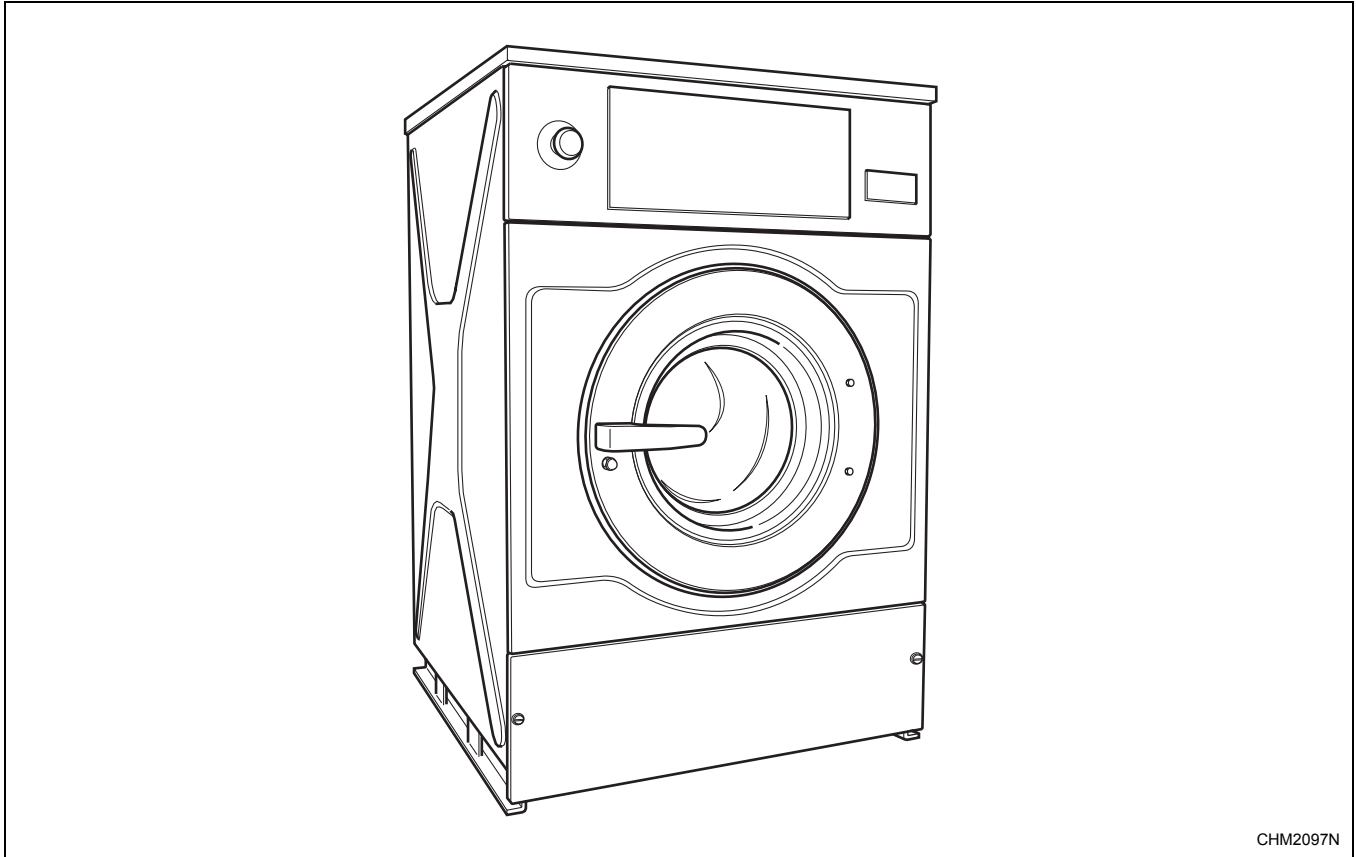
© Published by permission of the copyright owner.

All rights reserved. No part of the contents of this book may be reproduced or transmitted in any form or by any means without the expressed written consent of the publisher.

# Washer-Extractors

## Introduction

### Model Identification - IHC Washer-Extractors



CHM2097N

Figure 1

IHC012	IHC025	IHC035
IHC018	IHC030	

## Washer-Extractors

### Specifications and Dimensions - Model IHC012

<b>Capacity (dry weight) Ratio (kg/l)</b>	
1:11	11.02 lb. (5 kg)
1:10	12.13 lb. (5.5 kg)
1:9	13.45 lb. (6.1 kg)
<b>Cylinder</b>	
Cylinder diameter, in. (mm)	20.87 (530)
Cylinder depth, in. (mm)	9.84 (250)
Cylinder volume, ft. <sup>3</sup> (l)	1.94 (55)
<b>Cabinet</b>	
Overall height, in. (mm)	40.87 (1038)
Overall width, in. (mm)	25.98 (660)
Overall depth, in. (mm)	22.64 (575)
<b>Front Loading</b>	
Door opening size, in. (mm)	11.81 (300)
Height of door bottom above floor, in (mm)	10.98 (279)
Height of door center above floor, in (mm)	19.88 (505)
<b>Speed</b>	
Wash	10-50 tr/min - RPM
Distribution	85 tr/min - RPM
Spin	250-1250 tr/min - RPM
<b>G-factor</b>	
High Spin	462
<b>Motor (3 phase), 4p, 1470 tr/min</b>	0.74 HP/0.55 kW
<b>Drain Valve, in. (mm)</b>	2 (51)
<b>Water Supply (hard, soft, warm water), in. (mm)</b>	.75 (19)
<b>Direct Steam Heating</b>	
Steam inlet connection size, in. (mm)	Not Applicable
<b>Electrical</b>	
Electrical Heating (230/400 V)	4.2 kW
Electrical Heating (400V)	6 kW
Steam	Not Applicable
Warm Water (without additional heating)	Not Applicable
Warm Water (with additional heating)	Not Applicable
<b>Packing Dimensions (height X width X depth), in. (mm)</b>	44.88 X 29.13 X 33.07 (1140 X 740 X 840)
<b>Weight</b>	
Net weight, lb. (kg)	405.65 (184)
Gross weight, lb. (kg)	436.52 (198)

Machine Dimensions - Model IHC012

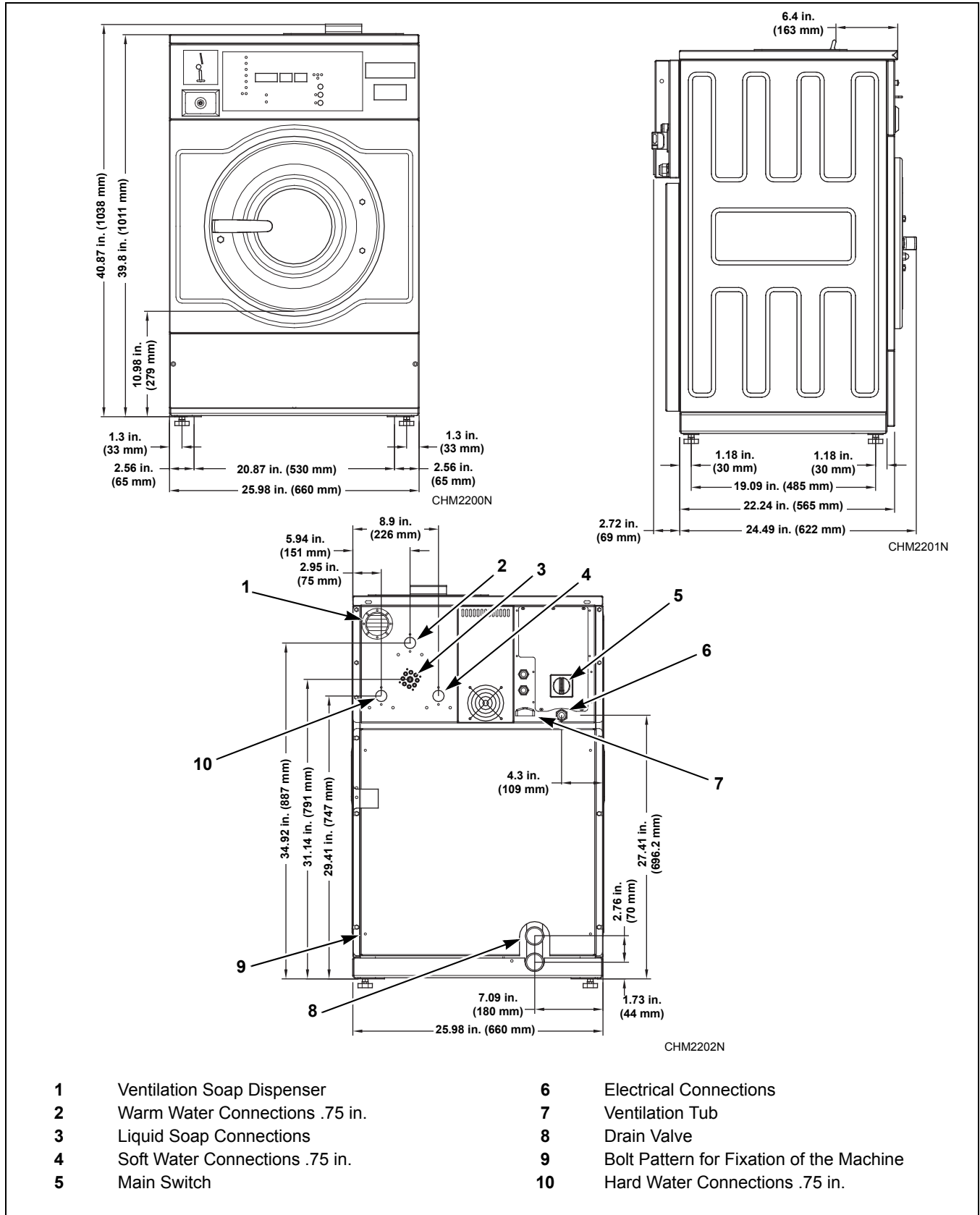


Figure 2

Mounting Bolt Hole Locations - Model IHC012

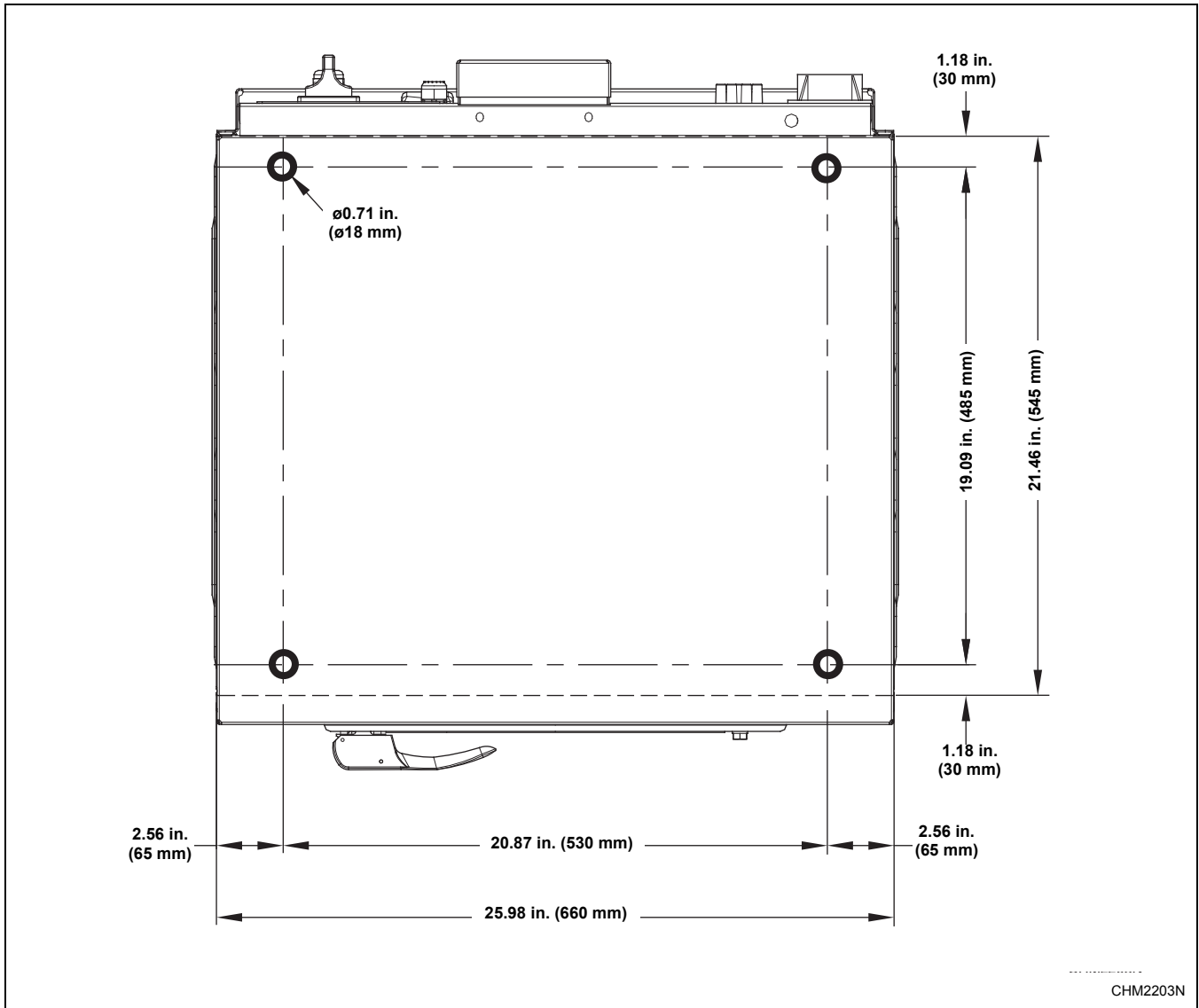



Figure 3

	<b>WARNING</b>
<p>Only trained personnel should perform this procedure. Use caution while servicing machines with covers removed and power applied.</p>	
W700	

**Electrical Installation Requirements - Model IHC012**

					Boiler Fed/Steam Heat			Electric Heat					
Code	Voltage	Cycle	Phase	Wire	Full Load Amps	Recommended Circuit Breaker (US-market)		AWG/mm <sup>2</sup>	KW Standard Heating Elements	Full Load Amps	Recommended Circuit Breaker (US-market)		AWG/mm <sup>2</sup>
						US	NON-US				US	NON-US	
N	440-480	50/60	3	3+PE	3	10	10	14/2.5	3x2 kW	N/A	N/A	N/A	N/A
P	380-415	50/60	3	3+N+PE	7	15	16	14/2.5		16	20	20	12/4.0
Q	200-240	50/60	3	3+PE	7	15	16	14/2.5		23	30	32	10/6.0
X	200-240	50/60	1/3	2/3+PE	7	15	16	14/2.5		N/A	N/A	N/A	N/A
									Alternative Electric Heat Options				
N	440-480	50/60	3	3+PE				3x1.4 kW	N/A	N/A	N/A	N/A	
P	380-415	50/60	3	3+N+PE					13	15	16	14/2.5	
Q	200-240	50/60	3	3+PE					18	20	20	12/4.0	
X	200-240	50/60	1/3	2/3+PE					N/A	N/A	N/A	N/A	

Table 1

## Washer-Extractors

### Specifications and Dimensions - Model IHC018

<b>Capacity (dry weight) Ratio (kg/l)</b>	
1:11	15.21 lb. (6.9 kg)
1:10	16.76 lb. (7.6 kg)
1:9	18.52 lb. (8.4 kg)
<b>Cylinder</b>	
Cylinder diameter, in. (mm)	20.87 (530)
Cylinder depth, in. (mm)	13.58 (345)
Cylinder volume, ft. <sup>3</sup> (l)	2.68 (76)
<b>Cabinet</b>	
Overall height, in. (mm)	40.87 (1038)
Overall width, in. (mm)	25.98 (660)
Overall depth, in. (mm)	29.09 (739)
<b>Front Loading</b>	
Door opening size, in. (mm)	11.81 (300)
Height of door bottom above floor, in (mm)	10.98 (279)
Height of door center above floor, in (mm)	19.88 (505)
<b>Speed</b>	
Wash	10-50 tr/min - RPM
Distribution	85 tr/min - RPM
Spin	250-1000 tr/min - RPM
<b>G-factor</b>	
High Spin	296
<b>Motor (3 phase), 4p, 1470 tr/min</b>	1.01 HP/0.75 kW
<b>Drain Valve, in. (mm)</b>	2 (51)
<b>Water Supply (hard, soft, warm water), in. (mm)</b>	.75 (19)
<b>Direct Steam Heating</b>	
Steam inlet connection size, in. (mm)	.38 (10)
<b>Electrical</b>	
Electrical Heating (230/400 V)	4.2 kW - 6 kW - 9 kW
Electrical Heating (400V)	12 kW
Steam	Not Applicable
Warm Water (without additional heating)	Not Applicable
Warm Water (with additional heating)	Not Applicable
<b>Packing Dimensions (height X width X depth), in. (mm)</b>	44.88 X 29.13 X 33.07 (1140 X 740 X 840)
<b>Weight</b>	
Net weight, lb. (kg)	465.18 (211)
Gross weight, lb. (kg)	513.68 (233)



Machine Dimensions - Model IHC018

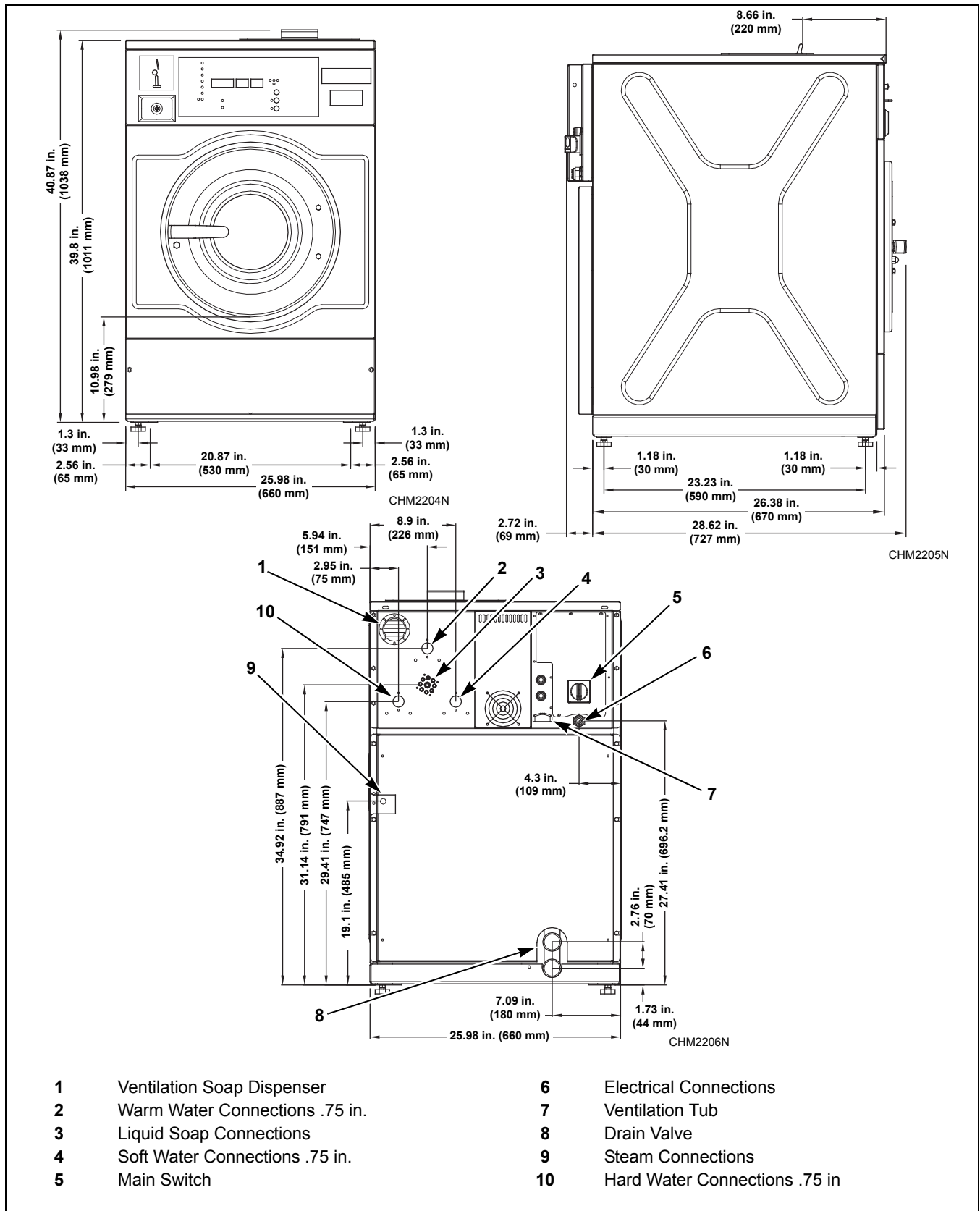


Figure 4

Mounting Bolt Hole Locations - Model IHC018

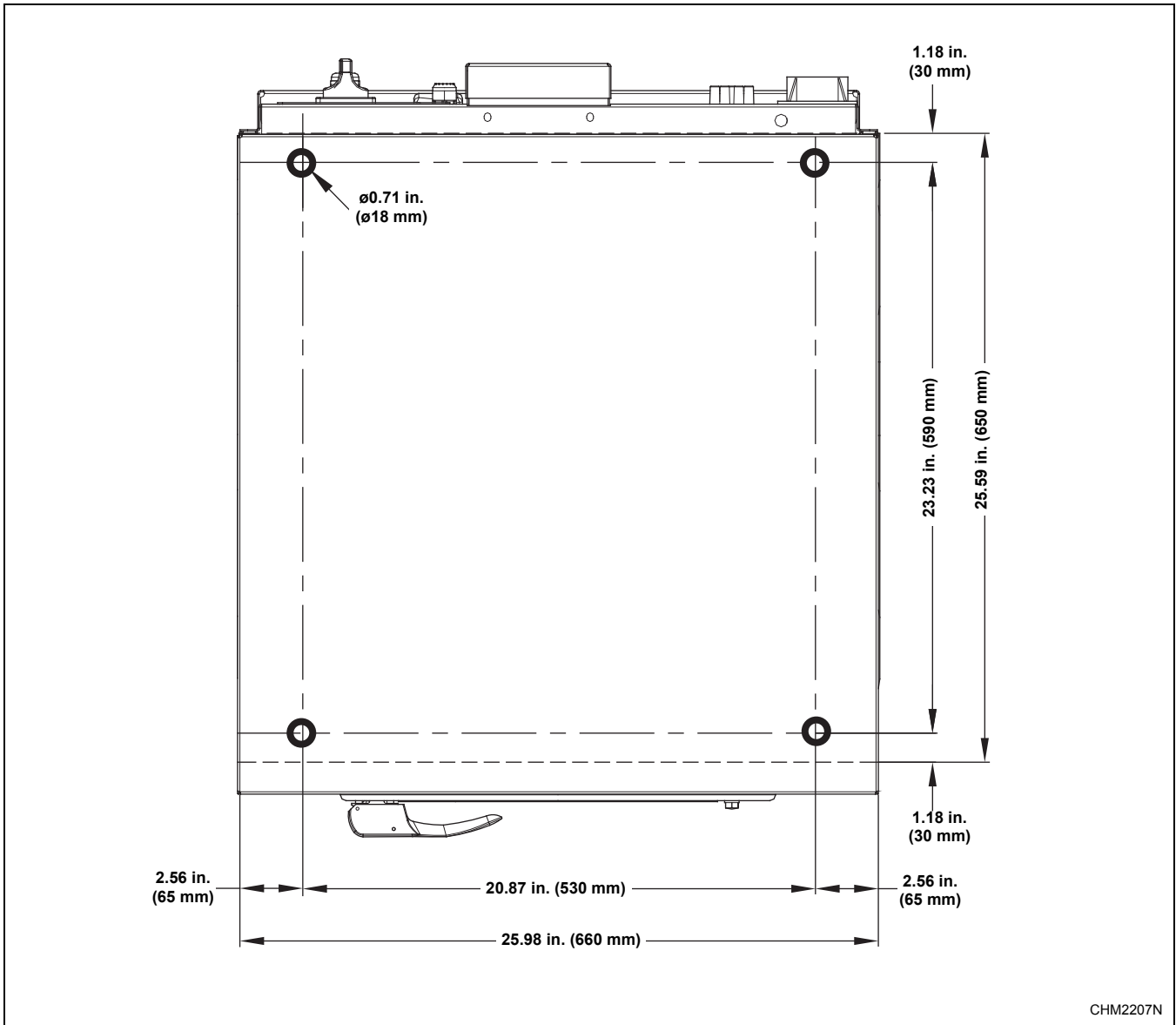



Figure 5

	<b>WARNING</b>
<p><b>Only trained personnel should perform this procedure. Use caution while servicing machines with covers removed and power applied.</b></p>	
W700	

**Electrical Installation Requirements - Model IHC018**

					Boiler Fed/Steam Heat			Electric Heat					
Code	Voltage	Cycle	Phase	Wire	Full Load Amps	Recommended Circuit Breaker (US-market)		AWG/mm <sup>2</sup>	KW Standard Heating Elements	Full Load Amps	Recommended Circuit Breaker (US-market)		AWG/mm <sup>2</sup>
						US	NON-US				US	NON-US	
N	440-480	50/60	3	3+PE	4	10	10	14/2.5	3x2 kW	N/A	N/A	N/A	N/A
P	380-415	50/60	3	3+N+PE	12	15	16	14/2.5		21	30	25	10/6.0
Q	200-240	50/60	3	3+PE	12	15	16	14/2.5		27	30	32	10/6.0
X	200-240	50/60	1/3	2/3+PE	12	15	16	14/2.5		N/A	N/A	N/A	N/A
									Alternative Electric Heat Options				
N	440-480	50/60	3	3+PE					3x1.4 kW	N/A	N/A	N/A	N/A
P	380-415	50/60	3	3+N+PE						18	20	20	12/4.0
Q	200-240	50/60	3	3+PE						23	30	25	10/6.0
X	200-240	50/60	1/3	2/3+PE						N/A	N/A	N/A	N/A
N	440-480	50/60	3	3+PE					3x3 kW	N/A	N/A	N/A	N/A
P	380-415	50/60	3	3+N+PE						25	30	32	10/6.0
Q	200-240	50/60	3	3+PE						35	40	40	8/10.0
X	200-240	50/60	1/3	2/3+PE						N/A	N/A	N/A	N/A
N	440-480	50/60	3	3+PE					3x4 kW	21	30	25	10/6.0
P	380-415	50/60	3	3+N+PE						29	40	32	8/10.0
Q	200-240	50/60	3	3+PE						N/A	N/A	N/A	N/A
X	200-240	50/60	1/3	2/3+PE						N/A	N/A	N/A	N/A

Table 2

## Washer-Extractors

### Specifications and Dimensions - Model IHC025

<b>Capacity (dry weight) Ratio (kg/l)</b>	
1:11	18.96 lb. (8.6 kg)
1:10	20.94 lb. (9.5 kg)
1:9	23.15 lb. (10.5 kg)
<b>Cylinder</b>	
Cylinder diameter, in. (mm)	20.87 (530)
Cylinder depth, in. (mm)	17.32 (440)
Cylinder volume, ft. <sup>3</sup> (l)	3.35 (95)
<b>Cabinet</b>	
Overall height, in. (mm)	40.87 (1038)
Overall width, in. (mm)	25.98 (660)
Overall depth, in. (mm)	33.03 (839)
<b>Front Loading</b>	
Door opening size, in. (mm)	11.81 (300)
Height of door bottom above floor, in (mm)	10.98 (279)
Height of door center above floor, in (mm)	19.88 (505)
<b>Speed</b>	
Wash	10-50 tr/min - RPM
Distribution	85 tr/min - RPM
Spin	250-1000 tr/min - RPM
<b>G-factor</b>	
High Spin	296
<b>Motor (3 phase), 4p, 1470 tr/min</b>	1.01 HP/0.75 kW
<b>Drain Valve, in. (mm)</b>	2 (51)
<b>Water Supply (hard, soft, warm water), in. (mm)</b>	.75 (19)
<b>Direct Steam Heating</b>	
Steam inlet connection size, in. (mm)	.38 (10)
<b>Electrical</b>	
Electrical Heating (230/400 V)	4.2 kW - 6kW - 9 kW
Electrical Heating (400V)	12 kW
Steam	Not Applicable
Warm Water (without additional heating)	Not Applicable
Warm Water (with additional heating)	Not Applicable
<b>Packing Dimensions (height X width X depth), in. (mm)</b>	49.21 X 29.13 X 37.40 (1250 X 740 X 950)
<b>Weight</b>	
Net weight, lb. (kg)	520.29 (236)
Gross weight, lb. (kg)	568.79 (258)

Machine Dimensions - Model IHC025

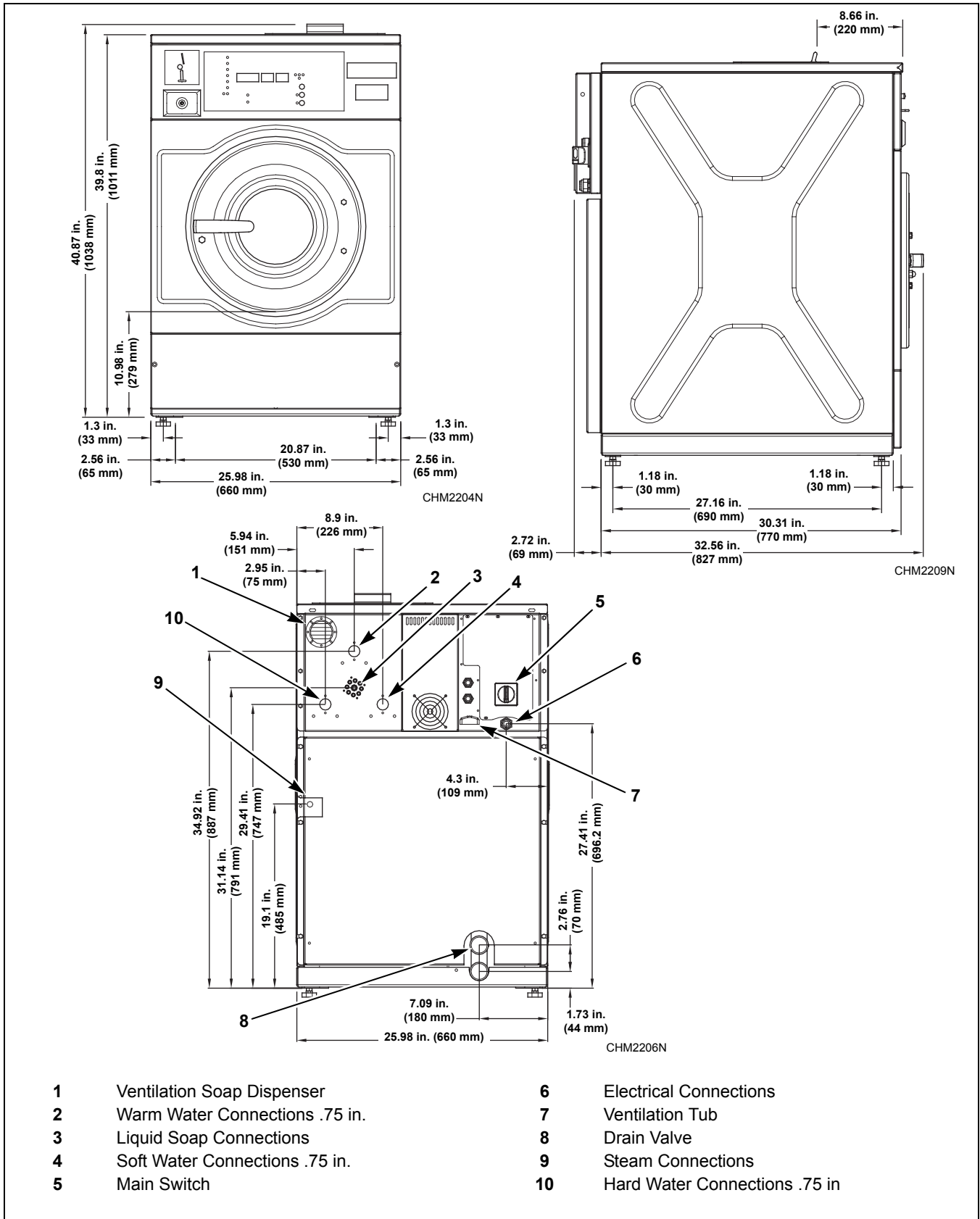


Figure 6

Mounting Bolt Hole Locations - Model IHC025

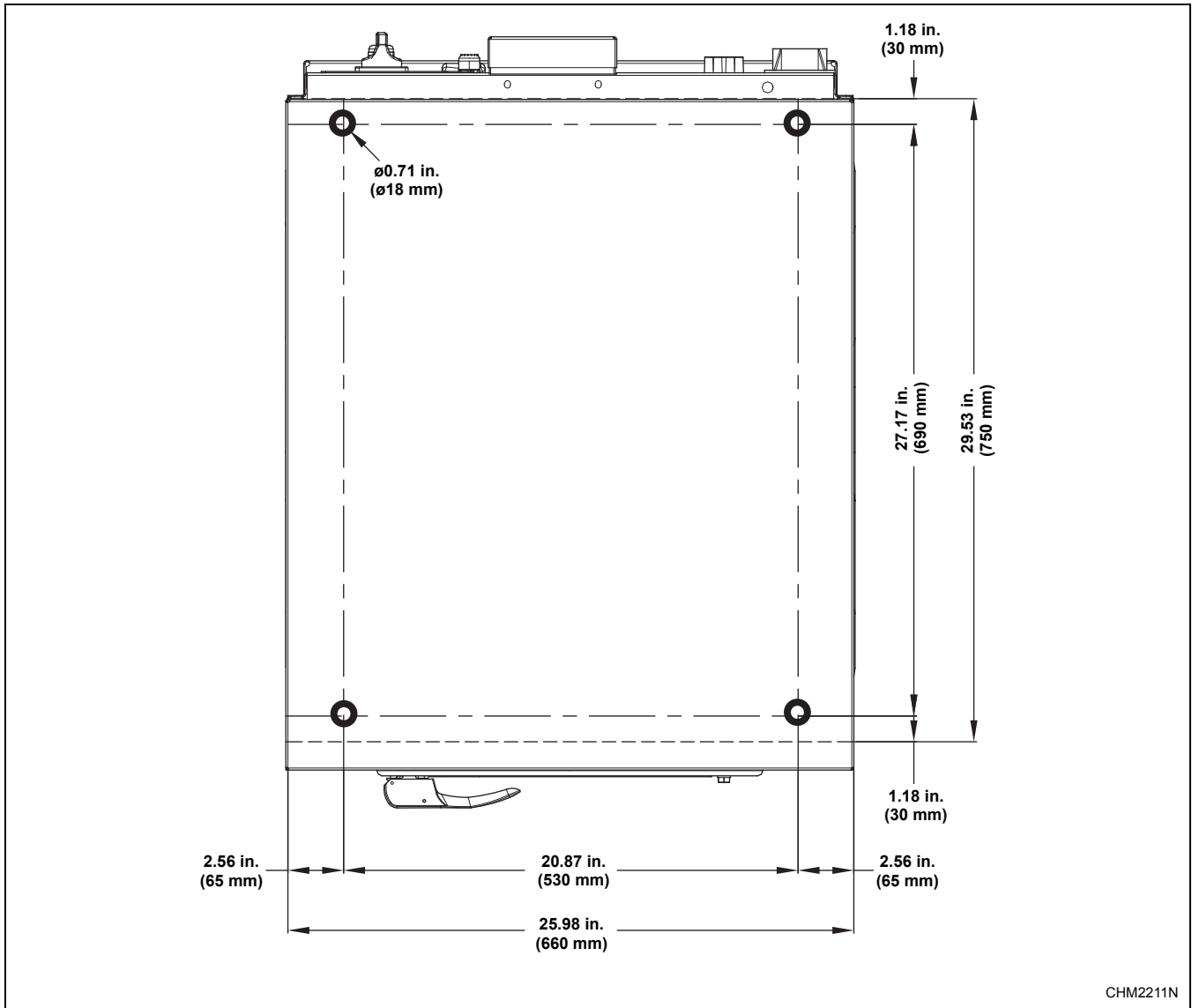



Figure 7

	<b>WARNING</b>
<p><b>Only trained personnel should perform this procedure. Use caution while servicing machines with covers removed and power applied.</b></p>	
W700	

**Electrical Installation Requirements - Model IHC025**

					Boiler Fed/Steam Heat			Electric Heat													
Code	Voltage	Cycle	Phase	Wire	Full Load Amps	Recommended Circuit Breaker (US-market)		AWG/mm <sup>2</sup>	KW Standard Heating Elements	Full Load Amps	Recommended Circuit Breaker (US-market)		AWG/mm <sup>2</sup>								
						US	NON-US				US	NON-US									
N	440-480	50/60	3	3+PE	4	10	10	14/2.5	3x2 kW	N/A	N/A	N/A	N/A								
P	380-415	50/60	3	3+N+PE	12	15	16	14/2.5		21	30	25	10/6.0								
Q	200-240	50/60	3	3+PE	12	15	16	14/2.5		27	30	32	10/6.0								
X	200-240	50/60	1/3	2/3+PE	12	15	16	14/2.5		N/A	N/A	N/A	N/A								
									Alternative Electric Heat Options												
N	440-480	50/60	3	3+PE					3x1.4 kW	N/A	N/A	N/A	N/A								
P	380-415	50/60	3	3+N+PE						18	20	20	12/4.0								
Q	200-240	50/60	3	3+PE						23	30	25	10/6.0								
X	200-240	50/60	1/3	2/3+PE						N/A	N/A	N/A	N/A								
N	440-480	50/60	3	3+PE									3x3 kW	N/A	N/A	N/A	N/A				
P	380-415	50/60	3	3+N+PE										25	30	32	10/6.0				
Q	200-240	50/60	3	3+PE										35	40	40	8/10.0				
X	200-240	50/60	1/3	2/3+PE										N/A	N/A	N/A	N/A				
N	440-480	50/60	3	3+PE													3x4 kW	21	30	25	10/6.0
P	380-415	50/60	3	3+N+PE														29	40	32	8/10.0
Q	200-240	50/60	3	3+PE														N/A	N/A	N/A	N/A
X	200-240	50/60	1/3	2/3+PE														N/A	N/A	N/A	N/A

Table 3

## Washer-Extractors

### Specifications and Dimensions - Model IHC030

<b>Capacity (dry weight) Ratio (kg/l)</b>	
1:11	26.46 lb. (12 kg)
1:10	29.10 lb. (13.2 kg)
1:9	31.97 lb. (14.5 kg)
<b>Cylinder</b>	
Cylinder diameter, in. (mm)	25.59 (650)
Cylinder depth, in. (mm)	15.75 (400)
Cylinder volume, ft. <sup>3</sup> (l)	4.66 (132)
<b>Cabinet</b>	
Overall height, in. (mm)	47.32 (1202)
Overall width, in. (mm)	30.71 (780)
Overall depth, in. (mm)	33.15 (842)
<b>Front Loading</b>	
Door opening size, in. (mm)	11.81 (300)
Height of door bottom above floor, in (mm)	14.78 (376)
Height of door center above floor, in (mm)	23.82 (605)
<b>Speed</b>	
Wash	10-50 tr/min - RPM
Distribution	85 tr/min - RPM
Spin	250-1000 tr/min - RPM
<b>G-factor</b>	
High Spin	363
<b>Motor (3 phase), 4p, 1470 tr/min</b>	2.01 HP/1.5 kW
<b>Drain Valve, in. (mm)</b>	2 (51)
<b>Water Supply (hard, soft, warm water), in. (mm)</b>	.75 (19)
<b>Direct Steam Heating</b>	
Steam inlet connection size, in. (mm)	.38 (10)
<b>Electrical</b>	
Electrical Heating (230/400 V)	12 kW - 15 kW - 18 kW
Electrical Heating (400V)	21 kW - 24 kW
Steam	Not Applicable
Warm Water (without additional heating)	Not Applicable
Warm Water (with additional heating)	Not Applicable
<b>Packing Dimensions (height X width X depth), in. (mm)</b>	51.57 X 33.46 X 37.01 (1310 X 850 X 940)
<b>Weight</b>	
Net weight, lb. (kg)	716.50 (325)
Gross weight, lb. (kg)	782.64 (355)



Machine Dimensions - Model IHC030

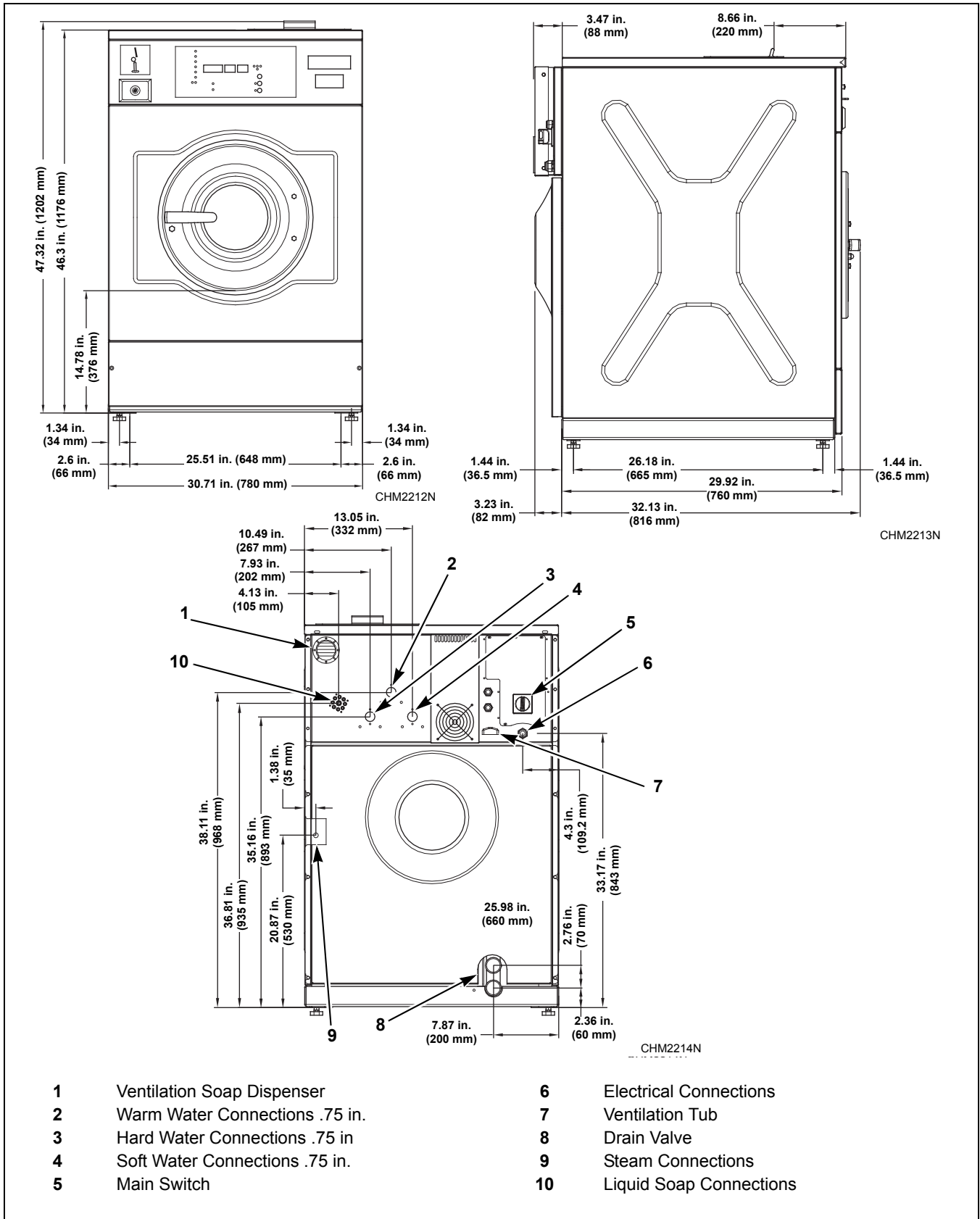
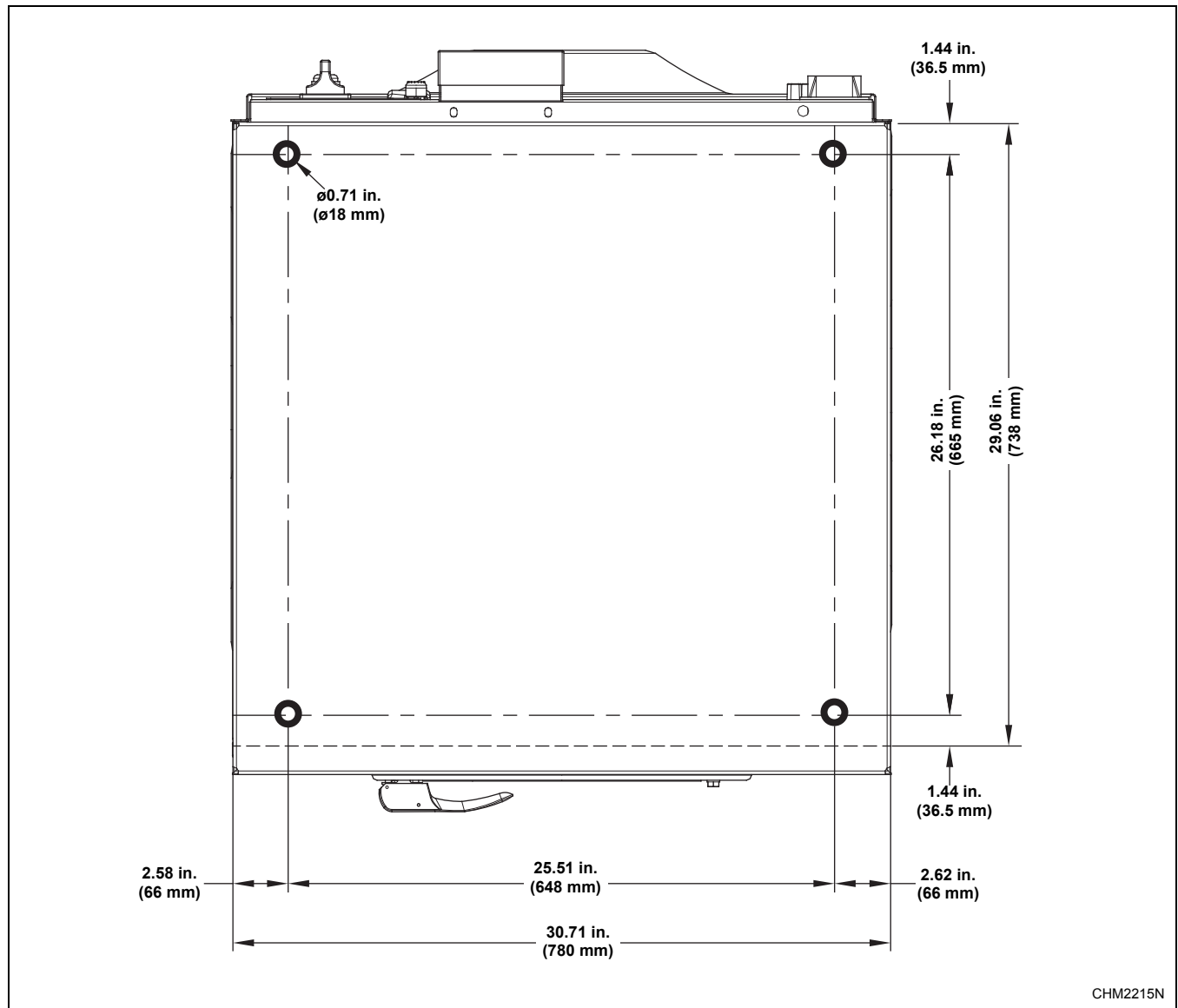



Figure 8

Mounting Bolt Hole Locations - Model IHC030



CHM2215N

Figure 9

	<b>WARNING</b>
<p><b>Only trained personnel should perform this procedure. Use caution while servicing machines with covers removed and power applied.</b></p>	
W700	

**Electrical Installation Requirements - Model IHC030**

					Boiler Fed/Steam Heat			Electric Heat					
Code	Voltage	Cycle	Phase	Wire	Full Load Amps	Recommended Circuit Breaker (US-market)		AWG/mm <sup>2</sup>	kW Standard Heating Elements	Full Load Amps	Recommended Circuit Breaker (US-market)		AWG/mm <sup>2</sup>
						US	NON-US				US	NON-US	
N	440-480	50/60	3	3+PE	6	15	10	14/2.5	6x2 kW	23	30	32	10/6.0
P	380-415	50/60	3	3+N+PE	18	20	20	12/4.0		36	40	40	8/10.0
Q	200-240	50/60	3	3+PE	18	20	20	12/4.0		49	60	60	6/16.0
X	200-240	50/60	1/3	2/3+PE	18	20	20	12/4.0		N/A	N/A	N/A	N/A
									Alternative Electric Heat Options				
N	440-480	50/60	3	3+PE					3x3 kW + 3x2 kW	28	40	40	8/10.0
P	380-415	50/60	3	3+N+PE						40	50	50	8/10.0
Q	200-240	50/60	3	3+PE						56	60	60	6/16.0
X	200-240	50/60	1/3	2/3+PE						56	60	60	6/16.0
N	440-480	50/60	3	3+PE					6x3 kW	32	40	40	8/10.0
P	380-415	50/60	3	3+N+PE						44	50	50	8/10.0
Q	200-240	50/60	3	3+PE						63	70	70	4/25.00
X	200-240	50/60	1/3	2/3+PE						63	70	70	4/25.00
N	440-480	50/60	3	3+PE					3x3 kW + 3x4 kW	36	40	40	8/10.0
P	380-415	50/60	3	3+N+PE						49	60	60	6/16.0
Q	200-240	50/60	3	3+PE						N/A	N/A	N/A	N/A
X	200-240	50/60	1/3	2/3+PE						N/A	N/A	N/A	N/A
N	440-480	50/60	3	3+PE					6x4 kW	41	50	50	8/10.0
P	380-415	50/60	3	3+N+PE						53	60	60	6/16.0
Q	200-240	50/60	3	3+PE						N/A	N/A	N/A	N/A
X	200-240	50/60	1/3	2/3+PE						N/A	N/A	N/A	N/A

Table 4

## Washer-Extractors

### Specifications and Dimensions - Model IHC035

<b>Capacity (dry weight) Ratio (kg/l)</b>	
1:11	33.07 lb. (15 kg)
1:10	36.38 lb. (16.5 kg)
1:9	40.34 lb. (18.3 kg)
<b>Cylinder</b>	
Cylinder diameter, in. (mm)	25.59 (650)
Cylinder depth, in. (mm)	19.69 (500)
Cylinder volume, ft. <sup>3</sup> (l)	5.83 (165)
<b>Cabinet</b>	
Overall height, in. (mm)	47.32 (1202)
Overall width, in. (mm)	30.71 (780)
Overall depth, in. (mm)	37.09 (942)
<b>Front Loading</b>	
Door opening size, in. (mm)	11.81 (300)
Height of door bottom above floor, in (mm)	14.78 (376)
Height of door center above floor, in (mm)	23.82 (605)
<b>Speed</b>	
Wash	10-50 tr/min - RPM
Distribution	85 tr/min - RPM
Spin	250-1000 tr/min - RPM
<b>G-factor</b>	
High Spin	363
<b>Motor (3 phase), 4p, 1470 tr/min</b>	2.01 HP/1.5 kW
<b>Drain Valve, in. (mm)</b>	2 (51)
<b>Water Supply (hard, soft, warm water), in. (mm)</b>	.75 (19)
<b>Direct Steam Heating</b>	
Steam inlet connection size, in. (mm)	.38 (10)
<b>Electrical</b>	
Electrical Heating (230/400 V)	12 kW - 15 kW - 18 kW
Electrical Heating (400V)	21 kW - 24 kW
Steam	Not Applicable
Warm Water (without additional heating)	Not Applicable
Warm Water (with additional heating)	Not Applicable
<b>Packing Dimensions (height X width X depth), in. (mm)</b>	51.57 X 33.46 X 42.52 (1310 X 850 X 1080)
<b>Weight</b>	
Net weight, lb. (kg)	789.25 (358)
Gross weight, lb. (kg)	855.39 (388)

Machine Dimensions - Model IHC035

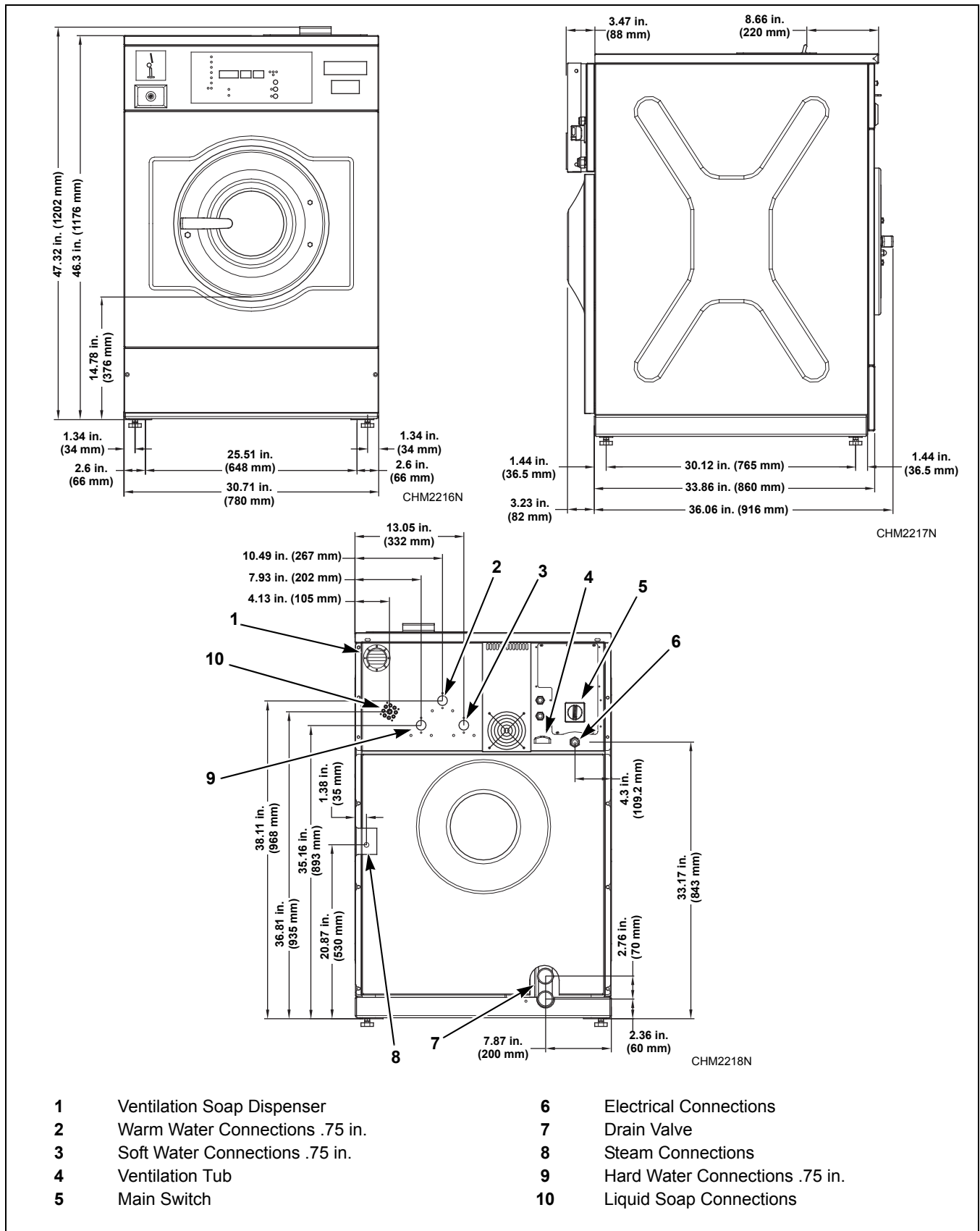


Figure 10

Mounting Bolt Hole Locations - Model IHC035

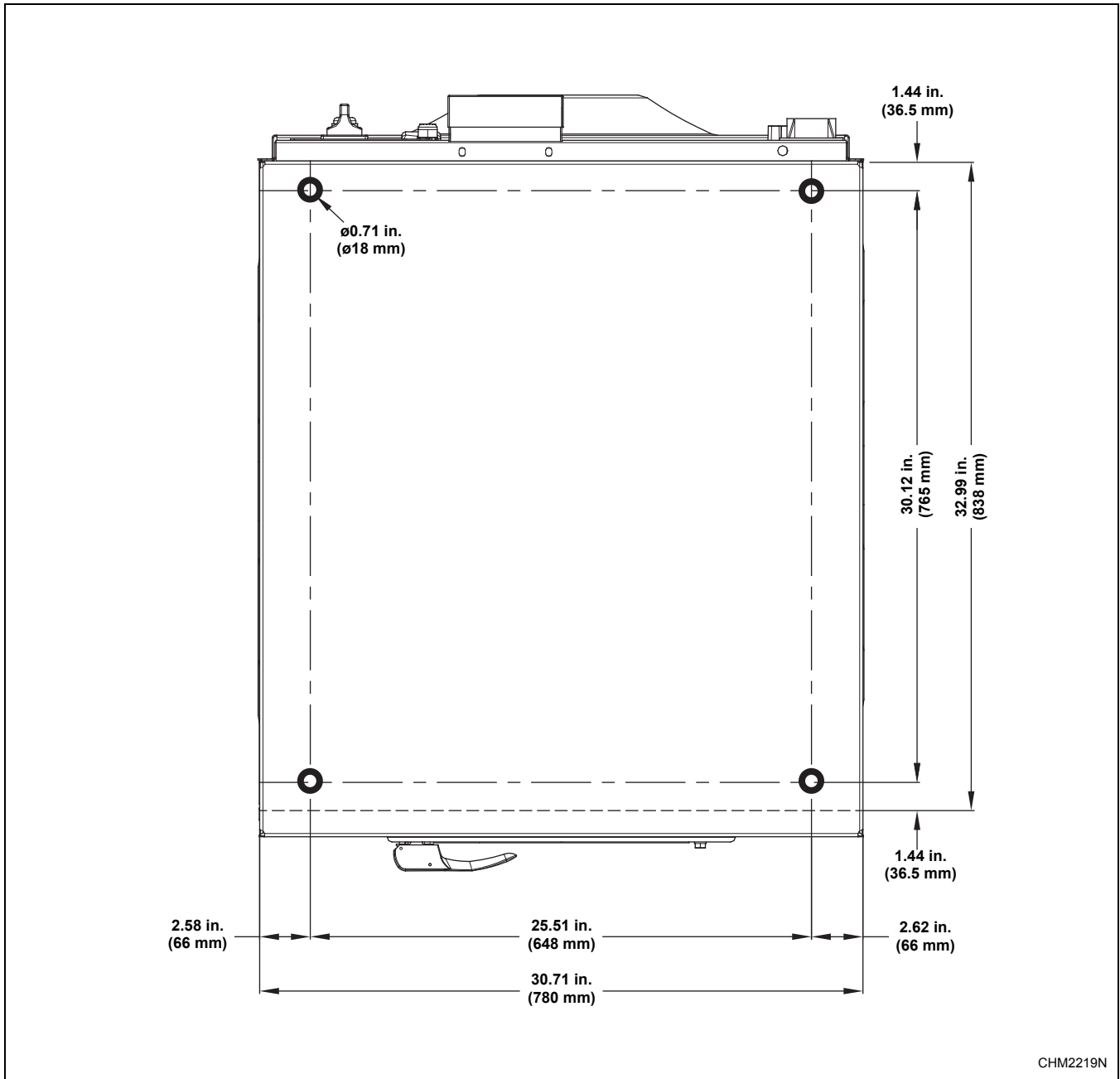



Figure 11


	WARNING
<p><b>Only trained personnel should perform this procedure. Use caution while servicing machines with covers removed and power applied.</b></p>	
W700	

**Electrical Installation Requirements - Model IHC035**

					Boiler Fed/Steam Heat			Electric Heat					
Code	Voltage	Cycle	Phase	Wire	Full Load Amps	Recommended Circuit Breaker (US-market)		AWG/mm <sup>2</sup>	kW Standard Heating Elements	Full Load Amps	Recommended Circuit Breaker (US-market)		AWG/mm <sup>2</sup>
						US	NON-US				US	NON-US	
N	440-480	50/60	3	3+PE	6	15	10	14/2.5	6x3 kW	32	40	40	8/10.0
P	380-415	50/60	3	3+N+PE	18	20	20	12/4.0		44	50	50	8/10.0
Q	200-240	50/60	3	3+PE	18	20	20	12/4.0		63	70	70	4/25.0
X	200-240	50/60	1/3	2/3+PE	18	20	20	12/4.0		63	70	70	4/25.0
									Alternative Electric Heat Options				
N	440-480	50/60	3	3+PE					6x2 kW	23	30	32	10/6.0
P	380-415	50/60	3	3+N+PE						36	40	40	8/10.0
Q	200-240	50/60	3	3+PE						49	60	60	6/16.0
X	200-240	50/60	1/3	2/3+PE						N/A	N/A	N/A	N/A
N	440-480	50/60	3	3+PE					3x3 kW + 3x2 kW	28	40	40	8/10.0
P	380-415	50/60	3	3+N+PE						40	50	50	8/10.0
Q	200-240	50/60	3	3+PE						56	60	60	6/16.0
X	200-240	50/60	1/3	2/3+PE						56	60	60	6/16.0
N	440-480	50/60	3	3+PE					3x3 kW + 3x4 kW	36	40	40	8/10.0
P	380-415	50/60	3	3+N+PE						49	60	60	6/16.0
Q	200-240	50/60	3	3+PE						N/A	N/A	N/A	N/A
X	200-240	50/60	1/3	2/3+PE						N/A	N/A	N/A	N/A
N	440-480	50/60	3	3+PE					6x4 kW	41	50	50	8/10.0
P	380-415	50/60	3	3+N+PE						53	60	60	6/16.0
Q	200-240	50/60	3	3+PE						N/A	N/A	N/A	N/A
X	200-240	50/60	1/3	2/3+PE						N/A	N/A	N/A	N/A

Table 5

## Installation - IHC Models

	<b>CAUTION</b>
<p>Ensure that the machine is installed on a level floor of sufficient strength and that the recommended clearances for inspection and maintenance are provided. Never allow the inspection and maintenance space to be blocked.</p>	
<small>SW020</small>	

### Surface

The machine must be securely fixed on a flat surface (metal base, concrete or solid ground). The anchoring is to be done on the 6 provided places in the holes on the corner of the base. (See Mounting Bolt Hole Locations). Refer to *Figure 12*.

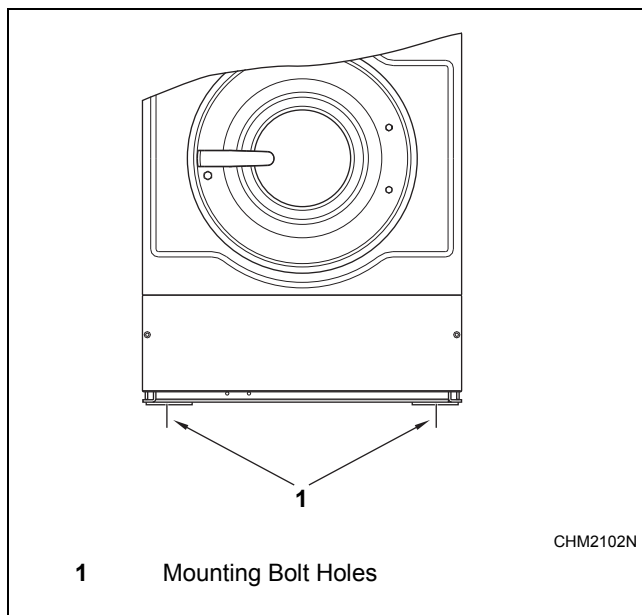


Figure 12

The machine must be placed entirely level. For easy maintenance it is recommended to keep a minimal distance of 23.62 in. (600 mm) between the wall and the back of the machine.

If several machines are placed next to each other, there should be a minimal distance of 1.18 in. (30 mm) between each machine.

**IMPORTANT: The bolt pattern for the fixation of the IHC012 machine is located in the back panel of the cabinet. Put this panel on the floor and mark the holes.**



## Free Manuals Download Website

<http://myh66.com>

<http://usermanuals.us>

<http://www.somanuals.com>

<http://www.4manuals.cc>

<http://www.manual-lib.com>

<http://www.404manual.com>

<http://www.luxmanual.com>

<http://aubethermostatmanual.com>

Golf course search by state

<http://golfingnear.com>

Email search by domain

<http://emailbydomain.com>

Auto manuals search

<http://auto.somanuals.com>

TV manuals search

<http://tv.somanuals.com>