



**IPSO** - USA

---

---

# OWNER'S MANUAL

## 50 lb. DR LAUNDRY DRYER

**Shown with manual double  
timer control system**

**Technical specifications**

**Installation instructions**

**Operating instructions**

**Maintenance**

**DR50**

**IPSO - USA**

3101 South Haven Highway 77, Suite A

Panama City, FL, 32405

Phone: (850)271-8486

**THIS MANUAL MUST BE GIVEN TO THE EQUIPMENT OWNER**

MAN DR2050 (ECN ) 9/99

**D0567**

## **IMPORTANT NOTICES—PLEASE READ**

For optimum efficiency and safety, we recommend that you read the manual before operating the equipment. Store this manual in a file or binder and keep for future reference.



**WARNING:** Purchaser must post the following notice in a prominent location:



**WARNING: For your safety, the information in this manual must be followed to minimize the risk of fire or explosion or to prevent property damage, personal injury or death.**

- **Do not store or use gasoline or other flammable vapors or liquids in the vicinity of this or any other appliance.**

- **WHAT TO DO IF YOU SMELL GAS**

- **Do not try to light any appliance.**
- **Do not touch any electrical switch; do not use any phone in your building.**
- **Clear the room, building, or area of all occupants.**
- **Immediately call your gas supplier from a neighbor's phone. Follow the gas supplier's instructions.**
- **If you cannot reach your gas supplier, call the fire department.**

**Installation and service must be performed by a qualified installer, service agency or the gas supplier.**



**WARNING:** In the event the user smells gas odor, instructions on what to do must be posted in a prominent location. This information can be obtained from the local gas supplier.



**WARNING:** Wear safety shoes to prevent injuries.



**WARNING:** Purchaser must post the following notice in a prominent location:



### **FOR YOUR SAFETY**

**Do not store or use gasoline or other flammable vapors and liquids in the vicinity of this or any other appliance.**



**WARNING:** A clothes dryer produces combustible lint and should be exhausted outside the building. The dryer and the area around the dryer should be kept free of lint.



**WARNING:** Be safe, before servicing machine, the main power should be shut off.

**ATTENTION: L'ACHETEUR DOIT PLACER L'AVERTISSEMENT  
SUIVANT DANS UN ENDROIT CLAIR ET VISIBLE:**

**AVERTISSEMENT.** Assurez-vous de bien suivre les instructions donnees dans cette notice pour reduire au minimum le risque d'incendie ou d'explosion ou pour eviter tuot dommage materiel, toute blessure ou la mort.

\_\_ Ne pas entreposer ni utiliser d'essence ni d'autres vapeurs ou liquides inflammables dans le voisinage de cet appareil ou de tout autre appareil.

\_\_ **QUE FAIRE SI VOUS SENTEZ UNE ODEUR DE GAZ:**

- Ne pas tenter d'allumer d'appareil.
- Ne touchez a aucun interrupteur. Ne pas vous servir des telephones se trouvant dans le batiment ou vous vous trouvez.
- Evacuez la piece, le batiment ou la zone.
- Appelez immediatement votre fournisseur de gaz depuis un voisin. Suivez les instructions du fournisseur.
- Si vous ne pouvez rejoindre le fournisseur de gaz, appelez le service des incendies.

\_\_ l'installation et l'entretien doivent etre assures par un installateur ou un service d'entretien qualifie ou par le fournisseur de gaz.

**ATTENTION: L'ACHETEUR DOIT PLACER L'AVERTISSEMENT  
SUIVANT DANS UN ENDROIT CLAIR ET VISIBLE:**

**POUR VOTRE SECURITE**

Ne pas entreposer ni utiliser d' essence ni d'autres vapeurs ou liquides inflammables dans le voisinage de cet appareil ou de tout autre appareil.



**WARNING:** To avoid fire hazard, do not dry articles containing foam rubber or similar texture materials. Do not put into this dryer flammable items such as baby bed mattresses, throw rugs, undergarments (brassieres, etc.) and other items which use rubber as padding or backing. Rubber easily oxidizes causing excessive heat and possible fire. These items should be air dried.



**WARNING:** Synthetic solvent fumes from drycleaning machines create acids when drawn through the dryer. These fumes cause rusting of painted parts, pitting of bright or plated parts, and completely removes the zinc from galvanized parts, such as the tumbler basket. If drycleaning machines are in the same area as the tumbler, the tumbler's make-up air must come from a source free of solvent fumes.



**WARNING:** Do not operate without guards in place.



**WARNING:** Check the lint trap often and clean as needed but at least a minimum of once per day.



**WARNING:** Alterations to equipment may not be carried out without consulting with the factory and only by a qualified engineer or technician. Only **Manufacturer's** parts may be used.



**WARNING:** Remove clothes from dryer as soon as it stops. This keeps wrinkles from setting in and reduces the possibility of spontaneous combustion.



**WARNING:** Be safe - shut main electrical power and gas supply off externally before attempting service.



**WARNING:** Never use drycleaning solvents, gasoline, kerosene, or other flammable liquids in the dryer. ***FIRE AND EXPLOSION WILL OCCUR. NEVER PUT FABRICS TREATED WITH THESE LIQUIDS INTO THE DRYER. NEVER USE THESE LIQUIDS NEAR THE DRYER..***



**WARNING:** Do not place items exposed to cooking oils in your dryer. Items contaminated with cooking oils may contribute to a chemical reaction that could cause a load to catch fire.



**WARNING:** Never let children play near or operate the dryer. Serious injury could occur if a child should crawl inside and the dryer is turned on.



**WARNING:** Never tumble fiberglass materials in the dryer unless the labels say they are machine dryable. Glass fibers break and can remain in the dryer. These fibers cause skin irritation if they become mixed with other fabrics.



**WARNING:** Before operating gas ignition system - purge air from natural gas or propane gas lines per manufacturer's instructions.



**WARNING:** To reduce the risk of electric shock, disconnect this appliance from the power supply before attempting any user maintenance other than cleaning the lint trap. Turning the controls to the OFF position does not disconnect this appliance from the power supply.

## **IPSO DRYER WARRANTY**

IPSO warrants all new equipment (and the original parts thereof) to be free from defects in material or workmanship for a period of two (2) years from the date of sale thereof to an original purchaser for use, except as hereinafter provided. With respect to non-durable parts normally requiring replacement in less than two (2) years due to normal wear and tear, and with respect to all new repair or replacement parts for IPSO equipment for which the two (2) year warranty period has expired, or for all new repair or replacement parts for equipment other than IPSO equipment, the warranty period is limited to ninety (90) days from date of sale. The warranty period on each new replacement part furnished by IPSO in fulfillment of the warranty on new equipment or parts shall be for the unexpired portion of the original warranty period on the part replaced.

With respect to electric motors, coin meters and other accessories furnished with the new equipment, but not manufactured by IPSO, the warranty is limited to that provided by the respective manufacturer.

IPSO's total liability arising out of the manufacture and sale of new equipment and parts, whether under the warranty or caused by IPSO's negligence or otherwise, shall be limited to IPSO-USA repairing or replacing, at its option, any defective equipment or part returned f.o.b. IPSO's factory, transportation prepaid, within the applicable warranty period and found by IPSO to have been defective, and in no event shall IPSO be liable for damages of any kind, whether for any injury to persons or property or for any special or consequential damages. The liability of IPSO does not include furnishing (or paying for) any labor such as that required to service, remove or install; to diagnose troubles; to adjust, remove or replace defective equipment or a part; nor does it include any responsibility for transportation expense which is involved therein.

The warranty of IPSO is contingent upon installation and use of its equipment under normal operating conditions. The warranty is void on equipment or parts; that have been subjected to misuse, accident, or negligent damage; operated under loads, pressures, speeds, electrical connections, plumbing, or conditions other than those specified by IPSO; operated or repaired with other than genuine IPSO replacement parts; damaged by fire, flood, vandalism, or such other causes beyond the control of IPSO; altered or repaired in any way that effects the reliability or detracts from its performance, or; which have had the identification plate, or serial number, altered, defaced, or removed.

No defective equipment or part may be returned to IPSO for repair or replacement without prior written authorization from IPSO. Charges for unauthorized repairs will not be accepted or paid by IPSO.

IPSO MAKES NO OTHER EXPRESSED OR IMPLIED WARRANTY, STATUTORY OR OTHERWISE, CONCERNING THE EQUIPMENT OR PARTS INCLUDING, WITHOUT LIMITATION, A WARRANTY OF FITNESS FOR A PARTICULAR PURPOSE, OR A WARRANTY OF MERCHANTABILITY. THE WARRANTIES GIVEN ABOVE ARE EXPRESSLY IN LIEU OF ALL OTHER WARRANTIES, EXPRESSED OR IMPLIED. IPSO NEITHER ASSUMES, NOR AUTHORIZES ANY PERSON TO ASSUME FOR IT, ANY OTHER WARRANTY OR LIABILITY IN CONNECTION WITH THE MANUFACTURE, USE OR SALE OF ITS EQUIPMENT OR PARTS.

For warranty service, contact the distributor from whom the IPSO equipment or part was purchased. If the distributor cannot be reached, contact IPSO.

### **IDENTIFICATION NAMEPLATE**

The identification nameplate is located on the rear wall of the dryer. It contains the dryer serial number, product number, model number, electrical specifications and other important data that may be needed when servicing and ordering parts, wiring diagrams, etc. Do not remove this nameplate.

# Contents

---









<b>Safety Instructions</b> .....	2-4
<b>Cissell Dryer Warranty</b> .....	5
<b>Table of Contents</b> .....	6
<b>Symbols</b> .....	7
<b>Unpacking / General Installation</b> .....	8-9
<b>Technical Data and Dimensions</b> .....	10-11
<b>Electric Connections</b> .....	12
<b>Gas Connections</b> .....	13
<b>Gas Piping Installation</b> .....	14-15
<b>Gas service Installation Instructions</b> .....	16
<b>Gas Pipe Size Chart</b> .....	17
<b>Dryer Installation with Multiple Exhaust</b> .....	18-19
<b>Dryer Make-Up Air Requirements</b> .....	20
<b>Dryer Installation with Seperate Exhaust</b> .....	21
<b>Exhaust and Venting</b> .....	22
<b>Rules for Safe Operation of Dryer</b> .....	23
<b>Direct-Spark Ignition Operation</b> .....	24-25
<b>General Maintenance</b> .....	26-27
<b>Operating Instruction for Double Timer</b> .....	28
<b>PARTS</b> .....	29-43

---

<b>Front View</b> .....	29	<b>Control Door Assembly</b> .....	30
<b>Front Panel Assembly</b> .....	31	<b>Thermostat Assembly</b> .....	32
<b>Wire Box Assembly</b> .....	33	<b>Door Assembly</b> .....	34
<b>Lint Door Assembly</b> .....	35	<b>Basket &amp; Spider Assembly</b> .....	36
<b>Rear View</b> .....	37	<b>Air Switch Assembly</b> .....	38
<b>Basket Bearings/Sheave Assy</b> .....	39	<b>Motor &amp; Fan Assembly</b> .....	40
<b>Idler Assembly</b> .....	41	<b>Rear Control Panel Assembly</b> .....	42
<b>Gas Heating Unit Assembly</b> .....	43		

# SYMBOLS

The following symbols are used in this manual and/or on the machine.

Symbol	Description	Symbol
	<b>NOTE!</b>	
	<b>Hot! Do Not Touch</b> <b>Heiß! Nicht Berühren</b> <b>Haute temperature! Ne pas toucher</b> <b>Caliente! no tocar</b>	
	<b>dangerous voltage</b> <b>tension dangereuse</b> <b>Gefährliche elektrische Spannung</b> <b>tension peligrosa</b>	
	<b>On</b> <b>Marche</b> <b>Ein</b> <b>Conectado</b>	
	<b>Off</b> <b>Arrêt</b> <b>Aus</b> <b>Desconectado</b>	
	<b>Start</b> <b>Demarrage</b> <b>Start</b> <b>Arranque de un movimiento</b>	
	<b>Emission of heat in general</b> <b>Emission de chaleur en general</b> <b>Warmeabgabe allgemein</b> <b>Emisión de calor</b>	
	<b>Cooling</b> <b>Refroidissement</b> <b>Kühlen</b> <b>Enfriamiento</b>	
		<b>Rotation in two directions</b> <b>Rotation dans les deux sens</b> <b>Drehbewegung in zwei Richtungen</b> <b>Movimiento rotativo en los dos sentidos</b>
		<b>Direction of rotation</b> <b>Sens de mouvement continu</b> <b>De rotation Drehbewegung in Pfeilrichtung</b> <b>Giratorio o rotatorio en el sentido de la flecha</b>
		<b>End of Cycle</b>
		<b>Caution</b> <b>Attention</b> <b>Achtung</b> <b>Atencion; precaucion</b>

*Unpacking/General Installation (All Dryers)*

**UNPACKING**

Upon arrival of the equipment, any damage in shipment should be reported to the carrier immediately.

Upon locating permanent location of a unit, care should be taken in movement and placement of equipment.

See outline clearance diagrams for correct dimensions.

Remove all packing material such as: tape, manuals, skid, etc

Leveling: Use spirit level on top of dryer. Adjust leveling bolts on dryer (see adjustable leveling bolts in maintenance section).

Check voltage and amperes on rating plate before installing the dryer.

**GENERAL  
INSTALLATION  
(ALL DRYERS)**

The construction of the dryers permits installation side-by-side to save space or to provide a wall arrangement. Position dryer for the least amount of exhaust piping and elbows, and allow free access to the rear of dryer for future servicing of belts, pulleys and motors. Installation clearance from all combustable material is 0" ceiling clearance, 0" rear clearance, and 0" side clearance.

Before operating dryer, open basket door and remove blocking between front panel and basket. Read the instruction tags, owner's manual, warnings, etc.

**IMPORTANT**

**Opening the clothes loading door deactivates the door switch to shut off the motors, fan, gas, steam, or electric element. To restart the dryer, close the door and press in the push to start button.**

**IMPORTANT**

**This dryer is designed for a capacity maximum load. Overloading it will result in long drying times and damp spots on some clothes.**

**IMPORTANT**

**Maximum operating efficiency is dependent upon proper air circulation. The lint screen must be kept cleaned daily to insure proper air circulation throughout the dryer.**

**IMPORTANT**

**Provide adequate clearance for air opening into the combustion chamber.**



**GENERAL  
INFORMATION**

The dryer is so designed that when an operator opens the dryer door, the basket and exhaust fan stop. You can expect fast drying from the laundry dryer. Hot, dry air is properly and effectively moved through the basket and exhausted through a lint trap to the atmosphere. The dryer comes equipped with an inclined self-cleaning lint screen. In this system, lint accumulates on the underside of the screen until a blanket of lint will fall from the screen to the bottom of the dryer cabinet, and should be removed daily or as required, to prevent an over-accumulation.



**IMPORTANT**

**Provide adequate clearance for air openings into the combustion chamber.**

**DRYER  
“COOL-DOWN”  
CYCLE**

Permanent press, durable press and other modern day fabrics require the care that your laundry dryers now provide. At the end of the drying cycle, a timed “Cool-Down” control automatically takes over and continues the rotation of the fan and basket without heat until the garment load reaches a safe cool temperature. This function is performed at the end of each drying cycle.

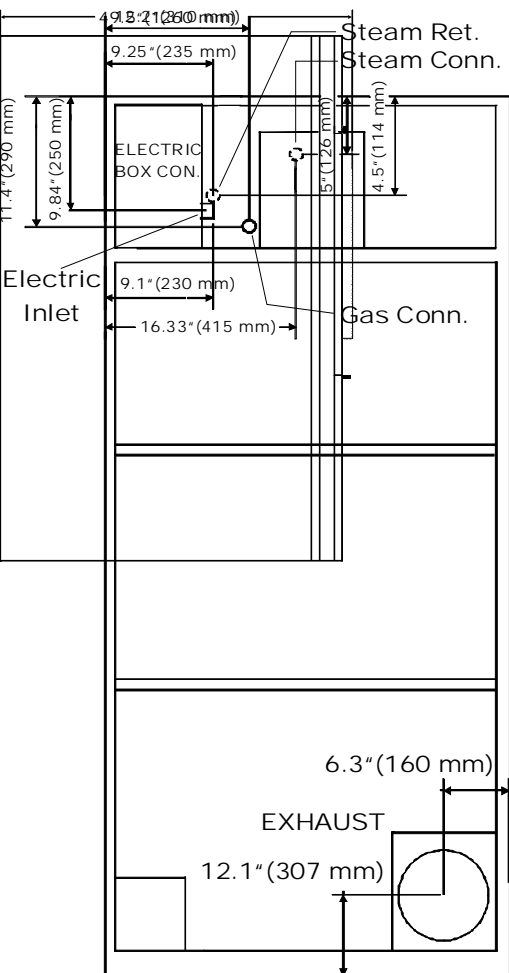
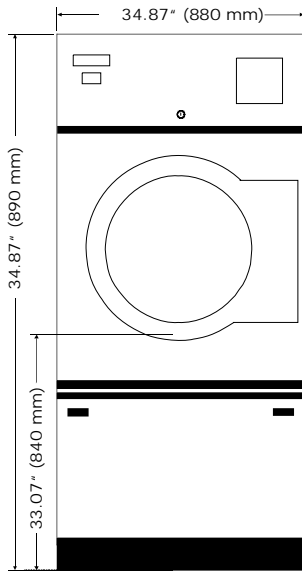
**REPLACEMENT  
PARTS**

Replacement parts for this dryer are available from your distributor or by contracting the factory at the address or phone number printed on the cover page of this manual.

**50 lb. Dryer Dimensions - Standard Gas, Steam and Electric Heated**

<b>Specifications</b>	<b>U.S. Measure</b>	<b>Metric Measure</b>	
<b>Capacity (Dry Linen)</b>	50 lbs.	22.7 kg	
<b>Basket</b>			
Diameter	33 inches	840 mm	
Depth	32 inches	815 mm	
Volume	15.8 ft <sup>3</sup>	.450 m <sup>3</sup>	
<b>Cabinet</b>			
Height	75.25 inches	1910 mm	
Width	34.87 inches	890 mm	
Depth	50.39 inches	1280 mm	
<b>Door Opening</b>			
Diameter	22.62 inches	575 mm	
Loading height	31.5 inches	800 mm	
<b>Temperature</b>			
Minimum	100° F	38° C	
Maximum	185° F	85° C	
<b>Motor</b>			
Non-reversing	1/2 H.P.	0.37 kW	
Reversing - Drum	1/2 H.P.	0.37 kW	
Fan	1/3 H.P.	0.25 kW	
<b>Exhaust</b>			
Flow Rate	700 CFM	1190 m <sup>3</sup> /h	
Diameter	8 inches	195-200 mm	
<b>Electric Conn. - Electric Dryers</b>		Non-Reversing	Reversing
208 V	50/60 - 3PH	89 A	90.2 A
240 V	50/60 - 3PH	78 A	79.2 A
380/415 V	50 - 3PH	43 / 47 A	44.1 A /48.1 A
480 V	60 - 3PH	42 A	43.1 A
<b>Electric Conn. - Steam, Gas Dryers</b>		Non-Reversing	Reversing
120/208-240 V	50 / 60 - 1 PH	9 A / 5 A	11.1 A / 5.1 A
208/240 V	50 / 60 - 3 PH	2.2 / 2.0 A	3.3 / 3.0 A
480 V	60 - 3 PH	1.2 A	2.3 A
380/415 V	50 - 3 PH	1.1 A / 1.2 A	2.2 A / 2.3 A
<b>Power</b>			
Electric	30 KW	30kW	
Gas	125,000 Btu/h	31,500 kcal/h	
Steam	5.6 B.H.P	47,800 kcal/h	
<b>Steam connection</b>			
Inlet	3/4"	DN20	
Outlet	1/2"	DN15	
<b>Gas Connection</b>			
Gas Connection	1/2"	DN15	
Gas Pressure	5" - 12"	12-30 mb	
<b>Shipping Dimensions</b>			
(H xW x D)	81.5 X 37 X 52.37 inches	2070 X 940 X 1330 mm	
<b>Weight</b>			
Net	575 lbs.	260 kg	
Gross	630 lbs.	285 kg	

**DR50 Dryer Dimensions - Gas**  
*(Illustration)*



5" (126 mm)  
 4.5" (114 mm)

---

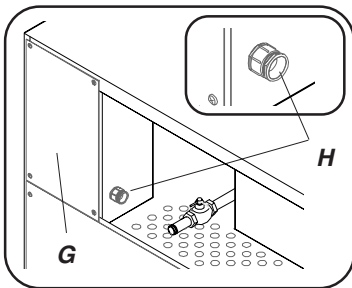
---

## Electric connection

Dryers must be electrically grounded by a separate #14 or larger green wire from the grounding terminal within the Service Connection Box, to a cold water pipe. In all cases, the grounding method must comply with local electrical code requirements; or in the absence of local codes, with the *National Electrical Code, ANSI/NFPA 70 or the Canadian Electrical Code, CA C22.1*.

See wiring diagram furnished with dryer. Do not change wiring without consulting the factory, as you may void the factory warranty. **DO NOT CONNECT THE DRYER TO ANY VOLTAGE OR CURRENT OTHER THAN THAT SPECIFIED ON THE DRYER RATING PLATE.** (Wiring diagram is located on rear wall of dryer.)

All panels must be in position before operation of dryer.



The connection needs to be made in the wiring box at the back. Remove the coverplate (G) in order to reach the connection clamps.

The connection cable needs to be brought in through the swivel (H) on the *side of the wiring box*.



It is necessary to **ground** the dryer for your personal safety and to ensure a good operation.

### 115 and 208-240 V - 1 ph

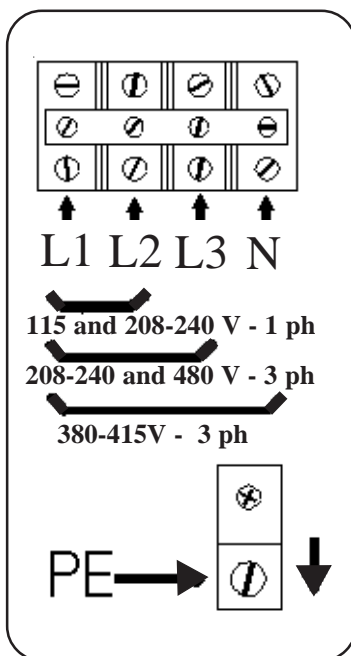
The mains wires (*L1*) and (*L2*) should be connected to the 2 left clamps and the *yellow/green grounding wire (PE)* should be connected to the grounding clamp.

### 208-240 and 480 V - 3 ph

The *3 mains wires (L1), (L2) and (L3)* should be connected to the 3 left clamps and the *yellow/green grounding wire (PE)* should be connected to the grounding clamp.

### 380-415V - 3 ph

The *3 mains wires (L1), (L2) and (L3)* should be connected to the 3 left clamps, the *blue neutral (N)* should be connected to the right clamp and the *yellow/green grounding wire (PE)* should be connected to the grounding clamp.



---

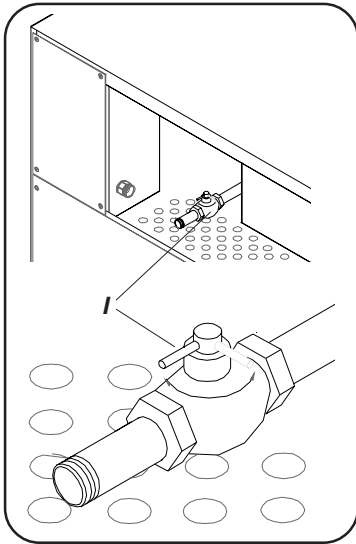
**«Attention. Lors des opérations d'entretien des commandes, étiqueter tous les fils avant de les déconnecter. Toute erreur de câblage peut être une source de danger et de panne»**

---

---

---

## Gas connection



The gas supply pipe should be connected *to the gas tap (I), which is on the right next to the wiring box on the back.*

It is very important to have the connections done by a qualified technician, in order to make sure that the installation is effected in accordance with the prevailing standards and instructions.

The dryer should be connected to the type of gas, which is indicated on the serial plate.

The use *of too small gas pipes* can result in insufficient gas supply, which can lead to a bad heating-up and a poor drying quality.

*When the dryer is used in combination with a weighing platform, the gas supply pipe has to be made of flexible material to allow the weighing system to keep moving freely.*



Test all connections for possible leaks by means of a soap solution, but *never with a flame.*

---

It is important to work with the right gas pressure (see technical remarks) in order to obtain a good ignition, heating and consequently a good operation in general.

After the gas supply has been connected, the gas tap in the dryer should be turned on (clockwise).

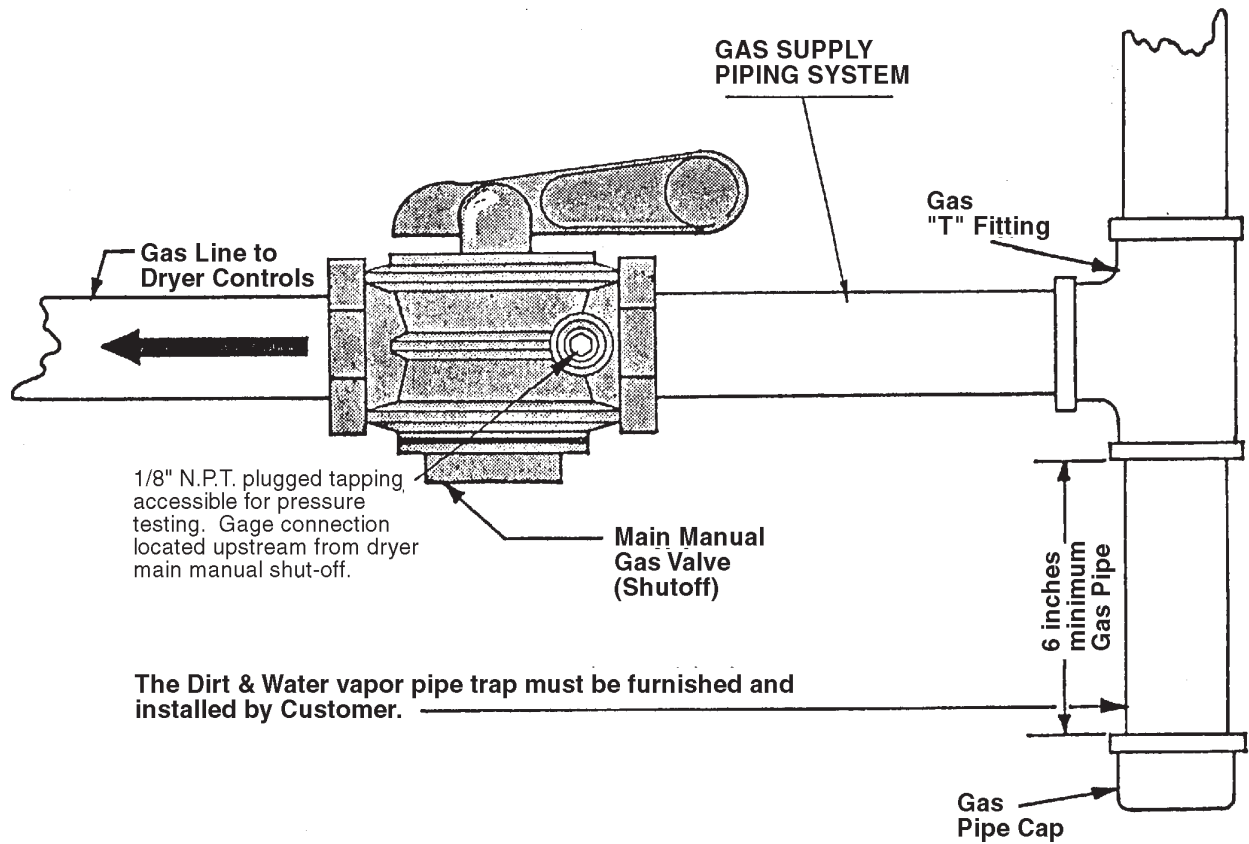
---

---

**GAS PIPING  
INSTALLATION**

1. The installation must conform with local codes, or in the absence of local codes with the *National Fuel Gas Code as, ANSI Z223.1 or the CAN/CGA-B149, Installation Codes.*
2. Check identification nameplate for type of gas for dryer.
3. Check the altitude of dryer.
4. Check with utilities company for proper gas pressure and gas supply line.
5. Natural gas only—check the gas pressure inlet supply to dryer, 11” water column (27.4 mbar) maximum. Manifold pressure—3.5” water column (8.8 mbar) pressure .
6. L.P. gas only—manifold pressure—13” water column (32.4 mbar) maximum.

**CAUTION: Low gas pressure and intermittent gas will cause gas ignition problems and inadequate drying of laundry.**



The dryer and its individual shutoff valve must be disconnected from the gas supply piping system during any pressure testing of that system at test pressures in excess of 1/2 psi (.04 bar).

The dryer must be isolated from the gas supply piping system by closing its individual manual shutoff valve during any pressure testing of the gas supply piping system at test pressures equal to or less than 1/2 psi (.04 bar).

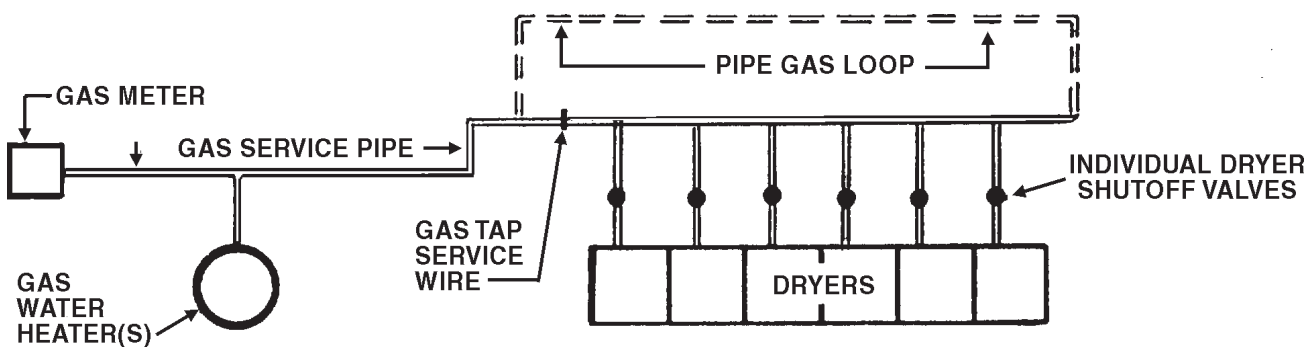
## Gas Service Installation Instructions

### GAS SERVICE INSTALLATION INSTRUCTIONS

The size of the gas service pipe is dependant upon many variables, such as tees, lengths, etc. Specific pipe size should be obtained from the gas supplier. Refer to the "Gas Pipe Size" chart in this manual for general gas pipe size information.

**CAUTION:** Gas loop piping must be installed as illustrated to maintain equal gas pressure for all dryers connected to a single gas service

**Other gas-using appliances should be connected upstream from the loop.**



**WARNING:**  
**LIQUIFIED PETROLEUM GASES ONLY !**

### GAS PRESSURE REGULATOR FOR LIQUIFIED PETROLEUM GASES

A gas pressure regulator for liquified petroleum gases is not furnished on the gas heated clothes dryers. This regulator is normally furnished by the installer. In accordance with American Gas Association (AGA) standards, a gas pressure regulator, when installed indoors, must be equipped with a vent limiter or a vent line must be installed from the gas pressure regulator vent to the outdoors.

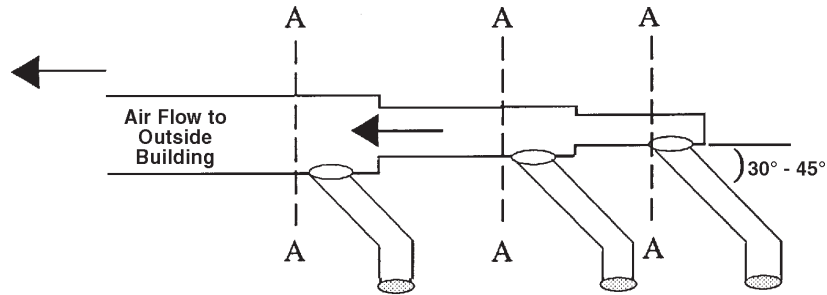


## Gas Pipe Size Chart

TOTAL BTU/HR (for LP Gas correct total BTU/HR below by multiplying by .6)	TOTAL KCAL	GAS PIPE SIZE FOR 1000 BTU (250 KCAL) NATURAL GAS AT 7" (17.5 MM) W.C. PRESSURE					
		In figuring total length of pipe, make allowance for tees and elbows.					
		(25 ft.) 7,62 m	(50 ft.) 15,24 m	(75 ft.) 22,86 m	(100 ft.) 30,48 m	(125 ft.) 38,1 m	(150 ft.) 45,72 m
60,000	15000	3/4	3/4	3/4	3/4	3/4	3/4
80,000	20000	3/4	3/4	3/4	1	1	1
100,000	25200	3/4	3/4	1	1	1	1
120,000	30200	3/4	1	1	1	1	1
140,000	35200	3/4	1	1	1	1	1 1/4
160,000	40300	3/4	1	1	1 1/4	1 1/4	1 1/4
180,000	45300	1	1	1	1 1/4	1 1/4	1 1/4
200,000	50400	1	1	1 1/4	1 1/4	1 1/4	1 1/2
300,000	75600	1	1 1/4	1 1/4	1 1/2	1 1/2	1 1/2
400,000	100800	1 1/4	1 1/4	1 1/2	1 1/2	1 1/2	2
500,000	126000	1 1/4	1 1/2	1 1/2	2	2	2
600,000	151200	1 1/2	1 1/2	2	2	2	2
700,000	176400	1 1/2	2	2	2	2	2 1/2
800,000	202000	1 1/2	2	2	2	2 1/2	2 1/2
900,000	230000	2	2	2	2 1/2	2 1/2	2 1/2
1,000,000	250000	2	2	2	2 1/2	2 1/2	2 1/2
1,100,000	270000	2	2	2 1/2	2 1/2	2 1/2	2 1/2
1,200,000	300000	2	2	2 1/2	2 1/2	2 1/2	2 1/2
1,300,000	330000	2	2 1/2	2 1/2	2 1/2	2 1/2	3
1,400,000	350000	2	2 1/2	2 1/2	2 1/2	3	3
1,500,000	380000	2	2 1/2	2 1/2	2 1/2	3	3
1,600,000	400000	2	2 1/2	2 1/2	3	3	3
1,700,000	430000	2	2 1/2	2 1/2	3	3	3
1,800,000	450000	2 1/2	2 1/2	3	3	3	3
1,900,000	480000	2 1/2	2 1/2	3	3	3	3
2,000,000	504000	2 1/2	2 1/2	3	3	3	3 1/2
2,200,000	550000	2 1/2	3	3	3	3 1/2	3 1/2
2,400,000	605000	2 1/2	3	3	3	3 1/2	3 1/2
2,600,000	650000	2 1/2	3	3	3 1/2	3 1/2	3 1/2
2,800,000	705000	2 1/2	3	3	3 1/2	3 1/2	3 1/2
3,000,000	750000	2 1/2	3	3 1/2	3 1/2	3 1/2	4
3,200,000	806000	3	3	3 1/2	3 1/2	3 1/2	4
3,400,000	850000	3	3 1/2	3 1/2	3 1/2	4	4
3,600,000	907000	3	3 1/2	3 1/2	3 1/2	4	4
3,800,000	960000	3	3 1/2	3 1/2	4	4	4
4,000,000	1000000	3	3 1/2	3 1/2	4	4	4

## Dryer Installation With Multiple Exhaust

For Exhaust Duct less than 14 feet (5 m) and 2 elbows equivalent and less than 0.3 inches (8 mm) static pressure.



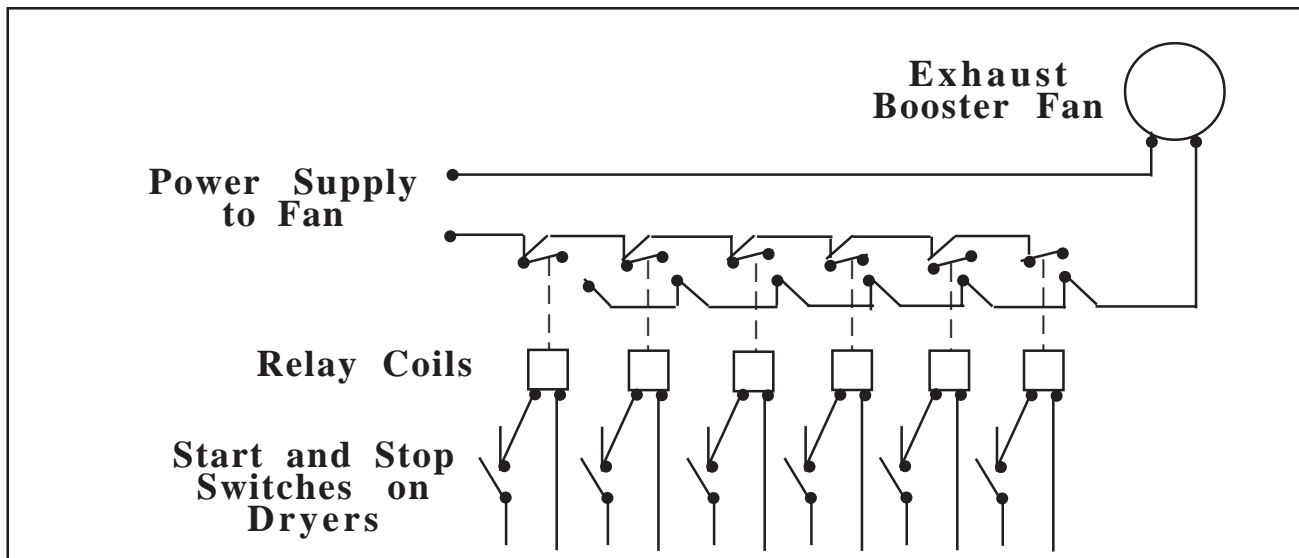
### DRYER EXHAUSTS

Area of section "A-A" must be equal to the sum of dryer exhaust pipes entering multiple exhaust pipe. (See chart below.)

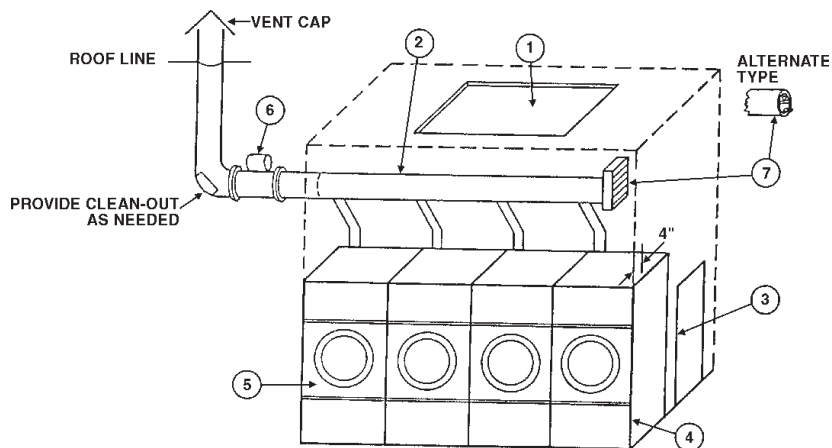
#### DR50

No. of Dryers  
Duct Diameter  
(in inches)  
(in CM)

1	2	3	4	5	6	7	8	9	10	11	12	13	14	15	16	17	18	19	20	21	22	23	24
8	12	14	16	18	20	22	23	24	26	27	28	29	30	31	32	33	34	35	36	37	38	39	40
20	30	25	41	46	51	56	58	61	66	68	71	73	76	78	81	84	86	89	91	94	97	99	100



## Dryer Installation with Multiple Exhaust



### DRYER INSTALLATION WITH MULTIPLE EXHAUST

**For Exhaust Duct more than 14 feet (5 m) and 2 elbows equivalent and more than 0.3 inches (8 mm) static pressure.  
(See illustration on page 21.)**

1. Make-up air from outside building may enter enclosure from top or side walls. (*See Dryer Make-Up Air Chart*)
2. Use constant diameter duct with area equal to the sum of dryer duct areas.  
**EXAMPLE:** Six 8 inch (204 mm) diameter duct = one 19.6 inch (498 mm) diameter duct in area. Use 20 inch (508 mm) diameter duct or diameter to match tube-axial fan.
3. Enclosure (plenum) with service door. This separates the dryer air from room comfort air. If dryers use room air instead of outside air, the heat loss can be another 25 Btu/h (6.3 kcal/h) for each cubic foot per minute (cfm) used.
4. Zero inches clearance to combustible material allowed on sides and at points within 4 inches (102 mm) of front on top.
5. Heat loss into laundry room from dryer fronts *only* is about 60 Btu/h per square foot (15 kcal/h per 0.1m<sup>2</sup>).
6. Flange mounted, belt driven tube-axial fan. Fan must run when one or more dryers are running. *See suggested Automatic Electrical Control Wiring Diagram on previous page.* Must meet local electrical codes. Fan air flow (cfm) (m<sup>3</sup>/min.) is equal to sum of dryer air flows, but static pressure (SP) is dependent on length of pipe and number of elbows.
7. Barometric bypass damper—adjust to *closed flutter position* with all dryers and exhaust fan running. Must be located within enclosure.



**CAUTION:** *Never install hot water heaters or other gas appliances in the same room as dryers. Never install cooling exhaust fans in the same room as dryers.*

**CAUTION:** *Never exhaust dryers with other types of equipment.*

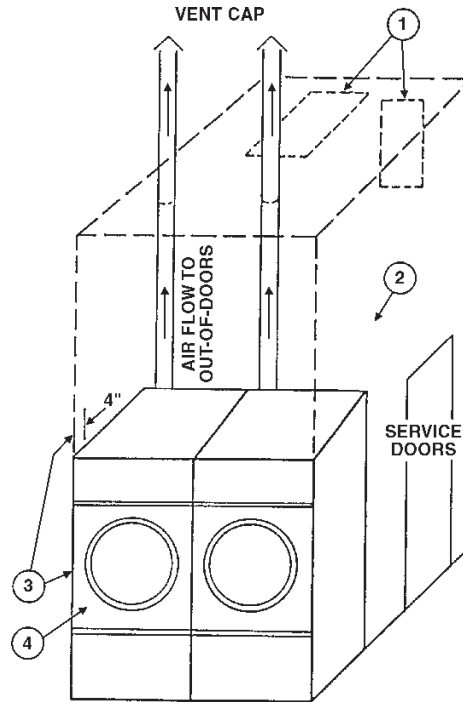
**Suggested Minimum Dryer Make-up Air Requirements**

Dryer Model	Dryer Pocket Capacity		Maximum Air Flow Rate per Pocket		Duct Size For Service Connection		Required Make-up Air Area per Pocket	
	lb	kg	cfm	m3/h	inch	mm	sq. inch	cm2
C 30	30	13.6	700	1190	8	203	135	871
C 30 E/S	30	13.6	400	680	6	153	77	497
C 30 ST	30	13.6	450	765	6	153	87	561
C 50	50	22.7	800	1360	8	203	154	994
C 50 E/S	50	22.7	450	765	6	153	87	561
C 75	75	34	1000	1700	8	203	192	1239
C 75 E/S	75	34	536	911	6	153	103	665
C 75 ST	75	34	1000	1700	12	305	192	1239
HD80	80	36.3	1465	2490	10	254	282	1819
C 110	110	50	2200	3740	12	305	422	2723
C 110 E/S	110	50	850	1445	8	203	163	1052
C 125	125	56.7	2000	3400	12	305	384	2477
C 150	150	68	2250	3825	12	305	432	2787
HD175	175	79.4	2780	4726	12	305	534	3445
HD190	190	86.2	3000	5100	12	305	576	3716
WMC/HD20	20	9.1	450	765	6	153	87	561
WMC/HD30	30	13.6	625	1063	8	203	120	774
WMC/HD50	50	22.7	700	1190	8	203	135	871
WMC/HD75	75	34	750	1275	8	203	144	929

**Notes:**

- 1) The Model C 30 ST has 2 pockets per dryer, each pocket has the above listed characteristics; each pocket is exhausted separately with a 6" (153mm) duct.
- 2) The Model C 75 ST has 2 pockets per dryer, each pocket has the above listed characteristics; both pockets have one 8" (203mm) exhaust manifolded into one 12" (305mm) exhaust duct for exhaust connection.
- 3) For the C 30 ST and the C 75 ST Models, the Required Make-up Air Area shown in the table should be doubled since it is shown per pocket, only.
- 4) E/S indicates an Energy Saving Model.

## Dryer Installation With Separate Exhaust (Preferred)



### DRYER INSTALLATION WITH SEPARATE EXHAUST (PREFERRED)



For ductwork less than 14 feet (5 m) and 2 elbows equivalent and less than 0.3 inches (8 mm) static pressure:

**NEVER** exhaust the dryer into a chimney.

**NEVER** install wire mesh screen over the exhaust or make-up air area.

**NEVER** exhaust into a wall, ceiling, or concealed space.

1. Make-up air opening from outside the building may enter the enclosure from the top or side walls. (*See Dryer Make-Up Air Chart*)
2. Enclosure (plenum) with service door. This separates the dryer air from the room comfort air. If dryers use room air instead of outside air, additional heat loss can be another 25 Btu/h (6.3 kcal/h) for each cubic foot per minute (cfm) (.03m<sup>3</sup>/min.) used.
3. Zero inches (mm) clearance to combustible material allowed on sides and at points within 4 inches (102 mm) of front on top.
4. Heat loss into laundry room from dryer front panels is about 60 Btu/h per square foot (15 kcal/h per 0.1m<sup>2</sup>).

## *Exhaust and Venting*

### **DRYER AIR FLOW INSTALLATION**

Nothing is more important than air flow for the proper operation of a clothes dryer. A dryer is a pump which draws make-up air from the out-of-doors, through the heater, through the clothes and then forces the air through the exhaust duct back to the out-of-doors. Just as in a fluid water pump, there must be a fluid air flow to the inlet of the dryer, if there is to be the proper fluid air flow out of the exhaust duct.

In summary, there must be the proper size out-of-doors inlet air opening (4-6 times the combined areas of the air outlet) and an exhaust duct, size and length of which allows flow through the dryer with no more than 0.3 inches water column (.8 mbar) static pressure in the exhaust duct.

In some instances, special fans are required to supply make-up air, and/or boost exhaust fans are required for both regular and energy saving models.

### **EXHAUST DUCT**

#### **FOR BEST DRYING:**

1. Exhaust duct maximum length 14 feet (5 m) of straight duct and maximum of two 90° bends.
2. Use 45° and 30° elbows wherever possible.
3. Exhaust each dryer separately.
4. Use 2 feet (0.7 m) of straight duct on dryer before installing an elbow on energy-saver models only.
5. **Do not** install wire mesh or other restrictions in the exhaust duct.
6. Use clean-outs in the exhaust duct and clean periodically when needed.
7. **Never** exceed 0.3 inches water column (8 mbar) static pressure in the exhaust duct.
8. Inside surface of the duct must be smooth.
9. Recommend pop rivets for duct assembly.

### **MAKE-UP AIR**

#### **FOR BEST DRYING:**

1. Provide opening to the out-of-doors in accordance with the following:  
*For each dryer—*  
6 inches (2 m) diameter exhaust requires a 1 square feet (0.1 m<sup>2</sup>) opening for make-up air.  
8 inches (3 mm) diameter exhaust requires a 2 square feet (0.2 m<sup>2</sup>) opening for make-up air.  
12 inches (4 mm) diameter exhaust requires a 4 square feet (0.4 m<sup>2</sup>) opening for make-up air.
2. Use barometric shutters in the inlet air opening to control air when dryers are not running.

### **OTHER RECOMMENDATIONS**

#### **Other Recommendations**

To assure compliance, consult local building code requirements.

### **TROUBLESHOOTING**

#### **Troubleshooting**

Hot dryer surfaces, scorched clothes, slow drying, lint accumulations, or air switch malfunction are indicators of exhaust duct and/or make-up air problems.

## Rules for Safe Operation of Dryer

---

1. Be sure your dryer is installed properly in accordance with the recommended instructions.
  2. **CAUTION**  
Be safe—shut main electrical power supply and gas supply off externally before attempting service.
  3. **CAUTION**  
**Never** use drycleaning solvents: gasoline, kerosene, or other flammable liquids **in the dryer**. ***Fire and explosion will occur.***  
**Never** put fabrics treated with these liquids into the dryer.  
**Never** use these liquids near the dryer.  
**Always** keep the lint screen clean.  
**Never** use heat to dry items that contain plastic, foam or sponge rubber, or rags coated with oils, waxes or paints. The heat may damage the material or create a fire hazard. Rubber easily oxidizes, causing excessive heat and possible fire.  
**Never** dry the above items in the dryer.
  4. **Never** let children play near or operate the dryer. Serious injury will occur if a child should crawl inside and the dryer is turned on.
  5. **Never** use dryer door opening and top as a step stool.
  6. Read and follow manufacturer's instructions on packages of laundry and cleaning aids. Heed any warnings or precautions.
  7. **Never** tumble fiberglass materials in the dryer unless the labels say they are machine dryable. Glass fibers break and can remain in the dryer and could cause skin irritation if they become mixed into other fabrics.
  8. Reference  
Lighting and shut-down instructions and wiring diagrams are located on the rear wall of the dryer cabinet.
  9. The dryer must not be installed or stored in an area where it will be exposed to water and/or weather.
- 
1. Install dryer so that you can use short, straight venting. Turned elbows and long vent tubing tend to increase drying time. Longer drying time means the use of more energy and higher operating costs.
  2. Operate dryer using full-size loads. Very large loads use extra energy. Very small loads waste energy.
  3. Dry light-weight fabrics separately from heavy fabrics. You will use less energy and get more even drying results by drying fabrics of similar weight together.
  4. Clean the lint screen area daily. A clean lint screen helps give faster, more economical drying.
  5. **Do not** open the dryer door while drying. You let warm air escape from the dryer into the room.
  6. Unload the dryer as soon as it stops. This saves having to re-start your dryer to remove wrinkles.

## *Direct-Spark Ignition Operation*

---

### **DIRECT SPARK IGNITION OPERATION**

NOTE: All dryers manufactured are equipped with the DSI (direct spark ignition) modules. These are designed to increase dryer efficiency and to reduce dryer operating costs. The main burner is directly ignited from a spark electrode. A burning flame provides an electrical path for a small amount of sensing current to allow gas valve operation. If the main burner flame extinguishes for any reason (aside from the thermostatic control) sensing current will shut down the gas valve and the spark ignition circuit.

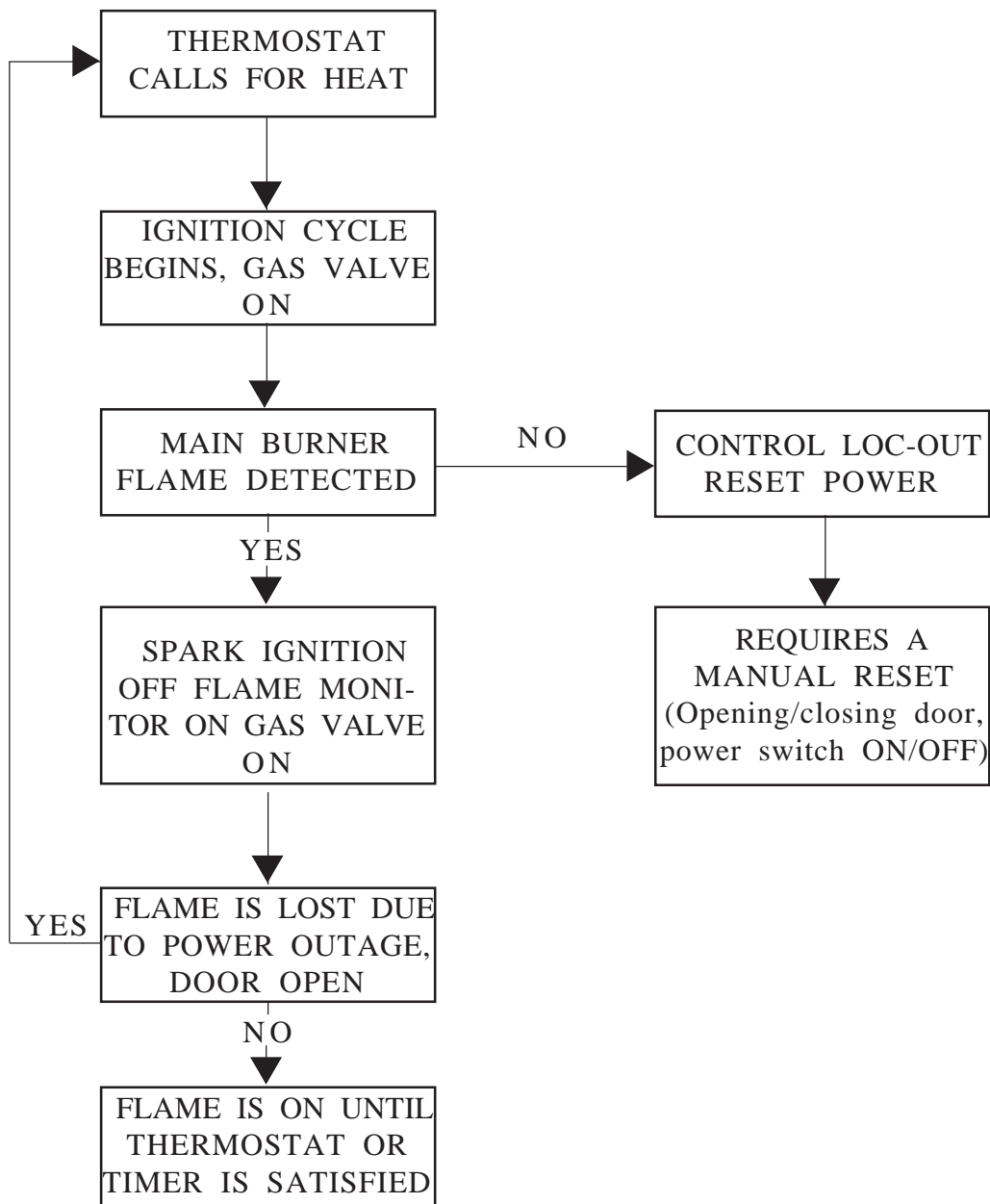
1. Once flame is established, the spark shuts off, and the main burner flame is then electronically monitored by means of a sensing spark probe which is located over the burner. The gas valve remains energized (open).
2. If no flame is detected within the first 11 seconds the DSI will go into a safety "lock-out". The gas valve is de-energized.
3. Recovery from a safety lockout requires one of the following:
  - A. Opening the main door thus interrupting power to the DSI module and allowing dryer diagnostic trouble shooting.
  - B. Disconnecting the entire dryer from a power source using a circuit breaker or a switch.
4. By closing the main door the ignition circuit will be restored for another trial of the ignition circuit.
5. Once the thermostatic control has been satisfied by reaching a pre-set temperature or the drying timer has been timed out, the ignition circuit will be de-energized thus extinguishing the flames.
6. The dryer will continue to run in a cool-down mode without heat. This process will cool the load to the touch and help to eliminate wrinkling.
7. The cool - down time is pre-set on some models and manually set on other dryer models. The cool-down cycle prevents fabric wrinkles by allowing clothes to reach room ambient temperature while still in a continuous levitation state until clothes are ready to be folded or pressed.



**DIRECT SPARK  
IGNITION OPERATION  
FLOW CHART**

The DSI module is powered by a 24 volts AC supplied by a step-down transformer in series with eight safety interlocks:

- A. Timer switching device (1)
- B. Main door and lint door switches (2)
- C. Sail switch (1)
- D. Under basket and burner housing thermal safety switches (2)
- E. Variable thermostat (1)
- F. Push to start switch (1)



**GENERAL  
MAINTENANCE**

1. **Clean lint trap daily.** Remove lint before or after each day of operation. A clean lint trap will increase the efficiency of the dryer and the moisture-laden air will be exhausted outside more quickly.
2. **Keep basket and sweep sheets clean.** Clean as often as needed. The basket and sweep sheets are accessible by removing the front panel of the dryer.
3. **Gas burners, steam coils, electric coils.** Check and clean often.
4. **Pulleys and belts.** Keep clean, as oil and dirt will shorten the life of a belt. Check periodically for alignment. Pulley shafts must be parallel and the grooves must be aligned. Check belt tension periodically. Adjust tension by movement of idler bracket. Lubricate idler pulley once every two months, using six grams of high temperature grease. Do not over-grease.
5. **Electric motor.** Keep motor clean and dry. Motors are packed with sufficient grease for 10 years normal service. After that, bearings and housing should be cleaned and repacked one-third full with Chevron grease No. SR1-2. See label on motor for further information.

If motor overheats, check voltage and wiring. Low voltage, inadequate wiring and loose connections are the main cause of motor failures.

6. **Adjustable leveling bolts.** One at each corner permits accurate alignment of dryer.  
To adjust: Block one corner of dryer up off the floor, loosen hex nut. With wrench, turn bolt clockwise to raise dryer, opposite to lower. Rear bolts are outside of dryer and front bolts are inside lint trap compartment.

## *General Maintenance*

---

### **GENERAL MAINTENANCE (continued)**

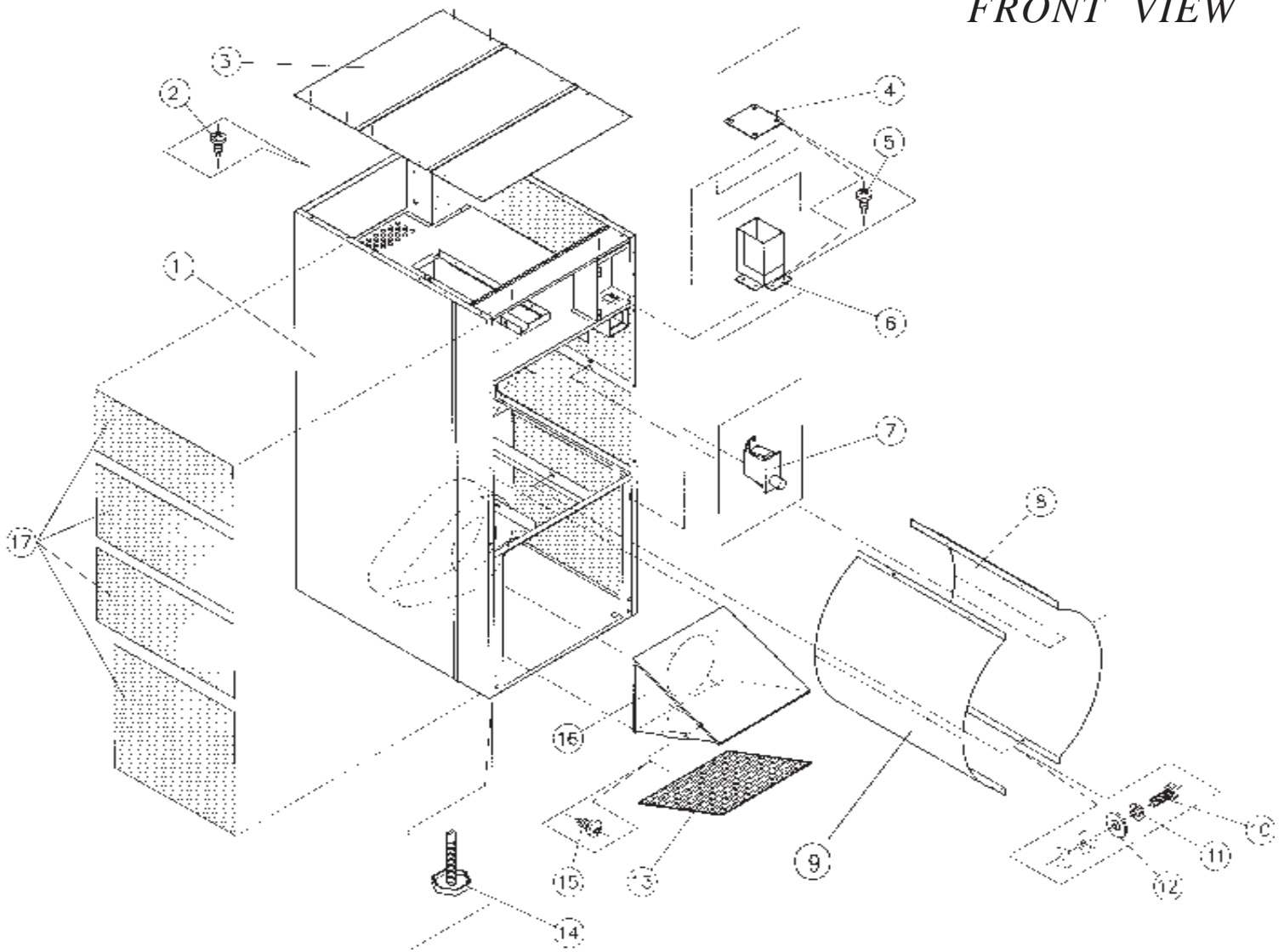
7. Periodically clean and examine exhaust system.
8. Keep dryer area clean and free of gasoline, combustible materials and other flammable liquids or vapors.
9. Do not obstruct the flow of combustion (make-up) air and ventilating air.
10. Check gas pressure periodically.

# OPERATING INSTRUCTION - DOUBLE TIMER

## OPERATING INSTRUCTIONS - DOUBLE TIMER MODELS

1. After loading the dryer with water washed clothes, close the loading door.
2. Turn the 60 minute drying (heat) timer to the desired time.
3. Turn the 60 minute cooling (air) to the desired time.
4. Select the temperature desired: Low, Medium, or High.  
**HIGH HEAT**  
175° F (80° C) exhaust temperature, heavy fabrics and hard to dry, such as cottons, towels, denim, etc..  
**PERMANENT PRESS (medium)**  
155° F (69° C) exhaust temperature, synthetic blends, including a mixed wash load.  
**LOW HEAT**  
135° F (58° C) exhaust temperature, delicate, sheer fabrics.
5. Press the “push to start” button to start the drying cycle. The heat or drying light will stay on until the drying cycle is completed
6. At the end of the drying cycle, the cool down cycle will automatically count down until all time runs out. The cool down light will stay on until the end of the cycle.
7. Drying cycle will not start unless a few minutes of the cool-down cycle are set on the cool-down timer.
8. To shut the dryer off at any time during the cycles by opening the door.

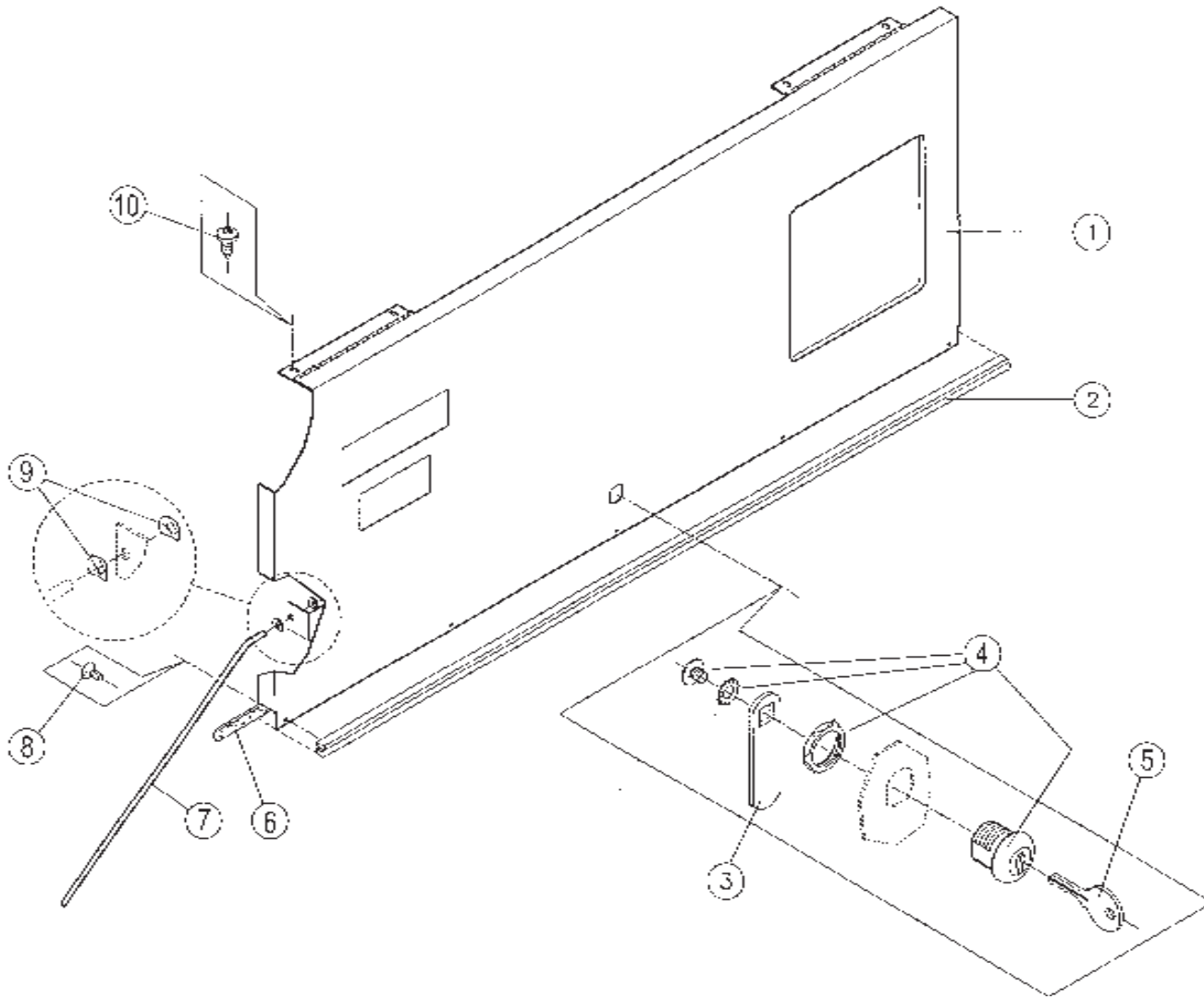
# FRONT VIEW



Ref. No.	PartNo.	Description
1	CSA50037WH	Jacket fas/electric (white)
1	CSA-50050WH	Jacket steam (white)
2	TU7733	Screwselfdrilling8-18X1/2"
3	CA-12073-0	Toppanel
4	CSA-11546-0	Coverplate (non-coinmodels)
5	TU7733	Screwselfdrilling8-18X1/2"
6	CSA-01435-0	Coinchute w/a
7	EA-00650-0	Microswitchdoor
8	CA-12070-0	Right.sweepsheet
9	CA-12070-0	Left.sweepsheet (gas&elec)
9	CA-13083-0	Left.sweepsheet (steam)

Ref. No.	PartNo.	Description
10	CB36	Screw-hex1/4-20X1/2"
11	TU2846	Lockwasher 1/4" medium
12	TU2847	Washer 1/4"
13	CA-10567-0	Lintframe
13	CA-13033	LintScreen
14	TU3211	Levelingbolt
15	TU7733	Screwselfdrilling8-18X1/2"
16	CSA-01528-0	Supportfilter
17	CSA-01425-0	InsulationinsideW/Ccomplete -usedongasmodelsonly-

# CONTROL DOOR ASSEMBLY



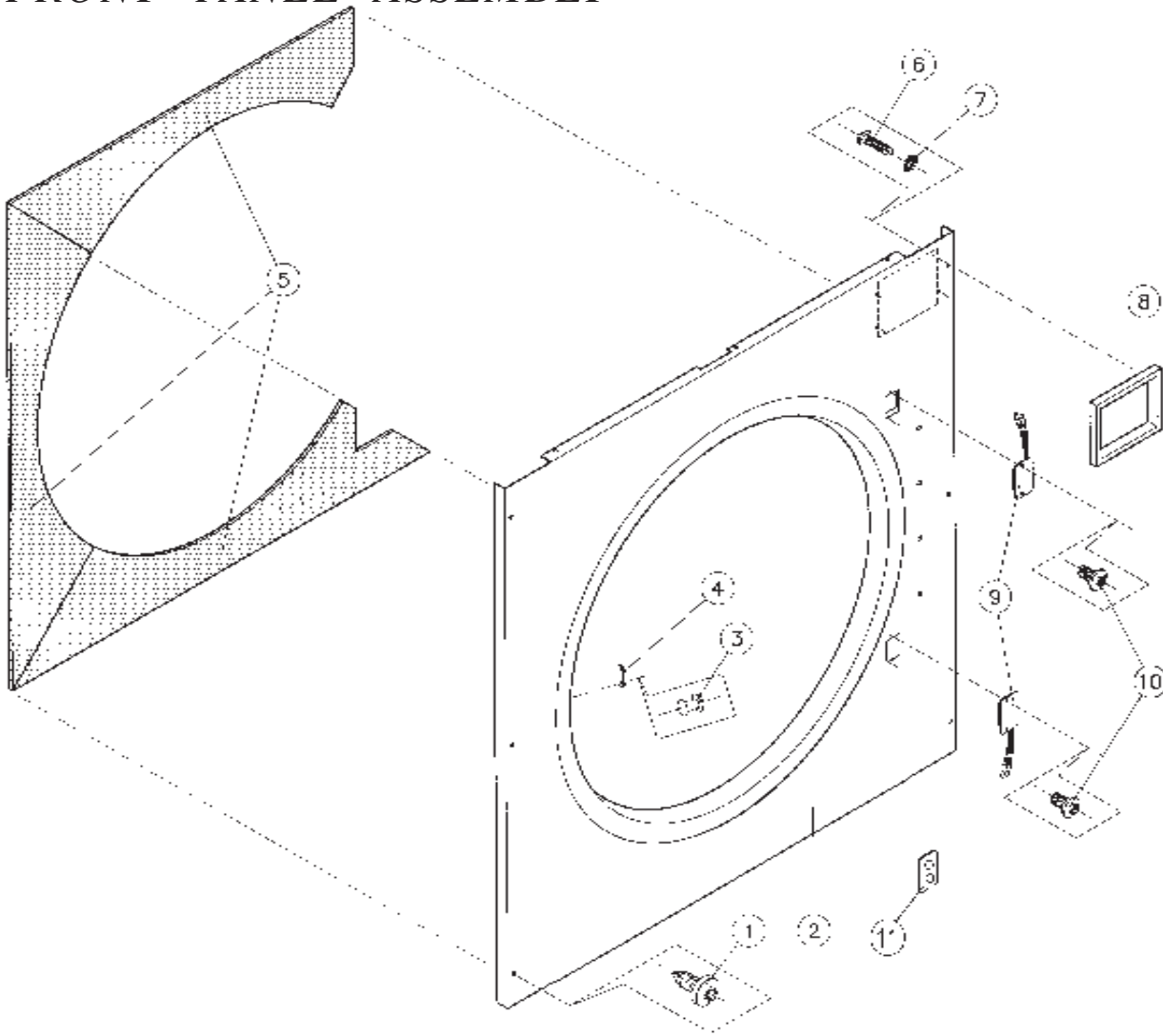
CSA-01423WH

Complete control doorassy.

**Note:** Door rodassy. is not part of above completeassy.

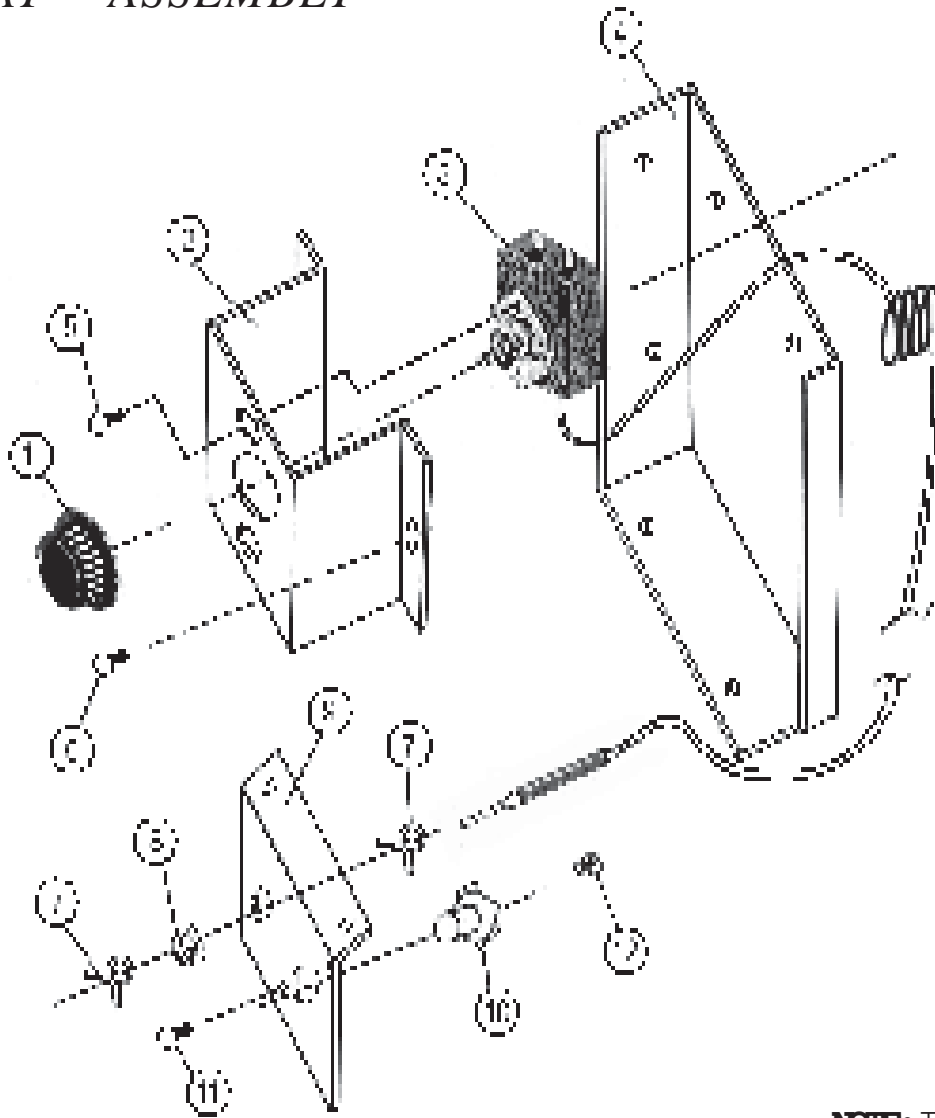
Ref. No.	Part No.	Description
1	CSA-01424WH	Control doorassy.
2	CA-00857-0	Trim-Control door
3	CA-11941-0	Cam Lock-Control door
4	CA-00121-0	Lock-Control door
5	CA-00119-0	Key-Control door
6	CA-13098-0	Gasket
7	CA-10085-0	Support rod
8	SB-00951-0	Screw-Phillips#8X7/16 flat hd.
9	SB-00971-0	Tinerman push-on fastener
10	TU7733	Screw self drilling 8-18*1/2"

# FRONT PANEL ASSEMBLY



Ref. No.	PartNo.	Description
1	SB-00915-0	Screwselfdrilling#10-16X5/8
2	CSA-01566WH	Frontpanel, weldedassy.-Coin
2	CSA-01565WH	Frontpanel, weldedassy-OPL
3	TU3213	PopRivet PVDdoor.locker
4	TU2876	Latchstrap
5	CA-00676	Insulation
6	SB-00924-0	Screw4-40*3/8taptite
7	SB-00938-0	Washer4external.tooth
8	CA-00699-0	Bezel -Coinbox
9	ESA-00862-0	Reedswitchassy.
10	SB-009775-0	Screw6-32*1/4phillips
11	EA-00827-0	Mountingplate-Reedswitch

# THERMOSTAT ASSEMBLY

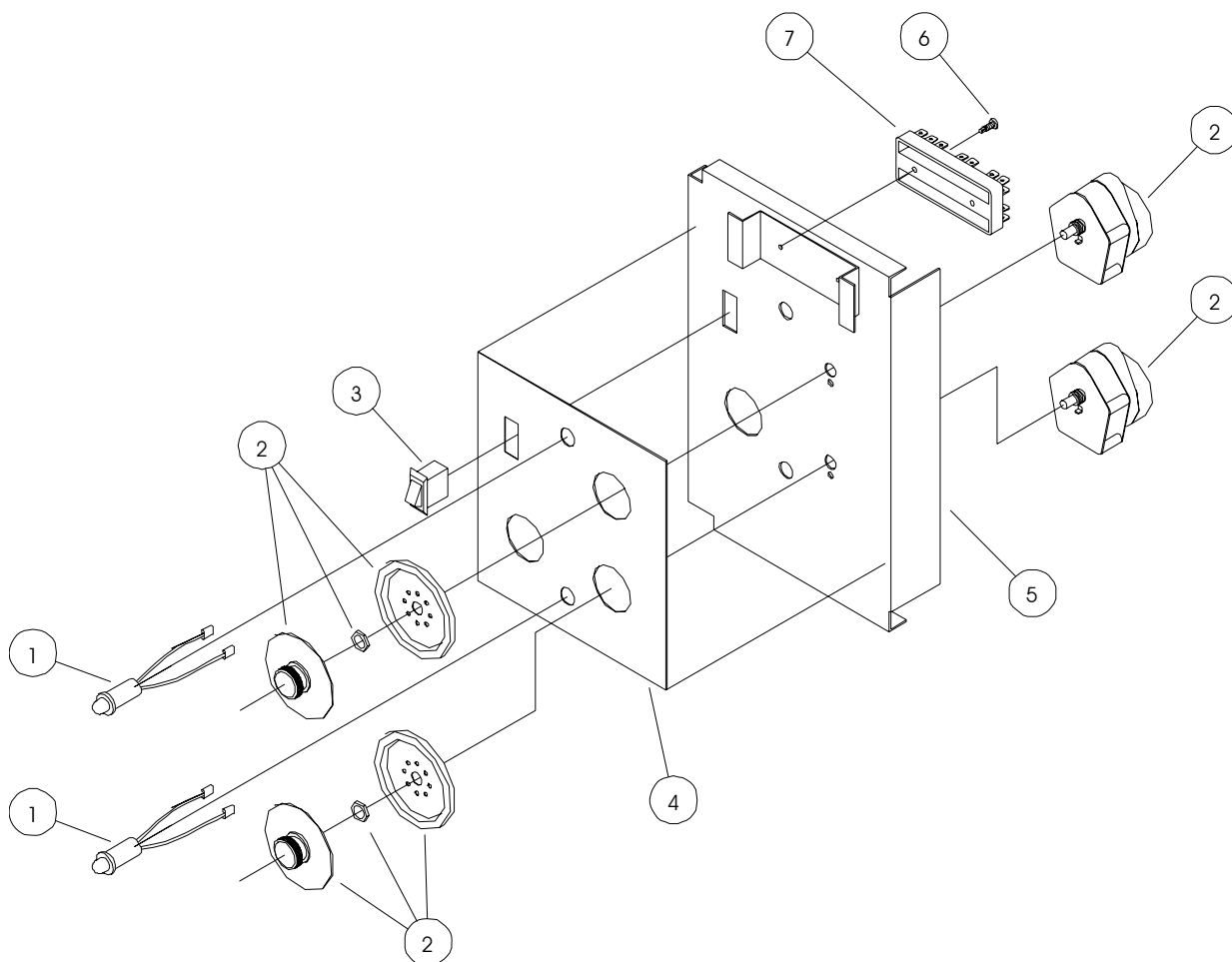


**NOTE:** Items 1 thru 6 mounted in front wire box. Items 7 thru 12 are mounted under the basket

Ref. No.	Part No.	Description
1	EA-00607-0	Thermostat knob
2	CA-13213-0	Thermostat bracket
3	EA-00606-0	Thermostat
4	CA-13215-0	Thermostat bracket adapter
5	TU3624	Screw 6 - 32X1/4"
6	TU7733	Screw-selfdrilling 8-18X1/2"
7	EA-00434-0	Clip-3/8" spring
8	EA-00608-0	Grammet / rubber
9	CA-13214-0	Plate
10	EA-00594-0	Thermostat-HI-Limit
11	SB-00828-0	Screw 8-32X1/2"
12	TU3266	Nut-brass 8-32

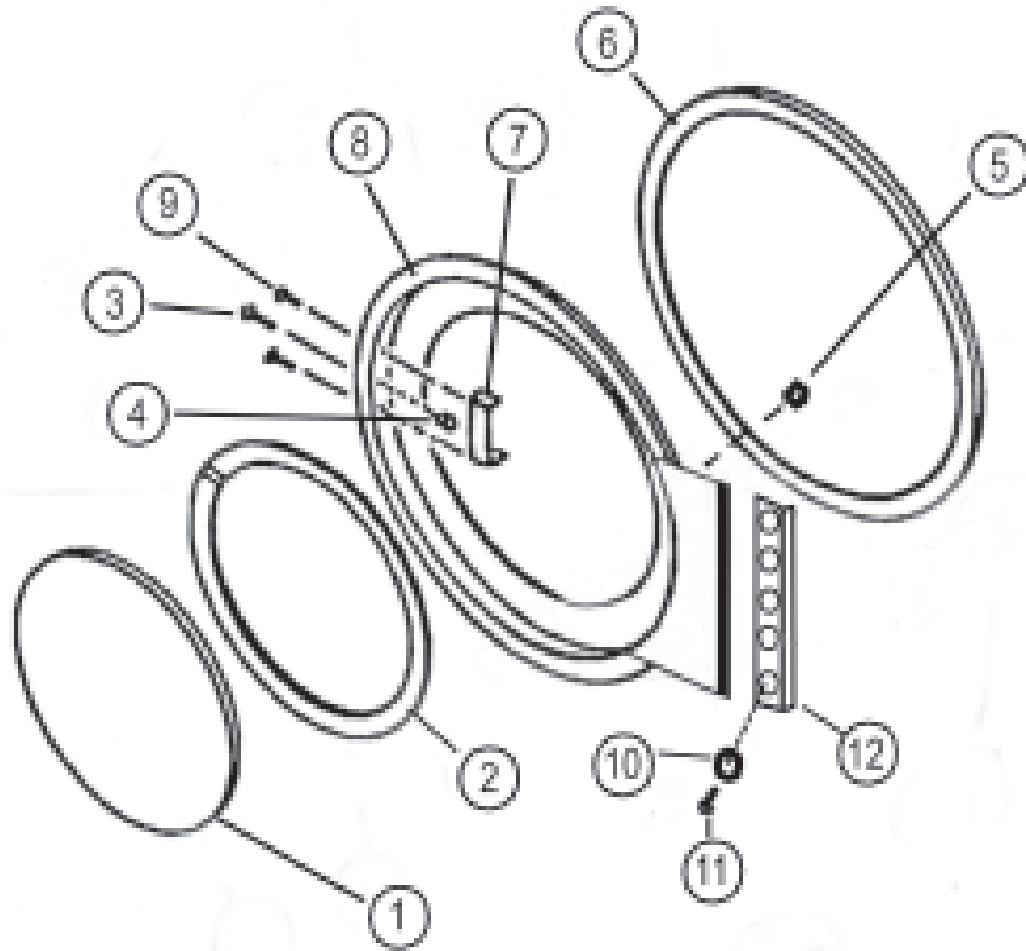


# WIRE BOX ASSEMBLY



Ref. Nb.	PartNo.	Description
	CSA-01608WH	Wireboxdoorassycomplete
1	TUT316	Light LED24V
2	EA-11614-0	Timer-manual 24V-60min. complete
3	EA-00619-0	Switch-start
4	CA-13170-0	Overlay-dual timer non-rev
5	CSA-01608WH	Wireboxdoorassy.
6	SB-00865-0	Screw-selfdrilling#6-20X12"
7	EA-00210-0	Terminalblock
8	ESA-00967-0	Wireharness (not shown)
9	SB-00868-0	Bushing7/8"

# DOOR ASSEMBLY

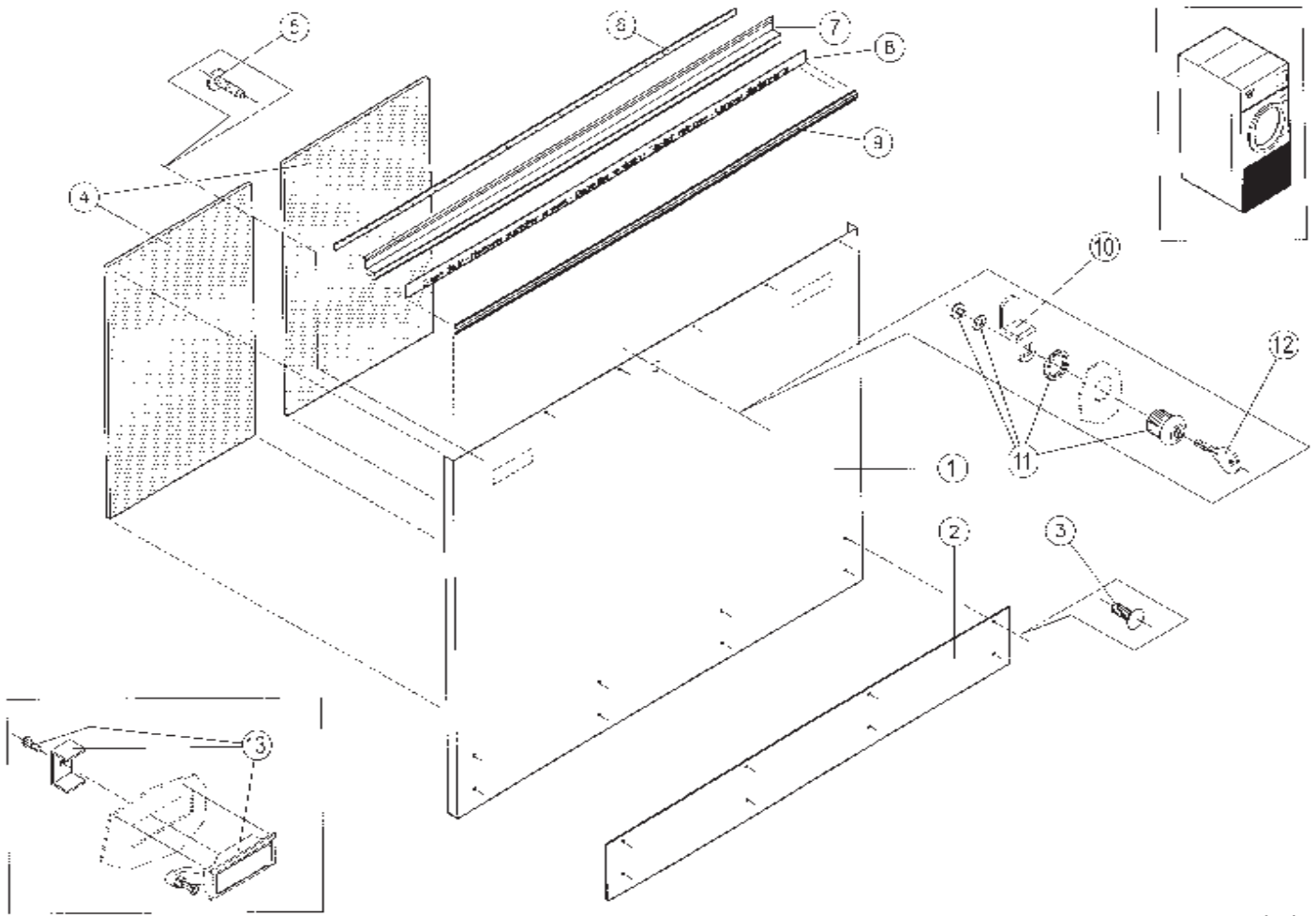


Ref. No.	PartNo.	Description
----------	---------	-------------

	MSD-00864WH	Completed doorassy (consists of items 1 thru 9 only)
--	-------------	--

1	MD-00362-0	DoorGlass-clear
2	MD-00354-0	Gasket-doorglass-straight
3	TU3163	CatchPin
4	TU4840	Crownnut
5	MD-00337-0	Magnet-readswitch
6	MD-00338-0	Gasket-doorrim
7	TU2874	Basketdoorhandle
8	MSD-00858-WH	Basketdoor
9	TU3215	Screw#10-32X3/8"
10	SB-00852-0	Washer1/4"externalstarluck
11	SB-00921-0	Screw 1/4"-20 roundhead
12	MD-00348-0	Hinge spacer

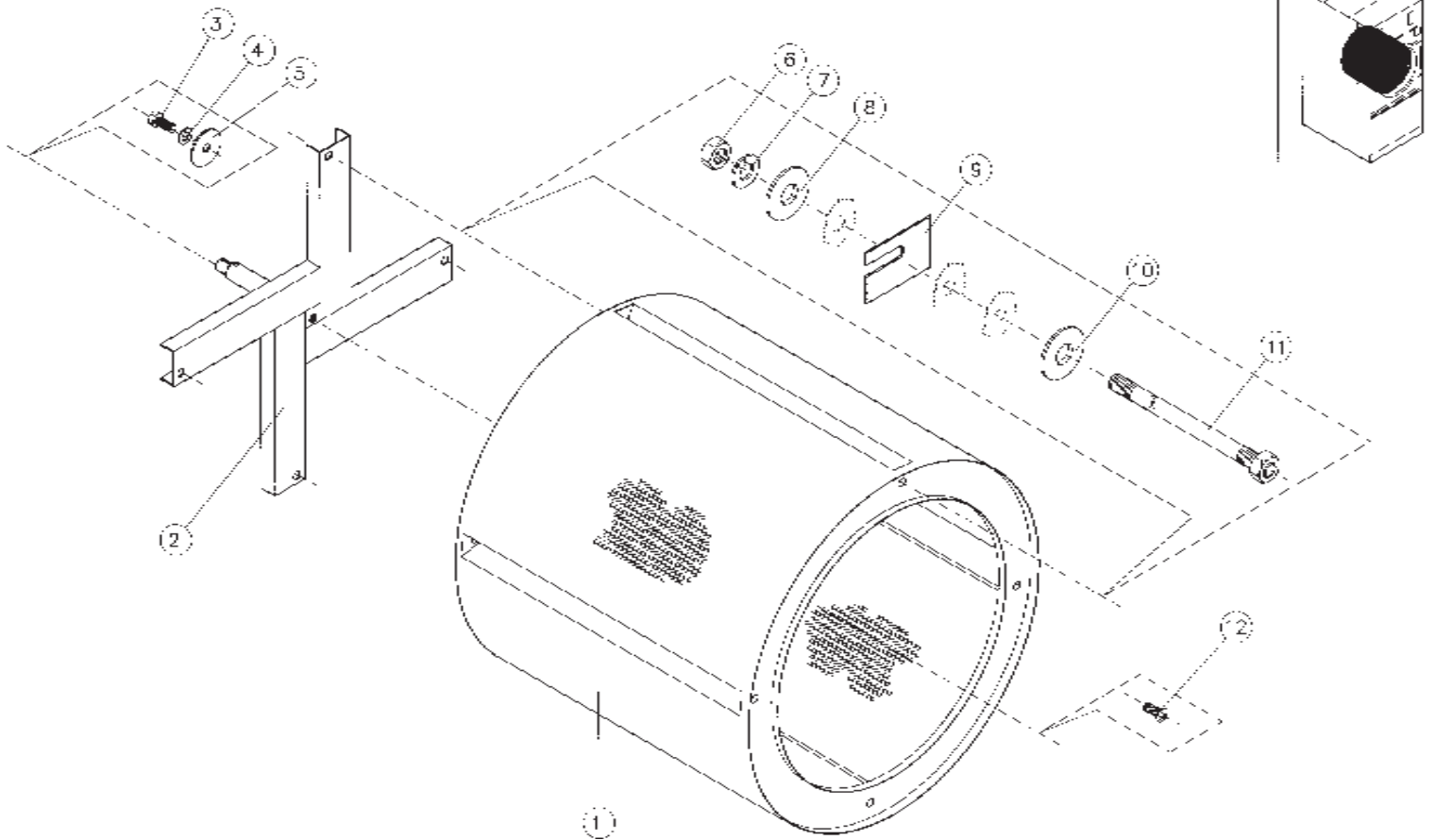
# LINT DOOR ASSEMBLY



For OPL models only.

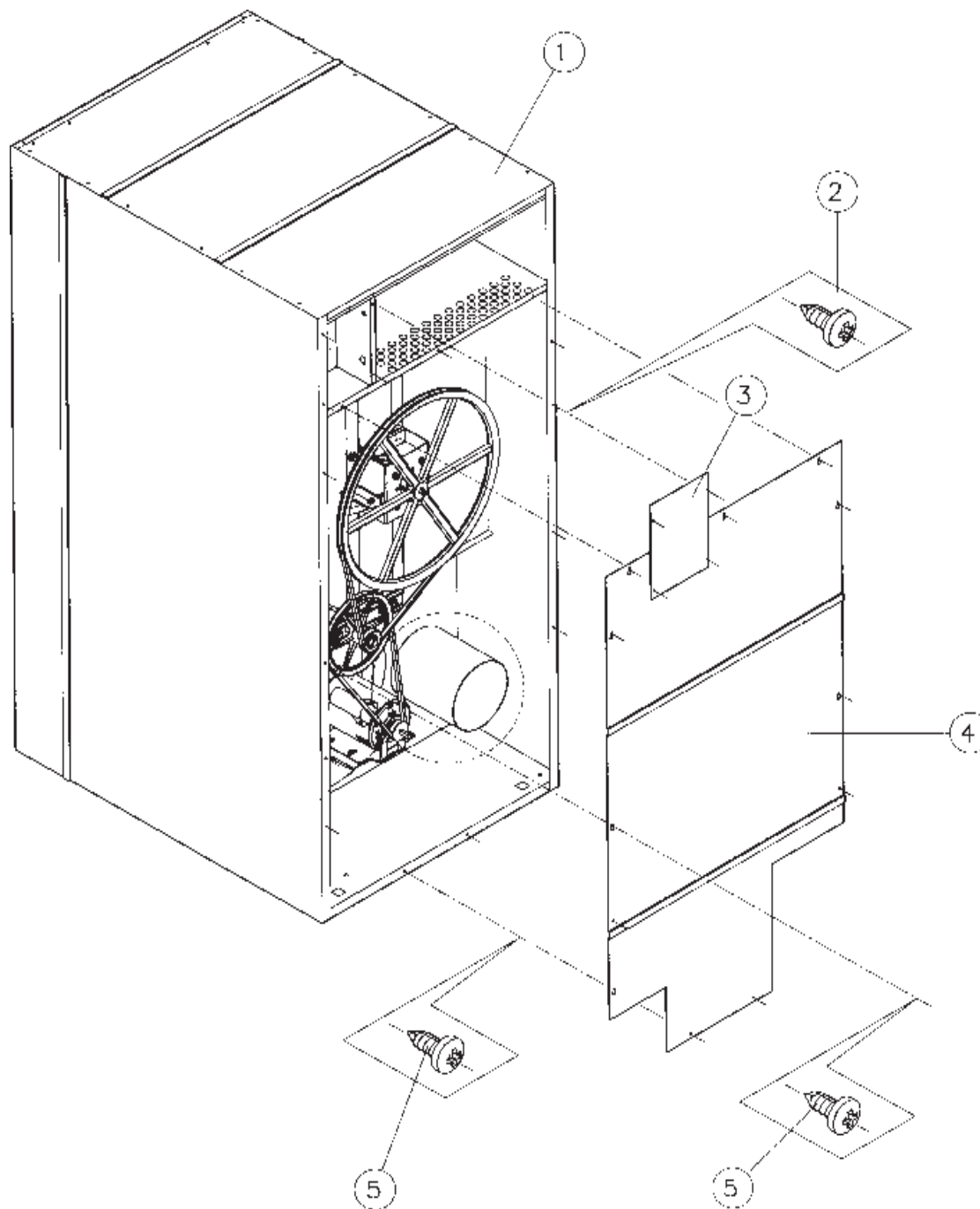
Ref. No.	PartNo.	Description
	CSA-01430WH	Complete Asm - WMC50 OPL
	CSA-01428WH	Complete Asm - WMC50 Coin
1	CSA-01099WH	Lintdoorw/latchholes(white) OPL
1	CSA-01429WH	Lintdoorw/lockholes(white) Coin
2	CSA-00838-0	Kickplate
3	SB-00949-0	Fastenerplastickickplate
4	CA-12029-0	InsulationlowerfrontpanelWMC50
5	SB-00915-0	Screwselfdrilling#10-16X5/8
6	TU2853	Gasket
7	CA-00647-0	Handlelintdoor
8	CA-00841-0	Label (notpartofassy.)
9	CA-00655-0	Trim-rubrail-specify35"long
10	CA-11359-0	CamLock
11	CA-00121-0	Lock
12	CA-00119-0	Key
13	CA-00123-0	Latch-trigger

# BASKET & SPIDER ASSEMBLY



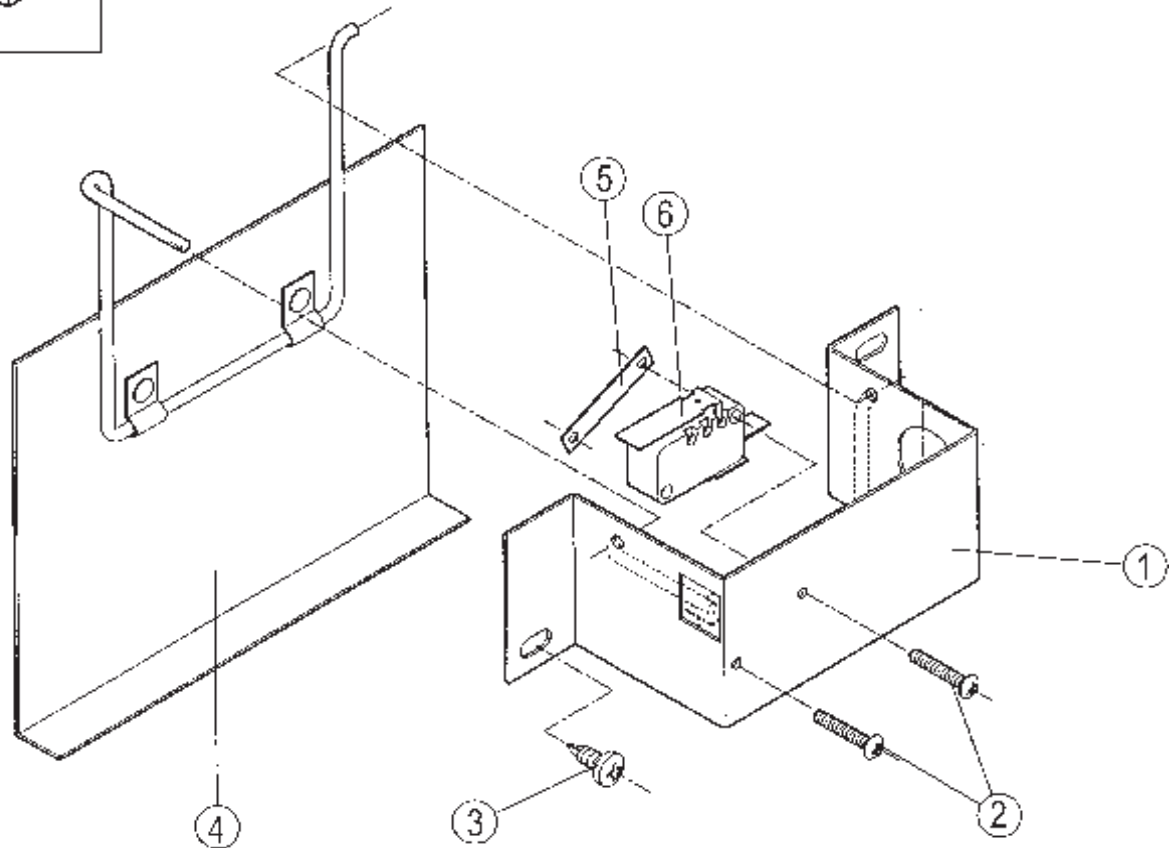
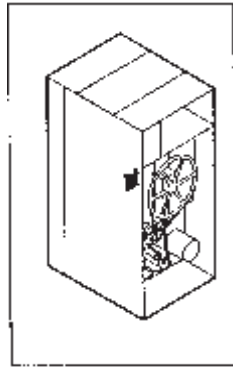
Ref. Nb.	PartNb.	Description
	CSA-01541-0	Basket & Spider Asm. WMC50 - S.S.
	CSA-01632-0	Basket & Spider Asm. WMC50 - Galv.
1	CSA-01540-0	Stainless steel basket assy.
1	CSA-01631-0	Galvanized basket assy.
2	CSA-00822-0	Spider assy.
3	TU5439	Screw-cap 5/16-18 X 3/4"
4	TU2814	Lockwasher 5/16"
5	SB-00843-0	Washer fender 3/8" X 1 1/2"
6	SB-00906-0	Nut 5/16" - 18 stover
7	TU2814	Lockwasher 5/16"
9	TU7006	Shim
10	CA-13208	Basket ribs support
11	DA-11249-0	Tier rod
12	SB-009650-0	Screw-button cap 5/16-18

# REAR VIEW



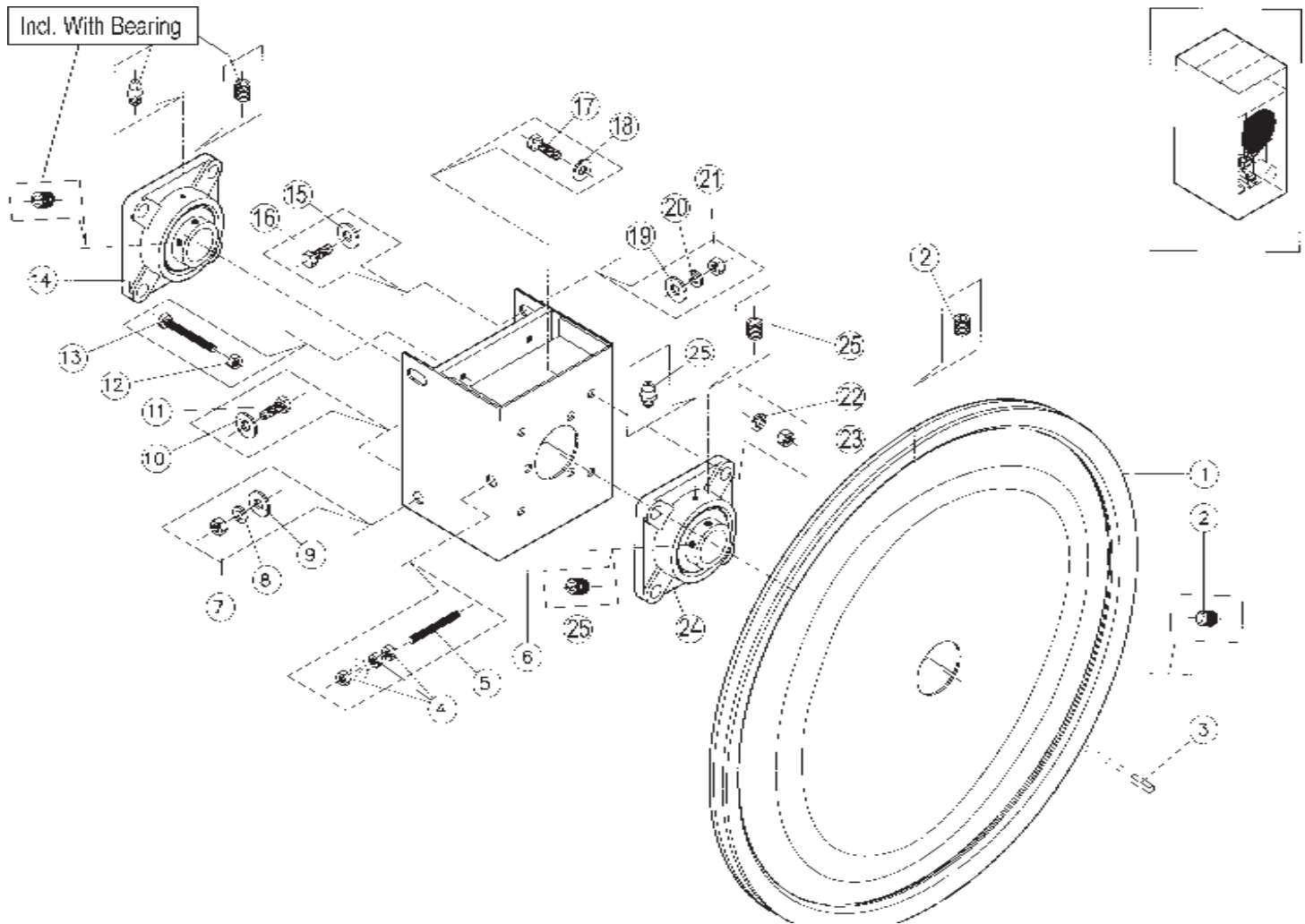
Ref. Nb.	PartNb.	Description
1	CA-12073-0	Toppanel
2	TU7733	Screwselfdrilling8-18*1/2"
3	CA-11936-0	Coverplate
4	CA-12016-0	Backpanel
5	TU7733	Screwselfdrilling8-18*1/2"

# AIR SWITCH ASSEMBLY



Ref. Nb.	PartNb.	Description
	CSA-01334-0	Sail switchassy. complete
1	CA-11854-0	Bracket sail switch
2	SB-00955-0	Screw phillips #4X3/4"
3	TU7733	Screw selfdrilling 8-18*1/2"
4	CSA-01669-0	Sail switch plate and rodassy.
5	SB-00954-0	Clip-twin-Timmerman
6	EA-00618-0	Microswitch

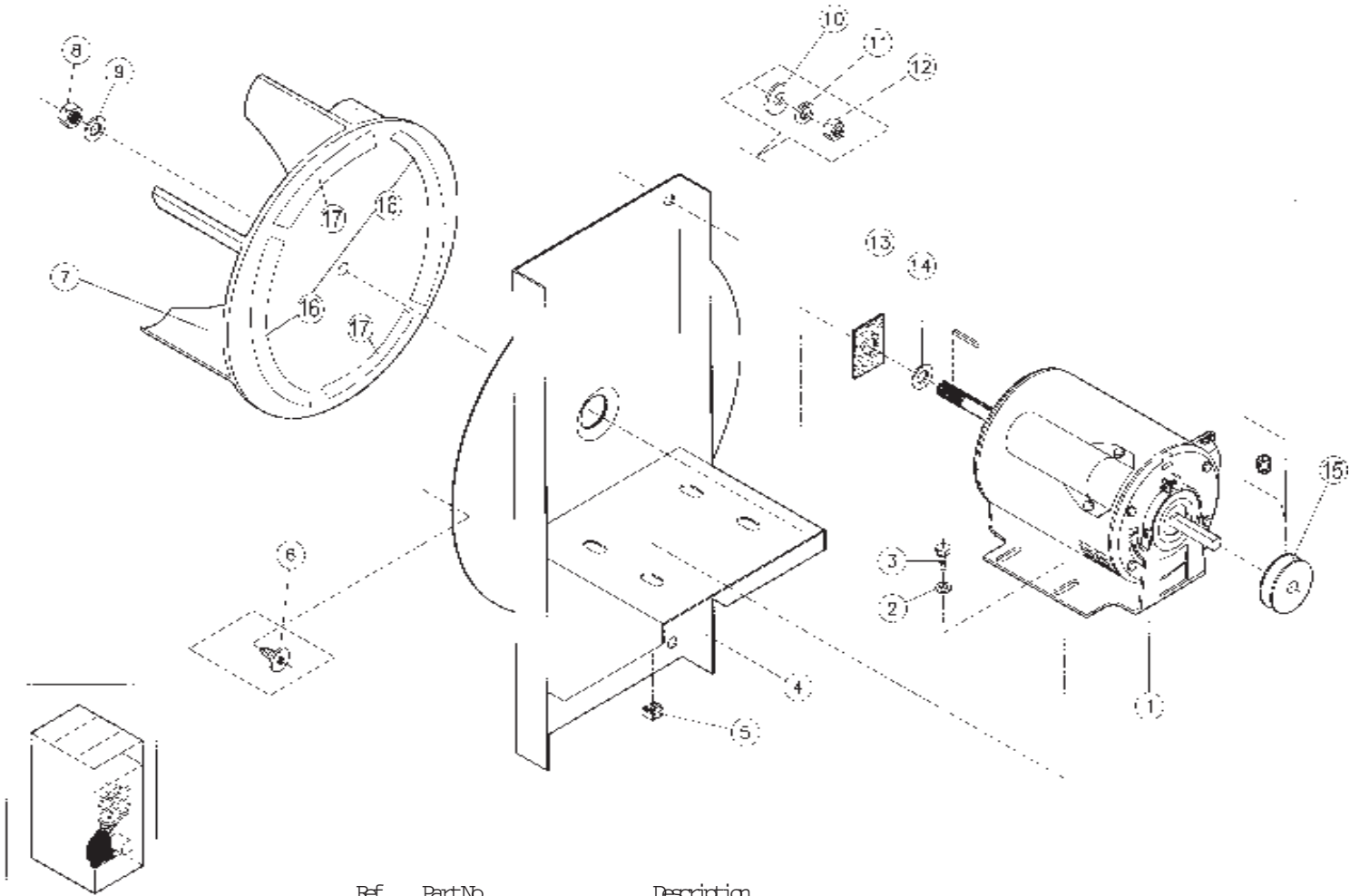
# BASKET BEARINGS, SUPPORT, AND SHEAVE



Ref. Nb.	PartNo.	Description
1	DA-11912-0	Pulley-basket
2		Partofpulley
3	DA-11914-0	Key
4	C249	Hexnut 5/16-18"
5	SB-00876-0	Stud-5/16-18"
6	DSA-00728-0	Bearingboxassy.
7	TU4787	Hexnut 3/8-16"
8	VSB134	LockWasher 3/8"
9	IB140	Washer 3/8"
10	IB140	Washer 3/8"
11	IB139	Screw3/8-16*1-1/4"
12	C249	Hexnut 5/16-18"
13	SB-00935-0	Screwcap 5/16 - 18 X 3
14	DA-00421-0	Bearingflange13/8"

Ref. Nb.	PartNo.	Description
15	IB140	Washer 3/8"
16	IB139	Screw3/8-16*1-1/4"
17	IB139	Screw3/8-16*1-1/4"
18	IB140	Washer 3/8"
19	IB140	Washer 3/8"
20	VSB134	LockWasher 3/8"
21	TU4787	Hexnut 3/8-16"
22	VSB134	LockWasher 3/8"
23	TU4787	Hexnut 3/8-16"
24	DA-00421-0	Bearing-flange13/8"
25		Partofbearing

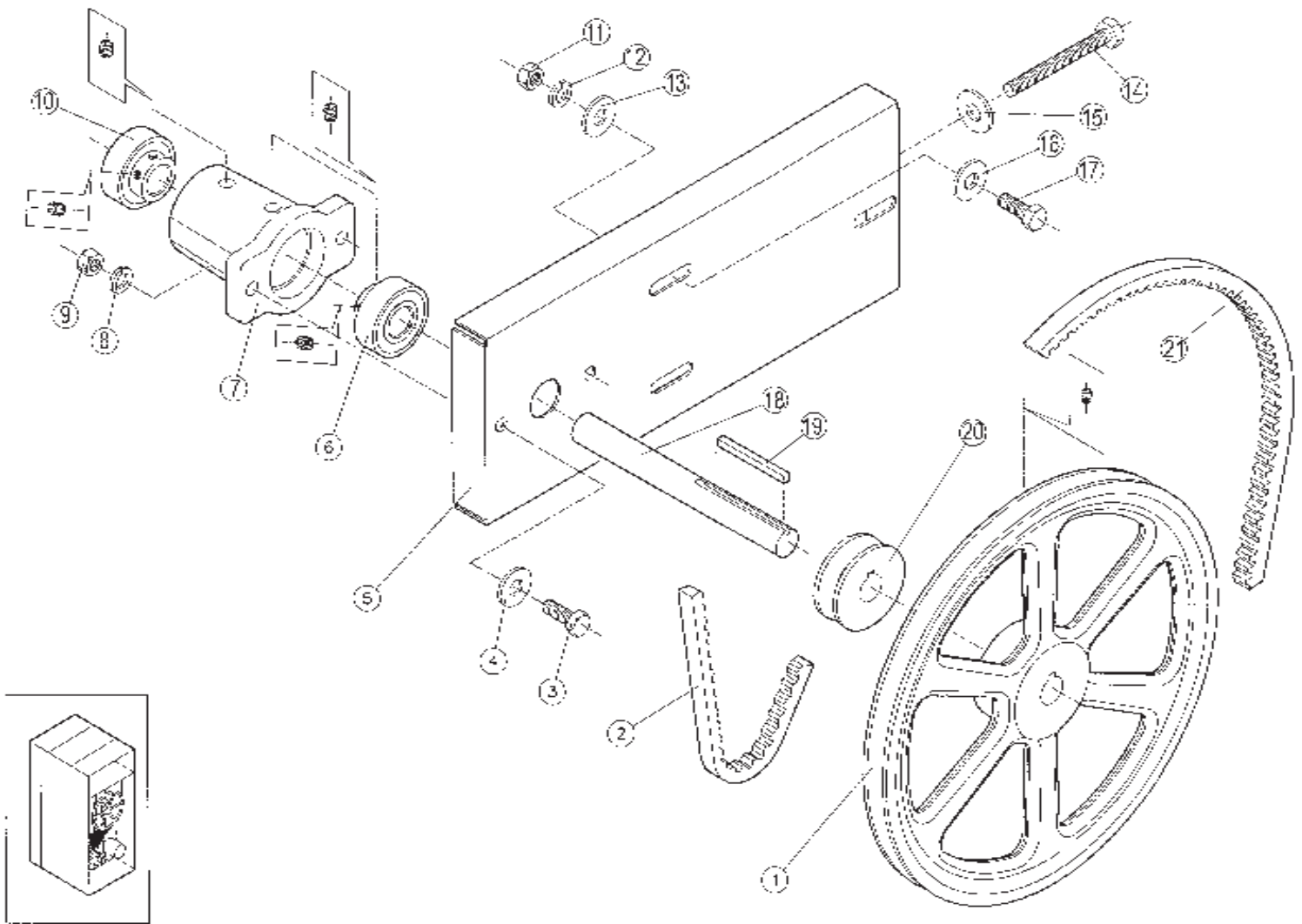
# MOTOR & FAN ASSEMBLY- NON-REVERSING



Ref. Nb.	PartNo.	Description
1	DA-00494-0	Fanmotor 1/2HP115/208/230/60/50/1
1	DA-00447-0	Fanmotor 1/2HP220/380/60/50/3
2	TU2814	Lockwasher 5/16"
3	TU5439	Screw-cap 5/16-18X3/4"
4	DSA-00782-0	Motormount w/a-non-rev.
5	SB-00842-0	Nut, grip, Timmerman
6	SB-00836-0	Screw, phillips, pancakehead
7	DSA-00773-0	Fan (12")
8	SB-00813-0	Nut 1/2-20" -Left hand thread
9	SB-00847-0	Washer -1" O.D. X .505 I.D.
10	IB140	Washer cut 3/8"
11	VSB134	Washer lock 3/8"
12	TU4787	Hexnut 3/8-16"
13	DA-00460-0	Seal, acoustical
14	SB-00847-0	Washer -1" O.D. X .505 I.D.
15	DA-00510-0	Sheave, 60 cycle, 1/2" bore
15	DA-00511-0	Sheave, 50 cycle, 1/2" bore
16	TU2473	Gasket-curved (2req'd)
17	TU2474	Gasket-straight (2req'd)

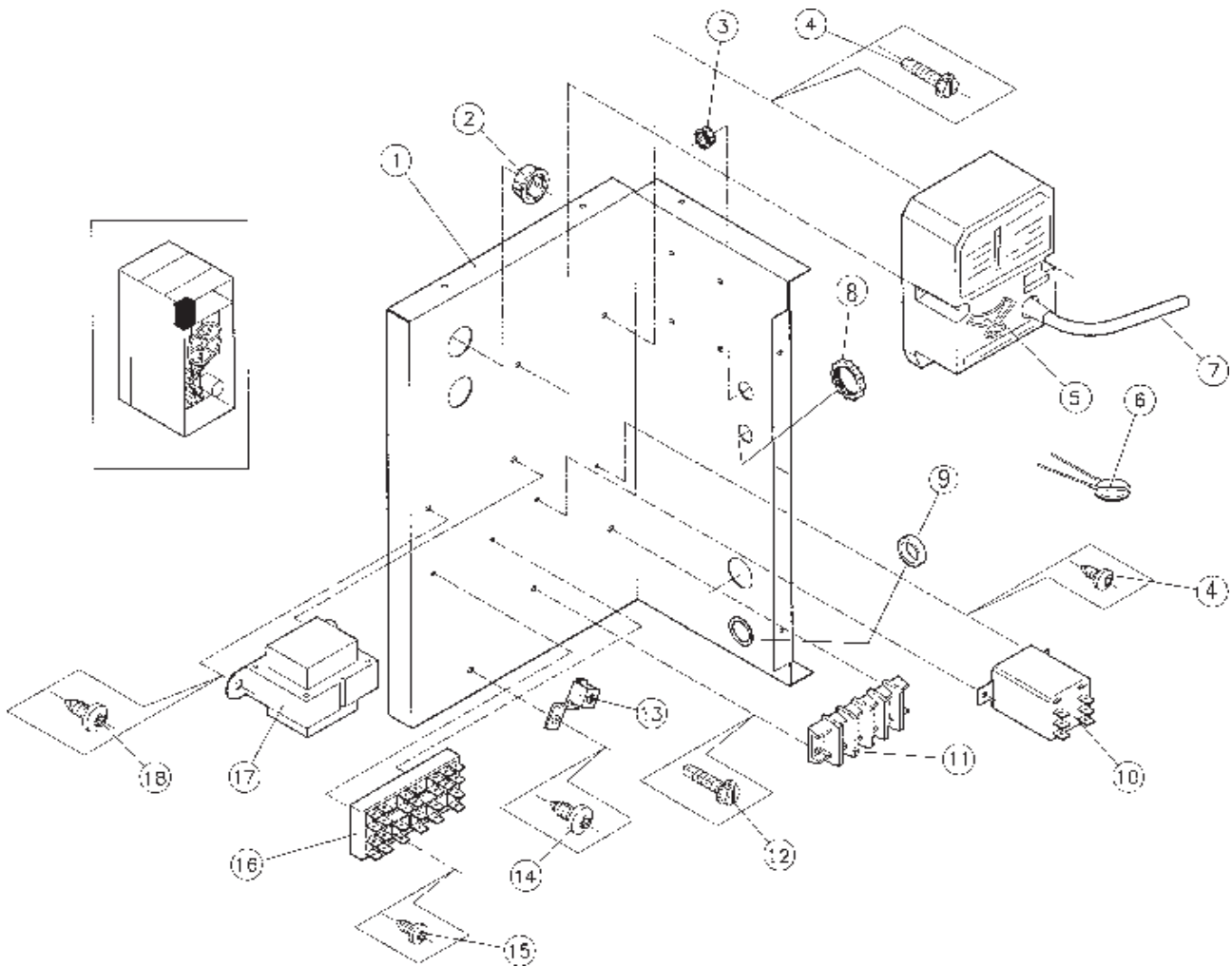


# IDLER ASSEMBLY



Ref. No.	PartNo.	Description	Ref. No.	PartNo.	Description
1	DA-11904-0	Idlerpulley11"	11	C249	HexNut 5/16-18"
2	DA-00917-0	Basketbelt-non-reversing-AX70	12	TU2814	LockWasher 5/16"
2	DA-00497-0	Basketbelt-reversing-AX71	13	VSB130	Washer 5/16"
3	FB124	Screw 5/16-18*1"	14	SB-00935-0	Screw 5/16"-18X3"
4	VSB130	Washer 5/16"	15	VSB130	Washer 5/16"
5	CA-12059-0	Idleradjustingplate	16	VSB130	Washer 5/16"
6	DA-00518-0	Bearing	17	TU5439	Screw 5/16-18*1"
7	DA-00517-0	Housing-idlerbearing	18	DA-11711-0	Idlershaft
8	TU2814	Lock washer 5/16"	19	TUD0187	Key 3/16square 2-1/2"
9	C249	HexNut 5/16-18"	20	DA-11901-0	Vbeltpulley
10	DA-00518-0	Bearing	21	DA-00494-0	Belt-motortoidlerpulleyAX50 Non-reversing
			21	DA-00523-0	Belt-motortoidlerpulleyAX66 Reversing

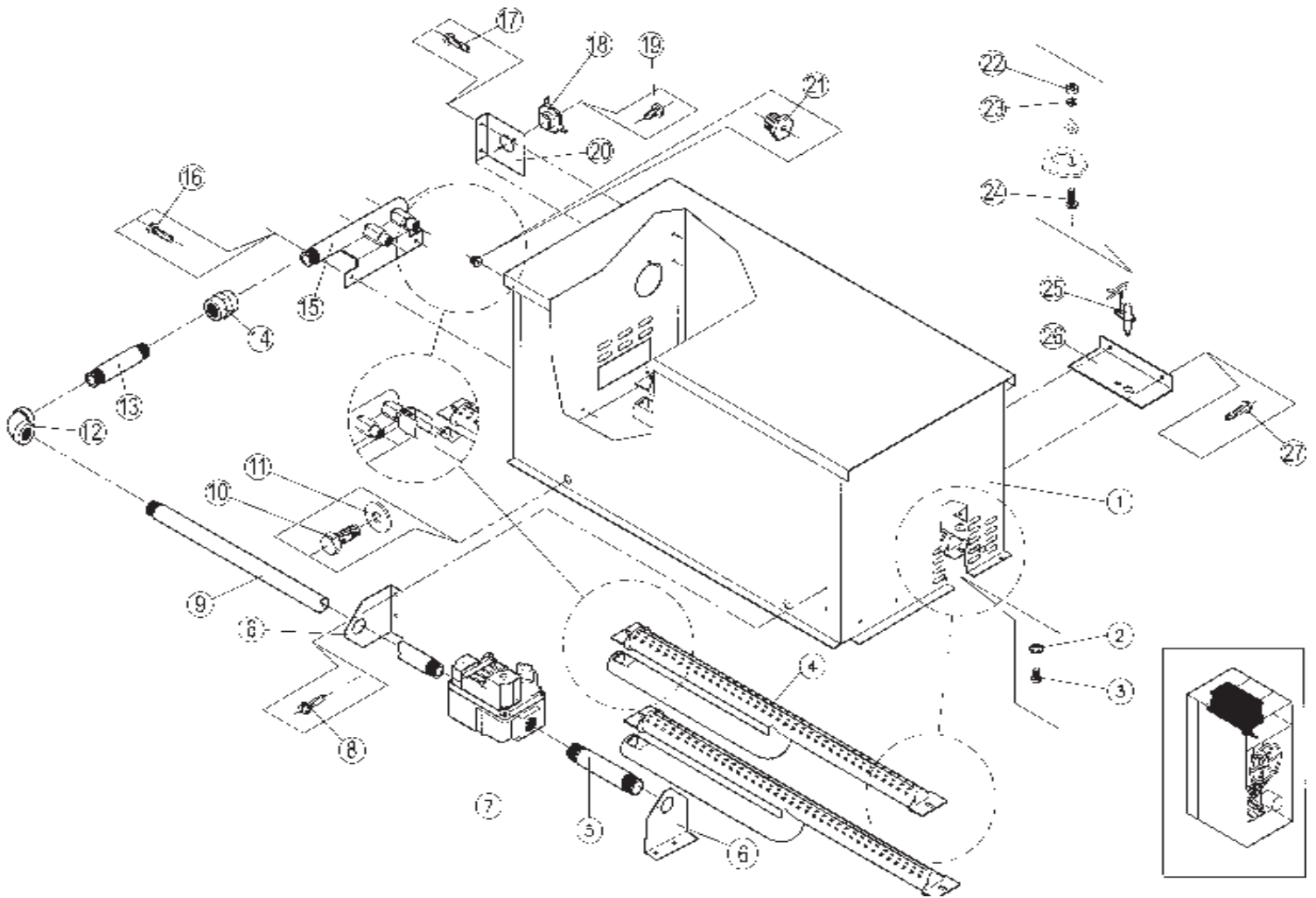
# REAR CONTROL PANEL ASSEMBLY



Ref. Nb.	PartNo.	Description
	ESA-00966-0	Wireboxassy, rear, gas -115V-2 timer
	ESA-00974-0	Wireboxassy, rear, gas -208/240V-2 timer
1	CA-11935-0	Rear wiring box
2	SB-00868-0	Bushing, insulating 7/8"
3	SB-00867-0	Bushing, insulating 1/2"
4	TU7733	Screwselfdrilling 8-18X1/2"
5	GA-00765-0	Ignitor ram III DSI
6	EA-00651-0	Varistor/relay/motor
7	GA-00803-0	High voltage lead/ram
8	TU2490	Plug button
9	EA-00680-0	Knock-out plug
10	EA-11618-0	Motor relay-3 pole-30 amp-24V

Ref. Nb.	PartNo.	Description
11	EA-00467-0	Terminal block
12	TU7733	Screwselfdrilling 8-18X1/2"
13	TU7738	Ground lug
14	TU7733	Screwselfdrilling 8-18X1/2"
15	SB-00865-0	Screwselfdrilling 6-20X1/2"
16	EA-00210-0	Terminal block
17	EA-00646-0	Transformer 24V
18	TU7733	Screwselfdrilling 8-18X1/2"

# GAS HEATING UNIT



Ref. Nb.	PartNo.	Description	Ref. Nb.	PartNo.	Description
	GSA-0778-0	Comp. assy. -Nat. gas			
1	GSA-00255-0	Housing gasburner	14	OP314	Union (gaspipe)
2	TU11613-0	Lockwasher 10 external tooth	15	GSA-00508-0	Manifold assy.
3	SB-00831-0	Screw 10-32*3/8"	16	TU7733	Screw selfdrilling 8-18X1/2"
4	GSA-00756-0	Gasburner	17	TU7733	Screw selfdrilling 8-18X1/2"
5	OP308	Nipple-1/2" X4"	18	FA-00245-0	Thermostat HI LIMIT-330°
6	CA11878-0	Bracket-pipe	19	TU7733	Screw selfdrilling 8-18X1/2"
7	GA-00770-0	Gas valve 24V1/2" (Nat. gas)	20	CA11028-0	Bracket thermostat
8	TU7733	Screw selfdrilling 8-18X1/2"	21	GA-00761-0	Gas orifice (specify size)
9	TU7358	Gas pipe 1/2 X 3/4"	22	TU3266	Hex nut-brass 8-32"
10	TU5439	Screw cap 5/16-18X3/4"	23	AT368	Lockwasher #8
11	VSB130	Washer 5/16"	24	M262	Screw mach. truss head 8/32X3/8"
12	390501053	Elbow 1/2"	25	GA-11003-0	Gas ignition electrode
13	OP308	Nipple 1/2" X4"	26	GA-10457-0	Bracket
			27	TU7733	Screw selfdrilling 8-18X1/2"

## Free Manuals Download Website

<http://myh66.com>

<http://usermanuals.us>

<http://www.somanuals.com>

<http://www.4manuals.cc>

<http://www.manual-lib.com>

<http://www.404manual.com>

<http://www.luxmanual.com>

<http://aubethermostatmanual.com>

Golf course search by state

<http://golfingnear.com>

Email search by domain

<http://emailbydomain.com>

Auto manuals search

<http://auto.somanuals.com>

TV manuals search

<http://tv.somanuals.com>