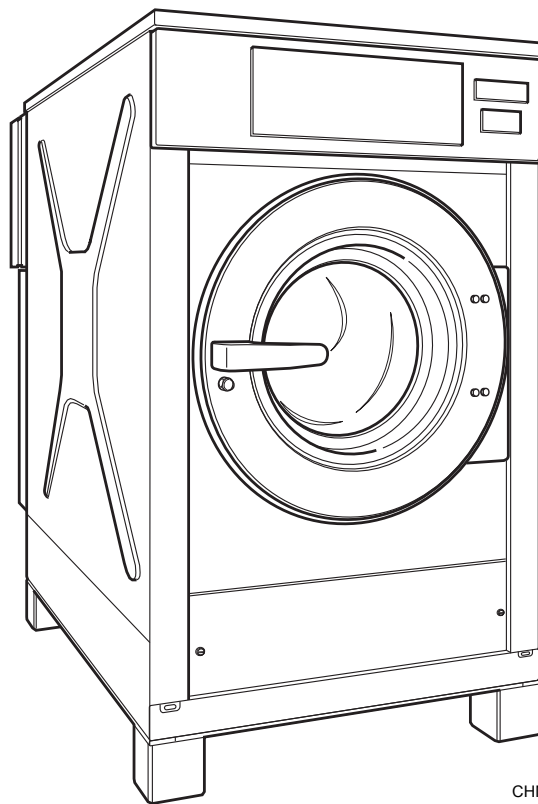


On-Premise Laundry Planning Handbook



CHM2172N

IHF Washer-Extractors

Refer to Installation manual for full instructions.



Table of Contents

Washer-Extractors	2
Introduction	2
Model Identification - IHF Washer-Extractors	2
Specifications and Dimensions - Model IHF033	3
Specifications and Dimensions - Model IHF045	5
Specifications and Dimensions - Model IHF055	7
Installation - Models IHF033, IHF045 and IHF055	10
Specifications and Dimensions - Model IHF075	11
Installation - Model IHF075	14
Specifications and Dimensions - Model IHF100	15
Specifications and Dimensions - Model IHF135	18
Installation - Models IHF100 and IHF135	21
Specifications and Dimensions - Model IHF165	22
Installation - Model IHF165	25

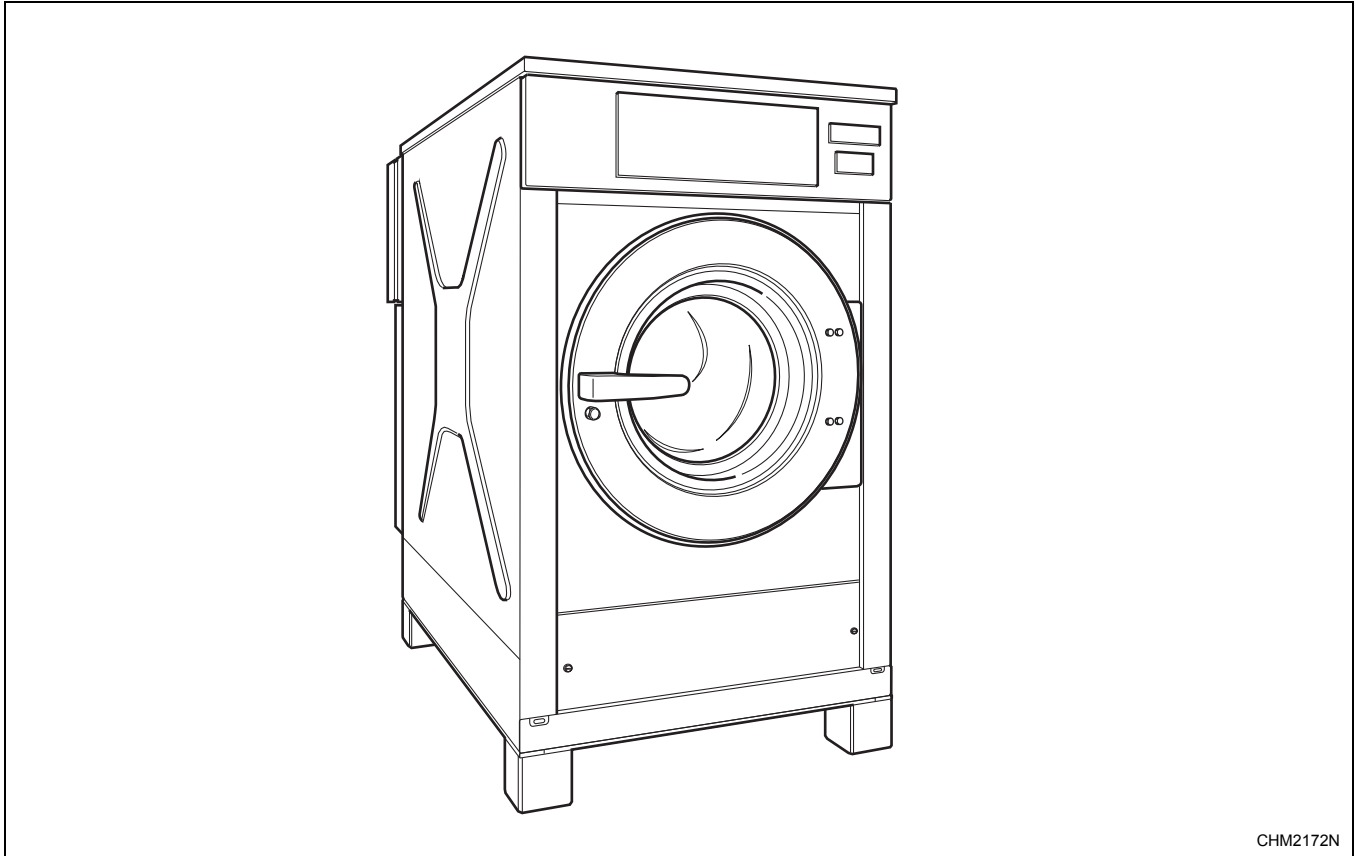
© Published by permission of the copyright owner.

All rights reserved. No part of the contents of this book may be reproduced or transmitted in any form or by any means without the expressed written consent of the publisher.

Washer-Extractors

Introduction

Model Identification - IHF Washer-Extractors



CHM2172N

Figure 1

IHF033	IHF075	IHF165
IHF045	IHF100	
IHF055	IHF135	

Washer-Extractors

Specifications and Dimensions - Model IHF033

Capacity (dry weight) Ratio (kg/l)	
1:11	29 lbs. (13 kg)
1:10	32 lbs. (14.5 kg)
1:9	35 lbs. (16 kg)
Cylinder	
Cylinder diameter, in. (mm)	26.8 (680)
Cylinder depth, in. (mm)	15.76 (400)
Cylinder volume, ft. ³ (l)	31.9 (145)
Cabinet	
Overall height, in. (mm)	53.11 (1348)
Overall width, in. (mm)	30.73 (780)
Overall depth, in. (mm)	33 (840)
Front Loading	
Door opening size, in. (mm)	15.6 (395)
Height of door bottom above floor, in (mm)	22.26 (565)
Height of door center above floor, in (mm)	30.34 (770)
Speed	
Wash	10-50 tr/min - RPM
Distribution	85 tr/min - RPM
Low Spin	250-500 tr/min - RPM
High Spin	500-1000 tr/min - RPM
G-factor	
Low Spin/High Spin	94 / 380
Motor (3 phase), 4p, 1470 tr/min	2.95 HP/2.2 kW
Drain Valve, in. (mm)	2 (51)
Water Supply (hard, soft, warm water), in. (mm)	.75 (19)
Direct Steam Heating	
Steam inlet connection size, in. (mm)	.38 (10)
Heating	
Electrical Heating (230/400 V)	12/15/18 kW
Electrical Heating (400V)	21/24 kW
Steam	87 psi (6 bar)
Warm Water (without additional heating)	Not Applicable
Warm Water (with additional heating)	Not Applicable
Packing Dimensions (height X width X depth), in. (mm)	58.86 X 33.46 X 36.61 (1495 X 850 X 930)
Weight	
Net weight, lbs. (kg)	935 (424)
Gross weight, lbs. (kg)	970 (440)

Machine Dimensions - Model IHF033

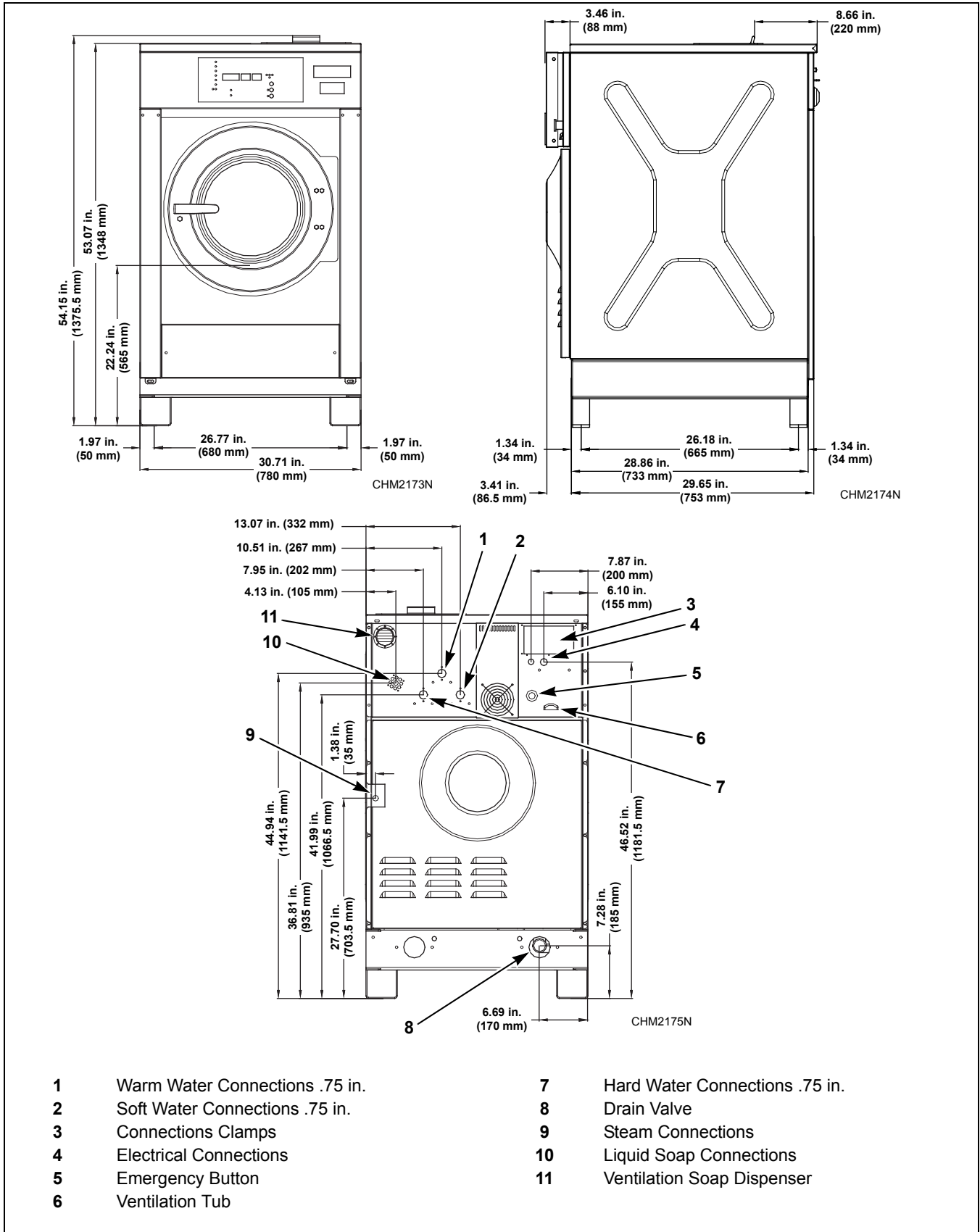


Figure 2

Washer-Extractors

Specifications and Dimensions - Model IHF045

Capacity (dry weight) Ratio (kg/l)	
1:11	36 lbs. (16.4 kg)
1:10	40 lbs. (18 kg)
1:9	44 lbs. (20 kg)
Cylinder	
Cylinder diameter, in. (mm)	26.8 (680)
Cylinder depth, in. (mm)	19.7 (500)
Cylinder volume, ft. ³ (l)	39.8 (181)
Cabinet	
Overall height, in. (mm)	53.11 (1348)
Overall width, in. (mm)	30.73 (780)
Overall depth, in. (mm)	37 (940)
Front Loading	
Door opening size, in. (mm)	15.6 (395)
Height of door bottom above floor, in (mm)	22.26 (565)
Height of door center above floor, in (mm)	30.34 (770)
Speed	
Wash	10-50 tr/min - RPM
Distribution	85 tr/min - RPM
Low Spin	250-500 tr/min - RPM
High Spin	500-1000 tr/min - RPM
G-factor	
Low Spin/High Spin	94 / 380
Motor (3 phase), 4p, 1470 tr/min	2.95 HP/2.2 kW
Drain Valve, in. (mm)	2 (51)
Water Supply (hard, soft, warm water), in. (mm)	.75 (19)
Direct Steam Heating	
Steam inlet connection size, in. (mm)	.38 (10)
Heating	
Electrical Heating (230/400 V)	12/15/18 kW
Electrical Heating (400V)	21/24 kW
Steam	87 psi (6 bar)
Warm Water (without additional heating)	Not Applicable
Warm Water (with additional heating)	Not Applicable
Packing Dimensions (height X width X depth), in. (mm)	58.86 X 33.46 X 40.55 (1495 X 850 X 1030)
Weight	
Net weight, lbs. (kg)	1001 (454)
Gross weight, lbs. (kg)	1036 (470)

Machine Dimensions - Model IHF045

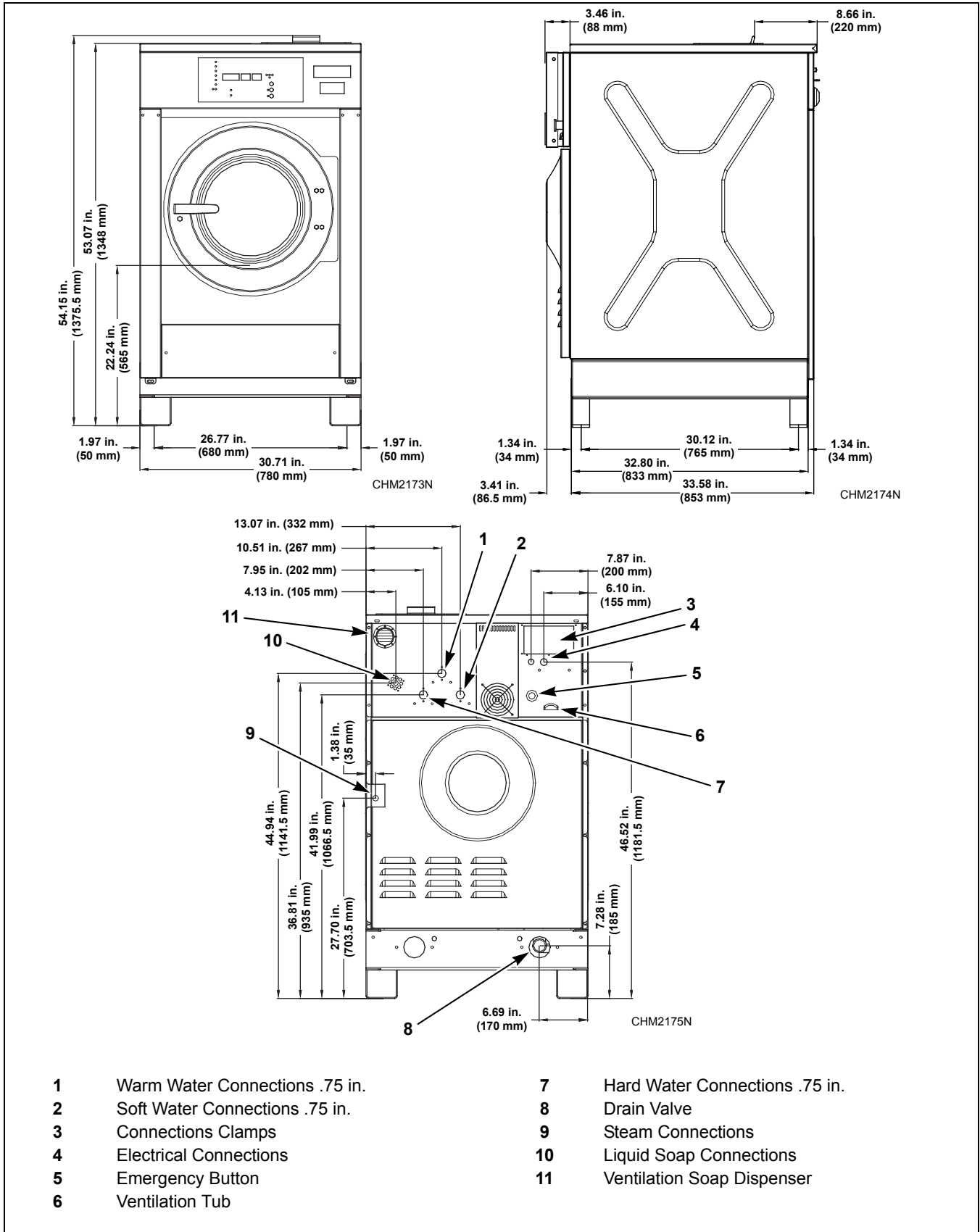


Figure 3

Washer-Extractors

Specifications and Dimensions - Model IHF055

Capacity (dry weight) Ratio (kg/l)	
1:11	47 lbs. (21.3 kg)
1:10	52 lbs. (23.4 kg)
1:9	57 lbs. (26 kg)
Cylinder	
Cylinder diameter, in. (mm)	29.53 (750)
Cylinder depth, in. (mm)	20.87 (530)
Cylinder volume, ft. ³ (l)	51.5 (234)
Cabinet	
Overall height, in. (mm)	59.25 (1505)
Overall width, in. (mm)	35.43 (900)
Overall depth, in. (mm)	38.78 (985)
Front Loading	
Door opening size, in. (mm)	15.6 (395)
Height of door bottom above floor, in (mm)	24.8 (630)
Height of door center above floor, in (mm)	32.28 (820)
Speed	
Wash	10-50 tr/min - RPM
Distribution	100 tr/min - RPM
Low Spin	250-500 tr/min - RPM
High Spin	500-1000 tr/min - RPM
G-factor	
Low Spin/High Spin	74 / 373
Motor (3 phase), 4p, 1470 tr/min	4.08 HP/3.0 kW
Drain Valve, in. (mm)	3 (76)
Water Supply (hard, soft, warm water), in. (mm)	.75 (19)
Direct Steam Heating	
Steam inlet connection size, in. (mm)	.5 (13)
Heating	
Electrical Heating (230/400 V)	12/15/18 kW
Electrical Heating (400V)	24 kW
Steam	87 psi (6 bar)
Warm Water (without additional heating)	Not Applicable
Warm Water (with additional heating)	Not Applicable
Packing Dimensions (height X width X depth), in. (mm)	65 X 41 X 46 (1650 X 1020 X 1150)
Weight	
Net weight, lbs. (kg)	1257 (570)
Gross weight, lbs. (kg)	1389 (630)

Machine Dimensions - Model IHF055

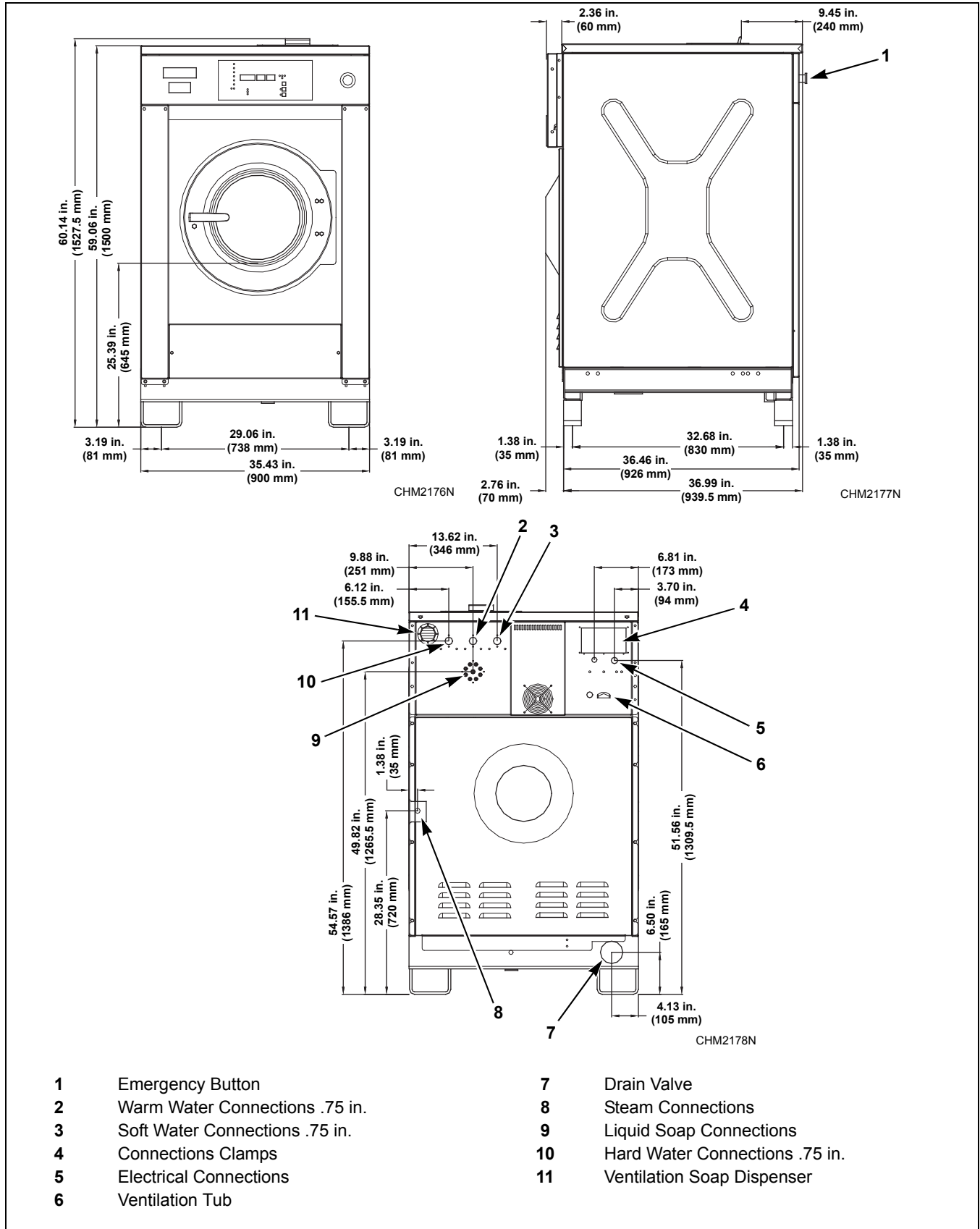


Figure 4

Mounting Bolt Hole Locations - Model IHF055

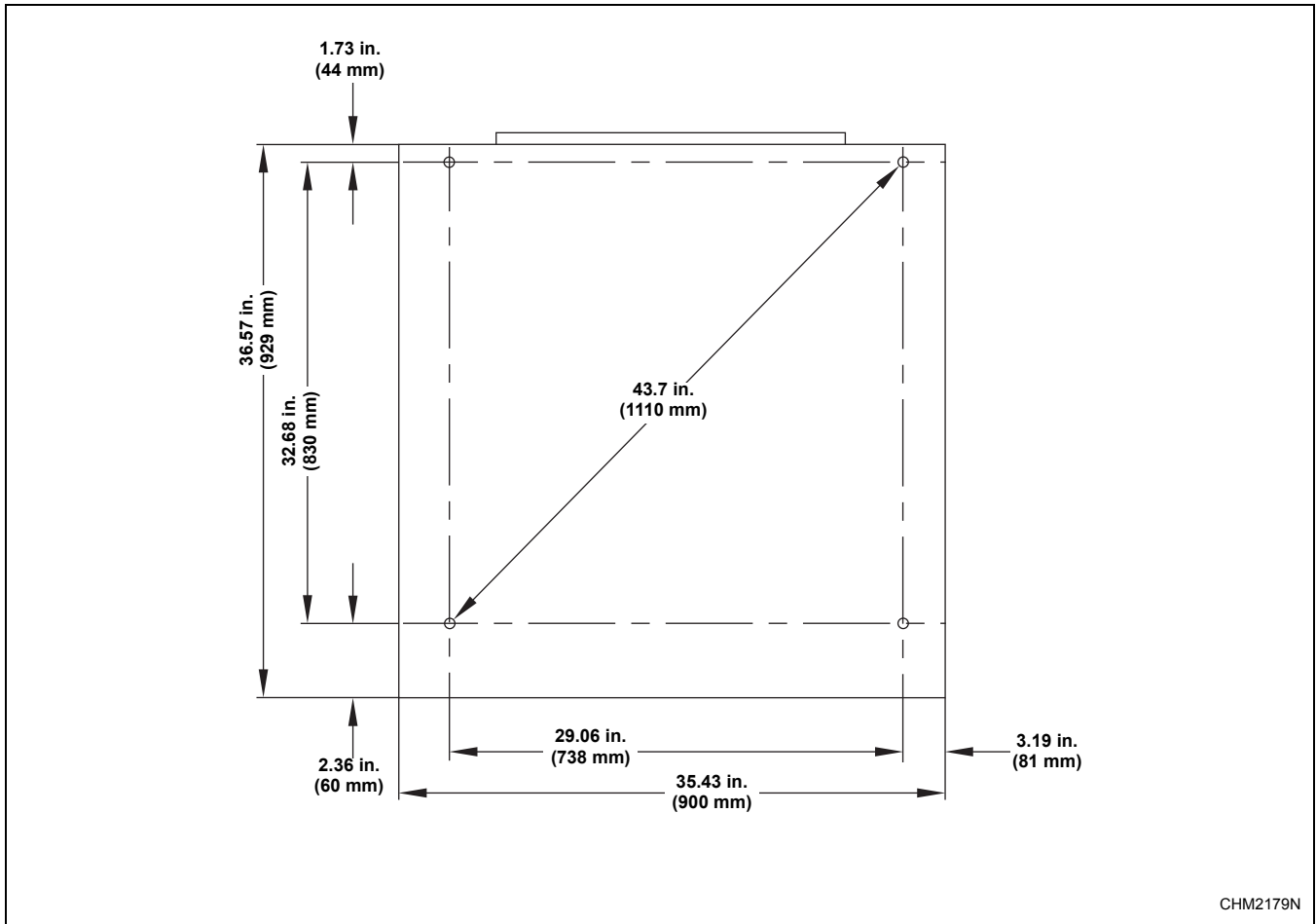


Figure 5

Installation - Models IHF033, IHF045 and IHF055

Ground

The machine must be placed on a flat, solid surface (metal base, concrete or solid ground). It is recommended that the machine be anchored on the provided places (1) in the base, especially in case of a plinth. Refer to *Figure 6*.

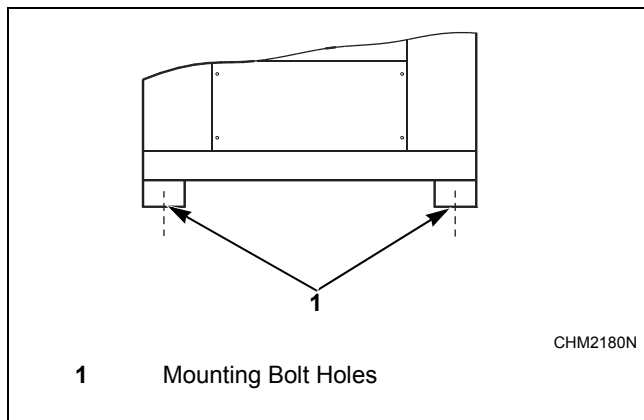


Figure 6

The machine must be placed entirely level. For easy maintenance it is recommended to keep a minimal distance of 23.62 in. (600 mm) between the wall and the back of the machine.

If several machines are placed next to each other, there should be a minimal distance of 1.18 in. (30 mm) between each machine.

Electrical Installation Requirements - Models IHF033, IHF045 and IHF055

Machine with steam heating or boiler fed machines without additional electrical heating		
	220V 3AC	380V 3AC + N
	16 A	16 A
Machine with electrical heating		
	220V 3AC	380V 3AC + N
9 kW	25 A	16 A
12 kW	40 A	20 A
15 kW	50 A	25 A
18 kW	50 A	32 A
21 kW	N/A	40 A
24 kW	N/A	40 A

Table 1

Washer-Extractors

Specifications and Dimensions - Model IHF075

Capacity (dry weight) Ratio (kg/l)	
1:11	62 lbs. (28 kg)
1:10	67 lbs. (30.4 kg)
1:9	73 lbs. (33.3 kg)
Cylinder	
Cylinder diameter, in. (mm)	33.46 (850)
Cylinder depth, in. (mm)	21.14 (537)
Cylinder volume, ft. ³ (l)	66.9 (304)
Cabinet	
Overall height, in. (mm)	60.23 (1530)
Overall width, in. (mm)	41.73 (1060)
Overall depth, in. (mm)	38.58 (980)
Front Loading	
Door opening size, in. (mm)	15.55 (395)
Height of door bottom above floor, in (mm)	24.80 (630)
Height of door center above floor, in (mm)	32.28 (820)
Speed	
Wash	10-50 tr/min - RPM
Distribution	100 tr/min - RPM
Low Spin	250-500 tr/min - RPM
High Spin	500-1000 tr/min - RPM
G-factor	
Low Spin	84
High Spin	383
Motor (3 phase), 4p, 1470 tr/min	5.36 HP/4.0 kW
Drain Valve, in. (mm)	
Depend-O-Drain	3 (76)
Option	2 (51)
Water Supply (hard, soft, hot water & cool-down), in. (mm)	.75 (19)
Direct Steam Heating	
Steam inlet connection size, in. (mm)	.5 (13)
Electrical	
Electrical Heating (220/380 V)	18 kW
Electrical Heating (380V)	18 kW - 24 kW - 30 kW
Steam	Not Applicable
Warm Water (without additional heating)	Not Applicable
Warm Water (with additional heating)	Not Applicable
Packing Dimensions (height X width X depth), in. (mm)	68 X 46 X 48 (1730 X 1160 X 1230)
Weight	
Net weight, lbs. (kg)	1907 (865)
Gross weight, lbs. (kg)	2090 (948)

Machine Dimensions - Model IHF075

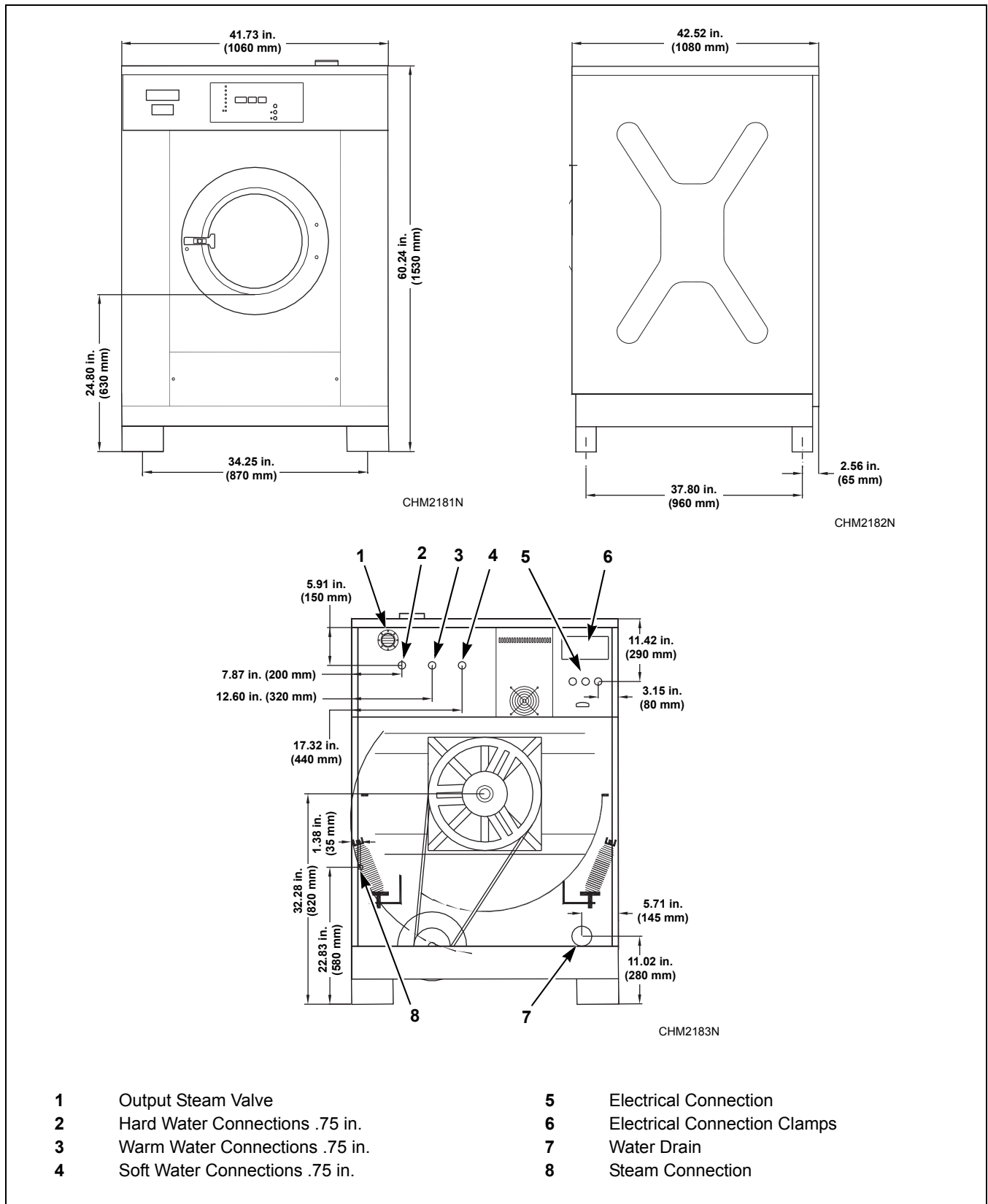


Figure 7

Mounting Bolt Hole Locations - Model IHF075

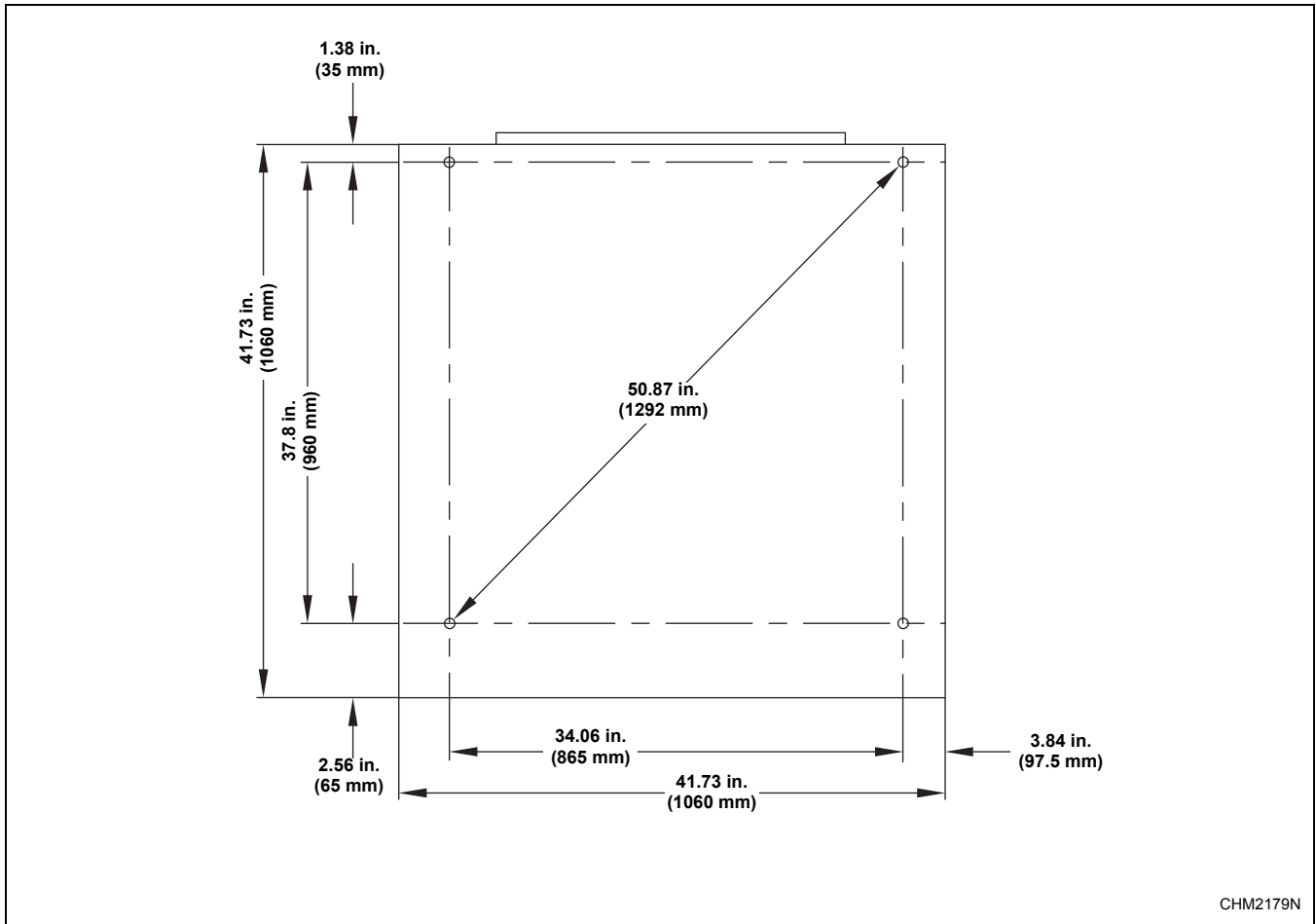


Figure 8

Installation - Model IHF075

Ground

The machine must be placed on a flat, solid surface (metal base, concrete or solid ground). It is recommended that the machine be anchored on the provided places (1) in the base, especially in case of a plinth. Refer to *Figure 9*.

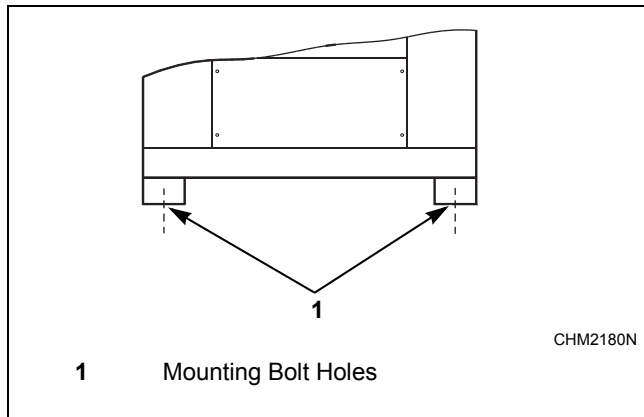


Figure 9

The machine must be placed entirely level. For easy maintenance it is recommended to keep a minimal distance of 23.62 in. (600 mm) between the wall and the back of the machine.

If several machines are placed next to each other, there should be a minimal distance of 1.18 in. (30 mm) between each machine.

Electrical Installation Requirements - Model IHC075

Machine with steam heating or boiler fed machines without additional electrical heating		
	220V 3AC	380V 3AC + N
	16 A	16 A
Machine with electrical heating		
	220V 3AC	380V 3AC + N
18 kW	50 A	32 A
21 kW	N/A	40 A
24 kW	N/A	40 A
30 kW	N/A	50 A

Table 2

Washer-Extractors

Specifications and Dimensions - Model IHF100

Capacity (dry weight) Ratio (kg/l)	
1:11	90.17 lbs. (40.9 kg)
1:10	99.21 lbs. (45 kg)
1:9	110.23 lbs. (50 kg)
Cylinder	
Cylinder diameter, in. (mm)	38.58 (980)
Cylinder depth, in. (mm)	23.50 (597)
Cylinder volume, ft. ³ (l)	118.9 (450)
Cabinet	
Overall height, in. (mm)	76.77 (1950)
Overall width, in. (mm)	47.24 (1200)
Overall depth, in. (mm)	46.85 (1190)
Front Loading	
Door opening size, in. (mm)	15.55 (395)
Height of door bottom above floor, in (mm)	31.50 (800)
Height of door center above floor, in (mm)	39.37 (1000)
Speed	
Wash	10-50 tr/min - RPM
Distribution	100 tr/min - RPM
Spin	250-400 tr/min - RPM
High Spin	500-800 tr/min - RPM
G-factor	
Spin	87
High Spin	350
Motor (3 phase), 4p, 1470 tr/min	10.05 HP/7.5 kW
Drain Valve, in. (mm)	3 (76)
Water Supply (hard, soft, hot water), in. (mm)	.75 (19)
Direct Steam Heating	
Steam inlet connection size, in. (mm)	.5 (13)
Electrical	
Electrical Heating (220/380 V)	27 kW
Electrical Heating (380 V)	36 kW
Steam	Not Applicable
Warm Water (without additional heating)	Not Applicable
Warm Water (with additional heating)	Not Applicable
Packing Dimensions (height X width X depth), in. (mm)	
Without Liquid Soap Pumps	83 X 53 X 56 (2100 X 1350 X 1430)
With Liquid Soap Pumps	83 X 61 X 56 (2100 X 1550 X 1430)
Weight	
Net weight, lbs. (kg)	2205 (1000)
Gross weight, lbs. (kg)	2646 (1200)

Machine Dimensions - Model IHF100

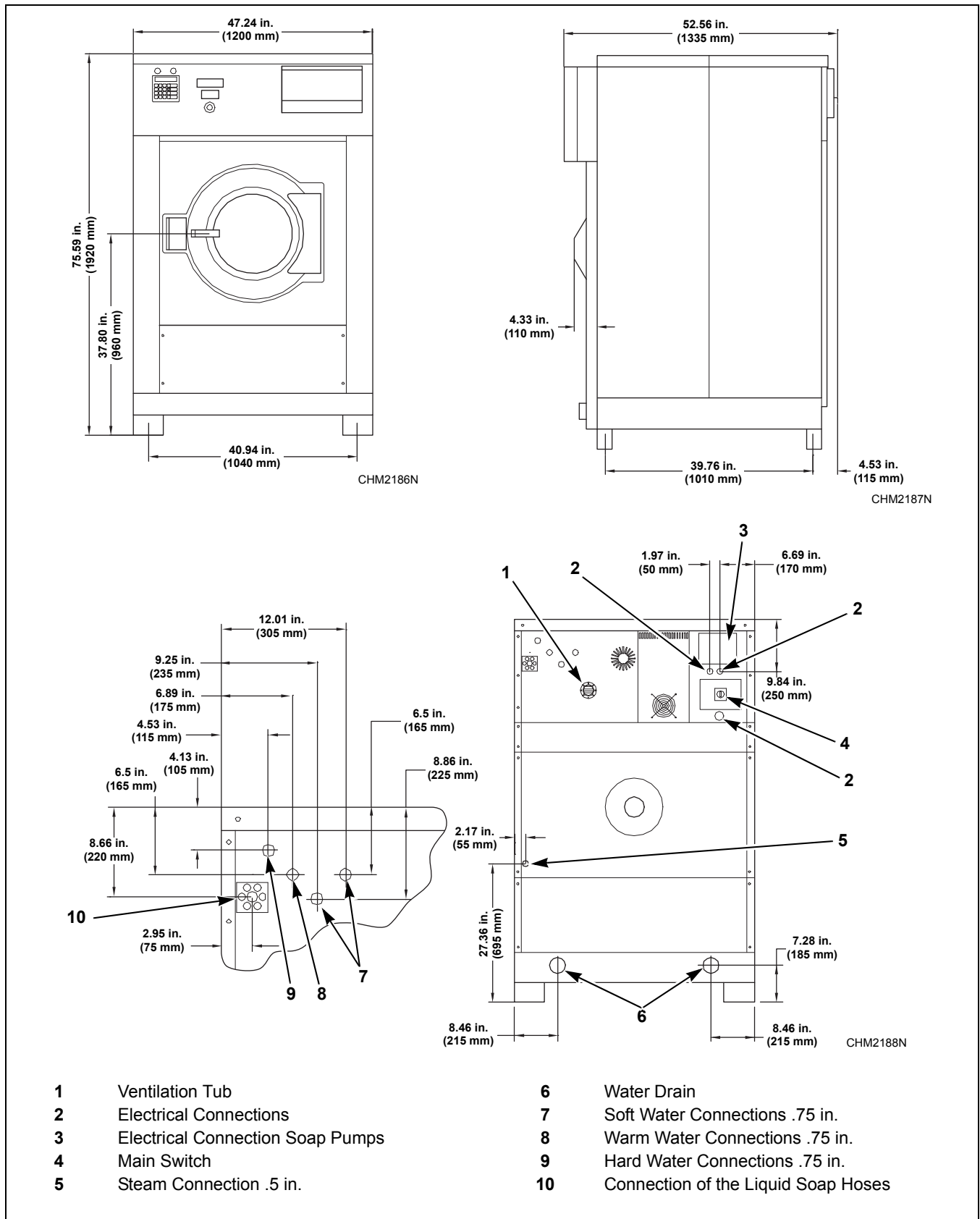


Figure 10

Mounting Bolt Hole Locations - Model IHF100

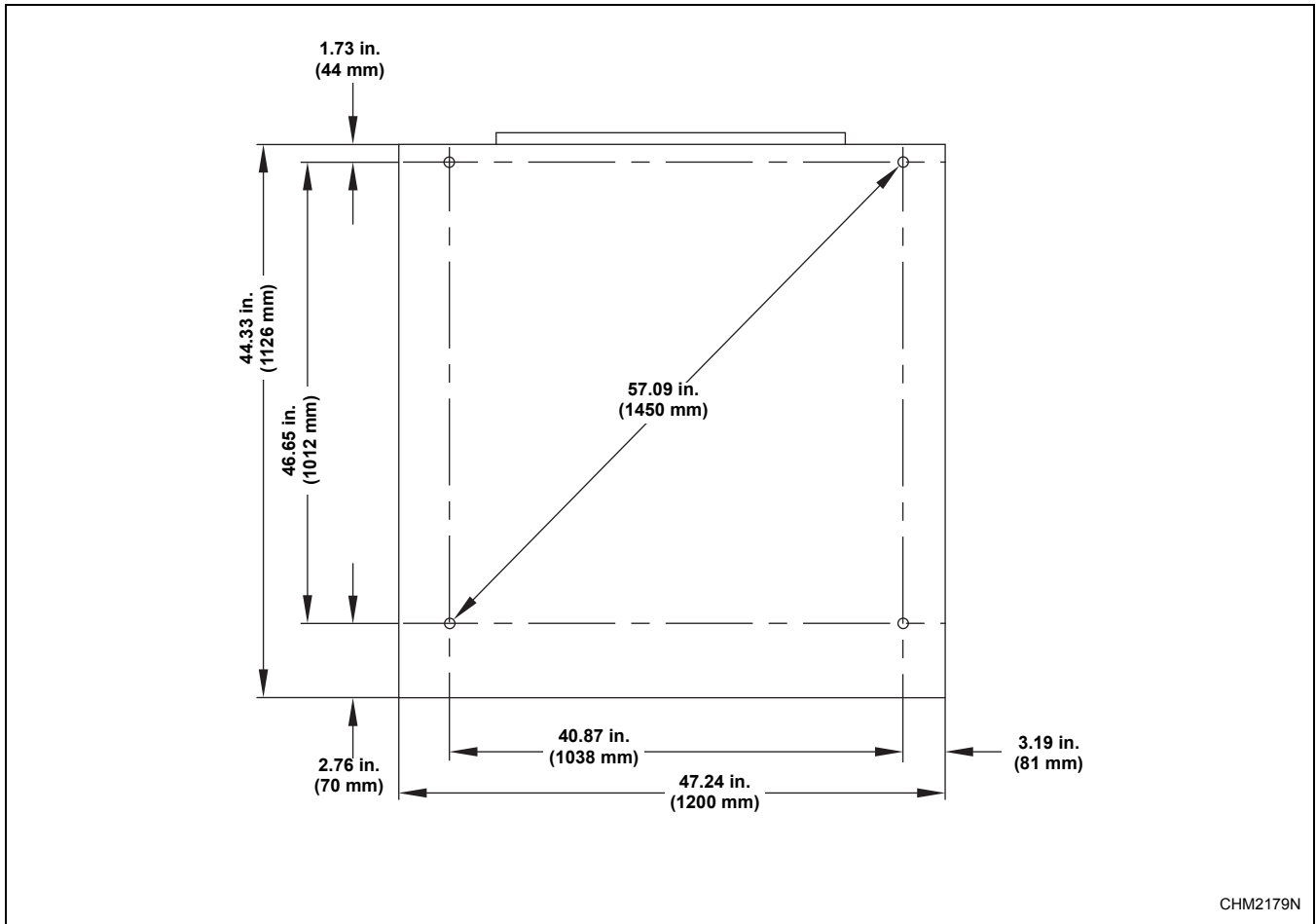


Figure 11

Specifications and Dimensions - Model IHF135

Capacity (dry weight) Ratio (kg/l)	
1:11	114 lbs. (51.8 kg)
1:10	126 lbs. (57 kg)
1:9	140 lbs. (63.3 kg)
Cylinder	
Cylinder diameter, in. (mm)	38.58 (980)
Cylinder depth, in. (mm)	30.51 (775)
Cylinder volume, ft. ³ (l)	150.6 (570)
Cabinet	
Overall height, in. (mm)	76.77 (1950)
Overall width, in. (mm)	47.24 (1200)
Overall depth, in. (mm)	55.31 (1405)
Front Loading	
Door opening size, in. (mm)	15.55 (395)
Height of door bottom above floor, in (mm)	31.50 (800)
Height of door center above floor, in (mm)	39.37 (1000)
Speed	
Wash	10-50 tr/min - RPM
Distribution	100 tr/min - RPM
Spin	250-400 tr/min - RPM
High Spin	500-800 tr/min - RPM
G-factor	
Spin	87
High Spin	350
Motor (3 phase), 4p, 1470 tr/min	10.05 HP/7.5 kW
Drain Valve, in. (mm)	3 (76)
Water Supply (hard, soft, hot water), in. (mm)	.75 (19)
Direct Steam Heating	
Steam inlet connection size, in. (mm)	.5 (13)
Electrical	
Electrical Heating (220/380 V)	27 kW
Electrical Heating (380 V)	36 kW
Steam	Not Applicable
Warm Water (without additional heating)	Not Applicable
Warm Water (with additional heating)	Not Applicable
Packing Dimensions (height X width X depth), in. (mm)	
Without Liquid Soap Pumps	83 X 53 X 64 (2100 X 1350 X 1630)
With Liquid Soap Pumps	83 X 53 X 64 (2100 X 1550 X 1630)
Weight	
Net weight, lbs. (kg)	2425 (1100)
Gross weight, lbs. (kg)	2866 (1300)

Washer-Extractors

Machine Dimensions - Model IHF135

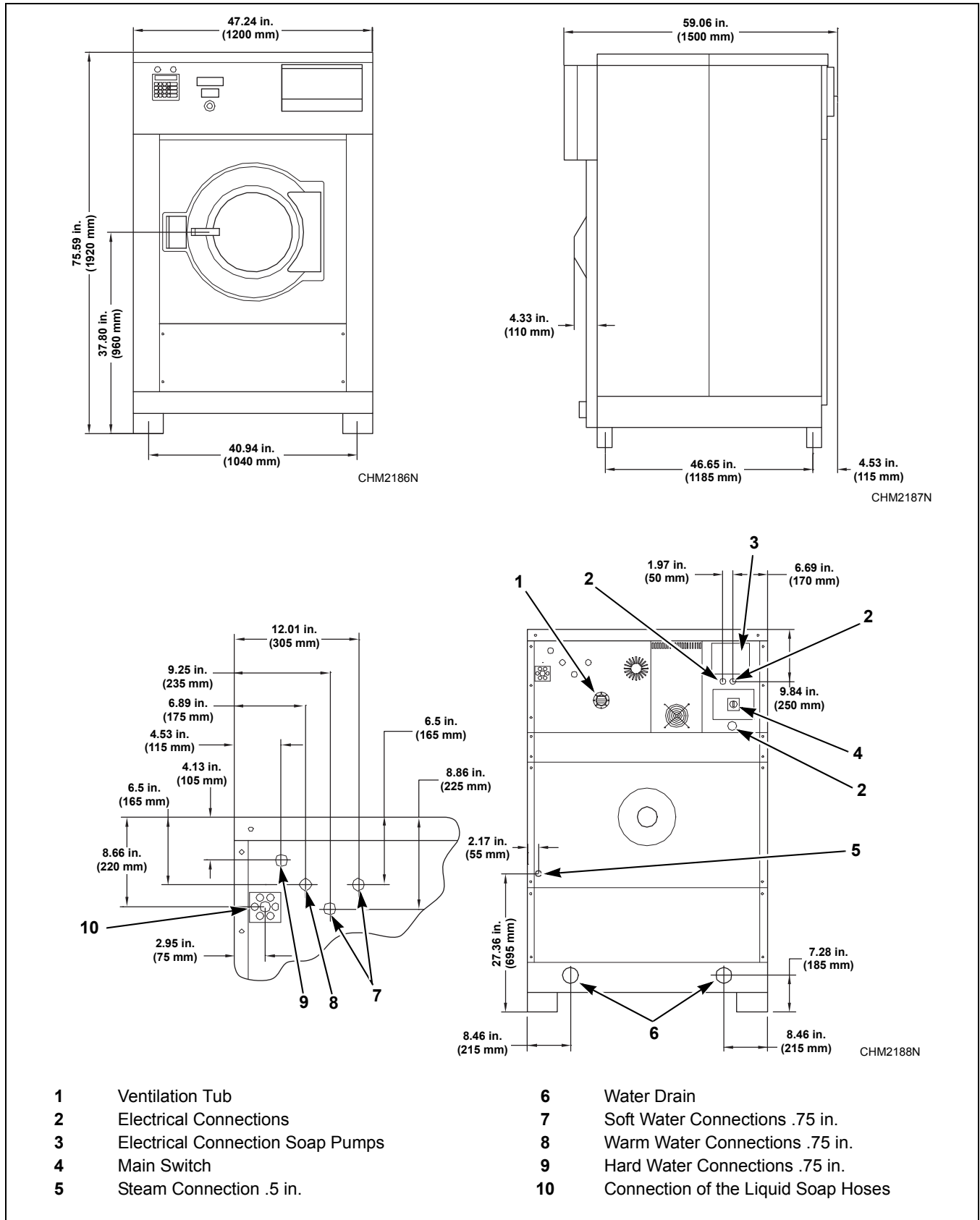


Figure 12

Mounting Bolt Hole Locations - Model IHF135

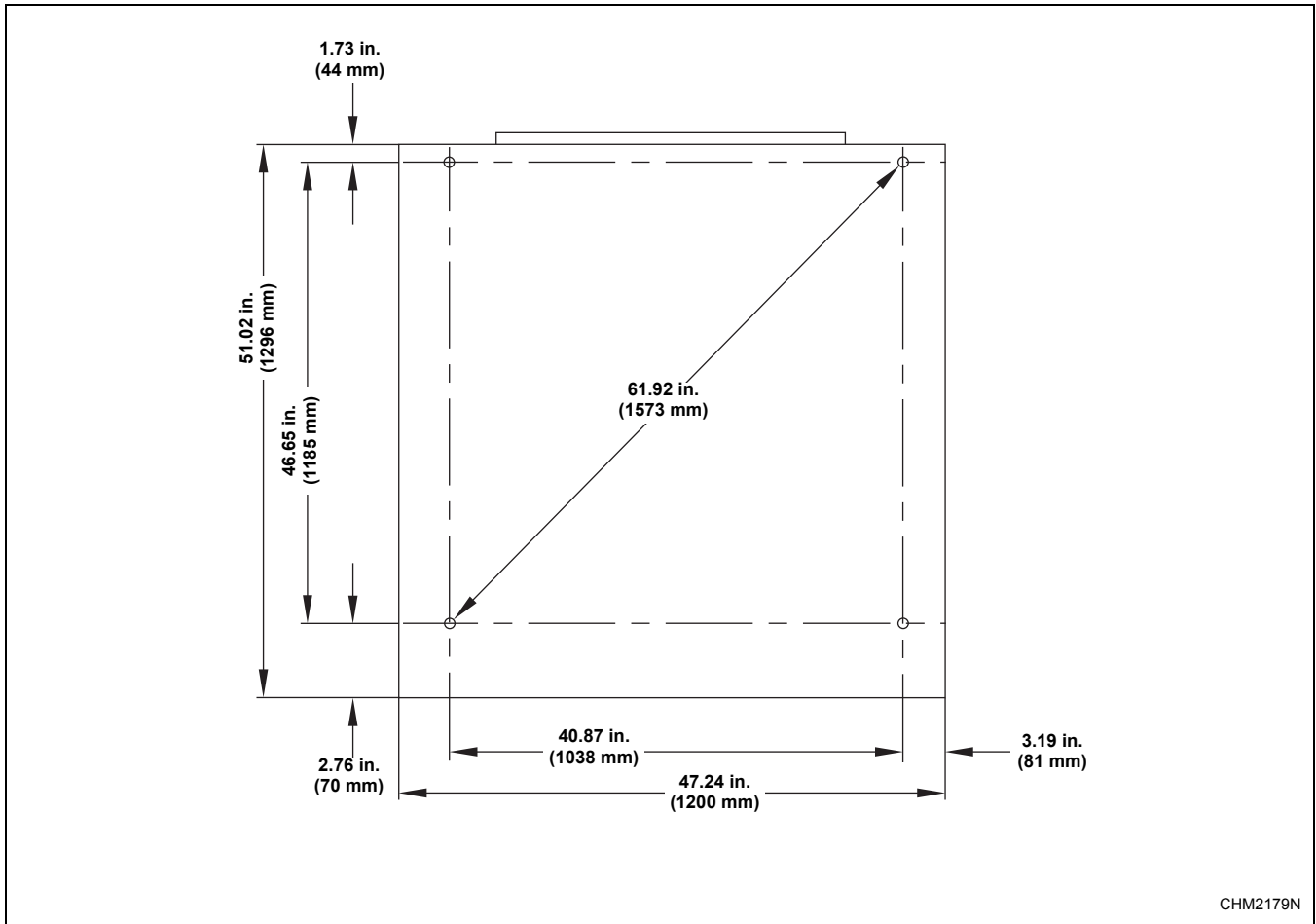


Figure 13

Installation - Models IHF100 and IHF135

Ground

The machine must be placed on a flat, solid surface (metal base, concrete or solid ground). It is recommended that the machine be anchored (M16) on the provided places (1) in the base, especially in case of a plinth. Refer to *Figure 14*.

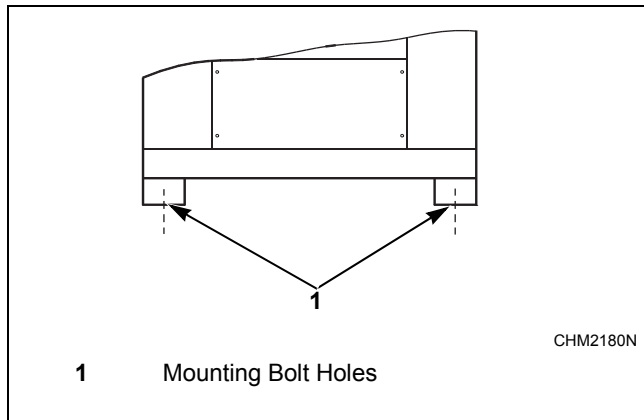


Figure 14

The machine must be placed entirely level. For easy maintenance it is recommended to keep a minimal distance of 23.62 in. (600 mm) between the wall and the back of the machine.

If several machines are placed next to each other, there should be a minimal distance of 1.18 in. (30 mm) between each machine.

Electrical Installation Requirements - Models IHF100 and IHF135

Machine without electrical heating		
	220V 3AC	380V 3AC + N
	20 A	20 A
Machine with electrical heating		
	220V 3AC	380V 3AC + N
27 kW	80 A	63 A
36 kW	N/A	80 A

Table 3

Specifications and Dimensions - Model IHF165

Capacity (dry weight) Ratio (kg/l)	
1:11	147 lbs. (66.5 kg)
1:10	160 lbs. (73 kg)
1:9	180 lbs. (81.5 kg)
Cylinder	
Cylinder diameter, in. (mm)	43.11 (1095)
Cylinder depth, in. (mm)	30.51 (775)
Cylinder volume, ft. ³ (l)	192.8 (730)
Cabinet	
Overall height, in. (mm)	82.68 (2100)
Overall width, in. (mm)	51.18 (1300)
Overall depth, in. (mm)	63.78 (1620)
Front Loading	
Door opening size, in. (mm)	24.49 (622)
Height of door bottom above floor, in (mm)	27.95 (710)
Height of door center above floor, in (mm)	40.16 (1020)
Speed	
Wash	10-50 tr/min - RPM
Distribution	100 tr/min - RPM
Spin	250-750 tr/min - RPM
G-factor	
Spin	344
Motor (3 phase), 4p, 1470 tr/min	15.42 HP/11.5 kW
Drain Valve, in. (mm)	3 (76)
Water Supply (hard, soft, hot water), in. (mm)	1 (25)
Direct Steam Heating	
Steam inlet connection size, in. (mm)	.75 (19)
Electrical	
Electrical Heating (240 V)	27 kW
Electrical Heating (400V)	36 kW
Steam	Not Applicable
Warm Water (without additional heating)	Not Applicable
Warm Water (with additional heating)	Not Applicable
Packing Dimensions (height X width X depth), in. (mm)	90.55 X 57.09 X 67.72 (2300 X 1450 X 1720)
Weight	
Net weight, lbs. (kg)	4630 (2100)
Gross weight, lbs. (kg)	5181 (2350)

Washer-Extractors

Machine Dimensions - Model IHF165

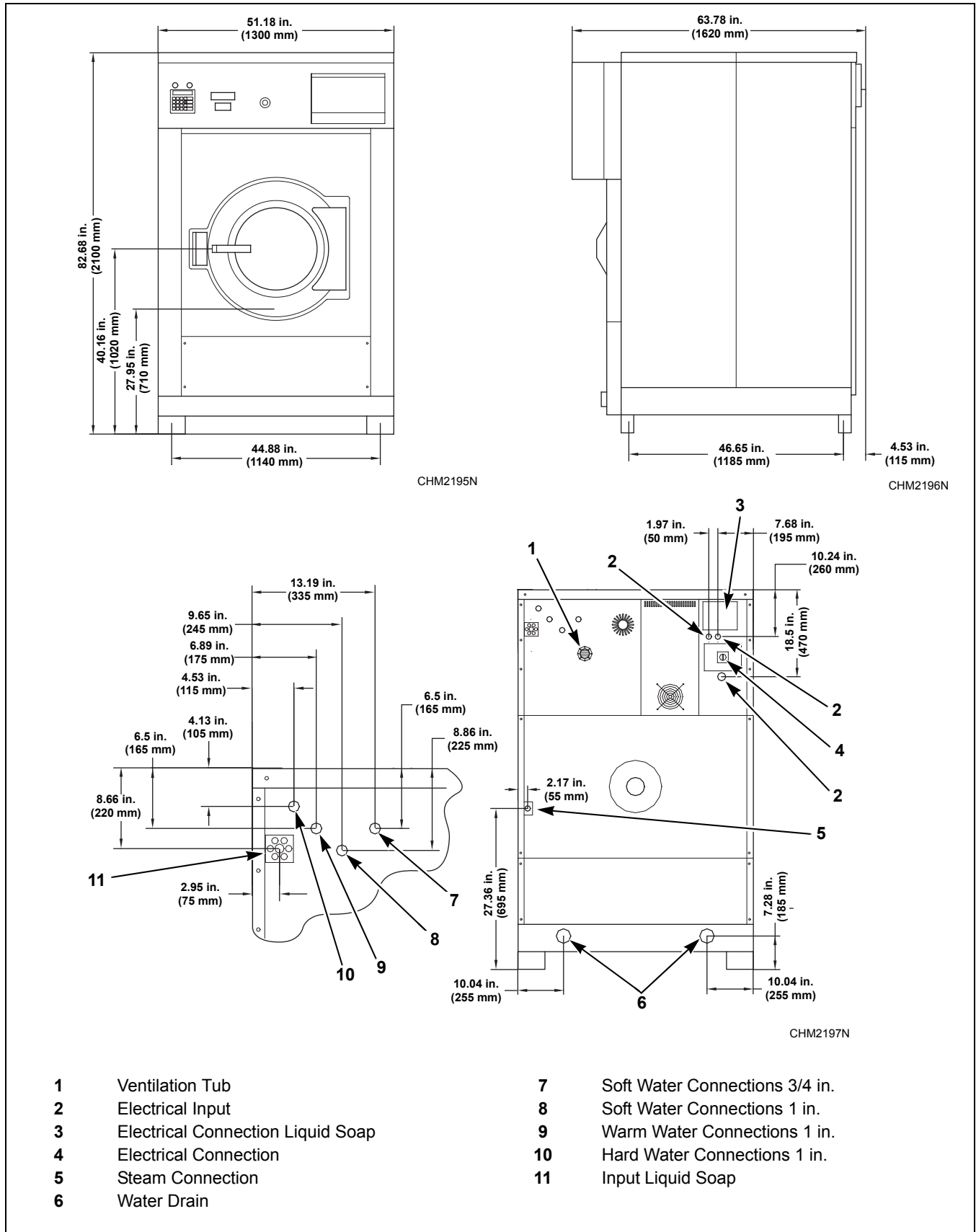


Figure 15

Mounting Bolt Hole Locations - Model IHF165

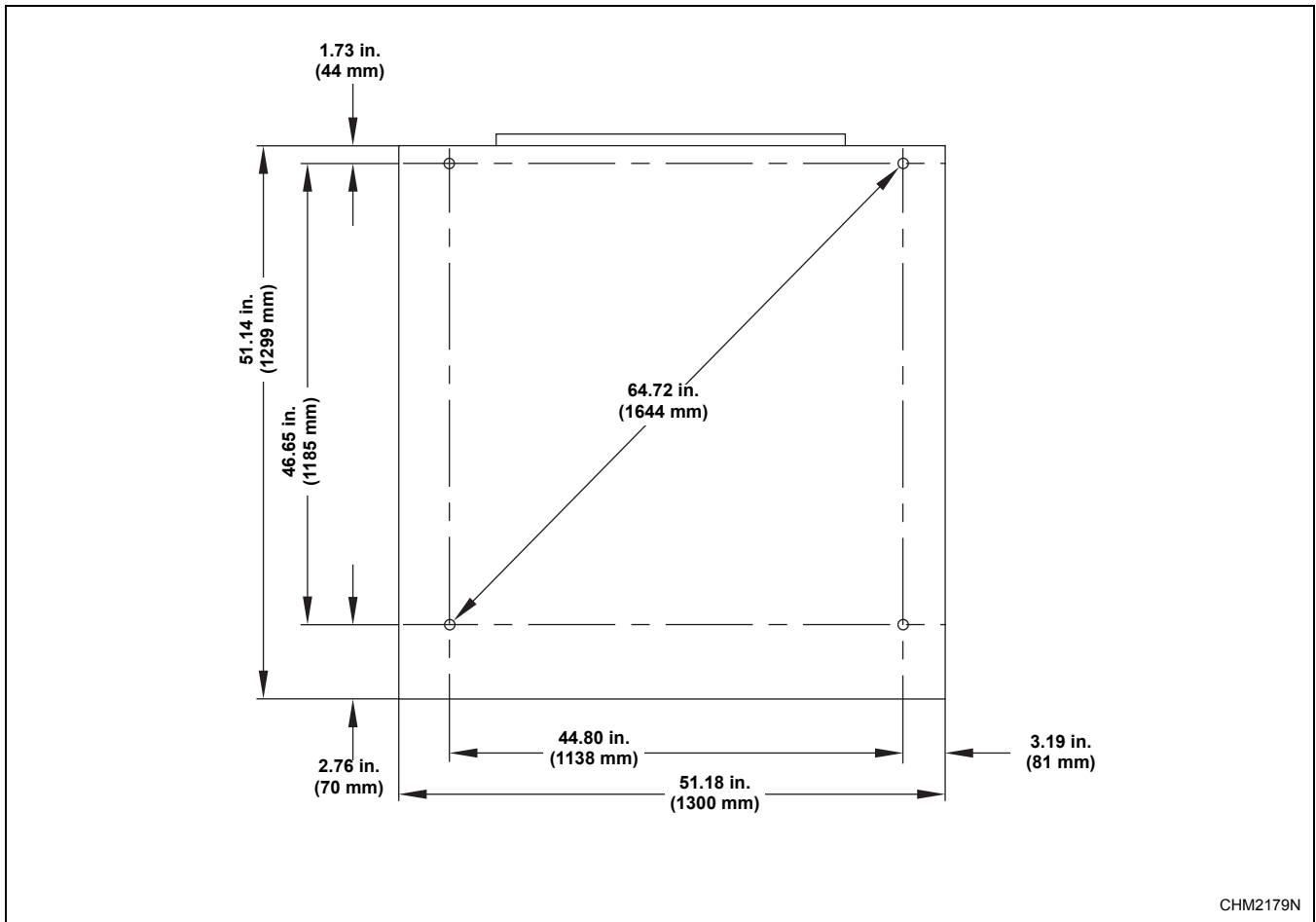


Figure 16

Installation - Model IHF165

Ground

The machine must be placed on a flat, solid surface (metal base, concrete or solid ground). It is recommended that the machine be anchored (M16) on the provided places (1) in the base, especially in case of a plinth (See Mounting Bolt Hole Locations). Refer to *Figure 17*.

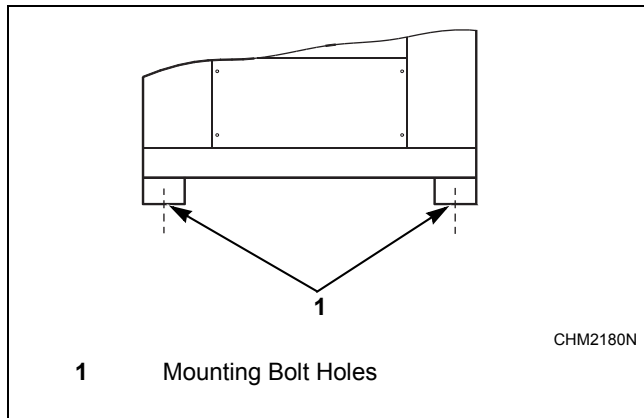


Figure 17

The machine must be placed entirely level. For easy maintenance it is recommended to keep a minimal distance of 23.62 in. (600 mm) between the wall and the back of the machine.

If several machines are placed next to each other, there should be a minimal distance of 1.18 in. (30 mm) between each machine.

Electrical Installation Requirements - Model IHF165

Machine without electrical heating		
	240V 3AC	400V 3AC + N
	40 A	25 A
Machine with electrical heating		
	240V 3AC	400V 3AC + N
27 kW	125 A	63 A
36 kW	N/A	80 A

Table 4

Free Manuals Download Website

<http://myh66.com>

<http://usermanuals.us>

<http://www.somanuals.com>

<http://www.4manuals.cc>

<http://www.manual-lib.com>

<http://www.404manual.com>

<http://www.luxmanual.com>

<http://aubethermostatmanual.com>

Golf course search by state

<http://golfingnear.com>

Email search by domain

<http://emailbydomain.com>

Auto manuals search

<http://auto.somanuals.com>

TV manuals search

<http://tv.somanuals.com>