



Installation Instructions

7253, 7255/55J, and 7256 Top Center Pivot

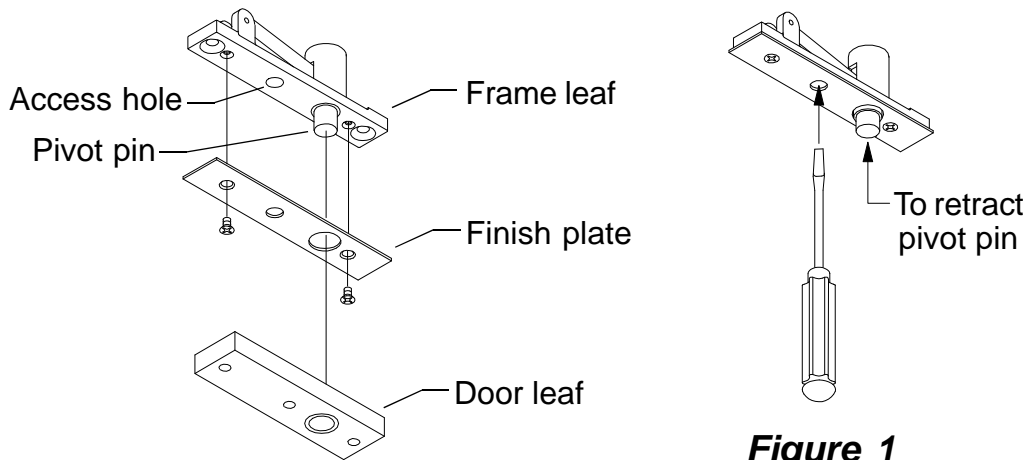


Figure 1

1. Prepare and mortise top of door and head jamb to receive pivot set. Determine pivot location using dimensions on reverse side. Most center pivots have the pivot point located 1-3/4" from side jamb. **The pivot point of top pivot set must be plumb with bottom pivot point.** The finish plate should be removed from frame leaf prior to installation.
2. Locate, drill, and tap 1/4-20 mounting holes for metal door or metal frame. Locate and drill pilot holes for #14 wood screws for wood door or wood frame. Install pivot leaves with 1/4-20 x 3/4" FHMS or #14 FHWS screws provided. Attach finish plate to frame leaf.
3. Install bottom pivot set. Once bottom pivot set is installed and secured, hang the door.
4. With door in open position (about 90° to jamb), carefully fit door onto bottom pivot at a slight angle. Tip door into vertical position, **aligning top pivot leafs in door and jamb.** With pivot leafs aligned, insert a screwdriver into access hole in top pivot leaf. Use screwdriver to push up lever arm, which will retract pivot pin (Figure 1). When pivot pin is retracted, position door so pivot pin will set down into bearing in door leaf, then remove screwdriver. The door should now swing freely. If it does not, double check templating dimensions.
5. To remove door from jamb: Open door to about 90° position. Insert a screwdriver into access hole in frame leaf. Use screwdriver to push up lever arm, which will retract pivot pin (Figure 1). Door can now be removed from opening.



CAUTION

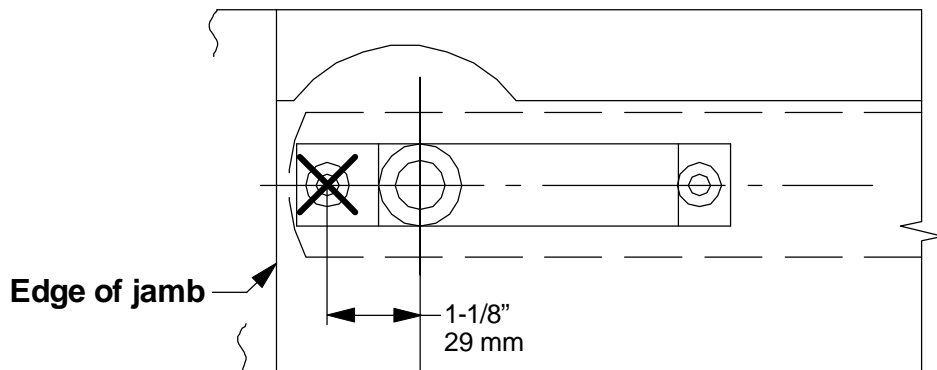
Improper pivot set installation can lead to personal injury or property damage. Follow all instructions carefully. For questions contact Technical Support at 1-888-371-7331.



NOTE

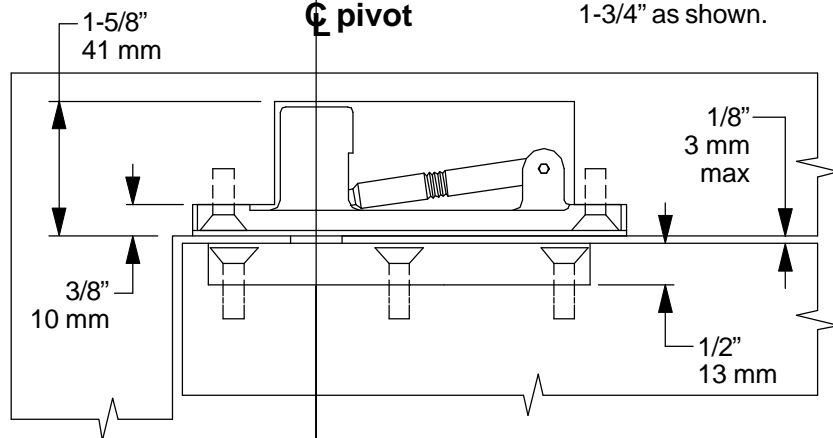
It is very important for installer to verify that center line of top pivot point lines up with center line of bottom pivot point before final installation.

Frame Leaf



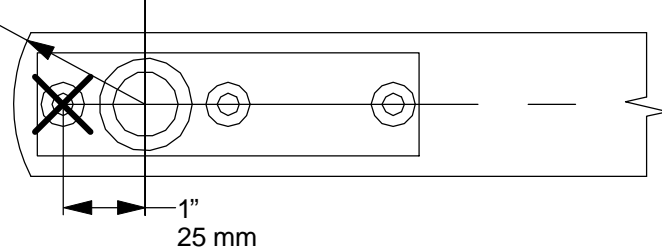
* Pivot center may be varied as needed. Minimum distance is 1-3/4" as shown.

☉ pivot

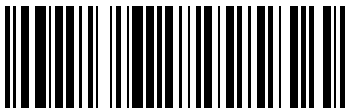


☉ pivot

Radius of heel edge of door must not exceed pivot point to jamb distance



Door Leaf



26675-00

26675 Rev. 4

Free Manuals Download Website

<http://myh66.com>

<http://usermanuals.us>

<http://www.somanuals.com>

<http://www.4manuals.cc>

<http://www.manual-lib.com>

<http://www.404manual.com>

<http://www.luxmanual.com>

<http://aubethermostatmanual.com>

Golf course search by state

<http://golfingnear.com>

Email search by domain

<http://emailbydomain.com>

Auto manuals search

<http://auto.somanuals.com>

TV manuals search

<http://tv.somanuals.com>