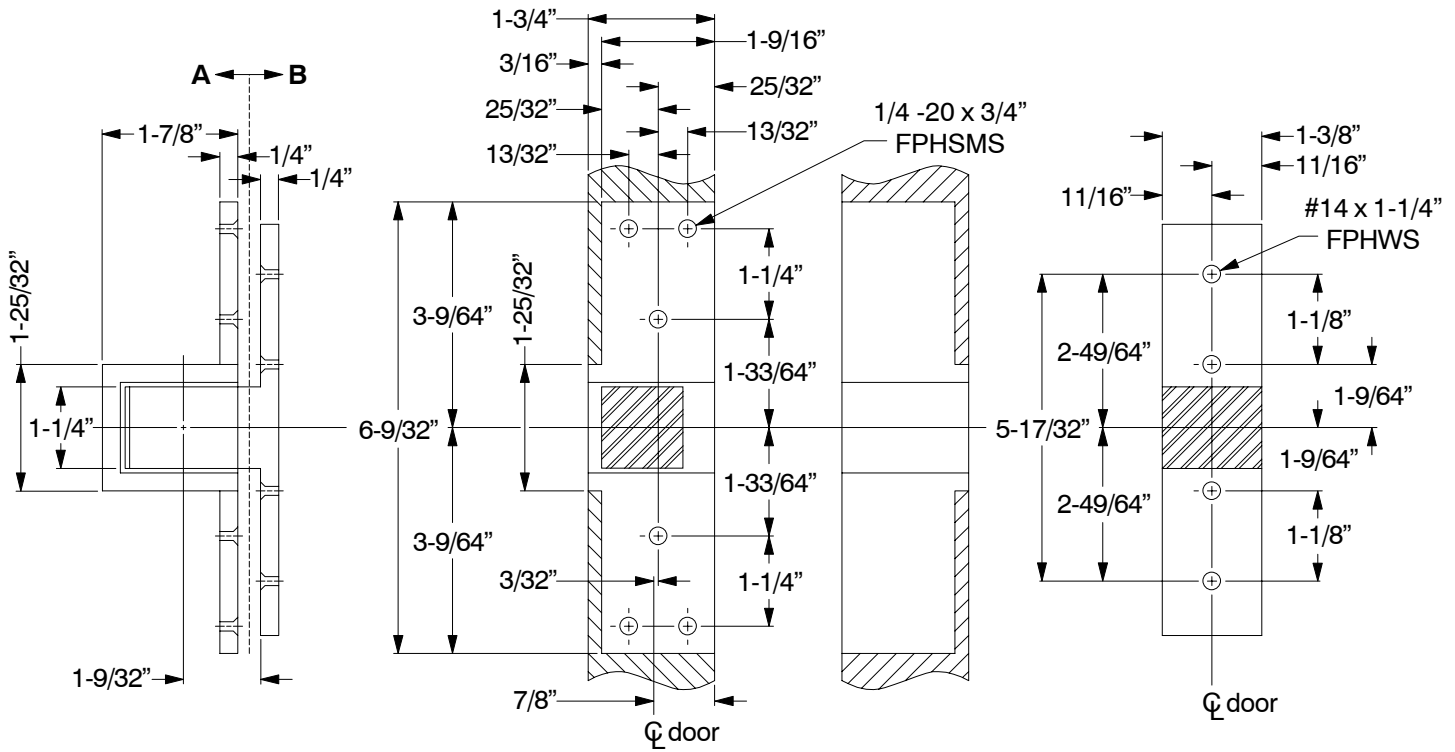




Installation Instructions

91105F Pocket Pivot Wood Door, Metal Frame

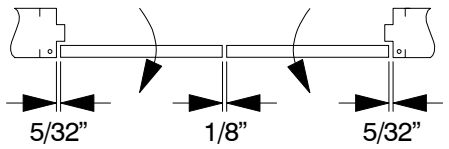
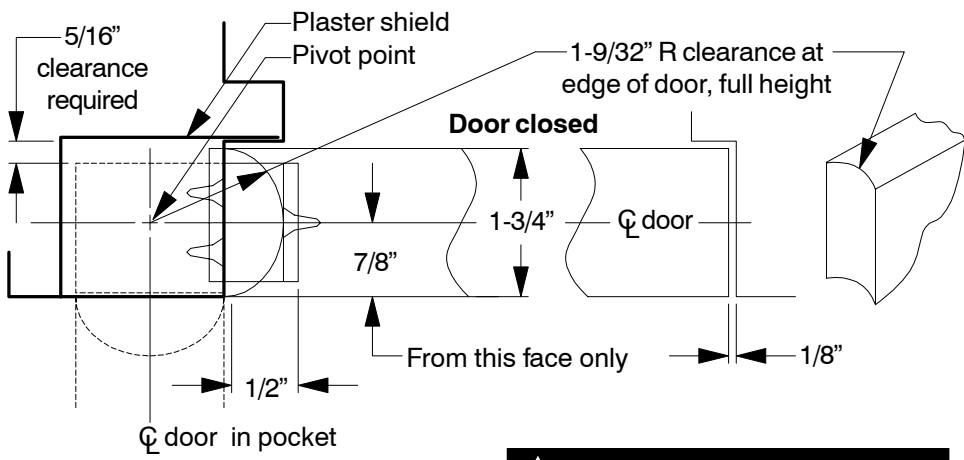


See other side for frame cutout and key plan

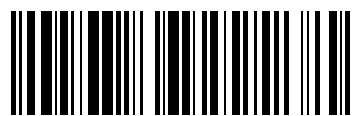
Right Hand Left Hand

View A: Jamb Portion

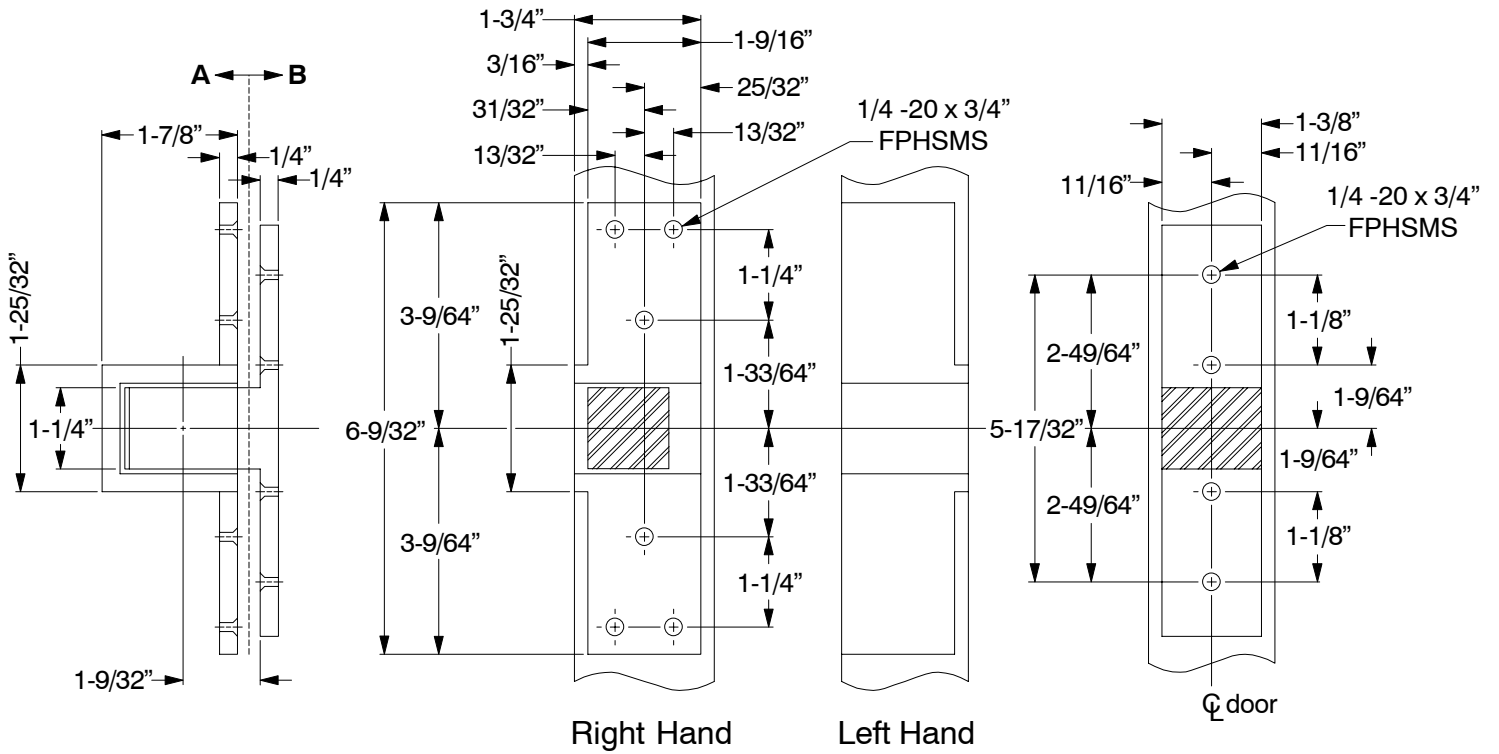
View B: Door Portion



NOTE
UL listed for 20 minute doors.

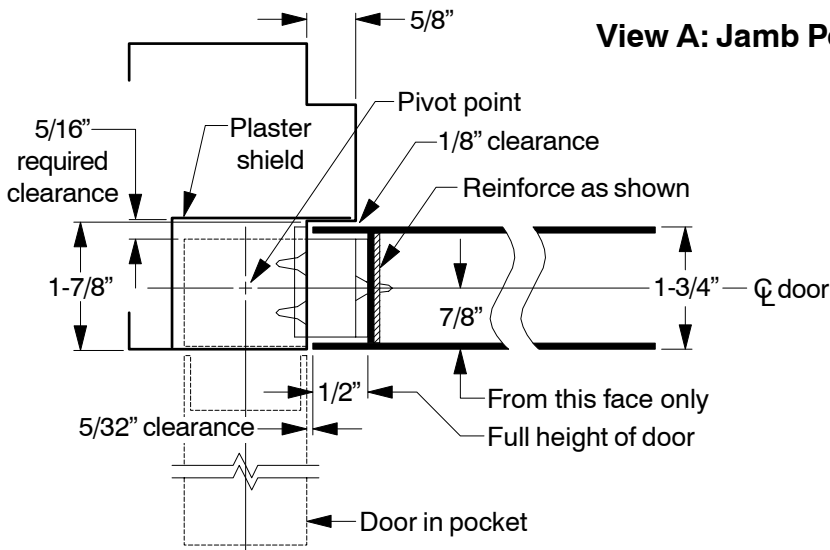


Metal Door, Metal Frame

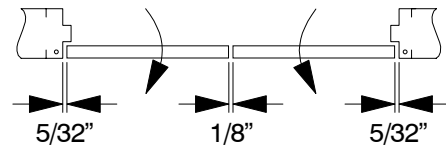


View A: Jamb Portion

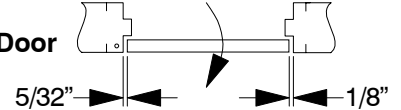
View B: Door Portion



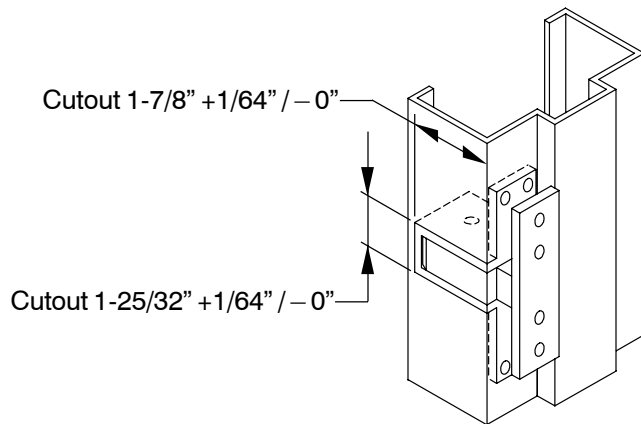
Required Door Clearance Simultaneous Pair



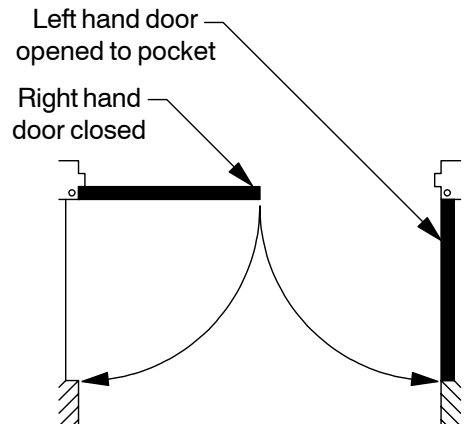
Single Door



See below for frame cutout and key plan



Frame Cutout



Key Plan (pairs of doors)

Free Manuals Download Website

<http://myh66.com>

<http://usermanuals.us>

<http://www.somanuals.com>

<http://www.4manuals.cc>

<http://www.manual-lib.com>

<http://www.404manual.com>

<http://www.luxmanual.com>

<http://aubethermostatmanual.com>

Golf course search by state

<http://golfingnear.com>

Email search by domain

<http://emailbydomain.com>

Auto manuals search

<http://auto.somanuals.com>

TV manuals search

<http://tv.somanuals.com>