



*Double Speed Progressive Scan CCD Camera*

*CV-M40*

---

*Operation Manual*

*(Rev.C)*



## DECLARATION OF CONFORMITY

AS DEFINED BY THE COUNCIL DIRECTIVE

89/336/EEC  
EMC (ELECTROMAGNETIC COMPATIBILITY)

WE HEREWITH DECLARE THAT THIS PRODUCT  
COMPLIES WITH THE FOLLOWING PROVISIONS APPLYING TO IT.

EN-50081-1

EN-50082-1

## Table of Contents

CE declaration .....	2
1. General .....	4
2. Main features .....	4
3. Standard composition .....	4
4. Location and functions .....	5
5. Pin assignment .....	6
5-1 12 pin connector (DC IN/SYNC connector) .....	6
5-2 6 pin connector (TRIGGER connector) .....	7
6. Functions and operations .....	8
6-1 Input/output of HD/VD signal .....	8
6-2 Ext. trigger/readout mode .....	8
7. Mode setting .....	15
7-1 SW1 switch on the rear panel .....	15
7-2 Jumpers on board .....	17
8. External appearance .....	20
9. Specification .....	21
10. Appendix .....	22
11. User's Record .....	23

## 1. General

The CV-M40 is a 1/2" CCD progressive scan camera, incorporating double speed and partial scan techniques, housed in a compact and robust package.

Using the latest CCD sensor technology with square pixels provides excellent resolution and signal to noise ratio, together with flexible asynchronous random trigger functions and multitude of user settings.

## 2. Main Features

- 1/2" IT monochrome CCD sensor
- 654 (h) x 494 (v) x 9.9  $\mu\text{m}$  square pixels (compatible with VGA format)
- 60 full progressive frames per second over a single video output
- 120 frames per second using vertical binning (half vertical resolution, pixel aspect ratio 1:2)
- Internal, external, HD/VD or random synchronization
- 3 external trigger/readout modes : Edge pre-select, pulse width and frame-delay readout
- Shutter speed 1/125 to 1/12,000
- 24.5 MHz pixel frequency and 31.468 kHz line frequency
- Video output with or without sync.
- Set-up by RS 232C or switches
- Up to 233 frames per second with partial scan (user selectable)

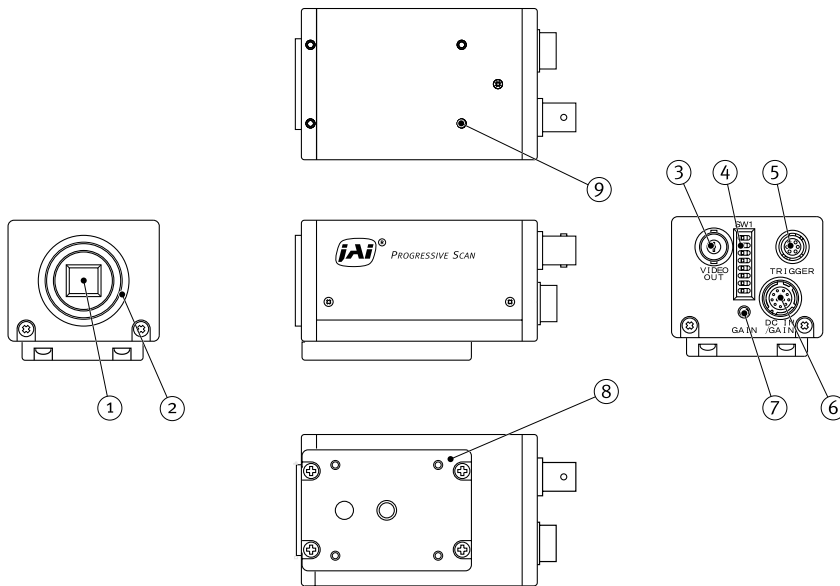
## 3. Standard composition

- |    |                            |     |
|----|----------------------------|-----|
| 1) | Camera main body           | x 1 |
| 2) | Tripod mount plate (MP-40) | x 1 |
| 3) | Operation manual           | x 1 |

### Optional accessories

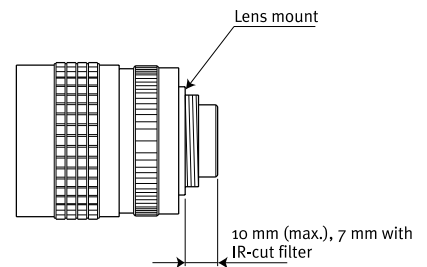
- 1) 12 pin connector (HR10A-10P-12S-01)
- 2) 6 pin connector (HR10A-7P-6S)

## 4. Locations and functions



- 1. CCD sensor : 1/2 " IT CCD sensor
- 2. Lens mount : C-mount type

**Note :**  
 Rear protrusion on C-mount lens must be less than 10 mm (0.4 inch approx).  
 When IR-cut filter is used, it must be less than 7.0 mm (0.28 inch approx).

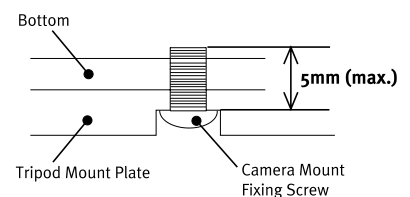


- 3. BNC connector : Video output (VS 1.0 Vpp at 75 Ohm)
- 4. SW1 switch : Shutter speed and function modes selection
- 5. 6 pin multi connector : RS 232 input and output / ext. trig input
- 6. 12 pin multi connector : +12V DC power / video output / sync. input and output
- 7. Gain potentiometer : Gain level adjustment
- 8. Tripod mount plate
- 9. Screw holes for Tripod mount plate

**CAUTION**

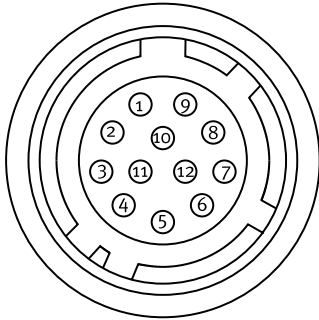
When you mount the camera on your system, please make sure to use screws which have the length less than 5 mm from the camera bottom plate, as it may cause a serious damage to the PCB inside the camera when the length is more than 5 mm.

Please be advised that the supplied 4 screws for Tripod mount plate are to be used exclusively for MP-40, but not for any other mounting adaptor.



## 5. Pin assignment

### 5-1. 12 pin connector (DC IN/SYNC connector)



HR10A-10R-12PB-01 (Hirose) male

Pin No.	Ext Sync Mode (Factory setting)	Ext Trigger Mode H-Reset	Ext Trigger Mode H Non-reset	Int Sync Mode
1	GND			
2	DC+12V IN			
3	GND(VIDEO)			
4	VIDEO OUT			
5	GND			
6*	Ext.HD IN	Ext.TRIG IN	Ext.HD IN	Int.HD OUT
7*	Ext.VD IN	WEN OUT	Ext.TRIG IN	Int.VD OUT
8	GND			
9*	NC	PLCK/WEN OUT	PLCK/WEN OUT	NC
10	GND			
11	DC+12C IN			
12	GND			

\* Note : To change the signal output on pin no. 6, 7 and 9, it is necessary to make jumper setting.  
See "7-2. Jumpers on board" for more informations.

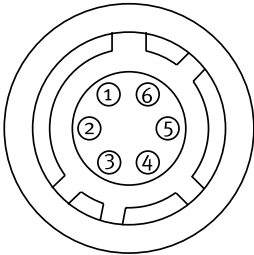
Pin no.	Factory pre-set	Others
6	HD input	HD output
7	VD input	VD output
9	NC	Pixel clock output



#### CAUTION

1. When trigger signal is input at #5 of 6 pin multi connector, do not input/output HD signal at #6 of 12 pin multi connector, as it causes a failure in Ext. trigger mode.
2. Do not use video output at the same time both from #4 of 12 pin multi connector and BNC connector, as it causes a failure on video signal due to double termination.

5-2. 6 pin connector (TRIGGER connector)



HR10A-7R-6P (Hirose) male

Pin no.	HD/VD input or output	Ext. trigger/readout
1	TXD output	
2	RXD input	
3	Ground	
4	Ground	
5*	**See note 2.	Ext. trigger input
6*	WEN output	

\* Note : 1. To change the signal output on pin no. 5 and 6, it is necessary to make jumper setting. See "7-2. Jumpers on board" for more informations.

Pin no.	Factory pre-set	Others
5	Trigger input	NC
6	WEN output	NC

2. Do not input HD or VD signal at pin no.5, when the camera is set at Continuous mode.

 **CAUTION**

When trigger signal is input at #5 of 6 pin multi connector, do not input/output HD signal at #6 of 12 pin multi connector, as it causes a failure in external trigger mode.

## 6. Functions and operations

### 6-1. Input/output of HD/VD signal

#### a) Input of external HD/VD signal (Factory pre-set)

To input ext. HD/VD signal, make JP9/JP11 short-circuited, and JP12/JP13 open-circuited. To change the termination of ext. HD/VD signal, it is necessary to make the jumper JP8/JP10 short-circuited. All jumpers are located on PK8273 board. For details, please refer to 7-2-3. Jumpers on PK8273 board.

Note : Factory pre-set is set at HD/VD input (TTL) .

#### b) Output of internal HD/VD signal

To output int. HD/VD signal, make jumper JP9/JP11 open-circuited, and JP12/JP13 short-circuited. All jumpers are located on PK8273 board. Please refer to 7-2-3. Jumpers on PK8273 board.



Int. HD/VD signal is effective only at 75 Ohm termination.

### 6-2. Ext. trigger/readout mode

Ext. trigger mode of CV-M40 allows 3 different driving modes, as follows.

- |                              |  |
|------------------------------|--|
| Edge pre-select trigger mode | : Asynchronous reset by the external trigger pulse<br>Exposure period controlled by 8-step fixed shutter steps   |
| Pulse-width control mode     | : Asynchronous reset by the external trigger pulse<br>Exposure period controlled by the pulse width of the external trigger pulse.   |
| Frame-delay readout mode     | : Asynchronous reset by the external trigger pulse<br>Exposure period controlled by 8 fixed shutter steps<br>Video readout timing controlled by rising edge of the external trigger pulse. |

#### 6-2-1. Edge pre-select mode

In this mode, the exposure starts at the falling edge of the external trigger pulse. The WEN pulse originates from the camera.

The shutter speed is controlled by the SW1 switch on the rear panel of the camera and the RS 232C serial interface.

For details, refer to the timing charts section of this manual.

To use this mode, set up the camera as follows ;



- a) Set SW1-5 at ON, and SW1-6 at OFF to select the Edge pre-select mode.
- b) Set SW1-1 to SW1-3 to select the appropriate shutter speed. For controlling the shutter speed by the RS 232C serial interface, set SW1-8 at ON.
- c) Set the SW1-4 switch to ON to select the Binning mode and set the switch SW1-7 to OFF to select the Partial scan mode.



**CAUTION**

The pulse width of the external trigger pulse must be 2H to 1300H.

### 6-2-2. Pulse width control mode

In this mode, the exposure time is controlled by the pulse width of external trigger pulse. The exposure starts at the falling edge of the external trigger pulse and ends at the rising edge of the external trigger pulse. The WEN pulse is generated and output from the camera. For details, refer to the timing charts section of this manual.

To use this mode, set up the camera as follows ;

- a) Set SW1-5 at OFF, and SW1-6 at ON to select the Pulse width control mode.
- b) Set the SW1-4 switch to ON to select the Binning mode and set the switch SW1-7 to OFF to select the Partial scan mode.



**CAUTION**

The pulse width of the external trigger pulse must be 2H to 525H.

### 6-2-3. Frame-delay readout mode

In this mode, the timing of the video output is controlled by the width of the external trigger pulse. The exposure starts at the falling edge of the external trigger pulse and ends according to the shutter setting. The video signal is output at the rising edge of the external trigger signal. The WEN pulse is generated and output from the camera. For details, refer to the timing charts section of this manual.

To use this mode, set up the camera as follows ;

- a) Set SW1-5 at ON, and SW1-6 at ON to select the Frame-delay readout mode.
- b) Set SW1-1 to SW1-3 to select the shutter speed.
- c) Set the SW1-4 switch to ON to select the Binning mode and set the switch SW1-7 to OFF to select the Partial scan mode.

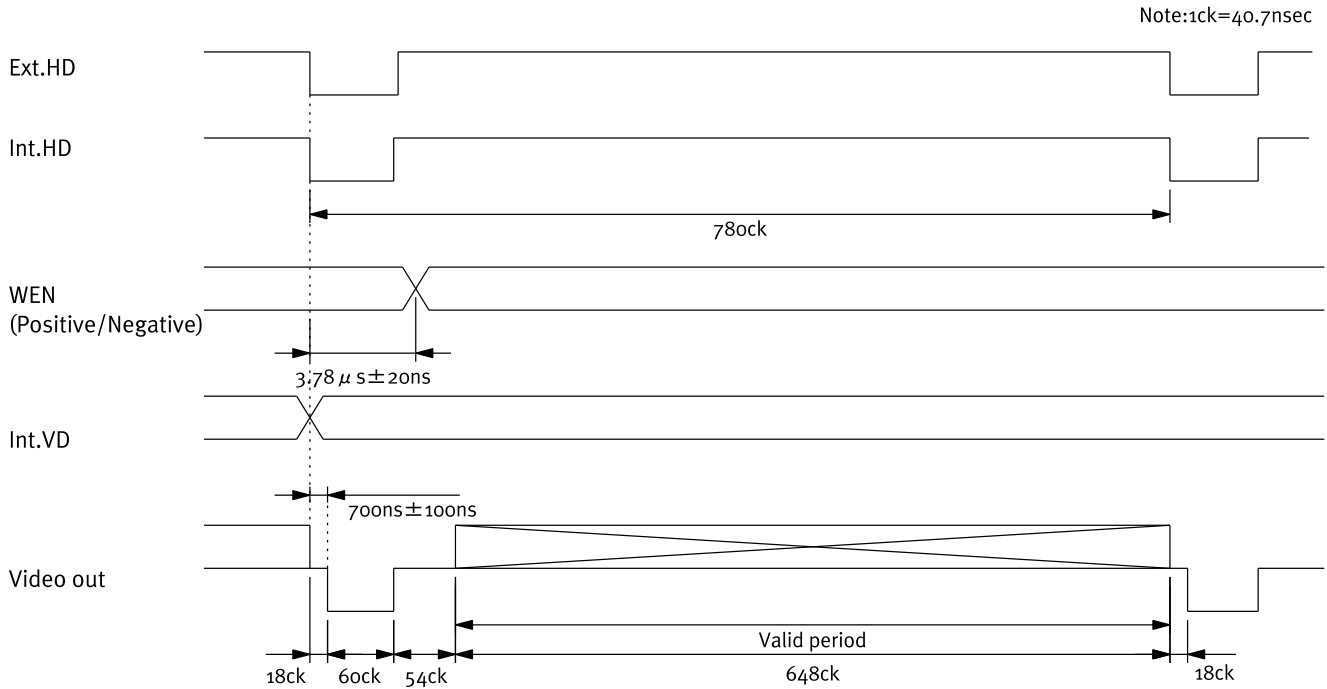


**CAUTION**

The minimum value of pulse width for the external trigger pulse depends on the exposure time, as follow.  
Minimum : pulse width (more than 3H) > exposure time

6-2-4. Timing charts

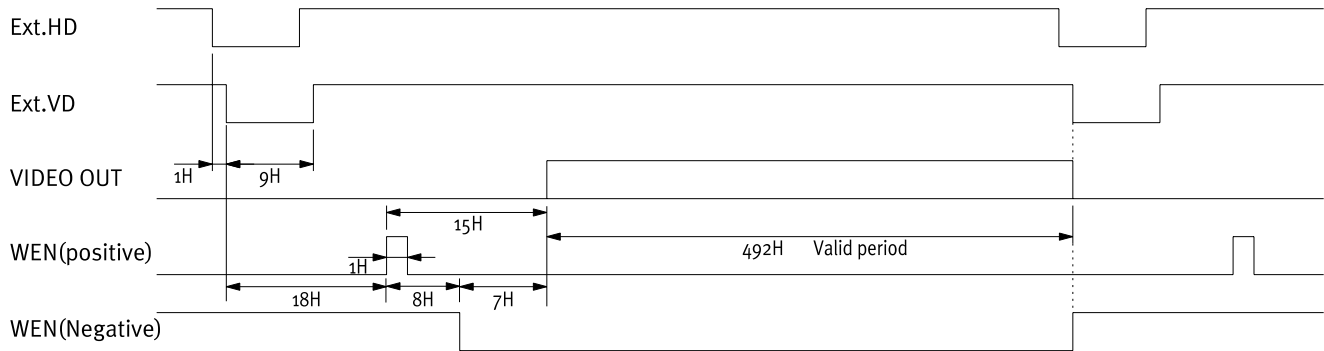
1. Video out (H)



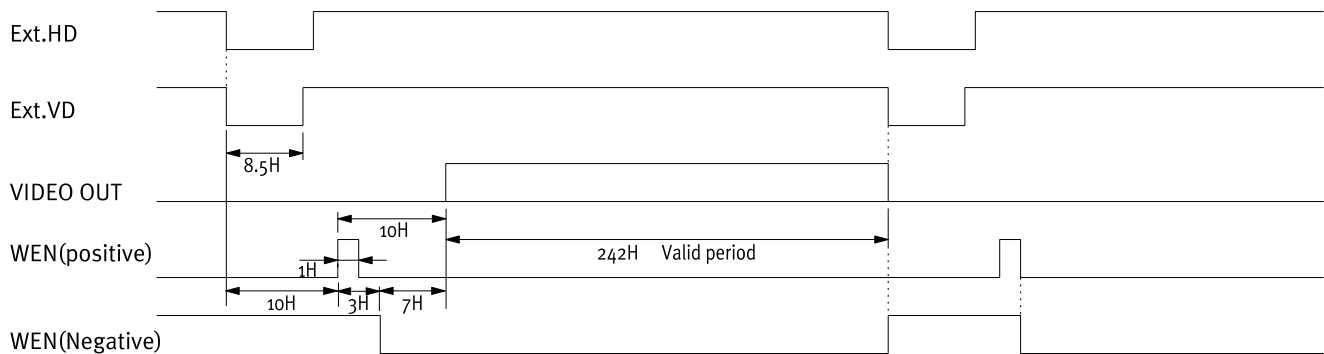
2. Ext. sync mode

2-a) Normal readout(1/60sec.1frm=525H,60frm/sec.)

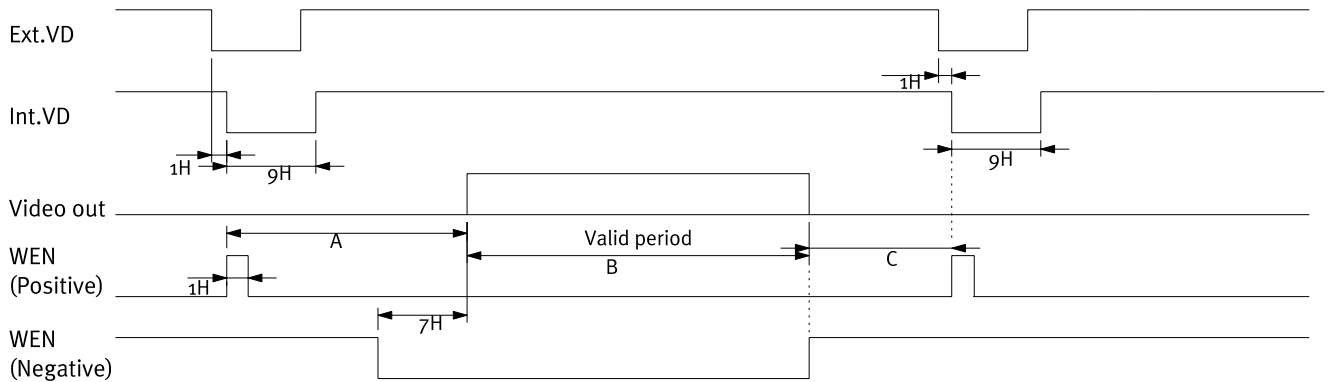
Note 1: Sync or HD is not mentioned  
 Note 2: 1H=31.777µS  
 Note 3: WEN polarity can be chosen at JP22 of I/F board



2-b) Binning readout(1/120sec.1frm=262H,120frm/sec.)



2-c) Partial Scan



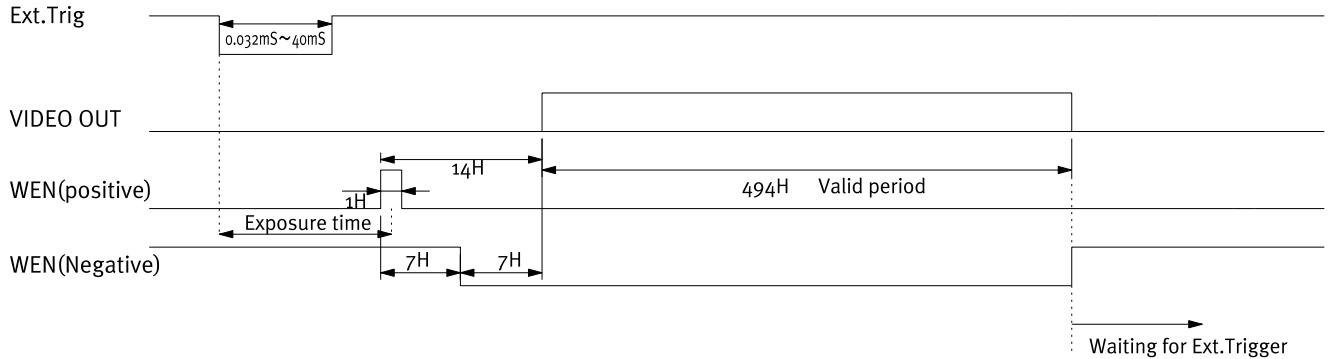
Effective readout line	A	B	C
240 line	44H	240H	11H
120 line	65H	120H	15H
60 line	79H	60H	17H
30 line	86H	30H	18H

Note 1: Sync or HD is not mentioned  
 Note 2: 1H=31.777 μ S  
 Note 3: WEN polarity can be chosen at JP22 of I/F board

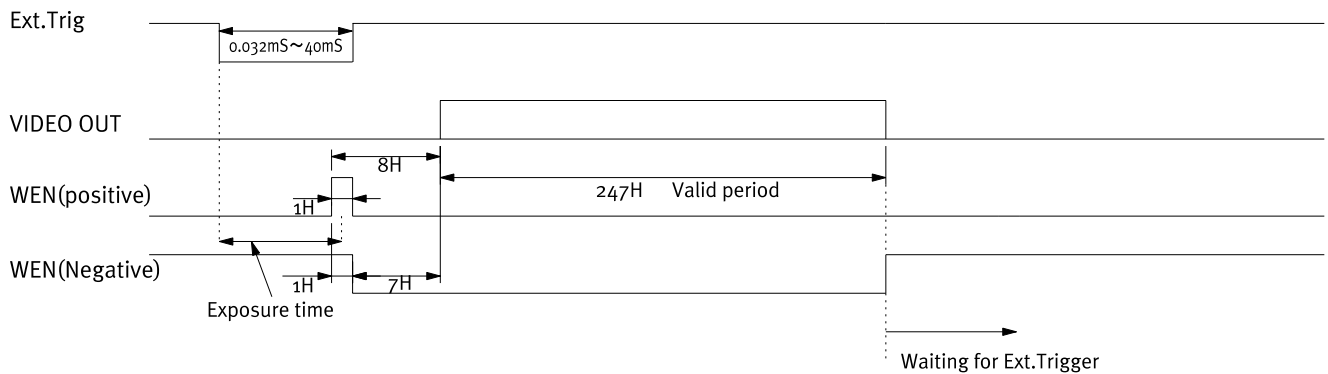
3. Edge pre-select mode

3-a) 60 fps = normal readout

Note 1: Sync or HD is not mentioned  
 Note 2: 1H=31.777 μ S  
 Note 3: WEN polarity can be chosen at JP22 of I/F board



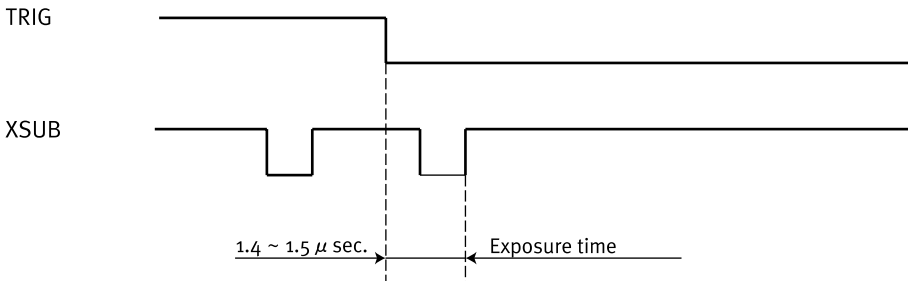
3-b) 120 fps = binning readout



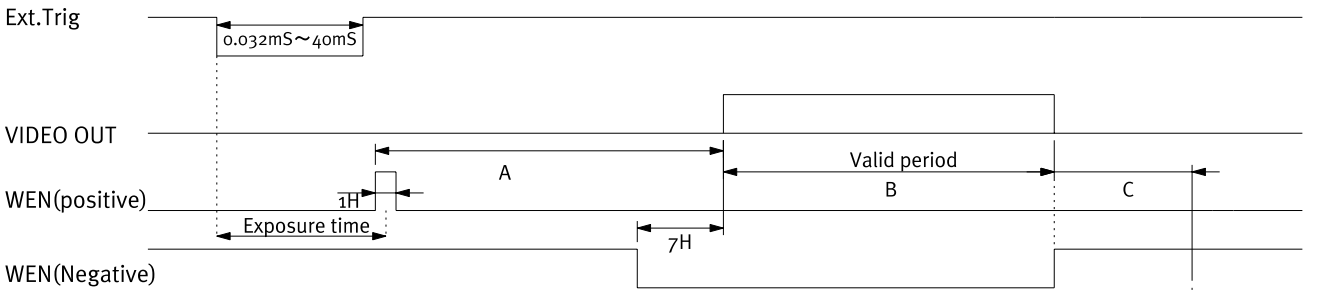
# CV-M40

Enlarged

Note : The following charts describes the delay of the exposure



3-c) partial scan



Effective readout line	A	B	C
240 line	45H	240H	13H
120 line	66H	120H	17H
60 line	80H	60H	19H
30 line	87H	30H	20H

Note 1: Sync or HD is not mentioned

Note 2: 1H = 31.777 μ S

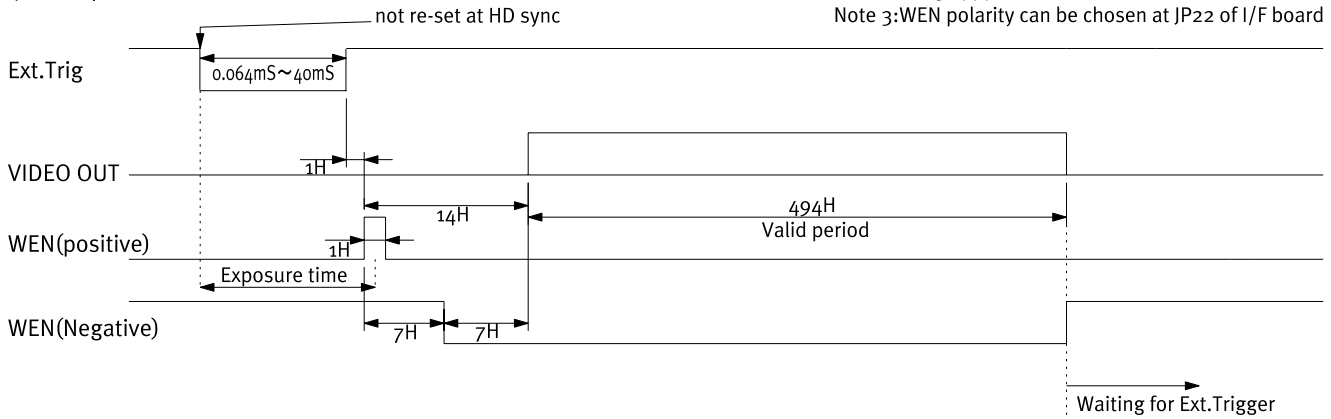
Note 3: WEN polarity can be chosen at JP22 of I/F board

Waiting for Ext.Trigger

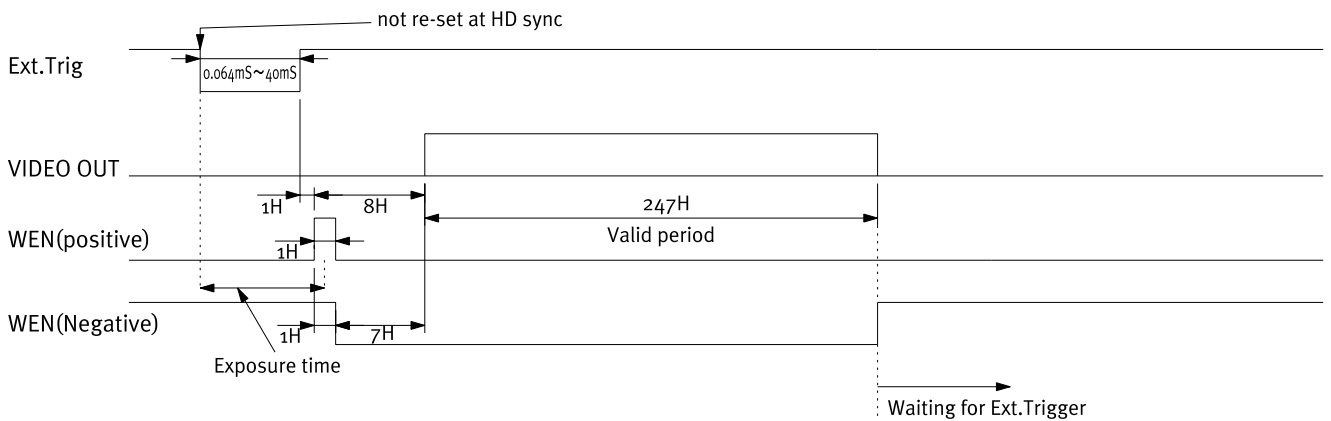
4. Pulse width control mode

4-a) 60 fps = normal readout

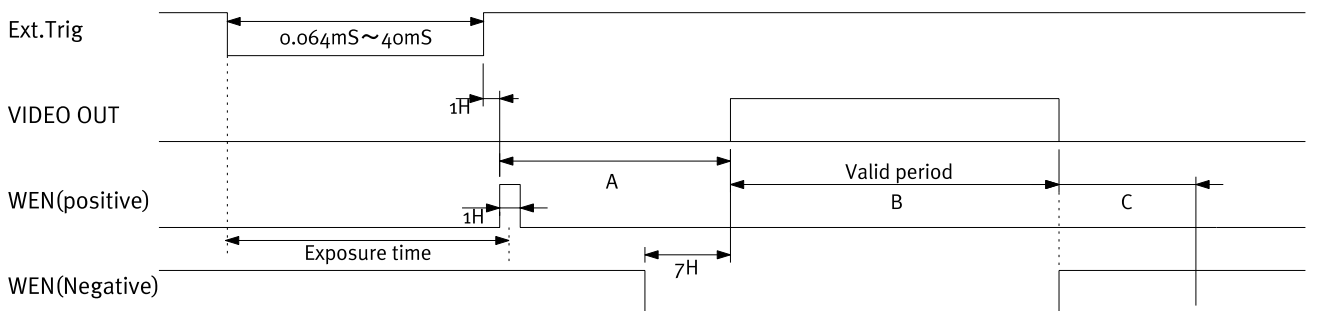
Note 1: Sync or HD is not mentioned  
 Note 2: 1H=31.777 μS  
 Note 3: WEN polarity can be chosen at JP22 of I/F board



4-b) 120 fps = binning readout



4-c) Partial scan



Effective readout line	A	B	C
240 line	45H	240H	13H
120 line	66H	120H	17H
60 line	80H	60H	19H
30 line	87H	30H	20H

Note 1: Sync or HD is not mentioned  
 Note 2: 1H=31.777 μS  
 Note 3: WEN polarity can be chosen at JP22 of I/F board

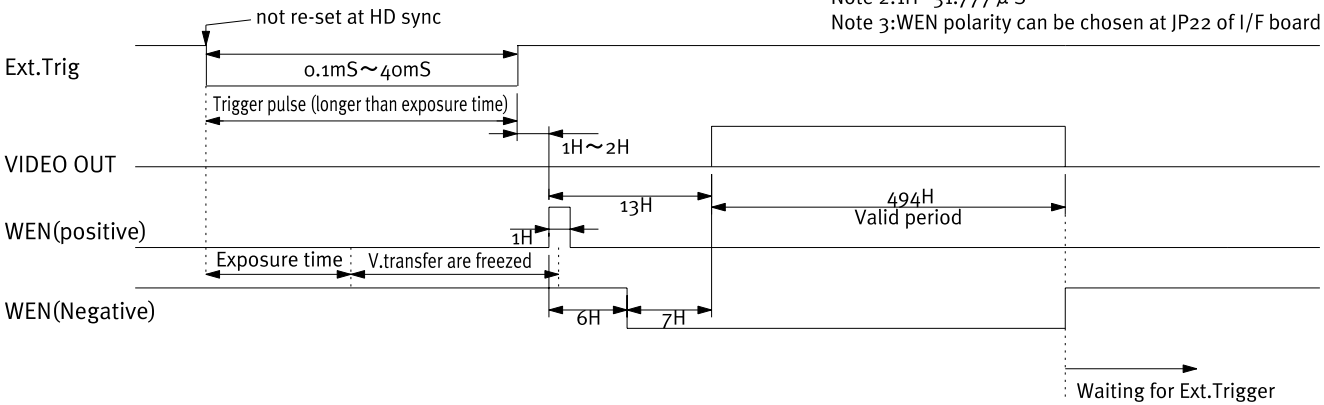
Waiting for Ext.Trigger

5. Frame-delay readout mode

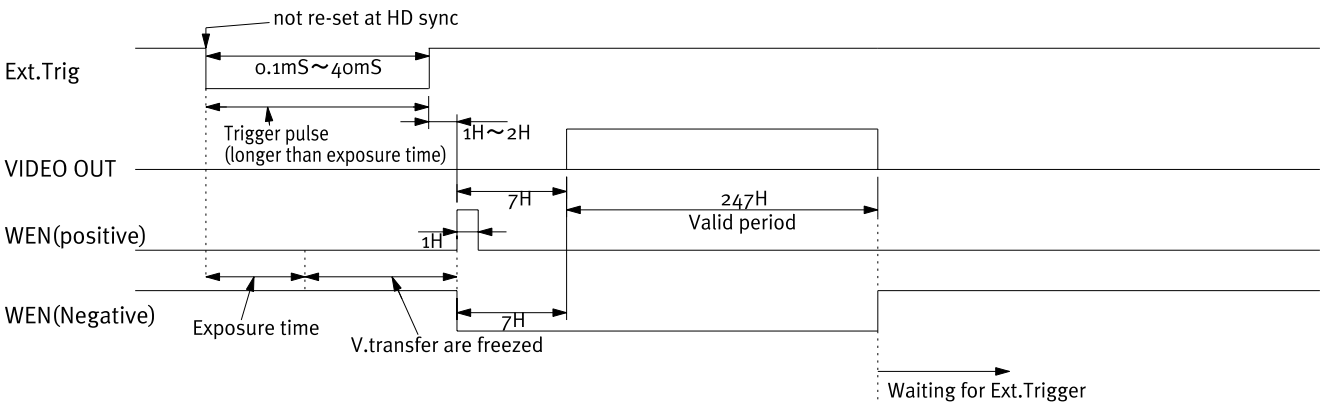
Unit : 1HD (31.777 μsec.)

5-a) 60 fps = normal readout

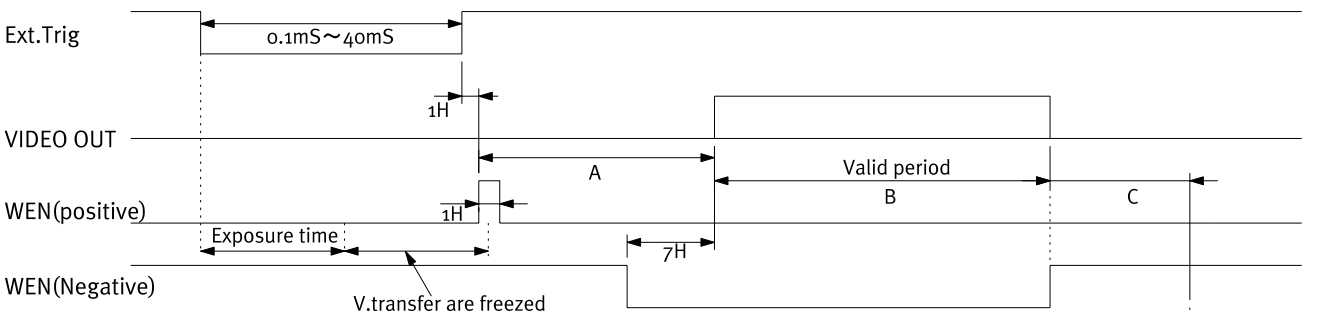
Note 1: Sync or HD is not mentioned  
 Note 2: 1H=31.777 μS  
 Note 3: WEN polarity can be chosen at JP22 of I/F board



5-b) 120 fps = binning readout



5-c) Partial scan



Effective readout line	A	B	C
240 line	45H	240H	13H
120 line	66H	120H	17H
60 line	80H	60H	19H
30 line	87H	30H	20H

Note 1: Sync or HD is not mentioned  
 Note 2: 1H=31.777 μS  
 Note 3: WEN polarity can be chosen at JP22 of I/F board

Waiting for Ext.Trigger

## 7. Mode setting

### 7-1. SW1 switch on the rear panel

OFF	ON
<input type="checkbox"/>	<input checked="" type="checkbox"/>
<input type="checkbox"/>	
<input type="checkbox"/>	
<input type="checkbox"/>	
<input type="checkbox"/>	
<input type="checkbox"/>	
<input type="checkbox"/>	
<input type="checkbox"/>	
<input type="checkbox"/>	
<input type="checkbox"/>	

SW no.	Switch function	Setting mode	
		OFF	ON
1	Shutter speed	Refer to "6-1-1.Shutter speed"	
2			
3			
4	Binning mode	OFF	ON
5	Ext. trigger/readout mode	Refer to "6-1-3. Ext. trigger/readout mode"	
6			
7	Partial scan mode	OFF	ON
8	RS 232C interface	OFF	ON

Note : The above switches are set at OFF position by factory pre-set.

#### 7-1-1. Shutter speed (SW1-1, SW1-2, SW1-3)

Shutter speed	Switch setting (OFF : <input type="checkbox"/> /ON : <input checked="" type="checkbox"/> )					
	SW1-1		SW1-2		SW1-3	
1/125	<input type="checkbox"/>		<input type="checkbox"/>		<input type="checkbox"/>	
1/250	<input type="checkbox"/>		<input type="checkbox"/>			<input checked="" type="checkbox"/>
1/500	<input type="checkbox"/>			<input checked="" type="checkbox"/>	<input type="checkbox"/>	
1/1,000	<input type="checkbox"/>			<input checked="" type="checkbox"/>		<input checked="" type="checkbox"/>
1/2,000		<input checked="" type="checkbox"/>	<input type="checkbox"/>		<input type="checkbox"/>	
1/4,000		<input checked="" type="checkbox"/>	<input type="checkbox"/>			<input checked="" type="checkbox"/>
1/8,000		<input checked="" type="checkbox"/>		<input checked="" type="checkbox"/>	<input type="checkbox"/>	
1/12,000		<input checked="" type="checkbox"/>		<input checked="" type="checkbox"/>		<input checked="" type="checkbox"/>



- 1) SW1-1, SW1-2 and SW1-3 switches are effective only when the SW1-8 switch is set at OFF position.
- 2) Exposing the CCD to direct or scattered bright light or to AC powered light, the following may appear.
  - Strong smear and/or blooming.
  - Noticeable flicker in the picture.

### 7-1-2. Binning mode (SW1-4)

This switch selects the Binning mode.

- OFF : Normal mode (60 frames/sec.)
- ON : Binning mode (120 frames/sec.)



At the Binning mode, please note that vertical resolution would be lower (1/2 approx.) of normal mode.

### 7-1-3. Ext. trigger/readout modes (SW1-5, SW1-6)

These switches select the ext. trigger/readout mode, as below.

Ext. trigger mode	Switch setting (OFF : <input type="checkbox"/> /ON : <input checked="" type="checkbox"/> )			
	SW1-5		SW1-6	
OFF	<input type="checkbox"/>		<input type="checkbox"/>	
Edge pre-select		<input checked="" type="checkbox"/>	<input type="checkbox"/>	
Pulse width control	<input type="checkbox"/>			<input checked="" type="checkbox"/>
Frame-delay readout		<input checked="" type="checkbox"/>		<input checked="" type="checkbox"/>

### 7-1-4. Partial scan (SW1-7)

This switch selects the Partial scan mode. The effective number of lines can be set via RS 232C, or by jumpers.

- OFF : Normal readout mode
- ON : Partial scan mode

### 7-1-5. RS 232C interface (SW1-7)

This switch selects the RS 232C interface.

- OFF : All functions can be set by switches and jumpers.
- ON : RS 232C interface is activated.

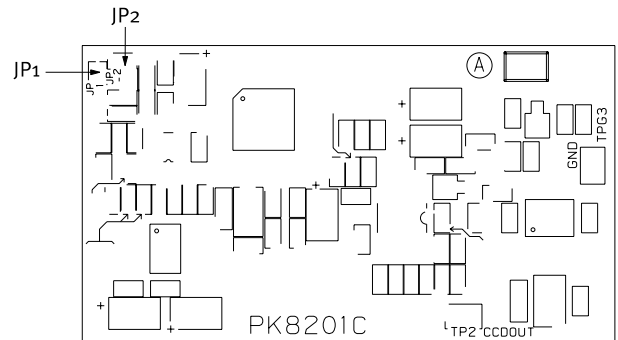


## 7-2. Jumpers on board

### 7-2-1. Jumpers on PK8201 board

Jumpers JP1 and JP2 are used to select the gamma setting. See table below for options. Please note that both jumpers must be in the "open" position to allow RS 232C setting of gamma. If no setting is provided via RS 232C, the camera will default to gamma 1.0.

Jumpers	Setting by jumpers		Setting by RS 232C	Forbidden
	0.45	1.0		
JP1	Short	Open	Open	Short
JP2	Open	Short	Open	Short



Note : Gamma is set at "Setting by RS 232C interface" with 1.0.



Do not set the jumpers both JP1/JP2 at short circuited, as it causes a serious damage to the camera.

### 7-2-2. Jumpers on PK8202 board

Jumpers JP5, JP6 and JP7 enable or disable the ext. trigger input, the WEN output and pixel clock output, respectively.

Jumpers	#5 of 6pin connector		#6 of 6pin connector		#9 of 12 pin connector	
	NC	Trigger in	NC	WEN out	NC	Pixel clock out
JP5	Open	Short				
JP6			Open	Short		
JP7					Open	Short

Function Mode	Rear Board (PK8202)						
	JP5	JP6	JP7	JP18	JP19	JP20	JP21
Int. Sync	0	0	O/S	O/S	O/S	0	O/S
Ext. Sync	0	0	O/S	O/S	S	0	S
H Rest Trigger (12P)	0	0	O/S	O/S	S	0	S
H Non Reset Trigger (12P)	0	0	O/S	O/S	S	0	S
H Rest Trigger (6P)	S	S	O/S	O/S	0	0	0
H Non Reset Trigger (6P)	0	S	O/S	O/S	0	S	S

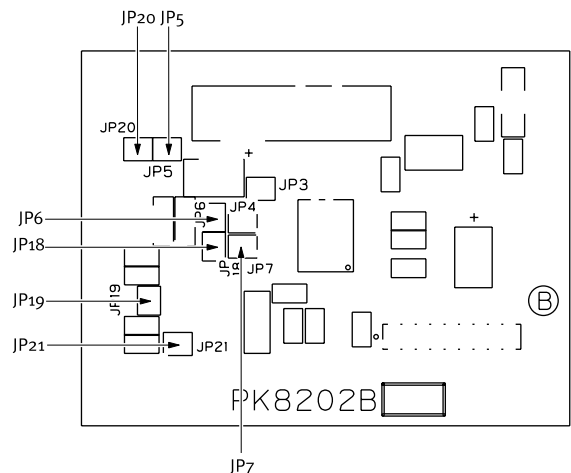
O=Open S=Short

H Rest Trigger Mode and H Non Reset Trigger Mode are corresponding to the following triggers: Edge Pre-select Mode, Pulse Width Control Mode, and Frame Delay Readout Mode

(12P): Trigger Mode using only 12 pin connector

(6P): Trigger Mode where 6 pin connector is used for both Trigger and WEN, and 12 pin connector is used for HD input.

JP7 and JP18 must not be SHORT at the same time.



7-2-3. Jumpers on PK8273 board

a) Jumpers JP8 thru JP13 control the input/output state as well as the termination of the HD and VD signals on pin #6 and #7 of the 12 pin connector.

Function Mode	I/F Board (PK8273)					
	JP9	JP12	JP8	JP11	JP13	JP10
Int. Sync	O/S	O/S	O/S	O/S	O/S	O/S
Ext. Sync	S	O	O/S	S	O	O/S
H Reset Trigger (12P)	O	S	-	S	O	O/S
H Non Rest Trigger (12P)	S	O	O/S	S	O	O/S
H Reset trigger (6P)	O	S	-	S	O	O/S
H Non Reset trigger (6P)	S	O	O/S	S	O	O/S

Pin no. of 12pin connector	#6		#7			Factory pre-set	
	HD signal		VD signal				
	Input	Output	Input	Output		#6:input #7:input	
Jumpers	75 ohm	TTL	75 ohm	75 ohm	TTL	75 ohm	
JP8	/	/	/	Short	Open	/	Open
JP9	/	/	/	Short		Open	Short
JP10	Short	Open	/	/	/	/	Open
JP11	Short		Open	/	/	/	Short
JP12	/	/	/	Open		Short	Open
JP13	Open		Short	/	/	/	Open

b) Jumpers JP14 thru JP17 control the effective number of lines in the partial scan mode.

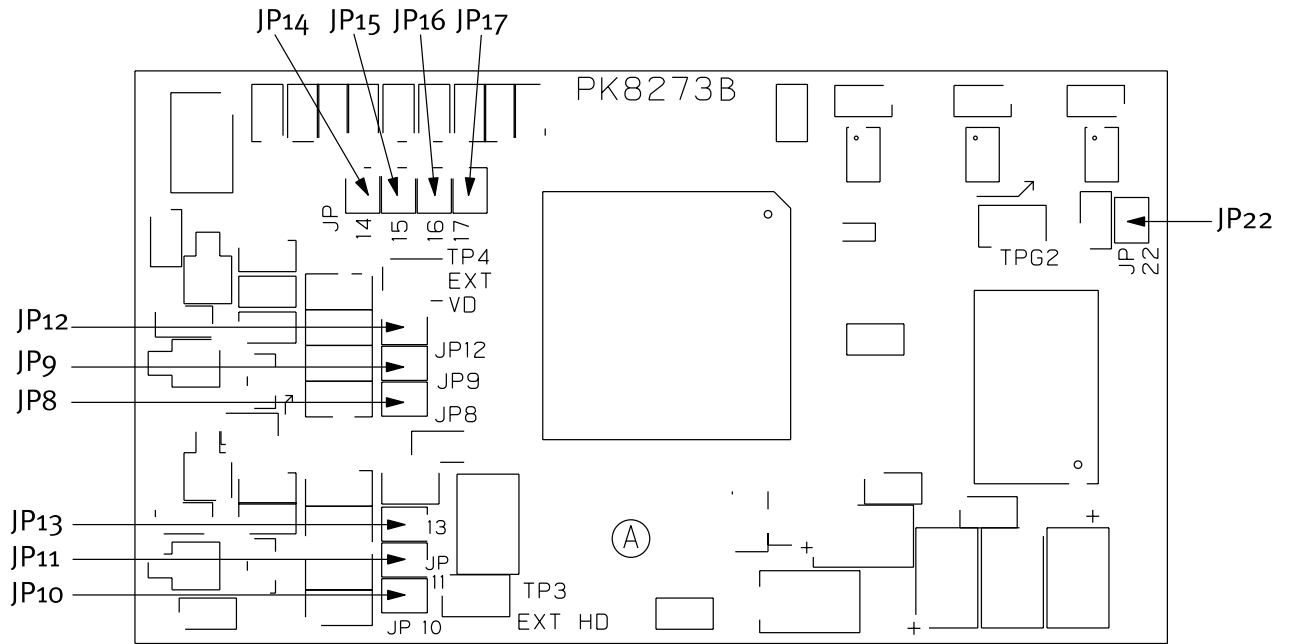
Valid period	JP14	JP15	JP16	JP17
30Line 30(V) × 648(H)	Short	Open	Open	Open
60Line 60(V) × 648(H)	Open	Short	Open	Open
120Line 120(V) × 648(H)	Open	Open	Short	Open
240Line 240(V) × 648(H)	Open	Open	Open	Short

Note : Partial scan is set at 120 (v) as factory pre-set.

c) JP22 WEN Polarity Reversing

When JP22 is set to OPEN, WEN is output, and only 1H period becomes HIGH level before video output starts. The periods from WEN output and video start may differ at each mode. When JP22 is set to SHORT, WEN's image output period becomes LOW level, and after finishing output, it becomes HIGH level.

The periods from WEN output and video start is same at each mode.

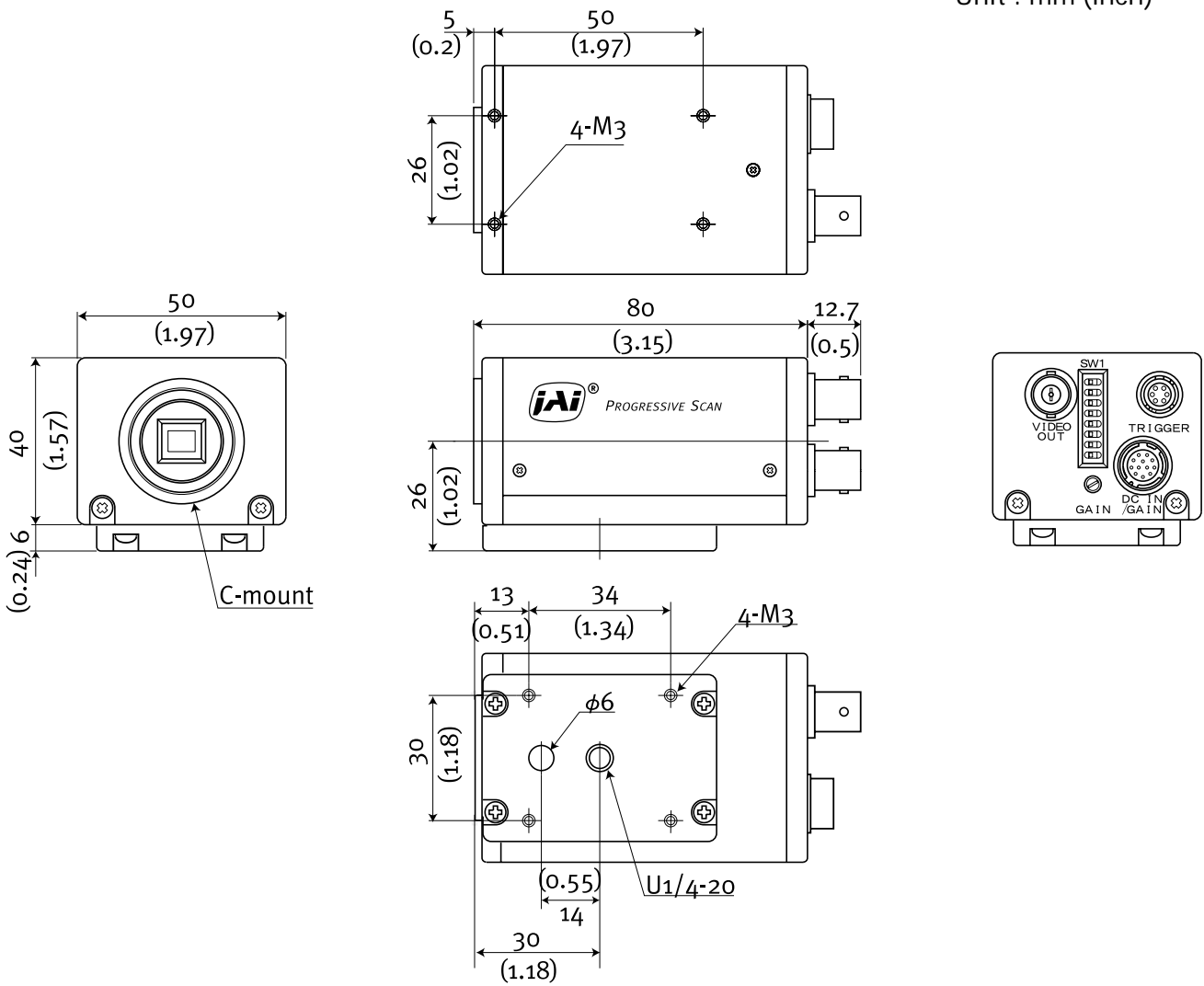


Board No. PK8273B

# CV-M40

## 8. External appearance

Unit : mm (inch)



**9. Specification**

Model name	<b>CV-M40</b>
Scanning system	525 lines, 60 frames/sec.
CCD sensor	Monochrome 1/2" IT CCD sensor progressive scan
Sensing area for video out	6.4 mm (h) x 4.8 mm (v)
Effective pixels	659 (h) x 494 (v)
Cell size	9.9 (h) x 9.9 (v) $\mu$ m
Resolution (horizontal)	480 TV line
Resolution (vertical)	480 TV line
Sensitivity	0.23 Lux, Max gain, 50% video
S/N ratio	48 dB (AGC OFF, Gamma=1.0)
Video output	Composite VS signal 1.0Vpp at 75Ohm or Video without sync. 0.7 Vpp, 75 Ohm
Gain	Auto or manual (0 to + 12 dB)
Gamma	1.0 or 0.45
Synchronization	Internal X'tal., ext. HD/VD or random trig
Shutter	off (1/60) 1/125, 1/250, 1/500, 1/1000, 1/2000, 1/4000, 1/8000, 1/12000
Serial interface	RS 232C
Functions	Electronic shutter, Ext. trigger mode, Binning mode, Partial scan
Operating environment	Temperature : -5 °C to +45 °C Humidity : 20% to 80% non-condensing
Power	+12 VDC $\pm$ 10%, 5 w
Lens mount	C-mount
Dimensions	40 x 50 x 80 (HxWxD) mm
Weight	245 g approx.

Note : Above specifications are subject to change without notice.

## **10. Appendix**

### **10.1. Precautions**

Personnel not trained in dealing with similar electronic devices should not service this camera.

The camera contains components sensitive to electrostatic discharge. The handling of these devices should follow the requirements of electrostatic sensitive components.

Do not attempt to disassemble this camera.

Do not expose this camera to rain or moisture.

Do not face this camera towards the sun, extreme bright light or light reflecting objects. Even when this camera is not in use, put the supplied lens cap on the lens mount.

Handle this camera with the maximum care.

Operate this camera only from the type of power source indicated on the camera.

Power off the camera during any modification such as changes of jumper and switch setting.

### **10.2. Typical CCD Characteristics**

The following effects may be observed on the video monitor screen. They do not indicate any fault of the CCD camera, but do associate with typical CCD characteristics.

#### **V. Smear**

Due to an excessive bright object such as electric lighting, sun or strong reflection, vertical smear may be visible on the video monitor screen. This phenomenon is related to the characteristics of the Interline Transfer System employed in the CCD.

#### **V. Aliasing**

When the CCD camera captures stripes, straight lines or similar sharp patterns, jagged image on the monitor may appear.

#### **Blemishes**

Some pixel defects can occur, but this does not have an effect on the practical operation.

#### **Patterned Noise**

When the CCD camera captures a dark object at high temperature or is used for long time integration, fixed pattern noise (shown as white dots) may appear on the video monitor screen.

## 11. User's Record

Camera type: CV-M40  
Scanning system: EIA  
Revision: (Revision C)  
Serial No. ....

---

### Users Mode Settings

### Users Modifications

---

This manual can be downloaded from: [www.jai.com](http://www.jai.com)

2700-1114 E C1 0701

**JAI A-S, Denmark**  
Produktionsvej 1, 2600 Glostrup  
Copenhagen, Denmark  
Phone +45 4457 8888  
Fax +45 4491 8880  
[www.jai.com](http://www.jai.com)

**JAI Corporation, Japan**  
German Industry Center  
1-18-2 Hakusan, Midori-ku  
Yokohama,  
Kanagawa 226-0006, Japan  
Phone +81 45 933 5400  
Fax +81 45 931 6142  
[www.jai-corp.co.jp](http://www.jai-corp.co.jp)

**JAI America, Inc., USA**  
Suite 450  
23046 Avenida de la Carlota  
Laguna Hills, CA 92653  
USA  
Phone +1 949 472 5900  
Fax +1 949 472 5908  
[www.jai.com](http://www.jai.com)



**THE MECHADEMIC COMPANY**



## Free Manuals Download Website

<http://myh66.com>

<http://usermanuals.us>

<http://www.somanuals.com>

<http://www.4manuals.cc>

<http://www.manual-lib.com>

<http://www.404manual.com>

<http://www.luxmanual.com>

<http://aubethermostatmanual.com>

Golf course search by state

<http://golfingnear.com>

Email search by domain

<http://emailbydomain.com>

Auto manuals search

<http://auto.somanuals.com>

TV manuals search

<http://tv.somanuals.com>