


JBL

®

GT5-A3011

OWNER'S MANUAL

**BEDIENUNGSAN-
LEITUNG**

MODE D'EMPLOI

MANUAL DE USO

HANDLEIDING

**MANUALE DEL
PROPRIETARIO**

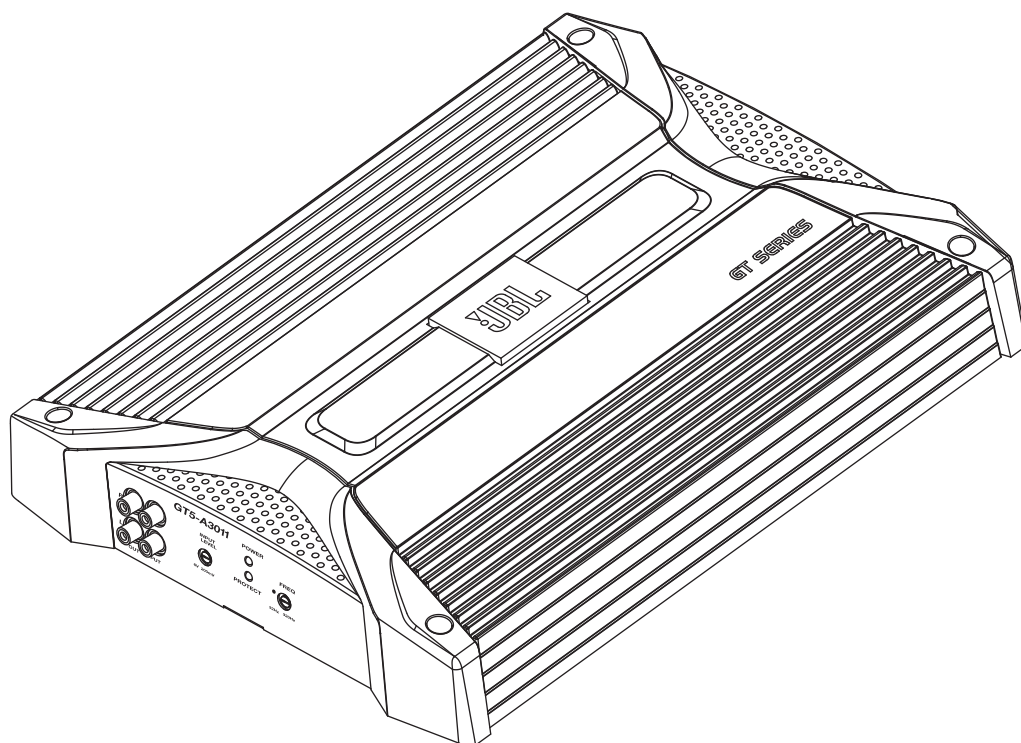
ANVÄNDARHANDBOK

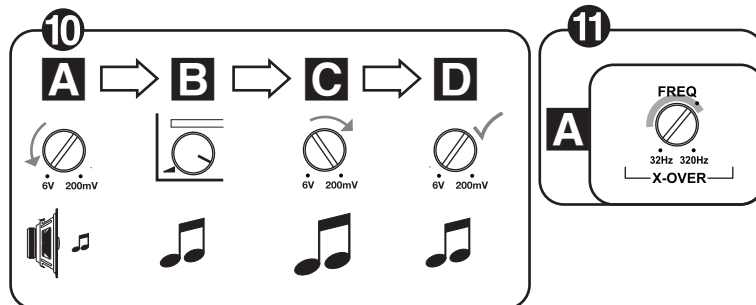
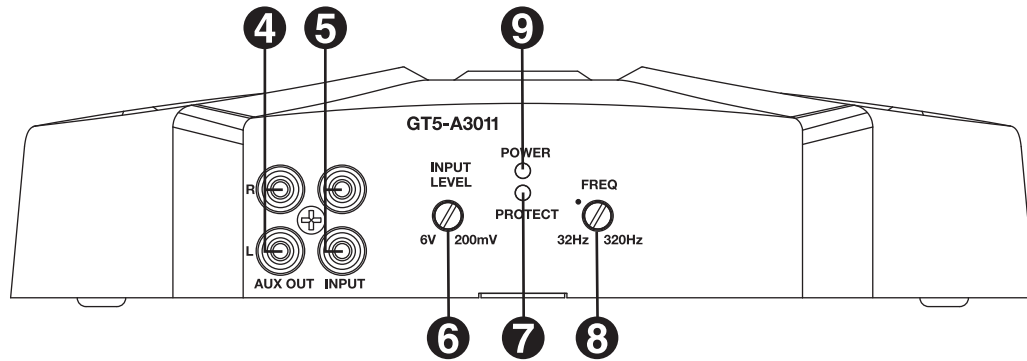
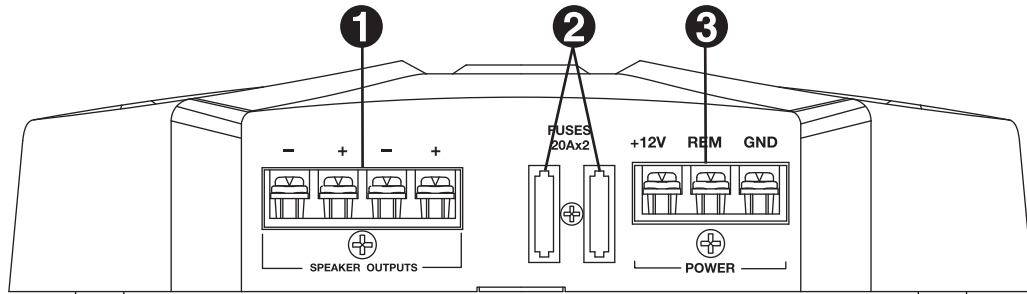
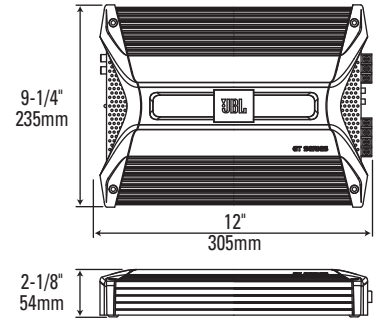
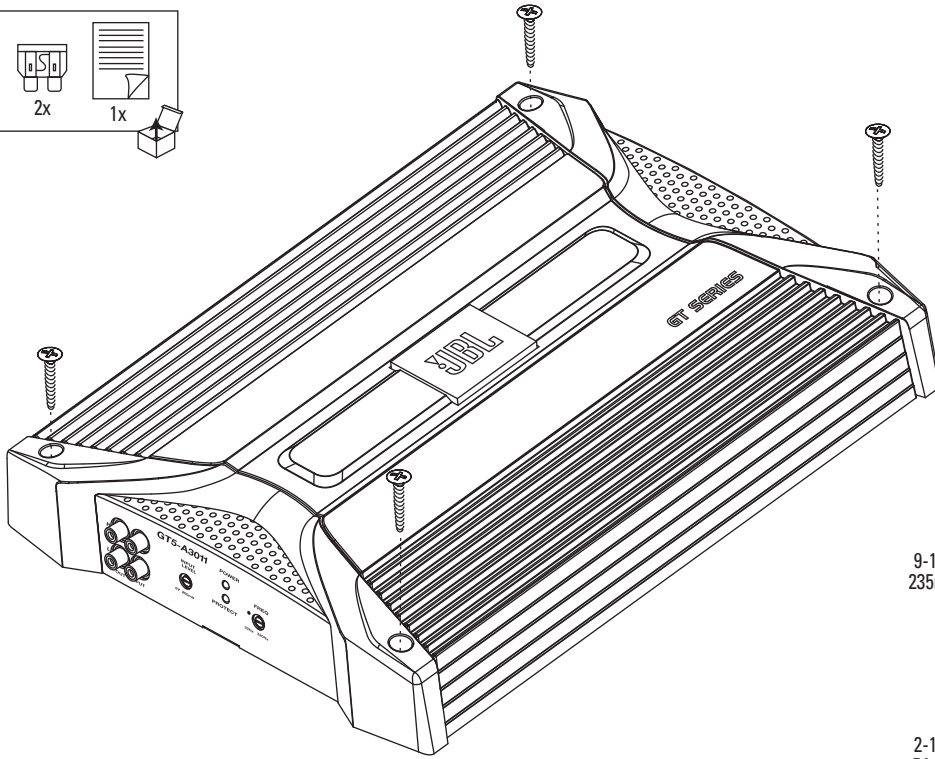
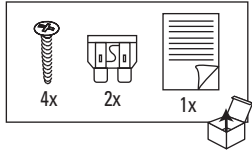
BRUGSVEJLEDNING

OMISTAJAN KÄSIKIRJA

**PODRĘCZNIK
UŻYTKOWNIKA**

**РУКОВОДСТВО
ПОЛЬЗОВАТЕЛЯ**





GT5-A3011 CAR AUDIO SUBWOOFER AMPLIFIER OWNER'S MANUAL

Installation Warnings and Tips

- Disconnect the negative (-) lead from your vehicle's battery.
- At the installation sites, locate and make a note of all fuel lines, hydraulic brake lines, vacuum lines and electrical wiring. Use extreme caution when cutting or drilling in and around these areas.
- Choose a safe mounting location away from moisture.
- Make sure there is sufficient air circulation at the mounting location for the amplifier to cool itself.
- Mount the amplifier, using the supplied hardware.

Specifications

- 200W RMS x 1 @ 4 ohms and ≤1% THD + N*
 - 300W RMS x 1 @ 2 ohms, 14.4V supply and ≤1% THD + N*
 - Maximum input signal: 6V*
 - Maximum sensitivity: 200mV*
 - THD + N: 0.05%*
 - Signal-to-noise ratio: 95dBA (reference 1W into 4 ohms)*
 - Signal-to-noise ratio: 120dBA (reference rated power into 4 ohms)
 - Frequency response: 10Hz – 300Hz (-3dB)*
 - Total peak power: 600 watts
- * CEA-2006A-compliant

1 Speaker Output Connectors

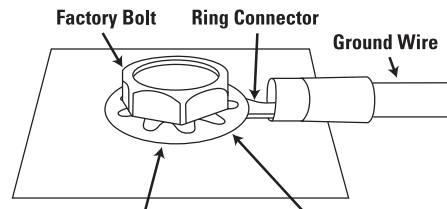
- Connect the subwoofer to these terminals, observing proper polarity. Either + or - terminal may be used. Minimum total impedance is 1 ohm.

2 Fuses

- Replace only with the same type and rating.

3 Power Input Connectors

- +12V: Connect to the positive terminal of the vehicle's battery. 8 AWG wire is recommended. Install an appropriate fuse holder and fuse (40A minimum) within 18 inches of the battery. Make sure the wire is not damaged or pinched during installation. Install protective grommets when routing wires through the firewall or other sheet metal.
- GND: Connect to the vehicle's chassis. Refer to the picture below.



Note: Remove any paint below ring connector.

- REM: Connect to the "Remote Out" lead from the source unit or to a source of switched +12V (ACC).

4 Aux Output Connectors (RCA)

- Nonfiltered pass-through output. Connect to the input of an additional amplifier.

5 Input Connectors (RCA)

- Connect to the RCA outputs from the source unit or signal processor.

6 Input-Level Control

- Used to match the input level of the amplifier to the output level of the source unit.
- See 10 for the adjustment procedure.

7 Protect LED

- Illuminated under any of the following fault conditions: battery over/under voltage, short circuit in speaker wires, amplifier is too hot, amplifier's output circuit has failed (DC voltage is present in the amplifier's output).

8 Low-Pass Filter Frequency Control

- 12dB/octave low-pass filter, variable from 32Hz to 320Hz.
- See 11 for the adjustment procedure.

9 Power On LED

- Illuminated when the amplifier is on.

10 Setting Input Level

- A** Turn Input Level control counterclockwise to 6V (minimum).
- B** With a dynamic music track playing, turn the head unit's volume control to the 3/4 position.
- C** Turn Input Level control clockwise until the bass output is proportionate to the output of the high-frequency speakers, according to your preference.
- D** Input level is now adjusted correctly.

11 Setting the Crossover

- A** Crossover setting for subwoofers.
- Note:** Acceptable frequency ranges are indicated in gray.

This product is designed for mobile applications and is not intended for connection to the mains. A valid serial number is required for warranty coverage. Features, specifications and appearance are subject to change without notice.



Harman Consumer Group, Inc.
250 Crossways Park Drive, Woodbury, NY 11797
www.jbl.com

© 2008 Harman International Industries, Incorporated. All rights reserved.


JBL is a trademark of Harman International Industries, Incorporated,
registered in the United States and/or other countries. GT Series is a
trademark of Harman International Industries, Incorporated.

Part No. GT5A30110M 7/08

H A Harman International Company




Declaration of Conformity



We, Harman Consumer Group, Inc.
2, route de Tours
72500 Château du Loir
France

declare in own responsibility that the product described in this owner's
manual is in compliance with technical standards:
EN 55013:2001+A1:2003
EN 55020:2002+A1:2003



Klaus Lebherz
Harman Consumer Group, Inc.
Château du Loir, France 7/08

Free Manuals Download Website

<http://myh66.com>

<http://usermanuals.us>

<http://www.somanuals.com>

<http://www.4manuals.cc>

<http://www.manual-lib.com>

<http://www.404manual.com>

<http://www.luxmanual.com>

<http://aubethermostatmanual.com>

Golf course search by state

<http://golfingnear.com>

Email search by domain

<http://emailbydomain.com>

Auto manuals search

<http://auto.somanuals.com>

TV manuals search

<http://tv.somanuals.com>