

JBL

GTO SERIES



Automotive Tweeter Owner's Manual GT015T

Installation Warnings and Tips **JBL GTO15T**

Introduction

Thank you for choosing the JBL GTO15T. These tweeters have been designed to provide smooth high-frequency reproduction, high power handling and ease of installation.

Please read this manual thoroughly before you begin your installation. It includes information that will make your installation as simple and trouble-free as possible. Also, don't forget to send in your warranty registration card, and keep your sales receipt somewhere safe in case you need warranty service.

About These Instructions

Installation of automotive stereo components can require extensive experience with a variety of mechanical and electrical procedures. Although these instructions explain how to install GTO15T tweeters in a general sense, they do not show the exact installation methods for your particular vehicle. If you feel you do not have the experience, do not attempt the installation yourself, but instead ask your authorized JBL car audio dealer about professional installation options.

Loud Music and Hearing

Playing loud music in an automobile can permanently damage your hearing, as well as hinder your ability to hear traffic. The maximum volume levels achievable with JBL speakers, combined with high power amplification, may exceed safe levels for extended listening. We recommend using low volume levels when driving. JBL accepts no liability for hearing loss, bodily injury, or property damage as a result of use or misuse of this product.

About the Crossover

Passive-crossover design involves precise circuit design and component selection. Moreover, a well-designed crossover circuit provides an intended electrical response, when combined with the electrical properties of the speaker, to provide a particular acoustic response. Each enclosed crossover has been optimized to provide a flat response when used with a GTO15T tweeter.

Do not use another brand or type of passive crossover, or connect more than one tweeter to a crossover. Doing so may damage the tweeter.

Speaker Placement **JBL GTO15T**

About Placement

Figures 1 and 2 show possible speaker placements with Figure 1 being more desirable. We recommend using the kick panel for mounting to obtain the best staging and imaging in most vehicles.

Figure 1. Mounting the woofer and tweeter in the kick panel.

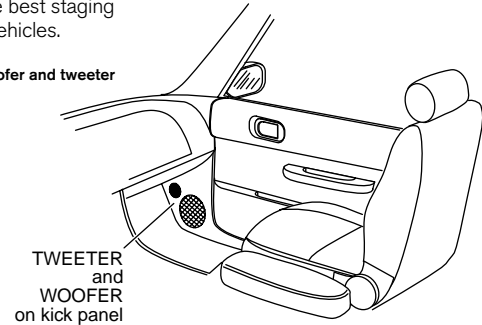
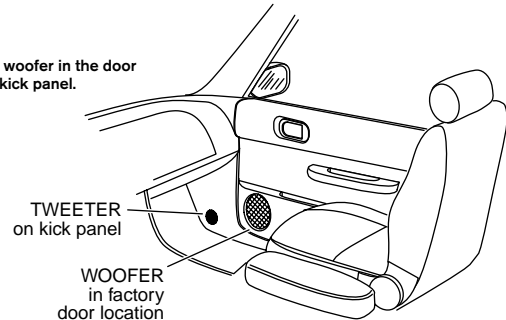


Figure 2. Mounting the woofer in the door and the tweeter in the kick panel.



Tweeter Installation JBL GT015T

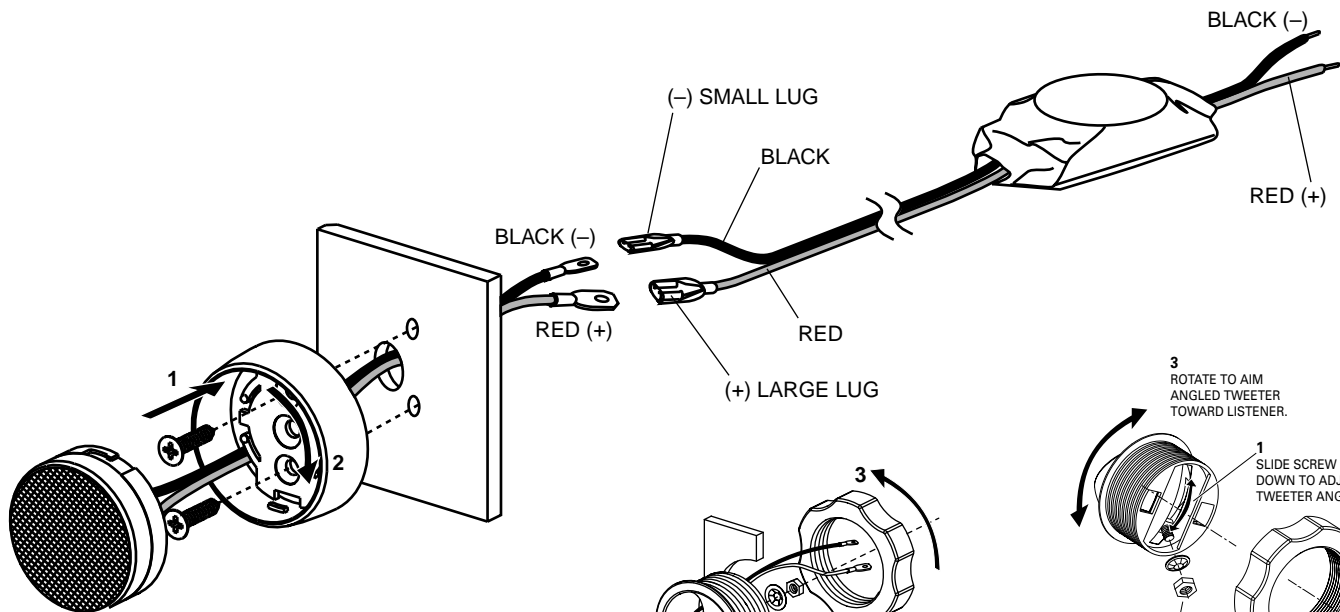


Figure 3. Surface-mounting the tweeter and connecting the crossover.

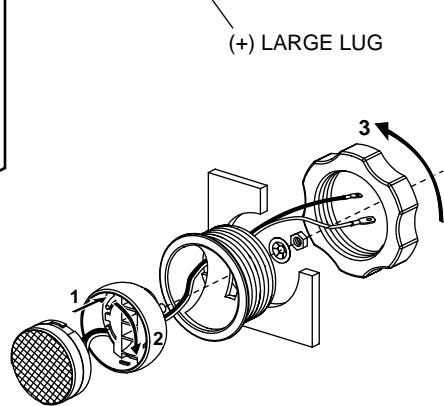


Figure 4. Mounting the tweeter using the I-Mount™ (patent no. 5,859,917) flush-mounting kit. Also see Figure 5.

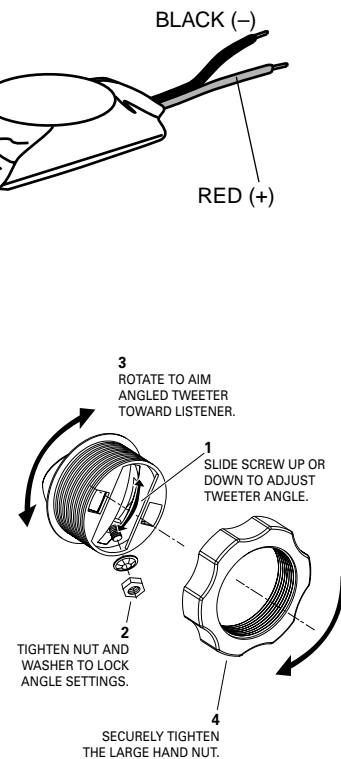





Figure 5. Aiming the tweeter at a desired listening position.



Specifications JBL GT015T

Type	1" component tweeter
Speaker Impedance	4 ohms
Power Handling:	50W RMS, 150W peak (with enclosed crossover)
Sensitivity (2.83V, 1m)	91dB
Frequency Response	2.5kHz – 21kHz

General Care:

The loudspeaker grilles may be cleaned with a damp cloth. Do not use any cleaners or solvents on the grilles or the speaker cones.

JBL Consumer Products • 250 Crossways Park Drive, Woodbury, NY 11797 USA 1-800-336-4JBL (4525) www.jbl.com	
©2000 JBL, Incorporated • JBL is a registered trademark of JBL, Incorporated	
Made in USA Printed in USA 3/01  Part No. GT015TOM3/01	
 A Harman International Company	

Declaration of Conformity	
	
We, Harman Consumer International 2, route de Tours 72500 Chateau-du-Loir FRANCE	
declare in own responsibility, that the product described in this owner's manual is in compliance with technical standards:	
EN 50081-1:1992	
EN 50082-1:1992	
Lutz Uphoff Harman Consumer International Chateau-du-Loir, France, 3/01	

Free Manuals Download Website

<http://myh66.com>

<http://usermanuals.us>

<http://www.somanuals.com>

<http://www.4manuals.cc>

<http://www.manual-lib.com>

<http://www.404manual.com>

<http://www.luxmanual.com>

<http://aubethermostatmanual.com>

Golf course search by state

<http://golfingnear.com>

Email search by domain

<http://emailbydomain.com>

Auto manuals search

<http://auto.somanuals.com>

TV manuals search

<http://tv.somanuals.com>