



# Automotive Component Systems

**P-42c, P-52c, P-62c Owner's Manual**

**GENUINE JBL**

Download from [Www.Somanuals.com](http://www.Somanuals.com). All Manuals Search And Download.

**Thank you** for purchasing a JBL Power Series™ 2-Way Component System. We've organized this manual to make your installation as simple and trouble-free as possible. Please read through it completely before proceeding. If, after having read it, you decide that you would rather leave installation to a professional, consult your JBL Power Series Dealer.

### Autosound at Its Best

Your JBL Component System is built to meet the same rigorous standards of construction and performance that have long established JBL's renowned home and professional speaker systems. Your Component System has been designed using a combination of technologies that bring high value to high performance. The tweeter dome used in your Component System tweeter is manufactured from a proprietary material known as Titanium Composite. This material combines the control and damping of an advanced polymer with the reinforcing stiffness of vapor-deposited titanium to prevent breakup at high levels.

Similarly, the woofer cones are manufactured with a proprietary injection-molded titanium-composite cone in order to deliver the clarity and effortless power that have made JBL famous. This cone is suspended by a heavy butyl-rubber surround, which serves to absorb any remaining cone resonances for the clearest, most articulate reproduction of voices and other mid-range sounds. As a bonus, the butyl-rubber surround is impervious to temperature extremes and humidity, making it ideal for automotive applications. By following the installation recommendations and suggestions included in this manual, you will be assured of many years of trouble-free enjoyment from your Power Series loudspeakers.

### Component System Parts

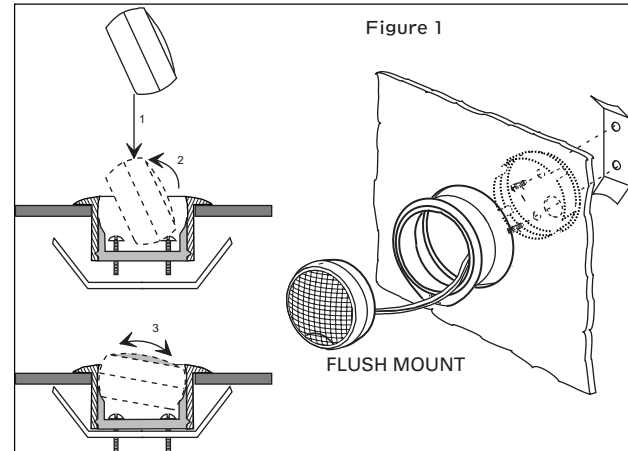
Your new Component System consists of a neodymium magnet tweeter and either a 4", 5-1/4", or 6-1/2" midwoofer. This system has also been supplied with an outboard crossover network to provide precision division of frequencies between the two components. Figure 2 is an illustration of the proper wiring procedure of the Component System.

### Important Paperwork

Before proceeding, be sure to put the sales receipt from your JBL Component System purchase in a safe place. It is necessary to validate your Limited Warranty. Having access to the receipt is also valuable for insurance purposes and when it comes time to resell your vehicle.

### Tweeter Installation

The tweeter has been supplied with both surface- and flush-mount brackets. Figures 1 and 2 show the proper way to flush- and surface-mount the tweeter. The mounting hole diameter of the flush-mount frame is 1-7/16".



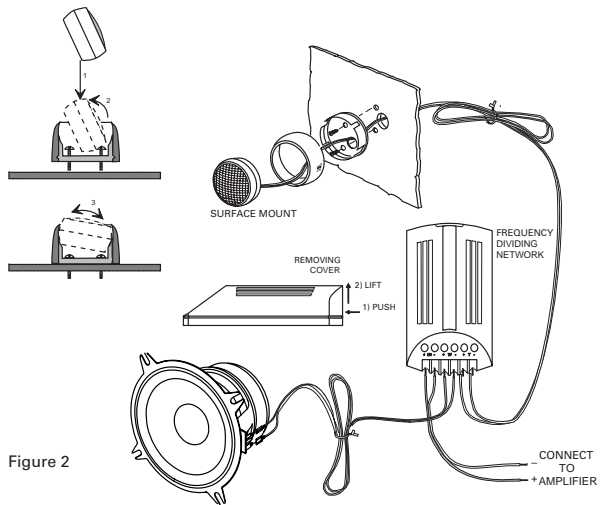
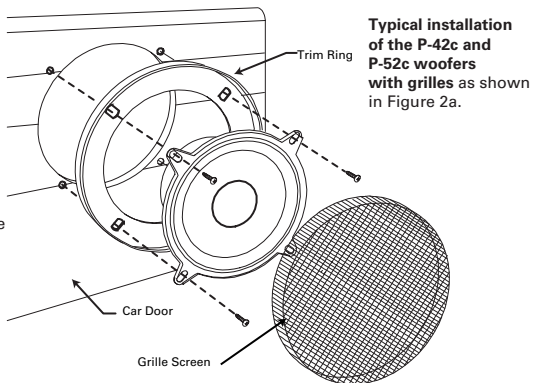
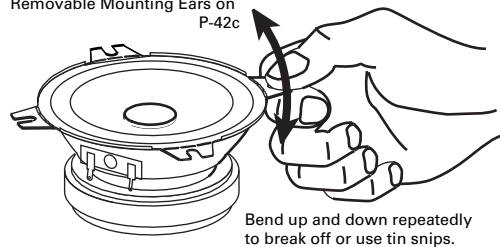


Figure 2a. Grille mounting



Removable Mounting Ears on P-42c

Figure 4a



- Some Toyota installations may require mounting ears to be removed from opposite sides.
- Some European car installations may require all four ears to be removed.

Installation of the P-42c woofer as shown in Figures 4a and 4b.

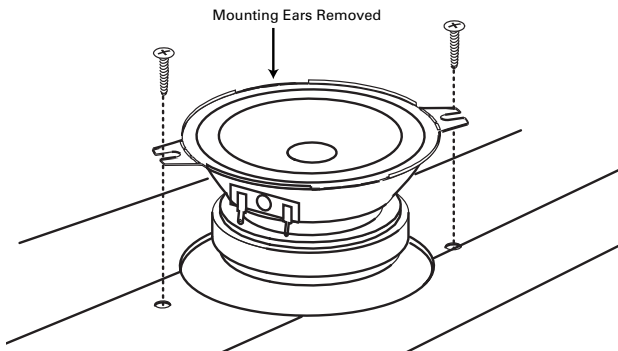
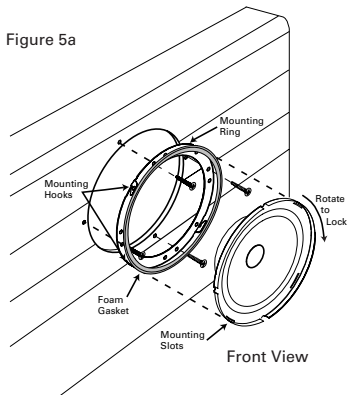


Figure 4b  
Two-Screw Mounting Configuration

Figure 5a



Installation of the P-62c woofer with the Intermount II (pat. pend.) mounting system is shown in Figures 5a, b, c.

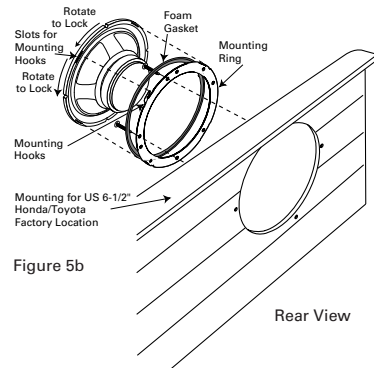


Figure 5b

Custom Door Mounting with Grille Screw Patterns Fit DIN (European) 165/170mm Mounting Holes.

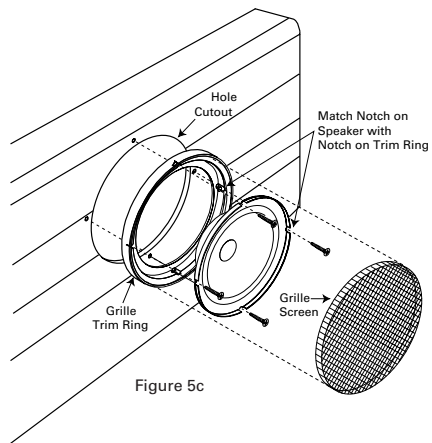
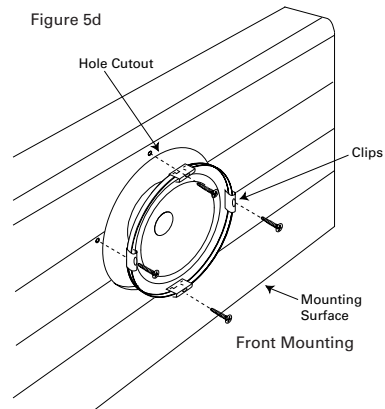


Figure 5c

Figure 5d



Mounting the P-62c woofer in 165/170mm DIN (European) installations using the Intermount II™ clips shown in Figures 5d and 5e.

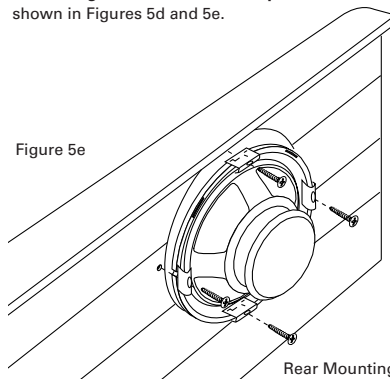


Figure 5e

## Component Placement

Because of the JBL Component System's small size and extremely versatile mounting options, there are an almost infinite number of placement options to achieve excellent sound quality in any vehicle. Please consider the following statements to help you get the most from your system.

1. The most spacious stereo image is achieved when the left and right speaker systems are placed as far apart as possible.
  2. The best center image will be achieved when the distance from the left speaker and the right speakers are as equal as possible from your listening position. This is most easily achieved by placing the speakers as far forward as possible.
  3. Treble is directional in nature. This means that high frequencies are reduced as you move off the tweeter's axis. The angle mounts will allow the tweeters to be pointed across the car to the listener on the opposite side. This will make each listener slightly off-axis to the tweeter that is closest to that listener, which helps to compensate for the fact that the listener is always closer to one tweeter than to the other (see Figure 6).
- The best system integration is achieved when the tweeter is mounted close to the midwoofer speaker. This helps smooth the transition from the midrange and tweeter at the crossover point. Choosing mounting locations that satisfy all of the above criteria will provide the most satisfying performance.

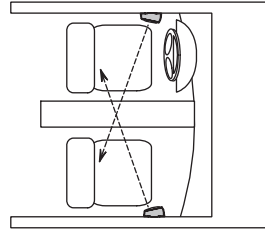


Figure 6

## System Design

There are a variety of system options available with the Component System. The simplest configuration is to use them full range with their built-in passive crossovers by connecting them to the output of a head unit or an amplifier (Figures 7 and 8).

A more advanced system design can be achieved by adding a Decade™ GT, Power, GTi, or equivalent subwoofer to your component system. In this case the component system will be used as high and midbass frequency drivers and should have their extremely low frequencies blocked by electrical means. Active or passive crossovers can be used in order to achieve the best system fidelity and widest dynamic range. Crossover frequency recommendations are given in the Specifications.

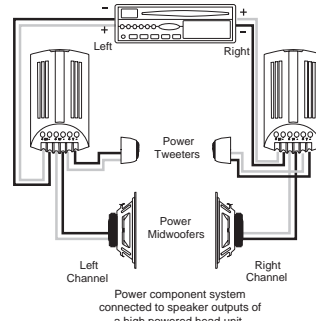


Figure 7

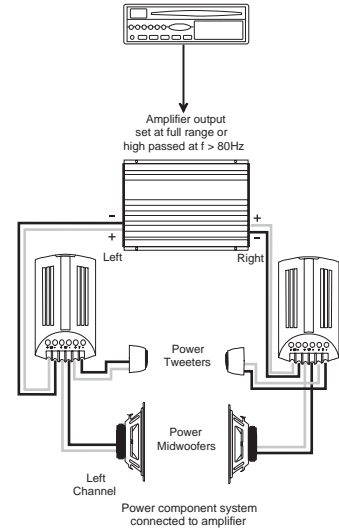


Figure 8

## Installation Warnings and Tips

- Be careful not to cut or drill into fuel tanks, fuel lines, brake or hydraulic lines, vacuum lines or electrical wiring when working on your vehicle. Inspect behind panels before you cut or drill.
- Make sure that the midwoofer will physically fit in the mounting location. If door mounting, check for adequate clearance with the window in both rolled-up and rolled-down positions as well as for interference with window crank and power window mechanism. If mounting elsewhere, check for clearance around rear deck torsion bars, glove box or other structural elements.
- Do not mount speakers where water may splash on the cones.
- Make sure that it will be easy to run connecting wires to the speakers. Trace speaker wire paths before you undertake mounting.
- Always disconnect the ground wire from the battery before doing any work on the vehicle.

**CAUTION: Fuel tanks are located directly beneath the rear deck in some cars. Check for adequate speaker basket clearance before considering this location!**

## A Note on Power Handling

As a result of their high efficiency, all JBL loudspeakers will produce reasonable volume levels in the automotive environment using very little amplifier power. However, the use of a small amplifier to attain very high volume levels could lead to over-driving the amplifier. This will generate high distortion levels which can easily damage loudspeakers, even if the rated power of the amplifier is below the rated maximum power handling of the loudspeaker!

As a general rule, do not turn up the volume control past the point where you hear distortion in the form of either signal distortion from an overdriven amplifier or mechanical noise from an overstressed speaker.

For the best performance and system reliability, you should select an amplifier with an output rating greater than the maximum power likely to be used to generate the desired volume levels.

If you want your system "Loud + Clear," we suggest that you step up to a JBL power amplifier which has an RMS power rating equal to, but not exceeding the *Maximum Recommended Amplifier Power* listed in the specifications of your specific JBL speaker. This margin of reserve power will ensure that the amplifier will not attempt to deliver more power than its design allows. Your dealer will be happy to point out which high power JBL amplifiers are optimum for your application and listening habits. Following these guidelines will provide virtually distortion-free sound reproduction and long loudspeaker life.

**WARNING: Playing loud music over 120dB can permanently damage your hearing. The maximum volume levels achievable with JBL components and high power amplification may exceed safe levels for extended listening. When listening at high volume levels, always use hearing protection or turn the volume down!**

## Specifications

### Component Systems

Model	P-62c	P-52c	P-42c
	Power Series Automotive 6-1/2" 2-Way Component System 1/2" titanium-composite neodymium magnet tweeter. Surface- and flush- mounting brackets supplied Injection-molded titanium- composite woofer cone with butyl-rubber surround	Power Series Automotive 5-1/4" 2-Way Component System 1/2" titanium-composite neodymium magnet tweeter. Surface- and flush- mounting brackets supplied Injection-molded titanium- composite woofer cone with butyl-rubber surround	Power Series Automotive 4" 2-Way Component System 1/2" titanium-composite neodymium magnet tweeter. Surface- and flush- mounting brackets supplied Injection-molded titanium- composite woofer cone with butyl-rubber surround
Speaker Impedance	4 Ohms	4 Ohms	4 Ohms
Recommended Amplifier Power Range	10 – 200 Watts RMS	10 – 175 Watts RMS	10 – 150 Watts RMS
Frequency Response	45Hz – 22kHz	55Hz – 22kHz	65Hz – 22kHz
Sensitivity	90dB	89dB	89dB
Mounting Depth			
Drop In:	2-3/16"	2-7/8"	1-7/8"
Bottom Mount:	2-9/16"	2-1/2"	2"

Declaration of Conformity



We, JBL Europe A/S  
Kongevejen 194B  
DK-3460 Birkerød  
DENMARK

declare in own responsibility, that the products described  
in this owner's manual are in compliance with technical  
standards:

EN 50 081-1/1992  
EN 50 082-1/3.1995

A handwritten signature in black ink, appearing to read 'Steen Michaelsen'.

Steen Michaelsen  
JBL Europe A/S  
Birkerød, DENMARK. 1/98



JBL Consumer Products  
250 Crossways Park Drive  
Woodbury, NY 11797  
800-336-4JBL (4525)  
[www.jbl.com](http://www.jbl.com)

**H** A Harman International Company

Part No. POWSYSOM  
Made in USA





## Free Manuals Download Website

<http://myh66.com>

<http://usermanuals.us>

<http://www.somanuals.com>

<http://www.4manuals.cc>

<http://www.manual-lib.com>

<http://www.404manual.com>

<http://www.luxmanual.com>

<http://aubethermostatmanual.com>

Golf course search by state

<http://golfingnear.com>

Email search by domain

<http://emailbydomain.com>

Auto manuals search

<http://auto.somanuals.com>

TV manuals search

<http://tv.somanuals.com>