

POWER SERIES®

P462
P562
P662
P662S
P6562
P6562S
P963
P6462
P8662

**car audio multielement
owner's manual**

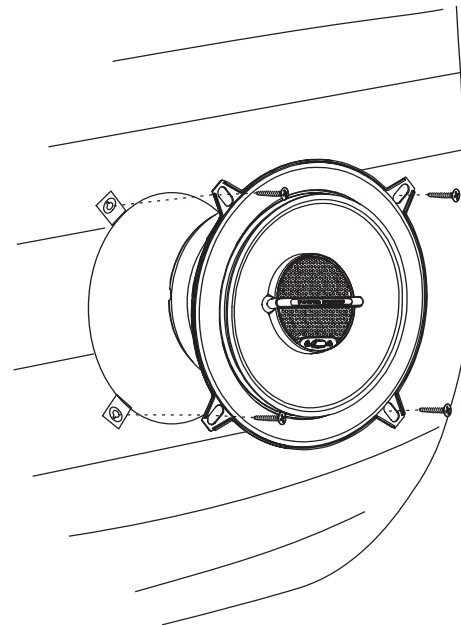
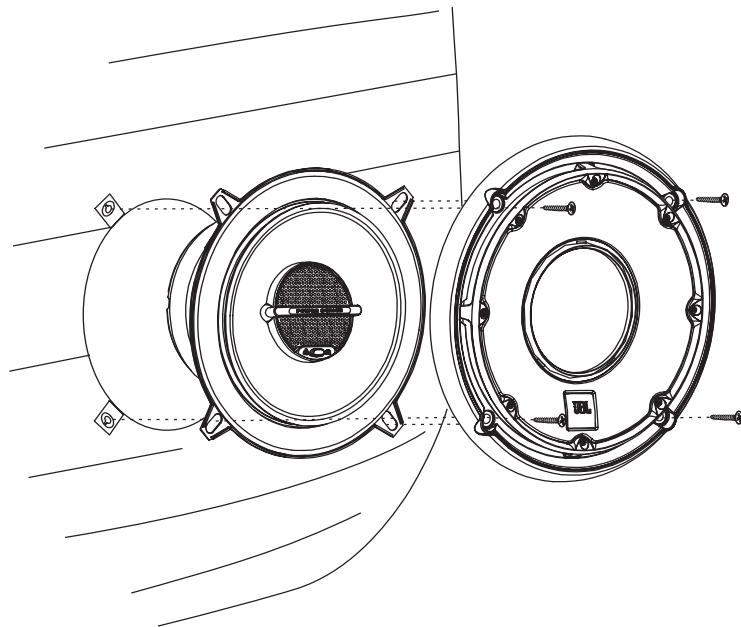
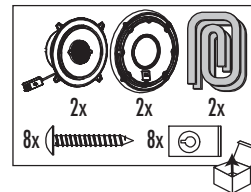


JBL

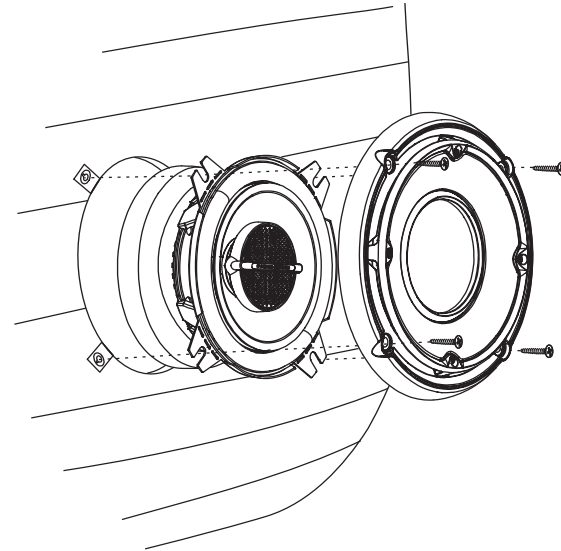
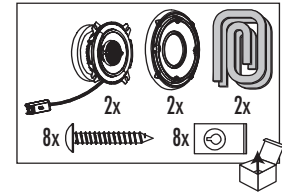
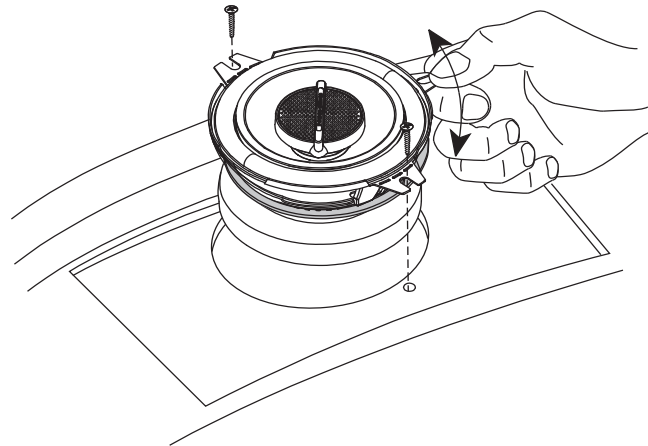
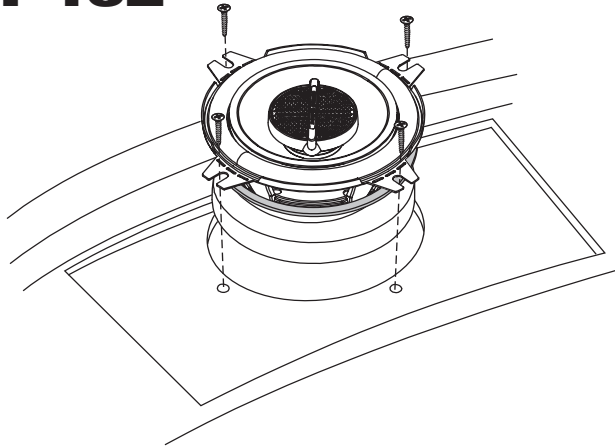
®

Designed and Engineered
in the USA

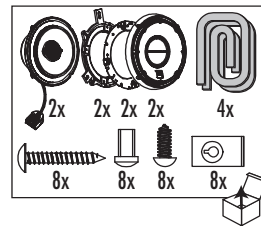
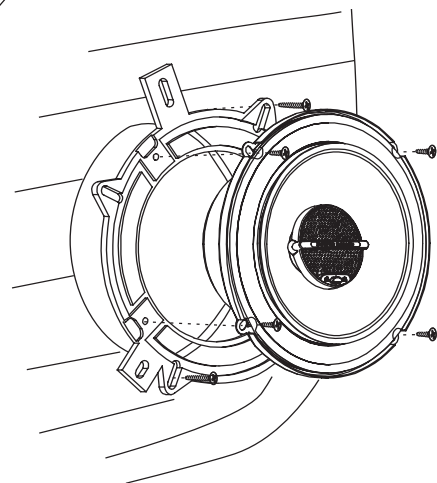
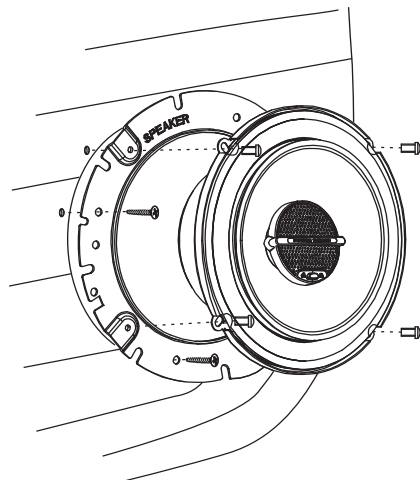
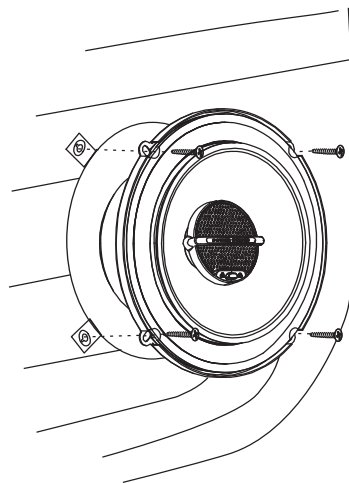
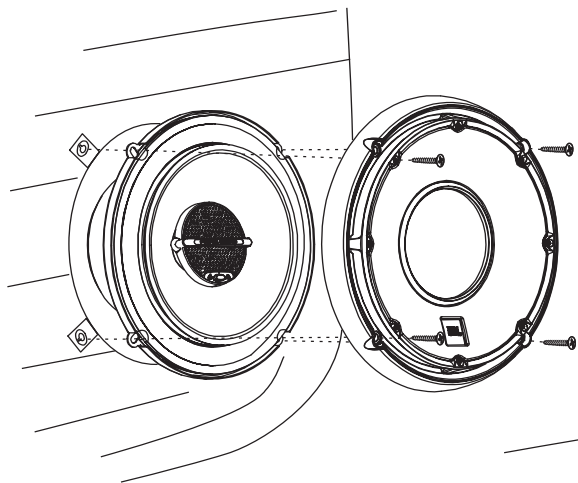
P562, P6562, P6562S, P963



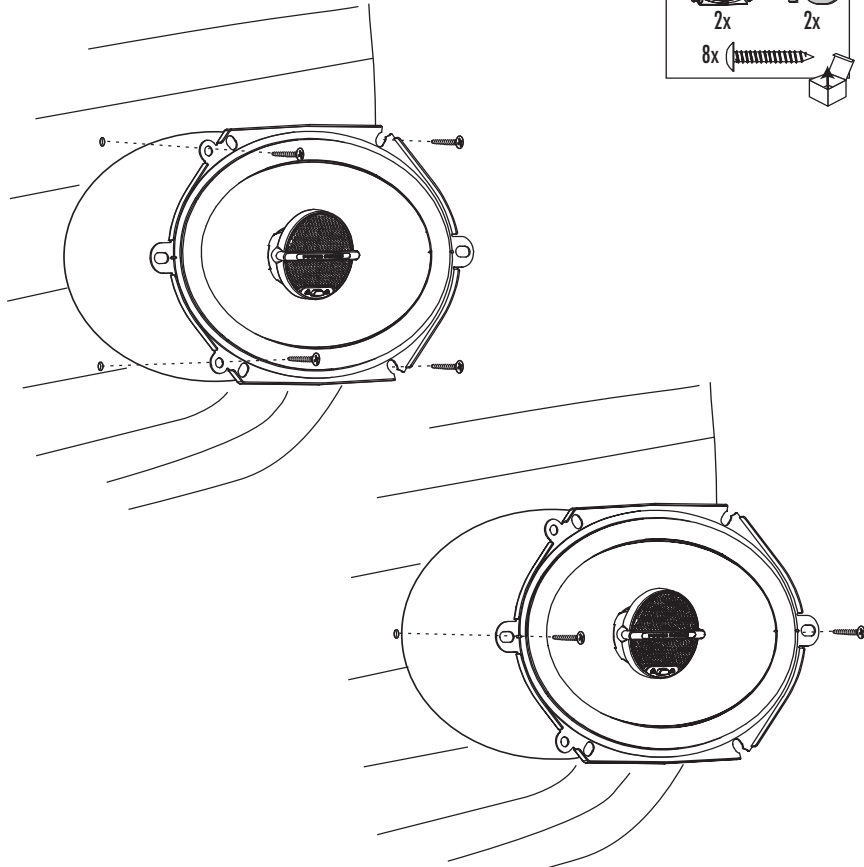
P462



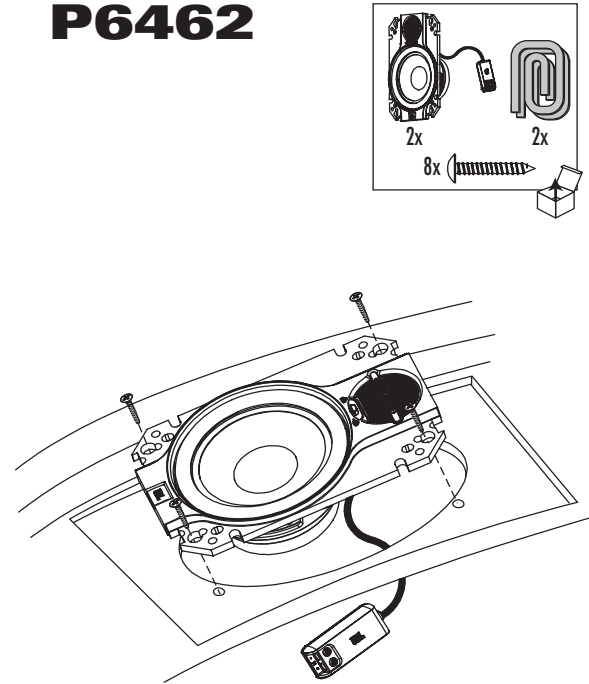
P662, P662S



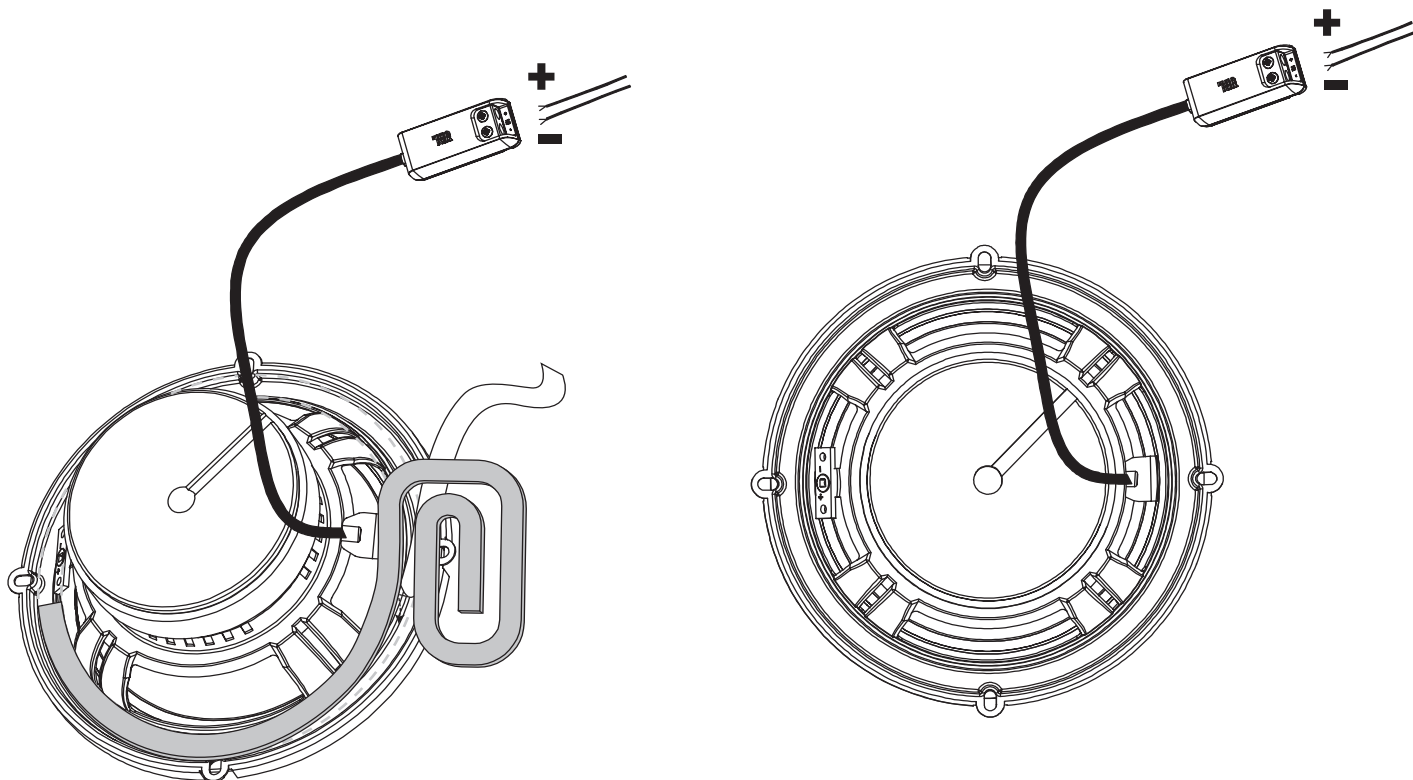
P8662



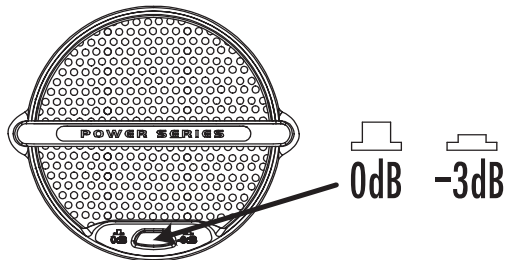
P6462



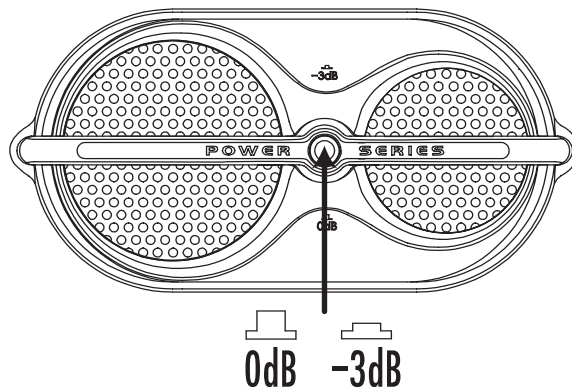
P462, P562, P662, P662S, P6562, P6562S, P963, P6462, P8662



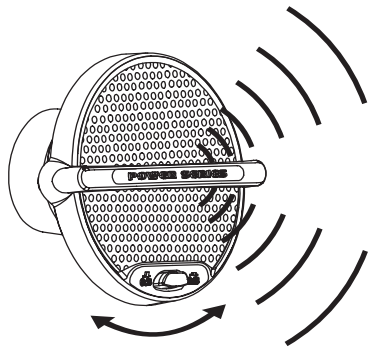
P562, P662, P662S, P6562S, P6562, P6462, P8662



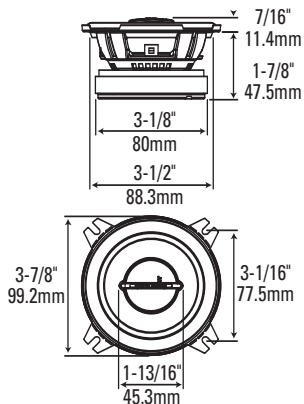
P963



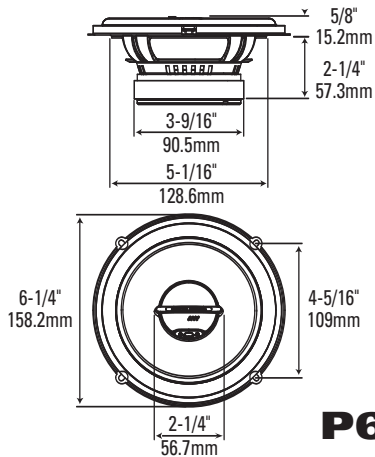
P562, P662, P6562, P8662



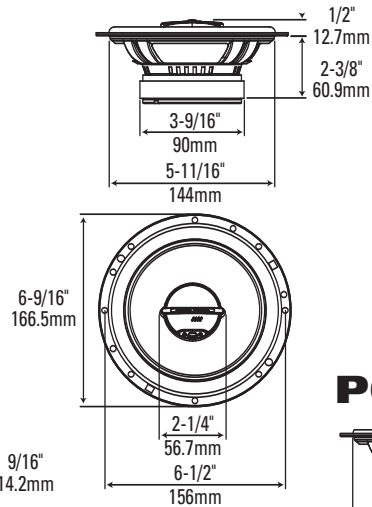
P462



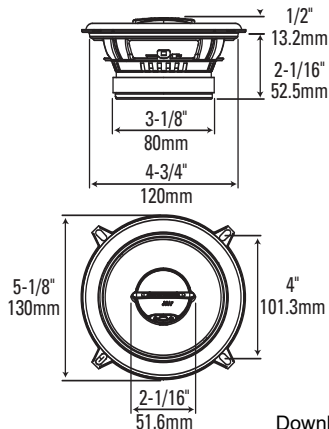
P662



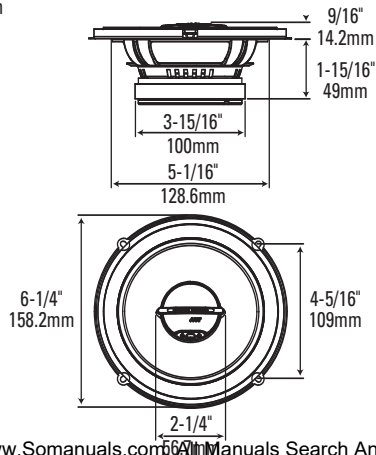
P6562



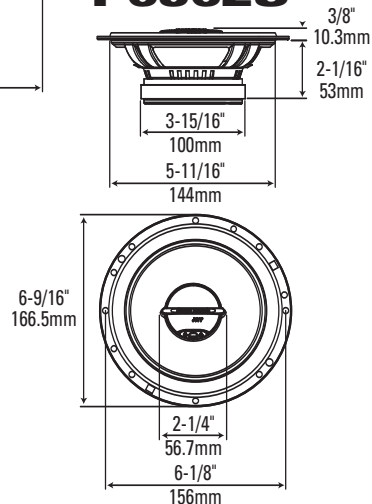
P562

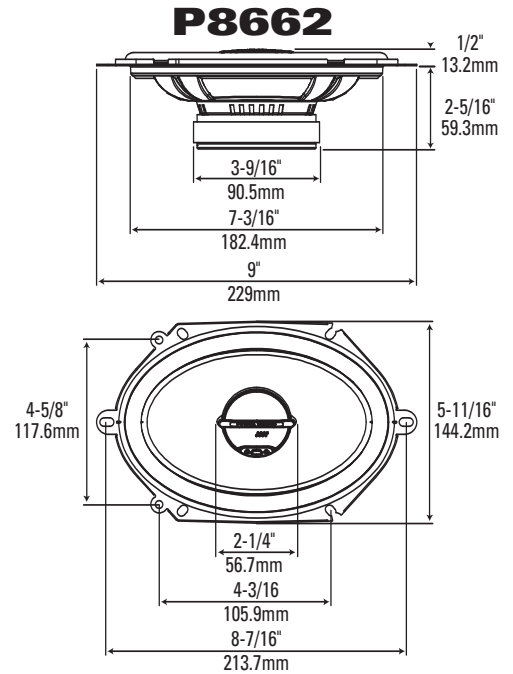
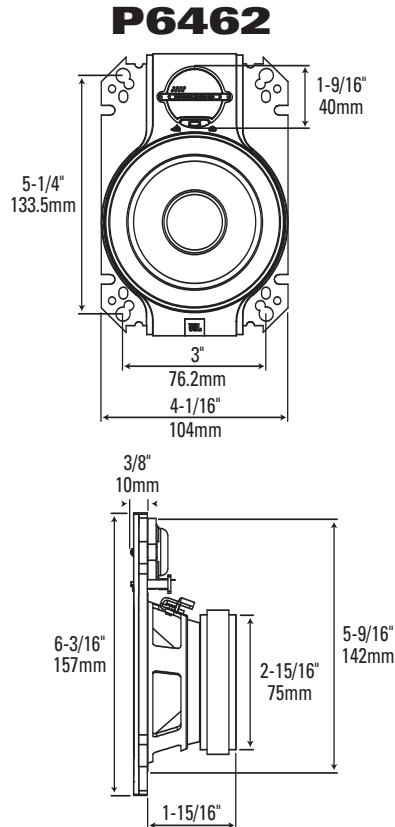
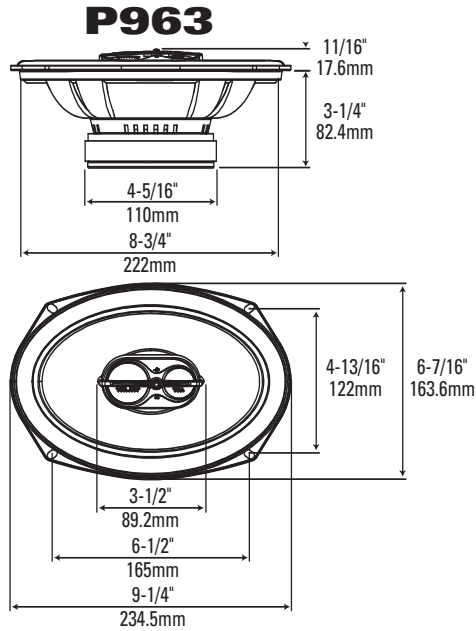


P662S



P6562S





	P462	P562	P662	P662S	P6562	P6562S	P963	P6462	P8662
BL (T-m)	2.76	3.04	3.51	3.66	3.43	3.73	5.41	3.00	3.47
DCR (ohms)	2.28	2.38	2.38	2.30	2.34	2.48	2.44	2.19	2.40
Mms (g)	4.86	8.16	11.79	10.73	12.49	11.95	21.83	5.78	15.27
Sd (sq cm)	56.8	100.3	132.7	132.7	141.0	141.0	237.5	56.8	158.1
Cms (µm/N)	300	332	301	330	282	302	422	367	238
Vas (l)	1.36	4.69	7.45	8.17	7.87	8.43	33.43	1.66	8.35
Fs (Hz)	131.8	96.7	84.5	84.6	84.8	83.8	52.4	109.3	83.5
Qes	1.20	1.28	1.21	0.98	1.32	1.12	0.60	0.97	1.60
Qms	8.21	8.12	10.58	7.86	9.47	9.12	9.70	6.46	5.95
Qt	1.05	1.10	1.09	0.87	1.16	1.00	0.56	0.84	1.26
1wSPL (dB)	86.0	87.1	87.6	89.0	87.5	88.4	91.0	85.4	86.8

SPECIFICATIONS	P462	P562	P662	P662S	P6562	P6562S	P963	P6462	P8662
Type:	4" 2-Way	5-1/4" 2-Way	6-1/2" 2-Way	6-1/2" 2-Way Shallow	165mm 2-Way	165mm 2-Way Shallow	6" x 9" 2-Way	4" x 6" 2-Way	5" x 7"/6" x 8" 2-Way
Nominal Impedance:	2 Ohms	2 Ohms	2 Ohms	2 Ohms	2 Ohms	2 Ohms	2 Ohms	2 Ohms	2 Ohms
Power Handling, RMS:	50W	55W	75W	55W	75W	55W	110W	50W	75W
Power Handling, Peak:	150W	165W	225W	165W	225W	165W	330W	150W	225W
Frequency Response:	75Hz – 23kHz	55Hz – 23kHz	45Hz – 23kHz	55Hz – 23kHz	45Hz – 23kHz	55Hz – 23kHz	35Hz – 23kHz	75Hz – 23kHz	40Hz – 23kHz
Sensitivity (2.83V, 1m):	91dB	92dB	93dB	93dB	93dB	93dB	96dB	91dB	92dB

GENERAL CARE: The loudspeaker grilles may be cleaned with a damp cloth. Do not use any cleaners or solvents on the grilles or the speaker cones.

WARRANTY: Power Series speakers are warranted against defects. The duration of the speaker's warranty depends on the laws in the country in which it was purchased. Your local JBL car audio retailer can help you determine the length of your warranty. www.jbl.com All Manuals Search and Download.

A valid serial number is required for warranty coverage.
Features, specifications and appearance are subject to change without notice.
These products are designed for mobile applications and are not intended for connection to the mains.
Harman Consumer Group, Inc. • 250 Crossways Park Drive, Woodbury, NY 11797 USA • www.jbl.com
© 2007 Harman International Industries, Incorporated. All rights reserved. Part No. POWERMEOM11/07
JBL and Power Series are trademarks of Harman International Industries, Incorporated, registered
in the United States and/or other countries.

H A Harman International Company



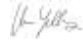
Declaration of Conformity



We, Harman Consumer Group, Inc.
2, route de Tours
72500 Château du Loir
France

declare in own responsibility that the products described in this owner's manual are in
compliance with technical standards:

EN 61000-6-3:2001
EN 61000-6-1:2001


Klaus Lebherz
Harman Consumer Group, Inc.
Château du Loir, France 11/07

JBL

www.jbl.com

Free Manuals Download Website

<http://myh66.com>

<http://usermanuals.us>

<http://www.somanuals.com>

<http://www.4manuals.cc>

<http://www.manual-lib.com>

<http://www.404manual.com>

<http://www.luxmanual.com>

<http://aubethermostatmanual.com>

Golf course search by state

<http://golfingnear.com>

Email search by domain

<http://emailbydomain.com>

Auto manuals search

<http://auto.somanuals.com>

TV manuals search

<http://tv.somanuals.com>