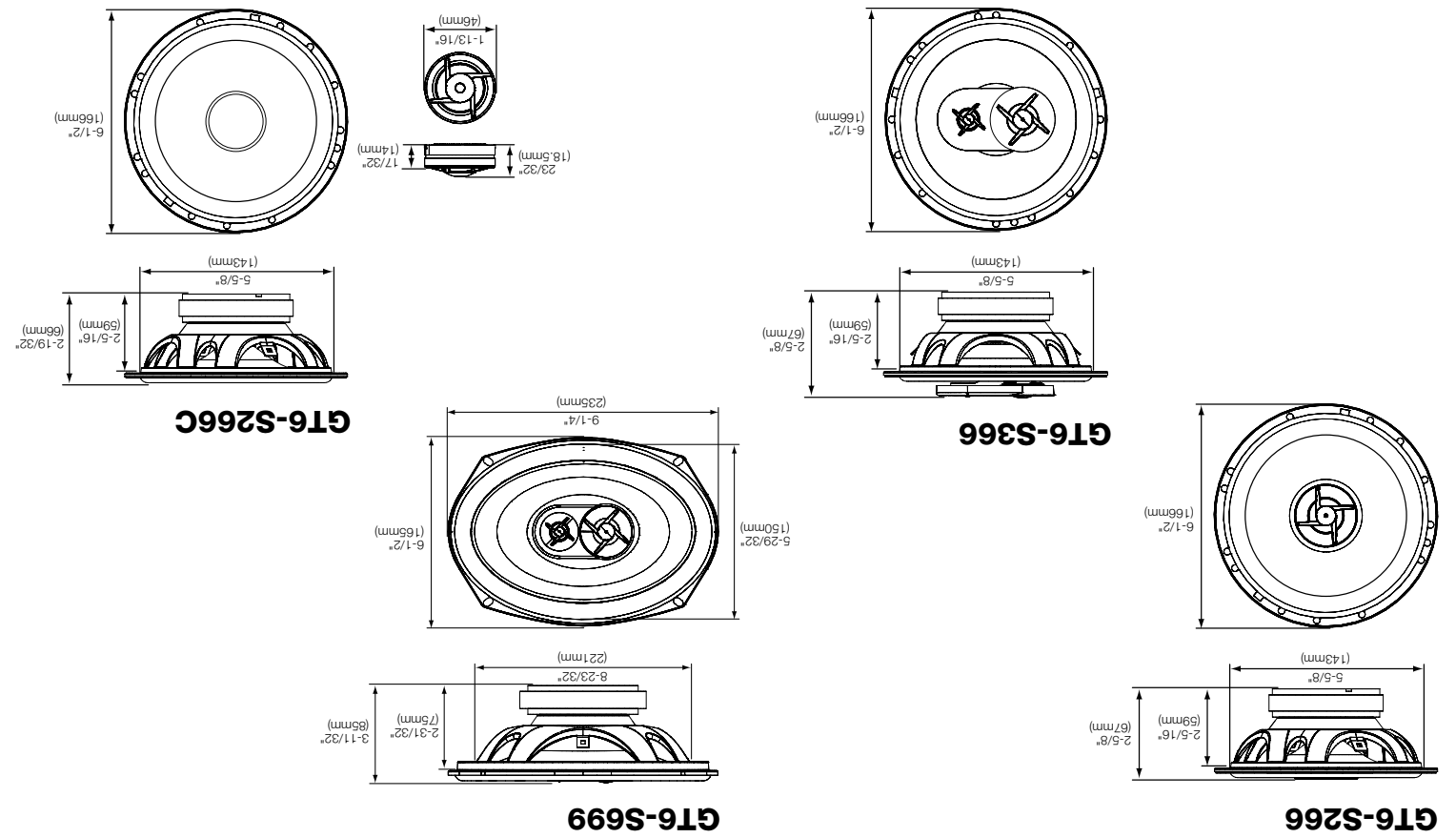


Type	GT6-S266	GT6-S366	GT6-S699	GT6-S266C
Continuous power handling	65W	65W	75W	65W
Peak power handling	220W	260W	300W	260W
Frequency response	50Hz - 20kHz	50Hz - 20kHz	40Hz - 20kHz	50Hz - 20kHz
Nominal impedance	4 ohms	4 ohms	4 ohms	4 ohms
Sensitivity (2.83V/m)	93dB	93dB	94dB	92dB

SPECIFICATIONS

BL (T.m)	GT6-S266	GT6-S366	GT6-S699	GT6-S266C
DCR (ohms)	3.09	3.13	3.09	3.09
Mms (g)	10.97	11.22	19.54	11.24
Sd (cm ²)	143.14	143.14	222.66	143.14
Cms (um/N)	359	364	399	445
Vas (l)	10.33	10.46	27.78	12.80
Fs (Hz)	80.20	78.78	57.00	71.18
Qes	1.03	1.01	0.75	1.12
Qms	5.51	5.54	5.60	4.94
Qts	0.87	0.86	0.66	0.91

THREE-SMALL PARAMETERS



JBL® GT6-S SERIES

car audio speaker



HARMAN
HARMAN Consumer, Inc.
8500 Balboa Boulevard, Northridge, CA 91329 USA

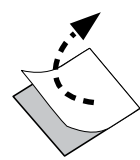
© 2010 HARMAN International Industries, Incorporated. All rights reserved.
JBL is a trademark of HARMAN International Industries, Incorporated,
registered in the United States and/or other countries.

Features, specifications and appearance are subject to change without notice.

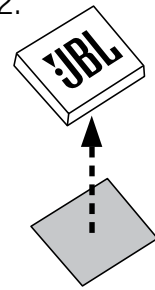
www.jbl.com



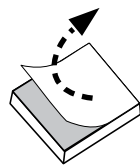
1.



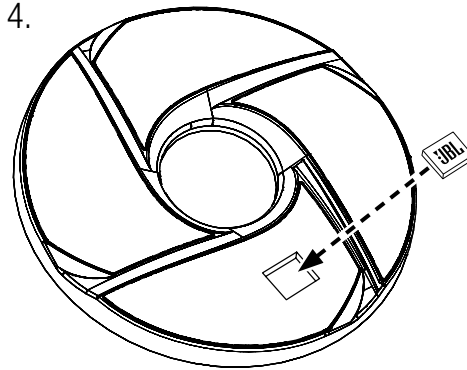
2.



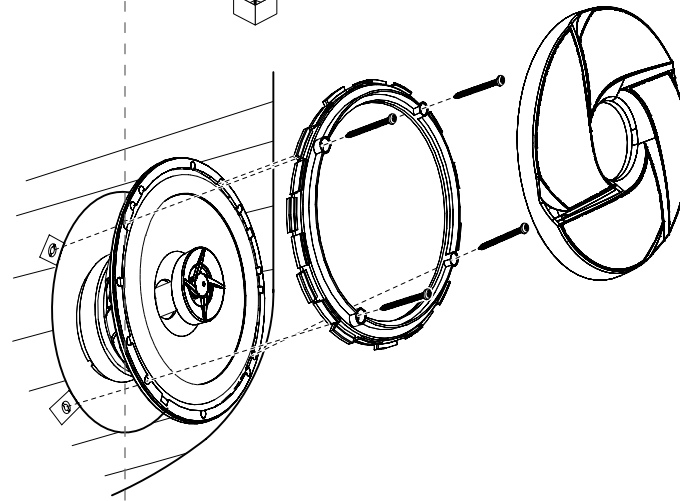
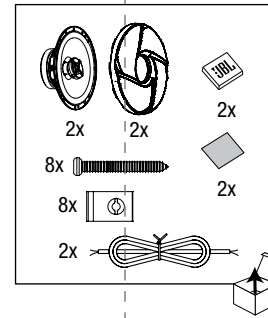
3.



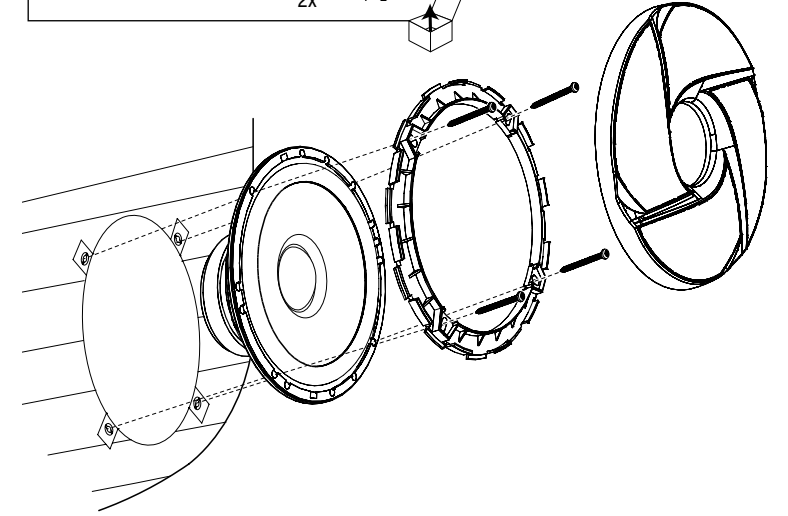
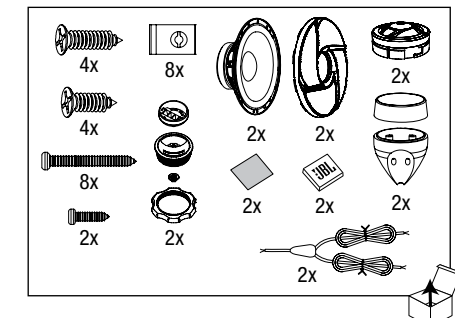
4.



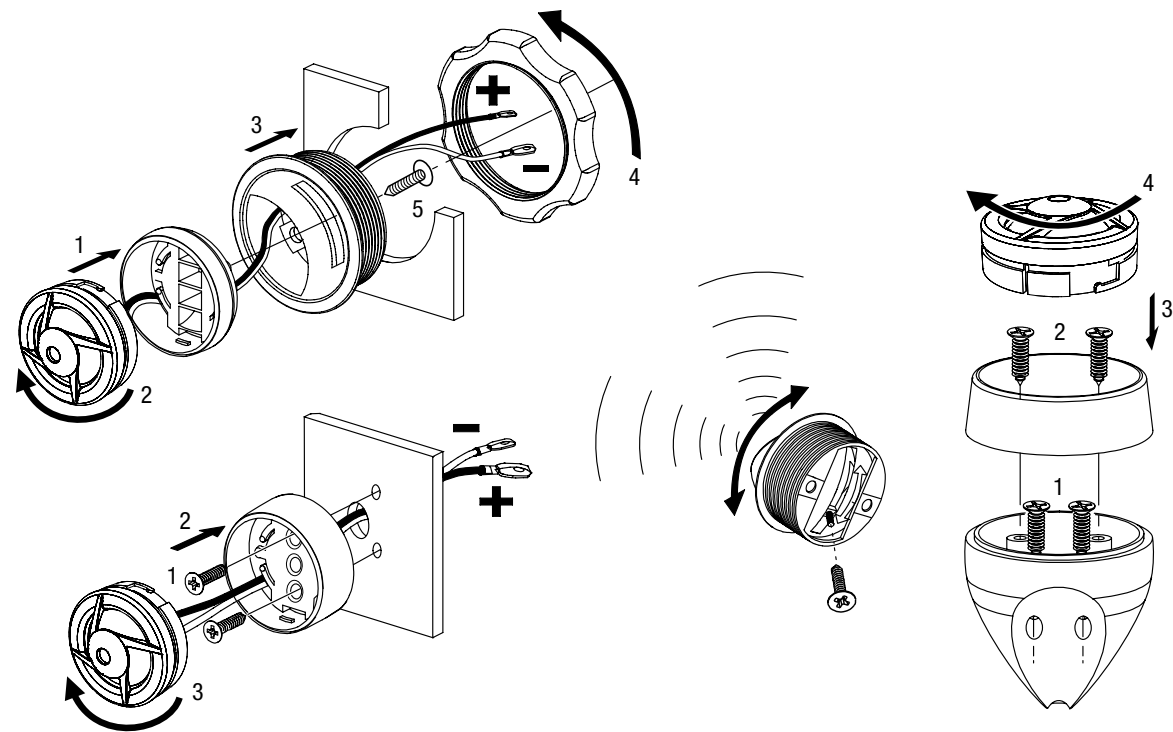
GT6-S266, GT6-S366, GT6-S699



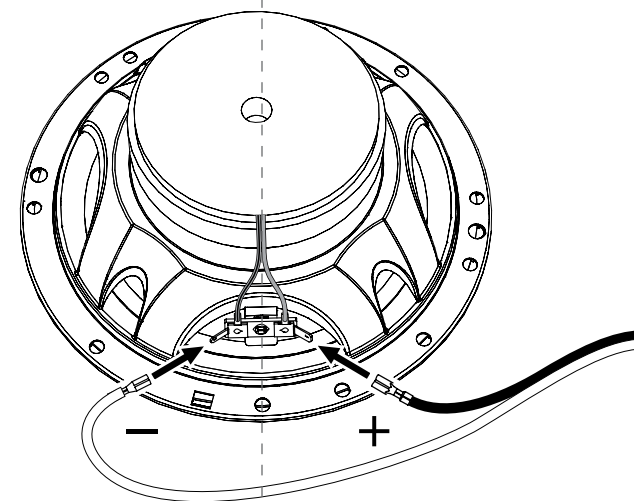
GT6-S266C WOOFER



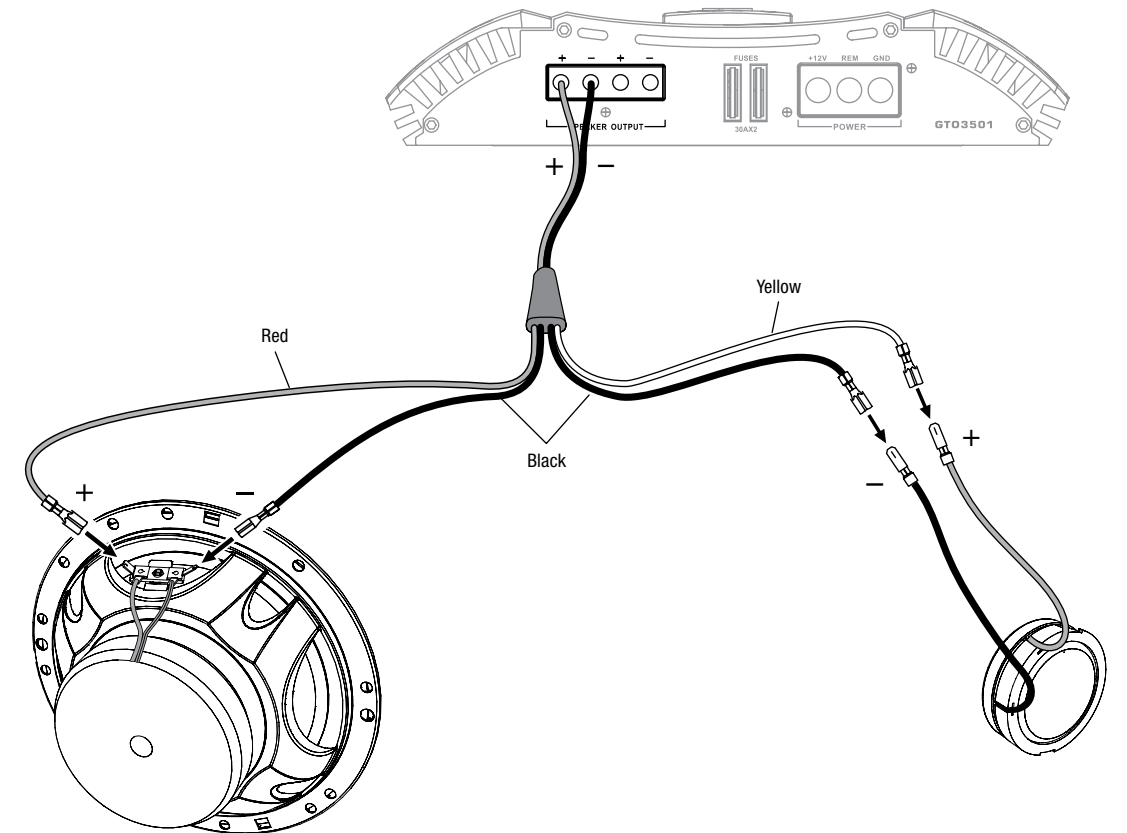
GT6-S266C TWEETER



GT6-S266, GT6-S366, GT6-S699



GT6-S266C



Free Manuals Download Website

<http://myh66.com>

<http://usermanuals.us>

<http://www.somanuals.com>

<http://www.4manuals.cc>

<http://www.manual-lib.com>

<http://www.404manual.com>

<http://www.luxmanual.com>

<http://aubethermostatmanual.com>

Golf course search by state

<http://golfingnear.com>

Email search by domain

<http://emailbydomain.com>

Auto manuals search

<http://auto.somanuals.com>

TV manuals search

<http://tv.somanuals.com>