

The JBL logo is displayed in white, bold, sans-serif capital letters on a solid orange square background.

**HP6B, HP8B,**  
**HP82B,**  
**HP88F**  
**simple**  
**set-up guide**

**thank you** for choosing JBL. For over 50 years, JBL has been involved in every aspect of musical and film recording and reproduction, from live performances to monitoring the recordings you play in your home, car, or office.

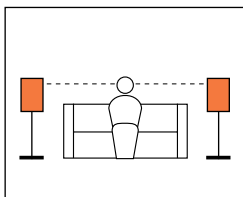
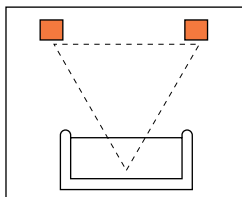
We're confident that the **JBL loudspeakers** you have chosen will provide every note of enjoyment that you expected – and that when you think about purchasing additional audio equipment for your home, car, or office, you will once again choose JBL.

Please take a moment to complete the enclosed profile card. It enables us to keep you posted on our latest advancements, and helps us to better understand our customers and build products that meet your needs and expectations.

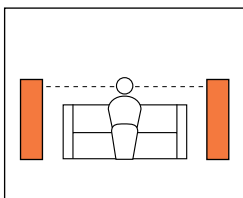
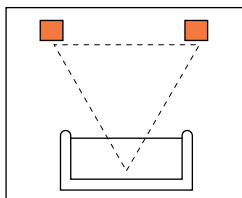
JBL Consumer Products

# one. **Speaker Placement**

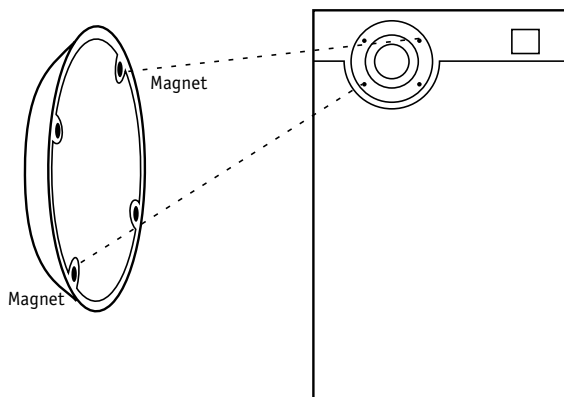
**HP6B, HP8B, HP82B**



**HP88F**

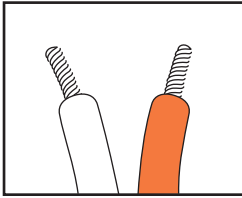


## **Tweeter Grille Installation (optional)**

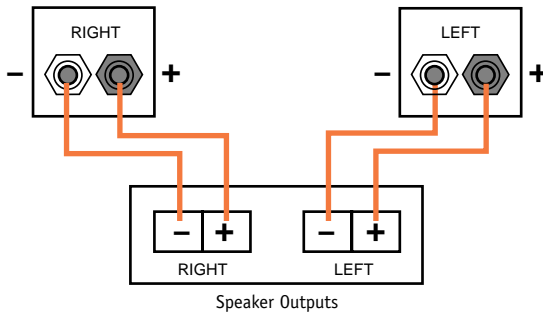


# two. Speaker Connections

## Connection Tips



Speakers and electronics terminals have corresponding (+) and (-) terminals. It is important to connect both speakers identically: (+) on the speaker to (+) on the amplifier and (-) on the speaker to (-) on the amplifier. Wiring “out of phase” results in thin sound, weak bass and a poor stereo image.



## Troubleshooting

**If there is no sound from any of the speakers, check the following:**

- Receiver/amplifier is on and a source is playing.
- Review proper operation of your receiver/amplifier.

**If there is no sound coming from one speaker, check the following:**

- Check the “Balance” control on your receiver/amplifier.
- Check all wires and connections between receiver/amplifier and speakers.
- Make sure all wires are connected. Make sure none of the speaker wires are frayed, cut, or punctured.

**If the system plays at low volumes but shuts off as volume is increased, check the following:**

- Check all wires and connections between receiver/amplifier and speakers.
- Make sure all wires are connected. Make sure none of the speaker wires are frayed, cut, or punctured.
- If more than one pair of main speakers is being used, check the minimum impedance requirements of your receiver/amplifier.

**If there is low bass output, check the following:**

- Make sure the polarity (+ and -) of the left and right “Speaker Inputs” are connected properly.

# Specifications

	SYSTEM <b>HP6B</b>	<b>HP82B</b>
<b>Frequency Response (-6dB):</b>	57Hz – 22kHz	48Hz – 22kHz
<b>Recommended Maximum Power Handling*:</b>	100 watts	150 watts
<b>Sensitivity @ 1 watt/1 meter:</b>	89dB	90dB
<b>Normal Impedance:</b>	8 ohms	8 ohms
<b>Crossover Frequency:</b>	2800Hz	3000Hz
<b>Woofers:</b>	6-1/2" cast frame	8" cast frame
<b>Midrange:</b>	N/A	N/A
<b>Tweeter:</b>	1" pure titanium	1" pure titanium
<b>Finish:</b>	black ash woodgrain vinyl	black ash woodgrain vinyl
<b>Dimensions (HxWxD):</b>	16-1/2 x 9-1/4 x 8-1/8 inches 419 x 235 x 206mm	19-7/8 x 11-1/2 x 9-1/8 inches 501 x 292 x 232mm
<b>Weight (each):</b>	15 lbs/6.8 kg	21-1/4 lbs/9.6 kg

	SYSTEM <b>HP8B</b>	<b>HP88F</b>
<b>Frequency Response (-6dB):</b>	46Hz – 22kHz	40Hz – 22kHz
<b>Recommended Maximum Power Handling*:</b>	200 watts	250 watts
<b>Sensitivity @ 1 watt/1 meter:</b>	91dB	93dB
<b>Normal Impedance:</b>	8 ohms	8 ohms
<b>Crossover Frequency:</b>	850Hz, 3000Hz	850Hz, 3000Hz
<b>Woofers:</b>	8" cast frame	2 x 8" cast frame
<b>Midrange:</b>	5" cast frame	5" cast frame
<b>Tweeter:</b>	1" pure titanium	1" pure titanium
<b>Finish:</b>	black ash woodgrain vinyl	black ash woodgrain vinyl
<b>Dimensions (HxWxD):</b>	23-1/8 x 11-1/2 x 10 inches 584 x 292 x 254mm	35-1/4 x 11-1/2 x 12-1/2 inches 870 x 292 x 318mm
<b>Weight (each):</b>	27 lbs/12.25 kg	47 lbs/21.3 kg

Occasional refinements may be made to existing products without notice, but will always meet or exceed original specifications unless otherwise stated.

\*The maximum recommended amplifier power rating will ensure proper system headroom to allow for occasional peaks. We do not recommend sustained operation at these maximum power levels.

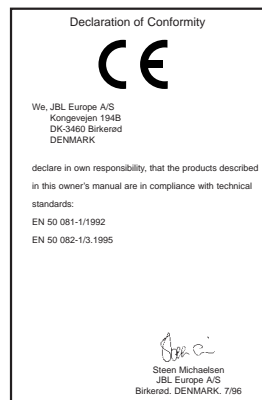


JBL Consumer Products  
80 Crossways Park West, Woodbury, NY 11797  
8500 Balboa Boulevard, Northridge, CA 91329  
1-800-336-4JBL (4525) (USA only)

© 1996 JBL, Incorporated. JBL is a registered trademark of JBL, Incorporated.

Printed in USA 7/96 Part No. 330990-001

A Harman International Company



## Free Manuals Download Website

<http://myh66.com>

<http://usermanuals.us>

<http://www.somanuals.com>

<http://www.4manuals.cc>

<http://www.manual-lib.com>

<http://www.404manual.com>

<http://www.luxmanual.com>

<http://aubethermostatmanual.com>

Golf course search by state

<http://golfingnear.com>

Email search by domain

<http://emailbydomain.com>

Auto manuals search

<http://auto.somanuals.com>

TV manuals search

<http://tv.somanuals.com>