

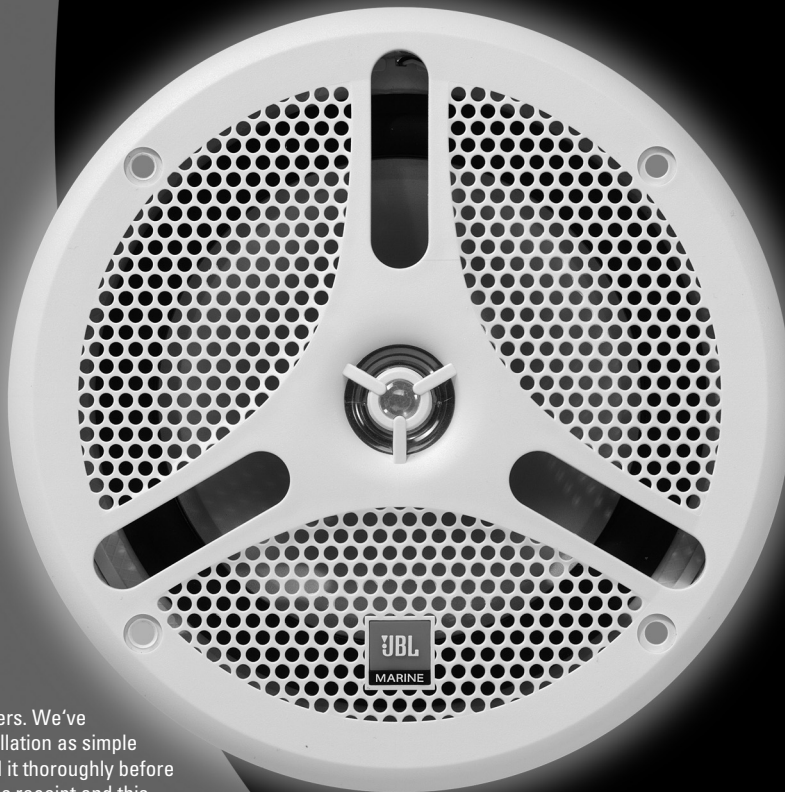
MARINE SERIES

MS6100
MS6200
MS9200

marine speaker
owner's manual

THANK YOU

for purchasing JBL Marine Series speakers. We've organized this manual to make your installation as simple and trouble-free as possible. Please read it thoroughly before proceeding. Remember to keep your sales receipt and this manual in a safe place so both are available for future reference.



JBL

THE OFFICIAL BRAND
OF LIVE MUSIC.

ENGLISH

INSTALLATION WARNINGS AND TIPS

ABOUT THESE INSTRUCTIONS:

Installation of marine audio components can require extensive experience with a variety of mechanical and electrical procedures. Although these instructions explain how to install JBL marine speakers in a general sense, they do not show the exact installation methods for your particular application. If you do not feel you have the experience, do not attempt the installation yourself. Ask your authorized JBL marine audio dealer about professional installation options.

LOUD MUSIC AND HEARING:

Playing loud music in a marine environment can permanently damage your hearing, as well as hinder your ability to hear marine traffic. The maximum volume levels achievable with JBL speakers, combined with high-power amplification, may exceed safe levels for extended listening. JBL accepts no liability for hearing loss, bodily injury or property damage as a result of use or misuse of this product.

GENERAL CARE:

The loudspeaker grilles may be cleaned with a damp cloth. Do not use any cleaners or solvents on the grilles or the speaker cones.

ABOUT POWER HANDLING:

JBL marine speakers will produce reasonable volume levels with little amplifier power. Moreover, adding an amplifier to drive your speakers and a subwoofer will enhance your system's dynamic range and help overcome ambient noise.

Although JBL marine speakers are designed to handle the power of a dedicated amplifier driven at or below its rated power, make sure the amplifier is not driven far above its rated power. Doing so will "clip" the output signal and can damage any speaker. Distorted or "fuzzy" sound from your speakers is an indication that the amplifier has exceeded its rated power, and you should reduce the volume level.

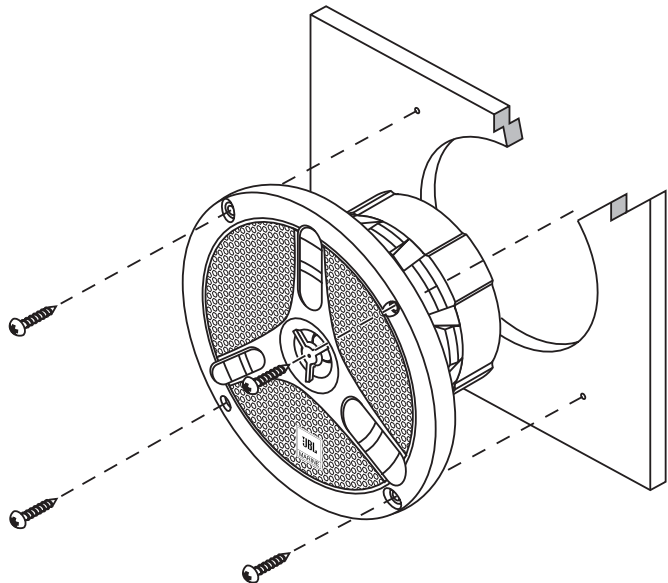
INSTALLATION TIPS:

- Always wear protective eyewear when using any tools.
- Turn off all audio components and other electrical devices before you start. Disconnect the negative (–) lead from your battery.
- Keep speakers in their package until final installation. When moving a speaker, always rest it with the cone or dome facing up. Never use force to install any speaker.
- Check clearances on both sides of a planned mounting surface before drilling any holes or installing any screws. Remember that the screws can extend behind the surface.
- At the installation sites, locate and make a note of all fuel lines and electrical wiring. Use extreme caution when cutting or drilling in and around these areas.
- Before drilling or cutting holes, use a utility knife to remove unwanted fabric or vinyl to keep material from snagging in a drill bit or saw.
- The stainless-steel hardware provided with your JBL marine speakers has been chosen to resist rust and corrosion.



INSTALLATION

Figure 1. Mounting the JBL MS6200 marine speaker. The JBL MS9200 and MS6100 marine speakers (not shown) mount in a similar way.



SPECIFICATIONS

	MS6100	MS6200	MS9200
	6-1/2" Dual-Cone Marine Loudspeaker	6-1/2" 2-Way Marine Loudspeaker	6" x 9" 2-Way Marine Loudspeaker
Power Handling, RMS	35W	60W	100W
Power Handling, Peak	105W	180W	300W
Sensitivity (2.83V/1m)	91dB	91dB	91dB
Frequency Response	50Hz – 18kHz	50Hz – 20kHz	37Hz – 20kHz
Impedance	4 Ohms	4 Ohms	4 Ohms
Mounting Depth	70mm (2-3/4")	70mm (2-3/4")	85mm (3-5/16")
Cutout Diameter	129mm (5-1/16")	129mm (5-1/16")	153mm x 224mm (6" x 8-13/16")
Overall Diameter	183mm (7-3/16")	183mm (7-3/16")	196mm x 275mm (7-11/16" x 10-13/16")

A valid serial number is required for warranty coverage.

Specifications and appearance are subject to change without notice.

JBL Consumer Products
250 Crossways Park Drive, Woodbury, NY 11797 USA
516.255.4JBL (USA only)
Europe: 2, Route de Tours, 72500 Château du Loir, France
www.jbl.com

© 2006 Harman International Industries, Incorporated

JBL and Harman International are trademarks of
Harman International Industries, Incorporated, registered in the
United States and/or other countries.

Part No. MS6100/6200/9200M3/06

H A Harman International Company

Declaration of Conformity



We, Harman Consumer Group International
2, route de Tours
72500 Chateau-du-Loir
France

declare in own responsibility that the products described in this owner's
manual are in compliance with technical standards:

EN 61000-6-3:2001
EN 61000-6-1:2001

Klaus Lebherz
Harman Consumer Group International
Chateau-du-Loir, France 3/06

www.jbl.com

Free Manuals Download Website

<http://myh66.com>

<http://usermanuals.us>

<http://www.somanuals.com>

<http://www.4manuals.cc>

<http://www.manual-lib.com>

<http://www.404manual.com>

<http://www.luxmanual.com>

<http://aubethermostatmanual.com>

Golf course search by state

<http://golfingnear.com>

Email search by domain

<http://emailbydomain.com>

Auto manuals search

<http://auto.somanuals.com>

TV manuals search

<http://tv.somanuals.com>