

## Key Features

- ▶ THX certified dipolar ambient loudspeaker.
- ▶ (2) 0.75" titanium compression drivers.
- ▶ (2) Bi-radial horns - 100 degrees vertical, 60 degrees horizontal.
- ▶ (2) 5" Poron-fiber-cone, cast-frame woofers.
- ▶ Vertical orientation.
- ▶ Easily placed inside columns, on walls or ceilings.
- ▶ Wrap-around 3 piece grille.

## Description

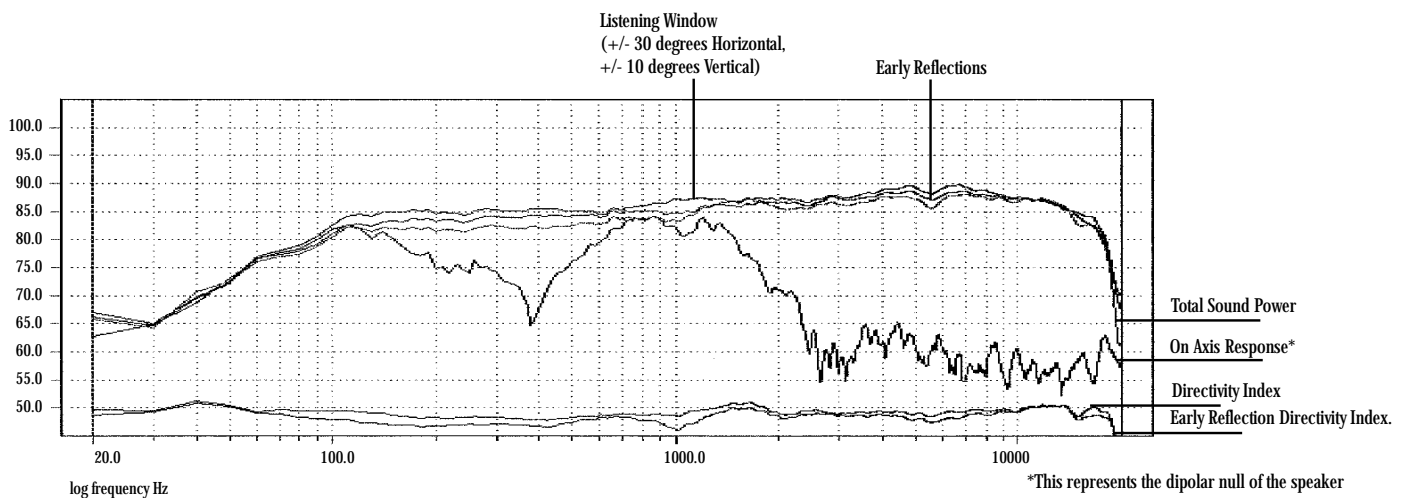
- ▶ Synthesis 2 and 3 ambient loudspeaker.

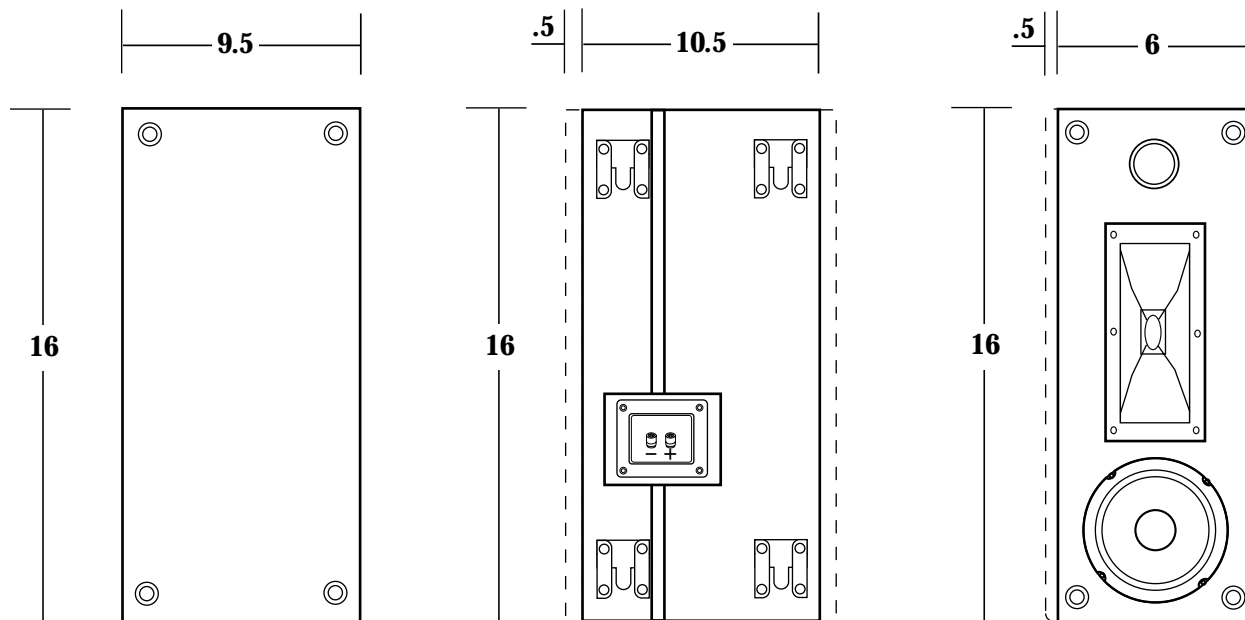
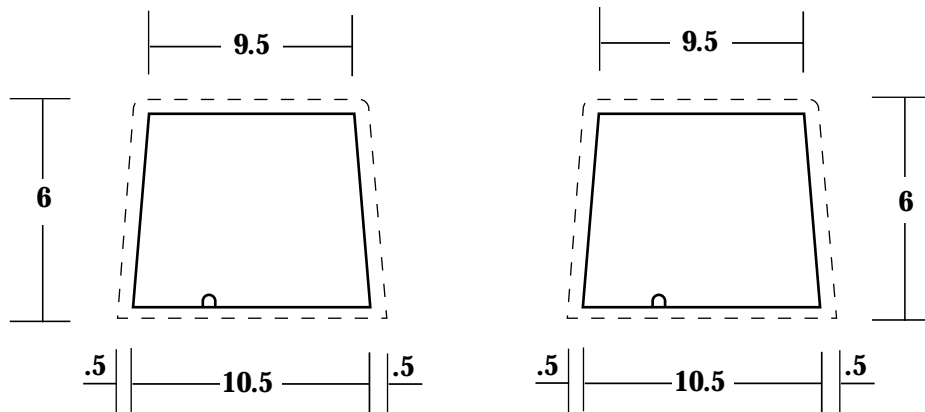
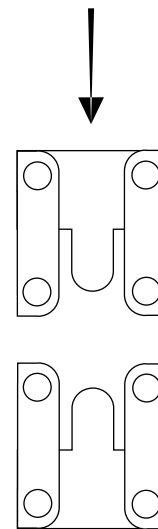


## Specifications

Frequency Response	100 Hz - 17 kHz
Sensitivity	87 dB (1 watt @ 1 meter)
Recommended Maximum Amplifier Power	150 Watts
Nominal Impedance	6 Ohms
High Frequency Transducer	.75 Titanium Compression Driver
Crossover Frequency	3000 Hz
Low Frequency Transducer	5" Polymer Laminate
Weight	32 lbs. /14.5 kg.
Dimensions (H x W x D)	16" x 11.56" x 6.53" 406mm x 294mm x 166mm

## Frequency Response



**Front****Back****Side****Top****Footprint****Two Piece  
Mounting Bracket**

All measurements in inches

**H** A Harman International CompanyJBL SIS Products Group: Tel 818-830-8757 Fax 818-891-6894  
8500 Balboa Boulevard, Northridge, CA 91329  
250 Crossways Park Drive, Woodbury, NY 11797

## Free Manuals Download Website

<http://myh66.com>

<http://usermanuals.us>

<http://www.somanuals.com>

<http://www.4manuals.cc>

<http://www.manual-lib.com>

<http://www.404manual.com>

<http://www.luxmanual.com>

<http://aubethermostatmanual.com>

Golf course search by state

<http://golfingnear.com>

Email search by domain

<http://emailbydomain.com>

Auto manuals search

<http://auto.somanuals.com>

TV manuals search

<http://tv.somanuals.com>