

Vertical Array Bracket Assembly / Installation Guide

The JBL model MTC-23V is a vertical arraying bracket for holding up to three Control 23 loudspeakers. Installation is typical of the three vertical brackets models available. The loudspeaker's top and bottom tapers allow three speakers to array in a vertical arc pattern for a wide coverage in the vertical plane. Aiming angles can be adjusted via the speaker's Invisiball™ adjustment system for flexibility in meeting coverage requirements.

Caution: this bracket should be installed by a qualified technician only.

Use the diagrams on the following pages to properly install this wall mounting and ceiling suspended bracket and loudspeakers. The following items are included in MTC-23V kit:

- | | |
|-----------|------------------------|
| 1. 1 pc. | Mounting Bracket |
| 2. 6 pcs. | Screws (1/4-20 x 3/4") |
| 3. 6 pcs. | Flat washer (1/4") |
| 4. 6 pcs. | Lock nut (1/4-20) |

Step 1.

Install the three Invisiballs onto the bracket (see figures 5 and 6) using the included screws (item #2), washers (item #3) and lock nuts (item #4). **Be sure that all screws and lock nuts are tightened for a permanent installation.**

Step 2.

Secure the bracket assembly to the mounting surface.

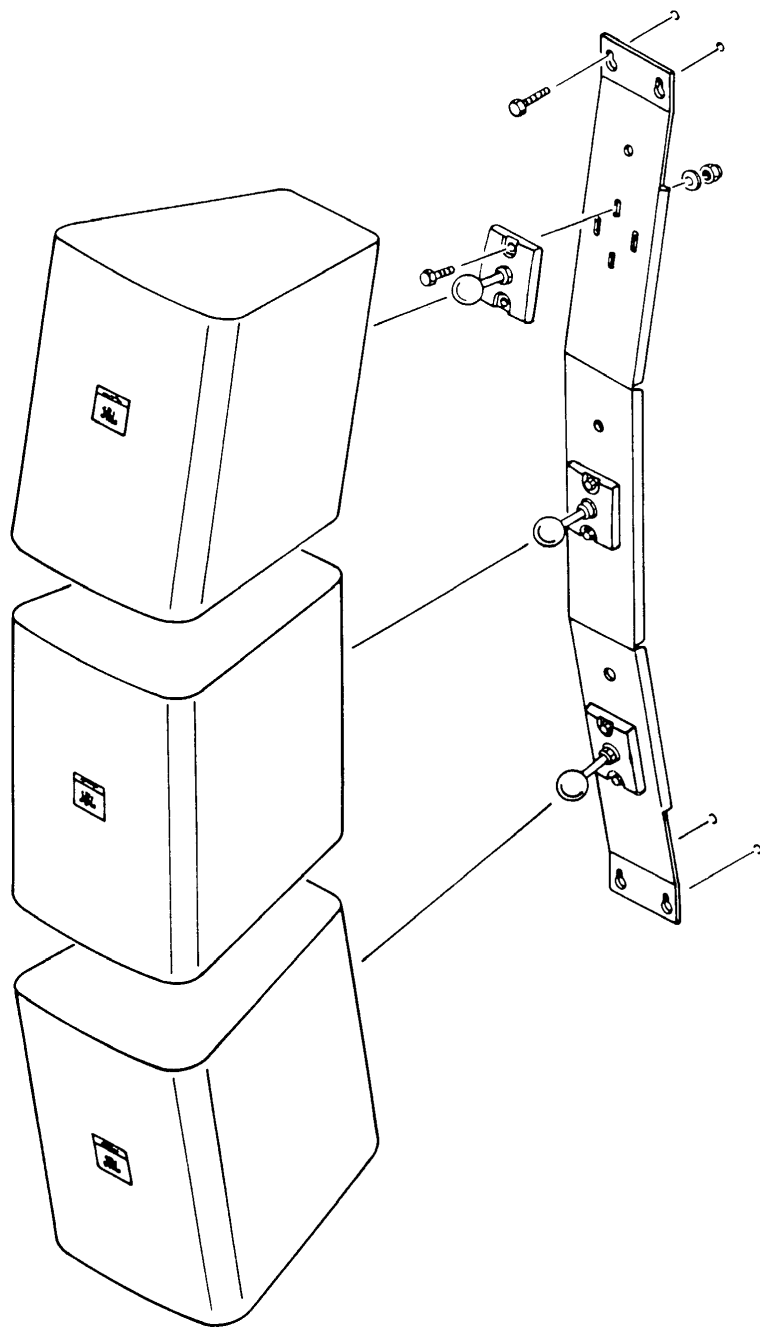
Caution: Always be sure the mounting surface and the method of attaching the bracket to the mounting surface is structurally capable of supporting the weight of the speakers and the brackets with a 10:1 safety ratio. If you have any doubts of the capability, do not install this bracket.

Step 3.

Follow the instructions included with your Control 23 loudspeakers for mounting the loudspeakers onto the Invisiball™ mounting bases and for adjusting the aiming angles.

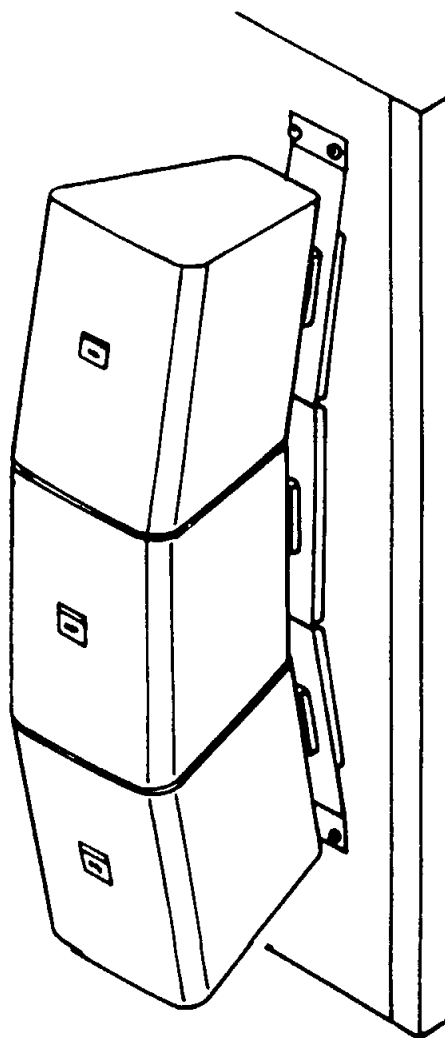
MTC-23V Installation Guide

Figure 5

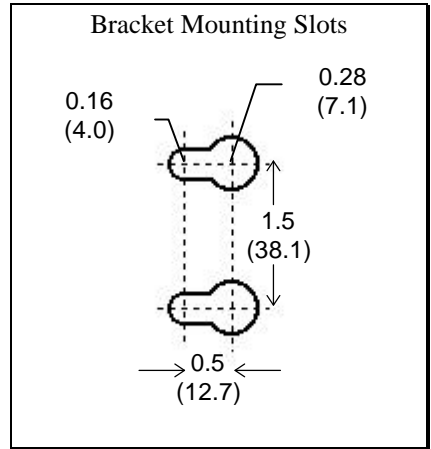
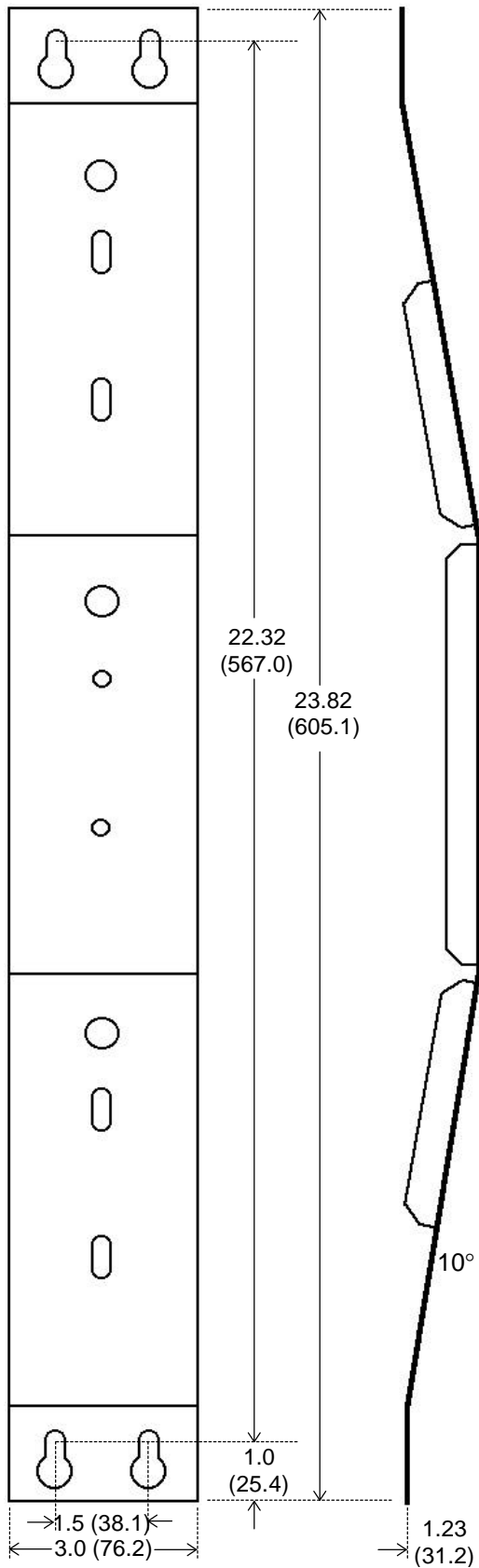


Important: Place washer over screw in back of the bracket, then place the lock nut over the screw and tighten.

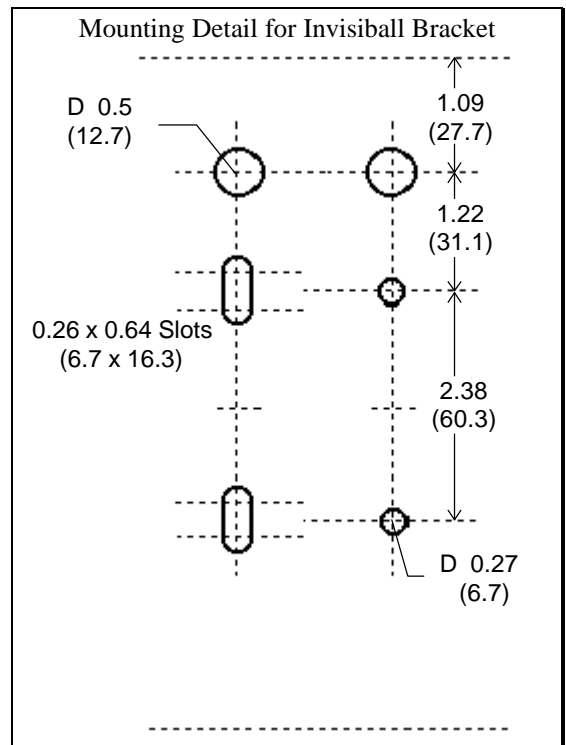
Figure 6



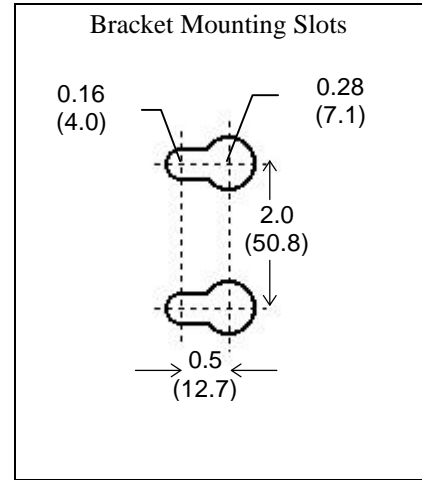
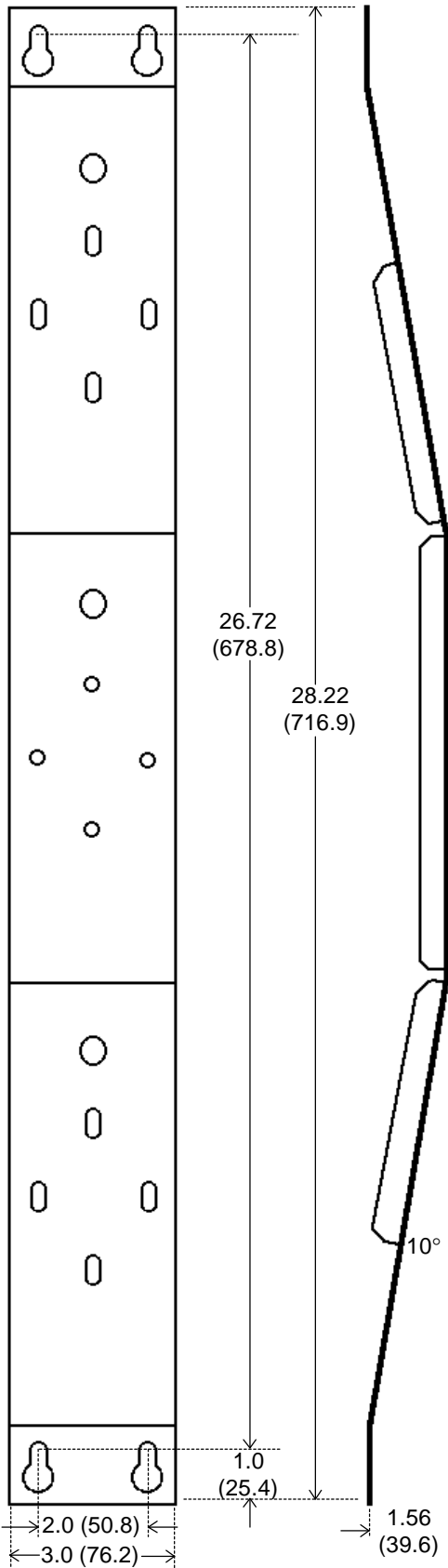
MTC-23V Control Contractor Vertical Mounting Bracket For Control 23 Speakers



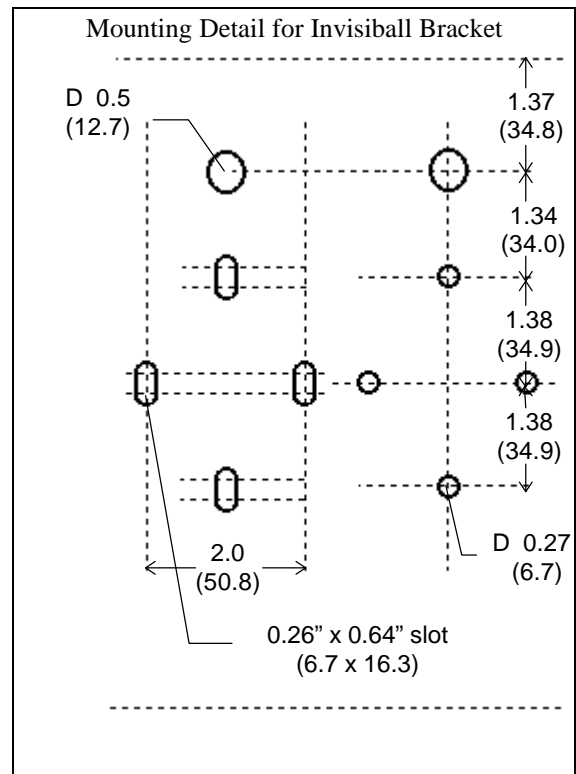
Dimensions Shown in
Inches (mm)



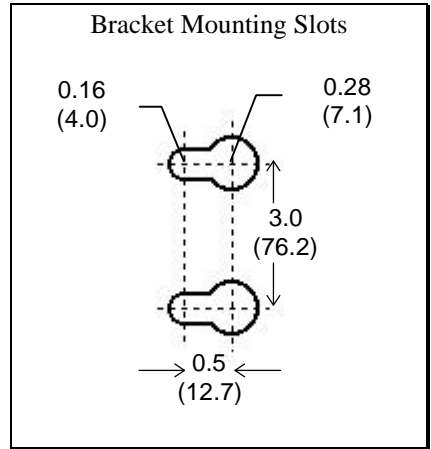
MTC-25V Control Contractor Vertical Mounting Bracket For Control 25 Speakers



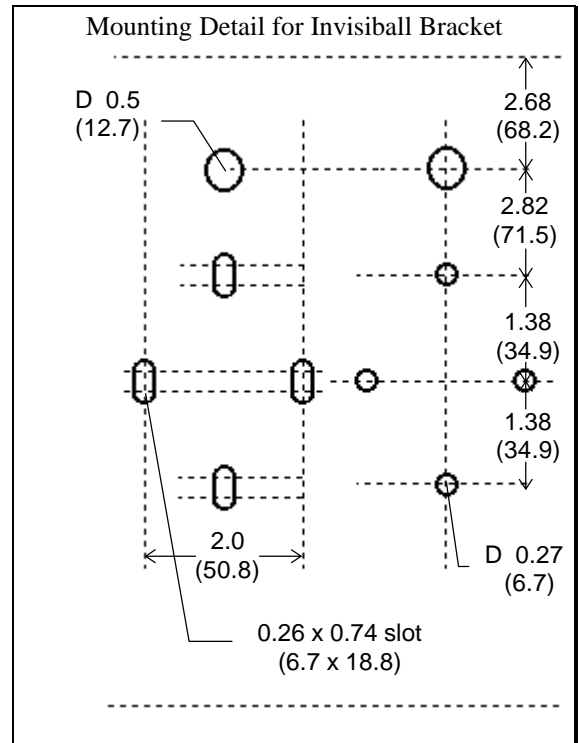
Dimensions Shown in
Inches (mm)



MTC-28V Control Contractor Vertical Mounting Bracket For Control 28 Speakers



Dimensions Shown in
Inches (mm)



Free Manuals Download Website

<http://myh66.com>

<http://usermanuals.us>

<http://www.somanuals.com>

<http://www.4manuals.cc>

<http://www.manual-lib.com>

<http://www.404manual.com>

<http://www.luxmanual.com>

<http://aubethermostatmanual.com>

Golf course search by state

<http://golfingnear.com>

Email search by domain

<http://emailbydomain.com>

Auto manuals search

<http://auto.somanuals.com>

TV manuals search

<http://tv.somanuals.com>