



Secondary Backcans for JBL Control Contractor Series Ceiling Speakers

For use with:

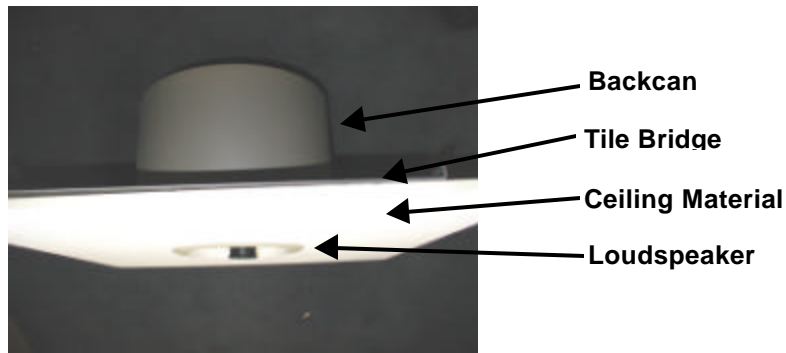
- Control 24C/CT Micro
- Control 24C/CT
- Control 26C/CT

While U.S. National Electric Code no longer requires conduit and pre-piping of backcans for 70V distributed speaker lines, there are regions where this may still be required for a particular job either by law or by tradition. In addition to requirements in some regions, a pre-installed backcan can be useful in helping to reserve ceiling space so that other items do not get placed where the speaker is intended to go. To that end, Elkay Industries (*not associated with JBL*) is making available secondary backcans allowing contractors to pre-pipe installations where JBL Control Contractor ceiling speakers will be installed.

The ELKAY BAF-754-2106 Backcan Enclosure and BAF-754-6 and BAF-754-8 Tile Bridge work together as an assembly for both hard and suspended ceilings. The tile bridge is required in both cases (even when it's not a suspended ceiling).

The backcan attaches to the tilebridge with included hardware. There are 4 multi-size knockouts on the backcan. Specific method of installation may differ by location. Once the assemblies are in place, with conduit and wiring, any required inspection can be accomplished before the speakers are installed.

The last step is to simply install the JBL Control Contractor Ceiling Loudspeaker. The loudspeaker installs through the ceiling tile and the tile bridge and fastens using the Rotating Mounting Tabs as usual.



JBL Loudspeaker	Enclosure	Tile Bridge (req'd)
Control 24C/CT Micro	BAF-754-2106 +	BAF-754-6
Control 24C/CT	BAF-754-2106 +	BAF-754-6
Control 26C/CT	BAF-754-2106 +	BAF-754-8

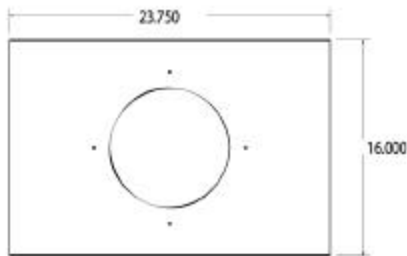
To order, Contact Elkay Industries at:
 2925 North Market Street
 St. Louis, MO 63106
 314-535-1333
 1-800-875-8249

Note: Elkay is an independent vendor who may impose their own dealer requirements, including purchase requirements and/or lead times.

Specifications:

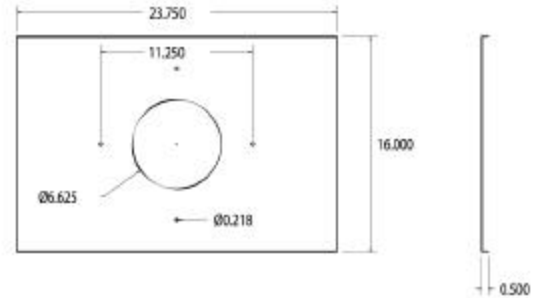
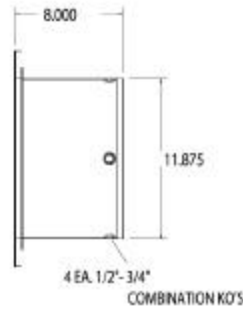
KNOCKOUTS	Four multi-size 1/2 in and 3/4 in knockouts provided on sides of backcan at 90° angles (see diagram)
CONNECTION	Backcan and Tile Bridge attach together via four (4) 8-32 THMS screws and J-Nut, provided.
DIMENSIONS:	Backcan is 8 inches deep x 11-7/8 inches diameter Tile bridge is 23-3/4 inches x 16 inches
WEIGHT:	Assembly (backcan plus req'd tile bridge) weighs 10.2 lbs.

Dimensions:



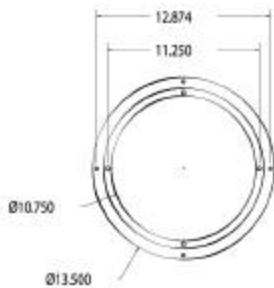
BAF-754-6 TILE BRIDGE HAS 6.625" CUTOUT
BAF-754-8 TILE BRIDGE HAS 8.875" CUTOUT
BAF-754-2106 ENCLOSURE

BAF 754-8 TILE BRIDGE AND BAF 754-2106 ENCLOSURE ASSEMBLED



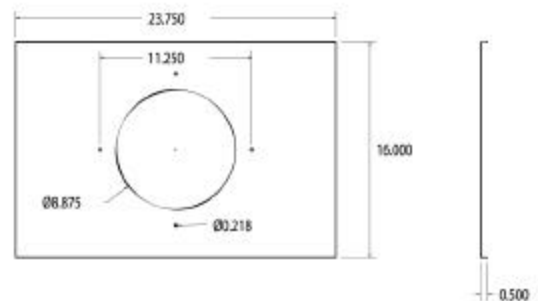
TILE BRIDGE FROM 16 GA. GALV.
TILE BRIDGE SUPPLIED WITH 4 EA. 8-32 X 3/8" THMS

BAF 754-6 TILE BRIDGE FOR C24C/CT & C24C/CT MICRO



ENCLOSURE FROM 22 GA CRS (PRIMER)
ENCLOSURE PROVIDED WITH 4 EA. 8-32 J NUTS
KNOCK OUTS SHOWN 1/2" AND 3/4" COMBINATION

BAF 754-2106 BACKCAN ENCLOSURE



TILE BRIDGE FROM 16 GA. GALV.
TILE BRIDGE SUPPLIED WITH 4 EA. 8-32 X 3/8" THMS

BAF 754-8 TILE BRIDGE FOR C26C/CT

Free Manuals Download Website

<http://myh66.com>

<http://usermanuals.us>

<http://www.somanuals.com>

<http://www.4manuals.cc>

<http://www.manual-lib.com>

<http://www.404manual.com>

<http://www.luxmanual.com>

<http://aubethermostatmanual.com>

Golf course search by state

<http://golfingnear.com>

Email search by domain

<http://emailbydomain.com>

Auto manuals search

<http://auto.somanuals.com>

TV manuals search

<http://tv.somanuals.com>