

Technical Manual

JBL SR4715X

SPECIFICATIONS



ACOUSTIC & ELECTRICAL SPECIFICATIONS:

- Nominal Impedance: 4 ohm
- Power Capacity: 1200W Continuous Pink Noise
- Frequency Range: 40 Hz – 1.1 kHz (-10 dB)
- Sensitivity: 100 dB SPL, 1 Watt @ 1 Meter
- Crossover Frequency: N/A

SYSTEM COMPONENTS:

- Cabinet: SR4715X (Not For Sale)
- Grille: 128-00424-00
- Low Frequency Transducer: 380mm (15 in.) Paper Cone Transducer (2226HPL)(2)
- DC Resistance: 5.0 ohm ±10% Aluminum Wire
- Crossover Network: 129-10041-00

AURAL SWEEP TEST SPECIFICATIONS:

- A. System Aural Sweep Test: 7.0V Input, 20 Hz to 2 kHz
- B. L.F. Aural Sweep Test: 10.0V Input, 20 Hz to 1.2 kHz

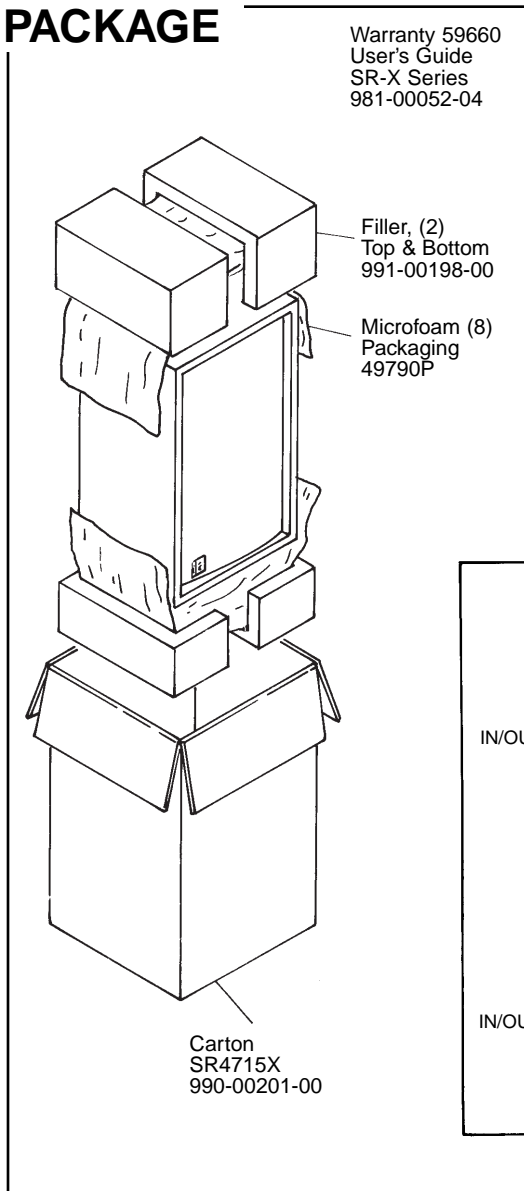
PHYSICAL SPECIFICATIONS:

- Enclosure Dimensions: 1092mm x 635mm x 460mm D (43.0 x 25.0 x 18.1 in. D)
- Shipping Weight: 160 lbs. (72.6 kg.)

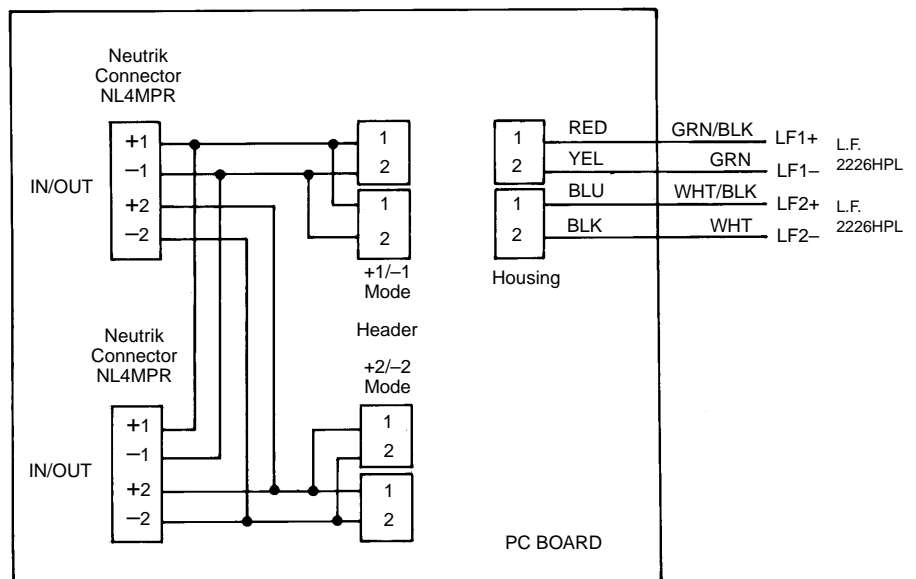
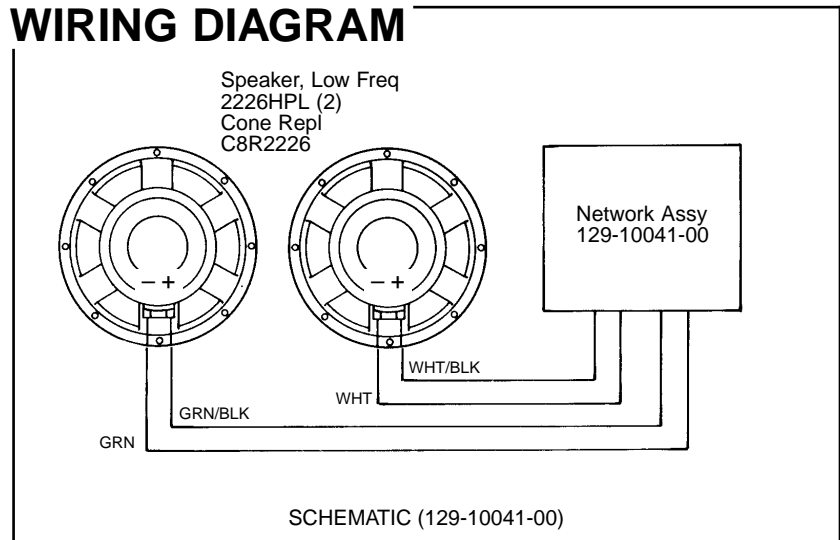
WARRANTY INFORMATION:

- Refer to Warranty Statement packed with each product.

PACKAGE



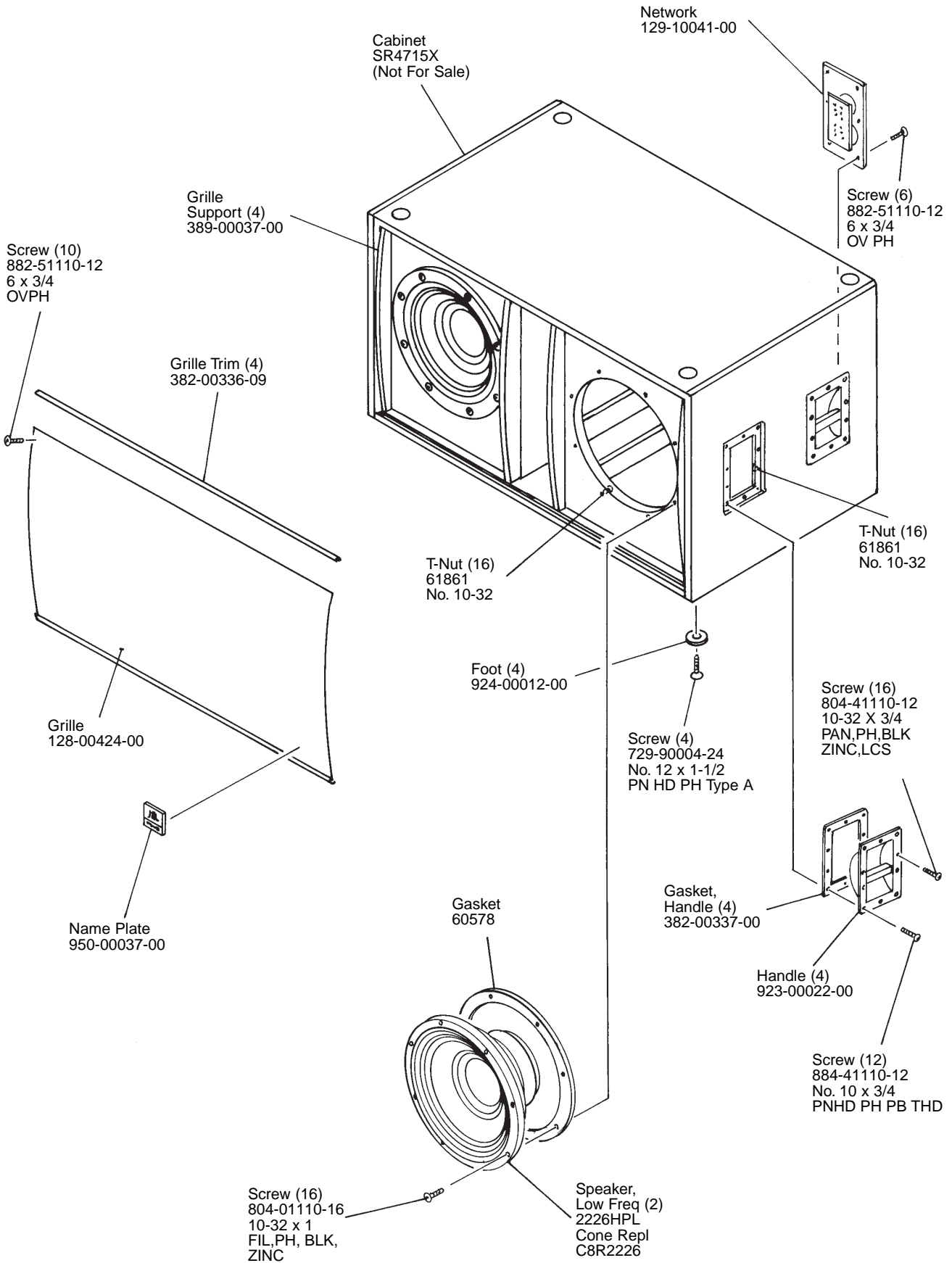
WIRING DIAGRAM



JBL SR4715X REV J

JBL SR4715X

COMPONENT EXPLODED VIEW



JBL SR4715X

Free Manuals Download Website

<http://myh66.com>

<http://usermanuals.us>

<http://www.somanuals.com>

<http://www.4manuals.cc>

<http://www.manual-lib.com>

<http://www.404manual.com>

<http://www.luxmanual.com>

<http://aubethermostatmanual.com>

Golf course search by state

<http://golfingnear.com>

Email search by domain

<http://emailbydomain.com>

Auto manuals search

<http://auto.somanuals.com>

TV manuals search

<http://tv.somanuals.com>