

# Technical Manual



# JBL SR4733X

PROFESSIONAL

## SPECIFICATIONS

### ACOUSTIC & ELECTRICAL SPECIFICATIONS:

- Nominal Impedance: 4 ohms
- Power Capacity: 1200W Continuous Pink Noise
- Frequency Range: 35 Hz – 18 kHz (-10dB)
- Sensitivity: 100 dB SPL, 1 Watt @ 1 Meter
- Crossover Frequency: 1.2 kHz

### SYSTEM COMPONENTS:

- Cabinet: SR4733X (Not For Sale)
- Grille: 128-00396-00
- Low Frequency Transducer: 380mm (15 in.) Paper Cone Transducer (2226 HPL) (2)
- DC Resistance: 5.0 ohm ±10% Aluminum Wire
- High Frequency Transducer: 50.8mm (2 in.Exit) Pure Titanium Compression Driver (2447J)
- DC Resistance: 8.0 ohm ±8% Aluminum Wire

### SYSTEM COMPONENTS: (Cont'd)

- Crossover Network: 129-20051-01

### AURAL SWEEP TEST SPECIFICATIONS:

- A. System Aural Sweep Test: 7.0V Input, 20 Hz to 20 kHz
- B. L.F. Aural Sweep Test: 15.0V Input, 20 Hz to 1.2 kHz
- C. H.F. Aural Sweep Test: 2.0V Input, 550 kHz to 20 kHz

### PHYSICAL SPECIFICATIONS:

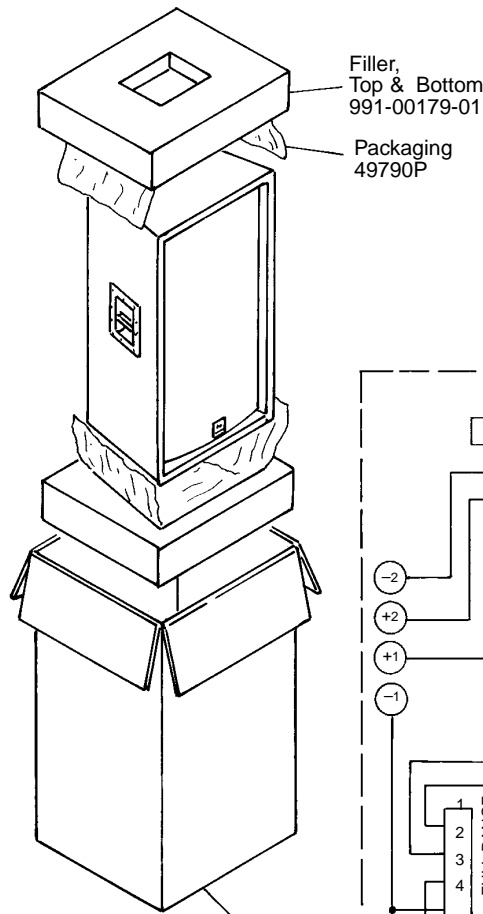
- Enclosure Dimensions: 1200mm x 635mm x 460mm D (47.2 x 25.0 x 18.0 in. D)
- Shipping Weight: 146 lbs. (66.2 kg.)

### WARRANTY INFORMATION:

- Refer to Warranty Statement packed with each product.

## PACKAGE

Warranty 59660  
User's Guide  
SR-X Series  
981-00052-04

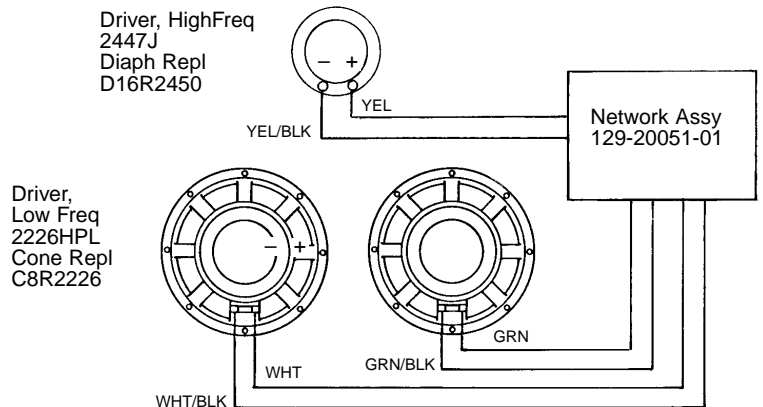


Filler,  
Top & Bottom  
991-00179-01

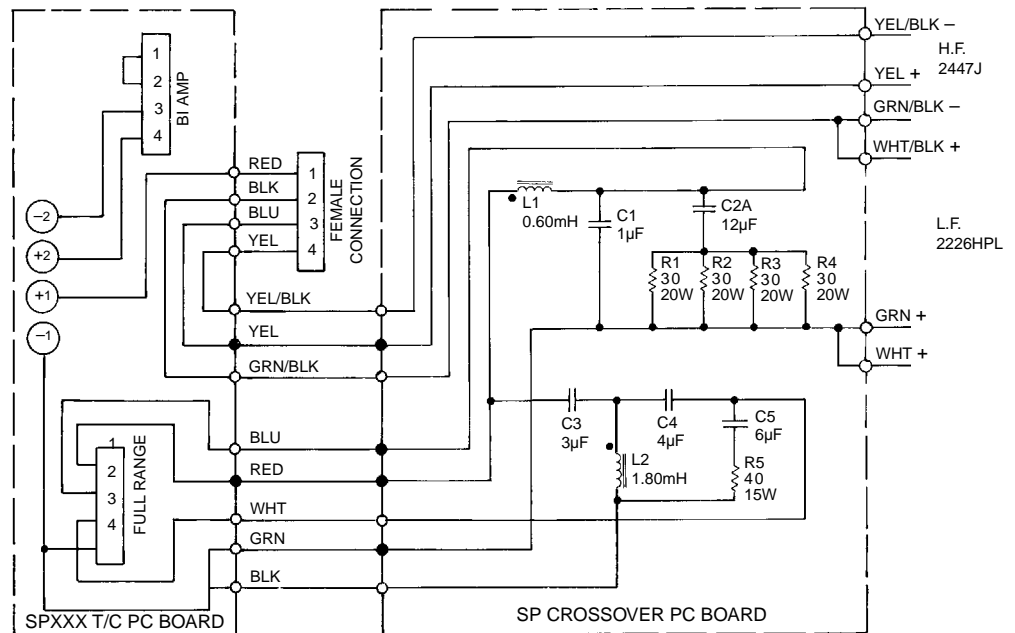
Packaging  
49790P

Carton  
SR4733X  
990-00173-01

## WIRING DIAGRAM



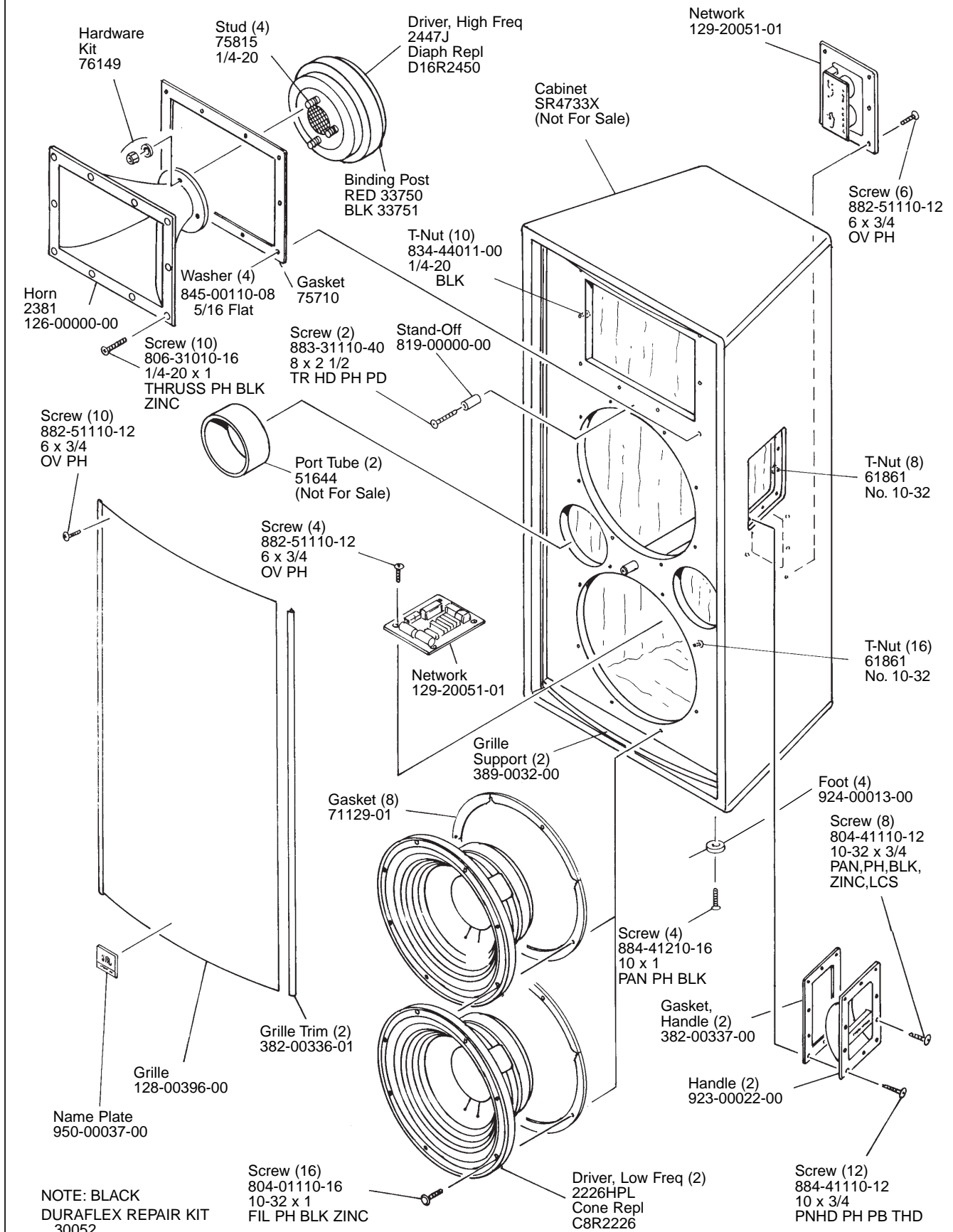
SCHEMATIC (129-20051-01)



JBL 4733X REV T

# JBL SR4733X

## COMPONENT EXPLODED VIEW



NOTE: BLACK DURAFLEX REPAIR KIT 30052

JBL 4733X

## Free Manuals Download Website

<http://myh66.com>

<http://usermanuals.us>

<http://www.somanuals.com>

<http://www.4manuals.cc>

<http://www.manual-lib.com>

<http://www.404manual.com>

<http://www.luxmanual.com>

<http://aubethermostatmanual.com>

Golf course search by state

<http://golfingnear.com>

Email search by domain

<http://emailbydomain.com>

Auto manuals search

<http://auto.somanuals.com>

TV manuals search

<http://tv.somanuals.com>