



MTC-SB2C Installation Instructions

The JBL MTC-SB2C is a bracket for suspending the JBL Control SB2 Subwoofer. The bracket acts as an enclosed shelf upon which the SB2 sits. The SB2 is to be secured to the bracket and the bracket suspended securely from above.

Warning: This bracket is not intended to be used ANY other way.

The bracket and Subwoofer **MUST** be installed oriented as shown in Diagram 2.

Step 1: Remove the six (6) screws on the front of the load-baffle of the Control SB-2. Set the Control SB2 into the bracket frame and secure the Control SB2 to the bracket by reinstalling the six (6) removed load-baffle screws through the holes in the front of the bracket (see Diagram 1).

Step 2: Suspend the bracket by using all four (4) attachment ears via a load-rated suspension method, such as aircraft cable, load-rated chain or threaded rod.

IT IS THE RESPONSIBILITY OF THE INSTALLER TO DETERMINE THE STRENGTH OF THE BUILDING STRUCTURE AND TO ENSURE THE SAFETY OF THE BRACKET SUSPENSION FROM THE BUILDING STRUCTURE!

Step 3: Apply a secondary safety strap between a secondary building structure point and the subwoofer/bracket assembly as a backup support. The safety strap and all attachments must be capable of holding the product, keeping it from falling in case of catastrophic failure of the primary bracket mounting to the building structure.

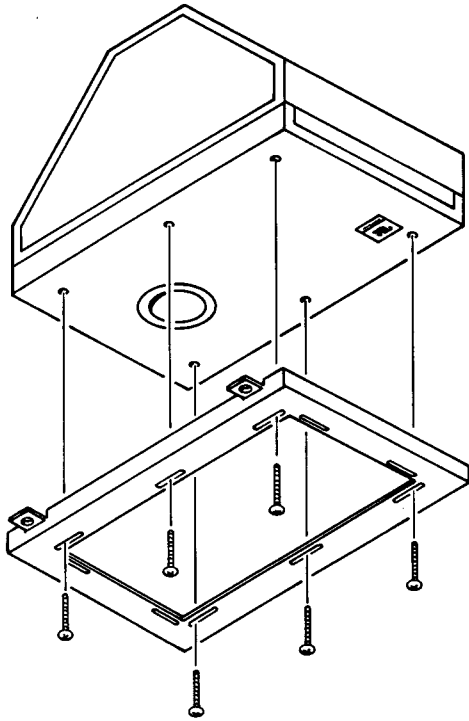


Figure 1

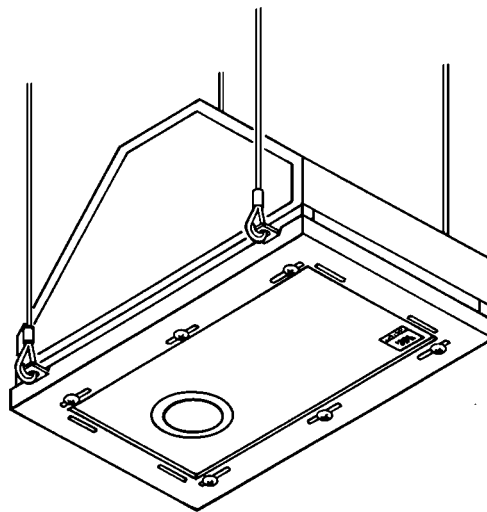


Figure 2

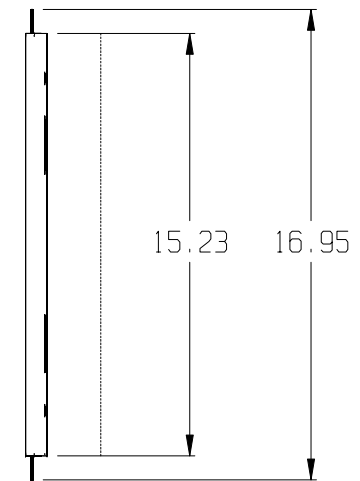
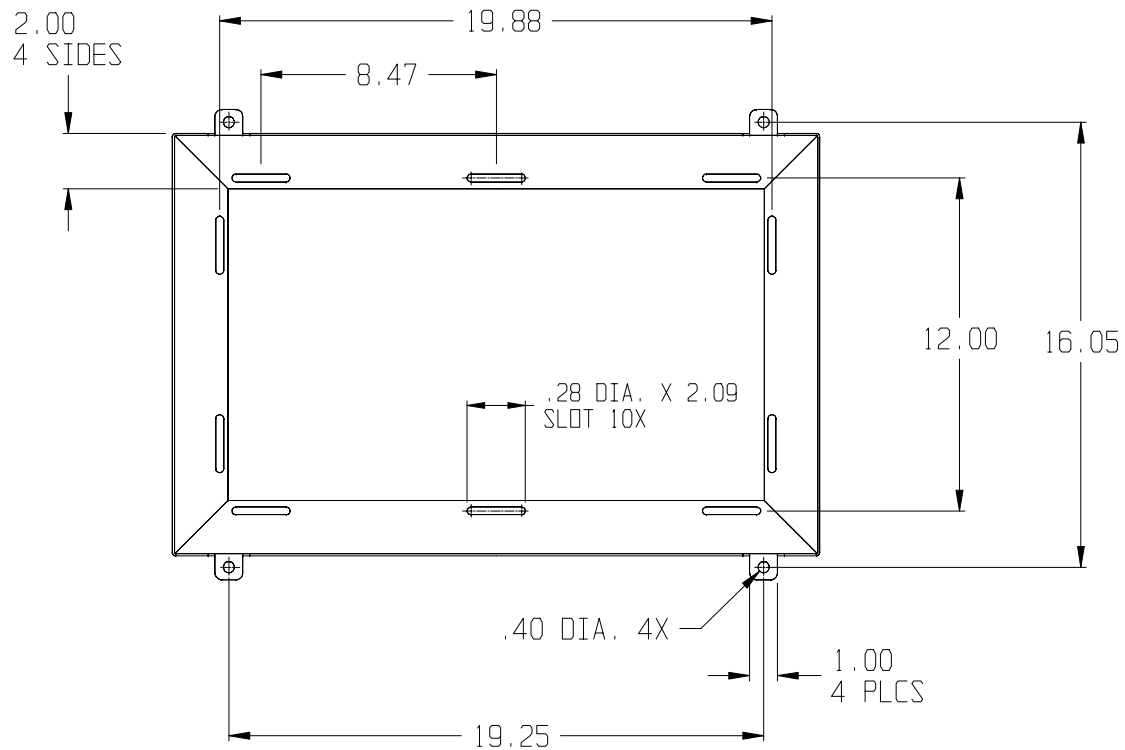
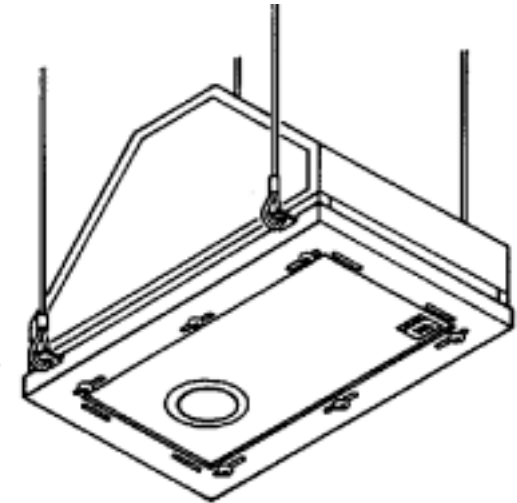
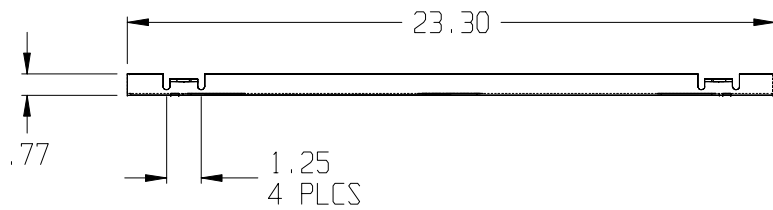


JBL Professional
8500 Balboa Boulevard, P.O. Box 2200
Northridge, California 91329 U.S.A.

01/98 PC
MTC-SB2C_INSTR

MTC-SB2C Mounting Frame

Note: Dimensions in Inches



Free Manuals Download Website

<http://myh66.com>

<http://usermanuals.us>

<http://www.somanuals.com>

<http://www.4manuals.cc>

<http://www.manual-lib.com>

<http://www.404manual.com>

<http://www.luxmanual.com>

<http://aubethermostatmanual.com>

Golf course search by state

<http://golfingnear.com>

Email search by domain

<http://emailbydomain.com>

Auto manuals search

<http://auto.somanuals.com>

TV manuals search

<http://tv.somanuals.com>