



Declaration of Conformity

CE

We, Harman Consumer Group, Inc.
2, route de Tours
72500 Château du Loir
France

declare in own responsibility that the product described in this owner's manual is in compliance with technical standards:

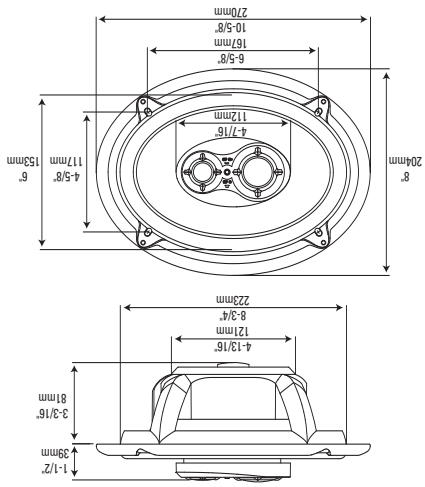
Klaus Leberer
Harman Consumer Group, Inc.
Château du Loir, France 6/08

EN 61000-6-3:2001
EN 61000-6-1:2001



© 2008 Harman International Industries, Incorporated. All rights reserved. Part No. T696LOM/08
Harman Consumer Group, Inc. • 250 Crossways Park Drive, Woodbury, NY 11797 USA • www.jbl.com
This product is designed for mobile applications and is not intended for connection to the mains.
Features, specifications and appearance are subject to change without notice.
A valid serial number is required for warranty coverage.
Designed and engineered in the USA.

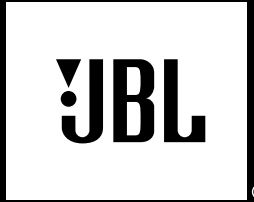
BL (T-m)	6.50	Fs (Hz)	49.4
DCR (ohms)	3.58	Qes	10.00
Mms (g)	26.00	Qms	0.64
Sd (sq cm)	237.0	Qt	89.4
Cms (µm/N)	400	1wSPL (dB)	92.9
Vas (l)	31.6	SPL 2.83V	92.9



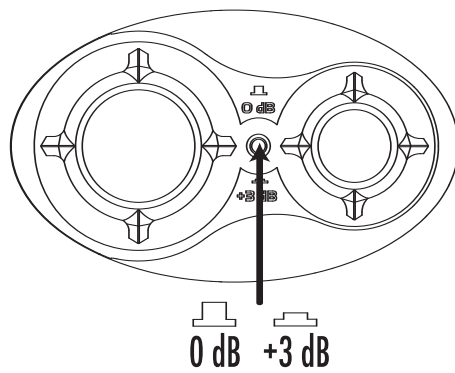
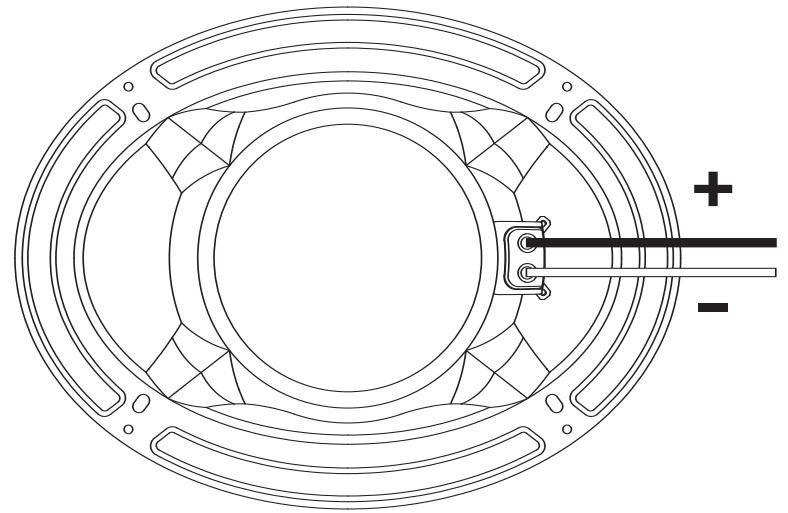
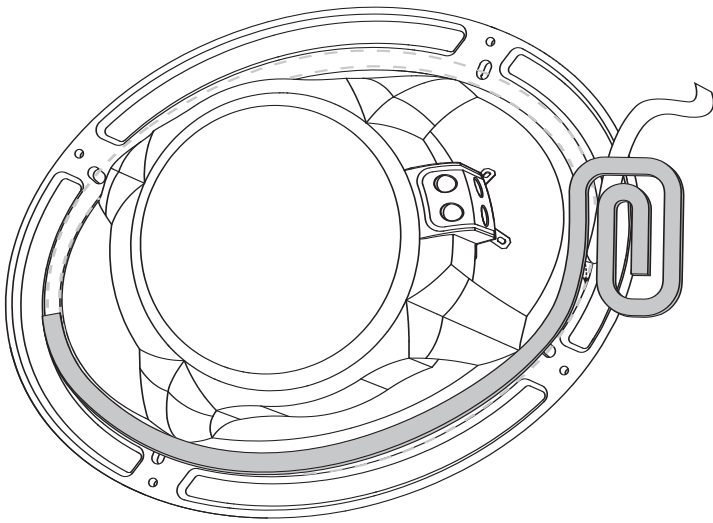
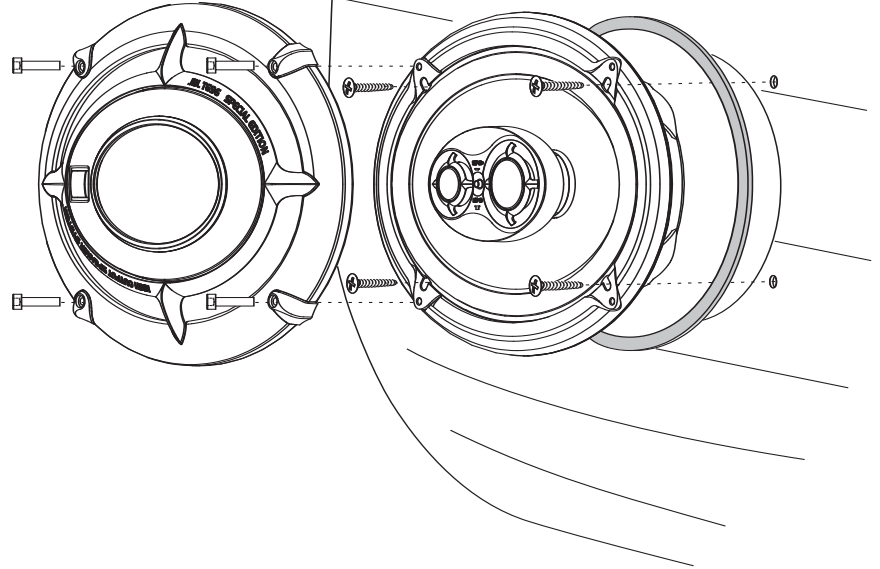
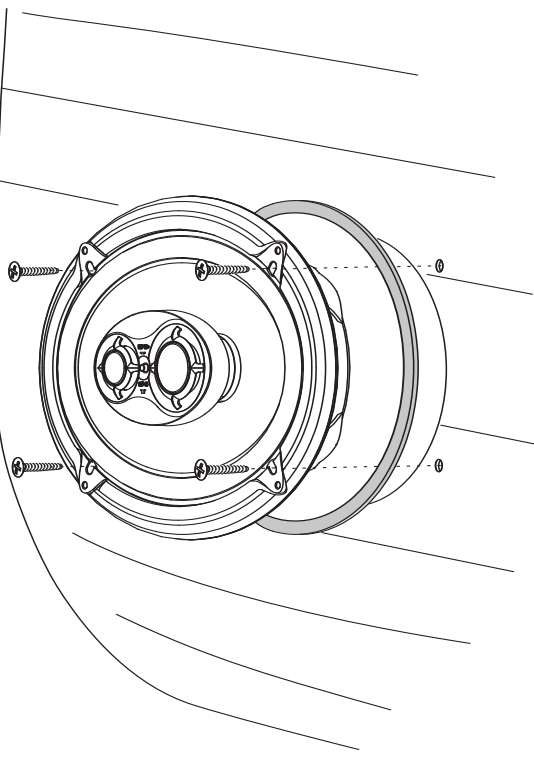
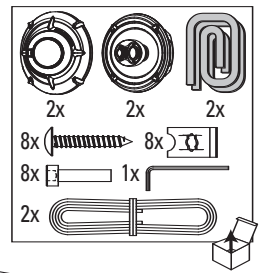
WARRANTY
 The loudspeaker grilles may be cleaned with a damp cloth.
 Do not use any cleaners or solvents on the grilles or the speaker cones.
 The T696L is warranted against defects. The duration of the speaker's warranty depends on the laws in the country in which it was purchased. Your local JBL® car audio retailer can help you determine the length of your warranty. To register your product, please visit www.jbl.com.

SPECIFICATIONS
 Impedance: 4 Ohms
 Power Handling, RMS: 150W
 Power Handling, Peak: 600W
 Frequency Response: 35Hz – 20kHz
 Sensitivity (2.83V, 1m): 93dB

T696 LIMITED



high-output speaker system owner's manual



Free Manuals Download Website

<http://myh66.com>

<http://usermanuals.us>

<http://www.somanuals.com>

<http://www.4manuals.cc>

<http://www.manual-lib.com>

<http://www.404manual.com>

<http://www.luxmanual.com>

<http://aubethermostatmanual.com>

Golf course search by state

<http://golfingnear.com>

Email search by domain

<http://emailbydomain.com>

Auto manuals search

<http://auto.somanuals.com>

TV manuals search

<http://tv.somanuals.com>