

The JBL logo is displayed in white, bold, sans-serif capital letters within an orange square background.

TLX271P

simple

setup guide

thank you for choosing JBL. For more than 50 years, JBL has been involved in every aspect of music and film recording and reproduction, from live performances to monitoring the recordings you play in your home, car or office.

We're confident that the JBL system you have chosen will provide every note of enjoyment that you expected – and that when you think about purchasing additional audio equipment for your home, car or office, you will once again choose JBL.

Please take a moment to complete the enclosed profile card. It enables us to keep you posted on our latest advancements, and helps us to better understand our customers and to build products that meet their needs and expectations.

JBL Consumer Products

read first! Important Safety Precautions!

CAUTION
RISK OF ELECTRIC SHOCK
DO NOT OPEN

CAUTION: To prevent electric shock, do not remove the grounding plug on the power cord, or use any plug or extension cord that does not have a grounding plug provided.

Make certain that the AC outlet is properly grounded. Do not use an adapter plug with this product.

 The lightning flash with arrowhead symbol, within an equilateral triangle, is intended to alert the user to the presence of uninsulated "dangerous voltage" within the product's enclosure that may be of sufficient magnitude to constitute a risk of electric shock to persons.

 The exclamation point within an equilateral triangle is intended to alert the user to the presence of important operating and maintenance (servicing) instructions in the literature accompanying the appliance.

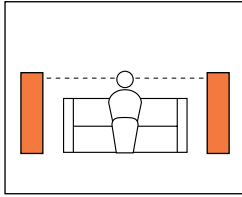
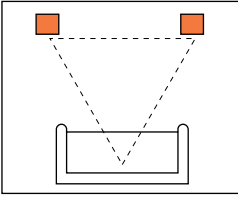
- 1. Read Instructions.** All the safety and operating instructions should be read before the product is operated.
- 2. Retain Instructions.** The safety and operating instructions should be retained for future reference.
- 3. Heed Warnings.** All warnings on the product and in the operating instructions should be adhered to.
- 4. Follow Instructions.** All operating and use instructions should be followed.
- 5. Water and Moisture.** The product should not be used near water – for example, near a bathtub, washbowl, kitchen sink, laundry tub, in a wet basement or near a swimming pool, and the like.
- 6. Accessories.** Do not place this product on an unstable cart, stand, tripod, bracket or table. The product may fall, causing serious injury to a child or adult, and serious damage to the product. Use only with a cart, stand, tripod, bracket or table recommended by the manufacturer, or sold with the product. Any mounting of the product should follow the manufacturer's instructions, and should use a mounting accessory recommended by the manufacturer.
- 7. Wall or Ceiling Mounting.** The product should be mounted on a wall or ceiling only when and as recommended by the manufacturer.
- 8. Ventilation.** Slots and openings in the cabinet are provided for ventilation and to ensure reliable operation of the product and to protect it from overheating, and these openings must not be blocked or covered. The openings should

- never be blocked by placing the product on a bed, sofa, rug or other similar surface. This product should not be placed in a built-in installation such as a bookcase or rack unless proper ventilation is provided or the manufacturer's instructions have been adhered to.
- 9. Heat.** The product should be situated away from heat sources such as radiators, heat registers, stoves or other products that produce heat. If placed near an amplifier, check with the manufacturer for applicability.
 - 10. Power Sources.** This product should be operated only from the type of power source indicated on the marking label. If you are not sure of the type of power supply to your home, consult your product dealer or local power company. For products intended to operate from battery power, or other sources, refer to the operating instructions.
 - 11. Grounding or Polarization.** This product may be equipped with a polarized alternating-current line plug (a plug having one blade wider than the other). This plug will fit into the power outlet only one way. This is a safety feature. If you are unable to insert the plug fully into the outlet, try reversing the plug. If the plug should still fail to fit, contact your electrician to replace your obsolete outlet. Do not defeat the safety purpose of the polarized plug.
 - 12. Power-Cord Protection.** Power-supply cords should be routed so that they are not likely to be walked on or pinched by items placed upon or against them, paying particular attention to cords at plugs, convenience receptacles and the point where they exit from the product.
 - 13. Cleaning.** Unplug this product from the wall outlet before cleaning. Do not use liquid cleaners or aerosol cleaners. Use a damp cloth for cleaning.
 - 14. Nonuse Periods.** The power cord of the product should be unplugged from the outlet when left unused for long periods of time.
 - 15. Lightning.** For added protection for this product during a lightning storm, or when it is left unattended and unused for long periods of time, unplug it from the wall outlet and disconnect the antenna or cable system. This will prevent damage to the product due to lightning and power-line surges.

- 16. Overloading.** Do not overload wall outlets, extension cords or integral convenience receptacles, as this can result in a risk of fire or electric shock.
- 17. Object and Liquid Entry.** Never push objects of any kind into this product through openings, as they may touch dangerous voltage points or short-out parts that could result in a fire or electric shock. Never spill liquid of any kind on the product.
- 18. Damage Requiring Service.** Unplug this product from the wall outlet and refer servicing to qualified service personnel under the following conditions:
 - a.** The power-supply cord or the plug has been damaged; or
 - b.** Objects have fallen onto, or liquid has been spilled into, the product; or
 - c.** The product has been exposed to rain or water; or
 - d.** The product does not operate normally when following the operating instructions. Adjust only those controls that are covered by the operating instructions, as an improper adjustment of other controls may result in damage and will often require extensive work by a qualified technician to restore the product to its normal operation; or
 - e.** The product has been dropped, or the enclosure damaged; or
 - f.** The product does not appear to operate normally or exhibits a marked change in performance.
- 19. Attachments.** Do not use attachments not recommended by the product manufacturer, as they may cause hazards.
- 20. Replacement Parts.** When replacement parts are required, be sure the service technician has used replacement parts specified by the manufacturer or that have the same characteristics as the original part. Unauthorized substitutions may result in fire, electric shock or other hazards.
- 21. Safety Check.** Upon completion of any service or repairs to this product, ask the service technician to perform safety checks to determine that the product is in proper operating condition.
- 22. Servicing.** Do not attempt to service this product yourself, as opening or removing covers may expose you to dangerous voltage or other hazards. Refer all servicing to qualified service personnel.

one. Speaker Placement

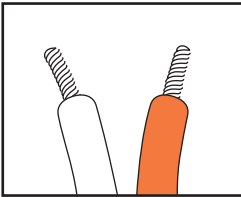
TLX271P



Tweeters should be at ear level.

two. Speaker Connections

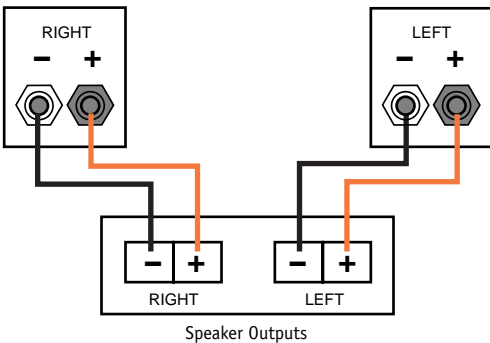
Connection Tips



Speakers and electronics terminals have corresponding (+) and (-) terminals. It is important to connect both speakers identically: (+) on the speaker to (+) on the amplifier and

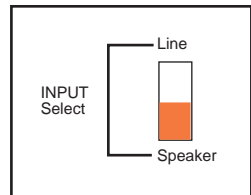
(-) on the speaker to (-) on the amplifier. Wiring "out of phase" results in thin sound, weak bass and a poor stereo image.

If your receiver does not have a subwoofer output:



Speaker Outputs

Set Input Select switch to "Speaker."



three. Operation

Mode	Procedure	LED Status
Off	Receiver/amplifier off	Off
On	Receiver/amplifier on and playing program material	Green
Auto	Simply turn off your receiver/amplifier. The speaker will turn off after approximately five minutes. The speaker will turn on when your receiver/amplifier begins playing again.	Red

Level

The level control adjusts the volume of the subwoofer in relation to the system's overall volume.



Troubleshooting

If there is no sound from any of the speakers, check the following:

- Receiver/amplifier is on and a source is playing.
- Review proper operation of your receiver/amplifier.

If there is no sound coming from one speaker, check the following:

- Check the "Balance" control on your receiver/amplifier.
- Check all wires and connections between receiver/amplifier and speakers.
- Make sure all wires are connected. Make sure none of the speaker wires are frayed, cut or punctured.

If the system plays at low volumes but shuts off as volume is increased, check the following:

- Check all wires and connections between receiver/amplifier and speakers.

- Make sure all wires are connected. Make sure none of the speaker wires are frayed, cut or punctured.
- If more than one pair of main speakers is being used, check the minimum impedance requirements of your receiver/amplifier.

If you used the high-level (speaker) inputs only and there is no sound from any of the speakers, check the following:

- Receiver/amplifier is on and a source is playing.
- TLX271P is plugged in.
- Check all wires and connections between receiver/amplifier and speakers. Make sure all wires are connected. Make sure none of the speaker wires are frayed, cut or punctured.
- Review proper operation of your receiver/amplifier.

If there is low bass output, check the following:

- Make sure the connections to the left and right "Speaker Inputs" have the correct polarity (+ and -).
- Make sure that the TLX271P is plugged into an active electrical outlet.

If you used the line-level inputs and there is no sound from the subwoofer, check the following:

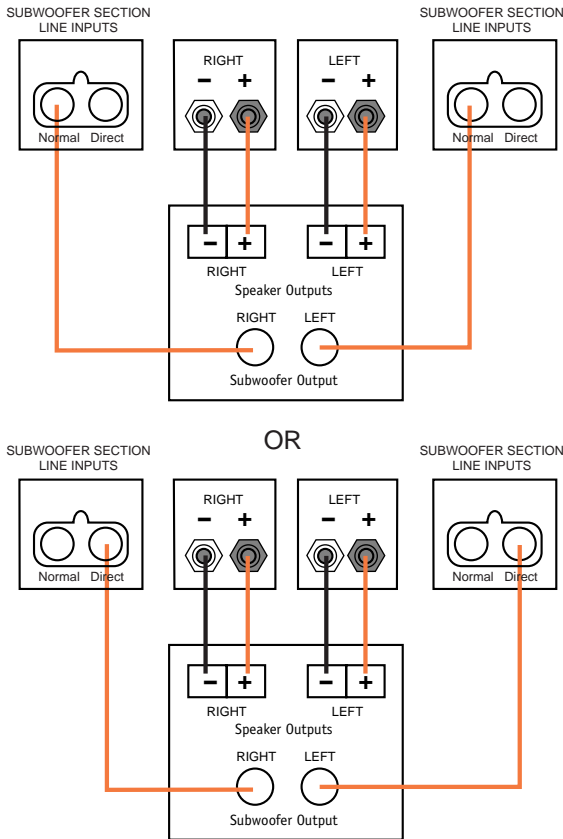
- Receiver/amplifier is on and a source is playing.
- TLX271P is plugged in.
- Check all wires and connections between receiver/amplifier and speakers. Make sure all wires are connected. Make sure none of the wires are frayed, cut or punctured.
- Review proper operation of your receiver/amplifier.

If your receiver has a subwoofer output:

The TLX271P incorporates two different types of line-level inputs that allow you to optimize the loudspeaker's performance in your system. If your receiver/processor's subwoofer output is already low-pass filtered, meaning the high frequencies have been

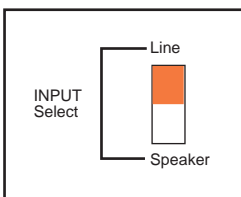
removed by the receiver, use the subwoofer input labeled **Direct**. If your receiver/processor's subwoofer output is full range, meaning the high frequencies have not been removed by the receiver, use the subwoofer input labeled **Normal**.

If you are unsure as to which type of subwoofer output your receiver/processor contains, please consult your receiver/processor owner's manual or contact the manufacturer. Do not hook up both inputs. Doing so will adversely affect the performance of the system.



OR

Set Input Select switch to "Line."



Note: Some receivers/amplifiers have a single (mono) subwoofer output. In this case, it is necessary to use a "Y"-connector (not included) to properly hook up the speakers using this method.

Specifications

SYSTEM	TLX271P
Frequency Response (-6dB):	30Hz – 25kHz
Subwoofer Amplifier:	100 watts
Recommended Maximum Amplifier Power*:	150 watts
Sensitivity @ 1 watt/1 meter:	90dB
Nominal Impedance:	8 ohms
Crossover Frequencies:	120Hz, 600Hz, 4000Hz
Subwoofer:	8"
Mid-Bass:	6-1/2"
Midrange:	4"
Tweeter:	10mm titanium laminate
Finish:	black-ash, wood-grain vinyl
Dimensions (H x W x D):	35-7/8 x 10-1/4 x 11-3/4" 911 x 260 x 298mm
Weight (each):	55 lbs/25 kg

*The maximum recommended amplifier power rating will ensure proper system headroom to allow for occasional peaks. We do not recommend sustained operation at these maximum power levels.

Occasional refinements may be made to existing products without notice, but will always meet or exceed original specifications unless otherwise stated.



JBL Consumer Products
250 Crossways Park Drive, Woodbury, NY 11797
8500 Balboa Boulevard, Northridge, CA 91329
1-800-336-4JBL (4525) (USA only)

© 1998 JBL, Incorporated.
JBL is a registered trademark of JBL, Incorporated.

♻️ Part No. TLX271POM 7/98

H A Harman International Company

Free Manuals Download Website

<http://myh66.com>

<http://usermanuals.us>

<http://www.somanuals.com>

<http://www.4manuals.cc>

<http://www.manual-lib.com>

<http://www.404manual.com>

<http://www.luxmanual.com>

<http://aubethermostatmanual.com>

Golf course search by state

<http://golfingnear.com>

Email search by domain

<http://emailbydomain.com>

Auto manuals search

<http://auto.somanuals.com>

TV manuals search

<http://tv.somanuals.com>