

© 2006 Jabra, GN Mobile A/S (GN Netcom A/S). All rights reserved. Jabra® is a registered trademark of GN Mobile A/S (GN Netcom A/S). All other trademarks included herein are the property of their respective owners. The Bluetooth® word mark and logos are owned by the Bluetooth SIG, Inc. and any use of such marks by GN Mobile A/S (GN Netcom A/S) is under license.
(Design and specifications subject to change without notice)



Jabra JX 10

www.jabra.com



RELEASE YOUR JABRA

Jabra

Bluetooth® Headset

User Manual

Jabra

www.jabra.com

Fig. 1

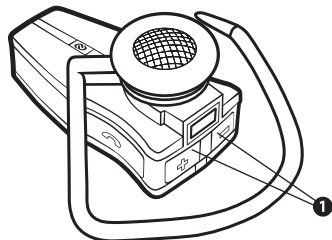


Fig. 2

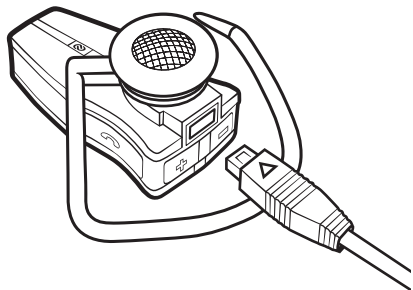


Fig. 3

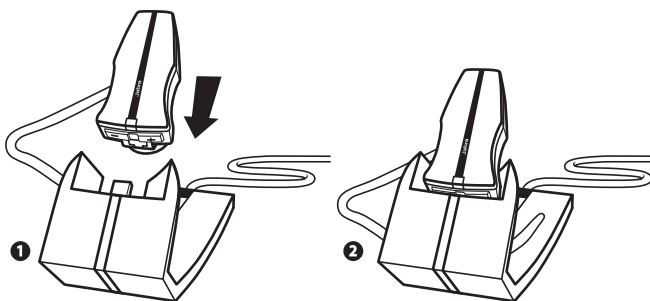


Fig. 4

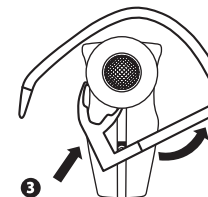
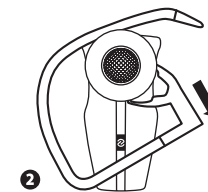
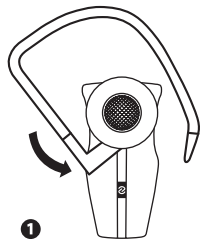


Fig. 5

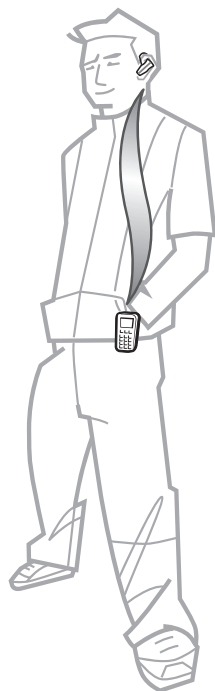
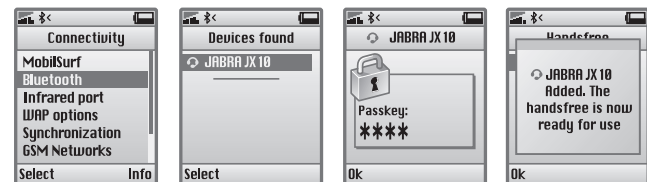


Fig. 6



English..... 1
 Français 11
 Español..... 21
 Português 31

English

Thank you.....	2
1. Charge your headset.....	3
2. Turn your headset on and off.....	4
3. Pair it with your phone.....	4
4. Wear it how you like it	4
5. How to	5
6. What the lights mean	6
7. Using a Jabra Bluetooth adapter	6
8. Troubleshooting & FAQ	6
9. Need more help?	7
10. Taking care of your headset	7
11. Warranty	8
12. Certification and safety approvals	9
13. Glossary.....	10

Thank you

Thank you for purchasing the Jabra JX10 Bluetooth® Headset. We hope you enjoy it! This instruction manual will get you started and ready to make the most of your headset.

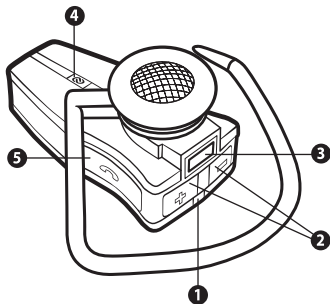
! Remember, driving comes first, not the call!

Using a mobile phone while driving can distract you and increase the likelihood of an accident. If driving conditions demand it (such as bad weather, high traffic density, presence of children in the car, difficult road conditions), pull off the road and park before making or answering calls. Also, try to keep conversations short and do not make notes or read documents.

Always drive safely and follow local laws.

About your Jabra JX10

- LED light
 - Blue indicates mode (pairing, active or standby)
 - Red/green indicates battery level (low, charging, or charged)
- Volume up (+), volume down (-)
- Charging socket
- Pairing button – **press** until the LED light turns solid blue to put the headset in pairing mode
- Answer/end button
 - **Press** to turn headset on (blue flash burst indicates success)
 - **Press and hold** to turn headset off (blue flash burst indicates success)
 - **Tap** to answer or end a call



What your headset can do

Your Jabra JX10 lets you do all this

- Answer calls
- End calls
- Reject calls*
- Voice dialing*
- Last number redialing*
- Call waiting*
- Place a call on hold*

***Phone dependent**

Specifications

- Up to 6 hours talk time/standby time up to 200 hours
- Rechargeable battery with charging option from AC power supply, PC via USB cable, desktop charger or car charger (not included)
- Less than 1/3 ounce (10 grams)
- Operating range up to 33 feet (10 meters)
- Headset and hands-free Bluetooth profiles
- Bluetooth specification (see *glossary*) version 1.2

Getting started

The Jabra JX10 is easy to operate. The answer/end button on the headset performs different functions depending on how long you press it.

Instruction:	Duration of press:
Tap	Press briefly
Press	Approx: 1 second
Press and hold	Approx: 5 seconds

1 Charge your headset

Make sure that your Jabra JX10 headset is fully charged for two hours before you start using it. Use the AC power supply to charge from a power socket, or charge directly from your PC with the USB cable provided. Connect your headset as shown in fig. 2. When the LED is solid red, your headset is charging. When the LED is green, it is fully charged.

Charge from your desktop holder


Connect your USB cable/AC power supply to the desktop holder. Place your JX10 in the cradle as shown in fig. 3

2 Turning your headset on and off

- **Press** the answer/end button to turn on your headset. The blue light (LED) shows a burst of flashes and thereafter continues to flash every 3 seconds.
- To turn off your headset, **press and hold** the answer/end button until you see a burst of flashes.

3 Pair it with your phone

Before you use your Jabra JX10, you need to pair it with your mobile phone.

1. **Put the headset in pairing mode**
 - Make sure the headset is on.
 - **Press** the pairing button marked  until the blue light (LED) turns solid blue.
2. **Set your Bluetooth phone to 'discover' the Jabra JX10**
Follow your phone's instruction guide. This usually involves going to a 'setup,' 'connect' or 'Bluetooth' menu **on your phone** and selecting the option to 'discover' or 'add' a Bluetooth device. * (See example from a typical mobile phone in fig. 6).
3. **Your phone will find the Jabra JX10**
Your phone then asks if you want to pair with it. Accept by pressing 'Yes' or 'OK' on the phone and confirm with the **passkey or PIN = 0000 (4 zeros)**.

Your phone will confirm when pairing is complete. In case of unsuccessful pairing, repeat steps 1 to 3.

4 Wear it how you like it

The Jabra JX10 is ready to wear on your right ear. If you prefer the left, gently remove the earhook and rotate to fit the left ear. (See fig. 4)

For optimal performance, wear the Jabra JX10 and your mobile phone on the same side of your body or within line of sight. In general, you will get better performance when there are no obstructions between your headset and your mobile phone.

5 How to...

Answer a call

- **Tap** the answer/end button on your headset to answer a call.

End a call

- **Tap** the answer/end button to end an active call.

Make a call

- When you make a call from your mobile phone, the call will (subject to phone settings) automatically transfer to your headset. If your phone does not allow this feature, tap on the Jabra JX10's answer/end button to transfer the call to the headset.

Reject a call*

- **Press** the answer/end button when the phone rings to reject an incoming call. Depending on your phone settings, the person who called you will either be forwarded to your voice mail or hear a busy signal.

Activate voice dialing*

- **Tap** the answer/end button. For best results, record the voice-dialing tag through your headset. Please consult your phone's user manual for more information about using this feature.

Redial last number*

- **Press** the answer/end button.

Adjust sound and volume

- **Press** the volume up or down (+ or -) to adjust the volume. (See fig. 1 ①)

Call waiting and placing a call on hold*

This lets you place a call on hold during a conversation and answer a waiting call.

- **Press** the answer/end button once to put the active call on hold and answer the waiting call.
- **Press** the answer/end button to switch between the two calls.
- **Tap** the answer/end button to end the active conversation.

* Functions marked with * are dependent on your phone supporting these features. Check your phone's user manual for further information.

6 What the lights mean

What you see	What this means
Flashing blue light	Flashing every second: active on a call
Flashing blue light	Flashing every three seconds: in standby mode
Flashing red light	Running low on battery
Solid red light	Charging
Solid green light	Fully charged
Solid blue light	In pairing mode – see section 3

7 Using a Jabra Bluetooth adapter

If you want to use the Jabra JX10 with a non-Bluetooth mobile phone, the Jabra A210 adapter is the answer.

The Jabra A210 gives you a cordless connection with the following headset features: answer/end call, voice dial function (if supported by the phone). Rejecting a call, last number redial and putting a call on hold might not be supported through the headset jack in the mobile phone.

To pair the Jabra JX10 with the Jabra A210

The pairing process is a little different:

- Put your Jabra JX10 in pairing mode.
- Put the Jabra A210 adapter in pairing mode.
- Place them close together. You do not need a dedicated pin code to pair the two Jabra products. Consult the Jabra A210 user manual for more information.

Making/answering a call when using the Jabra A210

- When you make a call from your mobile phone, the call will automatically transfer to the headset (if it is turned on).
- To answer a call: either **tap** the answer/end button on your headset or **press** the answer button on your mobile phone.

8 Troubleshooting & FAQ

I hear crackling noises

For the best audio quality, always wear your headset on the same side of the body as your mobile phone.

I cannot hear anything in my headset

- Increase the volume on the headset.
- Ensure that the headset is paired with the phone.
- Make sure that the phone is connected to the headset – if it does not connect either from the phone's Bluetooth menu or by tapping the answer/end button, follow the pairing procedure (**see section 3**).

I have pairing problems even though my phone indicates otherwise

You may have deleted your headset pairing connection in your mobile phone. Follow the pairing instructions in section 3.

Will the Jabra JX10 work with other Bluetooth equipment?

The Jabra JX10 is designed to work with Bluetooth mobile phones. It can also work with other Bluetooth devices that are compliant with Bluetooth version 1.1 or 1.2 and support a headset and/or hands-free profile.

Please note:

If the JX10 is completely discharged when you begin charging, it may take a couple of minutes before the charging indicator light (LED) turns on.

9 Need more help?

1. Web: www.jabra.com (for the latest support info and online User Manuals)
2. E-mail: Tech Support: techsupp@jabra.com
Information: info@jabra.com
3. Phone: **1 (800) 327-2230** (toll-free in USA)
1 (603) 579-5311 (Canada)

10 Taking care of your headset

- Always store the Jabra JX10 with the power off and safely protected
- Avoid storage at extreme temperatures (above 45°C/113°F – including direct sunlight – or below -10°C/14°F). This can shorten battery life and may affect operation. High temperatures may also degrade performance. Low temperatures (down to -10°C/14°F) will shorten battery life and may affect operation but should not permanently damage the Jabra JX10.
- Do not expose the Jabra JX10 to rain or other liquids.

11 Warranty

Jabra (GN Netcom) warrants this product against all defects in material and workmanship Jabra limited product warranty. Jabra is a wholly owned trademark of GN Mobile (GN Netcom A/S). Jabra warrants to Purchaser that for a period of one (1) year after the date of purchase (the "Warranty Period") of any Jabra Product ("Product") by Purchaser, the Product will substantially conform to Jabra's published specifications for the Product on the date of Purchaser's purchase of the Product, subject to the terms herein. Purchaser shall notify Jabra of any nonconformance during the Warranty Period and obtain a written return material authorization ("RMA") and an RMA number for the nonconforming Product from Jabra and return the nonconforming Product to Jabra, freight prepaid, with a statement describing the nonconformity. Jabra's exclusive obligation with respect to nonconforming Product shall be, at Jabra's option and expense, to repair or replace such Product so that it substantially conforms with its published specifications on the date of Purchaser's purchase, or, if Jabra, in Jabra's sole discretion, determines that it is not possible to repair or replace the Product, Jabra may, at Jabra's option, refund to Purchaser the purchase price paid for the Product. THE FOREGOING IS PURCHASER'S SOLE AND EXCLUSIVE REMEDY FOR BREACH OF WARRANTY BY JABRA WITH RESPECT TO THE PRODUCT. The warranty set forth above shall not apply to any Product which has not been properly used or handled in accordance with the instructions supplied by Jabra, lost or misplaced for any reason, or which has been modified, repaired or altered, except by Jabra or at a Jabra authorized service facility, or which has been subjected to faulty installation, misuse, abuse, or which the Product defect is attributable to any failure or damage which is beyond the reasonable control of Jabra. This warranty is available only to Purchaser, and does not extend to any distributors, retailers, or other resellers of the Product. This warranty applies only to new Jabra products purchased from authorized retail sellers. This warranty does not apply to: "open box purchases", resales by private parties or any other third party purchases by unauthorized distributors. Transfer of Jabra products through any unauthorized distributor renders our manufacturer's warranty null and void. BUYER BEWARE: any Jabra product sold by a private party or unauthorized distributor and not by an authorized Jabra retail seller is sold on an "as is" or "with all faults" basis with respect to Jabra. As such, the entire risk as to the quality and performance of such products will be with the buyer if the unauthorized distributor will not cover the costs of repairing defects. Should such products prove defective following their purchase, the buyer or unauthorized distributor, and not the manufacturer or its authorized retail sellers, assumes the entire cost of all necessary servicing or repair. Therefore, buyers are strongly encouraged to purchase Jabra products only from Jabra authorized retail sellers. THE FOREGOING WARRANTIES ARE

THE SOLE WARRANTIES, EXPRESS OR IMPLIED, GIVEN BY JABRA IN CONNECTION WITH THE PRODUCT, AND JABRA DISCLAIMS ALL OTHER WARRANTIES, INCLUDING WARRANTIES OF MERCHANTABILITY, FITNESS FOR A PARTICULAR PURPOSE AND NON-INFRINGEMENT OF THIRD PARTY RIGHTS. JABRA SHALL NOT BE LIABLE FOR ANY SPECIAL, INCIDENTAL OR CONSEQUENTIAL DAMAGES IN CONNECTION WITH THE PRODUCT, EVEN IF JABRA HAS BEEN ADVISED OF THE POSSIBILITY OF SUCH DAMAGES. THE LIABILITY OF JABRA HEREUNDER FOR ALL CLAIMS SHALL NOT EXCEED THE AMOUNT PAID BY PURCHASER TO JABRA FOR THE PRODUCT GIVING RISE TO JABRA'S LIABILITY.

12 Certification and safety approvals

FCC

This device complies with part 15 of the FCC Rules. Operation is subject to the following two conditions: (1) This device may not cause harmful interference, and (2) this device must accept any interference received, including interference that may cause undesired operation.

Users are not permitted to make changes or modify the device in any way. Changes or modifications not expressly approved by Jabra will void the user's authority to operate the equipment.

This equipment has been tested and found to comply with the limits for a Class B digital device, pursuant to part 15 of the FCC Rules. These limits are designed to provide reasonable protection against harmful interference in a residential installation. This equipment generates, uses and can radiate radio frequency energy and, if not installed and used in accordance with the instructions, may cause harmful interference to radio communications. However, there is no guarantee that interference will not occur in a particular installation. If this equipment does cause harmful interference to radio or television reception, which can be determined by turning the equipment off and on, the user is encouraged to try to correct the interference by one or more of the following measures:

- Reorient or relocate the receiving antenna.
- Increase the separation between the equipment and receiver.
- Connect the equipment into an outlet on a circuit different from that to which the receiver is connected.
- Consult the dealer or an experienced radio/TV technician for help.

The user must place the base 8" (20cm) or more from any personnel in order to comply with FCC RF exposure requirements.

Industry Canada

Operation is subject to the following two conditions: (1) This device may not cause interference and (2) This device must accept any interference, including interference that may cause undesired operation of the device.

The term "IC:" before the certification/registration number only signifies that registration was performed based on a Declaration of Conformity indicating that Industry Canada technical specifications were met. It does not imply that Industry Canada approved the equipment.

CE

This product is CE marked according to the provisions of the R & TTE Directive (99/5/EC).

Hereby, GN Netcom, declares that this product is in compliance with the essential requirements and other relevant provisions of Directive 1999/5/EC. For further information please consult <http://www.gnnetcom.com>

Bluetooth

The *Bluetooth*® word mark and logos are owned by the Bluetooth SIG, Inc. and any use of such marks by Jabra is under license. Other trademarks and trade names are those of their respective owners.

13 Glossary

- 1 **Bluetooth** is a radio technology that connects devices, such as mobile phones and headsets, without wires or cords over a short distance (approx. 33 feet). Get more information at www.bluetooth.com.
- 2 **Bluetooth profiles** are the different ways that Bluetooth devices communicate with other devices. Bluetooth phones support either the headset profile, the hands-free profile or both. In order to support a certain profile, a phone manufacturer must implement certain mandatory features within the phone's software.
- 3 **Pairing** creates a unique and encrypted link between two Bluetooth devices and lets them communicate with each other. Bluetooth devices will not work if the devices have not been paired.
- 4 **Passkey** or **PIN** is a code that you enter on your mobile phone to pair it with your Jabra JX10. This makes your phone and the Jabra JX10 recognize each other and automatically work together.
- 5 **Standby mode** is when the Jabra JX10 is passively waiting for a call. When you 'end' a call on your mobile phone, the headset goes into standby mode.

Français

Merci	12
1. Chargement de votre micro-casque	13
2. Allumer et éteindre le micro-casque	14
3. Jumelage avec votre téléphone	14
4. Portez-le comme vous le souhaitez	14
5. Comment.....	15
6. Signification des voyants lumineux	16
7. Utilisation d'un adaptateur Jabra Bluetooth	16
8. Dépannage et questions fréquentes.....	16
9. Besoin d'aide supplémentaire?	17
10. Entretien du micro-casque.....	17
11. Garantie.....	18
12. Homologation et agréments de sécurité.....	19
13. Glossaire.....	20

Merci

Nous vous remercions d'avoir acheté un micro-casque Jabra JX10 Bluetooth®. Nous espérons que vous en serez satisfait. Ce mode d'emploi vous permettra d'utiliser et de tirer le meilleur parti de votre micro-casque.

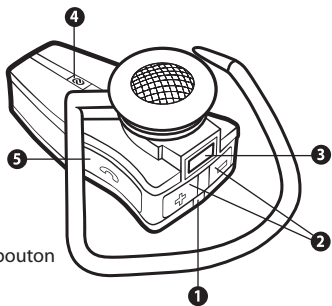
! Rappelez-vous que la conduite doit passer avant les communications téléphoniques!

Toute utilisation d'un téléphone portable pendant la conduite suscite, pour le conducteur, une distraction qui peut augmenter le risque d'accident. Si les conditions de conduite l'exigent (par exemple par mauvais temps, en cas de circulation dense, de présence d'enfants dans la voiture ou de routes en mauvais état), quittez la route et gardez-vous avant d'effectuer ou de répondre à un appel. Veillez aussi à écourter les communications et à ne pas prendre de notes ni lire de documents.

Conduisez toujours prudemment et respectez le Code de la route.

À propos de votre Jabra JX10

- Voyant lumineux
 - Bleu indique le mode (jumelage, appel en cours ou veille).
 - Rouge/vert indique le niveau de charge de la batterie (bas, en charge ou chargée).
- Augmenter le volume (+), diminuer le volume (-)
- Prise de chargement
- Bouton de jumelage – **Permet de placer le micro-casque en mode de jumelage. Appuyez** jusqu'à ce que le voyant lumineux soit allumé en bleu sans clignoter
- Touche Réponse/Fin
 - Pour allumer le micro-casque, appuyez** sur cette touche (un clignotement bleu rapide indique que le micro-casque est en marche)
 - Pour éteindre le micro-casque, appuyez** et tenez la touche enfoncée (un clignotement bleu rapide indique que l'opération a réussi)
 - Pour répondre à un appel ou le terminer, touchez** légèrement le bouton



Fonctionnalités de votre micro-casque

Votre Jabra JX10 vous permet d'exécuter les opérations suivantes :

- Répondre à des appels
- Terminer des appels
- Refuser des appels*
- Composition vocale*
- Recomposition du dernier numéro*
- Appel en attente*
- Mise en attente d'un appel*

***Selon le modèle de téléphone**

Spécifications

- Jusqu'à 6 heures de conversation et jusqu'à 200 heures en veille
- Batterie rechargeable, compatible avec tout chargeur d'alimentation en courant alternatif, possibilité de recharge à partir d'un ordinateur via câble USB, chargeur de bureau ou de voiture (non inclus)
- Moins de 1/3 10 grammes
- Portée : jusqu'à 10 m (33 pieds)
- Profils micro-casque et mains-libres Bluetooth
- Spécification Bluetooth (voir *glossaire*) version 1.2

Mise en route

Le Jabra JX10 est facile à utiliser. Le bouton répondre/terminer un appel du micro-casque exécute des fonctions différentes en fonction de la manière dont vous appuyez dessus.

Mode d'emploi :	Durée d'enfoncement :
Toucher	Enfoncer très rapidement
Appuyer	Environ 1 seconde
Appuyer et tenir	Environ 5 secondes

1 Chargement de votre micro-casque

Assurez-vous que votre micro-casque Jabra JX10 est complètement chargé avant de commencer à l'utiliser. Utilisez l'adaptateur secteur ou chargez-le directement sur votre ordinateur avec le câble USB inclus. Branchez le casque comme indiqué dans la figure 2. Lorsque le voyant rouge s'allume sans clignoter, le casque est en charge. Lorsque le voyant est vert, le casque est entièrement chargé.

Utilisation du chargeur de bureau

Branchez votre câble USB/adaptateur secteur sur le chargeur de bureau. Posez votre JX10 sur le support comme indiqué dans l'illustration 3.


2 Allumer et éteindre le micro-casque

- Pour allumer le micro-casque, **appuyez** sur le bouton répondre/terminer. Le voyant bleu clignote rapidement plusieurs fois, puis clignote une fois toutes les 3 secondes.
- Pour éteindre le micro-casque, **appuyez et tenez** le bouton répondre/terminer jusqu'à ce que vous aperceviez une série de clignotements rapides.

3 Jumelage avec votre téléphone

Avant d'utiliser votre Jabra JX10, vous devez le jumeler avec votre téléphone mobile.

1. Mettez le casque en mode de jumelage

- Assurez-vous que le casque est en marche.
- **Appuyez** sur la touche de jumelage  jusqu'à ce que le témoin bleu s'allume en continu.

2. Réglez votre téléphone Bluetooth pour qu'il « détecte » le Jabra JX10

Consultez le manuel d'utilisation de votre téléphone. Généralement, la procédure à suivre implique d'accéder, **sur votre téléphone**, à un menu de configuration, de connexion ou Bluetooth, puis de sélectionner l'option de détection ou d'ajout d'un périphérique Bluetooth. * **(Voir figure 6, exemple à partir d'un téléphone mobile ordinaire.)**

3. Votre téléphone détecte le Jabra JX10

Votre téléphone vous demande ensuite si vous voulez effectuer un jumelage. Acceptez en appuyant sur « Oui », ou sur « OK » sur le téléphone, puis confirmez avec le **mot de passe ou le NIP = 0000 (4 zéros)**.

Lorsque le jumelage est terminé, le téléphone confirme que la procédure a réussi. Si le jumelage échoue, répétez les étapes 1 à 3.

4 Portez-le comme vous le souhaitez

Le Jabra JX10 est livré pour être porté sur l'oreille droite. Si vous préférez le porter sur l'oreille gauche, retirez doucement le micro-casque et tournez-le pour l'adapter à l'oreille gauche **(voir figure 4)**.

Pour une performance optimale, portez le Jabra JX10 et votre téléphone mobile du même côté ou dans la même ligne de visée. En règle générale, vous obtiendrez un meilleur fonctionnement lorsqu'il n'y a aucun obstacle entre votre micro-casque et votre téléphone portable.

5 Comment...

Répondre à un appel

- Pour répondre à un appel, **touchez** le bouton répondre/terminer du micro-casque.

Terminer un appel

- Pour terminer un appel, **touchez** le bouton répondre/terminer du micro-casque.

Effectuer un appel

- Lorsque vous effectuez un appel depuis votre téléphone portable, l'appel est automatiquement transféré vers votre micro-casque (selon le réglage de votre téléphone). Si votre téléphone ne permet pas cette fonction, touchez la touche répondre/terminer du Jabra JX10 pour transférer l'appel vers le micro-casque.

Refuser un appel*

- **Appuyez** une bonne seconde sur le bouton répondre/terminer lorsque le téléphone sonne et l'appel sera rejeté. Selon les paramètres de votre téléphone, le correspondant sera transféré sur votre messagerie vocale ou recevra la tonalité occupé.

Activer la composition vocale*

- **Touchez** le bouton répondre/terminer. Pour de meilleurs résultats, enregistrez le code de composition vocale via votre micro-casque. Veuillez consulter le manuel d'utilisation de votre téléphone pour plus d'informations sur cette fonction.

Rappeler le dernier numéro composé*

- **Appuyez** une bonne seconde sur le bouton répondre/terminer.

Régler le son et le volume

- Pour régler le volume, **appuyez** sur le bouton d'augmentation ou de réduction du volume (+ ou -). **(voir figure 1 1)**

Fonction double appel/mise en attente*

Cette fonction vous permet de mettre un appel en attente pendant que vous répondez à un autre appel.

- **Appuyez** une fois sur la touche répondre/terminer pour mettre l'appel en cours en attente et répondre à l'appel entrant.
- **Appuyez** une seconde sur le bouton répondre/terminer pour passer d'un appel à l'autre.
- **Touchez** le bouton répondre/terminer et vous terminerez l'appel actuellement en ligne.

*** Les fonctions marquées * dépendent des fonctions prises en charge par votre téléphone. Pour plus d'informations, vérifiez le mode d'emploi de votre téléphone.**

6 Signification des voyants lumineux

Ce que vous voyez	Signification concernant votre micro-casque
Le voyant bleu clignote	Clignote toutes les secondes : appel en cours
Le voyant bleu clignote	Clignote toutes les trois secondes : en mode veille
Le voyant rouge clignote	Batterie faible
Le voyant rouge est allumé en continu	Batterie en charge
Le voyant vert est allumé en continu	Batterie entièrement chargée
Le voyant bleu est allumé en continu	Mode jumelage activé (voir section 3)

7 Utilisation d'un adaptateur Jabra Bluetooth

Pour utiliser le Jabra JX10 avec un téléphone mobile non compatible Bluetooth, l'adaptateur Jabra A210 est la solution.

Le Jabra A210 permet de réaliser une connexion sans fil et d'utiliser les fonctions suivantes du micro-casque : répondre/terminer un appel, composition vocale (si le téléphone les prend en charge). Il se peut que les fonctions de refus d'appel, appel du dernier numéro et mise en attente d'appel ne soient pas compatibles avec la prise casque du téléphone mobile.

Jumelage du Jabra JX10 avec l'adaptateur Jabra A210

Le processus de jumelage est un peu différent :

- Placez votre Jabra JX10 en mode de jumelage.
- Placez l'adaptateur Jabra A210 en mode de jumelage.
- Placez-les à proximité l'un de l'autre. Vous n'avez pas besoin d'un NIP spécifique pour jumeler les deux appareils Jabra. Pour de plus amples informations, consultez le mode d'emploi du Jabra A210.

Effectuer/répondre à un appel avec l'adaptateur Jabra A210

- Lorsque vous effectuez un appel à partir de votre téléphone portable, l'appel est automatiquement transféré vers le micro-casque (s'il est en marche).
- Pour répondre à un appel : Vous pouvez soit **toucher** le bouton répondre/terminer du micro-casque, soit **appuyer** sur le bouton réponse de votre téléphone mobile.

8 Dépannage et questions fréquentes

J'entends des craquements

Pour une qualité audio optimale, portez toujours le micro-casque du même côté que votre téléphone portable.

Je n'entends rien dans mon casque

- Augmentez le volume de votre micro-casque.
- Assurez-vous que le micro-casque est jumelé au téléphone.
- Assurez-vous que le téléphone est connecté au casque – s'il ne se connecte pas à partir du menu Bluetooth du téléphone ou en touchant le bouton répondre/terminer, suivez la procédure de jumelage (**voir la section 3**).

J'ai des problèmes de jumelage, même si mon téléphone indique l'inverse

Vous avez peut-être supprimé la connexion jumelée dans votre téléphone mobile. Suivez les instructions de jumelage de la section 3.

Le micro-casque Jabra JX10 fonctionne-t-il avec d'autres appareils Bluetooth?

Le micro-casque Jabra JX10 est conçu pour fonctionner avec des téléphones portables Bluetooth. Il peut aussi fonctionner avec d'autres appareils Bluetooth compatibles avec les versions Bluetooth 1.1 ou 1.2 et prenant en charge un profil micro-casque et/ou mains-libres.

Remarque :

Si le JX10 est complètement déchargé lorsque vous commencez l'opération de charge, il est possible que vous deviez attendre quelques minutes avant que le témoin de charge s'allume.

9 Besoin d'aide supplémentaire?

1. Sur Internet : **www.jabra.com** (pour les infos les plus récentes en matière d'assistance et pour accéder aux manuels d'utilisation en ligne)
2. Courriel : Assistance technique : techsupp@jabra.com
Informations : info@jabra.com
3. Téléphone : **1 (800) 327-2230** (numéro d'appel gratuit depuis les États-Unis)
1 (603) 579-5311 (Canada)

10 Entretien du micro-casque

- Éteignez toujours le micro-casque et emballez-le soigneusement avant de le ranger.
- Évitez de ranger votre micro-casque sous des températures extrêmes, c'est-à-dire au-dessus de 45°C/113°F (incluant une exposition directe au soleil) ou au-dessous de -10°C/14°F. Ces températures risquent de réduire la durée de vie de la batterie et d'entraîner des dysfonctionnements. Les températures élevées risquent aussi de diminuer les performances. Le froid (jusqu'à -10°C) réduira la durée de vie de la batterie et pourrait entraver le fonctionnement, mais ne devrait pas endommager le Jabra JX10 de façon permanente.
- Évitez d'exposer le Jabra JX10 à la pluie ou d'autres liquides.

11 Garantie

Jabra (GN Netcom) garantit ce produit contre tous les défauts, pièce et main d'œuvre, avec une garantie de produit limitée Jabra. Jabra est une marque de commerce appartenant entièrement à GN Mobile (GN Netcom A/S). Jabra garantit à l'Acheteur que durant une période d'une (1) année à compter de la date d'achat (la « Période de garantie ») de tout produit Jabra (le « Produit ») par l'Acheteur, le Produit sera en substance conforme aux spécifications publiées par Jabra pour celui-ci à la date d'achat du Produit par l'Acheteur, sous réserve des dispositions des présentes. L'Acheteur informera Jabra de tout défaut de conformité au cours de la Période de garantie et obtiendra de Jabra une autorisation écrite de retour de matériel (« ARM »), ainsi qu'un numéro d'ARM pour le Produit non conforme, et retournera le Produit non conforme à Jabra, en port payé, accompagné d'une déclaration décrivant le défaut de conformité. La seule obligation de Jabra concernant le Produit non conforme sera, au choix et aux frais de Jabra, de réparer ou de remplacer le Produit de sorte que celui-ci soit en substance conforme aux spécifications publiées à la date d'acquisition par l'Acheteur ou bien, si Jabra détermine à sa seule discrétion qu'il n'est pas possible de réparer ou de remplacer le Produit, Jabra pourra, à son gré, rembourser à l'Acheteur le prix d'achat payé pour le Produit. CE QUI PRÉCÈDE EST LE SEUL ET UNIQUE RECOURS DE L'ACHETEUR EN CAS DE VIOLATION DE LA GARANTIE PAR JABRA CONCERNANT LE PRODUIT. La garantie stipulée ci-dessus ne s'appliquera à aucun Produit n'ayant pas été utilisé ou manipulé de manière adéquate, conformément aux instructions fournies par Jabra, perdu ou égaré pour quelque raison que ce soit, modifié, réparé ou transformé, sauf par Jabra ou dans les installations de service agréées de Jabra, ayant fait l'objet d'une installation défectueuse, d'une mauvaise utilisation ou d'un usage abusif, ou lorsque le défaut du Produit est imputable à un défaut ou à un dommage échappant au contrôle raisonnable de Jabra. La présente garantie ne s'applique qu'à l'Acheteur et ne s'étend à aucun distributeur, détaillant ou autre revendeur du Produit. Cette garantie n'est applicable qu'aux nouveaux produits Jabra achetés auprès de revendeurs agréés. Elle n'est pas applicable aux achats de « seconde main », à savoir aux rachats par des tiers privés ou tout autre type de rachat par des distributeurs non autorisés. Toute cession de produits Jabra par le biais de tout distributeur non autorisé rend caduque notre garantie de fabricant. **AVERTISSEMENT À L'ACHETEUR :** Tout produit Jabra vendu par un tiers privé ou par un distributeur non autorisé et non par un détaillant agréé Jabra est vendu « en l'état » et « tous défauts compris » en ce qui concerne Jabra. À ce titre, la totalité du risque en matière de qualité et de fonctionnement de ces produits sera à la charge de l'Acheteur si le distributeur non autorisé refuse de prendre en charge les frais de réparation impliqués en cas de défaut de fonctionnement. Si ces produits s'avèrent défectueux à la suite de leur achat, l'Acheteur ou le distributeur non autorisé (et non le fabricant ou ses revendeurs autorisés), devront prendre en charge l'intégralité des frais d'entretien et de réparation requis. En conséquence, il est fortement conseillé aux acheteurs de n'acheter les produits Jabra qu'auprès de revendeurs dûment agréés. LES GARANTIES CI-DESSUS SONT LES SEULES

GARANTIES, EXPRESSES OU IMPLICITES, ACCORDÉES PAR JABRA CONCERNANT LE PRODUIT. JABRA RÉFUTE TOUTE AUTRE GARANTIE, NOTAMMENT DE QUALITÉ MARCHANDE, DE CONVENANCE À UN USAGE QUELCONQUE ET DE VIOLATION DES DROITS DE TIERS. JABRA NE SERA RESPONSABLE D'AUCUN DOMMAGE SPÉCIAL, ACCIDENTEL OU CONSÉCUTIF SURVENU EN LIAISON AVEC LE PRODUIT, ET CELA MÊME SI JABRA A ÉTÉ INFORMÉE DE L'ÉVENTUALITÉ DE TELS DOMMAGES. LA RESPONSABILITÉ DE JABRA EN VERTU DES PRÉSENTES POUR TOUTE DEMANDE D'INDEMNISATION NE PEUT EXCÉDER LE MONTANT PAYÉ PAR L'ACHETEUR POUR LE PRODUIT À L'ORIGINE DE LA RESPONSABILITÉ DE JABRA.

12 Homologation et agréments de sécurité

FCC

Cet appareil est conforme à la partie 15 de la réglementation FCC. Le fonctionnement est soumis aux deux conditions suivantes : (1) Cet appareil ne peut pas provoquer d'interférences nuisibles; et (2) cet appareil doit accepter toute interférence à la réception, y compris une interférence susceptible de provoquer un fonctionnement non désiré.

Il est interdit aux utilisateurs d'apporter des changements ou de modifier cet appareil en aucune manière. Les changements ou modifications qui n'auront pas été expressément approuvés par Jabra rendront caduc le droit des utilisateurs à faire fonctionner cet équipement.

Cet équipement a été testé et il est considéré comme conforme aux conditions restrictives relatives à un appareil numérique de classe B, en vertu de la section 15 de la réglementation de la FCC. Ces conditions restrictives sont conçues pour fournir une protection raisonnable contre les interférences nuisibles dans le cadre d'une installation résidentielle. Cet équipement produit, utilise et émet une énergie de fréquence radio électrique. S'il n'est pas installé et utilisé conformément aux instructions, il est susceptible de produire des interférences nuisibles pour les communications radio. Il n'est cependant aucunement garanti que des interférences ne se produiront pas dans une installation donnée. Si l'équipement provoque effectivement des interférences indésirables au niveau de la réception radio ou télévision (ce qui pourra être déterminé en mettant l'appareil en marche et en l'éteignant), l'utilisateur peut essayer de corriger le problème par l'une ou plusieurs des mesures suivantes :

- Réorienter et repositionner l'antenne de réception.
- Augmenter l'espace entre l'équipement et le récepteur.
- Brancher l'équipement sur une prise d'un circuit différent de celui sur lequel le récepteur est branché.
- Consulter le détaillant ou bien un technicien radio/TV expérimenté pour obtenir de l'aide.

Pour respecter les normes d'exposition aux ondes radio de la FCC, l'utilisateur doit positionner la base à 20 cm (8 pouces) ou plus de tout employé.

Industrie Canada

Le fonctionnement de l'appareil est soumis aux deux conditions suivantes : (1) Cet appareil ne doit pas provoquer d'interférence nuisible; et (2) cet appareil doit accepter toute interférence, y compris une interférence susceptible de provoquer un fonctionnement non désiré de l'appareil.

La mention « IC » précédant le numéro de certification et/ou d'immatriculation signifie uniquement que l'immatriculation a été effectuée sur la base d'une déclaration de conformité indiquant que les spécifications techniques Industrie Canada ont bien été respectées. Le terme n'implique pas un agrément de l'équipement par Industrie Canada.

CE

Ce produit porte la marque CE conformément aux dispositions de la Directive 1999/5/CE (R&TTE).

GN Netcom déclare par la présente que ce produit est conforme aux principales exigences et autres dispositions pertinentes de la Directive 1999/5/CE.

Pour de plus amples informations, nous vous invitons à visiter le site <http://www.gnnetcom.com>

Bluetooth

La marque et le logo *Bluetooth*® sont la propriété de Bluetooth SIG, Inc. et toute utilisation de telles marques par Jabra est sous licence. Toutes autres marques et dénominations commerciales appartiennent à leurs propriétaires respectifs.

13 Glossaire

- 1 Bluetooth** est une technologie radio permettant de connecter des appareils, notamment un téléphone portable ou un micro-casque, sans fil ni cordon électrique, sur une courte distance (environ 10 mètres). Pour plus d'informations, rendez-vous sur le site www.bluetooth.com.
- 2 Les profils Bluetooth** sont les différentes manières dont les appareils Bluetooth communiquent avec d'autres appareils. Les téléphones Bluetooth prennent en charge soit le profil micro-casque, soit le profil mains-libres, soit les deux profils. Afin de prendre en charge un profil spécifique, le fabricant de téléphone doit intégrer certaines fonctions obligatoires dans le logiciel du téléphone.
- 3 Le jumelage** crée un lien unique et crypté entre deux appareils Bluetooth et leur permet de communiquer entre eux. Les appareils Bluetooth ne peuvent fonctionner ensemble sans avoir été d'abord jumelés.
- 4 Le mot de passe ou NIP** est un code que vous entrez dans votre téléphone portable afin d'effectuer un jumelage avec votre Jabra JX10. Il permet à votre téléphone et au Jabra JX10 de se reconnaître et de fonctionner automatiquement ensemble.
- 5 Le mode veille** est actif lorsque le Jabra JX10 attend passivement un appel. Lorsque vous « terminez » un appel sur votre téléphone portable, le micro-casque se place automatiquement en mode veille.

Español

Gracias	22
1. Carga del auricular	23
2. Cómo encender y apagar el auricular	24
3. Sincronización con su teléfono.....	24
4. Cómo llevarlo de la manera que quiera	24
5. Cómo.....	25
6. Significado de las luces.....	26
7. Uso de un adaptador Bluetooth Jabra	26
8. Resolución de problemas y preguntas más frecuentes.....	26
9. ¿Necesita más ayuda?	27
10. Cuidado del auricular	27
11. Garantía.....	28
12. Certificación y aprobaciones de seguridad.....	29
13. Glosario	30

Gracias

Gracias por adquirir el auricular Bluetooth® Jabra JX10. Esperamos que lo disfrute. Este manual de instrucciones le explicará cómo empezar a usarlo y cómo aprovecharlo al máximo.

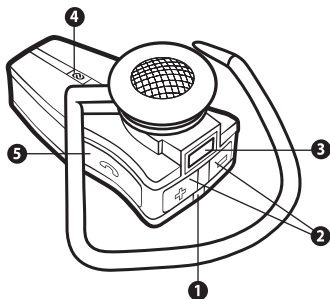
! Recuerde: lo prioritario es conducir, no hablar por teléfono.

Usar el teléfono móvil mientras se conduce puede provocar distracciones y aumentar la probabilidad de tener un accidente. Si las condiciones de circulación lo requieren (mal tiempo, gran densidad de tráfico, niños en el vehículo, carretera en mal estado...), aparte el vehículo de la vía y estacionéese antes de hacer o tomar llamadas. Intente también que las conversaciones sean cortas y no tome notas ni lea documentos.

Conduzca siempre de manera segura y respetando la legislación local.

Acerca del auricular Jabra JX10

- Indicador luminoso LED
 - La luz azul indica el modo (de sincronización, activo o de espera)
 - La luz roja o verde indica el nivel de la batería (baja, en carga o cargada)
- Subir volumen (+), bajar volumen (-)
- Toma de corriente
- Botón de sincronización – **presione** el botón hasta que el indicador LED quede iluminado en azul para poner el auricular en modo de sincronización
- Botón de respuesta/finalización
 - Presiónelo** para encender el auricular (una ráfaga de destellos azules indica que la operación finalizó sin errores)
 - Manténgalo presionado** para desconectar el auricular (una ráfaga de destellos azules indica que la operación finalizó sin errores)
 - Presiónelo brevemente** para responder o finalizar una llamada



Funciones de su auricular

El auricular Jabra JX10 le permite hacer todo esto

- Responder llamadas
- Finalizar llamadas
- Rechazar llamadas*
- Marcado activado por voz*
- Volver a marcar al último número*
- Llamada en espera*
- Retener una llamada*

*Depende del tipo de teléfono

Especificaciones

- Hasta 6 horas de conversación, hasta 200 horas en espera
- Batería recargable con opción de carga desde un cargador de corriente alterna (CA), un cable USB conectado a su PC, un cargador de escritorio o un cargador para el automóvil (no incluido)
- Pesa menos de 10 gramos
- Hasta 10 metros de alcance operativo
- Perfiles Bluetooth de auricular y manos libres
- Especificación Bluetooth (consulte el **glosario**) versión 1.2

Introducción

El funcionamiento del Jabra JX10 es sencillo. El botón de respuesta/finalización del auricular realiza distintas funciones dependiendo de cuánto tiempo se le presione.

Instrucción:	Tiempo presionado:
Tocar	Presione brevemente
Presionar	Aprox. 1 segundo
Mantener presionado	Aprox. 5 segundos

1 Carga del auricular

Compruebe que su auricular Jabra JX10 esté totalmente cargado antes de empezar a utilizarlo. Utilice el cargador de corriente alterna (CA) para cargarlo desde una toma de corriente o cárguelo directamente desde su PC con el cable USB incluido. Conecte su auricular tal como se muestra en la figura 2. Cuando el indicador LED quede iluminado de color rojo, su auricular se estará cargando. Cuando el indicador luminoso LED sea de color verde, estará totalmente cargado.

Carga desde el soporte de escritorio


Conecte su cable USB o su cargador de corriente alterna (CA) en el soporte de escritorio. Coloque el auricular JX10 en la base tal como se muestra en la figura 3.

2 Cómo encender y apagar el auricular

- **Presione** el botón de respuesta/finalización para encender el auricular. La luz azul (LED) muestra una ráfaga de destellos y a continuación parpadea cada 3 segundos.
- Para apagar el auricular, **mantenga presionado** el botón de respuesta/finalización hasta que vea una ráfaga de destellos.

3 Sincronización con su teléfono

Antes de usar el auricular Jabra JX10, deberá sincronizarlo con su teléfono móvil.

1. **Ponga el auricular en modo de sincronización**
 - Asegúrese de que el auricular esté encendido.
 - **Presione** el botón de sincronización marcado  hasta que el indicador (LED) quede iluminado en azul.
2. **Configure su teléfono Bluetooth para que 'detecte' el auricular Jabra JX10**
Siga las instrucciones de su teléfono. Normalmente tendrá que ir a un menú de 'configuración', 'conexión' o 'Bluetooth' **en su teléfono** y seleccionar la opción para detectar o agregar un dispositivo Bluetooth. **(Vea el ejemplo de un teléfono móvil estándar en la figura 6).*
3. **Su teléfono móvil detectará el auricular Jabra JX10**
Entonces el teléfono le preguntará si quiere sincronizarlo con él. Acepte presionando 'Sí' o 'Aceptar' en el teléfono y confirme con la **contraseña o PIN = 0000 (4 ceros)**.

Su teléfono le informará cuando haya finalizado la sincronización. En caso de error durante la sincronización, repita los pasos 1 a 3.

4 Cómo llevarlo de la manera que quiera

El auricular Jabra JX10 está listo para usarlo en la oreja derecha. Si prefiere la oreja izquierda, retire suavemente el gancho para oreja y rótelo para que se adapte a la oreja izquierda. **(Consulte la figura 4)**

Para conseguir un rendimiento óptimo, lleve el auricular Jabra JX10 y el teléfono móvil en el mismo lado de su cuerpo o manteniendo una línea de visión entre ellos. En general, conseguirá mejor rendimiento si no hay obstáculos entre el auricular y el teléfono móvil

5 Cómo...

Contestar una llamada

- **Presione brevemente** el botón de respuesta/finalización del auricular para responder a una llamada.

Finalizar una llamada

- **Presione brevemente** el botón de respuesta/finalización para finalizar una llamada activa.

Realizar una llamada

- Cuando haga una llamada desde su teléfono móvil, ésta (dependiendo de la configuración del teléfono) se transferirá automáticamente al auricular. Si su teléfono no permite esta función, presione brevemente el botón de respuesta/finalización del auricular Jabra JX10 para transferir la llamada al auricular.

Rechazar una llamada*

- **Presione** el botón de respuesta/finalización cuando suene el teléfono para rechazar una llamada entrante. Según la configuración de su teléfono, la persona que llama será redirigida a su correo de voz u oír una señal de ocupado.


Activar el marcado activado por voz*

- **Presione brevemente** el botón de respuesta/finalización. Para obtener los mejores resultados, grabe el identificador de marcado por voz a través del micrófono del auricular. Consulte el manual del usuario de su teléfono si necesita más información sobre la utilización de esta función.

Volver a marcar el último número*

- **Presione** el botón de respuesta/finalización.

Ajuste del sonido y el volumen

- **Presione** los botones de subir o bajar el volumen (+ o -) para ajustar el volumen. **(Consulte la figura 1 )**

Llamada en espera y cómo retener una llamada*

Esta función le permite retener una llamada durante una conversación y responder una llamada en espera.

- **Presione** el botón de respuesta/finalización una vez para retener la llamada activa y responder la llamada entrante.
- **Presione** el botón de respuesta/finalización para pasar de una llamada a otra.
- **Presione brevemente** el botón de respuesta/finalización para finalizar la conversación activa.

***Las funciones marcadas con * dependen de que su teléfono disponga de esas funciones. Si desea más información, consulte el manual del usuario de su teléfono.**

6 Significado de las luces

Qué se ve	Significado en el auricular
Luz azul parpadeante	Intermitente cada segundo: activo en una llamada
Luz azul parpadeante	Intermitente cada tres segundos: en modo de espera
Luz roja parpadeante	Con poca batería
Luz roja fija	Cargando
Luz verde fija	Carga completa
Luz azul fija	En modo de sincronización – consulte la sección 3

7 Uso de un adaptador Bluetooth Jabra

Si desea utilizar el auricular Jabra JX10 y su teléfono móvil no tiene Bluetooth, el adaptador Jabra A210 es la solución.

El adaptador Jabra A210 le ofrece una conexión inalámbrica con las siguientes funciones del auricular: responder/finalizar llamada, función de marcado activado por voz (si la admite el teléfono). Las funciones para rechazar llamada, volver a marcar el último número y retener una llamada pueden no funcionar a través del conector de auriculares del teléfono móvil.

Sincronización del auricular Jabra JX10 con el adaptador Jabra A210

El proceso de sincronización es un poco distinto:

- Coloque el auricular Jabra JX10 en modo de sincronización.
- Ponga el adaptador Jabra A210 en modo de sincronización
- Colóquelos cerca el uno del otro. Para sincronizar ambos productos Jabra no se necesita un código PIN exclusivo. Si desea más información, consulte el manual del usuario del adaptador Jabra A210.

Cómo realizar y responder una llamada con el adaptador Jabra A210

- Cuando haga una llamada desde su teléfono móvil, ésta se transferirá automáticamente al auricular (si está encendido).
- Para responder una llamada: **presione brevemente** el botón de respuesta/finalización del auricular o **presione** el botón de respuesta del teléfono móvil.

8 Resolución de problemas y preguntas más frecuentes

Se oyen ruidos

Para conseguir la mejor calidad de audio, lleve siempre el auricular al mismo lado del cuerpo que el teléfono móvil.

No se oye nada a través del auricular

- Aumente el volumen del auricular.
- Compruebe que el auricular esté sincronizado con el teléfono.
- Asegúrese de que el teléfono esté conectado con el auricular – si no logra conectarlo desde el menú Bluetooth del teléfono o presionando brevemente el botón de respuesta/finalización, siga las instrucciones de sincronización (**consulte la sección 3**).

Tengo problemas de sincronización, aunque mi teléfono indica lo contrario

Es posible que haya borrado de su teléfono móvil la conexión de sincronización del auricular. Siga las instrucciones de sincronización de la sección 3.

¿Funciona el auricular Jabra JX10 con otros equipos Bluetooth?

El Jabra JX10 está diseñado para funcionar con teléfonos móviles Bluetooth. También puede funcionar con otros dispositivos Bluetooth conformes con la norma Bluetooth versión 1.1 ó 1.2 que admitan un perfil de auricular o de manos libres.

Tenga en cuenta que:

Si el JX10 está completamente descargado cuando comience a cargarlo, pueden pasar un par de minutos antes de que se encienda el indicador luminoso (LED).

9 ¿Necesita más ayuda?

1. Web: **www.jabra.com** (para obtener la información de asistencia más reciente y manuales de usuario en línea)
2. Correo electrónico: Asistencia técnica: techsupp@jabra.com
Información: info@jabra.com
3. Teléfono: **1 (800) 327-2230** (teléfono gratuito en EE.UU.)
1 (603) 579-5311 (Canadá)

10 Cuidado del auricular

- Guarde siempre el auricular Jabra JX10 apagado y protegido de forma segura.
- Evite guardarlo en lugares con temperaturas extremas (mayores a 45°C/113°F – incluida la luz solar directa – o menores a -10°C/14°F). Esto puede reducir la vida útil de la batería y afectar su funcionamiento. Las temperaturas altas también pueden afectar el rendimiento. Las temperaturas bajas (hasta -10°C/14°F) reducirán la vida de la batería y afectarán al funcionamiento del auricular Jabra JX10, pero no lo dañarán de forma permanente.
- No exponga el auricular Jabra JX10 a lluvia u otros líquidos.

11 Garantía

Jabra (GN Netcom) garantiza que este producto no posee ningún defecto en el material o en la mano de obra Garantía limitada de productos Jabra. Jabra es una marca comercial que pertenece totalmente a GN Mobile (GN Netcom A/S). Jabra garantiza al Comprador que durante un período de un (1) año a partir de la fecha de compra ("Período de Garantía") de alguno de los productos de Jabra ("Producto") por parte del Comprador, el Producto cumplirá de manera sustancial con las especificaciones que Jabra ha publicado para el Producto en la fecha de la compra del Producto por parte del Comprador, conforme al presente documento. El Comprador deberá notificar a Jabra de cualquier incumplimiento durante el Período de Garantía y obtener de Jabra una autorización escrita de devolución de material ("RMA") y un número RMA para el producto en cuestión; además devolverá dicho Producto a Jabra, con portes pagados, con una declaración que describa el incumplimiento. La única obligación de Jabra respecto a productos en incumplimiento será, a criterio y costo de Jabra, la de reparar o sustituir dicho Producto para que cumpla de forma sustancial con las especificaciones publicadas en la fecha de la compra del Producto por parte del Comprador o, si Jabra, a criterio y costo de Jabra, determina que no es posible reparar o sustituir el Producto, Jabra puede reembolsar al Comprador el precio de compra que se pagó por el Producto. LO ANTERIOR ES EL ÚNICO Y EXCLUSIVO RESARCIMIENTO PARA EL COMPRADOR RESPECTO A CUALQUIER INCUMPLIMIENTO DE LA GARANTÍA POR PARTE DE JABRA CON RESPECTO AL PRODUCTO. La garantía descrita anteriormente no tendrá vigencia cuando el Producto no haya sido usado o manipulado correctamente de acuerdo con las instrucciones suministradas por Jabra, haya sido perdido o extraviado por cualquier razón, o haya sido modificado, reparado o alterado, salvo por Jabra o en una dependencia de servicio técnico autorizada por Jabra, o haya sido sometido a instalación errónea, mal uso, abuso, o tenga defectos atribuibles a cualquier fallo o daño que esté fuera del control razonable de Jabra. Esta garantía está disponible únicamente para el Comprador y no cubrirá a distribuidores, vendedores minoristas u otros revendedores del Producto. Esta garantía es válida únicamente para productos Jabra nuevos adquiridos en comercios minoristas autorizados. Esta garantía no tiene vigencia en el caso de: "compras de caja abierta", reventa por personas físicas o cualquier otra compra a terceros por distribuidores no autorizados. La transferencia de productos Jabra a través de cualquier distribuidor no autorizado anula y deja sin efecto nuestra garantía de fabricante. ADVERTENCIA AL COMPRADOR: todo producto de Jabra que se compre a una persona física o a un distribuidor no autorizado y no en un comercio minorista autorizado por Jabra se vende "tal cual" o "con todos sus fallos" en lo que respecta a Jabra. Como tal, el comprador correrá con todo el riesgo respecto a la calidad y el rendimiento de dichos productos si el distribuidor no autorizado no cubre el costo de la reparación de defectos. Si dichos productos resultan defectuosos después de su compra, el comprador o el distribuidor no autorizado, y no el fabricante o sus comercios minoristas autorizados, asumirá el costo total de cualquier

trabajo necesario de mantenimiento o reparación. Por lo tanto, se recomienda especialmente a los compradores que adquieran productos Jabra únicamente en comercios minoristas autorizados por Jabra. LAS GARANTÍAS ANTERIORES SON LAS ÚNICAS GARANTÍAS, EXPRESAS O IMPLÍCITAS, DADAS POR JABRA RESPECTO AL PRODUCTO, Y JABRA RECHAZA TODA OTRA GARANTÍA, INCLUIDAS GARANTÍAS DE COMERCIALIZACIÓN, ADECUACIÓN PARA UN PROPÓSITO DETERMINADO Y NO INFRACCIÓN DE DERECHOS DE TERCEROS. JABRA NO SERÁ RESPONSABLE POR LOS DAÑOS ESPECIALES, INCIDENTALES O CONSECUENTES RESPECTO AL PRODUCTO, INCLUSO SI SE LE HA ADVERTIDO A JABRA DE LA POSIBILIDAD DE DICHOS DAÑOS. LA RESPONSABILIDAD DE JABRA FRENTE A TODA RECLAMACIÓN CONFORME AL PRESENTE DOCUMENTO NO SUPERARÁ EL IMPORTE QUE EL COMPRADOR HA PAGADO A JABRA POR EL PRODUCTO EN CUESTIÓN.

12 Certificación y aprobaciones de seguridad

FCC

Este dispositivo cumple la Parte 15 de la Normativa FCC. Su operación está sujeta a las dos condiciones siguientes: (1) Este dispositivo no debe causar interferencias dañinas y (2) este dispositivo debe aceptar cualquier interferencia recibida, incluidas las que causen un funcionamiento no deseado.

No se permite a los usuarios efectuar cambios o modificar el dispositivo de modo alguno. Todo cambio o modificación que no tenga autorización expresa de Jabra invalidará la autoridad del usuario para utilizar el equipo.

Este equipo ha sido probado y se ha verificado que cumple los límites de un dispositivo digital de Clase B, conforme con la Parte 15 de la Normativa FCC. Estos límites están diseñados para proporcionar protección razonable contra interferencias dañinas en una instalación residencial. Este equipo genera, utiliza y puede radiar energía de radiofrecuencia y, en caso de no instalarse y utilizarse de acuerdo con las instrucciones, puede causar interferencias dañinas en las comunicaciones por radio. No obstante, no hay garantía de que no se produzcan interferencias en una instalación determinada. Si este equipo causa interferencias dañinas a la recepción de radio o televisión, lo cual puede determinarse encendiendo y apagando el equipo, se recomienda al usuario que intente corregir las interferencias con una o más de las siguientes medidas:

- Reorientar o reubicar la antena de recepción.
- Aumentar la distancia entre el equipo y el receptor.
- Conectar el equipo en un enchufe o circuito diferente al enchufe o circuito en el que está conectado el receptor.
- Consulte con el distribuidor o con un técnico experimentado en radio o televisión.

El usuario debe colocar la base a 20 cm. (8 pulgadas) o más de cualquier persona con el fin de cumplir los requisitos de exposición a RF de la FCC.



Industry Canada (Ministerio de Industria de Canadá)

Su operación está sujeta a las dos condiciones siguientes: (1) Este dispositivo no debe causar interferencias y (2) este dispositivo debe aceptar toda interferencia, incluidas las que causen un funcionamiento no deseado del dispositivo.

El término "IC:" que antecede al número de certificación/registro significa únicamente que el registro realizado se basó en una Declaración de Conformidad que indicaba el cumplimiento de las especificaciones técnicas de Industry Canada. No implica que Industry Canada haya aprobado el equipo.

CE

Este producto está marcado como CE conforme al texto de la Directiva R & TTE (99/5/EC).

Por medio de la presente, GN Netcom declara que este producto cumple con los requisitos básicos y otras normativas pertinentes de la Directiva 1999/5/EC.

Para obtener más información, visite <http://www.gnnetcom.com>.

Bluetooth

La marca *Bluetooth*® y los logotipos son propiedad de Bluetooth SIG, Inc. y cualquier uso de dichas marcas por Jabra se encuentra bajo licencia. Otras marcas y nombres comerciales son propiedad de sus respectivos titulares.

13 Glosario

- Bluetooth** es una tecnología de radio que conecta dispositivos como teléfonos móviles y auriculares sin usar cables y a una distancia corta (aproximadamente 10 metros). Si desea más información, visite www.bluetooth.com.
- Los perfiles de Bluetooth** son las diferentes maneras en las que los dispositivos Bluetooth se comunican con otros dispositivos. Los teléfonos móviles Bluetooth admiten los perfiles de auricular, de manos libres o ambos. Para admitir un perfil determinado, un fabricante de teléfonos debe aplicar determinadas características obligatorias en el software del teléfono.
- La sincronización** crea un enlace exclusivo y cifrado entre dos dispositivos Bluetooth que permite la comunicación entre ellos. Los dispositivos Bluetooth no funcionan entre ellos si no han sido sincronizados previamente.
- La contraseña o PIN** es un código que se introduce en el teléfono móvil para sincronizarlo con el Jabra JX10. De este modo, el teléfono y el Jabra JX10 se reconocen entre ellos y funcionan conjuntamente de modo automático.
- El modo de espera** es aquel en el cual el Jabra JX10 espera pasivamente una llamada. Cuando usted 'finaliza' una llamada en su teléfono móvil, el auricular pasa a modo de espera.

Português

Obrigado	32
1. Carregar o fone de ouvido	33
2. Ligar e desligar o fone de ouvido	34
3. Emparelhar com o telefone.....	34
4. Use-o da forma que desejar.....	34
5. Como.....	35
6. O que significam as luzes.....	36
7. Usando um adaptador Jabra Bluetooth.....	36
8. Resolução de problemas e perguntas freqüentes.....	36
9. Necessita de mais ajuda?	37
10. Cuidados com o fone de ouvido	37
11. Garantia.....	38
12. Certificação e aprovações de segurança.....	39
13. Glossário.....	40



Obrigado

Obrigado por adquirir o fone de ouvido Jabra JX10 Bluetooth®. Esperamos que você desfrute dele!
Este manual de instruções irá orientá-lo durante os primeiros passos e ajudá-lo a obter o maior rendimento do seu fone de ouvido.

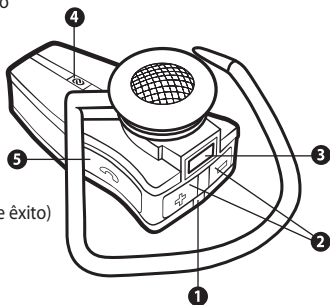
! Lembre-se, dirigir é a prioridade, não a chamada!!

A utilização de um celular enquanto dirige poderá distraí-lo e aumentar a probabilidade de um acidente vir a ocorrer. Se as condições de direção assim o exigirem (como más condições atmosféricas, a presença de crianças dentro do veículo, estrada em mau estado), encoste o veículo e estacione em um local seguro antes de iniciar ou atender chamadas telefônicas. Além disso, tente encurtar o tempo da conversa e não tome notas nem leia documentos.

Dirija sempre com segurança e respeite a legislação em vigor.

Sobre o Jabra JX10

1. Luz do LED
 - Azul indica o modo (emparelhamento, ativo ou em espera)
 - Vermelho/verde indica o nível da bateria (baixo, carregando ou carregada)
2. Aumentar (+) ou diminuir (-) volume
3. Encaixe para carregamento
4. Botão de emparelhamento – **pressione** até que a luz do LED fique azul indicando que o fone de ouvido está no modo de emparelhamento
5. Botão atender/encerrar uma chamada
 - **Pressione** para ligar o fone de ouvido (a centelha azul indica que você obteve êxito)
 - **Pressione e mantenha pressionado** para desligar o fone de ouvido (a centelha azul indica que você obteve êxito)
 - **Pressione brevemente** para atender ou encerrar uma chamada



O que o fone de ouvido pode fazer

O Jabra JX10 permite tudo isto

- Atender chamadas
- Encerrar chamadas
- Rejeitar chamadas*
- Discagem por voz*
- Rediscar o último número*
- Chamada em espera*
- Colocar uma chamada em espera*

* **Depende do telefone**

Características Técnicas

- Até 6 horas de conversação/200 horas de tempo de espera
- Bateria recarregável com opção de carregamento a partir de adaptador CA, no PC através do cabo USB, carregador do desktop ou para automóveis (não incluído)
- Inferior a 10 gramas
- Faixa operacional de até 10 metros
- Perfis de fone de ouvido e viva-voz Bluetooth
- Especificação do Bluetooth (consulte o **glossário**) versão 1.2

Introdução

O Jabra JX10 é fácil de operar. O botão atender/encerrar chamada do fone de ouvido realiza funções diferentes, dependendo do tempo durante o qual ele é pressionado.

Instruções:	Tempo pressionado:
Pressione brevemente	Pressione levemente
Pressione	Aprox.: 1 segundo
Mantenha press.	Aprox.: 5 segundos

1 Carregar o fone de ouvido

Antes de começar a utilizá-lo, assegure-se de que o fone de ouvido Jabra JX10 está totalmente carregado. Use o adaptador CA para carregar a partir de uma tomada ou carregue diretamente do PC com o cabo USB fornecido. Conecte o fone de ouvido como mostra a fig. 2. Quando o LED estiver vermelho fixo, o fone de ouvido estará carregando. Quando o LED estiver verde, significa que está totalmente carregado.

Carregar a partir do suporte para desktop

Conecte o cabo USB/adaptador CA ao suporte para desktop. Coloque o JX10 no suporte, como ilustrado na fig. 3


2 Ligar e desligar o fone de ouvido

- **Pressione** o botão de atender/encerrar chamadas para ligar o fone de ouvido. A luz azul (LED) pisca na forma de centelha e, em seguida, continua a piscar a cada 3 segundos.
- Para desligar o fone de ouvido, **pressione e mantenha pressionado** o botão atender/encerrar até você vir uma centelha.

3 Emparelhar com o telefone

Antes de utilizar o seu Jabra JX10, é necessário emparelhá-lo com o celular.

1. Coloque o fone de ouvido no modo de emparelhamento

- Assegure-se de que o fone de ouvido esteja ligado.
- **Pressione** o botão de emparelhamento marcado  até que a luz azul (LED) fique azul fixo.

2. Configure o telefone Bluetooth para 'detectar' o Jabra JX10

Siga o manual de instruções do telefone. Isso geralmente envolve percorrer um menu 'configurar', 'conectar' ou 'Bluetooth' **no telefone** e selecionar a opção de 'detectar' ou 'adicionar' um dispositivo Bluetooth. * (Ver exemplo de um telefone celular típico na fig. 6).

3. O seu telefone localizará o Jabra JX10

O telefone irá perguntar se você deseja emparelhá-lo. Aceite, pressionando 'Sim' ou 'OK' no telefone, e confirme com a **chave ou senha = 0000 (4 zeros)**.

O celular confirmará assim que o emparelhamento estiver concluído. Em caso de emparelhamento malsucedido, repita os passos de 1 a 3.

4 Use-o da forma que desejar

O Jabra JX10 está pronto para ser usado na orelha direita. Se preferir a esquerda, remova delicadamente o encaixe de ouvido e gire para encaixá-lo na orelha esquerda. (Ver fig. 4)

Para um ótimo desempenho, use o Jabra JX10 e o celular do mesmo lado do seu corpo ou dentro do mesmo campo de visão. Geralmente obtém-se um melhor desempenho quando não há obstruções entre o fone de ouvido e o celular.

5 Como...

Atender uma chamada

- **Pressione brevemente** o botão atender/encerrar chamada no fone de ouvido para atender uma chamada.

Encerrar uma chamada

- **Pressione brevemente** o botão atender/encerrar para encerrar uma chamada em andamento.

Fazer uma chamada

- Quando fizer uma chamada através do celular, a chamada (dependendo da configuração do telefone) será automaticamente transferida para o fone de ouvido. Se o seu telefone não permitir este recurso, pressione brevemente o botão atender/encerrar chamada do Jabra JX10, para transferir a chamada para o fone de ouvido.

Rejeitar uma chamada*

- **Pressione** o botão atender/encerrar quando o telefone tocar, para rejeitar uma chamada. Dependendo das configurações do telefone, a chamada será desviada para a caixa postal ou quem está ligando ouvirá um sinal de ocupado.


Ativar discagem por voz*

- **Pressione brevemente** o botão atender/encerrar chamada. Para obter melhores resultados, grave a marcação de discagem por voz através do fone de ouvido. Consulte o manual do telefone para obter mais informações sobre a utilização deste recurso.

Rediscar o último número*

- **Pressione** o botão atender/encerrar.

Ajustar o som e o volume

- **Pressione** o botão de volume para aumentar ou diminuir (+ ou -) o volume. (Veja a Fig. 1 )

Chamada em espera e colocando uma chamada em espera*

Isto permite colocar uma chamada em espera durante a conversação e responder uma chamada em espera.

- **Pressione** o botão atender/encerrar uma vez para colocar a chamada ativa em espera e atender a chamada em espera.
- **Pressione** o botão atender/encerrar chamadas para alternar entre as duas chamadas.
- **Pressione brevemente** o botão atender/encerrar para encerrar uma chamada em andamento.

*As funções marcadas com * dependem de o seu telefone suportar esses recursos. Verifique o manual de usuário do telefone para obter informações adicionais.

6 O que significam as luzes

O que se vê	O que isso significa no fone de ouvido
Luz azul intermitente	Piscando uma vez por segundo: chamada em andamento
Luz azul intermitente	Piscando de três em três segundos: em modo de espera
Luz vermelha intermitente	A bateria está ficando sem carga
Luz vermelha fixa	Carregando
Luz verde fixa	Totalmente carregado
Luz azul fixa	No modo de emparelhamento – consulte a seção 3

7 Usando um adaptador Jabra Bluetooth

Se desejar utilizar o Jabra JX10 com um celular que não suporte Bluetooth, a solução será o adaptador Jabra A210.

Ele proporciona conexão sem fios com os seguintes recursos para fone de ouvido: atender/ encerrar chamadas, discagem por voz (se for suportada pelo telefone). As funções de rejeitar uma chamada, rediscar o último número e colocar a chamada em espera podem não ser suportadas através do adaptador de fone de ouvido no celular.

Para emparelhar o Jabra JX10 com o Jabra A210

O processo de emparelhamento é ligeiramente diferente:

- Coloque o seu Jabra JX10 em modo de emparelhamento.
- Coloque o adaptador Jabra A210 em modo de emparelhamento.
- Aproxime-os. Não é necessária nenhuma senha exclusiva para emparelhar os dois produtos Jabra. Para obter mais informações, consulte o manual do usuário do Jabra A210.

Fazer/atender chamadas com o Jabra A210

- Quando fizer uma chamada com o celular, esta será automaticamente transferida para o fone de ouvido (se estiver ligado).
- Para atender uma chamada: **pressione brevemente** o botão atender/ encerrar chamadas no fone de ouvido ou **pressione** o botão atender do celular.

8 Resolução de problemas e perguntas freqüentes

Ouço estalos

Para obter a melhor qualidade de áudio, utilize sempre o fone de ouvido do mesmo lado do corpo que utilizar o celular.

Não ouço nada no meu fone de ouvido

- Aumente o volume do fone de ouvido.
- Assegure-se de que o fone de ouvido está emparelhado com o celular.
- Verifique se o telefone está conectado ao fone de ouvido. Caso o telefone não se conecte a partir do menu Bluetooth ou pressionando-se brevemente o botão atender/encerrar chamada, siga o procedimento de emparelhamento (**ver seção 3**).

Estou com problemas ao emparelhar, embora o telefone indique o contrário

Você pode ter excluído o emparelhamento do fone de ouvido com o celular. Siga as instruções de emparelhamento descritas na Seção 3.

O Jabra JX10 é compatível com outros equipamentos Bluetooth?

O Jabra JX10 foi concebido para funcionar com celulares Bluetooth. Também poderá funcionar com outros equipamentos Bluetooth que sejam compatíveis com as versões Bluetooth 1.1 e 1.2 e suportem um perfil de fone de ouvido ou viva-voz.

Observe que:

Se o JX10 estiver completamente descarregado ao iniciar a carga, serão necessários alguns minutos até que a luz indicadora de carga (LED) acenda.

9 Necessita de mais ajuda?

1. Web: www.jabra.com (para as mais recentes informações de suporte e Manuais de Usuário on-line)
2. E-mail: Suporte técnico: techsupp@jabra.com
Informações: info@jabra.com
3. Telefone: **1 (800) 327-2230** (ligação gratuita nos EUA e Canadá)
1 (603) 579-5311 (Canadá)

10 Cuidados com o fone de ouvido

- Guarde sempre o Jabra JX10 desligado e em local protegido.
- Evite guardar o fone de ouvido em locais com temperaturas extremas (acima de 45°C, incluindo luz solar direta, ou abaixo de -10°C). Isso pode diminuir a vida da bateria e afetar o funcionamento. Temperaturas altas também podem afetar o desempenho. Temperaturas baixas (abaixo de -10°C) encurtam a duração da bateria e podem afetar o funcionamento, mas não devem danificar permanentemente o Jabra JX10.
- Não exponha o Jabra JX10 à chuva nem outros líquidos.

11 Garantia

A Jabra (GN Netcom) garante este produto contra todos os defeitos materiais e de mão de obra Garantia limitada do produto Jabra. Jabra é uma marca comercial de propriedade integral da GN Mobile (GN Netcom A/S). A Jabra garante ao Comprador que, pelo período de 1 (um) ano após a data de compra (o "Período de garantia") de qualquer produto Jabra ("Produto") pelo Comprador, o produto estará substancialmente, conforme as especificações publicadas pela Jabra para o produto na data da compra deste pelo Comprador, sujeito às condições aqui descritas. O Comprador notificará a Jabra sobre qualquer não conformidade durante o Período de garantia e obterá uma autorização de devolução de material ("RMA") por escrito, além de um número RMA do Produto que não está em conformidade, da Jabra, e devolverá o produto à Jabra, com o frete pago antecipadamente e uma declaração por escrito da não conformidade. A obrigação exclusiva da Jabra com relação à não conformidade será, à opção e despesa da Jabra, consertar ou substituir tal Produto, de forma que ele esteja substancialmente em conformidade com as suas especificações publicadas na data da aquisição pelo Comprador ou, no caso da Jabra, a critério exclusivo da Jabra, determinar a não possibilidade de conserto ou substituição do Produto, a Jabra poderá, a sua opção, reembolsar o Comprador no preço de compra pago pelo Produto. O EXPOSTO ANTERIORMENTE É A SOLUÇÃO ÚNICA E EXCLUSIVA DO COMPRADOR PARA A QUEBRA DA GARANTIA PELA JABRA RELACIONADA AO PRODUTO. A garantia estabelecida acima não se aplicará a nenhum Produto que não tenha sido corretamente usado ou manipulado de acordo com as instruções fornecidas pela Jabra, perdido ou colocado no lugar errado por qualquer razão ou modificado, consertado ou alterado, exceto pela Jabra ou em um local de serviços autorizados Jabra, ou que tenha sido submetido a uma instalação falha, uso impróprio, abuso do Produto, ou cujo defeito seja atribuível a alguma falha ou defeito que esteja além do controle razoável da Jabra. Esta garantia está disponível apenas para o Comprador e não se estende a nenhum distribuidor, varejista ou demais revendedores do Produto. Esta garantia se aplica apenas a produtos novos Jabra, adquiridos de revendedores varejistas autorizados. Esta garantia não se aplica a "compras com caixa aberta", vendas por particulares ou nenhuma outra compra de terceiros por distribuidores não autorizados. A transferência de produtos Jabra por meio de qualquer distribuidor não autorizado torna a nossa garantia de fabricante nula e sem validade legal. PRECAUÇÃO DO COMPRADOR: qualquer produto Jabra vendido por particulares ou distribuidores não autorizados, e não por um revendedor varejista autorizado pela Jabra é vendido "no estado em que se encontra" ou "com todas as falhas", com relação à Jabra. Como tal, o risco total quanto à qualidade e ao desempenho de tais produtos cabe ao comprador, caso o distribuidor não autorizado não cubra os custos de reparo dos defeitos. Caso tais produtos se mostrem defeituosos após a compra, o comprador ou distribuidor não autorizado, e não o fabricante ou os seus revendedores varejistas não autorizados, assume o custo total de todo o serviço ou conserto necessário. Portanto, estimulamos com veemência a compra dos produtos Jabra

38

apenas de revendedores varejistas autorizados. AS GARANTIAS ANTERIORES SÃO AS GARANTIAS EXCLUSIVAS, EXPLÍCITAS OU IMPLÍCITAS, FORNECIDAS PELA JABRA EM CONJUNTO COM O PRODUTO; A JABRA SE ISENTA DE TODAS AS DEMAIS GARANTIAS, INCLUINDO GARANTIAS DE COMERCIALIZAÇÃO, ADEQUAÇÃO PARA UM FIM ESPECÍFICO E NÃO INFRAÇÃO DE DIREITOS DE TERCEIROS. A JABRA NÃO SE RESPONSABILIZARÁ POR NENHUM DANO ESPECIAL, ACIDENTAL OU RESULTANTE EM CONJUNTO COM O PRODUTO, AINDA QUE A JABRA TENHA SIDO AVISADA SOBRE A POSSIBILIDADE DE TAIS DANOS. A RESPONSABILIDADE DA JABRA, DE ACORDO COM ESTE DOCUMENTO, PARA TODAS AS REIVINDICAÇÕES, NÃO DEVERÁ EXCEDER O MONTANTE PAGO PELO COMPRADOR À JABRA NA AQUISIÇÃO DO PRODUTO, DANDO SURGIMENTO À OBRIGAÇÃO DA JABRA.

12 Certificação e aprovações de segurança

FCC

Este dispositivo atende às normas da FCC parte 15. Sua operação está sujeita a duas condições: (1) Este dispositivo não pode causar interferências que sejam prejudiciais; e (2) este dispositivo deve aceitar qualquer interferência recebida, inclusive interferências que possam prejudicar o seu funcionamento.

Os usuários não têm permissão, de forma alguma, de efetuar alterações ou modificar o dispositivo. As alterações ou modificações não aprovadas expressamente pela Jabra anularão a autoridade do usuário de operar o equipamento.

Este equipamento foi testado e aprovado como estando de acordo com os limites para dispositivos digitais de Classe B segundo a parte 15 dos Regulamentos da FCC. Esses limites foram criados para fornecer uma proteção razoável contra interferência prejudicial, quando o produto é operado em um ambiente residencial. Este equipamento gera, utiliza e pode irradiar energia de radiofrequência e, se não for instalado e usado de acordo com as instruções, pode causar interferência prejudicial às comunicações de rádio. Entretanto, não há garantia de que tal interferência não ocorrerá em uma instalação particular. Se o equipamento causar interferência prejudicial à recepção de rádio ou televisão, o que pode ser determinado ligando-se e desligando-se o equipamento, recomenda-se que o usuário tente corrigir a interferência por meio de uma das medidas a seguir:

- Reorientar ou mudar o local da antena de recepção.
- Aumentar a distância entre o equipamento e o receptor.
- Conectar o equipamento a uma tomada, em um circuito diferente daquele ao qual o receptor está conectado.
- Consultar o revendedor ou um técnico de rádio/TV experiente para obter auxílio.

O usuário deve colocar a base a 20 cm ou mais de qualquer pessoa para que atenda às exigências de exposição de RF da FCC.

39



Indústria do Canadá

Sua operação está sujeita a duas condições a seguir: (1) Este dispositivo não pode causar interferências; e (2) este dispositivo deve aceitar qualquer interferência, inclusive interferências que possam prejudicar o seu funcionamento.

O termo "IC": antes do número do certificado/registo somente significa que o registo foi efetuado com base na Declaração de Conformidade indicando que foram atendidas as especificações técnicas da Indústria do Canadá. Ele não implica que a Indústria do Canadá aprovou o equipamento.

CE

Este produto tem a marca CE de acordo com as disposições da Diretiva R & TTE (99/5/EC).

Pelo presente, a Jabra declara que este produto obedece aos requisitos essenciais e a outras disposições relevantes da Diretiva 1999/5/EC. Para obter mais informações, consulte <http://www.gnnetcom.com>.

Bluetooth

A palavra-marca e os logos *Bluetooth*® são de propriedade da Bluetooth SIG, Inc. e qualquer utilização de tais marcas pela Jabra está licenciada. As demais marcas registradas incluídas neste documento são propriedade de seus respectivos donos.

13 Glossário

- 1 Bluetooth** é uma tecnologia de rádio que conecta aparelhos, como celulares e fones de ouvido, sem fios nem cabos, a uma curta distância (aprox. 10 metros). Obtenha mais informações em www.bluetooth.com.
- 2 Os perfis Bluetooth** são formas diferentes por meio das quais os aparelhos Bluetooth se comunicam com outros dispositivos. Os telefones Bluetooth suportam o perfil de fone de ouvido, viva-voz ou ambos. Para suportar um certo perfil, o fabricante do telefone terá que implementar alguns recursos obrigatórios no software do telefone.
- 3 Emparelhamento** cria uma conexão única e criptografada entre dois aparelhos Bluetooth e permite a comunicação entre eles. Os dispositivos Bluetooth não funcionam se não tiverem sido emparelhados.
- 4 A chave ou senha** é um código que você digita no seu celular para emparelhá-lo com o Jabra JX10. Isto faz com que o telefone e o Jabra JX10 se reconheçam mutuamente e funcionem automaticamente em conjunto.
- 5 Modo em espera** é quando o Jabra JX10 está passivamente aguardando uma chamada. Quando 'se encerra' uma chamada no celular, o fone de ouvido fica em modo de espera.



Free Manuals Download Website

<http://myh66.com>

<http://usermanuals.us>

<http://www.somanuals.com>

<http://www.4manuals.cc>

<http://www.manual-lib.com>

<http://www.404manual.com>

<http://www.luxmanual.com>

<http://aubethermostatmanual.com>

Golf course search by state

<http://golfingnear.com>

Email search by domain

<http://emailbydomain.com>

Auto manuals search

<http://auto.somanuals.com>

TV manuals search

<http://tv.somanuals.com>