

INSTALLATION MANUAL



SP-CEIL-012

InFocus Corporation
27700B S.W. Parkway Ave.
Wilsonville, OR 97070-9215
1-800-294-6400
www.infocus.com



Table of Contents

Warning Statements	- 4 -
Parts List	- 5 -
Installation Tools	- 5 -
Ceiling and Wall Installation	- 6 -
Adjustable Height	- 7 -
Adjustments and Extension Arm	- 8 -
Mount Installation	- 9 -
Troubleshooting Procedures	- 11 -
Technical Specifications	- 12 -
Warranty	- 13 -
Contact InFocus Corporation	- 13 -
Notes	- 14 -

Warning Statements

WARNING: THE CEILING STRUCTURE MUST BE CAPABLE OF SUPPORTING AT LEAST FIVE (5) TIMES THE WEIGHT OF THE PROJECTOR. IF NOT, THE CEILING MUST BE REINFORCED. PROPER INSTALLATION PROCEDURE BY A QUALIFIED SERVICE TECHNICIAN, AS OUTLINED IN THE INSTALLATION INSTRUCTIONS, MUST BE ADHERED TO. FAILURE TO DO SO COULD RESULT IN SERIOUS PERSONAL INJURY, OR EVEN DEATH.

WARNING: SAFETY MEASURES MUST BE PRACTICED AT ALL TIMES DURING THE INSTALLATION OF THIS PRODUCT. USE PROPER SAFETY GEAR AND TOOLS FOR THE INSTALLATION PROCEDURE TO PREVENT PERSONAL INJURY.

WARNING: PRIOR TO THE INSTALLATION OF THIS PRODUCT, THE INSTALLATION INSTRUCTIONS SHOULD BE READ AND COMPLETELY UNDERSTOOD. THE INSTALLATION INSTRUCTIONS MUST BE READ TO PREVENT PERSONAL INJURY AND PROPERTY DAMAGE. KEEP THESE INSTALLATION INSTRUCTIONS IN AN EASILY ACCESSIBLE LOCATION FOR FUTURE REFERENCE.



Indicates that the power plug is to be disconnected from the power outlet.



Contact InFocus Corporation with any questions.



Safety precautions must be taken at all times.



Warning and Caution statements.



A secure structure must support the weight, or load, of the projector. When mounting to a ceiling that contains wooden studs, dead center of the wooden stud must be confirmed prior to installation.



Do not install on a structure that is prone to vibration, movement or chance of impact. Failure to do so could result in damage to the projector and/or damage to the mounting surface.



Do not install near heater, fireplace, direct sunlight, air conditioning or any other source of direct heat energy. Failure to do so may result in damage to the projector and could increase the risk of fire.



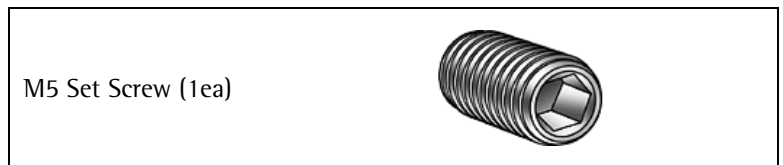
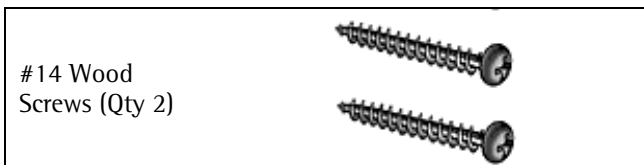
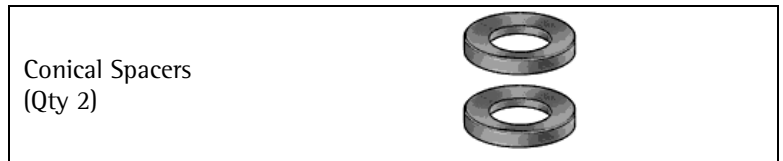
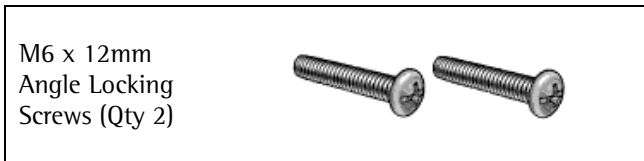
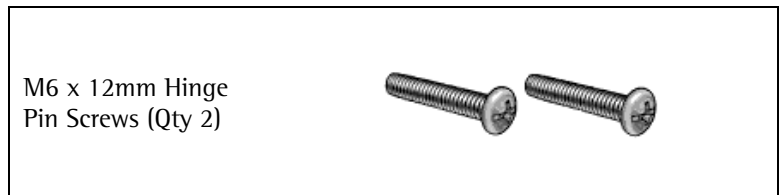
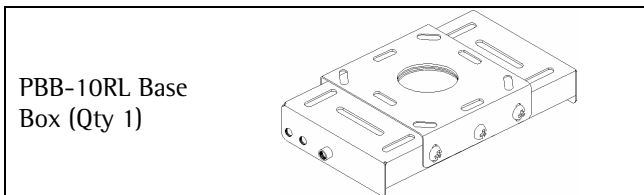
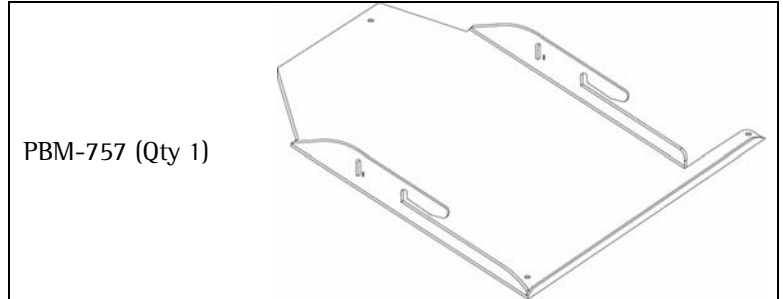
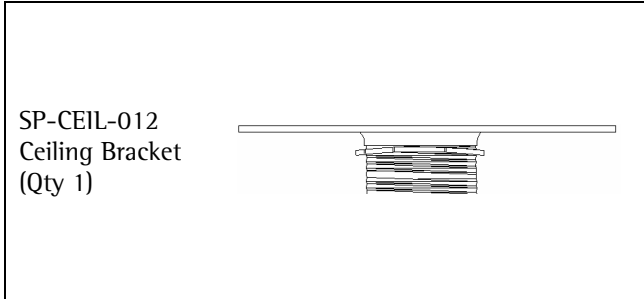
At least two qualified people should perform the installation procedure. Injury and/or damage can result from dropping or mishandling the projector.



Recommended mounting surfaces: wooden studs and solid-flat concrete. If the mount is to be installed on any surface other than wooden studs, use suitable hardware (which is commercially available).

Parts List

NOTE: This mount is shipped with all proper installation hardware and components. Make sure that none of these parts are missing and/or damaged before beginning installation. If there are parts missing and/or damaged, please stop the installation and contact InFocus Corporation (800-294-6400).



Installation Tools

Phillips Head Screw Driver
Soft Material/ Blanket
1/8" Drill Bit
Tape Measure
Ladder

Portable Drill
Pencil
Level
M5 Allen Wrench

Ceiling and Wall Installation

Unpack the Gyrolock® and review any WARNING statements that apply to the installation. Select the desired location for the Gyrolock®. There are three mounting points for a single stud installation and four mounting points for a solid structure installation.

NOTE: Pre-drill all holes (pilot hole – 1/8" drill bit).

Single Stud Installation

1. Locate the center of the single stud where the Gyrolock® will be installed. The two (2) center mounting points for this installation must be used. Use a stud finder to locate the stud that will be used to mount the PBL (ceiling or wall). It is advised that all holes be pre-drilled with a 1/8" drill bit.
2. Secure the upper plate to the single stud with the two (2) #14 wood screws (supplied).
3. Start to secure the plate to the outer mounting points first. The plate may travel 1/2" front to back from center.
4. Secure the final wood screw to the center of the upper plate (Figure 1).

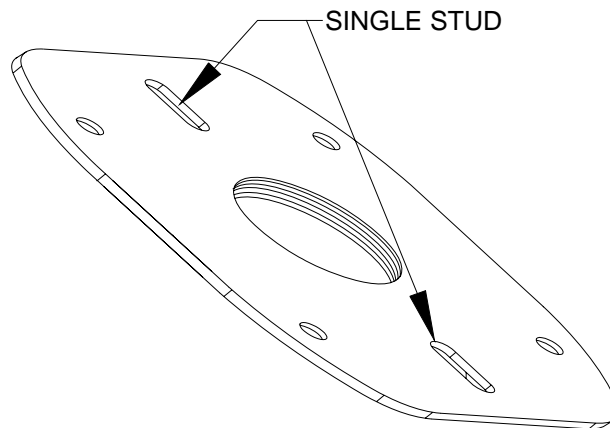


Figure 1. Single Stud Installation

Adjustable Height

1. Screw the fully threaded nipple all the way into the secured top plate. Use the jam screw (supplied) to secure the pipe (Figure 2).
2. Screw the PBC coupling all the way onto the threaded nipple or (optional) 1-1/2" pipe and secure the M6 x 12 Phillip screw (Figure 3).

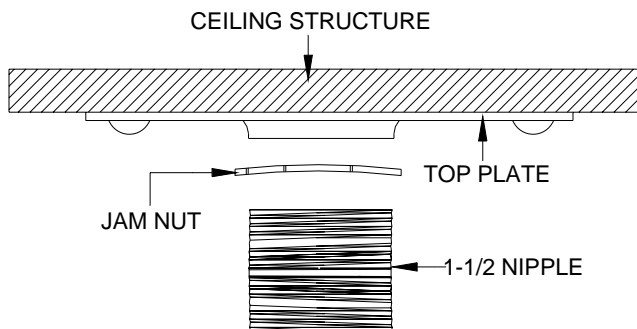


Figure 2. Height Adjustment

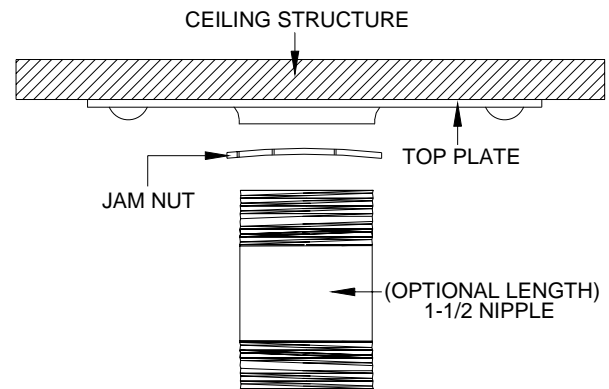


Figure 3. PBL Positioning

WARNING: Make sure you don't remove the two (2) 8mm screws completely from the extension column when adjusting the height. Failure to do so may result in personal injury and damage to the projector. Simply loosen, adjust and tighten screws.

Adjustments and Extension Arm

SP-EXTARM-01
SP-EXTARM-02
SP-EXTARM-03
SP-EXTARM-04

Contact InFocus for extensions.

Adjustments

- Roll & pitch greater than $\pm 20^\circ$ from center.
- Quick positive release with positive security lock.
- 360° yaw.
- Cables can be routed inside the adjustable column of 1.5" piping.

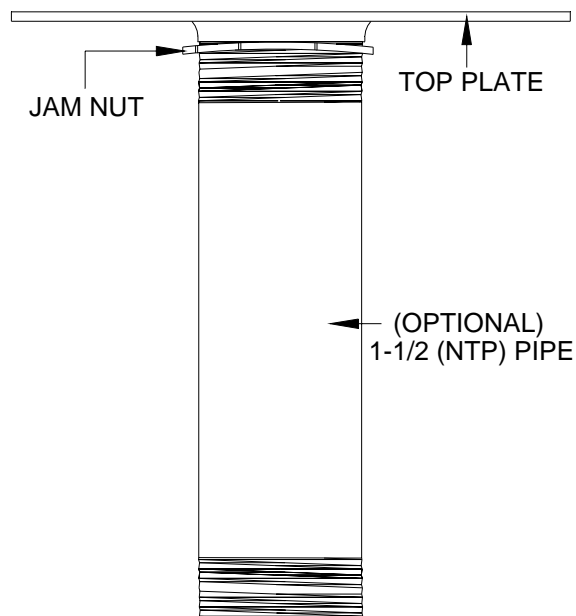


Figure 4. Extensions Pipe (Optional)

Mount Installation

1. Invert the projector and place it on a soft and flat surface. Locate the three (3) 6 (mm) mounting points found on the bottom of the projector.
2. Secure the mounting bracket using the three (3) 6 (mm) x 12 (mm) Phillip Head screws (supplied).
3. Do not over tighten the screws!

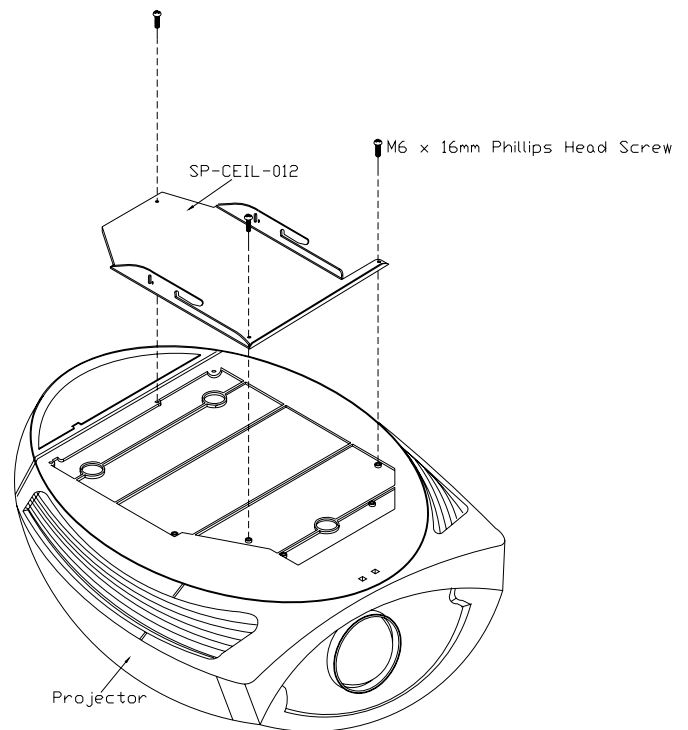


Figure 5

1. Install the base box securely to the ceiling structure in accordance with proper commercial standards. Use (commercially available) suitable hardware depending on the installation requirements.

NOTE: If an extension adapter is to be used, InFocus has a variety of different adapters that can be purchased. Please contact Customer Service.

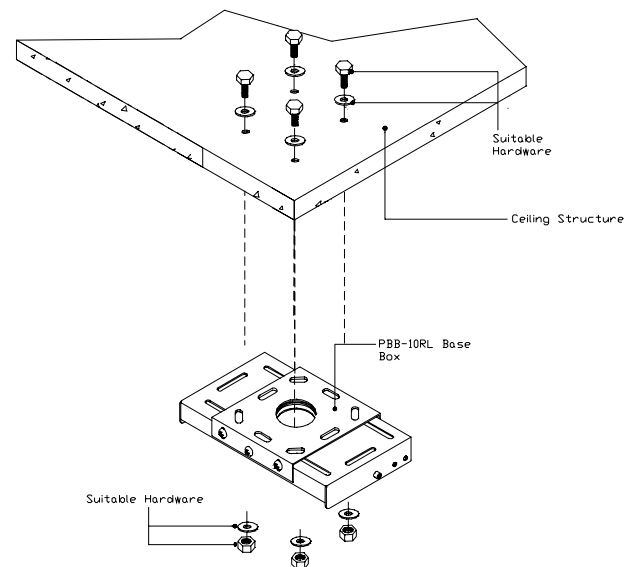


Figure 6

1. Install the two (2) conical spacers and two (2) flat washers two, (2) hinge pin screws loosely on both sides of the base box.
2. Raise the projector with the mounting bracket attached and slip through the hinge pin slots openings on the bracket into the base box.
3. Install the two (2) angle locking screws adjust the angle, lock it, and then tighten the hinge pin screws.

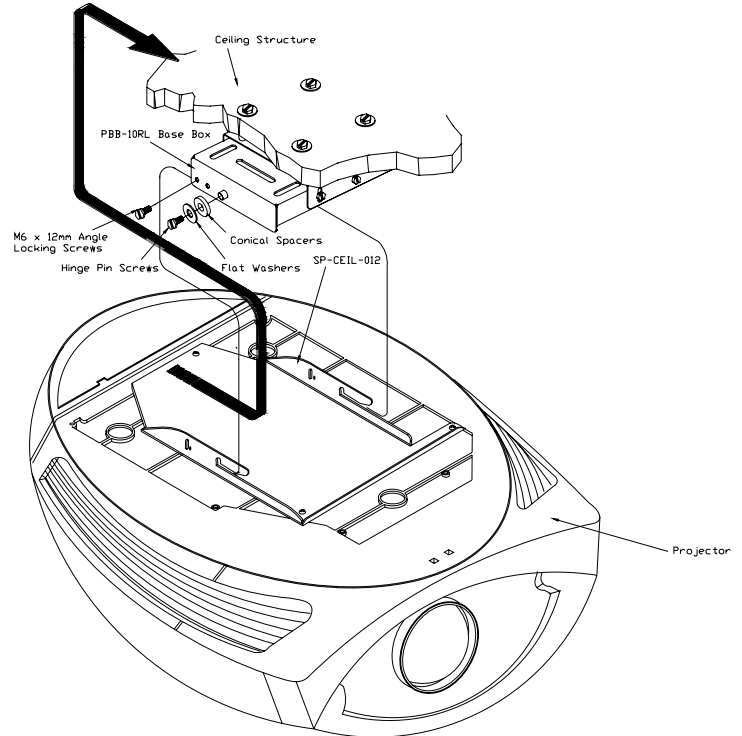


Figure 7

1. Check all the hardware for proper tightness and security. Do not over tighten hardware.
1. Install the two (2) conical spacers and two (2) flat washers, two (2) hinge pin screws loosely on both sides of the base box.
2. Raise the projector with the mounting bracket attached and slip through the hinge pin slots openings on the bracket into the base box.
3. Install the two (2) angle locking screws adjust the angle, lock it, and then tighten the hinge pin screws.

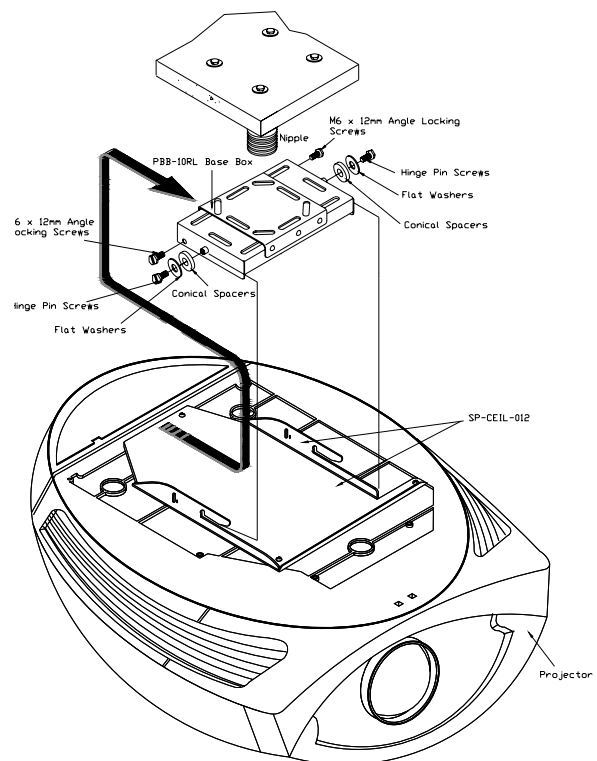


Figure 8

Troubleshooting Procedures

QUESTION: My projector mount must be set at an angle to be viewed properly on the wall, but the projector will not hold at this position. Why is this?

ANSWER: The angle adjustments are not tight; they must be tightened.

QUESTION: Why won't my bracket fit my projector?

ANSWER: There may be several mounting positions for your particular bracket. Try to line up the holes on the bracket with the mounting points on the projector. If this still does not solve the problem, then contact Customer Service and advise them of the situation.

Technical Specifications

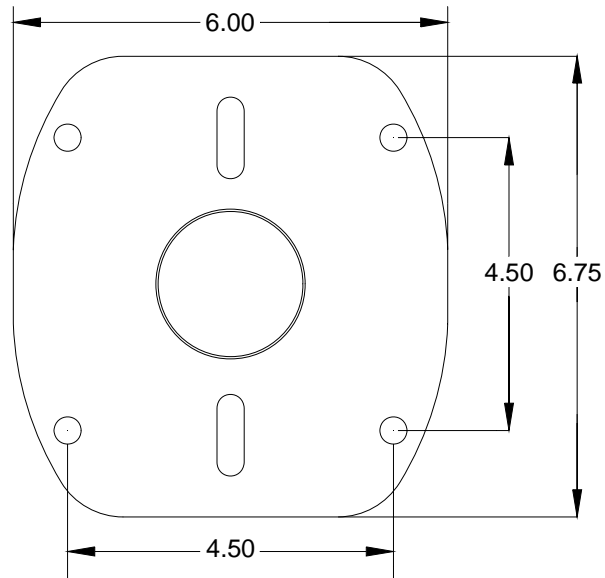


Figure 5. Technical Dimensions

Warranty

Limited Lifetime Warranty

All products carry a limited lifetime warranty from ship date against defects in materials and workmanship. InFocus Corporation is not liable for improper installation that results in damage to mounts, adapters, display equipment or personal injury.

Contact InFocus Corporation

In the event of missing and/or damaged equipment, or technical questions, the following information can help in the completion of the installation.

Customer Service – (800) 294-6400

Notes



InFocus Corporation
27700B S.W. Parkway Ave.
Wilsonville, OR 97070-9215
1-800-294-6400
www.infocus.com

Free Manuals Download Website

<http://myh66.com>

<http://usermanuals.us>

<http://www.somanuals.com>

<http://www.4manuals.cc>

<http://www.manual-lib.com>

<http://www.404manual.com>

<http://www.luxmanual.com>

<http://aubethermostatmanual.com>

Golf course search by state

<http://golfingnear.com>

Email search by domain

<http://emailbydomain.com>

Auto manuals search

<http://auto.somanuals.com>

TV manuals search

<http://tv.somanuals.com>