



**COMFORT PLUS
WHIRLPOOL BATH SERIES**

INSTALLATION AND OPERATION INSTRUCTIONS

Jacuzzi® Luxury Bath

14525 Monte Vista Avenue
Chino, CA 91710
1-800-288-4002
www.jacuzzi.com

Contents

Contents.....	3
Product Information.....	3
Safety Instructions.....	4
Operational Safety Instructions.....	6
Inspection and Testing.....	8
Framing and Support.....	8
Electrical Connections.....	9
Drop-in Installation.....	11
3-Wall Alcove Installation.....	12
Skirt Installation.....	13
Undermount Installation.....	13
Cleanup.....	14
General Operation Information.....	14
Whirlpool Operation.....	14
Controlling Whirlpool Direction and Flow.....	15
Purging the Whirlpool System.....	15
Bathtub Additives.....	16
Maintenance.....	16
Troubleshooting Procedures.....	17
Technical Specifications.....	18
Authorized Service.....	26
Warranty.....	27

Product Information

Save these instructions for future use. Use the form below to record your model and serial number for future reference.

Date Purchased _____

Purchased From _____

Installed By _____

Serial Number _____

Model _____

Installer: Leave the manual for the homeowner.

Homeowner: Read this manual and keep for future reference.

Safety Instructions

INSTRUCTIONS PERTAINING TO A RISK OF FIRE, ELECTRIC SHOCK, OR INJURY TO PERSONS.

This is a professional grade product. A knowledge of construction techniques, plumbing and electrical installation according to codes are required for proper installation and user satisfaction. We recommend that a licensed contractor perform the installation of all Jacuzzi® Luxury Bath products. Our warranty does not cover improper installation related problems.



CAUTION: When using this unit, basic precautions should always be performed, including the following:

• **READ AND FOLLOW ALL INSTRUCTIONS. SAVE THESE INSTRUCTIONS.**

- Use this unit only for its intended use as described in this manual. Do not use attachments not recommended by the manufacturer.
- Never drop or insert any object into any opening.



WARNING: RISK OF ACCIDENTAL INJURY OR DROWNING!

Do not permit children to use this unit unless they are closely supervised at all times. Do not use hydromassage bathtubs unless all suction guards are installed to prevent body and hair entrapment. Never operate the hydromassage bath if the suction cover is broken, damaged or missing



DANGER: RISK OF SEVERE INJURY FROM ELECTRIC SHOCK OR DEATH FROM ELECTROCUTION!











This unit must be connected only to a supply circuit that is protected by a 15 amp ground fault circuit interrupter (GFCI). Such a GFCI should be provided by the installer and should be tested on a routine basis. Follow the manufacturer's instructions when testing the GFCI. The GFCI should interrupt power. Push the reset button. Power should be restored. If the GFCI fails to operate in this manner, the GFCI is defective. If the GFCI interrupts power to the bathtub without the test button being pushed, a ground current is flowing, indicating a possibility of an electric shock. Do not use this hydromassage bathtub. Disconnect the hydromassage bathtub and have the problem corrected by a qualified service representative before using.



WARNING: RISK OF ELECTRIC SHOCK!

Do not permit electrical appliances (such as a hair dryer, lamp, telephone, radio or television) within 60" (1524mm) of this hydromassage bathtub. Connect only to a circuit protected by a ground fault circuit interrupter (GFCI). (For permanently connected units) A green colored terminal (or a wire connector) marked "G," "GR," "GROUND," or "GROUNDING" is provided within the terminal compartment. To reduce the risk of electric shock, connect the terminal or connector to the grounding terminal of your electric service or supply panel with a conductor equivalent in size to the circuit conductors supplying the equipment.

Safety Instructions (Cont)

-  **WARNING:** Do not operate this unit without the guard over the intake for the circulation pump (suction cover/strainer).
-  **CAUTION:** This equipment is intended for indoor use only. Install the equipment in accordance with these instructions. Use supply wires that are suitable for 167°F (75°C), including the temperature rating of the supply conductors to be used. This unit should be electrically grounded and installed by a licensed contractor, electrician, and plumber. Building materials and wiring should be routed away from the motor/pump or blower or other heat producing components of this unit. A pressure wire connector is provided on the exterior of the motor/pump and heater to permit connection of an No. 8 AWG solid copper bonding conductor between this unit and all other electric equipment and exposed metal in the vicinity, as needed to comply with local requirements.
-  When using this electrical equipment, basic safety precautions should always be followed, including the following:
-  **WARNING:**RISK OF ACCIDENTAL INJURY OR DROWNING! CHILDREN SHOULD NOT USE HYDROMASSAGE BATHTUB WITHOUT ADULT SUPERVISION.
-  **WARNING:**RISK OF ACCIDENTAL INJURY OR DROWNING! DO NOT USE HYDROMASSAGE BATHTUB UNLESS ALL SUCTION GUARDS ARE INSTALLED TO PREVENT BODY AND HAIR ENTRAPMENT.
-  **WARNING:**TO AVOID INJURY, EXERCISE CARE WHEN ENTERING OR EXITING THE HYDROMASSAGE BATHTUB.
-  **WARNING:**RISK OF ACCIDENTAL INJURY OR DROWNING! DO NOT USE DRUGS OR ALCOHOL BEFORE OR DURING THE USE OF A HYDROMASSAGE BATHTUB EQUIPPED WITH A HEATER TO AVOID UNCONSCIOUSNESS AND POSSIBLE DROWNING.
-  **WARNING:**RISK OF FETAL INJURY! PREGNANT OR POSSIBLY PREGNANT WOMEN SHOULD CONSULT A PHYSICIAN BEFORE USING A HYDROMASSAGE BATHTUB EQUIPPED WITH A HEATER.
-  **WARNING:**RISK OF HYPERTHERMIA AND POSSIBLE DROWNING: DO NOT USE A HYDROMASSAGE BATHTUB EQUIPPED WITH A HEATER IMMEDIATELY FOLLOWING STRENUOUS EXERCISE.
-  **SAVE THESE INSTRUCTIONS .**

Operational Safety Instructions**WARNING:**

RISK OF HYPERTHERMIA AND POSSIBLE DROWNING!
Do not use a hydromassage bathtub equipped with a heater immediately following strenuous exercise.

**WARNING:**

RISK OF ELECTRICAL SHOCK!

- Do not operate hydromassage system unless the bath is filled with water to at least 1-2" (25-51 mm) above the highest jet.
- Do not immerse the control panel by overfilling the bath.
- When cleaning your bath, do not use abrasive substances which will damage the bath's surface.
- To prevent discoloration of the acrylic finish, do not fill the bath with water in excess of 140°F (60°C).

**WARNING:**

PROLONGED IMMERSION IN HOT WATER MAY INDUCE HYPERTHERMIA!

Hyperthermia occurs when the internal temperature of the body reaches a level several degrees above the normal body temperature of 98.6°F (37°C). The symptoms of hyperthermia include an increase in the internal temperature of the body, dizziness, lethargy, drowsiness and fainting. The effects of hyperthermia include:

- A. Failure to perceive heat.
- B. Failure to recognize the need to exit the bath.
- C. Unawareness of impending hazard.
- D. Fetal damage in pregnant women.
- E. Physical inability to exit the bath.
- F. Unconsciousness resulting in danger of drowning.

**WARNING:**










RISK OF FETAL INJURY!

Pregnant or possibly pregnant women should consult a physician before using a hydromassage bathtub equipped with a heater.

**WARNING:**

Keep body and hair a minimum of 6" (152mm) away from the suction fitting at all times when the hydromassage system is in operation. Hair longer than shoulder length should be secured close to the head.

Operational Safety Instructions (Cont)

-  **WARNING:** The use of alcohol, drugs or medication can greatly increase the risk of fatal hyperthermia. People using medications or having an adverse medical history should consult a physician before using a hydromassage bathtub equipped with a heater.
-  **WARNING:** Do not tamper with user-operated controls or such devices.
-  **WARNING:** Use this unit only for its intended use as described in this manual. Do not use attachments not recommended by the manufacturers.
-  **WARNING:** To avoid injury, exercise caution when entering or exiting the hydromassage bathtub.
-  **WARNING:** Do not use hydromassage bathtub unless all suction guards are installed to prevent body and hair entrapment. Never operate the hydromassage bath if the suction cover is broken, damaged or missing.
-  **WARNING:** Water temperature in excess of 104°F (40°C) may be injurious to your health. Check and adjust water temperature before use.
-  **CAUTION:** Test the ground fault circuit interrupter protecting this appliance periodically in accordance with manufacturer's instructions.
-  **IMPORTANT:** Read the complete instructions provided in this manual before beginning installation.
-  **IMPORTANT:** For optimal operation, the water level must remain at 1" to 2" (25mm to 50mm) above the highest jet; do not use oil-based bathtub additives in your hydromassage bathtub.

The Company has obtained applicable code (standards) listings generally available on a national basis for products of this type. It is the responsibility of the installer/owner to determine specific local code compliance prior to installation of the product. The Company makes no representation or warranty regarding, and will not be responsible for any code compliance. Product specifications are subject to change without notice.

Inspection and Testing

Visual Inspection

- 1 Remove the bathtub from the shipping carton. Be careful not to scratch the surface of the bathtub on exposed staples. Remove the staples or fold them into the carton. Retain the carton until satisfactory inspection of the product has been made. Do not lift the bathtub by the plumbing at any time; handle by the shell only.
- 2 Inspect the shell and bathtub components. Should inspection reveal any damage or defect in the finish or visible damage to any components, do not install the bathtub. Damage or defect to the finish claimed after the bathtub is installed is excluded from the warranty. Jacuzzi Luxury Bath's responsibility for shipping damage ceases upon delivery of the products in good order to the carrier.
- 3 Refer any claims for damage to the carrier. For definitions of warranty coverage and limitations, refer to the published warranty information packed with the product or in the back of this manual.

Bathtub Water and Operational Test

All bathtub units are factory tested for proper operation and watertight connections prior to shipping. However, the unit must be retested by the installer prior to installation. Jacuzzi Luxury Bath is not responsible for any defect that could have been discovered, repaired, or avoided by following this inspection and testing procedure:

- 1 Place the bathtub on a level surface, near appropriate electrical supply, water supply, and water drainage. A driveway is a suitable choice.
- 2 Seal the drain and overflow hole with tape or a stopper and fill the bathtub to the bottom of the overflow hole.
- 3 Allow bathtub to stand for 5 minutes.
- 4 Plug in motor/pump and turn unit on. Confirm that all features function as described in the Operation section of this manual. Do not install the bathtub if bathtub fails to operate as described.
- 5 Visually inspect all joints for leaks. Do not install the bathtub if leaks are detected.
- 6 Return bathtub to box or otherwise protect from damage until time of installation.

Framing and Support

A technical specifications manual has been included with your bathtub. The Technical Specifications Manual will contain pertinent information regarding your Jacuzzi Luxury Bath product. Locate the Technical Specifications Manual at this time.

Frame out the space where the bathtub is to be located. The following should be taken into consideration when preparing the area:

- Dimensions provided on rough-in diagrams are nominal. Measure your actual unit upon receipt and build according to the actual dimensions.
- The floor structure beneath the bathtub must be able to support the total weight of the bathtub, water and bather.
- The unit must be supported from the bottom of the bathtub and not from the bathtub rim. For drop-in installations, take into account the thickness of the surround material and finishing material (marble, tile, etc.).
- The rim of the bath is not designed to support weight. If finish material is to overlap or contact the bath, the added weight must be fully self-supporting.
- Ensure the rim will rest on a level surface.
- Per code, access must be provided to the motor/pump for your specific model. Primary and secondary service access locations are shown in the rough-in diagrams contained in the Technical Specifications section.

Common Access Locations

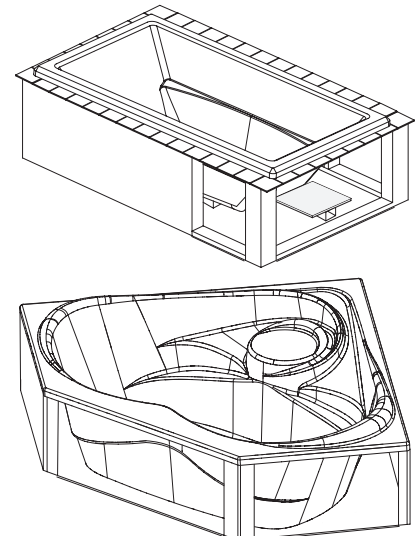


Figure 1



It is the responsibility of the installer, building contractor, or owner to provide access for service. Jacuzzi is not responsible for any costs relating to obtaining access for repair. The owner shall bear such costs and, if appropriate, must seek recovery from the installer.

- Provide adequate ventilation for cooling and supply sufficient air for the motor/pump. Do not insulate around the equipment.
- Your bathtub may have motor/pump parts that extend beyond the rim of the bathtub. Refer to the rough-in diagrams included in the warranty pack and construction framing to correctly accommodate.

Subfloor

Prepare the subfloor for the drain and ensure that the area is level.

- 1 The drain/overflow of the bathtub extends below the bottom of the bathtub. Identify the drawing in the Technical Specifications Manual that corresponds with your bathtub.
- 2 Make appropriate cuts to the subfloor to accommodate the drain.
- 3 Jacuzzi's Tru-Level™ base is a standard feature on all bathtubs. If the subfloor is level and a continuous surface, no other preparation is necessary. Proceed to the "Installation" section.
- 4 If the subfloor is not level, you must level the entire surface prior to installing the bathtub. The materials used will insure that the bathtub is supported from the bottom. These materials include: leveling compound, mortar, plaster or minimal expansion structural foam (having a density of a minimum 5lbs/cubic foot). The bathtub must remain level in order for it to drain properly and must make contact with the leveling material. Both sides of a joint or splice of subfloor should be level to each other.

Electrical Connections



Risk of electric shock. Connect only to a circuit protected by a GFCI.



When using electrical products, basic precautions should always be followed:

- Always follow local building and electrical codes.
- Grounding is required. The unit should be installed and grounded by a qualified electrician.

Two separate GFCI protected circuits are required.

A separate, 120VAC, 15 AMP GFCI circuit is required for the pump/motor.

A separate 120VAC, 15AMP, GFCI protected circuit is required for the heater.



Risk of component overheat. Do not use electric extension cord to power this unit.



Operating the motor/pump without enough water in the bathtub can cause permanent damage to the pump.

Pump/Motor with Heater



Electrical outlets must be mounted 4" (101mm) above the floor line, or in accordance with local building and electrical codes.

- The pump/motor and heater require a dedicated 120VAC, 15 Amp GFCI protected circuit for each. The electrical outlets are not provided.
- Power cord from the pump/motor is routed to a control box at the factory. A supplied power cord from the control box with a 120VAC, 15 AMP plug connects to the customer-supplied GFCI protected circuit.
- Bonding lugs are provided on the motor to satisfy local electrical codes.
- At initial start-up, test GFCI units for proper operation. Follow the manufacturer's direction for testing and proper use.



If the GFCI units indicate a malfunction, per manufacturer's instructions, turn OFF power and do not use the bathtub until the source of the problem has been identified and corrected.

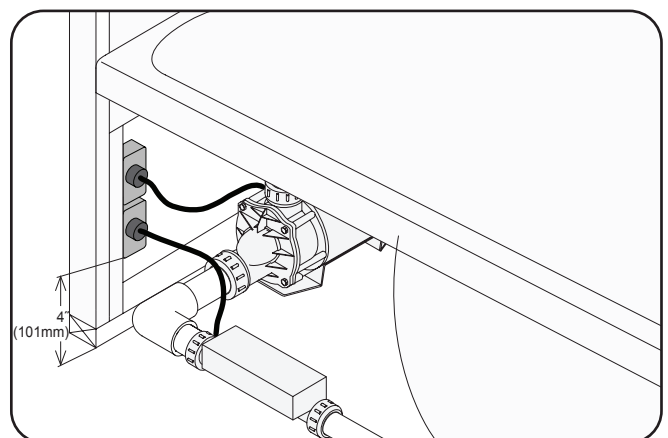




Figure 2

Reference Illustrations

-  These illustrations are for reference only, as the unit comes fully assembled.
-  Risk of electric shock. Before servicing these connections, disconnect all power supply cables to both 120VAC services.

J2 Control Panel Schematic Diagram

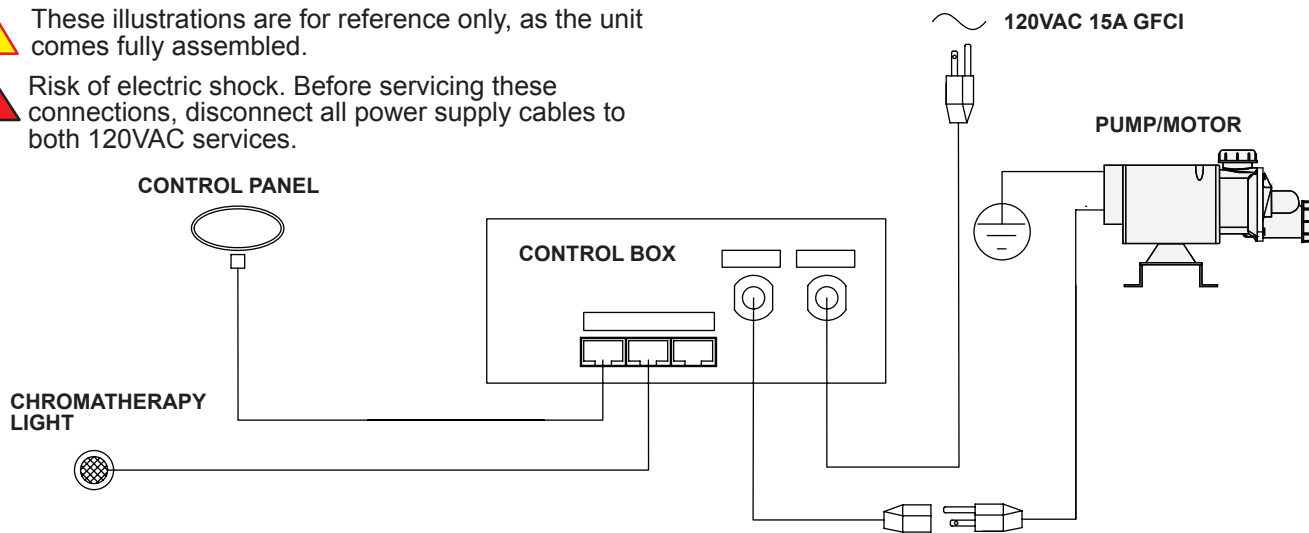
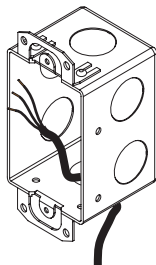


Figure 3



 **CANADIAN MODELS ONLY:**
The components must be hardwired in the J-Boxes (supplied) that are located on the unit.

Drop-in Installation



Before you begin your installation, please read the following:

- Observe all local and building codes.
- Determine which tools will be used during the installation.
- Additional bathtub drain parts and plumbing are commercially available at plumbing and hardware stores.
- Drain/Overflow rough-in information is included with your bathtub in the installation instruction manual.

Complete the bathtub surround installation.

1

Install drain/overflow according to the manufacturer's instructions. Refer also to the Technical Specifications Manual.



Watertight installation of the drain is the installer's responsibility. Drain leakage is excluded from the Jacuzzi Luxury Bath warranty of this product.

2

Install the faucet at this time. It is recommended that the faucet be installed by a qualified plumber.



Proper installation of the spout plumbing and compliance with local codes are the responsibility of the installer. Jacuzzi Luxury Bath does not warrant connections of water supply fittings and piping, fill systems, or drain/overflow systems. Nor is it responsible for damage to the bathtub which may occur during installation.



A non-flammable protective barrier must be placed between the soldering work and the bathtub unit to prevent damage to the bathtub.

3

Prepare the cut-out hole for the bathtub using either the provided template or the cutout dimensions listed in the specifications table in the Technical Specifications Manual.



The template may show guides for more than one bathtub, be certain to select the appropriate guide lines. If under mounting is an option, be careful to select the guide lines that apply to the installation that you are performing.

4

Complete all deck finish work. Cover to protect from damaging while placing the bathtub.

5

Insulation may be placed within the bathtub surround.



Provide adequate ventilation around the motor/pump to ensure sufficient airflow and cooling.

6

Turn off power supply to dedicated GFCI protected circuits.

7

Place a piece of scrap lumber on each of the ends of the cutout – this will be used as a temporary support prior to lowering the bathtub fully into the opening.

8

Connect flex water supply lines to faucet and plug power cords into GFCI outlets.



DO NOT use plumbing fixtures or lines to lower the unit. Allow the bathtub to rest on the supports.

9

Install the unit, inserting the motor/pump end first, lowering the bathtub into the opening as shown in the illustration.

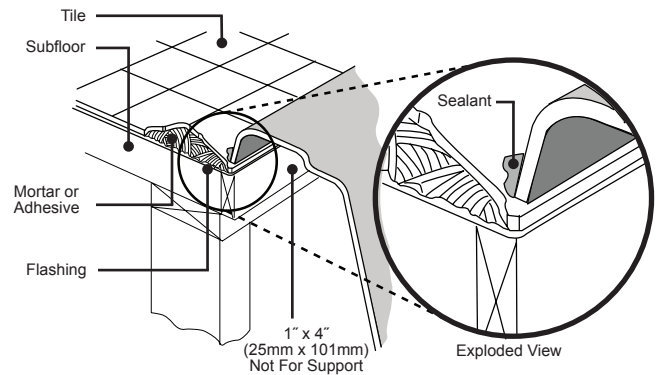


Figure 4

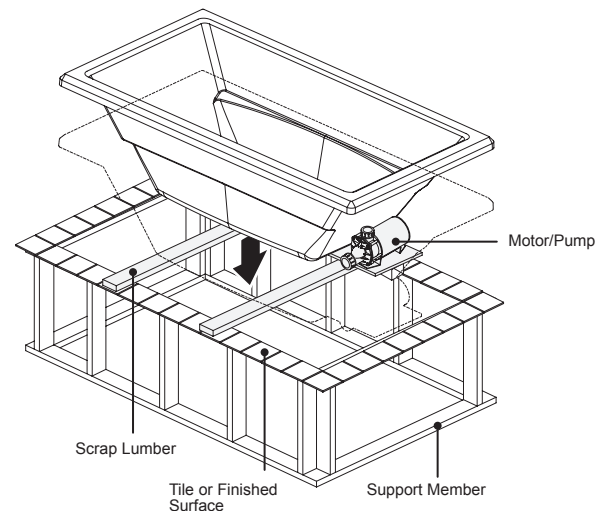


Figure 5

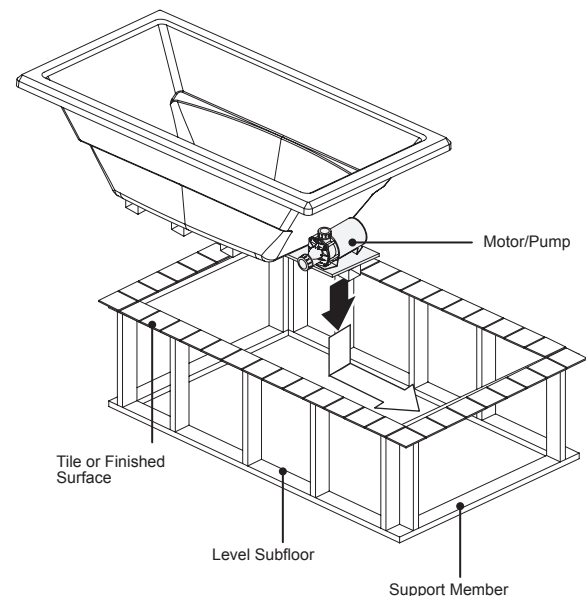


Figure 6

Drop-in Installation (con't)

- 10 Inspect all fittings, plumbing, and control lines after inserting to insure the components are not damaged, disconnected, or contacting the finish surface substrate or support members.
- 11 Align the bathtub and connect the drain.
- 12 Turn on the power supply to the dedicated GFCI protected circuits and check system operation.
- 13 Caulk around the perimeter of bathtub to seal the space between the rim and the finished deck.

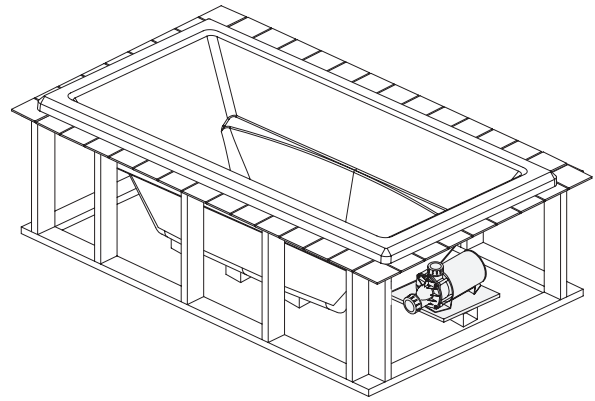



Figure 7

3-Wall Alcove Installation

- 1 Install the drain/overflow according to the manufacturer's instructions. Refer also to the Technical Specifications Manual.
 -  Watertight installation of the drain is the installer's responsibility. Drain leakage is excluded from the Jacuzzi Luxury Bath warranty of this product.
- 2 Install the faucet at this time. It is recommended that the faucet be installed by a qualified plumber.
- 3 Install the flange (purchased separately) according to the instructions that are included with the kit. If the bathtub is equipped with an integrated flange, skip this step.
- 4 Turn off the power supply to the GFCI protected circuit.
- 5 Insulation may be placed within the bathtub surround, except around the motor/pump.
- 6 Connect flex water supply lines to faucet and plug power cords into GFCI outlet.
- 7 Place the bathtub into the niche. Screw the flange to the wood stud. It may be necessary to shim the unit to close up any gaps between the wood stud and the flange.
- 8 Align the bathtub and connect the drain.
- 9 Inspect all fittings, plumbing, and control lines after inserting the bathtub to insure the components are not damaged, disconnected, or contacting the finish surface substrate or support members.
- 10 Turn on the power supply to the dedicated GFCI protected circuits and check system operation.
- 11 Complete all finish work around the perimeter of bathtub to seal the space between the rim and the finished deck.

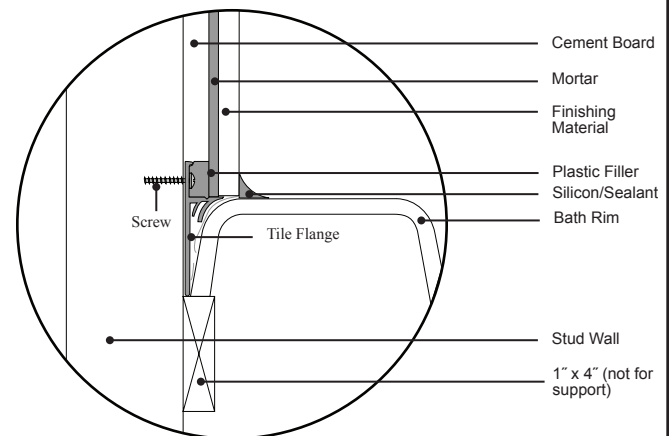


Figure 8

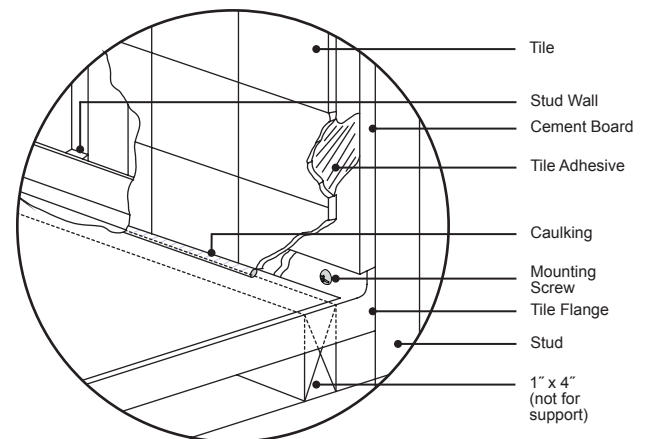


Figure 9

Skirt Installation

Bathtubs with an Integral Skirt

- 1 Screw skirt flanges into wall studs.
- ⚠ It may be necessary to shim the unit to close any gaps between wall studs and the flanges.
- 2 Complete finish work over skirt flange.
- 3 Caulk around the perimeter of the skirt to seal the space between the skirt and the finished deck.

Bathtubs with Optional Skirt

If you are installing a integral skirt, please refer to the Skirt Installation Guide before proceeding any further. Complete the installation and assembly steps according to the Skirt Installation Guide.

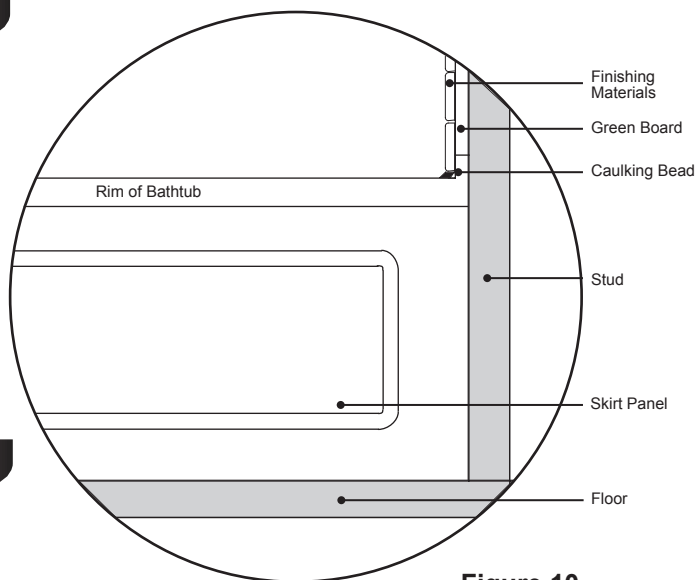


Figure 10

Undermount Installation

- 1 Install drain/overflow according to the manufacturer's instructions.
- ⚠ Watertight installation of the drain is the installer's responsibility. Drain leakage is excluded from the Jacuzzi Luxury Bath warranty of this product.
- 2 Turn off power supply to dedicated GFCI protected circuits.
- 3 Install the unit in desired location. DO NOT use plumbing fixtures or lines to carry or lower the unit.
- 4 Inspect all fittings, plumbing, and control lines after inserting to insure the components are not damaged or disconnected.
- 5 Align the bathtub and connect the drain.
- 6 Insulation may be placed within the bathtub surround.
- ⚠ Provide adequate ventilation around the motor/pump to ensure sufficient air flow and cooling.
- 7 Cut deck/counter to fit using the undermount template provided as follows:
 - Position the template so that the desired undermount guidelines are aligned with the rim edge as shown.
 - Using a grease pencil, mark the center lines (denoted by Φ on template). Remove template.
 - Measure the distance from the wall, or other fixed point, to the center lines.
- 8 Affix counter to bathtub. Clean any dirt or debris from the top of the bathtub rim. Apply a bead of silicone sealant around the entire rim of bathtub.
- ⚠ Do not use an adhesive or adhesive sealant to secure the counter to the bathtub. If maintenance or remodeling is required, the counter may have to be removed. Adhesive will permanently bond the counter to the bathtub. Carefully position the deck/counter over the bathtub. Follow manufacturer's instructions to determine cure time.
- 9 Apply a continuous bead of silicone sealant around the entire seam between the counter and the bathtub rim. Allow sealant to cure according to manufacturer's instructions.
- 10 Turn on the power supply to the dedicated GFCI protected circuits and check system operation.

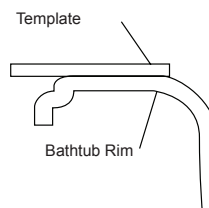


Figure 11

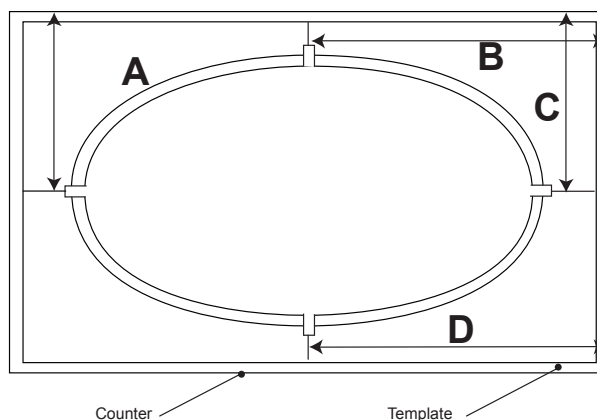


Figure 12

Cleanup

To avoid dulling and scratching the surface of the bathtub, never use abrasive cleaners. For most soiled surfaces, a mild liquid detergent and warm water is sufficient. The following is also recommended:

- Remove spilled plaster with a wood or plastic edge. Spots left by plaster or grout can be removed if lightly rubbed with detergent on a damp cloth or sponge. Do not use metal scrapers, wire brushes or other metal tools, as they will damage the bathtub's surface.
- Paint, tar, or other difficult stains can be removed with Fantastik® or soapy water.
- Minor scratches which do not penetrate the color finish can be removed by lightly sanding with 600-grit wet/dry sandpaper. You can restore the glossy finish to the acrylic surface of the bathtub with a special compound, Meguiar's #10 Mirror Glaze. If that is not available, use automotive rubbing compound followed by an application of automotive paste wax.
- Major scratches and gouges which penetrate the acrylic surface will require refinishing. Call Jacuzzi Luxury Bath to find a service agent in your area.

General Operation Information

All bathtubs manufactured by Jacuzzi Luxury Bath are designed for "fill and drain," which means the bathtub should be drained after each use and filled with fresh water by the next bather. This is a health precaution, as these bathtubs are not designed to hold water continuously like pools or spas.

Close the drain and fill the bathtub until water is at least 1" to 2" (25mm to 51mm) above the highest jet (see water line indicated in the illustration). Do not turn on the whirlpool system at any time if the jets are not completely immersed in water. Running the whirlpool system when there is insufficient water in the bathtub could result in water spraying outside the bath area. Running the whirlpool system without water will damage the recirculating pump.

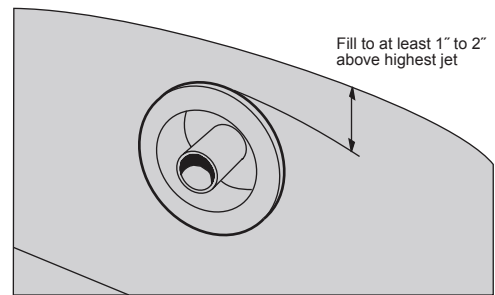


Figure 13

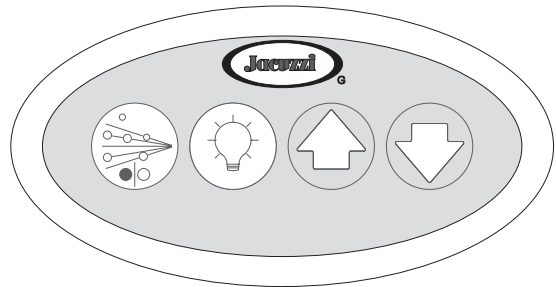


When exiting the bathtub, the water level will drop below the jets which could result in water being sprayed out of the unit. To prevent this, you must turn unit OFF before exiting bathtub.

Whirlpool Operation

ON: Press the jet button once to turn the whirlpool jets ON.

OFF: Press the jet button a second time to turn the whirlpool jets OFF.



Chromotherapy (Light) Operation

Press light button 1st time:

Turns colored lighting ON, use up and down buttons to start color scroll or select alternate color.

Press light button 2nd time:

Turns white lighting ON, use up and down buttons to select intensity of white light.

Press light button 3rd time:

Turns all lighting OFF



Chromatherapy (Light) Operation (Cont)

Colored Lighting Operation

The colored lighting default is constant blue. Pressing the (⬆) button activates color scroll in this order: blue, teal, green, yellow, orange, red, pink, purple and then returns to blue and continuously repeats. To stop on a selected color, press the (⬆) button again. Pressing the (⬇) button activates color scroll in this order: blue, purple, pink, red, orange, yellow, green, teal and then returns to blue and continuously repeats. To stop on a selected color, press the (⬇) button again.

White Lighting Operation

There are five white light intensities. Press the (⬆) button to increase light intensity. Press the (⬇) button to decrease light intensity.

Air Flow (if equipped)

Turn the left air valve dial to activate the left air valves.
Turn the right air valve dial to activate the right air valves.

The amount of air induced into the whirlpool jets can be controlled from maximum to none.

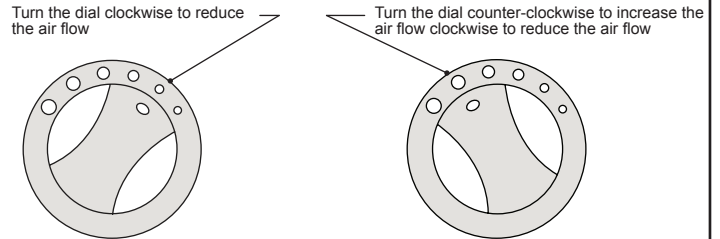


Figure 14

Controlling Whirlpool Direction and Flow

Direction -

All Jacuzzi jets, except the rotating neck jets, can be directionally adjusted. To change the direction of the water flow, swivel the jet nozzle to the desired angle. The jets can be directed individually toward any location on your body to provide a hydromassage. The jets can also be adjusted so that they all point in the same direction (clockwise or counterclockwise) to circulate the water in a circular motion around the bath, causing a total whirlpool effect.

Water Force -

Most Jacuzzi jets are designed for flow adjustment. For robust action, increase the force of the flow by rotating the nozzle, or face, to the left (counterclockwise). For a more gentle effect, or to close off the jet, rotate the nozzle, or face, to the right (clockwise).

Closing one or more jets can increase the water force in the remaining jets.

The rotating neck jets, and some AccuPro™ jets, cannot be adjusted for water force.

Never run the whirlpool system with all the jets closed.

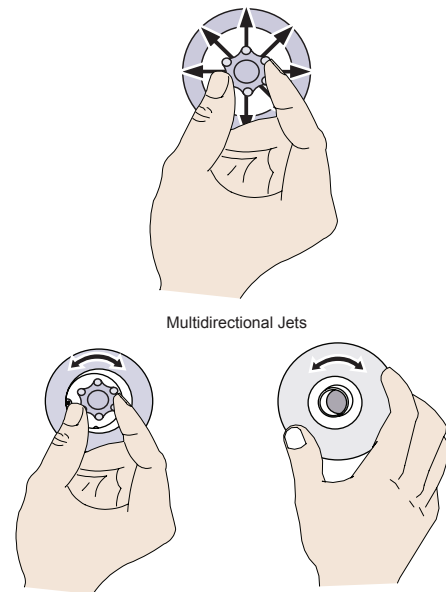


Figure 15

Purging the Whirlpool System

To remove accumulations of bathtub residue from the whirlpool system, it is recommended that a whirlpool bathtub be cleaned at least twice a month. For best results, however, we recommend that you clean your whirlpool bathtub after each use using, Systems Clean™, our exclusive two-part plumbing system cleaner made specifically for whirlpool bathtubs. Systems Clean™ is available through an authorized Jacuzzi Whirlpool Bath Distributor or by calling us direct at 1-800-288-4002.

Bathtub Additives



Do not use oil or oil-based bathtub additives.

If you want to use any kind of bathtub additive, use only a small amount of low-foaming powder or crystal substance; the whirlpool action intensifies the foaming properties of soaps.

The use of certain bathtub oils, bubble baths, and bathtub additives may increase the level of accumulations of bathtub residue in the whirlpool system and may cause false reading of the water level sensors. If excess accumulations persist, you should discontinue use of these products.

Maintenance

To clean your bathtub, simply use a mild, nonabrasive liquid detergent solution. You can protect and restore the gloss to a dulled acrylic surface by applying Meguiar's #10 Mirror Glaze, a product specifically designed for use on acrylic finishes. If Meguiar's is not available, use a fine grade automotive rubbing compound followed by an application of automotive paste wax.



Never use abrasive household cleaners on any Jacuzzi Luxury Bath product.

Surface Repair

Minor scratches which do not penetrate the color finish can be removed by lightly sanding with 600-grit wet/dry sandpaper. Restore the gloss using Meguiar's Mirror Glaze or automotive paste wax. Major scratches and gouges which penetrate the acrylic surface will require refinishing. Call Jacuzzi Luxury Bath to find a service agent in your area.

RapidHeat™

The heater turns ON automatically any time whirlpool operation is active. Heater operation is not displayed on the control panel. There is a visible indicator light on the heater itself that signifies the heater is operating. The heater will help maintain the temperature of the water in the bathtub.

Vacuum Switch

The heater is equipped with a preset vacuum switch which will not allow the heater to turn ON if the pump is not running and water is not flowing through the whirlpool system.

High-Limit Switch

The heater includes an exclusive High-Limit switch. This safety circuit will not false trip from hot tap water. It will only turn OFF the heater if the thermostat fails. To reset, press the button. If the high-limit trips frequently, please contact us at www.jacuzzi.com, or at 1-800-288-4002.

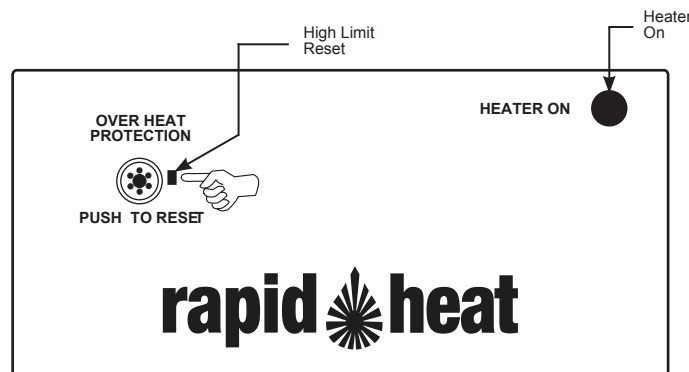


Figure 16

Suction Cover/Strainer Maintenance

Clean the suction cover/strainer of hair and debris when necessary.

- 1** Remove the center screw and detach the suction cover.
- 2** Clean the cover by backflushing debris from the holes.
- 3** Replace the suction cover immediately after cleaning.

When reinstalling, orient the cover/strainer with the small notch at the bottom. The gasket must be inserted into the groove of the cover/strainer before reinstalling onto the suction fitting.

Keep hair a minimum of 6 inches (152 mm) away from the suction fitting at all times when the whirlpool system is operating. Hair longer than shoulder length should be secured close to the head, or a bathing cap should be worn.

Do not operate the whirlpool system with the suction cover/strainer removed!

It is a safety device and must always be in place on the suction fitting to minimize the potential hazard of hair and body entrapment.

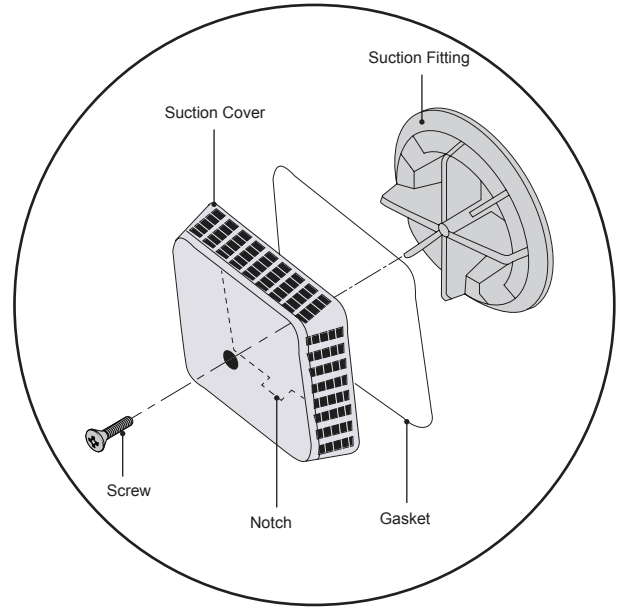


Figure 17

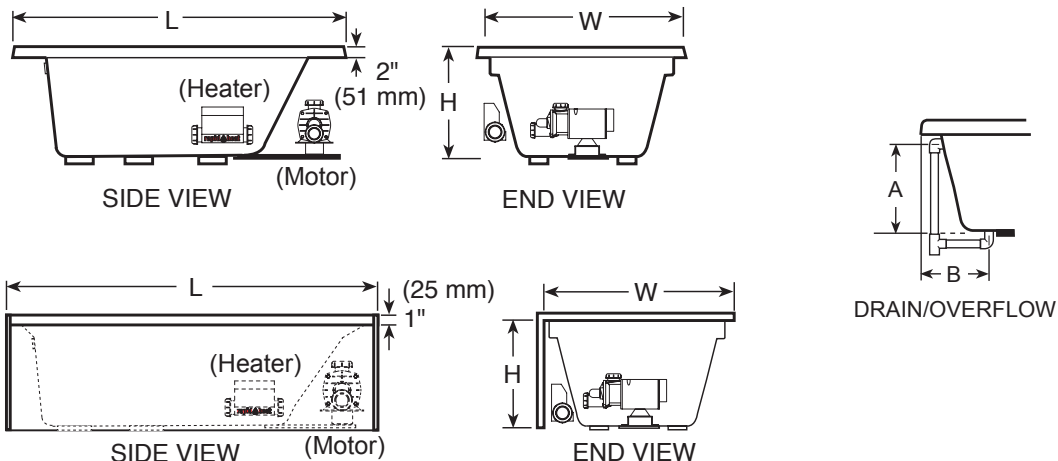
Troubleshooting Procedures

PROBLEM	PROBABLE CAUSES	REMEDY
Pump/motor does not start	No power to pump/motor Pump/motor not plugged in Pump/motor faulty	Reset GFCI Insert plug securely into outlet Ensure the control panel is connected to control box Contact Jacuzzi Luxury Bath @ 800-288-4002
Pump/motor operates but no fully adjustable jets are functioning	Jets are closed Suction cover/strainer may be clogged	Open jets by rotating counter-clockwise With the motor turned OFF, remove the suction cover/strainer and remove any debris. Replace the suction cover before operating
Pump/motor operates but air is not injected into the water	Air valves are closed	Open air control valves
Water leakage from pump unions	Overtightened, O-ring may be pinched or improperly seated, undertightened	Loosen unions, check and reseal O-ring. If O-ring has been pinched out of shape, replace (refer to number below). When tightening union nuts, handtighten only.
Pump/motor shuts off by itself before time elapses	Motor thermal protection has deactivated pump/motor due to overheating (supply voltage low) GFCI tripped Inadequate supply wiring	Let motor cool; thermal protection will reset. Check for proper ventilation (check supply voltage) Reset GFCI. If it continues to trip, do not use this unit. Disconnect the unit and have the problem corrected by a licensed electrician before using. Consult a licensed electrician to correct the wiring unit.
Chromatherapy lights do not operate	Connector has come loose	Contact Jacuzzi Luxury Bath @ 800-288-4002
Water not maintaining temperature	High Limit switch on heater has been tripped	Press Reset button on heater

If the unit is within the warranty period, contact Jacuzzi Whirlpool Bath Service Support at 1-800-288-4002 with your bath's serial number before work is started. The serial number is located on the Specification/Serial Number Plate (the plate is located behind the equipment area).

Technical Specifications

Rectangular Baths



SPECIFICATIONS (Rectangular)

LH=Left Hand MTR, RH=Right Hand MTR, LBM=Left Back MTR, LFM=Left Front MTR, RBM=Right Back MTR, RFM= Right Front MTR

MODEL	DIMENSIONS	DRAIN/OVERFLOW DIMENSIONS	CUTOUT	TOTAL WEIGHT/FLOOR LOADING	OPERATING GALLONAGE	PRODUCT WEIGHT	SKIRT & MOUNTING	HEATER
AMIGA™ PLUS LH, RH, RBM, RFM, LBM, LFM	72" (1829 mm) L* 36" (914 mm) W 20-3/4" (533 mm) H	16-7/8" (429 mm) A 14" (356 mm) B	70" x 34" (1778mm x 864mm)	772 lb (351 kg)/ 49.2 lb/ft ² (210 kg/m ²)	Min. 54 U.S. gal (204 liters) Max. 72 U.S. gal (273 liters)	105 lb (48 kg)	Optional, U-Frame	Factory Installed (S750000 HEATER KIT)
CETRA® 532 PLUS LH, RH	60" (1524 mm) L* 32" (813 mm) W 21-1/4" (553 mm) H	18-1/2" (470 mm) A 9" (229 mm) B	58" x 30" (1473mm x 762mm)	697 lb (317 kg)/ 52.5 lb/ft ² (256 kg/m ²)	Min. 40 U.S. gal (151 liters) Max. 62 U.S. gal (235 liters)	89 lb (40.5 kg)	Optional, U-Frame	Factory Installed (S750000 HEATER KIT)
CETRA® 536 PLUS LH, RH	60" (1524 mm) L* 36" (914 mm) W 21-1/4" (553 mm) H	18-1/2" (470 mm) A 9" (229 mm) B	58" x 34" (1473mm x 864mm)	742 lb (337 kg)/ 49.5 lb/ft ² (241 kg/m ²)	Min. 41 U.S. gal (155 liters) Max. 55 U.S. gal (208 liters)	92 lb (42 kg)	Optional, U-Frame	Factory Installed (S750000 HEATER KIT)
CETRA® 536 PLUS WITH INTEGRAL SKIRT LH, RH	60" (1524 mm) L* 36" (914 mm) W 21-1/4" (553 mm) H	18-1/2" (470 mm) A 9" (229 mm) B	NA	742 lb (337 kg)/ 49.5 lb/ft ² (241 kg/m ²)	Min. 41 U.S. gal (155 liters) Max. 55 U.S. gal (208 liters)	92 lb (42 kg)	Integral	Factory Installed (S750000 HEATER KIT)
LUXURA™ PLUS WITH INTEGRAL SKIRT LH, RH	60" (1524 mm) L* 32" (813 mm) W 20-1/4" (514 mm) H	15-1/4" (387 mm) A 8-1/4" (210 mm) B	NA	707 lb (321.4 kg)/ 52.5 lb/ft ² (256 kg/m ²)	Min. 39 U.S. gal (148 liters) Max. 50 U.S. gal (189 liters)	117 lb (53 kg)	Integral	Factory Installed (S750000 HEATER KIT)
MITO® 5 PLUS LH, RH	60" (1524 mm) L* 42" (1067 mm) W 21" (533 mm) H	17-1/2" (445 mm) A 11-3/8" (302 mm) B	58" x 40" (1473mm x 1016mm)	866 lb (321.4 kg)/ 49.5 lb/ft ² (256 kg/m ²)	Min. 39 U.S. gal (148 liters) Max. 73 U.S. gal (276 liters)	109 lb (49.5 kg)	Optional, U-Frame	Factory Installed (S750000 HEATER KIT)
MITO® 6 PLUS LH, RH	72" (1829 mm) L 42" (1067 mm) W 21-1/2" (546 mm) H	17-1/2" (445 mm) A 11-7/8" (302 mm) B	70" x 40" (1778mm x 1016mm)	993 lb (451 kg)/ 47.3 lb/ft ² (230 kg/m ²)	Min. 39 U.S. gal (148 liters) Max. 73 U.S. gal (276 liters)	155 lb (70.5 kg)	Not Available	Factory Installed (S750000 HEATER KIT)
NOVA® 5 PLUS LH, RH	60" (1524 mm) L* 42" (1067 mm) W 18-1/2" (470 mm) H	14-3/4" (375 mm) A 8-1/2" (216 mm) B	58" x 40" (1473mm x 1016mm)	781 lb (355 kg) / 44.2 lb/ft ² (215 kg/m ²)	Min. 35 U.S. gal (133 liters) Max. 52 U.S. gal (197 liters)	110 lb (50 kg)	Optional, U-Frame	Factory Installed (S750000 HEATER KIT)
NOVA® 6 PLUS LH, RH	72" (1829 mm) L* 42" (1067 mm) W 20-1/2" (521 mm) H	14-3/4" (375 mm) A 8-1/2" (216 mm) B	70" x 40" (1778mm x 1016mm)	1155 lb (525 kg)/ 55 lb/ft ² (268 kg/m ²)	Min. 57 U.S. gal (216 liters) Max. 82 U.S. gal (310 liters)	116 lb (53 kg)	Optional, U-Frame	Factory Installed (S750000 HEATER KIT)
SIGNA® 5 PLUS LH, RH	60" (1524 mm) L* 42" (1067 mm) W 22" (559 mm) H	17-1/2" (445 mm) A 12-1/2" (318 mm) B	58" x 40" (1473mm x 1016mm)	708 lb (321 kg)/ 40 lb/ft ² (195 kg/m ²)	42 U.S. gal (159 liters)	108 lb (49 kg)	Optional, U-Frame	Factory Installed (S750000 HEATER KIT)
SIGNA® 6 PLUS LH, RH	72" (1829 mm) L* 42" (1067 mm) W 22" (559 mm) H	16-5/8" (429 mm) A 14" (356 mm) B	70" x 40" (1778mm x 1016mm)	826 lb (375 kg)/ 39 lb/ft ² (190 kg/m ²)	55 U.S. gal (208 liters)	118 lb (54 kg)	Not Available	Factory Installed (S750000 HEATER KIT)

*Add 1/4" (6mm) to this dimension when roughing-in for 3-wall niche.

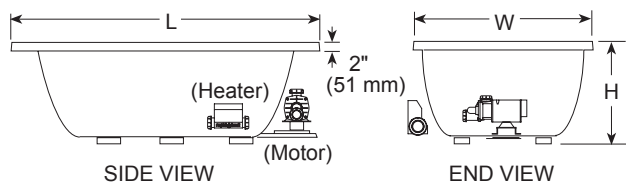
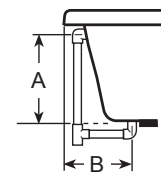
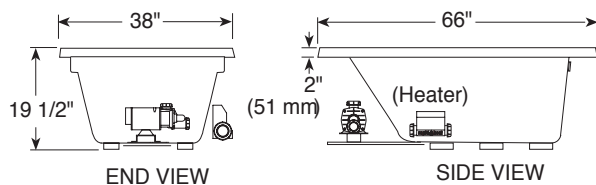
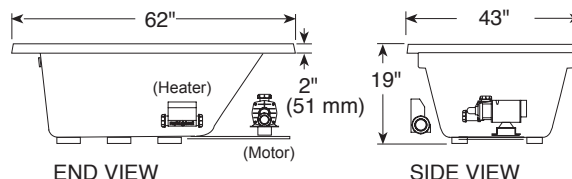
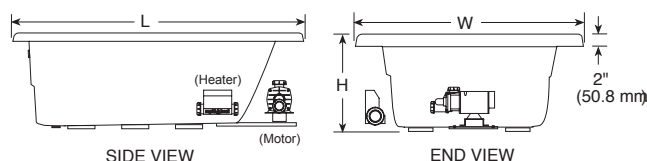
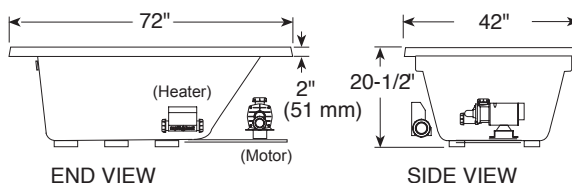


The overall dimensions are nominal with a tolerance of +0 and -1/4" (6mm).

FOR ALL UNITS: Electrical Service Requirements: All require a dedicated GFCI protected separate circuit.

RapidHeat™: 120 VAC, 15 AMP, 60 Hz. dedicated GFCI protected separate circuit.

Motor/Pump: 120 VAC, 15 Amp, 60 Hz. dedicated GFCI protected separate circuit.

Oval Baths

LUNA PLUS

DRAIN/OVERFLOW

RIVA® 5.5 PLUS

RIVA® 5.5 PLUS

GALLERY™ 5 PLUS, GALLERY™ 6 PLUS

RIVA® 6 PLUS, Left Hand
SPECIFICATIONS (Oval) LH=Left Hand, RH=Right Hand

MODEL	DIMENSIONS	DRAIN/OVERFLOW DIMENSIONS	CUTOUT	TOTAL WEIGHT/FLOOR LOADING	OPERATING GALLONAGE	PRODUCT WEIGHT	SKIRT & MOUNTING	HEATER
GALLERY™ 5 PLUS LH, RH	62" (1575 mm) L 43" (1092 mm) W 19" (543 mm) H	14-3/4" (375 mm) A 9-1/2" (241 mm) B	Template Provided P/N P186000	746 lb (339 kg) / 40.3 lb/ft ² (196 kg/m ²)	48 U.S. gal (182 liters)	96 lb (44 kg)	Not Available	Factory Installed (S750000 HEATER KIT)
GALLERY™ 6 PLUS LH, RH	72" (1829 mm) L 42" (1118 mm) W 20-1/2" (521 mm) H	16" (406 mm) A 11-1/2" (292 mm) B	Template Provided P/N P186000	871 lb (396 kg) / 41.5 lb/ft ² (202 kg/m ²)	62 U.S. gal (235 liters)	105 lb (48 kg)	Not Available	Factory Installed (S750000 HEATER KIT)
LUNA™ PLUS LH, RH	72" (1829 mm) L 42" (1118 mm) W 23" (584 mm) H	19-3/8" (486 mm) A 11" (279 mm) B	Template Provided P/N P819000	1176 lb (535 kg) / 56 lb/ft ² (273 kg/m ²)	Min. 89 U.S. gal (337 liters) Max. 103 U.S. gal (390 liters)	126 lb (57 kg)	Not Available	Factory Installed (S750000 HEATER KIT)
RIVA™ 5 PLUS LH, RH	62" (1575 mm) L* 43" (1092 mm) W 19" (483 mm) H	14-3/4" (375 mm) A 9-1/2" (241 mm) B	Template Provided P/N P186000	779 lb (354 kg) / 44.2 lb/ft ² (215 kg/m ²)	Min. 40 U.S. gal (151 liters) Max. 58 U.S. gal (220 liters)	96 lb (44 kg)	Not Available	Factory Installed (S750000 HEATER KIT)
RIVA™ 5.5 PLUS LH, RH	66" (1676 mm) L 38" (965 mm) W 19-1/2" (495 mm) H	14-3/4" (375 mm) A 9-1/2" (241 mm) B	Template Provided P/N FX40000	760 lb (344 kg) / 55 lb/ft ² (29 kg/m ²)	44 gal Min (166 Lt) 56 gal Max (211 Lt)	93 lb (42 kg)	Not Available	Factory Installed (S750000 HEATER KIT)
RIVA™ 6 PLUS LH, RH	72" (1829 mm) L* 42" (1067 mm) W 20-1/2" (521 mm) H	16" (406 mm) A 11-1/2" (292 mm) B	Template Provided P/N P186000	1150 lb (575 kg) / 55 lb/ft ² (268 kg/m ²)	Min. 58 U.S. gal (220 liters) Max. 89 U.S. gal (337 liters)	111 lb (50.5 kg)	Not Available	Factory Installed (S750000 HEATER KIT)

*Add 1/4" (6mm) to this dimension when roughing-in for 3-wall niche.



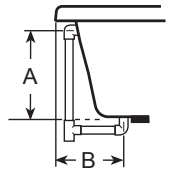
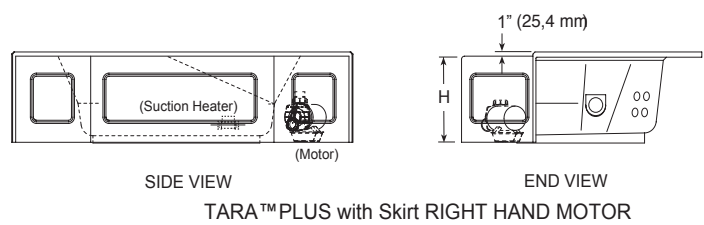
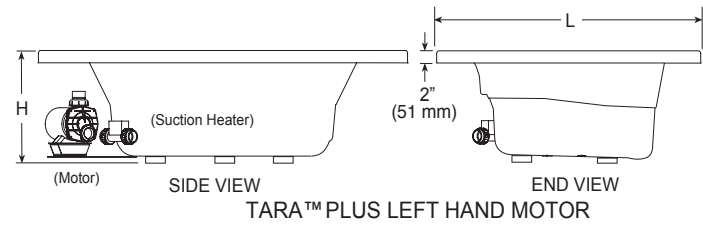
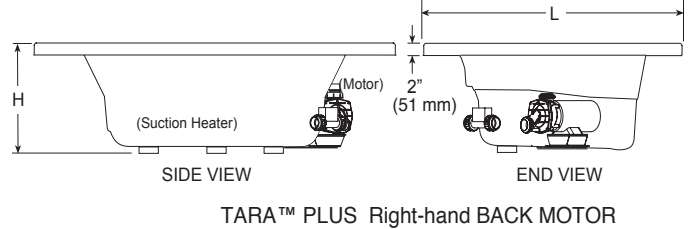
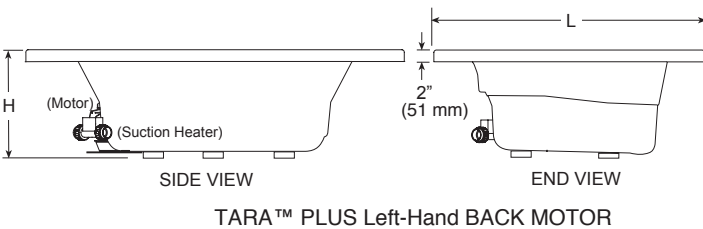
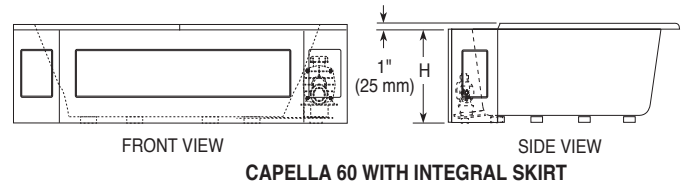
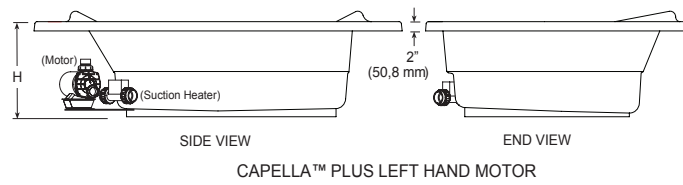
The overall dimensions are nominal with a tolerance of +0 and -1/4" (6mm).

FOR ALL UNITS: Electrical Service Requirements: All require a dedicated GFCI protected separate circuit.

RapidHeat™: 120 VAC, 15 AMP, 60 Hz. dedicated GFCI protected separate circuit.

Motor/Pump: 120 VAC, 15 AMP, 60 Hz. dedicated GFCI protected separate circuit.

Corner Baths



SPECIFICATIONS (Corner) LH=Left Hand MTR, RH=Right Hand MTR, LBM=Left Back MTR, RFM=Right Front MTR, RBM=Right Back MTR

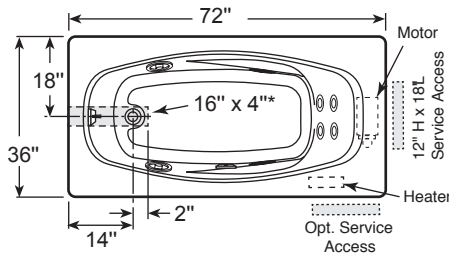
MODEL	DIMENSIONS	DRAIN/OVERFLOW DIMENSIONS	CUTOUT	TOTAL WEIGHT/ FLOOR LOADING	OPERATING GALLONAGE	PRODUCT WEIGHT	SKIRT & MOUNTING	HEATER
CAPELLA™ PLUS LH, RH	60" (1524 mm) L 60" (1524 mm) L 20-½" (521 mm) H	18" (406 mm) A 12-⅝" (314 mm) B	See Page 12	1177 lb (535 kg)/ 47.1 lb/ft² (229 kg/m²)	Min 55 U.S. gal (208 liters) Max 90 U.S. gal (341 liters)	130 lb (59 kg)	Optional	Factory Installed (S750000 HEATER KIT)
CAPELLA™ PLUS WITH INTEGRAL SKIRT RFM	60" (1524 mm) L 60" (1524 mm) L 20-½" (521 mm) H	18" (406 mm) A 12-⅝" (314 mm) B	NA	1038 lb (472 kg)/ 41.5 lb/ft² (202 kg/m²)	Min 55 U.S. gal (208 liters) Max 90 U.S. gal (341 liters)	140 lb (64 kg)	Integral	Factory Installed (S750000 HEATER KIT)
TARA™ PLUS LH, RH, LBM, RBM	60" (1524 mm) L 60" (1524 mm) L 20-¾" (527 mm) H	16" (406 mm) A 12-¾" (314 mm) B	See Pages 12-13	984 lb (447 kg)/ 39 lb/ft² (190 kg/m²)	74 U.S. gal (280 liters)	118 lb (54 kg)	Optional	Factory Installed (S750000 HEATER KIT)
TARA™ PLUS WITH INTEGRAL SKIRT RH	60" (1524 mm) L 60" (1524 mm) L 20-¾" (527 mm) H	16" (406 mm) A 12-¾" (314 mm) B	NA	1160 lb (527 kg)/ 46.4 lb/ft² (226 kg/m²)	Min 61 U.S. gal (231 liters) Max 87 U.S. gal (329 liters)	135 lb (61 kg)	Integral	Factory Installed (S750000 HEATER KIT)

*Add ¼" (6mm) to this dimension when roughing-in for 3-wall niche.

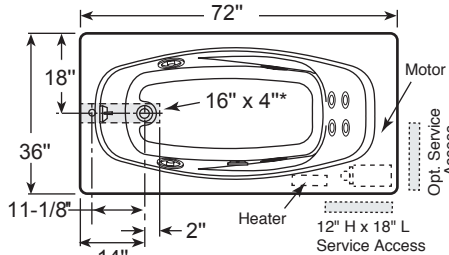


The overall dimensions are nominal with a tolerance of +0 and -¼" (6mm).
FOR ALL UNITS: Electrical Service Requirements: All require a dedicated GFCI protected separate circuit.
 RapidHeat™: 120 VAC, 15 AMP, 60 Hz. dedicated GFCI protected separate circuit.
 Motor/Pump: 120 VAC, 15 Amp, 60 Hz. dedicated GFCI protected separate circuit.

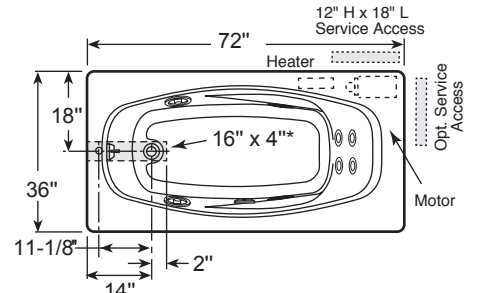
Roughing-In Reference - Rectangular



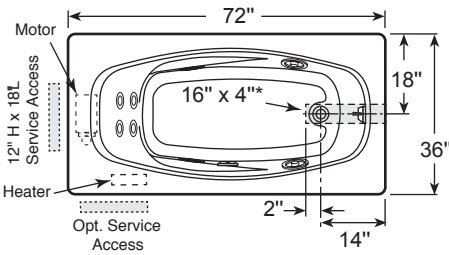
AMIGA™ PLUS, Left Hand



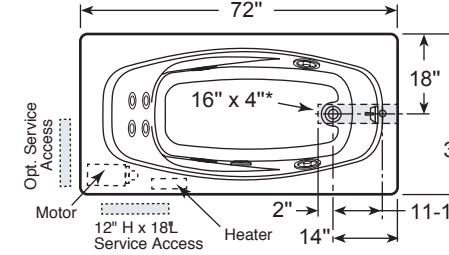
(Right front motor, Left-hand tub.)
AMIGA™ PLUS, Left Hand RFM



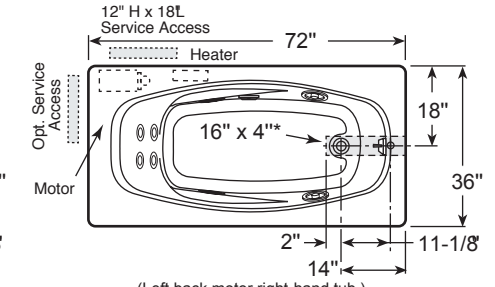
(Right back motor Left-hand tub.)
AMIGA™ PLUS, Left Hand RBM



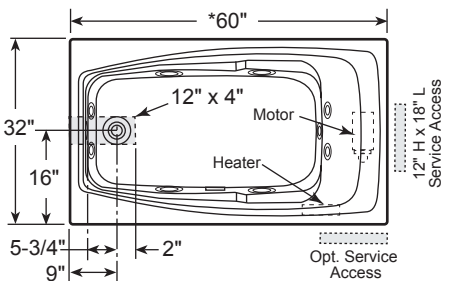
AMIGA™ PLUS, Right Hand



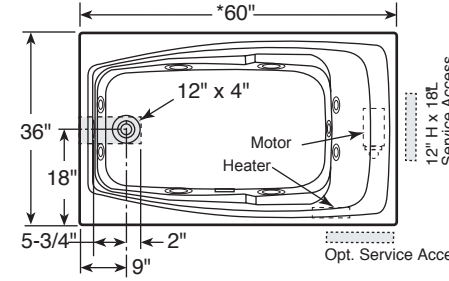
(Left front motor right-hand tub.)
AMIGA™ PLUS, Right Hand LFM



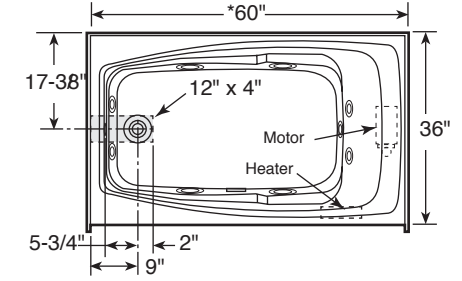
(Left back motor right-hand tub.)
AMIGA™ PLUS, Right Hand LBM



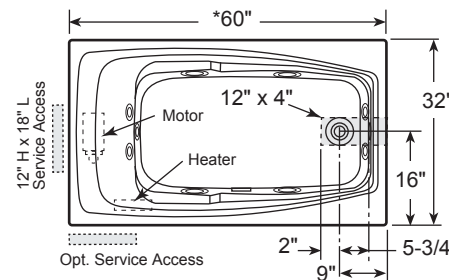
CETRA™ 532 PLUS, Left Hand



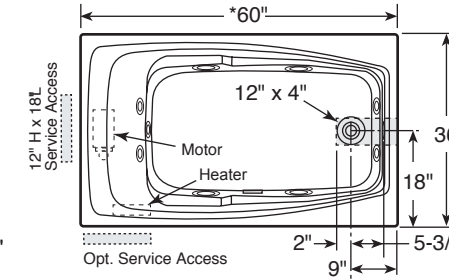
CETRA™ 536 PLUS, Left Hand



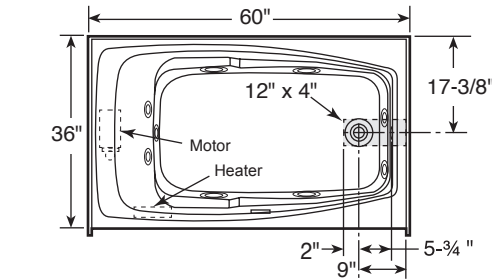
CETRA™ 536 WITH INTEGRAL SKIRT,
Left Hand



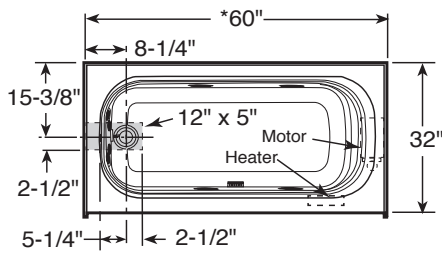
CETRA™ 532 PLUS, Right Hand



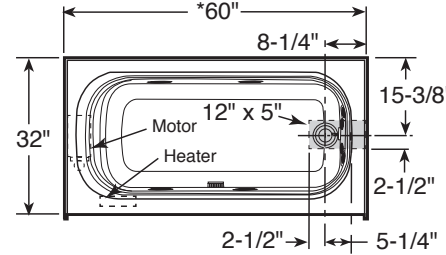
CETRA™ 536 PLUS, Right Hand



CETRA™ 536 WITH INTEGRAL SKIRT,
Right Hand



LUXURA™ 5 WITH INTEGRAL SKIRT,
Left Hand



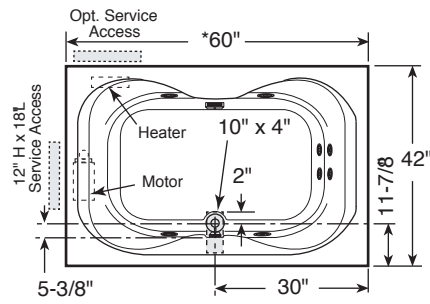
LUXURA™ 5 WITH INTEGRAL SKIRT,
Right Hand



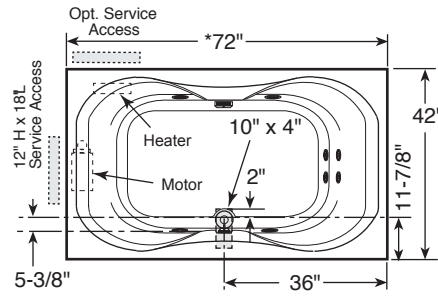
*Add 1/4" (6mm) to this dimension when roughing-in for 3-wall niche.

1. The overall dimensions are nominal with a tolerance of +0 and -1/4" (6mm).
2. Service Access dimensions given are minimum. Service access is still required for units that do not have pre-installed Pump/Motor.
3. Measurements inside each unit represent cutout in floor to allow for drain/overflow.
4. All measurements are in inches. To convert to millimeters, multiply inches by 25.4.
5. Not all export units come with pre-installed Pump/Motor.

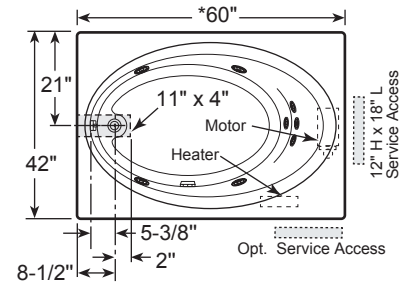
Roughing-In Reference - Rectangular



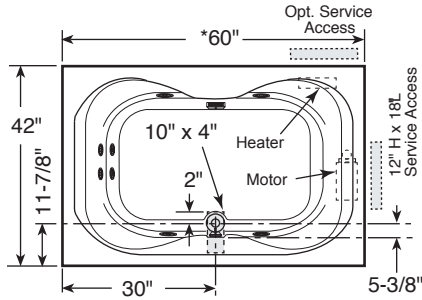
MITO™ 5 PLUS, Left Hand



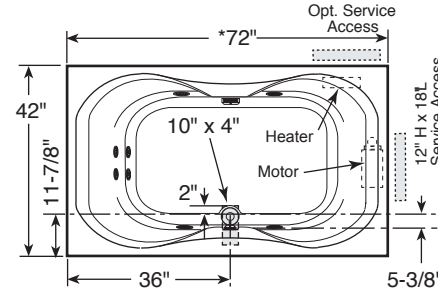
MITO™ 6 PLUS, Left Hand



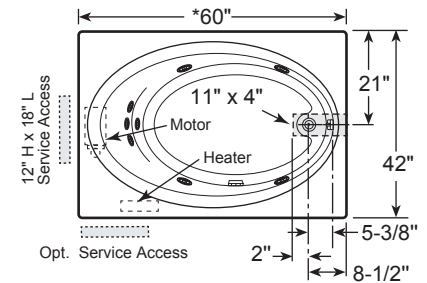
NOVA™ 5 PLUS, Left Hand



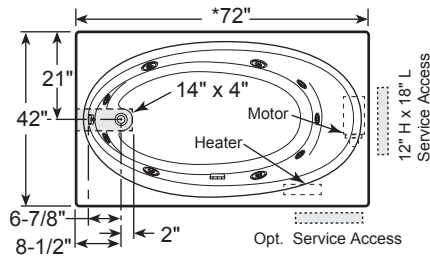
MITO™ 5 PLUS, Right Hand



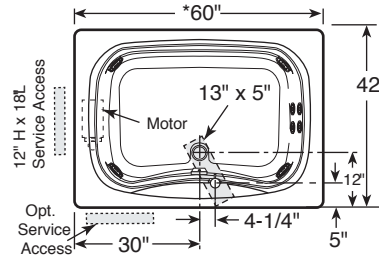
MITO™ 6 PLUS, Right Hand



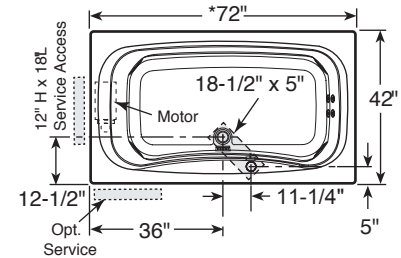
NOVA™ 5 PLUS, Right Hand



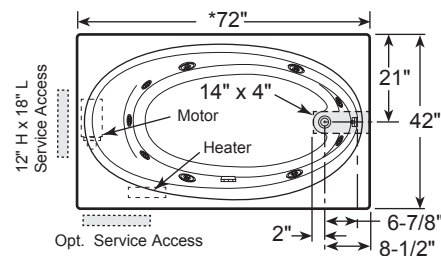
NOVA™ 6 PLUS, Left Hand



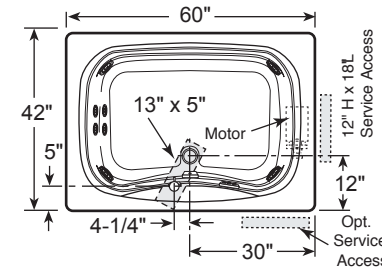
SIGNA™ 5, Left Hand



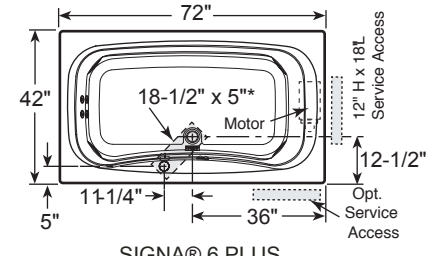
SIGNA™ 6, Left Hand



NOVA™ 6 PLUS, Right Hand



SIGNA® 5 PLUS



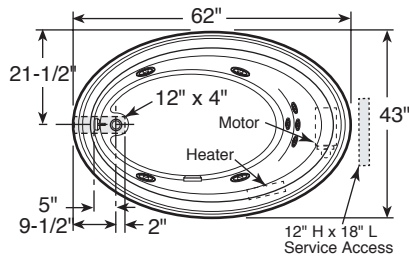
SIGNA® 6 PLUS



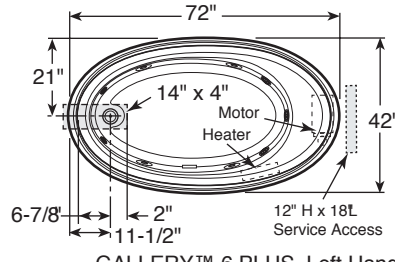
*Add 1/4" (6mm) to this dimension when roughing-in for 3-wall niche.

1. The overall dimensions are nominal with a tolerance of +0 and -1/4" (6mm).
2. Service Access dimensions given are minimum. Service access is still required for units that do not have pre-installed Pump/Motor.
3. Measurements inside each unit represent cutout in floor to allow for drain/overflow.
4. All measurements are in inches. To convert to millimeters, multiply inches by 25.4.
5. Not all export units come with pre-installed Pump/Motor.

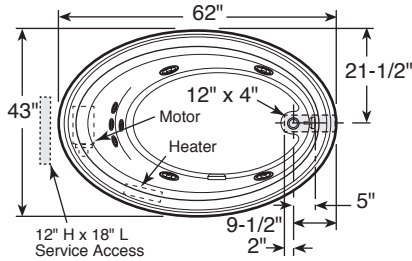
Roughing-In Reference - Oval



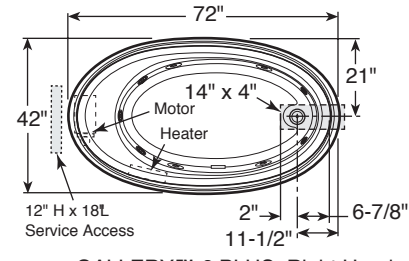
GALLERY™ 5 PLUS, Left Hand



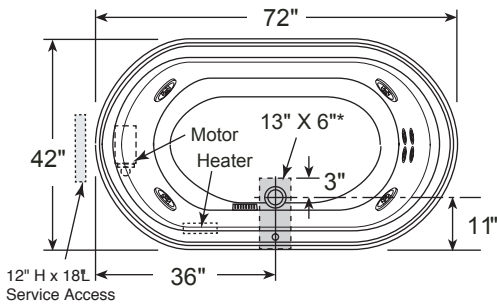
GALLERY™ 6 PLUS, Left Hand



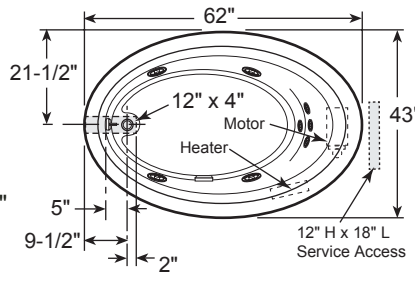
GALLERY™ 5 PLUS, Right Hand



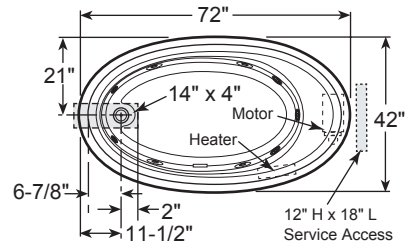
GALLERY™ 6 PLUS, Right Hand



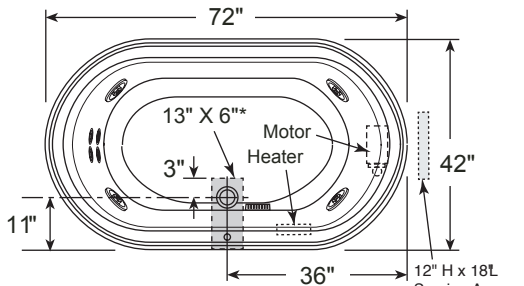
LUNA@PLUS, Left Hand



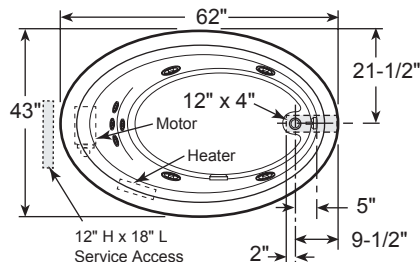
RIVA™ 5 PLUS, Left Hand



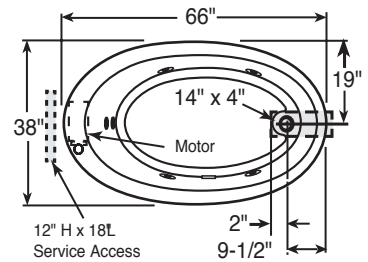
RIVA™ 6 PLUS, Left Hand



LUNA@PLUS, Right Hand



RIVA™ 5 PLUS, Right Hand

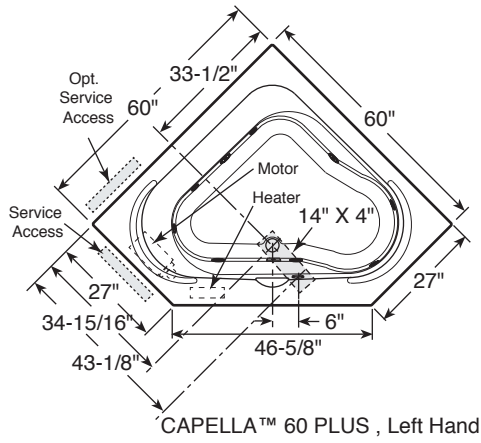


RIVA™ 5.5, Right Hand

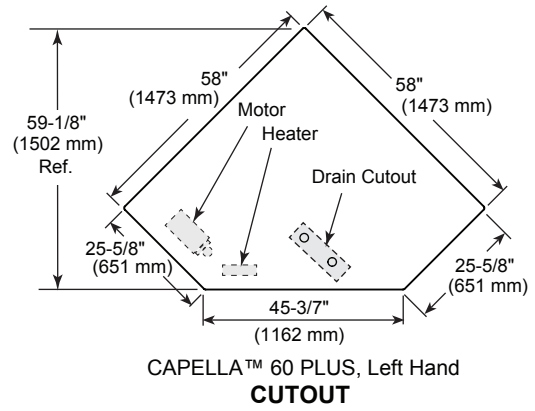
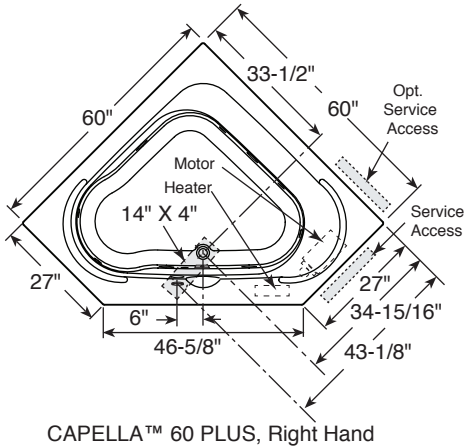


*Add 1/4" (6mm) to this dimension when roughing-in for 3-wall niche.

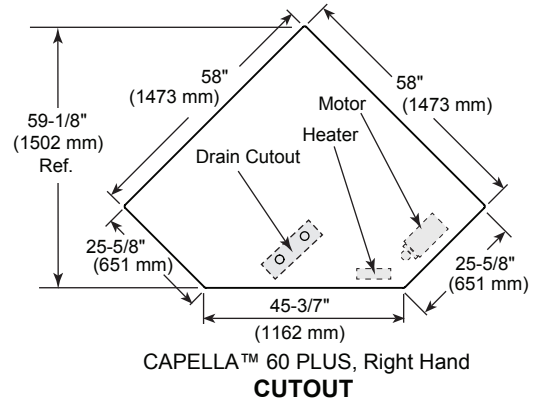
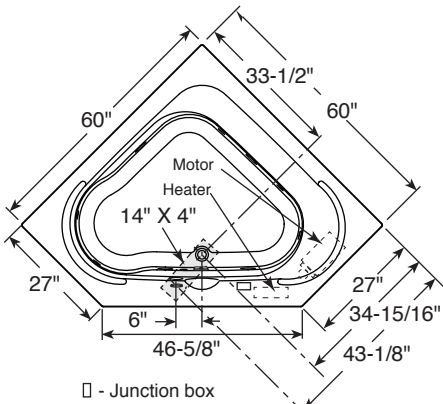
1. The overall dimensions are nominal with a tolerance of +0 and -1/4" (6mm).
2. Service Access dimensions given are minimum. Service access is still required for units that do not have pre-installed Pump/Motor.
3. Measurements inside each unit represent cutout in floor to allow for drain/overflow.
4. All measurements are in inches. To convert to millimeters, multiply inches by 25.4.
5. Not all export units come with pre-installed Pump/Motor.

Roughing-In Reference - Corner


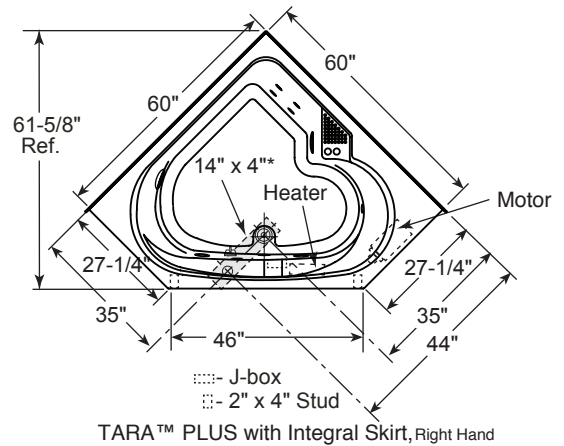
CAPELLA™ 60 PLUS, Left Hand


 CAPELLA™ 60 PLUS, Left Hand
CUTOUT


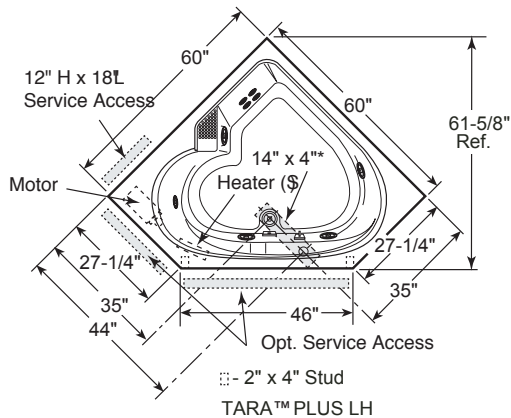
CAPELLA™ 60 PLUS, Right Hand


 CAPELLA™ 60 PLUS, Right Hand
CUTOUT


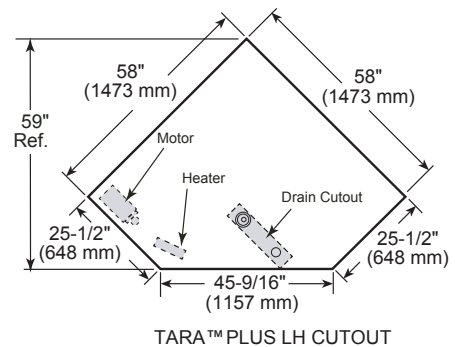
CAPELLA™ 60 PLUS with Integral Skirt, Right Hand



TARA™ PLUS with Integral Skirt, Right Hand

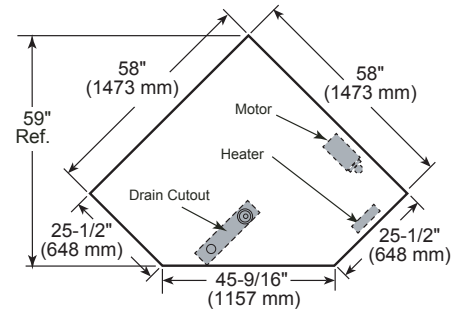
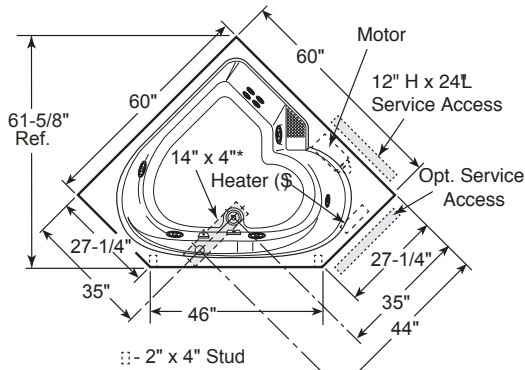
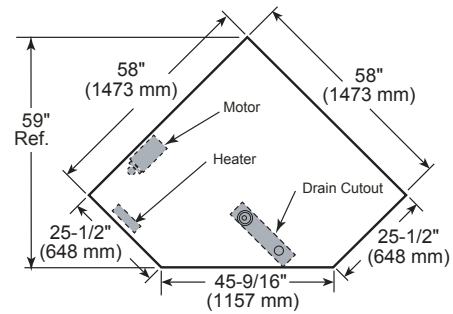
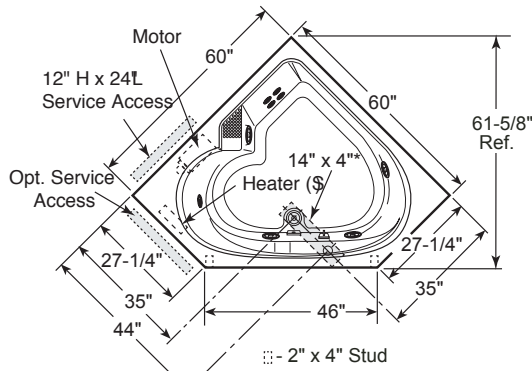
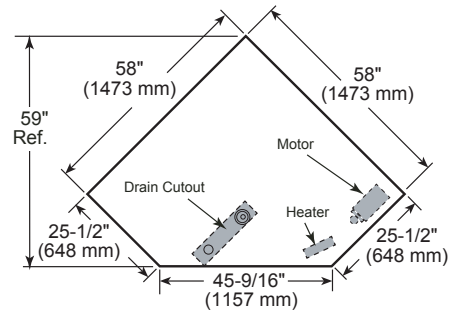
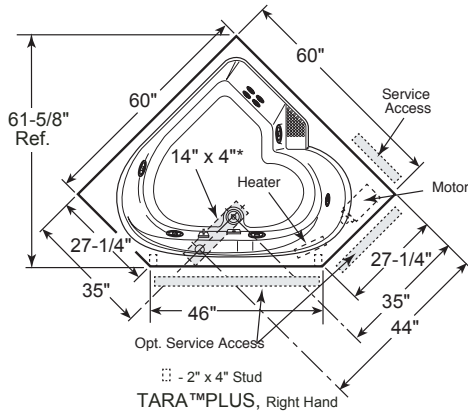


TARA™ PLUS LH



TARA™ PLUS LH CUTOUT

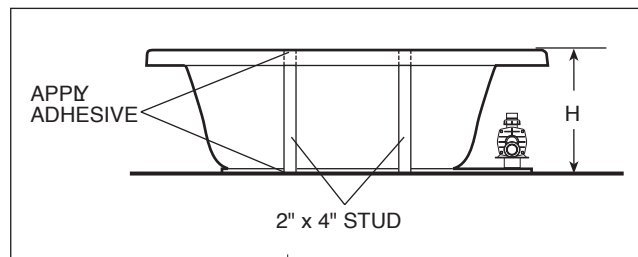
Roughing-In Reference - Corner



*Add 1/4" (6mm) to this dimension when roughing-in for 3-wall niche.

1. The overall dimensions are nominal with a tolerance of +0 and -1/4" (6mm).
2. Service Access dimensions given are minimum. Service access is still required for units that do not have pre-installed Pump/Motor.
3. Measurements inside each unit represent cutout in floor to allow for drain/overflow.
4. All measurements are in inches. To convert to millimeters, multiply inches by 25.4.
5. Not all export units come with pre-installed Pump/Motor.

SUPPORT FOR CORNER BATHS

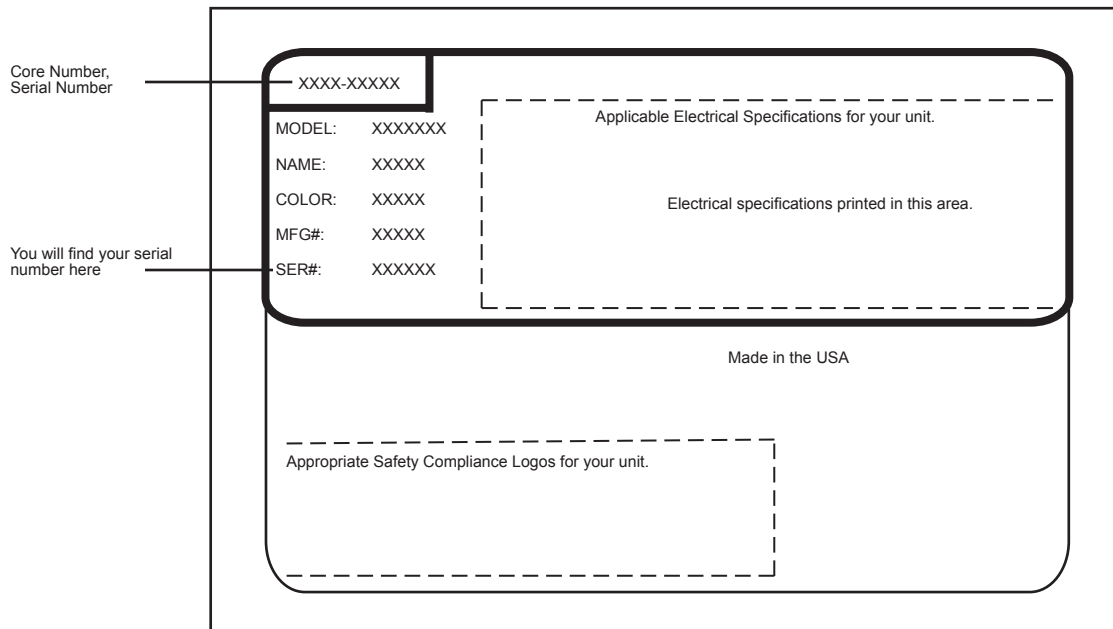


Authorized Service

If you need a referral for a service company near you, or need assistance with operation or maintenance-related questions, please call our Service Support Department at 1-800-288-4002. Visit our web site at <http://www.jacuzzi.com/> for products, services, and an online copy of these Installation and Operation Instructions.

When requesting service or technical assistance please have available both the model and serial number of your unit. This information can be obtained from the product registration card provided with your unit. If the card has been misplaced, this information can be obtained from the specification/serial number label on the unit itself. The label is located on the wall of the bathtub near the pump/motor.

SPECIFICATION/SERIAL NUMBER LABEL



PRODUCT SPECIFICATIONS ARE SUBJECT TO CHANGE WITHOUT NOTICE.

USE TECHNICAL SPECIFICATIONS MANUAL SUPPLIED WITH PRODUCT.

Jacuzzi® Luxury Bath has obtained applicable code (standards) listings generally available on a national basis for products of this type. It is the responsibility of the installer/owner to determine specific local code compliance prior to installation of the product.

Jacuzzi® Luxury Bath makes no representation or warranty regarding, and will not be responsible for any code compliance.

Jacuzzi® Luxury Bath
 14525 Monte Vista Avenue
 Chino, California, 91710
 1-800-288-4002
www.jacuzzi.com

Limited Lifetime Warranty on Jacuzzi Luxury Branded Baths for the Comfort, Comfort Plus, Pure Air®, Luxury, Salon™ Spa, and Pure Air® II Collections

WARRANTY COVERAGE

Jacuzzi Luxury Bath (the "Company") offers the following expressed limited lifetime warranty to the original purchaser of any Jacuzzi® Luxury Bath products provided in the Company's Comfort, Comfort Plus, Pure Air®, Pure Air® II, and Luxury™ collections ("Bath") who purchases the Bath for personal or single family residential use ("User"): The Company will repair or replace, at its sole option, the Bath or its equipment in accordance with the following terms and conditions. This warranty does not apply to non-branded Bath products manufactured by the Company.

LIFETIME WARRANTY ON BATHS

The Company extends to the User of the Bath a non-transferable limited lifetime warranty that the shell will maintain its structural integrity and configuration and be free of water loss due to a defect in the bathtub shell. This warranty covers only the bathtub shell and the manufacturer installed pump, jets, controls, and blower against defects in material or workmanship. This warranty does not apply to any display models or to any options or accessories which are covered under our limited ninety (90) day warranty set forth below. Warranty coverage begins on the date the unit was originally purchased by the User and upon receipt by the Company of a completely filled out Warranty Registration Card as described below.

2 YEAR LABOR WARRANTY FOR ALL FACTORY INSTALLED COMPONENTS

Our limited labor warranty is for a period of two (2) years from the date the unit was originally purchased by the User, but not more than Three (3) Years from date of manufacture. All factory installed components (e.g., pump, motor, blower, and plumbing) are covered under our labor warranty against failure due to defects in materials and workmanship.

NINETY DAY (PARTS ONLY) LIMITED WARRANTY ON OPTIONS AND ACCESSORIES

Our limited warranty on options and accessories is for ninety (90) days for parts only. Our warranty covers options and accessories manufactured (e.g., drains fill spout kits, trim kits, skirts, video monitors, plasma television screens, CD and MP3 players and other music and video devices and optional heaters) against defects in material or workmanship. Warranty coverage begins on the date the option or accessory was originally purchased by the User. These items may be covered by a manufacturer's warranty which may have a longer duration than this limited warranty. Please confirm with the manufacturer the duration of the appropriate warranty for Options and Accessories.

WARRANTY LIMITATIONS

Our limited warranty does not cover defects, damage, or failure caused by the common carrier, installer, user, or other persons, pets, or rodents, or resulting from, without limitation, any of the following: careless handling (lifting unit by plumbing, abrading finish, etc.) including its own negligence; modification of any type for any reason (including modification to meet local codes); improper installation (including installation not in accordance with instructions and specifications provided with the unit); connections supplied by the installer of the equipment; improper voltage supply or unauthorized electrical modification; misuse; incorrect operation, or lack of proper routine maintenance; operation of the unit without specified minimum amount of water or at inappropriate water temperature; use of abrasive or improper cleaners; or acts of God, such as lightning, floods, earthquakes, etc.

In addition, THE COMPANY WILL NOT BE RESPONSIBLE FOR INCIDENTAL OR CONSEQUENTIAL DAMAGES or losses arising from any cause (e.g., water damage to carpet, ceiling, tiles, marble, loss of use, etc.) including its own negligence; damages to, respecting, or resulting from: plated parts when pool and/or spa chemicals are used in the unit or hard water conditions; optional bath equipment not manufactured by the Company but supplied by Dealer, installer or the Company; the unit's prior usage as an operational display; or defects that should have been discovered before installation.

This limited warranty does not include: labor, transportation, or other costs incurred in the removal and/or reinstallation of the original unit and/or installation of a replacement unit; any costs relating to obtaining access for repair; or loss of use damage, including loss of sales, profit or business advantage of any kind under any circumstances. Bath units are excluded from any warranty coverage if any addition, deletion, or modification of any kind whatsoever has been made to the unit (or to any component). Warranty coverage is provided in the United States of America and Canada only.

EXCLUSION OF IMPLIED WARRANTIES

IMPLIED WARRANTIES OF MERCHANTABILITY AND FITNESS FOR A PARTICULAR PURPOSE ARE DISCLAIMED ALTOGETHER OR TO THE FULLEST EXTENT ALLOWED BY LAW.

NOTICE: This warranty gives you specific legal rights, and you may also have other rights which vary from state to state. There are no warranties applicable to Jacuzzi Luxury Bath products except as expressly stated herein or as implied by applicable state and federal laws. The Company will not be responsible for any statements or representations made in any form that go beyond, are broader than or are inconsistent with any authorized literature or specifications furnished by the Company. Some states do not allow limitations on how long an implied warranty lasts, or the exclusion or limitation of incidental or consequential damages, so the above limitations and exclusions may not apply to you.

RETURN OF WARRANTY REGISTRATION

To register your product, please go to our web-site Jacuzzi.com, click on Bath and Showers, then select ONLINE WARRANTY REGISTRATION from the top of the page. You will then be prompted to enter your product Serial Number followed by your warranty registration information. Or you may also register by completing the registration below and mailing it to jacuzzi at the address provided below.

The attached Warranty Registration MUST be filled out by the purchaser within thirty (30) days from purchase and received by Jacuzzi Luxury Bath in order for this warranty to become effective.

RESPONSIBILITIES OF OTHERS

Inspecting the unit prior to installation is the responsibility of the installer or building contractor who acts on behalf of the User. They are responsible for ensuring the unit is free of defect or damage. Notices are placed on and in the unit and on the shipping carton advising the installer of this responsibility. In the event of a problem, the unit must not be installed. The Company is not responsible for failures or damage that could have been discovered, repaired, or avoided by proper inspection and testing (including proper water testing) prior to installation.

Damage occurring in transit is the responsibility of the carrier. The User or installer MUST open the crate and inspect the unit for damage when it is delivered. If damage is discovered, it must be reported immediately to the seller and the carrier in writing, and an inspection requested. Failure of the carrier to respond should be reported to the seller and the carrier. Your freight claims should be filed promptly thereafter.

Damage occurring to the unit during installation is the responsibility of the installer and/or building contractor and damage occurring thereafter is the responsibility of the user.

Failure of any optional equipment is the sole responsibility of the equipment manufacturer except as provided above and shall not extend to or apply to any replacement parts for the Options and Accessories. Any replacement parts shall be covered by the original equipment manufacturer.

The Distributor or Dealer is responsible for knowing local code requirements and notifying the installing contractor and/or User of these requirements at the time of purchase. The Company is not responsible for costs to modify any product to obtain any code approval, such as city, county, or state building codes in U.S.A. or municipal or provincial codes in Canada.

WARRANTY SERVICE

For the customer's benefit, the Company maintains a list of independent service personnel to perform required warranty service repairs. Such firms are not agents or representatives of the Company and cannot bind the Company by words or conduct.

The Company will provide the warranty service described above when the following conditions have been met: the failure is of the nature or type covered by the warranty; the User has informed an Authorized Jacuzzi Luxury Bath Service Agent or Warranty Service Department Representative of the nature of the problem during the warranty period; conclusive evidence (e.g., proof of purchase or installation) is provided to the foregoing by the user proving that the failure occurred or was discovered within the warranty period; an authorized independent service person or Company representative has been permitted to inspect the unit during regular business hours within a reasonable time after the problem was reported by the User. In order to obtain warranty service, contact Jacuzzi Luxury Bath at:

jacuzzi.com
or
Warranty Service Department
14525 Monte Vista Avenue
Chino, California 91710
Call: 1-(800) 288-4002

To obtain warranty replacement for factory-installed components for Company supplied options and accessories manufactured and supplied by the Company, call or write the above. Provide a description of the problem and proof of purchase. You will be instructed how to obtain replacements and where to return, at your expense, the failed component(s), option(s), or accessory(ies).

All replacement parts, equipment, and repairs shall assume the remaining warranty period of the part(s) replaced.

The Company's warranty obligation shall be discharged upon tender of replacement or repair. The customer's refusal to accept the tender terminates the Company's warranty obligation.

Ninety-Day
Parts Only
Limited Warranty
On
Accessory(ies)

Free Manuals Download Website

<http://myh66.com>

<http://usermanuals.us>

<http://www.somanuals.com>

<http://www.4manuals.cc>

<http://www.manual-lib.com>

<http://www.404manual.com>

<http://www.luxmanual.com>

<http://aubethermostatmanual.com>

Golf course search by state

<http://golfingnear.com>

Email search by domain

<http://emailbydomain.com>

Auto manuals search

<http://auto.somanuals.com>

TV manuals search

<http://tv.somanuals.com>