



Mito means “myth” in Italian. Our Mito™ Pure Air® II bath is just the thing dreams are made of. Think of the Mito™ as a fantastic experience. Legendary hydrotherapy in a roomy, bow-tie shaped bathing well.

FEATURES:

- Exclusive 360° Balanced Airflow™ system
- 600 watt variable speed heated air blower
- Thermal Lumbar Comfort™ (TLC)
- Timed purge cycle
- Safely use salts and aromatic oils
- PrO3™ Ozone Sanitation System standard

Detail: A wonderfully deep bathing well and sculpted armrests form the inside of our Mito™ Pure Air® II bath. Simple, clean lines complete the stylish picture.



**Mito™ 6
PURE AIR® II BATH**

MODEL NUMBER:
BE20

EXTERIOR DIMENSIONS:
72" long x 42" wide x
21½" high

**INTERIOR DIMENSIONS
(AT BOTTOM):**
43¾" long x 27" wide
x 23" wide

OPERATING GALLONS:
60 gallons

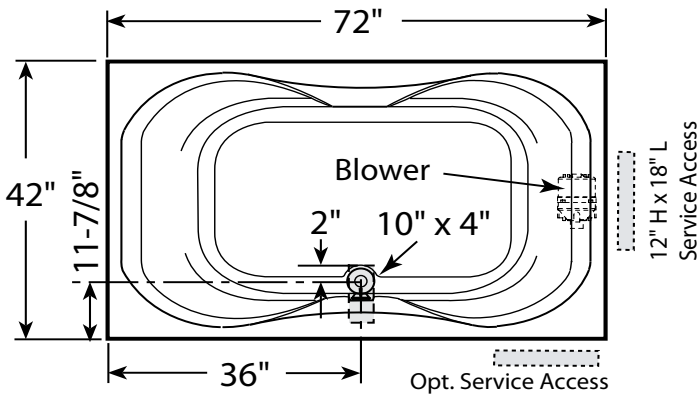




Mito™ 6 PURE AIR® II BATH

BE20 Mito™ 6 Pure Air® II Bath, Right Hand

- Center Drain Location
- Accessories / Hardware:
Trim Kit Rotary: #BN21
- Trim Kit Finishes Available:
(827) – Chrome
(898) – Brushed Chrome
(815) – Satin Nickel
(829) – Bright Brass
(805) – Platinum
(826) – Brushed Nickel
(845) – Oil Rubbed Bronze



**Product Shown: Mito® 6 Pure Air® II™ Bath
Right Hand Shown Model: BE20**

** Measurements inside unit represent cutout in floor to allow for drain/overflow.*

Minimum Service Access dimensions given.

INSTALLATION NOTES

Refer to installation instructions included with fixture before beginning installation. Please confirm product availability and specifications before commencing with any installation work.

PRODUCT SPECIFICATIONS AND AVAILABILITY ARE SUBJECT TO CHANGE WITHOUT NOTICE.

Technical Specifications

DIMENSIONS

72" L x 42" W x 21-1/2" H
(1829 mm) L x (1067 mm) W x (546 mm) H

DRAIN/OVERFLOW

A: 17-1/2" (445 mm) B: 11-7/8" (302 mm)

CUTOUT

70" x 40"

TOTAL WEIGHT

866 lb (393 kg) /41 lb/sq. ft. (201 kg/m²)

OPERATING GALLONAGE

60 U.S. Gal. (227 Liters)

PRODUCT WEIGHT

116 lb (53 kg)

SKIRT MOUNTING

Not Available

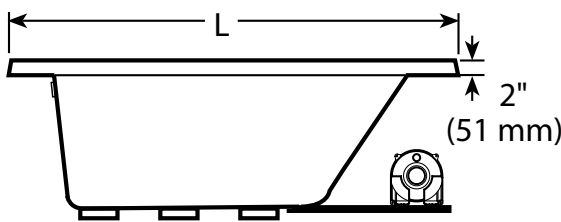
ELECTRICAL SPECIFICATIONS

Requires a dedicated GFCI protected separate circuit.

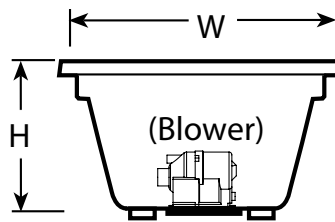
Blower: 120 VAC, 15 AMP, 60 Hz.

HEATER

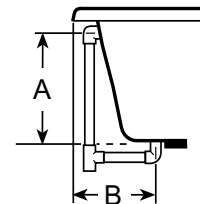
No water heater is available on this unit. Blower has integral air heater.



SIDE VIEW



END VIEW



DRAIN/OVERFLOW

Free Manuals Download Website

<http://myh66.com>

<http://usermanuals.us>

<http://www.somanuals.com>

<http://www.4manuals.cc>

<http://www.manual-lib.com>

<http://www.404manual.com>

<http://www.luxmanual.com>

<http://aubethermostatmanual.com>

Golf course search by state

<http://golfingnear.com>

Email search by domain

<http://emailbydomain.com>

Auto manuals search

<http://auto.somanuals.com>

TV manuals search

<http://tv.somanuals.com>