

signa® 5 pure air® II bath

the signa® pure air® II bath takes its name from the medieval central Italian walled city, lastra a signa.



Like the walled city for which it is named, Signa® 5 was specially developed and designed for walled surround spaces.

features:

- Exclusive 360° Balanced Airflow™ system
- 600 watt variable speed heated air blower
- Thermal Lumbar Comfort™ (TLC)
- Timed purge cycle
- Safely use salts and aromatic oils
- PrO3™ Ozone Sanitation System standard

signa® 5 pure air® II bath

model number: EA80

exterior dimensions:

60" long x 42" wide x 22" high

interior dimensions:

41" long x 25" wide

operating gallons:

64 gallons





Signa® 5 Pure Air® II Bath

Model: EA80

Ordering Information

Product Code:

EA80 Signa® 5 Pure Air® II Bath
Right Hand

- Center Drain Location
- Accessories / Hardware:
 - Trip-Lever Drain Kit #X559
 - Rotary Drain Kit, 26" Cable #8730
- Trim Kit Finishes Available:
 - (827) - Chrome
 - (898) - Brushed Chrome
 - (815) - Satin Nickel
 - (829) - Bright Brass
 - (805) - Platinum
 - (826) - Brushed Nickel
 - (849) - Oil Rubbed Bronze

Installation Notes

Refer to installation instructions included with fixture before beginning installation. Please confirm product availability and specifications before commencing with any installation work.

PRODUCT SPECIFICATIONS AND AVAILABILITY ARE SUBJECT TO CHANGE WITHOUT NOTICE.

Technical Specifications

Dimensions

60" L x 42" W x 22" H
(1524 mm) L x (1067 mm) W x (559 mm) H

Drain/Overflow

A: 17-1/2" (445 mm) B: 12-1/2" (318 mm)

Cutout

58" x 40" (1473 mm x 1016 mm)

Total Weight

1061 lb (481 kg) / 58.9 lb/ft² (288 kg/m²)

Operating Gallonage

64 U.S. Gal. (242 Liters)
Min. 46 U.S. Gal. (174 liters)
Max. 82 U.S. Gal. (310 liters)

Product Weight

128 lb (58 kg)

Skirt Mounting

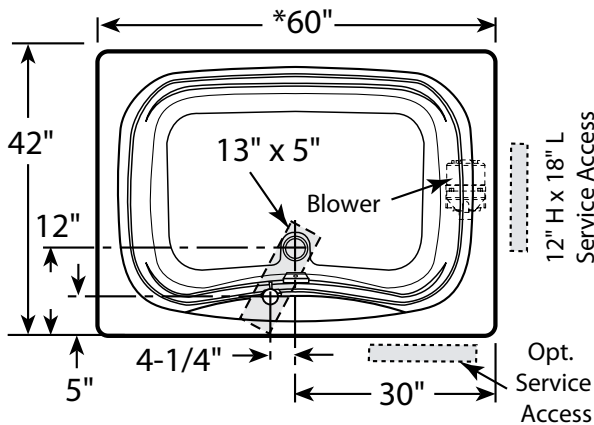
Optional, U-Frame

Electrical Specifications

Requires a dedicated GFCI protected separate circuit.
Blower: 120 VAC, 15 AMP, 60 Hz.

Heater

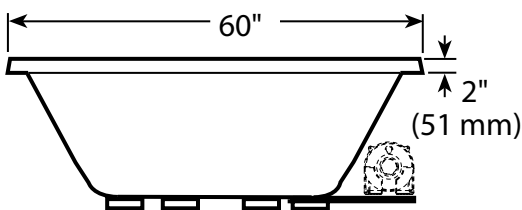
No water heater is available on this unit. Blower has integral air heater.



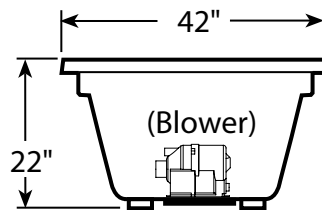
Product Shown: Signa® 5 Pure Air® II Bath Right Hand Model: EA80

* Measurements inside unit represent cutout in floor to allow for drain/overflow.

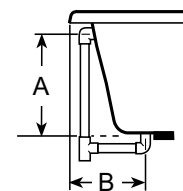
Minimum Service Access dimensions given.



SIDE VIEW



END VIEW



DRAIN/OVERFLOW

Free Manuals Download Website

<http://myh66.com>

<http://usermanuals.us>

<http://www.somanuals.com>

<http://www.4manuals.cc>

<http://www.manual-lib.com>

<http://www.404manual.com>

<http://www.luxmanual.com>

<http://aubethermostatmanual.com>

Golf course search by state

<http://golfingnear.com>

Email search by domain

<http://emailbydomain.com>

Auto manuals search

<http://auto.somanuals.com>

TV manuals search

<http://tv.somanuals.com>