

In Italy, it means beautiful view. To you, a wonderful place to regain relaxed, revitalized perspective.

WHIRLPOOL BATH FEATURES:

- 4 fully adjustable PowerPro® jets
- 4 spinning neck jets
- 2 directionally adjustable AccuPro™ foot jets
- Sculpted armrest and contoured backrest
- Multi-speed motor
- Chromatherapy™ lighting system capable of 256 colors
- Wave Pulse™ system
- All-in-one electronic control panel
- Water-level sensor
- ProO₃™ Ozone Sanitation System standard

Detail: The Bellavista™ whirlpool bath's perfectly placed PowerPro® and AccuPro™ jets work in concert with a deeply contoured backrest to offer the ultimate in hydrotherapy.



**Bellavista™ 5.5
WHIRLPOOL BATH**

MODEL NUMBER:
EE15

EXTERIOR DIMENSIONS:
66" long x 42" wide x
26" high

INTERIOR DIMENSIONS:
46" long x 24" wide

OF JETS/TYPE OF JETS:
4 PowerPro® Jets
4 Spinning Neck Jets
2 AccuPro™ Foot Jets

OPERATING GALLONS:
85 gallons

**Bellavista™ 5.5
SOAKING BATH**

MODEL NUMBER:
Y890

EXTERIOR DIMENSIONS:
66" long x 42" wide x
26" high

INTERIOR DIMENSIONS:
46" long x 24" wide



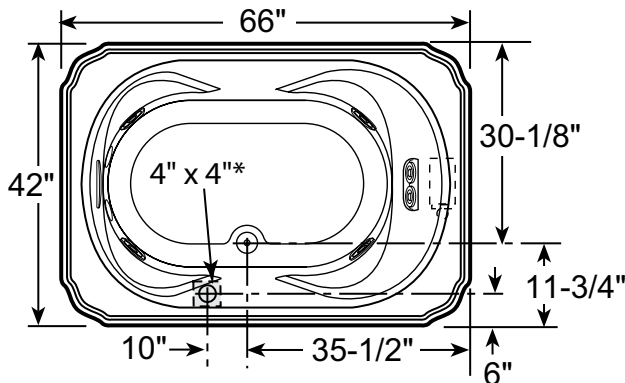
Bellavista™ 5.5 WHIRLPOOL BATH

EE15 Bellavista™ 5.5 Whirlpool Bath, Right Hand

Bellavista™ 5.5 SOAKER BATH

Y890 Bellavista™ 5.5 Bath

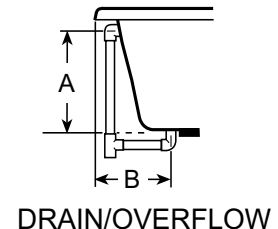
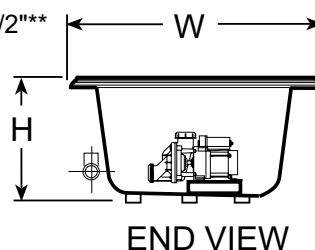
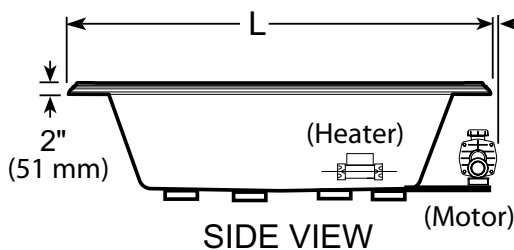
- Center Drain Location
- Accessories / Hardware:
 - AccuPro™ Ring Kit: #M952
 - AccuPro™ Ring Kit: #J869
 - 2 x Neck Jet Ring Trim Kit: #P556
 - Oval Trim Kit: #N557
 - Rotary Drain Kit, 30" Cable: #K606
- Trim Kit Finishes Available:
 - (827) – Chrome
 - (898) – Brushed Chrome
 - (815) – Satin Nickel
 - (829) – Bright Brass
 - (805) – Platinum
 - (826) – Brushed Nickel
 - (845) – Oil Rubbed Bronze



Product Shown: Bellavista™ 5.5 Bath
Right Hand Shown, Model: EE15

* Measurements inside unit represent cutout in floor to allow for drain/overflow.

Minimum Service Access dimensions given.



INSTALLATION NOTES

Refer to installation instructions included with fixture before beginning installation. Please confirm product availability and specifications before commencing with any installation work.

PRODUCT SPECIFICATIONS AND AVAILABILITY ARE SUBJECT TO CHANGE WITHOUT NOTICE.

Technical Specifications

DIMENSIONS

66" L x 42" W x 26" H
(1676 mm) L x (1067 mm) W x (660 mm) H

DRAIN/OVERFLOW

A: 20" (508 mm) B: 11-3/4" (298 mm)

CUTOUT

Template Provided P/N P187000

TOTAL WEIGHT

EE15: 1078 lb (489 kg) / 56 lb/sq. ft. (273 kg/m²)
Y890: 1078 lb (489 kg) / 56 lb/sq. ft. (273 kg/m²)

OPERATING GALLONAGE

85 U.S. Gal. (322 Liters)

PRODUCT WEIGHT

EE15: 120 lb (56 kg)
Y890: 120 lb (56 kg)

SKIRT MOUNTING

Not Available

ELECTRICAL SPECIFICATIONS — Model EE15 only

Requires a dedicated GFCI protected separate circuit.

Motor/Pump: 120 VAC, 20 AMP, 60 Hz.

RapidHeat™: 120 VAC, 15 AMP, 60 Hz.

HEATER (STANDARD) — Model EE15 only

Requires a dedicated GFCI protected separate circuit.

RapidHeat™: P/N S750000

Free Manuals Download Website

<http://myh66.com>

<http://usermanuals.us>

<http://www.somanuals.com>

<http://www.4manuals.cc>

<http://www.manual-lib.com>

<http://www.404manual.com>

<http://www.luxmanual.com>

<http://aubethermostatmanual.com>

Golf course search by state

<http://golfingnear.com>

Email search by domain

<http://emailbydomain.com>

Auto manuals search

<http://auto.somanuals.com>

TV manuals search

<http://tv.somanuals.com>