



Bathing has never been like this before. Incorporating exotic woods, acrylic and state-of-the art bathing technologies, the Fuzion™ combines everything you need to create your ideal spa experience.

**WHIRLPOOL BATH FEATURES:**

- Multi-speed motor
- 4 fully adjustable TheraPro® jets
- 11 directionally adjustable AccuPro™ jets
- 256 color Chromatherapy lighting system
- Water level sensor
- Sculpted armrest and contoured backrest with pillows
- All-in-one electronic control panel
- Infinity-edge drain system
- RapidHeat™ inline heater
- Undermount or choose Wenge or Teak wooden deck
- ProO<sub>3</sub>™ Ozone Sanitation System standard

**Fuzion™ 6666  
WHIRLPOOL  
BATH with  
CHROMATHERAPY**

**MODEL NUMBER:**  
EH20 (Teak LH)  
EG90 (Teak RH)  
EH25 (Wenge LH)  
EG95 (Wenge RH)

**EXTERIOR DIMENSIONS:**  
66" long x 66" wide x  
22<sup>3</sup>/<sub>4</sub>" high

**# OF JETS/TYPE OF JETS:**  
4 TheraPro™  
7 Back Jets  
4 Foot Jets

**OPERATING GALLONS:**  
TBD

**Fuzion™ 6666  
WHIRLPOOL  
BATH with  
ILLUMATHERAPY™**

**MODEL NUMBER:**  
EH35 (Teak LH)  
EH05 (Teak RH)  
EH40 (Wenge LH)  
EH10 (Wenge RH)

**EXTERIOR DIMENSIONS:**  
66" long x 66" wide x  
22<sup>3</sup>/<sub>4</sub>" high

**# OF JETS/TYPE OF JETS:**  
4 TheraPro™  
7 Back Jets  
4 Foot Jets

**OPERATING GALLONS:**  
TBD



# Fuzion™ 6666

## WHIRLPOOL BATH with CHROMATHERAPY

<b>EH20</b>	Fuzion™ 6666 Whirlpool Bath Teak, Left Hand
<b>EG90</b>	Fuzion™ 6666 Whirlpool Bath Teak, Right Hand
<b>EH25</b>	Fuzion™ 6666 Whirlpool Bath Wenge, Left Hand
<b>EG95</b>	Fuzion™ 6666 Whirlpool Bath Wenge, Right Hand



# Fuzion™ 6666

## WHIRLPOOL BATH with ILLUMATHERAPY™

<b>EH35</b>	Fuzion™ 6666 Whirlpool Bath Teak, Left Hand
<b>EH05</b>	Fuzion™ 6666 Whirlpool Bath Teak, Right Hand
<b>EH40</b>	Fuzion™ 6666 Whirlpool Bath Wenge, Left Hand
<b>EH10</b>	Fuzion™ 6666 Whirlpool Bath Wenge, Right Hand

- Center Drain Location
- Overflow fitting comes with tub
- Accessories / Hardware:
  - HTC Jet Trim Kit: #D095
  - Oval Trim Kit: #N557
  - BMH 2 Jet trim Kit: # J869 (2 kits required)
- Trim Kit Finishes Available:
  - (827) – Chrome
  - (898) – Brushed Chrome
  - (815) – Satin Nickel
  - (829) – Bright Brass
  - (805) – Platinum
  - (826) – Brushed Nickel
  - (845) – Oil Rubbed Bronze

### INSTALLATION NOTES

Refer to installation instructions included with fixture before beginning installation. Please confirm product availability and specifications before commencing with any installation work.

PRODUCT SPECIFICATIONS AND AVAILABILITY ARE SUBJECT TO CHANGE WITHOUT NOTICE.

## Technical Specifications

### DIMENSIONS

66" L x 66" W x 22<sup>3</sup>/<sub>4</sub>" H  
(1676) mm L x (1676) mm W x (578) mm H

### DRAIN/OVERFLOW

A: 16<sup>13</sup>/<sub>16</sub>" (427 mm) B: 12<sup>1</sup>/<sub>8</sub>" (308 mm)

### CUTOUT

See Below

### TOTAL WEIGHT

TBD

### OPERATING GALLONAGE

TBD

### PRODUCT WEIGHT

TBD

### SKIRT MOUNTING

Not Available

### ELECTRICAL SPECIFICATIONS

**Requires a dedicated GFCI protected separate circuit.**

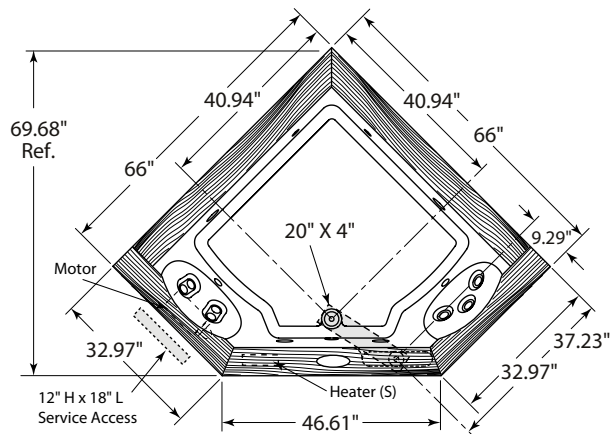
Motor/Pump: 120 VAC, 20 AMP, 60 Hz.

RapidHeat™: 120 VAC, 15 AMP, 60 Hz.

### HEATER (STANDARD)

**Requires a dedicated GFCI protected separate circuit.**

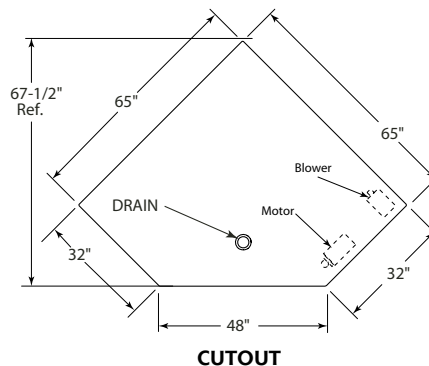
RapidHeat™: P/N S750000



**Product Shown: Fuzion™ 6666 Whirlpool Bath Teak with Illumatherapy Left Hand Model: EH35**

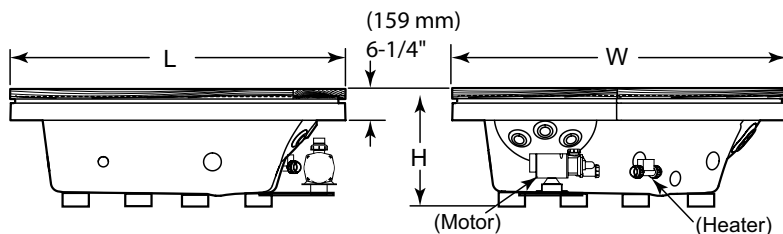
\* Measurements inside unit represent cutout in floor to allow for drain/overflow.

Minimum Service Access dimensions given.



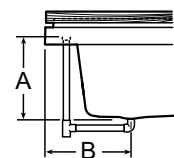
**CUTOUT**

**Faucet Installation Note:**  
Selecting a faucet for rim mounting: The combined thickness at the rim of the tub shell and the wood trim is 2" (50,8 mm) nominal. The length of the faucet tailpiece(s) must be long enough to extend past this dimension and have ample clearance to assemble any hardware (i.e. locknut, water supply fittings, etc.) necessary for installation.



**SIDE VIEW**

**END VIEW**



**DRAIN/OVERFLOW**

## Free Manuals Download Website

<http://myh66.com>

<http://usermanuals.us>

<http://www.somanuals.com>

<http://www.4manuals.cc>

<http://www.manual-lib.com>

<http://www.404manual.com>

<http://www.luxmanual.com>

<http://aubethermostatmanual.com>

Golf course search by state

<http://golfingnear.com>

Email search by domain

<http://emailbydomain.com>

Auto manuals search

<http://auto.somanuals.com>

TV manuals search

<http://tv.somanuals.com>