



DESIGNER/LUXURY BATH SERIES

INSTALLATION / OPERATION INSTRUCTIONS

Save These Instructions for Future Use.

Complete and mail-in the product registration card provided with your unit.
Write and save the model and serial number of your unit below.

Owner's Record

Date Purchased _____

Purchased From _____

Installed By _____

Serial Number _____

Model _____

Installer: Leave this manual for homeowner.
Homeowner: Read this manual and keep for future reference.

IMPORTANT SAFETY INSTRUCTIONS READ AND FOLLOW ALL INSTRUCTIONS SAVE THESE INSTRUCTIONS

INSTRUCTIONS PERTAINING TO A RISK OF FIRE, ELECTRIC SHOCK, OR INJURY TO PERSONS

WARNING — WHEN USING THIS UNIT, BASIC PRECAUTIONS SHOULD ALWAYS BE FOLLOWED, INCLUDING THE FOLLOWING:

DANGER: — TO REDUCE THE RISK OF INJURY, DO NOT PERMIT CHILDREN TO USE THIS UNIT UNLESS THEY ARE CLOSELY SUPERVISED AT ALL TIMES.

WARNING — USE THIS UNIT ONLY FOR ITS INTENDED USE AS DESCRIBED IN THIS MANUAL. DO NOT USE ATTACHMENTS NOT RECOMMENDED BY THE MANUFACTURER.

WARNING — NEVER DROP OR INSERT ANY OBJECT INTO ANY OPENING.

WARNING — DO NOT OPERATE THIS UNIT WITHOUT THE GUARD OVER THE SUCTION FITTING.

WARNING — THIS UNIT MUST BE CONNECTED ONLY TO A SUPPLY CIRCUIT THAT IS PROTECTED BY A GROUND FAULT CIRCUIT INTERRUPTER (GFCI). SUCH A GFCI SHOULD BE PROVIDED BY THE INSTALLER AND SHOULD BE TESTED ON A ROUTINE BASIS. TO TEST THE GFCI, PUSH THE TEST BUTTON. THE GFCI SHOULD INTERRUPT POWER. PUSH THE RESET BUTTON. POWER SHOULD BE RESTORED. IF THE GFCI FAILS TO OPERATE IN THIS MANNER, THE GFCI IS DEFECTIVE. IF THE GFCI INTERRUPTS POWER TO THE BATHTUB WITHOUT THE TEST BUTTON BEING PUSHED, A GROUND CURRENT FLOWING, INDICATING A POSSIBILITY OF AN ELECTRIC SHOCK. DO NOT USE THIS HYDROMASSAGE BATHTUB. DISCONNECT THE HYDROMASSAGE BATHTUB AND HAVE THE PROBLEM CORRECTED BY A QUALIFIED SERVICE REPRESENTATIVE BEFORE USING.

WARNING — (FOR PERMANENTLY CONNECTED UNITS) A GREEN COLORED TERMINAL (OR A WIRE CONNECTOR MARKED “G”, “GR”, “GROUND”, OR “GROUNDING”) IS PROVIDED WITHIN THE TERMINAL COMPARTMENT. TO REDUCE THE RISK OF ELECTRIC SHOCK, CONNECT THE TERMINAL OR CONNECTOR TO THE GROUNDING TERMINAL OF YOUR ELECTRIC SERVICE OR SUPPLY PANEL WITH A CONDUCTOR EQUIVALENT IN SIZE TO THE CIRCUIT CONDUCTORS SUPPLYING THIS EQUIPMENT.

OPERATING

WARNING — PROLONGED IMMERSION IN HOT WATER MAY INDUCE HYPERTHERMIA. HYPERTHERMIA OCCURS WHEN THE INTERNAL TEMPERATURE OF THE BODY REACHES A LEVEL SEVERAL DEGREES ABOVE THE NORMAL BODY TEMPERATURE OF 98.6°F. THE SYMPTOMS OF HYPERTHERMIA INCLUDE AN INCREASE IN THE INTERNAL TEMPERATURE OF THE BODY, DIZZINESS, LETHARGY, DROWSINESS AND FAINTING. THE EFFECTS OF HYPERTHERMIA INCLUDE:

- A) FAILURE TO PERCEIVE HEAT
- B) FAILURE TO RECOGNIZE THE NEED TO EXIT THE SPA OR HOT TUB,
- C) UNAWARENESS OF IMPENDING HAZARD,
- D) FETAL DAMAGE IN PREGNANT WOMEN,
- E) PHYSICAL INABILITY TO EXIT THE SPA OR HOT TUB, AND
- F) UNCONSCIOUSNESS RESULTING IN DANGER OF DROWNING.

WARNING — THE USE OF ALCOHOL, DRUGS OR MEDICATION CAN GREATLY INCREASE THE RISK OF FATAL HYPERTHERMIA.

WARNING — DO NOT TAMPER WITH USER-OPERATED CONTROLS OR SUCH DEVICES.

INSTALLATION INSTRUCTIONS

WARNING — WHEN USING THIS UNIT, BASIC PRECAUTIONS SHOULD ALWAYS BE FOLLOWED, INCLUDING THE FOLLOWING:

DANGER — RISK OF ELECTRIC SHOCK. CONNECT ONLY TO A CIRCUIT PROTECTED BY A GROUND FAULT CIRCUIT INTERRUPTER (GFCI).

CAUTION — TEST THE GROUND FAULT CIRCUIT INTERRUPTER PROTECTING THIS APPLIANCE PERIODICALLY IN ACCORDANCE WITH MANUFACTURER'S INSTRUCTIONS.

WARNING — USE THIS UNIT ONLY FOR ITS INTENDED USE AS DESCRIBED IN THIS MANUAL. DO NOT USE ATTACHMENTS NOT RECOMMENDED BY THE MANUFACTURERS.

WARNING — TO AVOID INJURY, EXERCISE CAUTION WHEN ENTERING OR EXITING THE HYDROMASSAGE BATHTUB.

WARNING — KEEP BODY AND HAIR A MINIMUM OF 6" (15,2 cm) AWAY FROM SUCTION FITTING AT ALL TIMES WHEN THE HYDROMASSAGE SYSTEM IS OPERATING. HAIR LONGER THAN SHOULDER LENGTH SHOULD BE SECURED CLOSE TO THE HEAD.

WARNING — RISK OF ELECTRICAL SHOCK; DO NOT PERMIT ELECTRICAL APPLIANCES (SUCH AS HAIR DRYER, LAMP, TELEPHONE, RADIO OR TELEVISION) WITHIN 60" (1,5 M) OF THIS HYDROMASSAGE BATHTUB.

WARNING — RISK OF ACCIDENTAL INJURY OR DROWNING; DO NOT USE DRUGS OR ALCOHOL BEFORE OR DURING THE USE OF HYDROMASSAGE BATHTUB EQUIPPED WITH A HEATER TO AVOID UNCONSCIOUSNESS AND POSSIBLE DROWNING.

WARNING — RISK OF FETAL INJURY; PREGNANT OR POSSIBLY PREGNANT WOMEN SHOULD CONSULT A PHYSICIAN BEFORE USING A HYDROMASSAGE BATHTUB EQUIPPED WITH A HEATER.

WARNING — RISK OF HYPERTHERMIA AND POSSIBLE DROWNING; DO NOT USE A HYDROMASSAGE BATHTUB EQUIPPED WITH A HEATER IMMEDIATELY FOLLOWING STRENUOUS EXERCISE.

WARNING — RISK OF HYPERTHERMIA AND POSSIBLE DROWNING; WATER TEMPERATURE IN EXCESS OF 104°F (40°C) MAY BE INJURIOUS TO YOUR HEALTH. CHECK AND ADJUST WATER TEMPERATURE BEFORE USE.

WARNING — RISK OF HYPERTHERMIA; PEOPLE USING MEDICATIONS AND/OR HAVING AN ADVERSE MEDICAL HISTORY SHOULD CONSULT A PHYSICIAN BEFORE USING A HYDROMASSAGE BATHTUB EQUIPPED WITH A HEATER.

FOR BUILT-IN AND DROP-IN UNITS, INSTALL TO PERMIT ACCESS FOR SERVICING.

THIS UNIT SHOULD BE ELECTRICALLY GROUNDED AND INSTALLED BY A LICENSED CONTRACTOR, ELECTRICIAN, AND PLUMBER.

BUILDING MATERIALS AND WIRING SHOULD BE ROUTED AWAY FROM THE MOTOR/PUMP OR BLOWER OR OTHER HEAT PRODUCING COMPONENTS OF THIS UNIT.

A PRESSURE WIRE CONNECTOR IS PROVIDED ON THE EXTERIOR OF THE MOTOR/PUMP AND HEATER TO PERMIT CONNECTION OF AN NO. 8 AWG (8.4 MM) SOLID COPPER BONDING CONDUCTOR BETWEEN THIS UNIT AND ALL OTHER ELECTRIC EQUIPMENT AND EXPOSED METAL IN THE VICINITY, AS NEEDED TO COMPLY WITH LOCAL REQUIREMENTS.

PRECAUTIONS

- Do not operate the hydromassage system unless the bath is filled with water to at least 1" to 2" (2,5 - 5,08 cm) above the highest jet.
- Do not immerse the control panel by overfilling the bath.
- Do not use oil-based bath additives in your hydromassage bath.
- When cleaning your bath, do not use abrasive substances which will damage the bath's surface.
- To prevent discoloration of the acrylic finish, do not fill the bath with water in excess of 140°F (60°C).

NOTE: This is a professional grade product. A knowledge of construction techniques, plumbing and electrical installation according to codes are required for proper installation and user satisfaction. We recommend that a licensed contractor perform the installation of all Jacuzzi Whirlpool Bath products. Our warranty does not cover improper installation related problems.

PRODUCT SPECIFICATIONS ARE SUBJECT TO CHANGE WITHOUT NOTICE.

USE INSTALLATION INSTRUCTIONS SUPPLIED WITH PRODUCT.

The Company has obtained applicable code (standards) listings generally available on a national basis for products of this type. It is the responsibility of the installer/owner to determine specific local code compliance prior to installation of the product. The Company makes no representation or warranty regarding, and will not be responsible for any code compliance.

CONTENTS

Safety Instructions	2-3
Contents	4
Specifications	5-8
Roughing-in Reference	9-13
Installations Instructions	14-19
Framing and Support	14
Service Access	15
ALLUSION Installation	16-17
Electrical Connections	18
Plumbing and Water Supply	19
Clean Up After Installation	19
Operating Instructions	20-22
Maintenance Instructions	23-24
General Troubleshooting Guide	25
Authorized Service	26
Warranty	27-28

NOTE: If you need a referral for a service company near you, or need assistance with operation or maintenance related questions, please call our Service Support Department at 1-800-288-4002. Visit our web site at <http://www.jacuzzi.com/> for products and services.

To find service agent listings for:

Electrical or Mechanical Repairs visit <http://jacuzzi.com/pdf/ASA.PDF>

Finish, Surface, or Shell-Related Repairs visit <http://jacuzzi.com/pdf/AFC.PDF>

Repair Parts or Accessories visit <http://jacuzzi.com/pdf/MPD.PDF>

SPECIFICATIONS

Important: Read complete instructions before beginning installation.

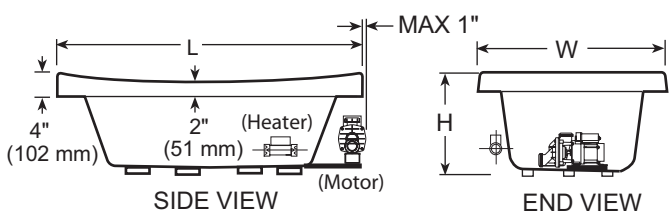
Each whirlpool bath arrives ready for installation, completely equipped with motor/pump assembly, heater, plumbing, and fittings necessary for whirlpool operation. An optional drain/overflow kit is available for installation on the bath.

Remove the bath from the carton. Retain the shipping carton until satisfactory inspection of the product has been made. **Do not lift the bath by the plumbing at any time; handle by the shell only.**

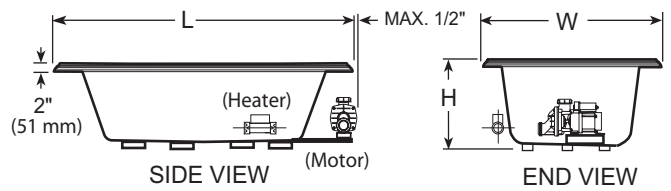
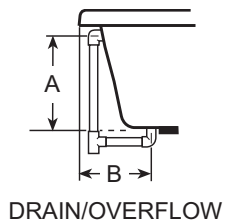
Immediately upon receipt, inspect the shell before installing. Should inspection reveal any damage or defect in the finish, do not install the bath. Damage or defect to the finish claimed after the bath is installed is excluded from the warranty. Jacuzzi Whirlpool Bath's responsibility for shipping damage ceases upon delivery of the products in good order to the carrier. Refer any claims for damage to the carrier. For definitions of warranty coverage and limitations, refer to the published warranty information packed with the product.

All bath units are factory tested for proper operation and watertight connections prior to shipping. **NOTE: Prior to installation, the bath must be filled with water and operated to check for leaks that may have resulted from shipping damage or mishandling.** Jacuzzi Whirlpool Bath is not responsible for any defect that could have been discovered, repaired, or avoided by following this inspection and testing procedure.

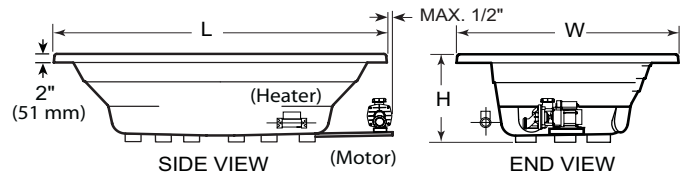
ENGLISH



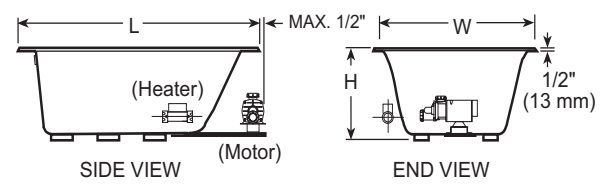
ALLUSION



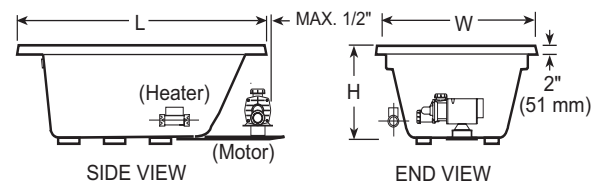
BELLAVISTA



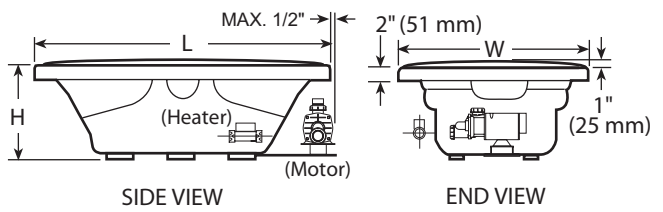
CIPREA™, Right Hand



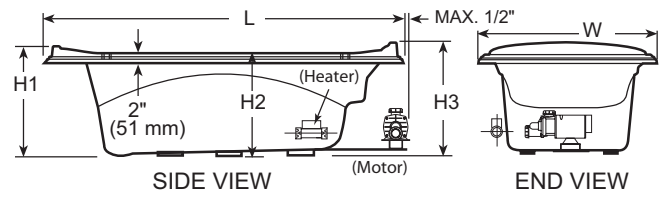
ELARA



REAL™, Right Hand



SABELLA



TORRETTA 36

SPECIFICATIONS

SPECIFICATIONS (Rectangular) LH = Left Hand, RH = Right Hand

ENGLISH

MODEL	DIMENSIONS	DRAIN/OVERFLOW	CUTOUT	TOTAL WEIGHT/ FLOOR LOADING	OPERATING GALLONAGE	PRODUCT WEIGHT	SKIRT & MOUNTING	HEATER, INTAKE/DISCHARGE
ALLUSION™ 6636 RH	66" (1676 mm) L 36" (914 mm) W 26" (660 mm) H	17-3/8" (441 mm) A 11-15/16" (210 mm) B	Template Provided P/N BY20000	843 lb (383 kg)/ 51 lb/ft² (248 kg/m²)	Min - 55 U.S. gal (208 liters) Max - 75 U.S. gal (284 liters)	135 lb (61 kg)	Not Available	Factory Installed Intake (S749000 Heater)
ALLUSION™ 7236 RH	72" (1829 mm) L 36" (914 mm) W 26" (660 mm) H	17-3/8" (441 mm) A 11-15/16" (210 mm) B	Template Provided P/N BY20000	978 lb (489 kg)/ 54 lb/ft² (263 kg/m²)	Min - 65 U.S. gal (246 liters) Max-85 U.S. gal (322 liters)	145 lb (66 kg)	Not Available	Factory Installed Intake (S749000 Heater)
ALLUSION™ 7242 RH	72" (1829 mm) L 42" (1067 mm) W 26" (660 mm) H	17-3/8" (441 mm) A 11-15/16" (210 mm) B	Template Provided P/N BY20000	1127 lb (470 kg)/ 54 lb/ft² (263 kg/m²)	Min - 75 U.S. gal (284 liters) Max - 99 U.S. gal (375 liters)	169 lb (77 kg)	Not Available	Factory Installed Intake (S749000 Heater)
BELLAVISTA™ 5 RH	60" (1524 mm) L 42" (1067 mm) W 26" (660 mm) H	20" (508 mm) A 11-3/4" (298 mm) B	Template Provided P/N P187000	1026 lb (466 kg)/ 59 lb/ft² (288 kg/m²)	80 U.S. gal (303 liters)	110 lb (50 kg)	Not Available	Factory Installed Intake (S749000 Heater)
BELLAVISTA™ 5.5 RH	66" (1676 mm) L 42" (1067 mm) W 26" (660 mm) H	20" (508 mm) A 11-3/4" (298 mm) B	Template Provided P/N P187000	1078 lb (490 kg)/ 56 lb/ft² (273 kg/m²)	85 U.S. gal (322 liters)	120 lb (56 kg)	Not Available	Factory Installed Intake (S749000 Heater)
BELLAVISTA™ 6 RH	72" (1829 mm) L 42" (1067 mm) W 26" (660 mm) H	20" (508 mm) A 11-3/4" (298 mm) B	Template Provided P/N P187000	1130 lb (514 kg)/ 54 lb/ft² (263 kg/m²)	90 U.S. gal (341 liters)	130 lb (59 kg)	Not Available	Factory Installed Intake (S749000 Heater)
CIPREA™ RH	72" (1829 mm) L† 48" (1219 mm) W 20-1/2" (521 mm) H	16-1/4" (413 mm) A 13-1/2" (343 mm) B	NA	895 lb (407 kg)/ 37 lb/ft² (180 kg/m²)	57 U.S. gal (216 liters)	170 lb (77 kg)	Included	Factory Installed Intake (S749000 Heater)
ELARA™ 6042 LH & RH	60" (1524 mm) L 42" (1067 mm) W 23-1/2" (597 mm) H	18.5" (470 mm) A 10.6" (269 mm) B	58" x 40" (1473 mm x 1016 mm) Umt Template Provided P/N DQ50000	1126 lb (512 kg)/ 65.4 lb/ft² (319 kg/m²)	Min - 83 U.S. gal (314 liters) Max - 92 U.S. gal (348 liters)	200 lb (91 kg)	Not Available	Factory Installed Intake (S749000 Heater)
ELARA™ 6636 LH & RH	66" (1676 mm) L 36" (914 mm) W 23-1/2" (597 mm) H	18.5" (470 mm) A 10.6" (269 mm) B	64" x 34" (1626 mm x 864 mm) Umt Template Provided P/N DQ51000	1039 lb (472 kg)/ 63 lb/ft² (307 kg/m²)	Min - 75 U.S. gal (284 liters) Max - 83 U.S. gal (314 liters)	200 lb (91 kg)	Not Available	Factory Installed Intake (S749000 Heater)
ELARA™ 7242 LH & RH	72" (1829 mm) L 42" (1067 mm) W 23-1/2" (597 mm) H	18.5" (470 mm) A 10.6" (269 mm) B	70" x 40" (1778 mm x 1016 mm) Umt Template Provided P/N BZ51000	1345 lb (611 kg)/ 64 lb/ft² (312 kg/m²)	Min - 95 U.S. gal (360 liters) Max-105 U.S. gal (398 liters)	215 lb (98 kg)	Not Available	Factory Installed Intake (S749000 Heater)
REÁL™ RH	72" (1829 mm) L† 42" (1067 mm) W 23" (584 mm) H	20" (508 mm) A 14" (356 mm) B	70" x 40" (1778 mm x 1016 mm)	1130 lb (514 kg)/ 54 lb/ft² (263 kg/m²)	90 U.S. gal (341 liters)	130 lb (59 kg)	Not Available	Factory Installed Intake (S749000 Heater)
SABELLA™ RH	72" (1829 mm) L 47" (1194 mm) W 23-3/4" (584 mm) H	20" (508 mm) A 14" (356 mm) B	Template Provided P/N P187000	1199 lb (545 kg)/ 51 lb/ft² (249 kg/m²)	98 U.S. gal (371 liters)	133 lb (60 kg)	Not Available	Factory Installed Intake (S749000 Heater)
TORRETTA™ 36	72" (1829 mm) L 35-1/8" (892 mm) W 22-7/8" (581 mm) H1 21" (533 mm) H2 23-1/2" (597 mm) H3	18-3/16" (459 mm) A 15" (381 mm) B	Template Provided P/N P652000	948 lb (431 kg)/ 54 lb/ft² (263 kg/m²)	70 U.S. gal (265 liters)	115 lb (52 kg)	Not Available	Factory Installed Intake (S749000 Heater)

† Add 1/4" to this dimension when roughing-in for 3-wall niche.

NOTE: The overall dimensions are nominal with a tolerance of +0 and -1/4" (6,4 mm).

FOR ALL UNITS: Electrical Service Requirements: All require a dedicated GFCI protected separate circuit.

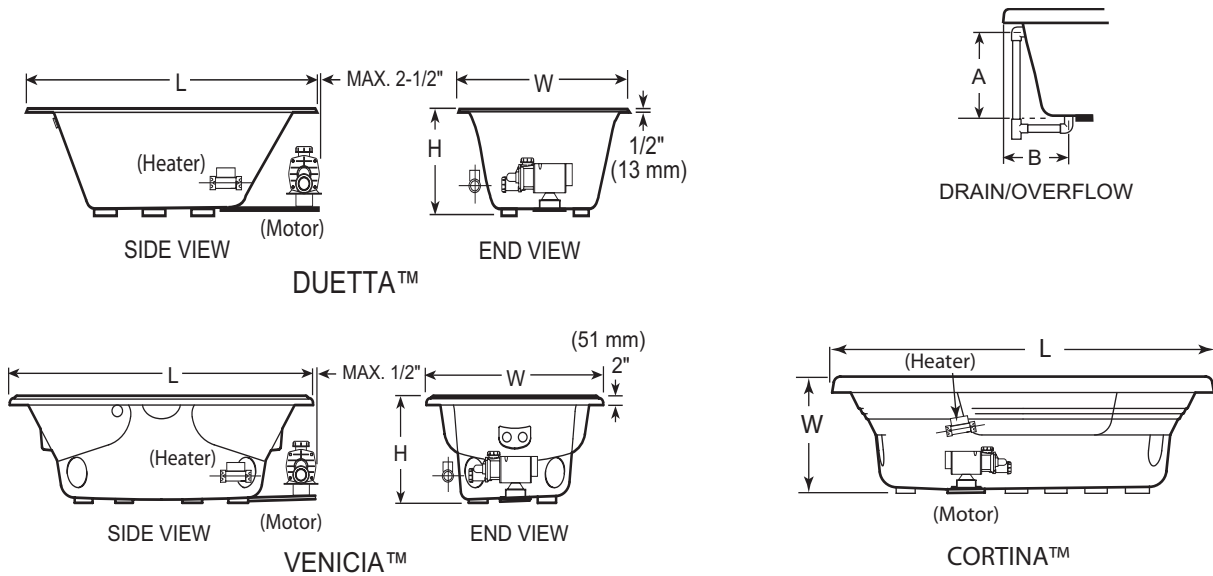
RapidHeat™: 120 VAC, 15 AMP, 60 Hz. dedicated GFCI protected separate circuit.

Motor/Pump: 120 VAC, 20 AMP, 60 Hz. dedicated GFCI protected separate circuit.

SPECIFICATIONS

OVAL & ROUND BATHS

ENGLISH



SPECIFICATIONS (Oval & Round) LH = Left Hand, RH = Right Hand

MODEL	DIMENSIONS	DRAIN/OVERFLOW DIMENSIONS	CUTOUT	TOTAL WEIGHT/FLOOR LOADING	OPERATING GALLONAGE	PRODUCT WEIGHT	SKIRT & MOUNTING	HEATER, INTAKE/DISCHARGE
CORTINA™ RH	72" (1829 mm) L 72" (1829 mm) W 22-1/4" (565 mm) H	16-3/4" (426 mm) A 19-1/4" (489 mm) B	70" Dia. (1778 mm) Hole	1293 lb (588 kg)/ 36 lb/ft ² (176 kg/m ²)	100 U.S. gal (379 liters)	210 lb (95 kg)	Not Available	Factory Installed Discharge (U394000 HEATER)
DUETTA™ 6042 RH	60" (1524 mm) L 42" (1067 mm) W 26" (660 mm) H	18.4" (467 mm) A 11" (279 mm) B	Template Provided P/N DA09000	999 lb (454 kg)/ 57.1 lb/ft ² (278 kg/m ²)	Min - 77 U.S. gal (291 liters) Max - 83 U.S. gal (314 liters)	110 lb (50 kg)	Not Available	Factory Installed Intake (S749000 Heater)
DUETTA™ 6636 RH	66" (1676 mm) L 36" (914 mm) W 26" (660 mm) H	18.4" (467 mm) A 11" (279 mm) B	Template Provided P/N DA08000	1019 lb (463 kg)/ 61.8 lb/ft ² (301 kg/m ²)	Min - 75 U.S. gal (284 liters) Max - 80 U.S. gal (303 liters)	180 lb (82 kg)	Not Available	Factory Installed Intake (S749000 Heater)
DUETTA™ 6642 RH	66" (1676 mm) L 42" (1067 mm) W 26" (660 mm) H	18.4" (467 mm) A 11" (279 mm) B	Template Provided P/N DA07000	1106 lb (503 kg)/ 57.5 lb/ft ² (280 kg/m ²)	Min - 90 U.S. gal (341 liters) Max - 95 U.S. gal (360 liters)	117 lb (53 kg)	Not Available	Factory Installed Intake (S749000 Heater)
DUETTA™ 7242 RH	72" (1829 mm) L 42" (1067 mm) W 26" (660 mm) H	18.4" (467 mm) A 11" (279 mm) B	Template Provided P/N DA06000	1277 lb (581 kg)/ 60.8 lb/ft ² (296 kg/m ²)	Min - 98 U.S. gal (371 liters) Max - 106 U.S. gal (401 liters)	130 lb (59 kg)	Not Available	Factory Installed Intake (S749000 Heater)
VENICIA™ RH	72" (1829 mm) L 42" (1067 mm) W 23" (584 mm) H	20" (508 mm) A 14" (356 mm) B	Template Provided P/N P187000	1130 lb (514 kg)/ 54 lb/ft ² (263 kg/m ²)	90 U.S. gal (341 liters)	130 lb (59 kg)	Not Available	Factory Installed Intake (S749000 Heater)

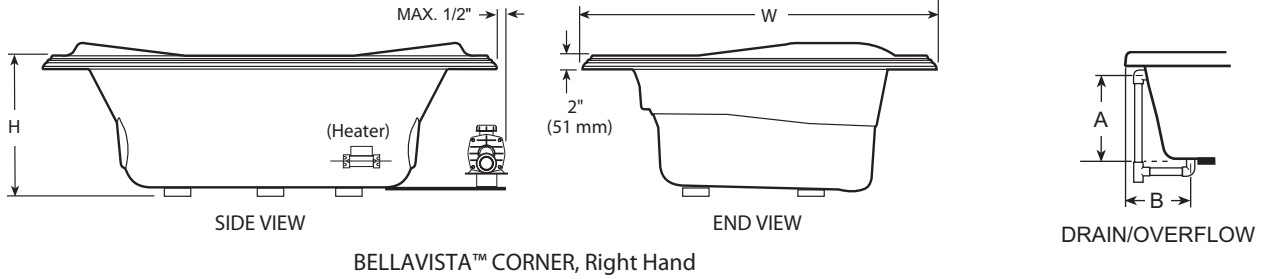
NOTE: The overall dimensions are nominal with a tolerance of +0 and -1/4" (6,4

FOR ALL UNITS: Electrical Service Requirements: All require a dedicated GFCI protected separate circuit.
RapidHeat™: 120 VAC, 15 AMP, 60 Hz. dedicated GFCI protected separate circuit.
Motor/Pump: 120 VAC, 20 AMP, 60 Hz. dedicated GFCI protected separate circuit.

SPECIFICATIONS

CORNER BATHS

ENGLISH



SPECIFICATIONS (Corner) LH = Left Hand, RH = Right Hand

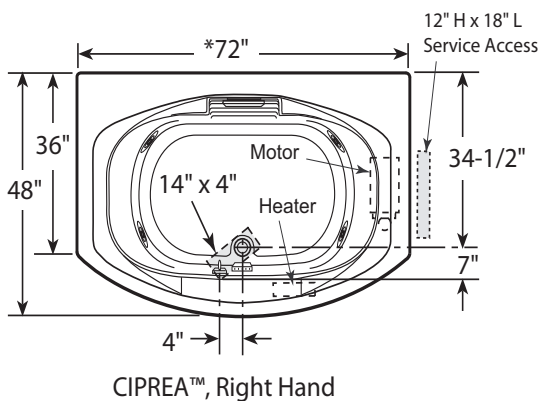
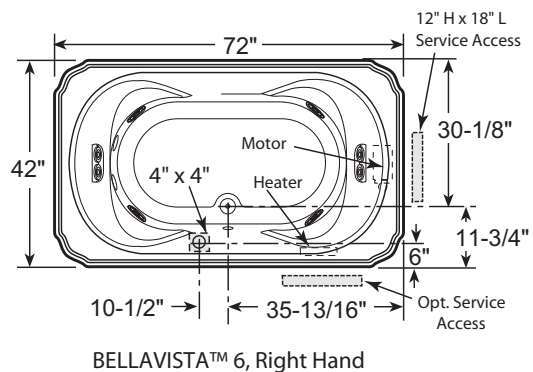
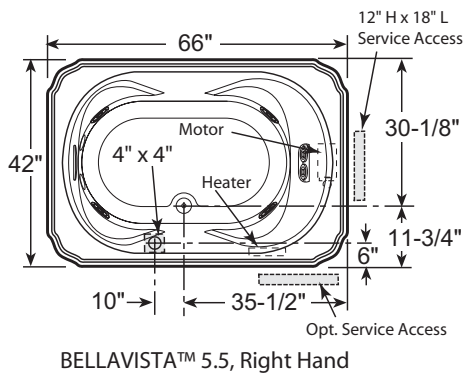
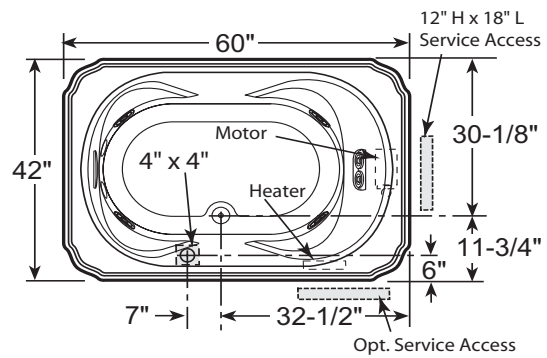
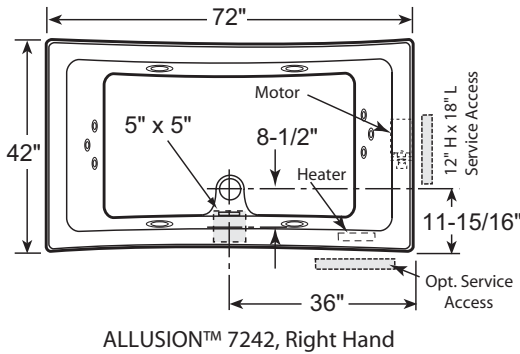
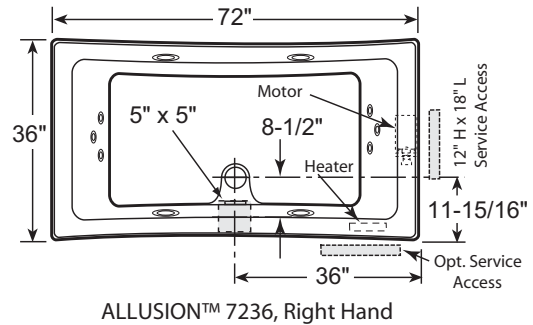
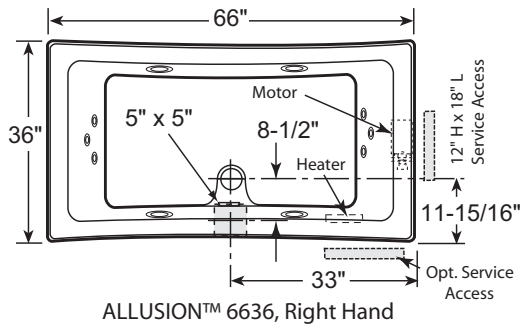
MODEL	DIMENSIONS	DRAIN/OVERFLOW DIMENSIONS	CUTOUT	TOTAL WEIGHT/FLOOR LOADING	OPERATING GALLONAGE	PRODUCT WEIGHT	SKIRT & MOUNTING	HEATER, INTAKE/DISCHARGE
BELLAVISTA™ CORNER RH	60" (1524 mm) L 60" (1524 mm) W 21-3/4" (553 mm) H	18-7/8" (479 mm) A 14" (356 mm) B	Template Provided P/N P654000	1046 lb (475 kg)/ 42 lb/ft ² (205 kg/m ²)	80 U.S. gal (303 liters)	130 lb (59 kg)	Not Available	Factory Installed Intake (S749000 Heater)

NOTE: The overall dimensions are nominal with a tolerance of +0 and -1/4" (6,4 mm).
FOR ALL UNITS: Electrical Service Requirements: All require a dedicated GFCI protected separate circuit.
 RapidHeat™: 120 VAC, 15 AMP, 60 Hz. dedicated GFCI protected separate circuit.
 Motor/Pump: 120 VAC, 20 AMP, 60 Hz. dedicated GFCI protected separate circuit.

ROUGHING-IN REFERENCE

ROUGHING-IN REFERENCE (RECTANGULAR)

Some tubs are supplied with cutout and/or undermount template. Refer to CUTOUT on pages 6-8 for template part numbers.



* Add 1/4" to this dimension when roughing-in for 3-wall niche.

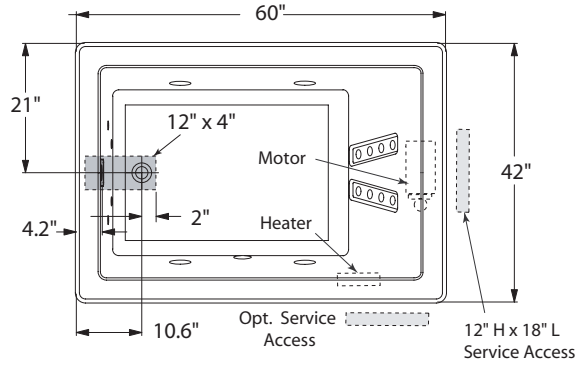
- NOTE:**
1. Measurements inside each unit represent cutout in floor to allow for drain/overflow.
 2. All measurements are in inches. To convert to millimeters, multiply inches by 25.4.
 3. Service access dimensions given are minimum size.
 4. The overall dimensions are nominal with a tolerance of +0 and -1/4" (6,4 mm).

ROUGHING-IN REFERENCE

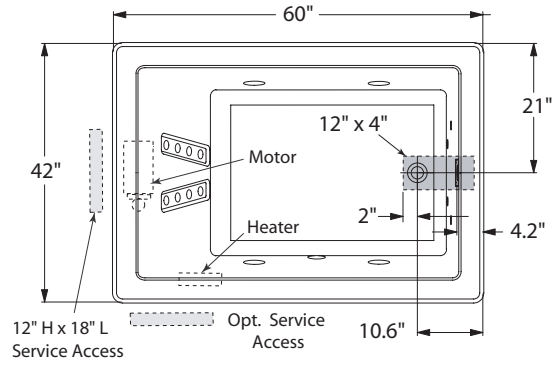
ROUGHING-IN REFERENCE (RECTANGULAR)

Some tubs are supplied with cutout and/or undermount template. Refer to CUTOUT on pages 6-8 for template part numbers.

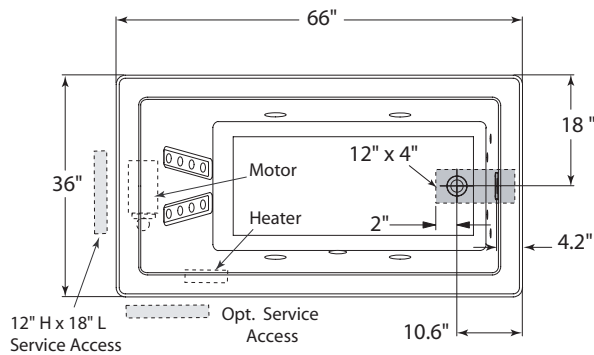
ENGLISH



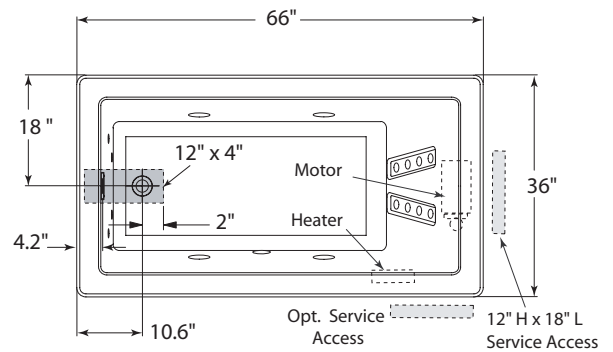
ELARA™ 6042 Left Hand



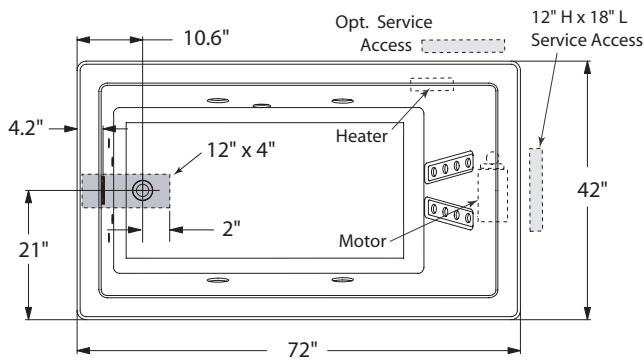
ELARA™ 6042 Right Hand



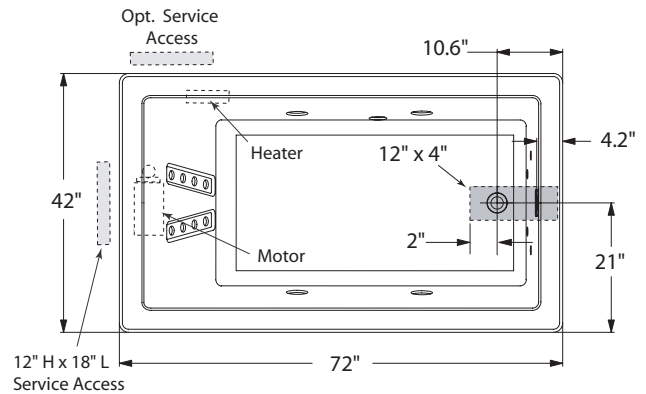
ELARA™ 6636 Right Hand



ELARA™ 6636 Right Hand



ELARA™ 7242 Left Hand



ELARA™ 7242 Right Hand

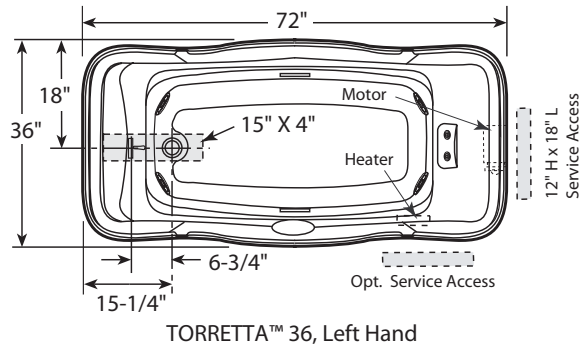
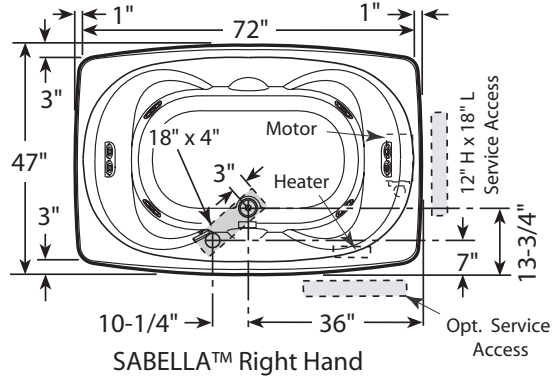
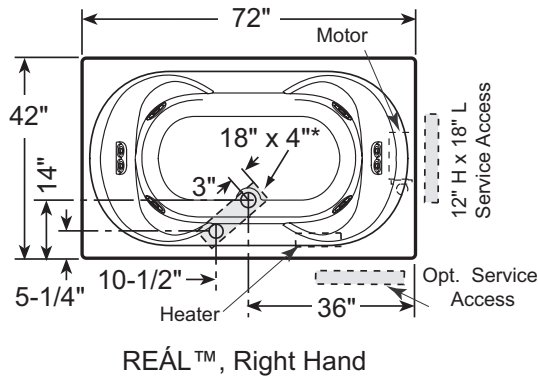
* Add 1/4" to this dimension when roughing-in for 3-wall niche.

- NOTE:**
1. Measurements inside each unit represent cutout in floor to allow for drain/overflow.
 2. All measurements are in inches. To convert to millimeters, multiply inches by 25.4.
 3. Service access dimensions given are minimum size.
 4. The overall dimensions are nominal with a tolerance of +0 and -1/4" (6,4 mm).

ROUGHING-IN REFERENCE

ROUGHING-IN REFERENCE (RECTANGULAR)

Some tubs are supplied with cutout and/or undermount template. Refer to CUTOUT on pages 6-8 for template part numbers.



* Add 1/4" to this dimension when roughing-in for 3-wall niche.

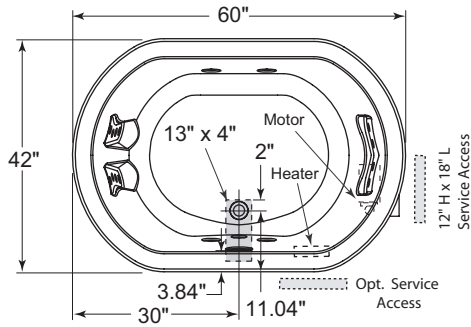
- NOTE:**
1. Measurements inside each unit represent cutout in floor to allow for drain/overflow.
 2. All measurements are in inches. To convert to millimeters, multiply inches by 25.4.
 3. Service access dimensions given are minimum size.
 4. The overall dimensions are nominal with a tolerance of +0 and -1/4" (6,4 mm).

ROUGHING-IN REFERENCE

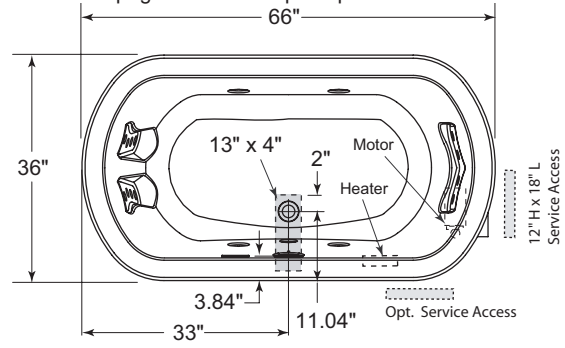
ROUGHING-IN REFERENCE (OVAL)

Some tubs are supplied with cutout and/or undermount template. Refer to CUTOUT on pages 6-8 for template part numbers.

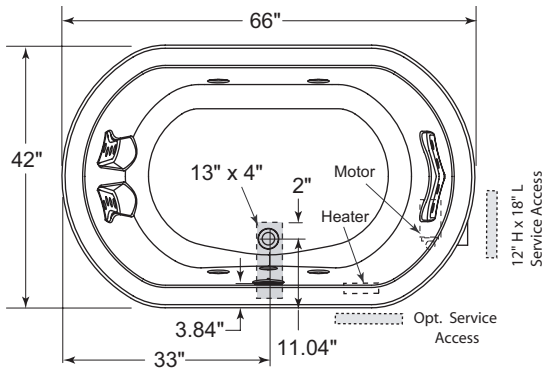
ENGLISH



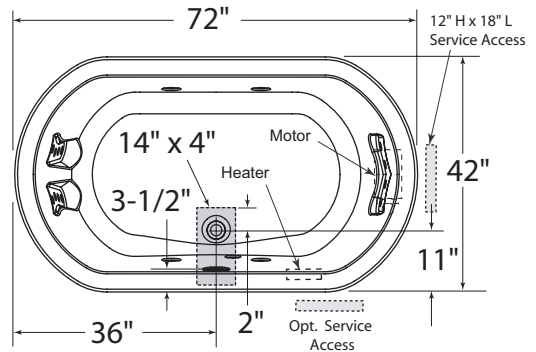
DUETTA™ 6042, Right Hand



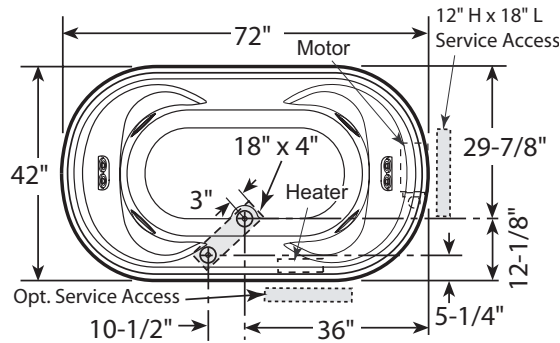
DUETTA™ 6636, Right Hand



DUETTA™ 6642, Right Hand



DUETTA™ 7242, Right Hand



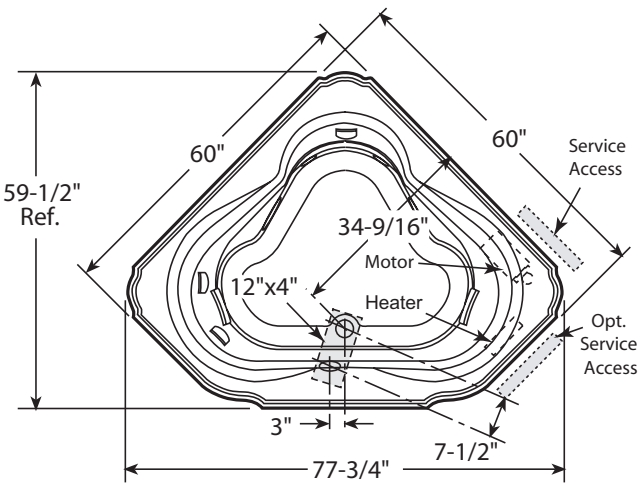
VENICIA™, Right Hand

- NOTE:**
1. Measurements inside each unit represent cutout in floor to allow for drain/overflow.
 2. All measurements are in inches. To convert to millimeters, multiply inches by 25.4.
 3. Service access dimensions given are minimum size.
 4. The overall dimensions are nominal with a tolerance of +0 and -1/4" (6,4 mm).

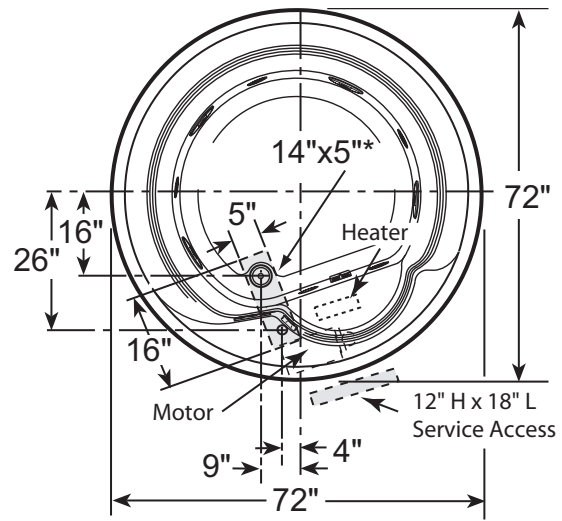
ROUGHING-IN REFERENCE

ROUGHING-IN REFERENCE (ROUND, CORNER)

Some tubs are supplied with cutout and/or undermount template. Refer to CUTOUT on pages 6-8 for template part numbers.



BELLAVISTA™ CORNER, Right Hand



CORTINA™, Right Hand

- NOTE:**
1. Measurements inside each unit represent cutout in floor to allow for drain/overflow.
 2. All measurements are in inches. To convert to millimeters, multiply inches by 25.4.
 3. Service access dimensions given are minimum size.
 4. The overall dimensions are nominal with a tolerance of +0 and -1/4" (6,4 mm).

INSTALLATION INSTRUCTIONS

Framing and Support

The drain/overflow of the bath extends below the bottom of the bath. Note that this requires a cutout in the floor.

The floor structure beneath the bath must be able to support a total weight of bath, water, and bather. Refer to the table under total weight for your model. The unit must be supported from the bottom of the bath and **not** from the bath rim or tile flange. If the subfloor is level and a continuous surface, no other preparation is necessary. You can proceed to install the bath. If the subfloor is not level, you **MUST** level the entire surface prior to installing the bath. The use of materials that provide a level installation are allowed provided the method used will insure a level bath that is supported from the bottom. Materials that may be used are a floor leveling compound, mortar, plaster or minimal expansion structural foam having a density of a minimum of 5 lbs./cubic feet; however the bath must remain level in order for it to drain properly and all foam feet must make full contact with the leveling material. Both sides of a joint or splice of subfloor should be level to each other. **When attaching baths with flanges to stud wall, use shims to fill any gaps between the bath flange and studs.**

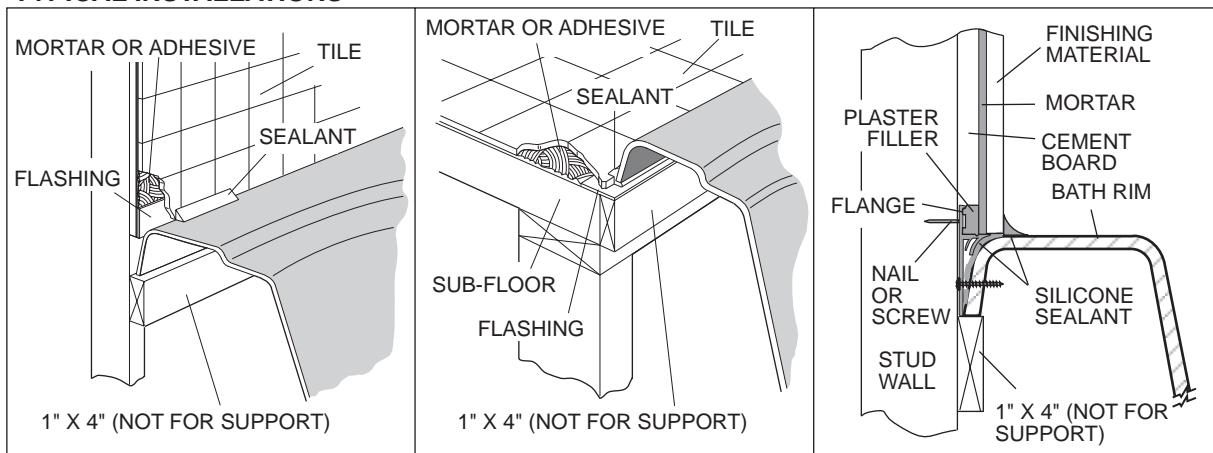
NOTE: Drop-in tubs are additionally equipped with metal anchor straps. With a level floor, when mortar or similar anchoring material is NOT used, use construction adhesive under the foam feet and fasten the metal anchor straps to the floor to prevent the unit from shifting while trim, deck finishes, or finish caulking cure.

The rim of the bath is not designed to support weight. If finish material is to overlap or contact the bath, the added weight must be fully self-supporting.

The protective film liner inside the bath is used to prevent damage to the finish during installation. Before installation, remove liner to inspect for any defects, reapply and do not remove until final cleanup.

Important: If a skirt is to be used, it must be installed at the time of unit installation – refer to skirt installation instructions. Install optional trim parts when all installation has been completed.

TYPICAL INSTALLATIONS

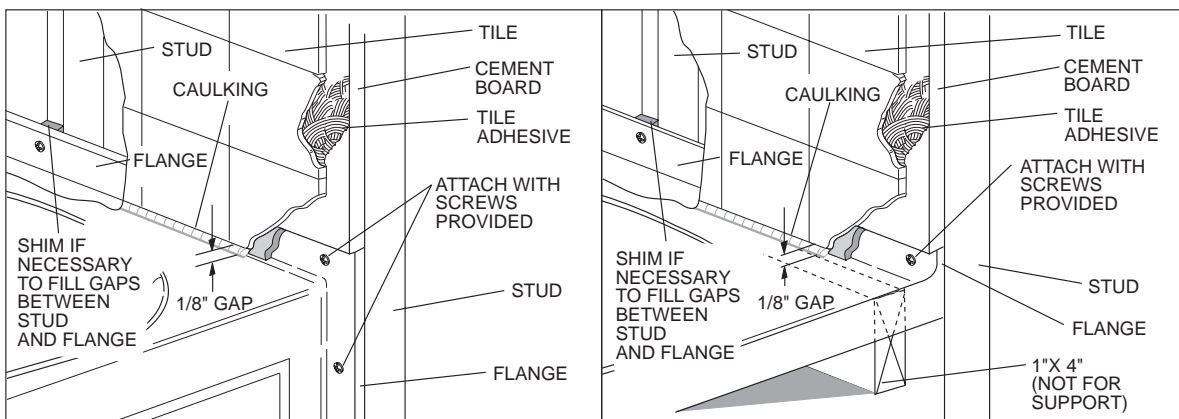


FLUSH TO WALL

SEMI-SUNKEN

OPTIONAL TILE FLANGE KIT

TYPICAL FLANGE MOUNTING DETAIL



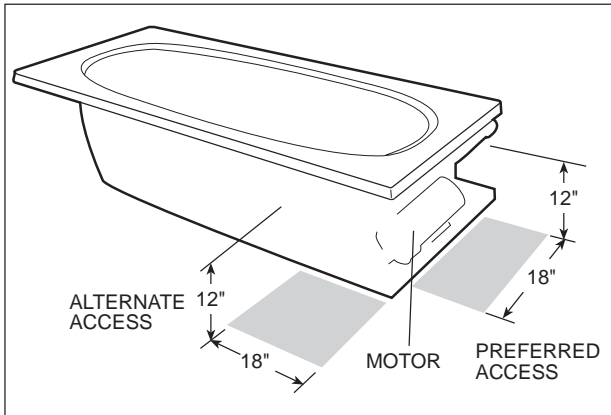
INSTALLATION INSTRUCTIONS

Service Access

For partially or fully sunken installations, allow for access to service connections. It is the installer's responsibility to provide sufficient service access. The recommended minimum dimensions allowable for service to the bath are shown in the "Service Access" illustration.

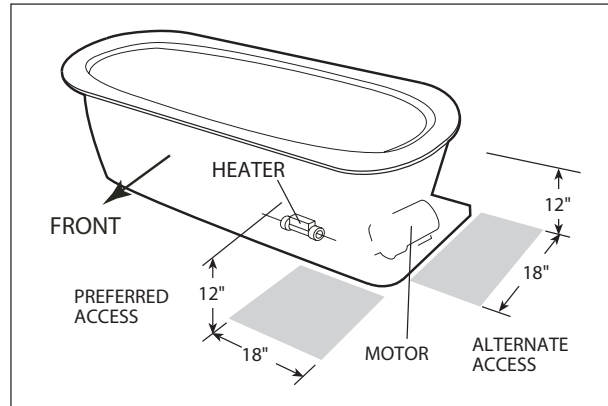
Provide adequate area around unit for air circulation for cooling the motor and to supply sufficient air to the jets. Do not insulate this area or around motor.

SERVICE ACCESS (WITHOUT SKIRT)



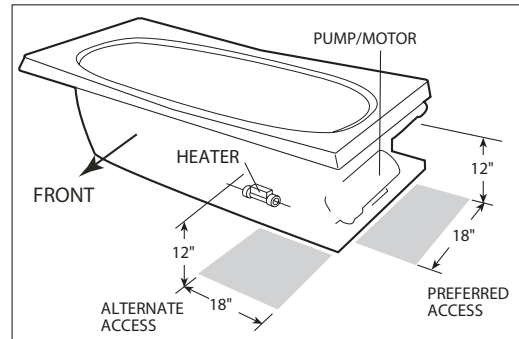
The Duetta Whirlpool baths should access as shown below.

DUETTA SERVICE ACCESS (WITHOUT SKIRT)



The Allusion Whirlpool baths should access as shown below.

ALLUSION SERVICE ACCESS

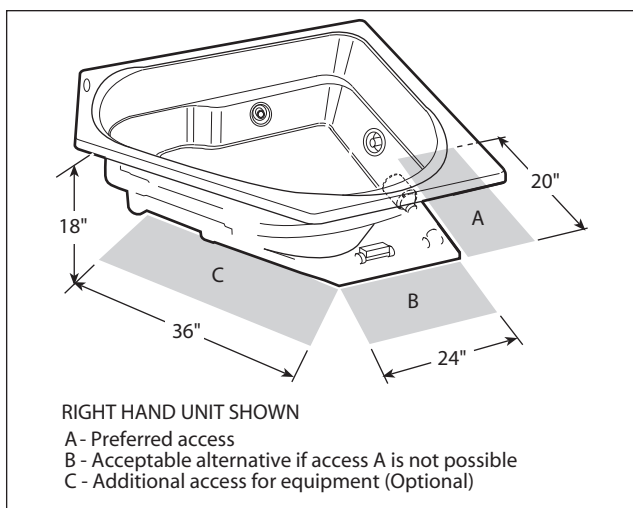


Service Access (Corner Tubs)

For partially or fully sunken installations, allow for access to service connections. It is the installer's responsibility to provide sufficient service access. The recommended minimum dimensions allowable for service to the bath are shown in the "Service Access" illustration.

Provide adequate area around unit for air circulation for cooling the motor and to supply sufficient air to the jets. Do not insulate this area or around motor.

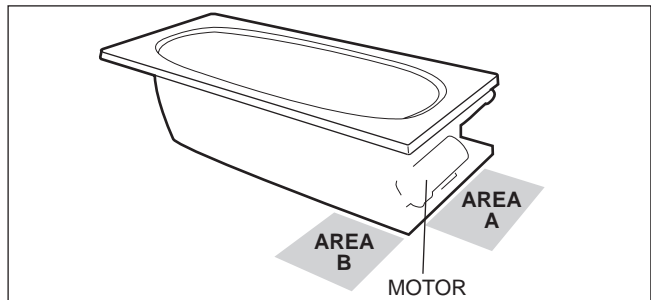
SERVICE ACCESS (CORNER BATHS)



In some cases, access may not have been provided because of the design of the bath environment and having full understanding that in this case, it may be necessary to remove the unit for service.

If this is the case, diagnosing a problem may not be possible without complete access to the plumbing system. This would necessitate the removal of the unit. Although this practice is not commonly implemented, it is an acceptable method.

SERVICE ACCESS



In some cases access may have been provided in Area A but service is required in Area B which requires the unit to be pulled for service and reinstalled.

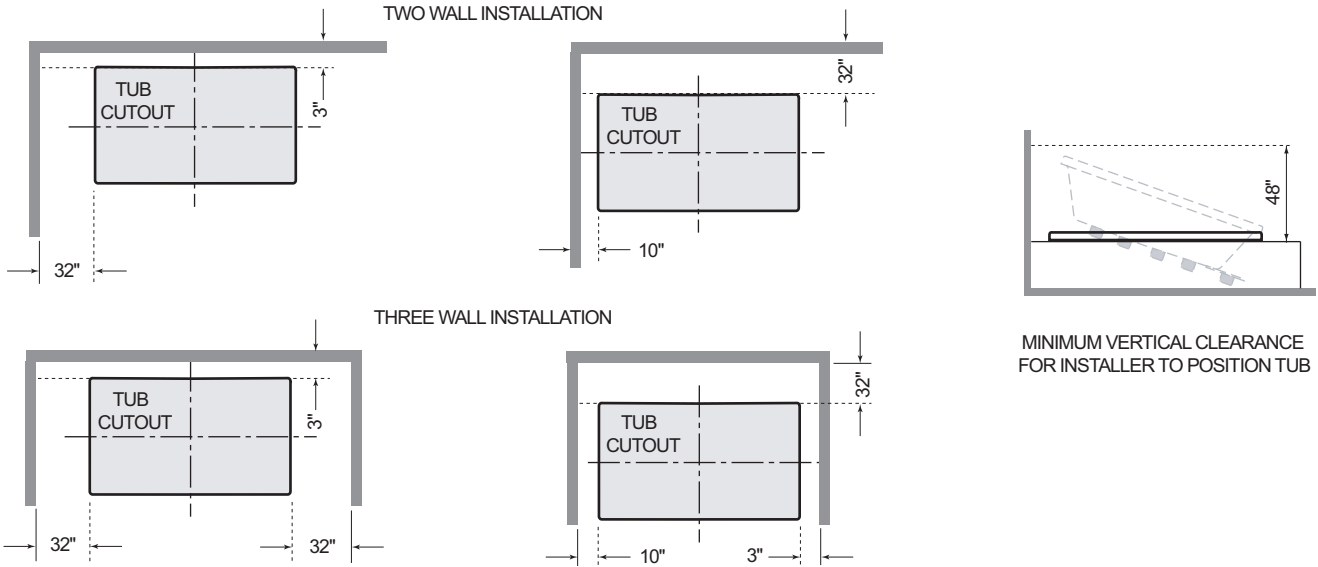
If service access has not been provided, it is the home owners responsibility to remove the bath and provide the required access, should a repair become necessary.

INSTALLATION INSTRUCTIONS

INSTALLATION CLEARANCE RECOMMENDATIONS

The installation clearance recommendations below are to ensure that installers have enough space to maneuver and insert tub. The Designer/Luxury line whirlpool tubs have electrical, plumbing and lighting systems installed. **Do not lift the bath by the plumbing or wiring at any time; handle by the shell only.**

ENGLISH



INSTALLATION INSTRUCTIONS

Installation

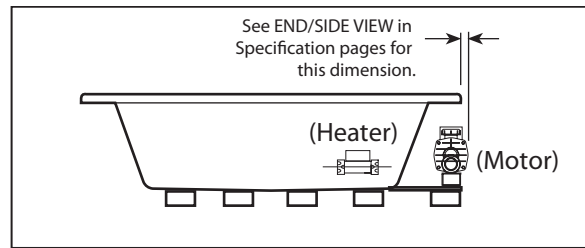
Note that the motor/pump protrudes beyond the bath rim a maximum distance of 1" (25,4 mm). Care should be used when lowering the tub into cutout to prevent injury to installer(s), finished surfaces, or tub and components.

Clearance must be provided for installers. See page 16 for recommended clearances surrounding tub. Damage to shell, plumbing, wiring, lighting, and other components because of failure to observe minimum clearances are not the responsibility of Jacuzzi Whirlpool Bath.

All deck finish work must be completed before installation. Use the Cutout Template provided. Flooring surface inside the cutout to deck height must not exceed height specification for tub.

Cover all finished surfaces to protect from damage during tub installation.

Turn OFF power supply to dedicated GFCI protected circuits.



Begin Installation

Optionally, use a washable marker to scribe a reference line 1" (25,4 mm) outside the cutout edge on the deck surface. This may assist in final alignment of the tub.

Install any trim kits, faucets, or other tub components before installing.

To install unit insert the motor/pump end first when lowering the tub into the cutout opening as shown in the bottom illustration. Do not use plumbing fixtures or plumbing lines to lower unit. The clearance under the substrate is required for air flow circulation requirements.

Place a piece of scrap lumber under each corner as a temporary support for the tub rim. Inspect all fittings, plumbing, and control lines after inserting to insure components are not damaged, disconnected, or contacting the finish surface substrate or support members.

Connect flex water supply lines to faucet.

Plug power cords into GFCI outlet.

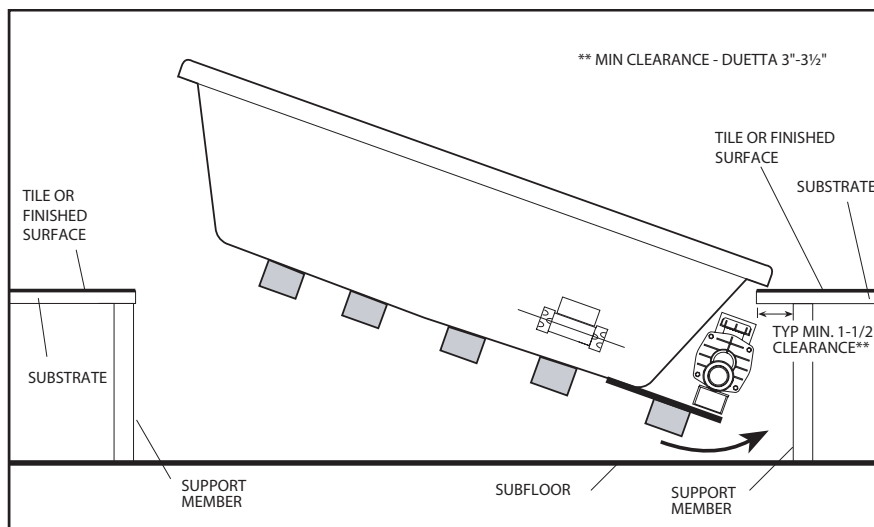
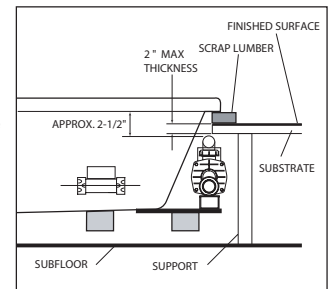
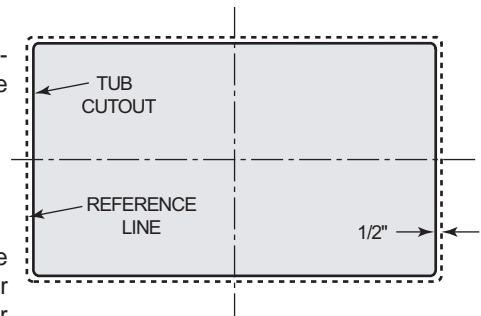
Remove fingers, hands, and all other items from under the rim edge before lowering the tub. Slightly lift one tub end and remove the scrap lumber. Gently lower the tub rim until it contacts the deck surface. Slightly lift the remaining tub end and remove the scrap lumber. Gently lower the tub rim until it contacts the deck surface.

If you created the optional reference lines, align the tub over the cutout.

Connect drain line.

Turn ON the power supply to the dedicated GFCI protected circuits.

Check for leaks and check system operation.



INSTALLATION INSTRUCTIONS

Electrical Connections

Separate circuits, each must be protected by a Ground Fault Circuit Interrupter (GFCI), are required for the pump/motor and the RapidHeat™ Heater. Refer to the electrical specification for each model on pages 6-8. Install duplex outlets to the studwall underneath the bathtub, at least 4 inches (10,2 cm) above the floor or in accordance with local building or electrical codes. Duplex outlets are not provided. Because these units are manufactured with an electronic control panel no remote switch or timer is necessary.

Tubs with electronic control panels combine the electrical requirements of the pump/motor and electronic controls into a control box. For these units the power supply cord from the pump/motor runs to the control box. The power supply cord from the control box should be connected to the 20 AMP GFCI circuit.

Before installing electrical connections, inspect the pump/motor and heater nameplates and confirm you have 120 VAC, 20 AMP and 15 AMP service requirements. The GFCI circuits must match these requirements. Care must be taken to connect the 20 AMP pump/motor or control box power cord ONLY to the 20 AMP GFCI circuit and to connect the 15 AMP heater power cord ONLY to the 15 AMP GFCI circuit. Do NOT switch power cords and GFCI circuits.

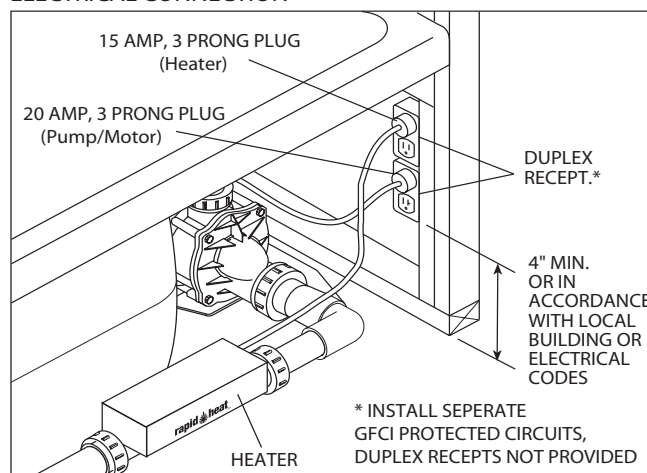
With a #8 solid copper wire, bond the heater to the house electrical panel or approved local bond. A bonding lug is provided on the heater. With another #8 solid copper wire, bond the pump/motor to the house electrical panel or approved local bond. A bonding lug is provided on the pump/motor.

At initial start-up and before each use thereafter with power ON, push the GFCI test button on each circuit. The reset button should pop out. Push this button in to reset. If the interrupter fails to operate in this manner, there is a ground current flowing or a device malfunction, indicating the possibility of electrical shock. **Turn off power and do not use the bath until the source of the problem has been identified and corrected.**

DANGER: RISK OF ELECTRIC SHOCK. Connect only to a circuit protected by a Ground Fault Circuit Interrupter (GFCI).

CAUTION: Operating the motor/pump without enough water in the bath can cause leaking and permanent damage to the pump. Before power is applied to the installation, make sure the switch is in the OFF position to avoid pump damage.

ELECTRICAL CONNECTION



Plumbing and Water Supply

Drain Information

A drain/overflow assembly (sold separately) must be installed on the bath, water tested, and connected to the sanitary system of the house. After opening the carton, inspect for damage and verify that the kit is of the proper finish. In the Jacuzzi Whirlpool Bath drain/overflow kit, note that the waste flange, strainer, overflow cover and cover screws are packaged in a separate package within the kit to protect the trim finish. Follow the installation instructions provided with the drain/overflow kit. After the drain is fully installed, test for proper drainage. If the unit does not drain properly, rectify this condition before proceeding with the installation. Jacuzzi Whirlpool Bath is not responsible for removal and or reinstallation costs.

NOTE: Watertight installation of the drain is the installer's responsibility. Drain leakage is excluded from the Jacuzzi Whirlpool Bath warranty of this product.

Plumbing

Pump, jets, and suction fittings for the whirlpool system are factory plumbed in schedule 40 PVC piping.

All Jacuzzi Whirlpool Bath products are factory tested for proper operation and watertight connections prior to shipping. If leaks are detected, notify your Jacuzzi Whirlpool Bath dealer. Do not install the unit.

Water Supply

Consult local authorities for plumbing code requirements in your area.

IMPORTANT: Proper installation of the fill spout plumbing and compliance with local codes are the responsibility of the installer. Jacuzzi Whirlpool Bath does not warrant connections of water supply fittings and piping, fill systems, or drain/overflow systems. Nor is it responsible for damage to the bath which occurs during installation.



CAUTION: A nonflammable protective barrier must be placed between soldering work and bath unit to prevent damage to the bath.

Shower Information

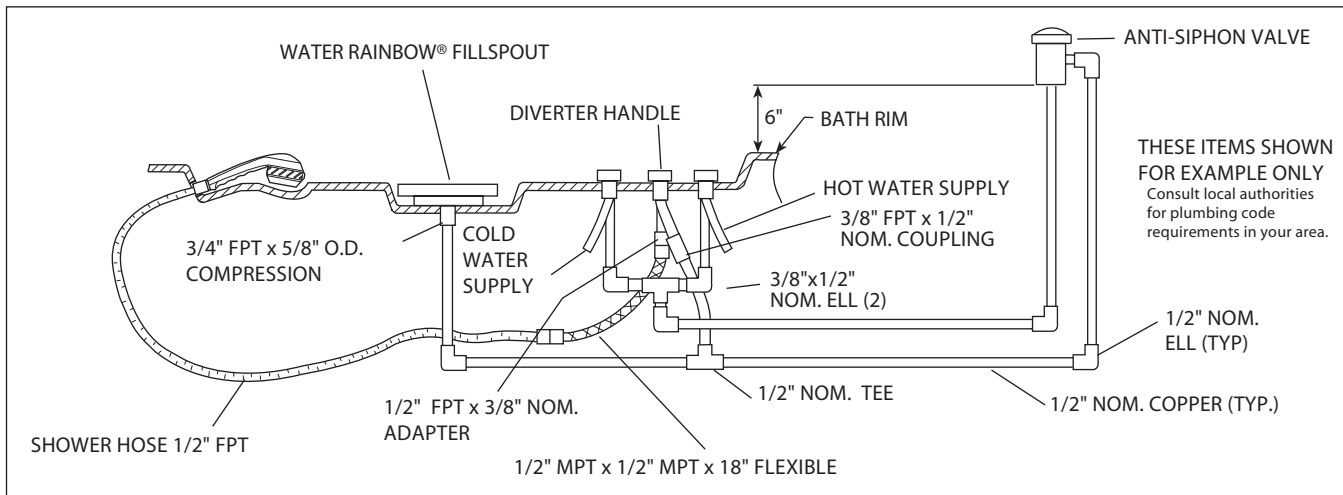
Because of some baths' unique contour design, a rigid shower door cannot readily be installed. If a shower is desired, we recommend a hand-held shower be installed in conjunction with a shower curtain, as this will allow the user to control the direction of the spray.

NOTE: Proper installation of a shower is the responsibility of the installer. Jacuzzi Whirlpool Bath is not responsible for damage to the unit or for water damage which might occur due to its installation.

Anti-Siphon Valve

Optional Anti-Siphon valve installation. Anti-Siphon valve is not supplied with the tub. Consult your local plumbing code requirements for the minimum height above the tub rim.

RECOMMENDED WATER SUPPLY CONNECTIONS (NOT ALL REQUIRE OR HAVE ALL FEATURES SHOWN)



Clean-Up After Installation

To avoid dulling and scratching the surface of the bath, never use abrasive cleaners. A mild liquid detergent and warm water will clean soiled surfaces.

Remove spilled plaster with a wood or plastic edge. Metal tools will scratch the surface. Spots left by plaster or grout can be removed if lightly rubbed with detergent on a damp cloth or sponge.

Paint, tar, or other difficult surface stains can be removed with paint thinner, turpentine, or isopropyl alcohol (rubbing alcohol). **NOTE: Use these chemicals only on SURFACE stains.**

Minor scratches which do not penetrate the color finish can be removed by lightly sanding with 600-grit wet/dry sandpaper. You can restore the glossy finish to the acrylic surface of the bath with a special compound, Meguiar's #10 Mirror Glaze. If that is not available, use automotive rubbing compound followed by an application of automotive paste wax.

Major scratches and gouges which penetrate the acrylic surface will require refinishing. Ask your Jacuzzi Whirlpool Bath dealer for special instructions or visit our web site at <http://www.jacuzzi.com/>. To find service agent listings for:

Electrical or Mechanical Repairs visit <http://jacuzzi.com/pdf/ASA.PDF>

Finish, Surface, or Shell-Related Repairs visit <http://jacuzzi.com/pdf/AFC.PDF>

Repair Parts or Accessories visit <http://jacuzzi.com/pdf/MPD.PDF>

OPERATING INSTRUCTIONS

OPERATION

NOTE: These instructions pertain to all bath products manufactured by Jacuzzi Whirlpool Bath. Not all features discussed in this instruction pamphlet apply to all baths.

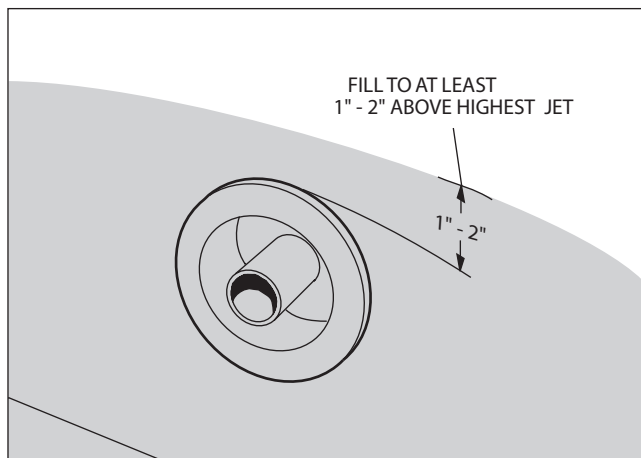
All baths manufactured by Jacuzzi Whirlpool Bath are designed for "fill and drain," which means the bath should be drained after each use and filled with fresh water by the next bather. This is a health precaution, as these baths are not designed to hold water continuously like pools or spas. If you want a unit designed to continuously hold water, see your Jacuzzi Whirlpool Bath dealer for the complete line of whirlpool spas available.

Once the bath is installed, remove any residue or foreign materials left over from construction. Paint, tar, or other difficult surface stains can be removed with paint thinner, turpentine, or isopropyl alcohol (rubbing alcohol). **NOTE:** Use these chemicals only on SURFACE stains. Other dirt can be cleaned off with a mild liquid detergent on a damp cloth. Scrape off plaster with a wooden or plastic edge; **do not use metal scrapers, wire brushes or other metal tools, as they will damage the bath's surface.**

Water Level

Close the drain and fill the bath until water is at least 1" to 2" (2,5 - 5,08 cm) above the highest jet (see water line indicated in the illustration). **Do not turn on the whirlpool system at any time if the jets are not completely immersed in water. Do not immerse the control panel by overfilling the bath.** Running the whirlpool system when there is insufficient water in the bath could result in water spraying outside the bath area. Running the whirlpool system without water will damage the recirculating pump.

IMPORTANT: When exiting the bath, the water level will drop below the jets which could result in water being sprayed out of the unit. To prevent this, **you must turn unit off before exiting bath.**



Controlling Whirlpool Action

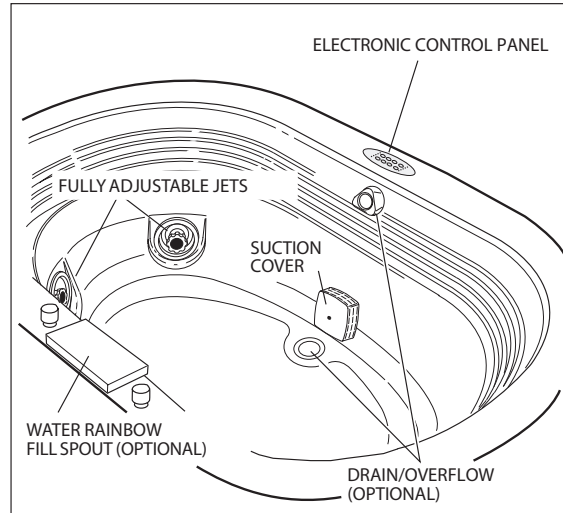
The whirlpool action in your bath, controlled manually and electronically, is influenced by three factors – direction of flow, force of water, and force of air. Every bath manufactured by Jacuzzi Whirlpool Bath that is equipped with fully adjustable PowerPro® jets, are manually adjustable for direction and water force. Some baths have additional jets which can be adjusted for direction only. Baths equipped with 2 speed motors and electronic controls can also influence water force and force of air.

Direction: To change the direction of the water flow, swivel the jet nozzle to the desired angle. The jets can be directed individually toward any location on your body to provide a hydromassage. The jets can also be adjusted so that they all point in the same direction (clockwise or counterclockwise) to circulate the water in a circular motion around the bath, causing a total whirlpool effect.

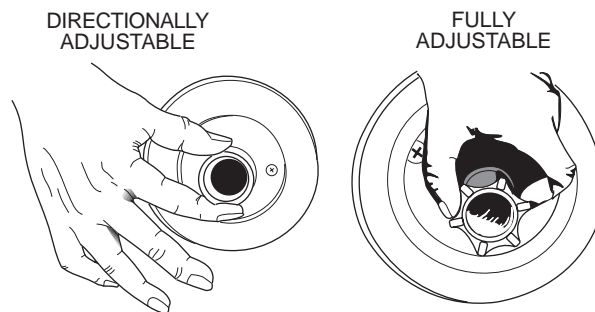
Water Force: The high volume, fully adjustable PowerPro® jets can be manually adjusted to control the force of the water coming into the bath. For robust action, increase the force of the flow by rotating the jet handles to the left (counterclockwise). For a more gentle effect, rotate the handles to the right (clockwise). Customize water force by lowering water volume of one (1) jet(s) to increase water force in another jet(s). In units with 2 speed motors the water force can be increased or decreased using the electronic control. **Never run the whirlpool system with all the jets closed.**

Force of Air: Force of air is controlled electronically. Refer to the Control panel instructions for details in adjusting force of air.

TYPICAL BATH FITTINGS



JETS



OPERATING INSTRUCTIONS (cont'd)

Electronic Control Panel Operation (with optional Chromotherapy/Illumatherapy™ lighting)

All tubs in this product line come with electronic controls and standard Chromotherapy or Illumatherapy™. Read and follow the operation instructions for the control system of your unit.

General Functions


This Jacuzzi tub is equipped with a seven button electronic control panel. The seven button panel controls a two speed pump/motor, Chromotherapy or Illumatherapy™ lighting, air controls, and wave control. LED lights (in the control panel) indicate function levels. When switching between functions, the LED for the inactive functions will dim and the active function will brighten.

The bath is equipped with a water level sensor(s). When the water level is **below** the sensor, the pump/motor can **not** be activated. If the ON/OFF pump/motor button is pressed at this time, the pump/motor will not operate. When the water goes above the water level sensor, the pump/motor can be activated. If the water level drops below the level sensor, the pump/motor will shut **OFF**. To restart the pump/motor after the water level goes above the level sensor, the ON/OFF pump/motor button must be pressed. The pump/motor will automatically shut off 30 minutes after the pump/motor was turned on.

NOTE: Ensure the water level sensor located inside the bath is free of any soap or dirt buildup.

Normal Operation (with the bath filled to the proper level)


Pump/Motor Switch (ON/OFF)

Pressing the  button will turn ON the two speed pump/motor at HIGH speed. Pressing a second time will turn OFF the pump/motor. To change speeds use the Toggle buttons.

Pump/Motor Status LED

When the pump/motor is ON at HIGH speed all four LED indicator lights will be lit. When the pump/motor is ON at LOW speed the bottom LED indicator light will be lit.


Left Air Valve Switch

Pressing this  button will activate the left air valves use the Toggle buttons to increase/decrease air flow to the left set of jets. The air flow can be adjusted from no air to maximum air.

Left Air Valve Status LED

The Left Air Valve Status LED will show four LED lights at maximum air and only one LED light when the air is turned OFF. Each additional LED indicates more air flow.


Right Air Valve Switch

Pressing this  button will activate the right air valves. Use the Toggle buttons to increase/decrease air flow to the right set of jets. The air flow can be adjusted from no air to maximum air.

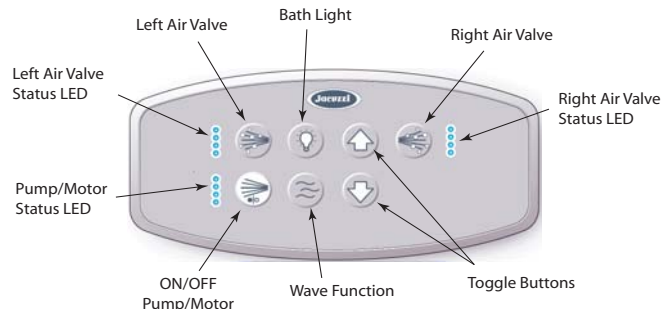
Right Air Valve Status LED

The Right Air Valve Status LED will show four LED lights at maximum air and only one LED light when the air is turned OFF. Each additional LED indicates more air flow.


Bath Light Switch (ON/OFF)

Pressing this  button will turn ON the white bath light(s). Pressing the Toggle buttons at this time will increase or decrease light intensity. Pressing the button a second time will access the saved favorite color. To cycle lighting colors use the Toggle button. Pressing the Toggle button again will stop the light cycling. The color displayed when the cycle has been stopped will be saved as your favorite color. Pressing the button a third time to turn OFF the light.



NOTE: When switching between functions, the LED for the inactive functions will dim and the active function will brighten.



Wave Function Switch (ON/OFF)

Pressing this  button activates wave action by opening and closing both right and left air valves. Pressing a second time will turn OFF the wave action.

Toggle Buttons

The Toggle buttons, up  and down , act on each of the other buttons to increase, decrease, or modify functionality. Use the up arrow to increase and the down arrow to decrease.

- Pressing a toggle button after pressing the Pump/Motor button will increase or decrease speeds on the Pump/Motor. If the pump/motor is on HIGH speed press the down arrow to select LOW speed. If the pump/motor is on LOW speed press the up arrow to select HIGH speed.
- Pressing an up or down toggle button after pressing the Bath Light button once will increase or decrease the white light brightness. Pressing an up or down toggle button after pressing the Bath Light button twice will begin cycling the light colors. Leave the colors cycling or press the same toggle button again to stop the color cycling. With the lights stopped on a color pressing the Bath Light button a third time will turn OFF the light. (A favorite color will be saved ONLY when the cycling has been stopped on that color and then turned OFF.)

OPERATING INSTRUCTIONS (cont'd)

RapidHeat™

These units have a RapidHeat™ heater installed on the intake or discharge lines. **The heater will help maintain the temperature of the water in the bath.**

Operation

With the heater installed and the whirlpool pump is operating, the heating function is totally automatic. No user control required.

Vacuum/Pressure Switch

The heater is equipped with a preset vacuum/pressure switch which will not allow the heater to turn ON if the pump is not running with water flowing through the whirlpool system.

High-Limit Switch

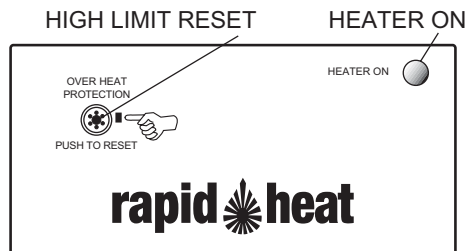
The heater includes an exclusive High-Limit switch. This safety circuit will not false trip from hot tap water. It will only turn off the heater if the thermostat fails. To reset, press the button. If the high-limit trips frequently, contact your Authorized Electrical/Mechanical Service Provider. Visit our web site at <http://www.jacuzzi.com/>.

To find service agent listings for:

Electrical or Mechanical Repairs visit <http://jacuzzi.com/pdf/ASA.PDF>

Finish, Surface, or Shell-Related Repairs visit <http://jacuzzi.com/pdf/AFC.PDF>

Repair Parts or Accessories visit <http://jacuzzi.com/pdf/MPD.PDF>



MAINTENANCE INSTRUCTIONS

Cleaning the Bath

To clean your bath, simply use a mild, nonabrasive liquid detergent solution. You can protect and restore the gloss to a dulled acrylic surface by applying Meguiar's #10 Mirror Glaze, a product specifically designed for use on acrylic finishes. If Meguiar's is not available, an acrylic polish of equal quality or automotive paste wax is acceptable.

Never use abrasive household cleaners on any Jacuzzi Whirlpool Bath product.

Repairs to the Surface

Minor scratches which do not penetrate the color finish can be removed by lightly sanding with 600-grit wet/dry sandpaper. Restore the gloss using Meguiar's Mirror Glaze or automotive paste wax.

Major scratches and gouges which penetrate the acrylic surface will require refinishing. Ask your Jacuzzi Whirlpool Bath dealer for special instructions.

Bath Additives

NOTE: DO NOT USE OIL OR OIL BASED BATH ADDITIVES.

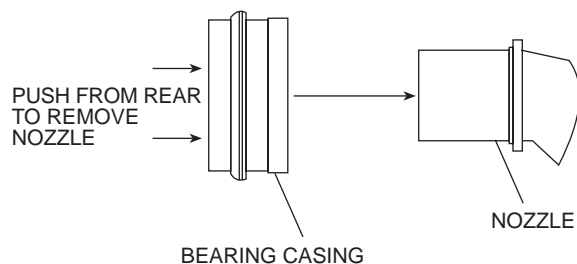
If you want to use any kind of bath additive, use only a small amount of low-foaming powder or crystal substance; the whirlpool action intensifies the foaming properties of soaps.

The use of certain bath oils, bubble baths and bath additives may increase the level of accumulations of bath residue in the whirlpool system. If excess accumulations persist, you should discontinue use of these products.

Spinning Jets Maintenance

(Models equipped with spinning jets)

If hair or other kind of debris gets caught in the bearings of these jets, it could cause them to stop spinning. This may require disassembly and cleaning. To do this, simply grab the nozzle and pull straight out of the jet housing. The bearing casing will be attached to the nozzle. These can be separated by holding the casing and pushing the nozzle out from the rear of the casing. After cleaning, reassemble in reverse.



Purging the Whirlpool System

NOTE: THE WHIRLPOOL SYSTEM SHOULD BE PURGED AT LEAST TWICE A MONTH

To remove accumulations of bath residue from the whirlpool system, it is recommended that a whirlpool bath be purged at least twice a month. For best results, however, we recommend that you purge your whirlpool bath after each use using, Systems Clean™, our exclusive two-part plumbing system cleaner made specifically for whirlpool baths.

Systems Clean™ is available through an authorized Jacuzzi Whirlpool Bath distributor or by calling us direct at 1-800-288-4002.

Systems Clean™ Instructions for use:

Refer to the instructions on the Systems Clean™ packet.
CAUTION: DO NOT USE WHILE BATHING! USE EXTREME CAUTION WHEN HANDLING THIS PRODUCT!

Immediately after bathing and exiting the whirlpool bath, leave the bath water in the tub and add more hot water. The water level in the tub must be at least 2" (5,08 cm) above the highest jet. **NOTE:** Inducted air from the hydromassage system will cause the Systems Clean™ contents to foam increasing odor. Turn OFF the whirlpool air control or turn it to the lowest setting and pour in the entire contents of PACKET #1 ONLY directly into the bath water. For best results, pour the System Clean into the tub near the intake for the circulation pump and be sure to avoid contact with your skin. Allow the whirlpool to run for 30 seconds and then add PACKET #2 ONLY. **It is important to use PACKET #1 before PACKET #2 to avoid a strong odor.** Allow the bath to run for 5 to 10 minutes then drain the tub completely. Refill the tub with cold water and run for 2 to 3 minutes. Drain completely and rinse off any residue. Remember to reset the air valves to your bathing comfort level.

DANGER: Harmful if swallowed. Eye irritant. Protect your eyes, skin and mucus membranes from contact with this product or its concentrated solution. A strong alkaline product can cause severe burns to the eyes and skin.

If you have followed the standard purging instructions above and still have an excess accumulation of bath residue and desire an alternative cleaning mechanism, we recommend **SUPER SYSTEMS CLEAN™ PLUS** manufactured by Stearns Packaging to rectify this condition. This may be obtained by contacting us at 1-800-288-4002. It is recommended that you follow the instructions provided by the manufacturer with the product. Repeated use may be necessary. **SUPER SYSTEMS CLEAN™ PLUS** does not replace the necessity to regularly purge your whirlpool system with Systems Clean™ as recommended.

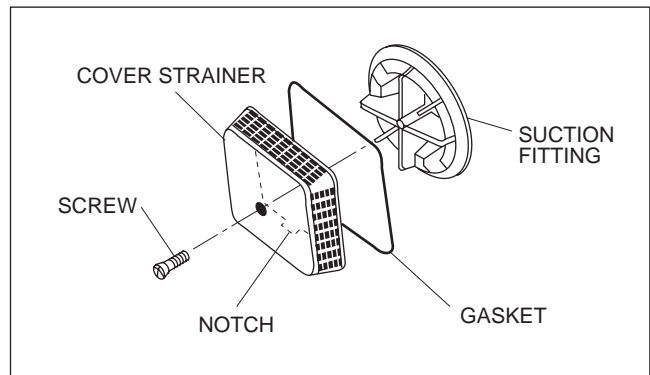
MAINTENANCE INSTRUCTIONS

Suction/Intake Cover/Strainer Maintenance

Clean the suction/intake cover/strainer of hair and debris when necessary. To do this, remove the center screw and detach the square cover. Clean the cover by backflushing debris from the holes. Replace the suction/intake cover immediately after cleaning. When reinstalling, orient the cover/strainer with the small notch at the bottom. The gasket must be inserted into the groove of the cover/strainer before reinstalling onto the suction fitting.

CAUTION: Keep hair a minimum of 6 inches (15,2 cm) away from the suction/intake fitting at all times when the whirlpool system is operating. Hair longer than shoulder length should be secured close to the head, or a bathing cap should be worn. Do not operate the whirlpool system with the suction/intake cover removed! It is a safety device and must always be in place on the suction fitting to minimize the potential hazard of hair and/or body entrapment.

SUCTION COVER/STRAINER ASSEMBLY

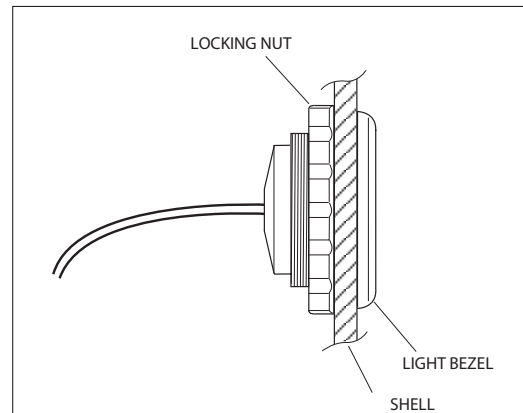


Lighting (Chromotherapy lighting)

Your unit has Chromotherapy (LED) lighting. If the lights fail to function contact your Jacuzzi Whirlpool Bath dealer. There are no customer serviceable components on the Chromotherapy lighting.

Replacement fixtures are available from your Jacuzzi Whirlpool Bath dealer.

LED LIGHT ASSEMBLY

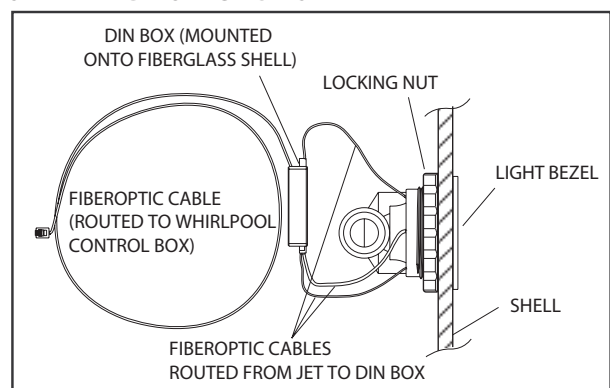


Lighting (optional Illumatherapy™ lighting)

If your unit has Illumatherapy (fiberoptic) lighting and the lights fail to function contact your Jacuzzi Whirlpool Bath dealer. There are no customer serviceable components on the Illumatherapy lighting.

Replacement fixtures are available from your Jacuzzi Whirlpool Bath dealer.

JET WITH FIBEROPTIC LIGHTS



General Whirlpool Bath Troubleshooting Guide

ENGLISH

PROBLEM	PROBABLE CAUSES	REMEDY
Pump/Motor does not start.	No power to pump/motor.	Reset GFCI.
	Pump/motor not plugged in.	Insert plug fully into outlet.
	Pump/motor faulty.	Replace pump/motor assembly.
	Jets are closed.	Open jets by rotating counterclockwise.
	Control panel cable disconnected.	Reconnect control panel cable at control or junction box.
Pump/Motor operates but no fully adjustable jets are functioning.	Suction cover may be clogged.	With motor turned off, remove safety cover and remove any debris. Clean thoroughly before replacing. Replace suction cover before operating.
Pump/Motor operates but air is not injected into water.	Air valves closed.	Use electronic controls to open air valves. Reset air valves to allow air flow.
	Overtightened, O-ring may be pinched or improperly seated, under tightened.	Untighten unions check and reseal O-ring. If O-ring has been pinched out of shape, replace (refer to number below). When tightening union nuts, hand tighten only.
Water leakage from pump unions.	Motor thermal protection has deactivated pump/motor due to overheating. (Supply voltage low.)	Let motor cool; thermal protection will reset. Check for proper ventilation. (Check supply voltage.)
Pump/motor shuts off by itself before set time elapses.	GFCI tripped.	Reset GFCI. If it continues to trip do not use this unit. Disconnect the unit and have the problem corrected by a licensed electrician before using.
	Inadequate supply wiring.	Consult a licensed electrician to correct wiring to unit.
Control panel not responding.	No power to control panel.	Power down the system by either unplugging the unit or shutting off the power at the house breaker panel. Wait 15 seconds then power back up. Retry the system by activating the feature that was not responding.
Lighting does not work	Cable disconnected or broken.	Reconnect loose cable. Repair broken cable wires.

NOTE: If unit is within the warranty period, contact Jacuzzi Whirlpool Bath Service Support at 1 - (800) 288-4002 with bath's serial number before work is started. The Serial Number is located on the Specification/Serial Number Plate. See page 26.



ADDENDUM

8-Button Electronic Control Panel for the 240 V Control System

ELECTRICAL REQUIREMENTS

The Addendum for the 8-button Electrical Control Panel is attached to the Luxury® Salon™ Installation and Operation Instructions, EL21000B. It provides the electrical requirements for the 240 V Control Systems.



8-Button Control Panel

SPECIFICATIONS FOR ALL UNITS

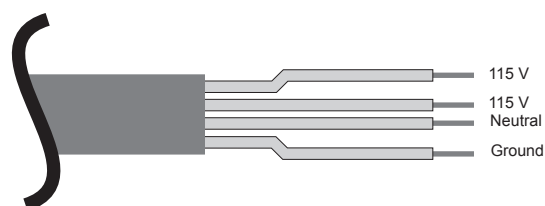
Electrical Service Requirements: Requires a separate dedicated GFCI-protected circuit

Blower: 120 VAC, 15 Amp, 60 Hz separate dedicated GFCI-protected circuit

Motor-Pump: 240 VAC, 15 Amp, 60 Hz separate dedicated GFCI-protected circuit

RapidHeat™: 120 VAC, 15 Amp, 60 Hz separate dedicated GFCI-protected circuit

DETAILS ON THE 4-WIRE, HARD WIRING

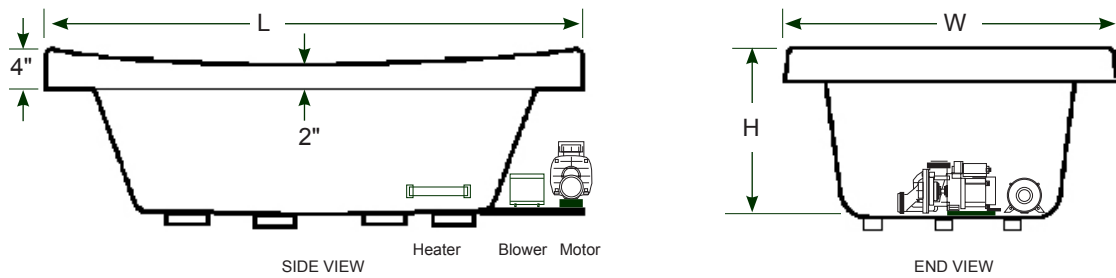


4-Wire, Hard Wiring

The following details will replace information found in the Combination Air Bath and Whirlpool Installation and Operation Instructions, BR28000B (4/05) manual.

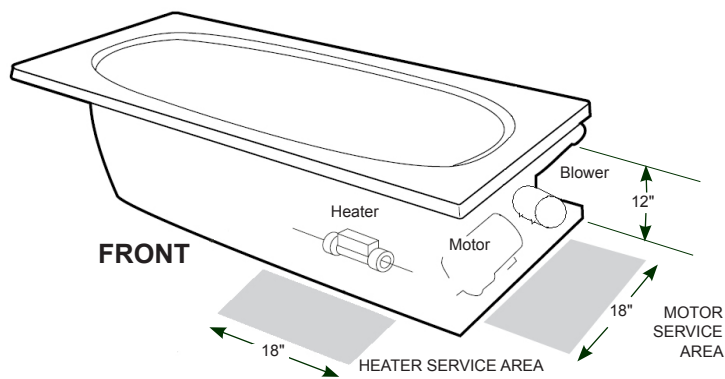
CAUTION: Install all electrical services on the right side of the bath. The blower has been moved from the left side to the right side, next to the pump motor.

NOTE: The following art replaces the similar art found on Page 1 of the Combination Air Bath and Whirlpool manual.



Allusion

NOTE: The following art replaces both pieces of similar art at the bottom of Page 3 of the manual. The art "Blower Service Access" shows the blower on the left end of the bath, but it has been moved to the right end, alongside the pump motor.



Pump Motor, Blower Service Access (Required)

AUTHORIZED SERVICE

If you need a referral for a service company near you, or need assistance with operation or maintenance related questions, please call our Service Support Department at 1-800-288-4002. Visit our web site at <http://www.jacuzzi.com/> for products and services.

To find service agent listings for:

Electrical or Mechanical Repairs visit <http://jacuzzi.com/pdf/ASA.PDF>

Finish, Surface, or Shell-Related Repairs visit <http://jacuzzi.com/pdf/AFC.PDF>

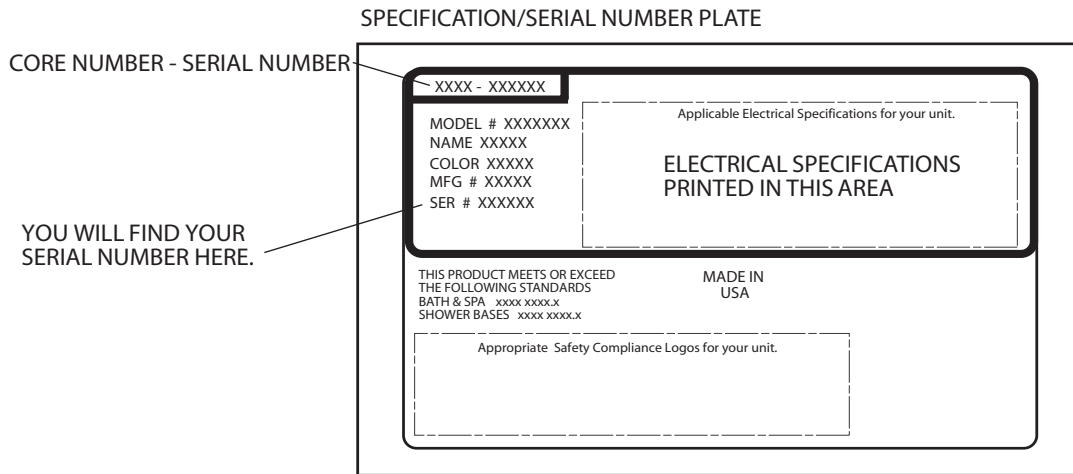
Repair Parts or Accessories visit <http://jacuzzi.com/pdf/MPD.PDF>

When requesting service or technical assistance please have available both the model and serial number of your unit. This information can be obtained from the product registration card provided with your unit. If the card has been misplaced, this information can be obtained from the specification/serial number label on the unit itself (for location of specification/serial number label see below).

BATH PRODUCTS

Whirlpool baths: The label is located on the wall of the bath near the pump/motor.

Non-jetted baths: The label is located next to the overflow.



**PRODUCT SPECIFICATIONS ARE SUBJECT TO CHANGE WITHOUT NOTICE.
USE INSTALLATION INSTRUCTIONS SUPPLIED WITH PRODUCT.**

Jacuzzi Whirlpool Bath has obtained applicable code (standards) listings generally available on a national basis for products of this type. It is the responsibility of the installer/owner to determine specific local code compliance prior to installation of the product. Jacuzzi Whirlpool Bath makes no representation or warranty regarding, and will not be responsible for any code compliance.

Jacuzzi Whirlpool Bath

P.O. Box 702168, Dallas, TX 75370-2168

Service Support: (800) 288-4002

©2005 Jacuzzi Whirlpool Bath K339000X 3/06



Printed on Recycled Paper

Printed in the U.S.A.

Jacuzzi Whirlpool Bath Limited Warranty Designer/Luxury Collection Bath Product

WARRANTY COVERAGE

Jacuzzi Whirlpool Bath (the "Company") offers the following express limited warranty to the original purchaser of any Jacuzzi Whirlpool Bath Designer Collection Bath Product ("unit") who purchases the product for personal or single family use ("user"). The Company will repair or replace, at its sole option, the unit or its equipment in accordance with the following terms and conditions.

TWO YEAR LIMITED WARRANTY ON BATHS

Our limited warranty on Designer Collection Bath products is for two (2) years. Our warranty covers the unit and factory-installed components (e.g., pump, motor) against defects in material or workmanship. Warranty coverage begins on the date the unit was originally purchased by the user.

FIVE YEAR (PARTS ONLY) LIMITED WARRANTY ON PUMP AND MOTOR

Our limited warranty on the pump and motor is for five (5) years for parts only. Warranty coverage begins on the date the unit was originally purchased by the user.

NINETY DAY (PARTS ONLY) LIMITED WARRANTY ON OPTIONS AND ACCESSORIES

Our limited warranty on options and accessories manufactured by the Company is for ninety (90) days for parts only. Our warranty covers options and accessories manufactured by the Company (e.g., fill spout kits, trim kits, skirts) against defects in materials or workmanship. Warranty coverage begins on the date the option or accessory was originally purchased by the user.

WARRANTY LIMITATIONS

Our limited warranty does not cover defects, damage, or failure caused by the common carrier, installer, user, or other person, or resulting from, without limitation, any of the following: careless handling (lifting unit by plumbing, abrading finish, etc.); modification of any type for any reason (including modification to meet local codes); improper installation (including installation not in accordance with instructions and specifications provided with the unit); connections supplied by the installer of the equipment; improper voltage supply or unauthorized electrical modification; misuse; incorrect operation, or lack of proper routine maintenance; operation of the unit without specified minimum amount of water or at inappropriate water temperature; use of abrasive or improper cleaners; or acts of God, such as lightning, floods, earthquakes, etc.

In addition, THE COMPANY WILL NOT BE RESPONSIBLE FOR INCIDENTAL OR CONSEQUENTIAL DAMAGES or losses arising from any cause (e.g., water damage to carpet, ceiling, loss of use, etc.) including its own negligence; damages to, respecting, or resulting from: plated parts when pool and/or spa chemicals are used in the unit; optional bath equipment not manufactured by the Company but supplied by Dealer, installer or the Company; the unit's prior usage as an operational display; or defects that should have been discovered before installation. This limited warranty does not include: labor, transportation, or other costs incurred in the removal and/or reinstallation of the original unit and/or installation of a replacement unit; any costs relating to obtaining access for repair; or loss of use damage, including loss of sales, profit or business advantage of any kind under any circumstances. Bath units are excluded from any warranty coverage if any addition, deletion, or modification of any kind whatsoever has been made to the unit (or to any component).

Warranty coverage is provided in the United States of America and Canada.

EXCLUSION OF IMPLIED WARRANTIES

IMPLIED WARRANTIES OF MERCHANTABILITY AND FITNESS FOR A PARTICULAR PURPOSE ARE DISCLAIMED ALTOGETHER OR TO THE FULLEST EXTENT ALLOWED BY LAW.

NOTICE: This warranty gives you specific legal rights, and you may also have other rights which vary from state to state. There are no warranties applicable to Jacuzzi Whirlpool Bath products except as expressly stated herein or as implied by applicable state and federal laws. The Company will not be responsible for any statements or representations made in any form that go beyond, are broader than or are inconsistent with any authorized literature or specifications furnished by the Company.

Some states do not allow limitations on how long an implied warranty lasts, or the exclusion or limitation of incidental or consequential damages, so the above limitations and exclusions may not apply to you.

RETURN OF WARRANTY CARD

The attached Warranty Registration Card MUST be filled out by the purchaser within thirty (30) days from purchase and mailed to Jacuzzi Whirlpool Bath in order for this warranty to become effective.



Jacuzzi Whirlpool Bath
P.O. Box 702168
Dallas, TX 75370-2168

RESPONSIBILITIES OF OTHERS

Inspecting the unit prior to installation is the responsibility of the installer or building contractor who acts on behalf of the user. They are responsible for ensuring the unit is free of defect or damage. Notices are placed on and in the unit and on the shipping carton advising the installer of this responsibility. In the event of a problem, the unit must not be installed. The Company is not responsible for failures or damage that could have been discovered, repaired, or avoided by proper inspection and testing prior to installation.

Damage occurring in transit is the responsibility of the carrier. The user or installer MUST open the crate and inspect the unit for damage when it is delivered. If damage is discovered, it must be reported immediately to the seller and the carrier in writing, and an inspection requested. Failure of the carrier to respond should be reported to the seller and the carrier. Your freight claims should be filed promptly thereafter.

It is the responsibility of the installer, building contractor, or user to provide access for service. The Company is not responsible for any costs relating to obtaining access for repair. The user shall bear such costs and, if appropriate, must seek recovery from the installer.

Damage occurring to the unit during installation is the responsibility of the installer and/or building contractor and damage occurring thereafter is the responsibility of the user.

Failure of any optional equipment is the sole responsibility of the equipment manufacturer. (Options and accessories manufactured by the Company are warranted for ninety (90) days from the original date of purchase for parts only.)

The Distributor or Dealer is responsible for knowing local code requirements and notifying the installing contractor and/or user of these requirements at the time of purchase. The Company is not responsible for costs to modify any product to obtain any code approval, such as city, county, or state building codes in U.S.A. or municipal or provincial codes in Canada.

WARRANTY SERVICE

For the customer's benefit, the Company maintains a list of independent service personnel to perform required warranty service repairs. Such firms are not agents or representatives of the Company and cannot bind the Company by words or conduct.

The Company will provide the warranty service described above when the following conditions have been met: the failure is of the nature or type covered by the warranty; the user has informed an Authorized Jacuzzi Whirlpool Bath Service Agent or Warranty Service Department Representative of the nature of the problem during the warranty period; conclusive evidence (e.g., proof of purchase or installation) is provided to the foregoing by the user proving that the failure occurred or was discovered within the warranty period; an authorized independent service person or Company representative has been permitted to inspect the unit during regular business hours within a reasonable time after the problem was reported by the user.

In order to obtain warranty service, consult your local telephone book for the location of the nearest Jacuzzi Whirlpool Bath Authorized Service Agent. Describe the problem and the Authorized Service Agent will inspect the unit and provide the required warranty service.

If you are unable to contact a Jacuzzi Whirlpool Bath Authorized Service Agent, call or write:

Jacuzzi Whirlpool Bath
Warranty Service Department
14801 Quorum Dr., Suite 400
Dallas, TX 75254
Call: (800) 288-4002

To obtain warranty replacement for factory-installed components for Company supplied options and accessories manufactured and supplied by the Company, call or write the above. Provide a description of the problem and proof of purchase. You will be instructed how to obtain replacements and where to return, at your expense, the failed component(s), option(s), or accessory(ies).

All replacement parts, equipment, and repairs shall assume the remaining warranty period of the part(s) replaced.

The Company's warranty obligation shall be discharged upon tender of replacement or repair. The customer's refusal to accept the tender terminates the Company's warranty obligation.

©2005 Jacuzzi Whirlpool Bath K339000X 3/06

Ninety-Day
Parts Only
Limited Warranty
On
Accessory(ies)

Ninety-Day
Parts Only
Limited Warranty
On
Accessory(ies)



Warranty Registration Card

This card must be filled out and returned to the address printed on the other side within thirty (30) days from date of purchase in order for this warranty to be come effective.

Purchaser's Name _____

Purchaser's Address _____

City _____ State _____ ZIP _____

Date of Purchase _____

Model Name _____

Serial Number _____

Dealer's Name _____

Dealer's Address _____

1. How did you first hear about this Jacuzzi® product?
 - Advertisement Article in Magazine/Newspaper
 - Visited Dealer/Plumbing Supplier Yellow Pages
 - Builder/Plumber/Remodeler Decorator/Architect
 - Visited Retailer/Home Center Store
 - Word of Mouth ... Friend/Relative/Acquaintance
 - Other (Please Describe) _____
2. Who first gave you specific information about this product (specifications, prices, etc.)?
 - Dealer/Plumbing Supplier Builder Remodeler
 - Plumbing Contractor Retailer/Home Center Store
 - Decorator/Architect Already Installed
3. What was the main reason for purchase?
 - Styling Warranty Service Product Features
 - Brand Name Price Hydrotherapy
 - Home Resale
 - Other _____
4. Who finally decided which product you would buy?
 - Self Spouse Self and Spouse Together
 - Other Family Member Designer/Architect
 - Builder/Plumber/Remodeler Already Installed
5. Who installed?
 - Already installed/New Home
 - Contractor/Plumber when remodeling
 - Self/Spouse when remodeling
 - Other _____
6. What is the current market value of this property? _____
7. Please estimate \$ _____
8. What is the age of the head of the household? _____ years
9. What other manufacturers did you consider?
 - Eiler Lasco Price Pfister Aqua Glass
 - Kohler American Standard Sterling
 - Other (Specify) _____
10. How long did you shop before purchasing unit?
 - 1 day 2 months- 6 months
 - 2-7 days 6 months- 1 year
 - 1 week- 2 weeks 1 year- 2 years
 - 2 weeks- 4 weeks +2 years
 - 1 month- 2 months
11. Approximately how long have you lived in this home? _____
12. Please indicate, approximately, the total annual income of your household.
 - Up to \$24,999 \$50,000 to \$74,999
 - \$25,000 to \$29,999 \$75,000 to \$99,999
 - \$30,000 to \$39,999 \$100,000 to \$149,999
 - \$40,000 to \$49,999 \$150,000 and Above
13. How technically aware were you of the patented Jacuzzi® jet system prior to your purchase?
 - Not aware Somewhat aware Very aware

JACUZZI WHIRLPOOL BATH
K339000X

Free Manuals Download Website

<http://myh66.com>

<http://usermanuals.us>

<http://www.somanuals.com>

<http://www.4manuals.cc>

<http://www.manual-lib.com>

<http://www.404manual.com>

<http://www.luxmanual.com>

<http://aubethermostatmanual.com>

Golf course search by state

<http://golfingnear.com>

Email search by domain

<http://emailbydomain.com>

Auto manuals search

<http://auto.somanuals.com>

TV manuals search

<http://tv.somanuals.com>