



CHROMATHERAPY LIGHT KIT INSTALLATION AND OPERATION INSTRUCTIONS

The Jacuzzi Chromatherapy Lamp provides beautiful and practical illumination to your bath. It includes vivid rotating colors or penetrating white lighting to enhance your Jacuzzi experience, and is built to give years of service and pleasure.

The Lamp can be installed on most Jacuzzi baths or on any bath having sufficient flat space on the bath shell. The basic kit consists of an electrical control box and one Chromatherapy Lamp, with all necessary modular cables. The control box can support up to four lamps. An additional lamp kit is available and provides one lamp and one cable.

The installation requires drilling a hole in the bath shell for the control panel and each lamp. The Installation and Operation Instructions will provide all the information required for planning the installation, completing the installation, and complete operation of the equipment. The control box must be installed meeting applicable local building and electrical codes on a stud beam or wall.

CONTENTS

Basic Lamp Kit	1
Planning Installation	1
Control Panel	2
Chromatherapy Lamp	2
Mount the Control Box	3
Drill the Holes	3
Drill Hole for Control Panel	3
Drill Hole for Lamp(s)	3
Install Panel and Lamp(s)	4
Mount Control Panel	4
Mount Chromatherapy Lamp(s)	4
Leak Test	5
Operate Chromatherapy Lighting	5
Use Chromatherapy Lighting	5
Control Chromatherapy Lighting	5
Control Color Lighting	5
Control White Lighting	5

BASIC LAMP KITS

- GD56000 Complete kit
 - One control box for wall mounting
 - One control panel and one control cable (RJ-45 plug)
 - One lamp and one lamp cable (RJ-11 plug)
- GQ88000 Accessory lamp kit
 - One lamp and one lamp cable (RJ-11 plug)

To add an additional lamp, up to four total, order the accessory lamp kit. It includes one lamp and one lamp cable. Each lamp is mounted in the same manner, and is connected to the control box as described. To order additional lamps, please contact your Jacuzzi dealer or agent.

IMPORTANT: Read the instructions before beginning the installation.

PLANNING INSTALLATION

It is necessary to plan the location of the control box, control panel, and each lamp before drilling any holes. A possible configuration of the Chromatherapy equipment is shown in Figure 1.

First, consider the location requirements for the control panel and lamp(s), see Figure 2. The control panel cannot be immersed in the bath water. Therefore it must be positioned at least one inch above the level of the overflow drain. On the other hand, the lamp(s) must be positioned a minimum of 4 inches below the normal water line.

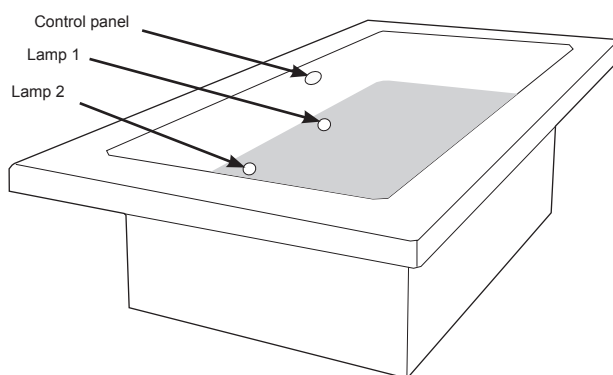


Figure 1. Possible configuration for Chromatherapy assembly

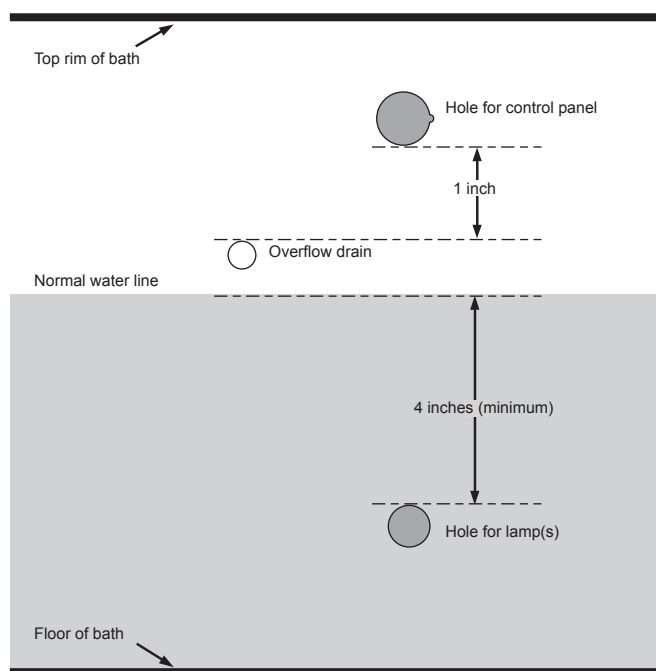


Figure 2. Locate the Holes for Control Panel and Lens(es)

CAUTION: The panel and lamp(s) require modular cables from behind. Make sure the proposed location of the panel and lamp(s) will not cause cables to interfere with the bath plumbing

The control panel and each lamp must be mounted on a minimum flat surface space of the bath shell, see Table 1, Mounting Surface Requirements.

Table 1. Mounting Surface Requirements

EQUIPMENT	FLAT MOUNTING SURFACE
Control panel	3 x 2 inches
Lamp (each)	2-1/2 by 2-1/2 inches

Next, consider the following cable lengths, starting with the control box. See Table 2, Cable Lengths.

Table 2. Cable Lengths

CABLE	LENGTH
Control box cable	32 inches
Control panel cable	72 inches (6 feet)
Chromatherapy lamp	84 inches (7 feet)

The control box must be mounted on a stud beam or secure wall within 32 inches of the GFCI power outlet. The outlet must be a minimum of 4 inches above the floor. In addition it must be located no further than the length that the modular control cable or any lamp cable may extend.

Once the location of the control box has been determined, you may determine the location of the control panel and the lamp(s), and prepare to drill a hole for each item.

Control Panel

Before marking the inside of the bath shell, place masking tape over the entire area of the proposed hole. The tape will help prevent chipping of the acrylic.

Writing on the tape, use a pointed marker to indicate the outline of the hole for the control panel, see Figure 3. The control panel is 2-1/2 by 1-1/2 inches and requires a minimum of 3 by 2 inch flat mounting surface. Carefully mark the center of the hole.

Also mark the 5/32 inch notch at the right side of the diameter, and mark the center of the notch. It is critical to measure the hole and notch precisely.

Chromatherapy Lamp

Use a marker to indicate on the inside of the bath shell where the lamp(s) will be located

CAUTION: Before marking the inside of the bath shell, place masking tape over the entire area of the proposed hole, to help prevent chipping of the acrylic.

Use a marker to indicate the location of the Chromatherapy lamp(s). The lamp is 2 inch diameter and requires a minimum of 2-1/2 diameter flat mounting surface. (Locate as many lamps as are intended for installation.) Indicate a hole for 1-5/8 inch diameter, see Figure 4.

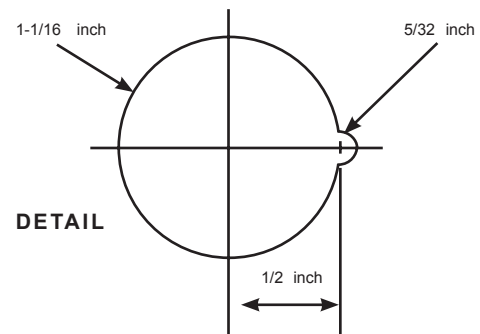


Figure 3. Hole for Control Panel

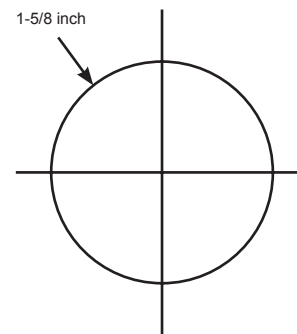


Figure 4. Hole for Chromatherapy Lamp(s)

MOUNT THE CONTROL BOX

Mount the control box to a stud beam or secure wall using four No. 10 screws, or four No. 20, 1/4 inch screws. The mounting holes for the screws are shown in Figure 5.

NOTE: The modular plugs are also shown in the figure. Position the control box in the most advantageous way, considering the length and direction of the modular cables.

CAUTION: The power cable must be connected to a dedicated ground fault circuit interrupter (GFCI). No other outlet is acceptable to this equipment.

Attach the control box securely to the mounting location.

DRILL THE HOLES

After preparation of the bath shell for drilling the hole for the control panel and each Chromatherapy lamp, proceed with drilling the holes. This should be completed by a technician experienced in drilling through a fine acrylic material.

The areas of the holes have been covered with masking tape and carefully outlined to indicate the location and size of the holes. The tape will help prevent chipping of the acrylic.

Drill Hole for the Control Panel

The control panel has been located a minimum of one inch above the level of the overflow drain. It has been marked for a 1-1/16 inch diameter with a 5/32 inch notch at the right center, see Figure 3.

CAUTION: Drill the holes from the inside of the unit carefully to prevent chipping or cracking of the acrylic shell. Use a drill guide for best results and begin drilling at low speed until the drill penetrates the acrylic layer, then use a high speed for the remaining material.

1. First use a 5/32 inch drill bit to carefully drill the notch.
2. Use the 5/32 inch drill bit to drill a pilot hole for the 1-5/8 inch hole.
3. Use a 1-1/16 inch drill bit to complete the hole for the lamp.
4. Remove any and all burrs or roughness from the inside of the hole.

Drill Hole for the Lamp(s)

The lamp(s) has been located a minimum of 4 inches below the normal water level. It has been marked for a 1-5/8 inch diameter, see Figure 4.

CAUTION: Drill the holes from the inside of the unit carefully to prevent chipping or cracking of the acrylic shell. Use a drill guide for best results and begin drilling at low speed until the drill penetrates the acrylic layer, then use a high speed for the remaining material.

1. Use the 5/32 inch drill bit to drill a pilot hole for the 1-1/16 inch hole.
2. Use a 1-5/8 inch drill bit to complete the hole for the control panel.

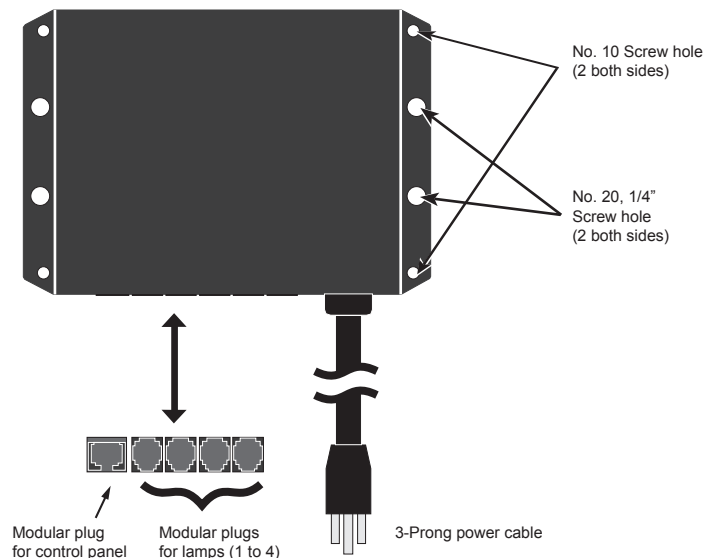


Figure 5. Control Box Connections

- Remove any and all burrs or roughness from the inside of the hole.

Clean away all debris and tools from the area. Use a moist cotton cloth to wipe the inside and shelf of the bath rim.

INSTALL PANEL AND LAMP(S)

Install the control panel and each lamp as described below.

Mount Control Panel

The hole for the control panel has a notch to ensure proper mounting alignment of the control panel on the bath, see Figure 6.

- Apply clear silicone to the back side of the control panel and insert the panel into place.

CAUTION: Do not permit silicone to enter the plug area at the back of the panel. Failure to comply may result in damage to the equipment.

- Press the panel fast against the inside surface of the bath. Make sure the panel is pressed completely against the shell.
- Remove excess silicone from around the control panel.
- Allow the silicone to cure to ten to fifteen minutes undisturbed.
- Attach the control cable from the control panel to the control box, see Figure 7. The proper plug for the control panel is shown in Figure 5.

Mount Chromatherapy Lamp(s)

The hole is ready to mount the lamp(s), see Figure 8.

- Remove the retainer nut from the lamp assembly.
- Apply clear silicone around the back of the edge of the lamp.

CAUTION: Do not permit silicone to enter the plug area at the back of the lamp. Failure to comply may result in damage to the equipment.

- Insert the lamp housing through the hole in the bath shell so that the edge of the lamp housing is tightly against the inside surface of the bath. Make sure the lamp is pressed completely against the shell to prevent leakage.
- From the outside of the bath shell, screw the retainer nut over the threaded body, as shown in the figure. Hand-tighten the retainer nut onto the lens threads. Do not permit the lamp to rotate while tightening the retainer nut.
- Remove any excess silicone from around the lamp.
- Allow the silicone to cure for ten to fifteen minutes.
- Attach the light cable from the back of the lamp to the control box see Figure 7. The proper plug for the lamp(s) is shown in Figure 5.

NOTE: There are four plugs for up to four lamp cables. Any of the four plugs can be used for proper operation. Jacuzzi recommends that you start with the left-most plug, closest to the control box cable plug to attach each lamp.

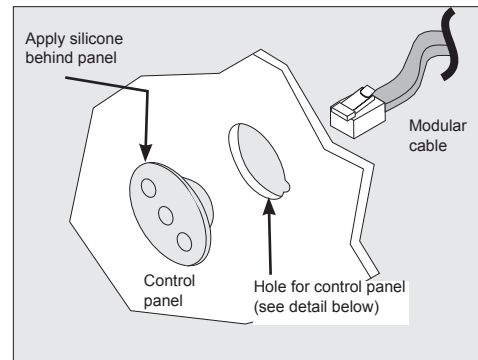


Figure 6. Mount the Control Panel

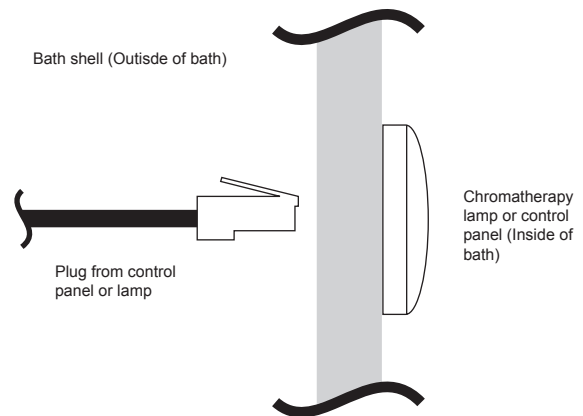


Figure 7. Attach plug to Chromatherapy device

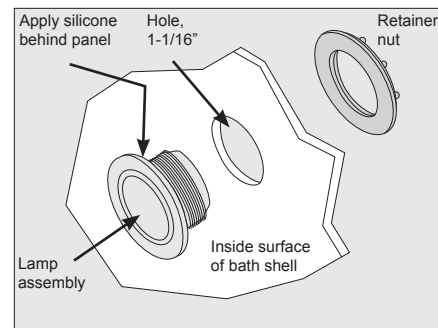


Figure 8. Hole for Chromatherapy Lamp(s)

LEAK TEST

Allow the silicone to cure for 24 hours before performing the Leak Test. Fill the bath with water and check for leakage at the lamp location(s).

OPERATE CHROMATHERAPY LIGHTING

The Chromatherapy Control Panel is located for easy access while using the bath, see Figure 8. It is controlled by a three-button panel. The three button panel controls the Light Switch (center button), and two arrow keys (the Up Arrow and the Down Arrow), see Figure 9.

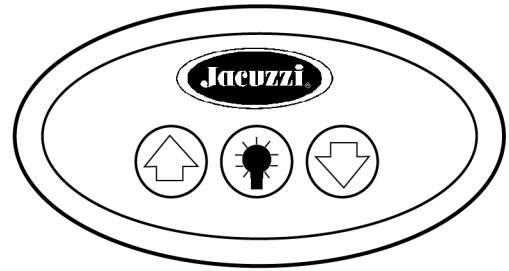


Figure 9. Chromatherapy Control Panel

Use Chromatherapy Lighting

1. Press the Control Panel Light Switch to initiate the Chromatherapy Lighting. The color that shines is the last color that was on when the Chromatherapy Lighting was turned off (Programmed Color).
2. Press the Light Switch again to initiate the simple White Lighting.
3. Press the Light Switch a third time to turn off the Chromatherapy Lighting.

Control Chromatherapy Lighting

The use of the arrow keys provides beautiful and useful options for the lighting.

CONTROL COLOR LIGHTING

When you initiate the Chromatherapy Lighting, the Programmed Color will shine. Use the Up Arrow to initiate cycling through the colors. The scrolling through the wonderful colors indeed provides a "chromatherapeutic" effect.

NOTE: The color cycle is: Orange, red, pink, violet, blue, green, yellow, and orange again. (If you use the Down Arrow, the color cycling will follow the reverse order through the colors.)

If you want to stop at a particular color, simply use the Up Arrow again to stop the cycling.

CONTROL WHITE LIGHTING

In the White Lighting setting there are two positions for a brighter light, controlled by the Up Arrow; and two positions for the dimmer light, using the Down Arrow.

Free Manuals Download Website

<http://myh66.com>

<http://usermanuals.us>

<http://www.somanuals.com>

<http://www.4manuals.cc>

<http://www.manual-lib.com>

<http://www.404manual.com>

<http://www.luxmanual.com>

<http://aubethermostatmanual.com>

Golf course search by state

<http://golfingnear.com>

Email search by domain

<http://emailbydomain.com>

Auto manuals search

<http://auto.somanuals.com>

TV manuals search

<http://tv.somanuals.com>