



**SUMMER RAIN™**

**2 WALL & 3 WALL**

**WALK-IN SHOWER SYSTEMS**

**INSTALLATION AND OPERATING INSTRUCTIONS**



## **IMPORTANT SAFETY INFORMATION**

Do not place or use electrically connected devices, such as television, radio, or stereo speakers, lights, hair dryers, or telephones, within 1.5 m (5 feet) of shower.

**Note: This is a professional grade product. A knowledge of construction techniques, plumbing and electrical installation according to codes are required for proper installation and user satisfaction. We recommend that a licensed contractor perform the installation of all Jacuzzi Whirlpool Bath products. Our warranty does not cover improper installation related problems.**

# CONTENTS

## 2 WALL

Specifications _____	2
Rough-in Reference _____	3
Component Identification _____	4
Base Installation _____	5-7
Tower and Glass Panels Installation _____	8-12

## 3 WALL

Specifications _____	13
Rough-in Reference _____	14
Component Identification _____	15
Base Installation _____	16-18
Tower and Glass Panels Installation _____	19-22

## 2 & 3 WALL

Operation _____	23
Maintenance _____	24
Authorized Service _____	24
Tower Fixture Repair Parts _____	25
Tower Plumbing Repair Parts _____	26
2 Wall Unit Repair Parts _____	27
3 Wall Unit Repair Parts _____	28
Warranty _____	29-30

**Save These Instructions for Future Use.**

<b><i>Owner's Record</i></b>	
Date Purchased _____	_____
Purchased From _____	_____
Installed By _____	_____
Serial Number _____	_____
Model _____	_____

## 2 WALL SPECIFICATIONS

### Important: Read complete instructions before beginning installation.

Each unit arrives ready for installation, equipped with base, glass and associated hardware.

Remove the unit from the carton. Retain the shipping carton until satisfactory inspection of the product has been made.

Immediately upon receipt, inspect the base and other components before installing. Check all carton inserts for parts and hardware. Should inspection reveal any damage or defect in any component, do not install the unit. Damage or defect to any component claimed after the unit is installed is excluded from the warranty. Jacuzzi Whirlpool Bath's responsibility for shipping damage ceases upon delivery of the products in good order to the carrier. Refer any claims for damage to the carrier. For definitions of warranty coverage and limitations, refer to the published warranty information packed with the product.

Jacuzzi Whirlpool Bath is not responsible for any defect that could have been discovered, repaired, or avoided by following this inspection.

### BASE SPECIFICATIONS

#### DIMENSIONS

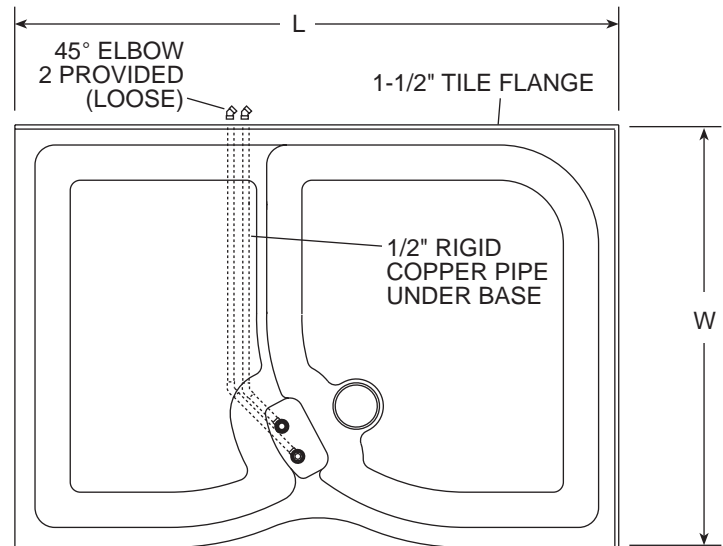
60" (1219 mm) L  
42-5/16" (1075 mm) W  
4" (102 mm) H

#### PRODUCT WEIGHT (Base + Enclosure )

196 lb  
(89 kg)

#### TOTAL WEIGHT/ FLOOR LOADING

396 lb  
(180 kg)/  
23 lb/sq. ft.  
(112 kg/sq. m)



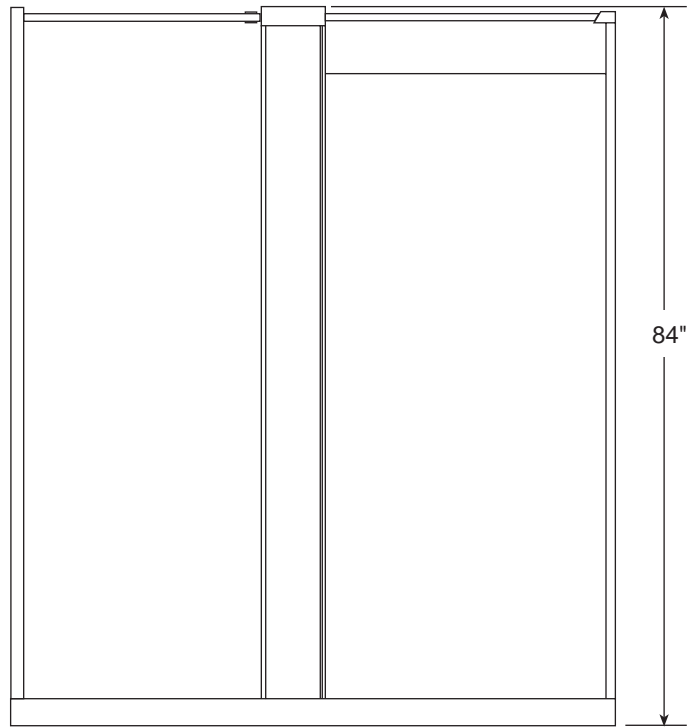
TOP VIEW



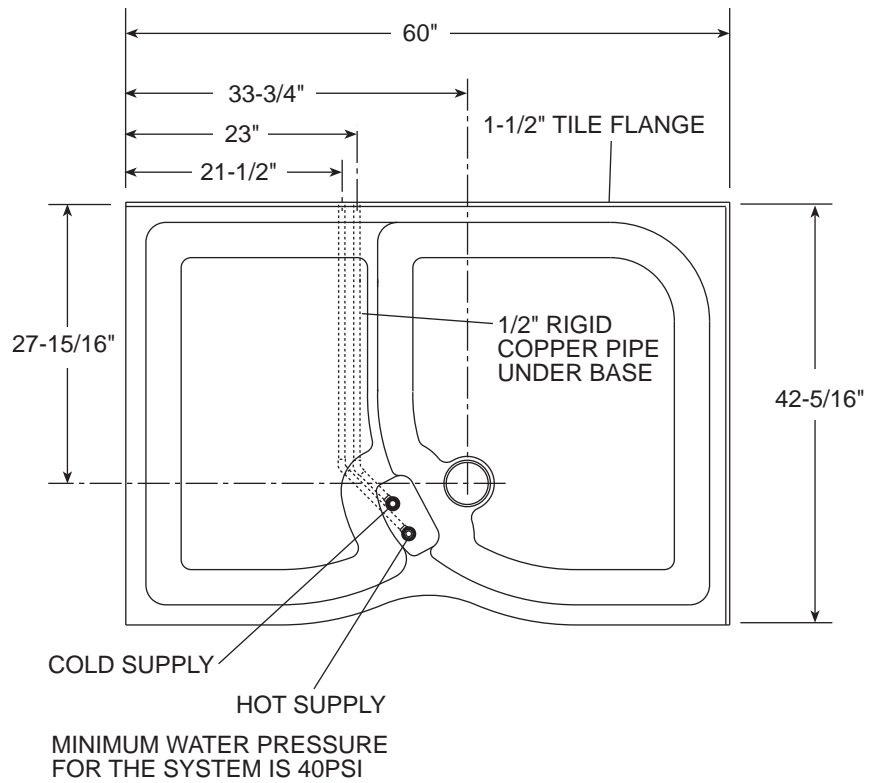
FRONT VIEW

**NOTE: MINIMUM WATER PRESSURE  
FOR THE SYSTEM IS 40 PSI.**

## 2 WALL ROUGH-IN REFERENCE

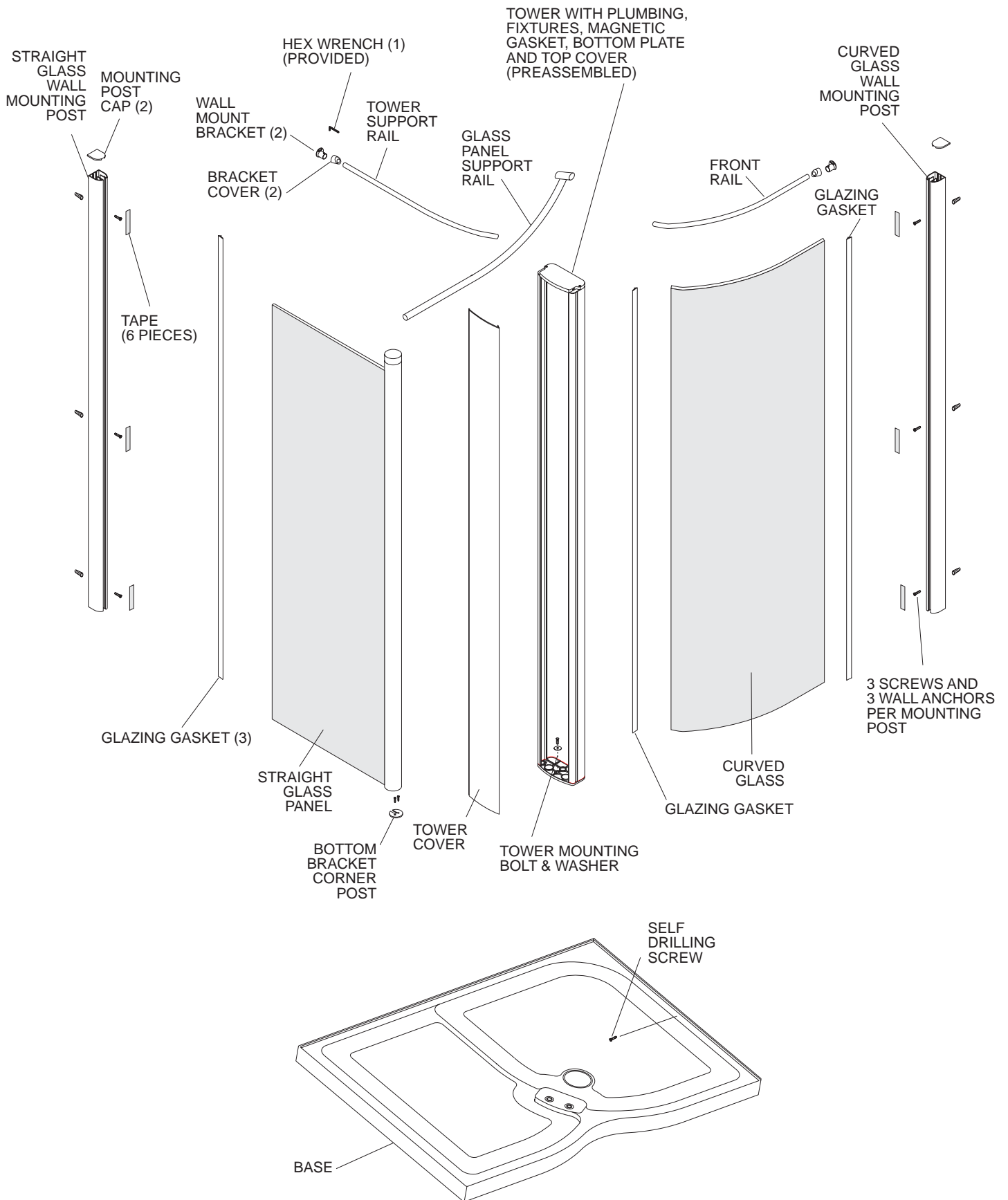


FRONT VIEW



TOP VIEW

## 2 WALL COMPONENT IDENTIFICATION



## 2 WALL BASE INSTALLATION

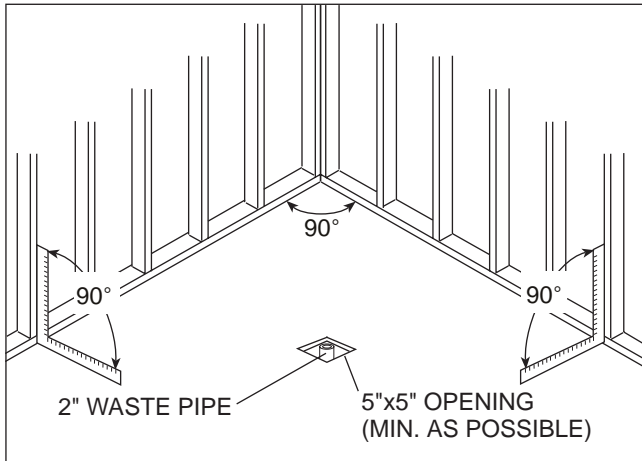
### PRELIMINARY ROUGH-IN

The floor structure beneath the unit must be able to support a total weight of the unit and bather. Refer to the table under total weight.

### STEP 1

Provide an opening in the subfloor no less than 5" x 5" square. This opening should be located on the center lines of the shower base drain hole (See Product Chart).

The opening is to accommodate a 2" waste pipe. The waste pipe should be 1/4" to 1/2" above the surface of the subfloor.

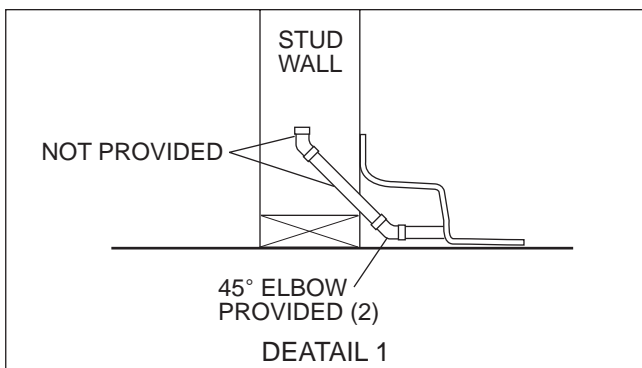


As shown in top view, 1/2" copper pipes are provided to connect to the water supply. Also provided are 2 loose 45° elbows as shown for installation in Detail 1.

**CAUTION: A nonflammable protective barrier must be placed between soldering work and base unit to prevent damage to the base.**

When connecting the supply lines, the toe plate can be notched to accommodate the pipes.

The pipe under the base can be cut to length. To do so, remove the pipe clamps under the base, cut the pipe and reinstall pipes.

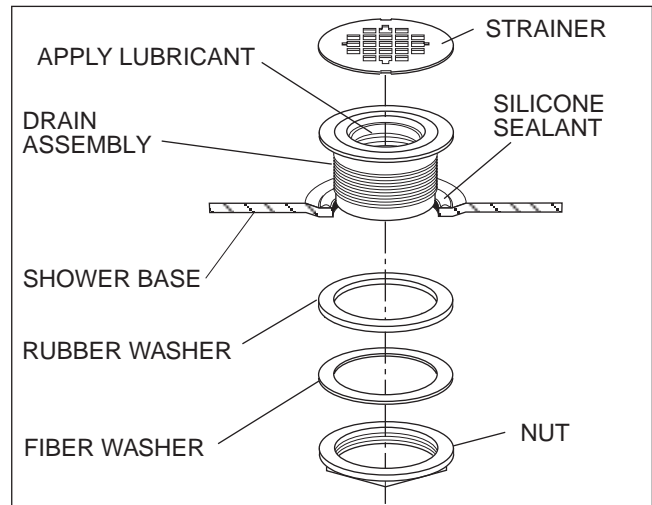


### INSTALLATION INSTRUCTIONS

### STEP 2

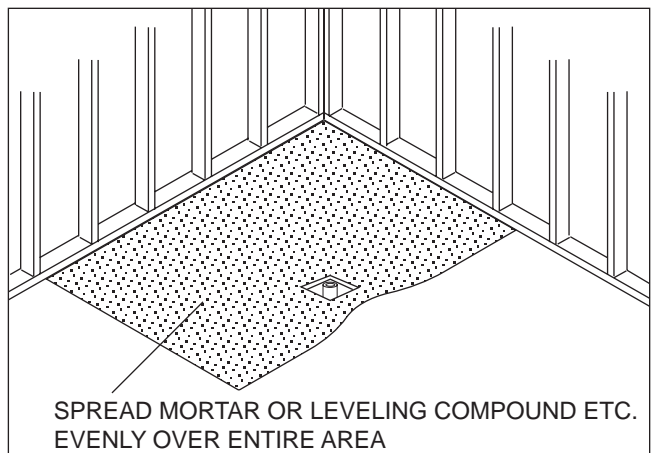
Remove the stainless steel strainer from the drain assembly. Disassemble the locknut and two gaskets from the back of the drain assembly. Apply a 1/4" bead of caulking (silicone) to the drain hole and insert the drain assembly. Replace the rubber washer, fiber washer, and lock nut in that order. Hand tighten the locknut. Remove excess sealant from finished side.

Apply a lubricant (common household liquid soap works well) to the inside of the rubber seal of the drain assembly.



### STEP 3

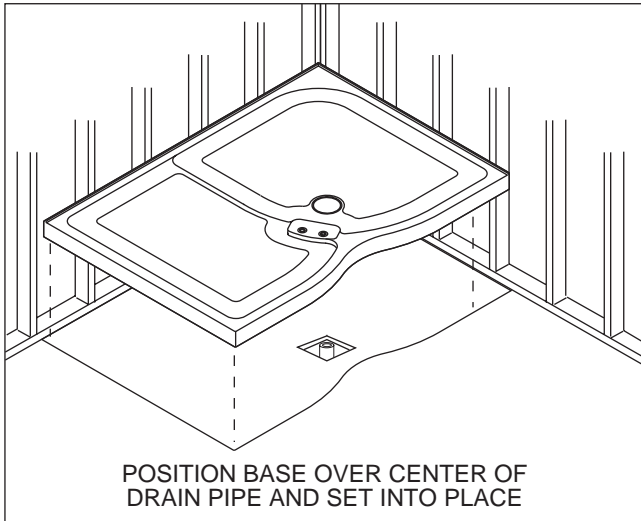
If the subfloor is level, no other preparation is necessary. You can proceed to install the shower base. If the subfloor is not level, level shower base by spreading floor leveling compound, mortar, plaster or minimal expansion structural foam with a minimum density of 5 lbs./cubic feet **EVENLY** over **ENTIRE** area where base will be installed. The compound used **MUST** make contact with the entire bottom surface of the base. Both sides of a joint or splice of subfloor should be level to each other. Level and support waste pipe cutout area greater than 5" x 5". The base is **NOT** to be supported by the tile flange.



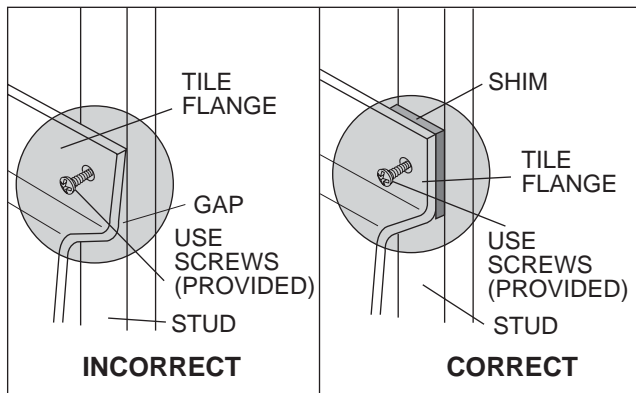
## 2 WALL BASE INSTALLATION

### STEP 4

With the drain fitting passing over the center of the drainpipe, lower the shower base carefully into place, push down firmly until the base is in place. You **must** check the level of the base in two directions. Do **not** lift a corner to level the base. This will cause a loss of contact with the mortar. Attach the shower base flange to the stud wall and blocking with self-drilling screws (included). Use a minimum of 3 screws per flange section.



**NOTE: If there is any gap between base flange and stud or blocking, shims MUST be used to prevent distortion or cracking of the flange.**

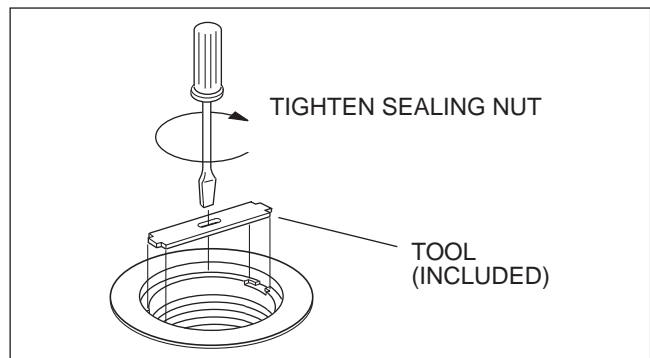


### STEP 5

With a large screwdriver and the tool included with the drain, tighten the inside compression nut to seal the drain pipe connection. After drain is fully installed, test for proper drainage. If the shower base does not drain properly, rectify this condition before proceeding with the installation. **Jacuzzi Whirlpool Bath is not responsible for removal and/ or reinstallation costs.**

**NOTE: Watertight installation of the drain is the installer's responsibility. Drain leakage is excluded from the Jacuzzi Whirlpool Bath warranty.**

Replace the strainer and tape over the drain hole to prevent finishing material from entering drain.

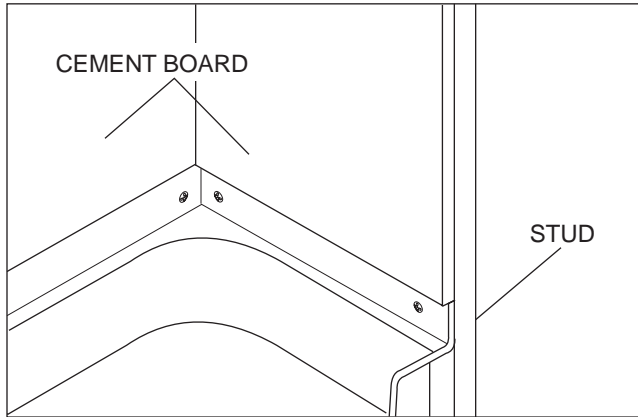




## 2 WALL BASE INSTALLATION

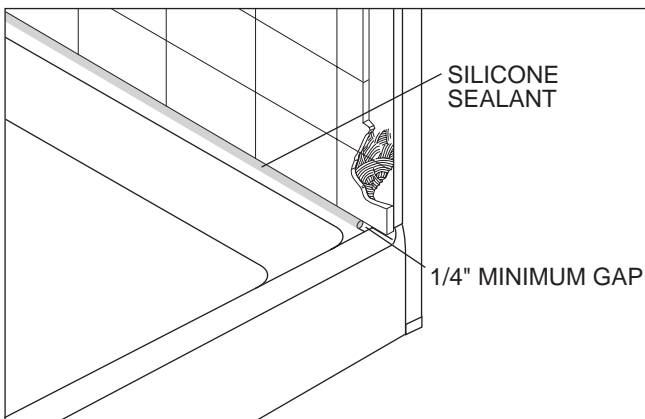
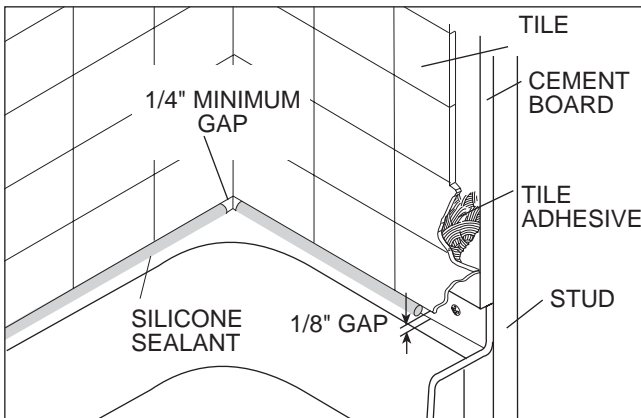
### STEP 6

Place cement board or equivalent on top of shower base flange and secure to studwall.



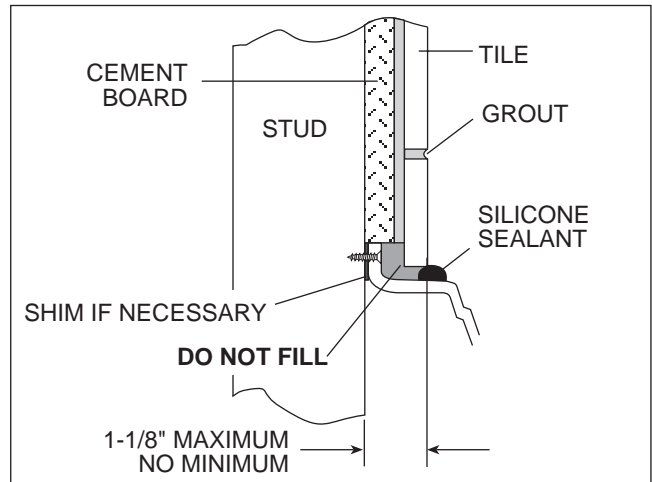
### STEP 7

Apply tile (or other finishing material) leaving a 1/8" gap between the finishing material and the shower base flange lip. Seal this gap with silicone sealant. Leave a minimum 1/4" gap at the back and front corners of the shower base to allow drainage from leakage through unsealed tiled grout.



### STEP 8

Filling the area marked **DO NOT FILL** will prevent moisture from draining back into the base through the weep holes. This moisture is due to leakage through the tile grout. Sealing the tile grout will prevent this leakage.



### CLEAN-UP AFTER INSTALLATION

To avoid dulling and scratching the acrylic surface of the base, never use abrasive cleaners. A mild liquid detergent and warm water clean soiled surfaces.

Remove spilled plaster with a wood or plastic edge. Metal tools scratch the surface. Spots left by plaster or grout can be removed if lightly rubbed with detergent on a damp cloth or sponge.

Paint, tar, or other difficult stains can be removed with paint thinner, turpentine, or isopropyl alcohol (rubbing alcohol).

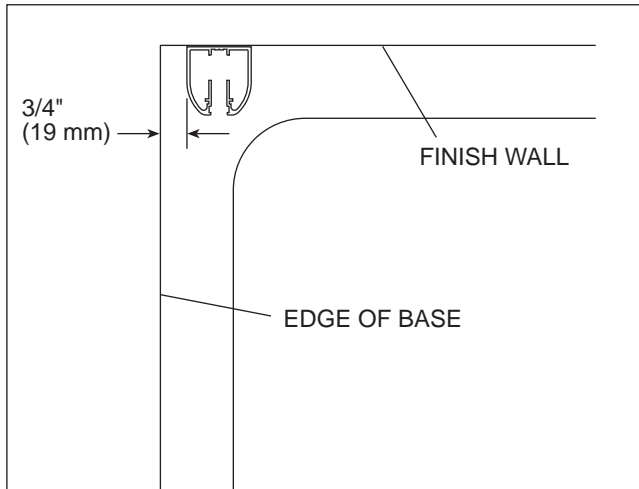
Minor scratches which do not penetrate the color finish can be removed by lightly sanding with 600-grit wet/dry sandpaper. You can restore the glossy finish to the acrylic surface of the base with a special glossy compound, Meguiar's #10 Mirror Glaze. If not available, use automotive rubbing compound followed by an application of automotive paste wax.

Major scratches and gouges which penetrate the acrylic surface require refinishing. Ask your Jacuzzi Whirlpool Bath dealer for special instructions.

## 2 WALL: TOWER, FIXED WALL AND CURVED GLASS INSTALLATION

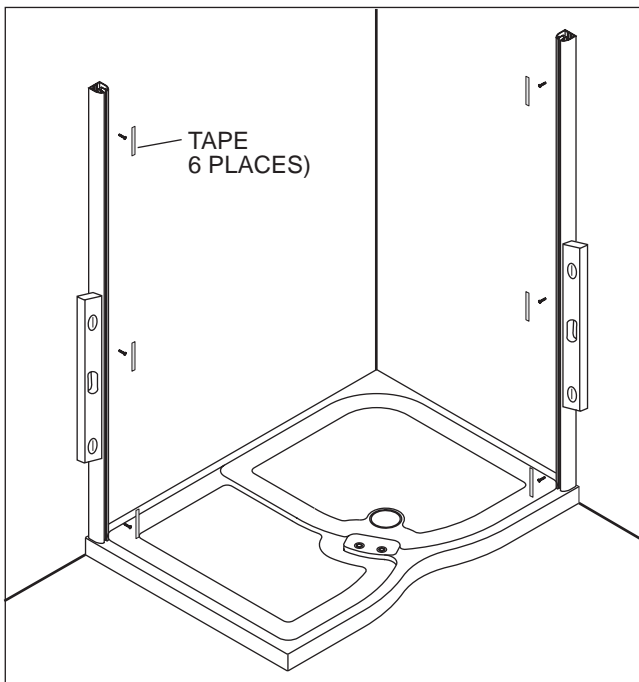
### STEP 1

Position the wall posts so the edge of the post is set back 3/4" (19 mm) in from the edge of the base



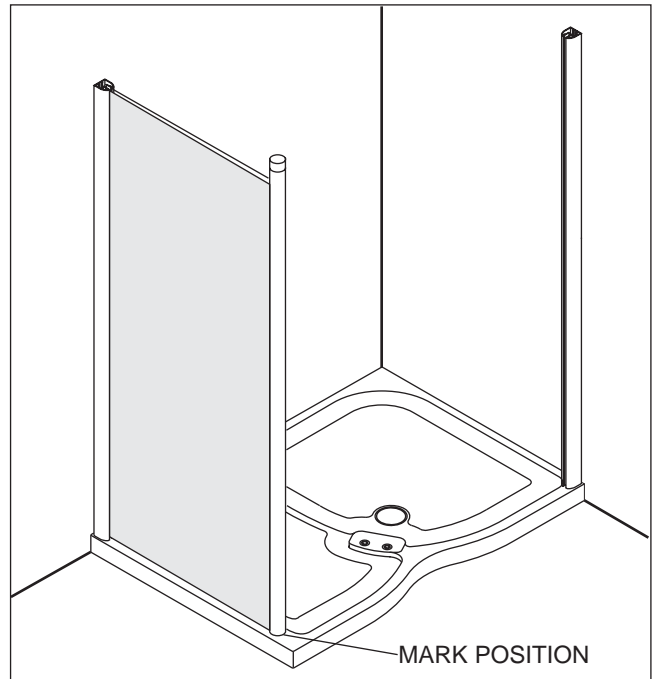
### STEP 2

Level both wall posts in their proper position and mark where screw holes are to be drilled. Drill 3/16" holes and secure with wall anchors and screws provided. Cut a 12" strip of tape (provided) and apply firmly over screw heads.



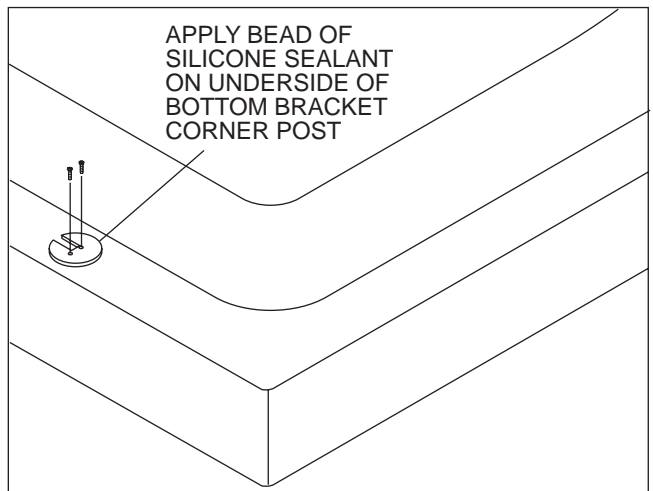
### STEP 3A

Slide straight glass panel all the way into wall post. Mark position of glass post. Remove panel.



### STEP 3B

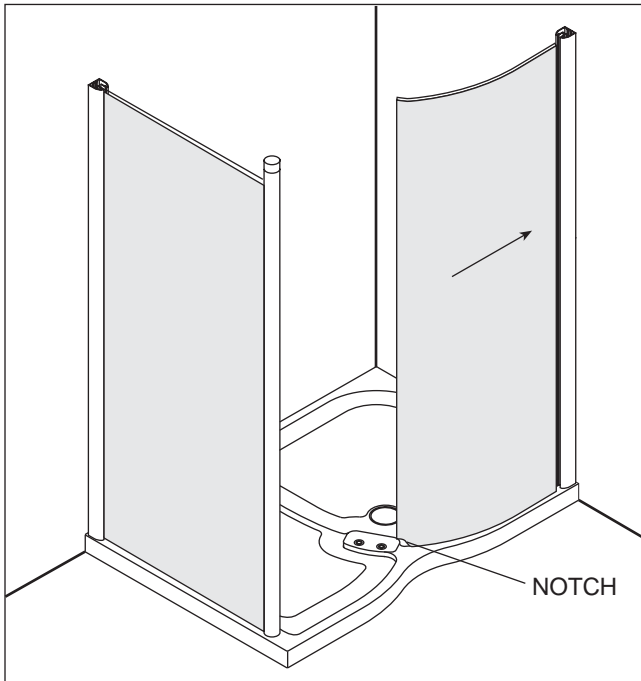
Apply a bead of silicone sealant on underside of bottom bracket corner post and place bracket where marked. Drill pilot holes (#8 screw) and secure bracket to base. Reinsert panel into wall post and position glass post over bracket.



## 2 WALL: TOWER, FIXED WALL AND CURVED GLASS INSTALLATION

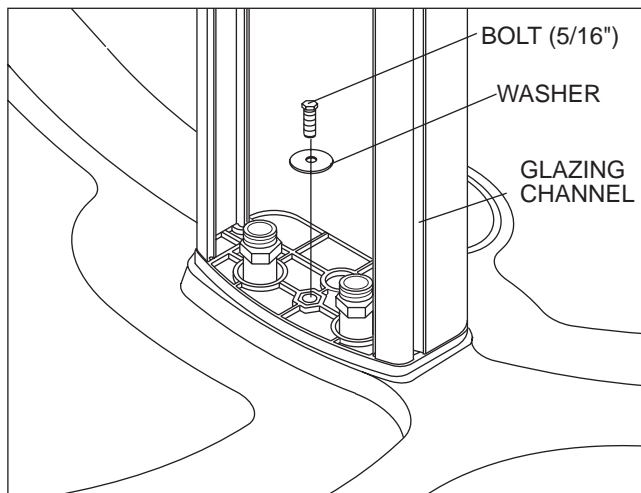
### STEP 4

Slide the glass panel into the wall post. Make sure that the corner notch is positioned toward the base of the tower.



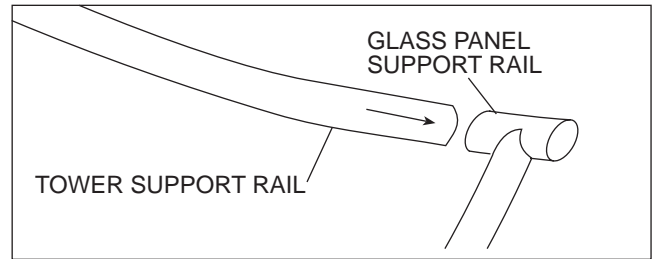
### STEP 5

Place the tower onto base. Ensure the curved glass locates into the glazing channel. Install bolt but do not tighten.



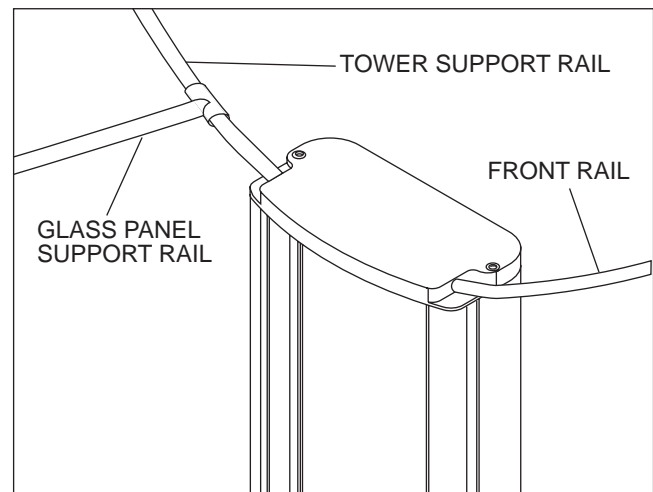
### STEP 6

Insert tower support rail into glass panel rail but do not tighten at this time.



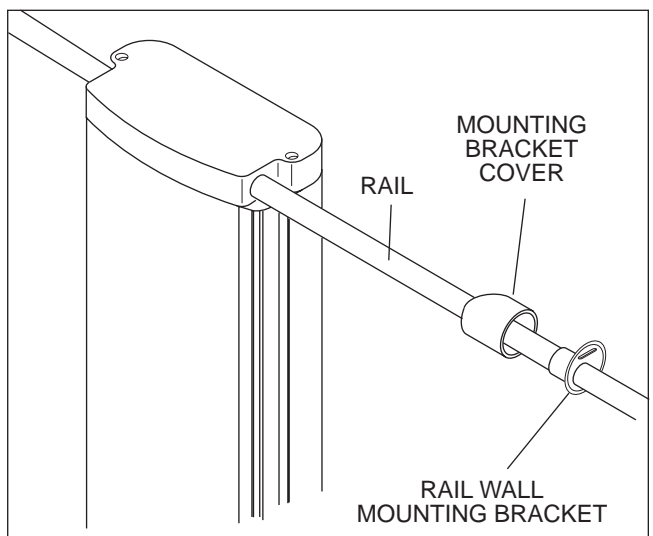
### STEP 7

Insert support rails into brackets in top moulding of tower but do not tighten at this time. Front and tower support rails may have to be cut if they are too long.



### STEP 8

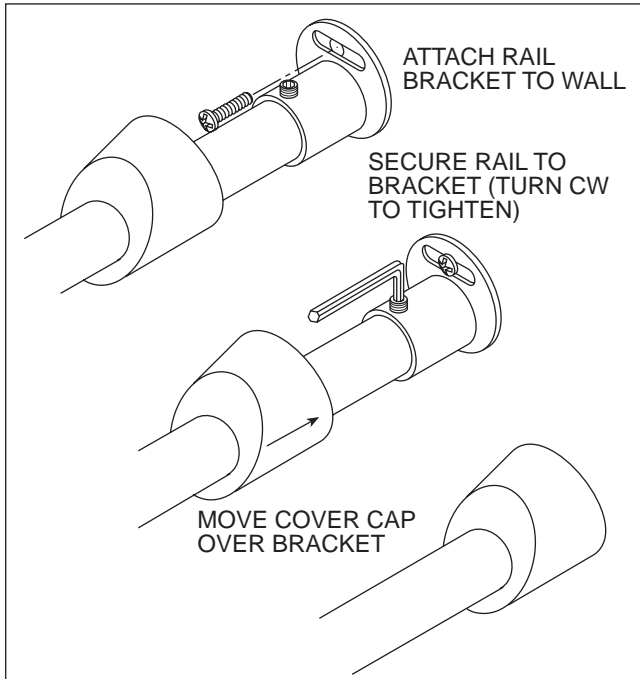
Slide mounting bracket covers and mounting brackets onto front rail and tower support rail.



## 2 WALL: TOWER, FIXED WALL AND CURVED GLASS INSTALLATION

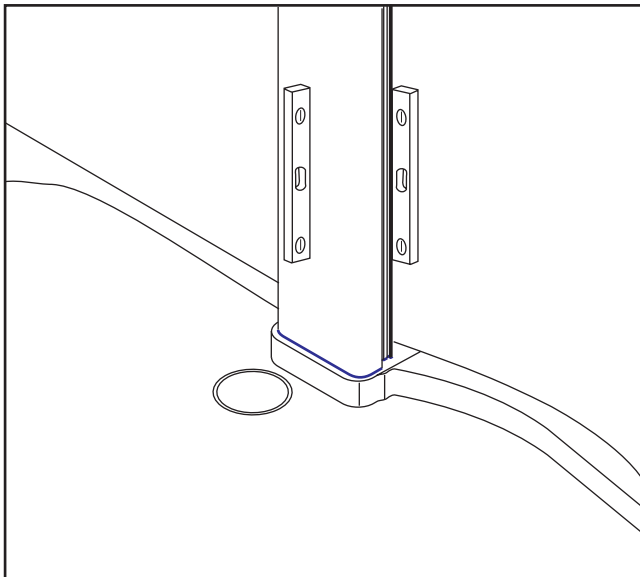
### STEP 9

Place the front rail and tower support rail against the walls. Check level and mark the position for the rail mounting bracket. The screw position will be above the rail. Drill the wall with a 3/16" bit and secure bracket with screws and wall anchors provided.



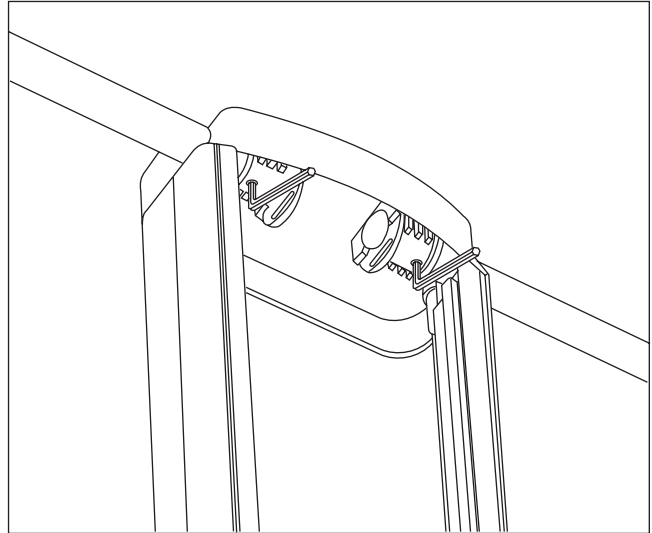
### STEP 10

Adjust the rails until tower is vertical in 2 planes.



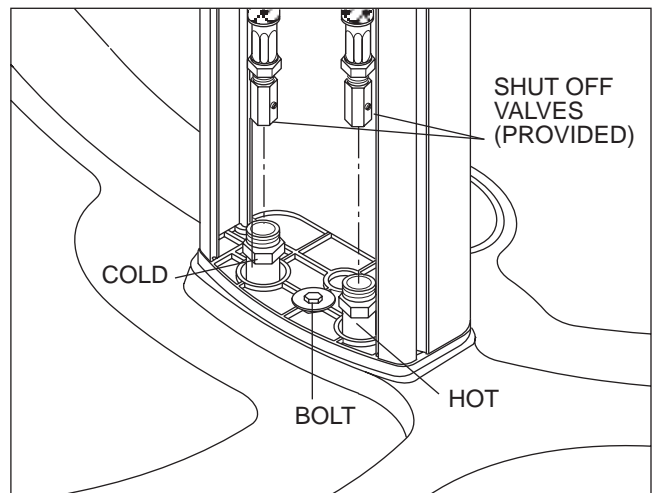
### STEP 11

Secure the rails.



### STEP 12

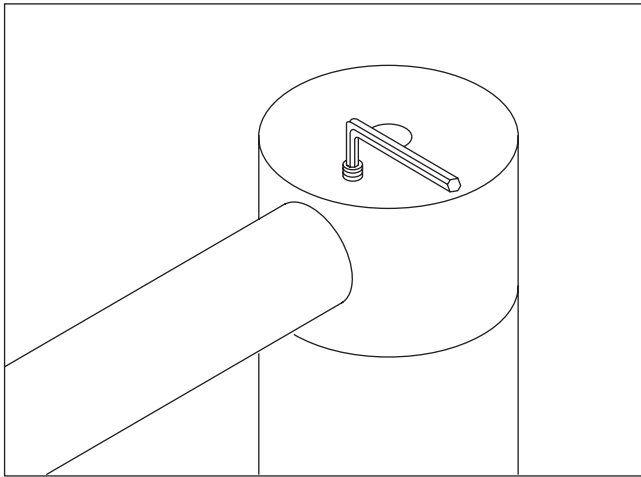
Tighten the tower base bolt. Two shut-off valves are provided. To hook up supply lines, unscrew valves from braided line. Using thread sealant, screw valve to stub outs at bottom of tower. Then reconnect braided line using provided gasket. Do not twist or kink supply lines when connecting.



## 2 WALL: TOWER, FIXED WALL AND CURVED GLASS INSTALLATION

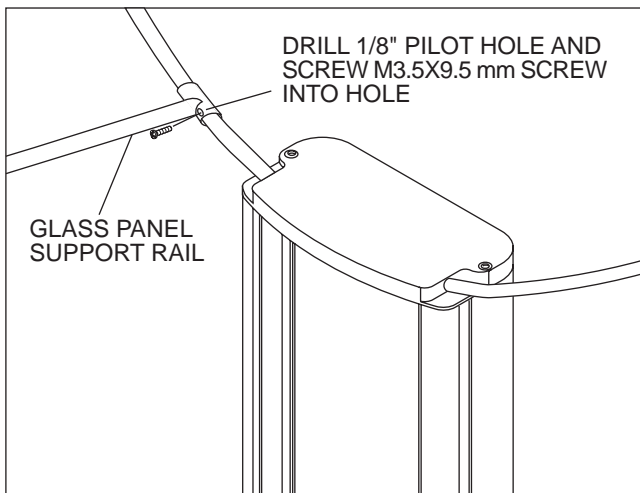
### STEP 13A

Insert fixed glass support rail into panel post and tighten set screw.



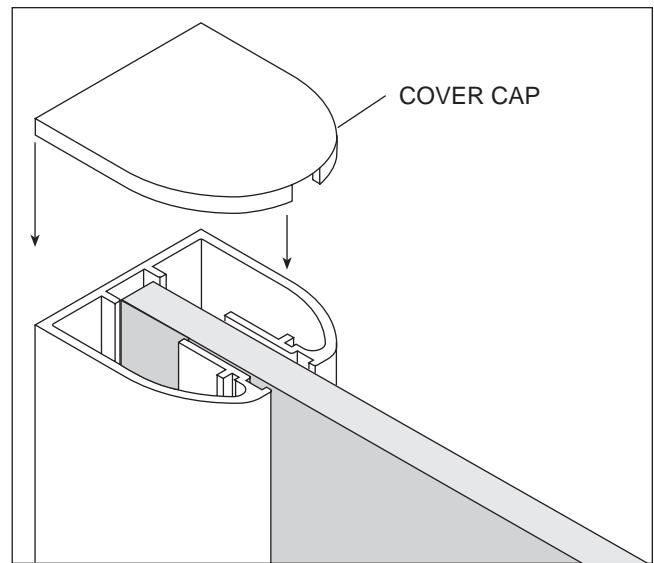
### STEP 13B

Drill a 1/8" pilot hole into tower support rail using the hole in the glass panel support rail. Screw M3.5X9.5 mm screw into hole.



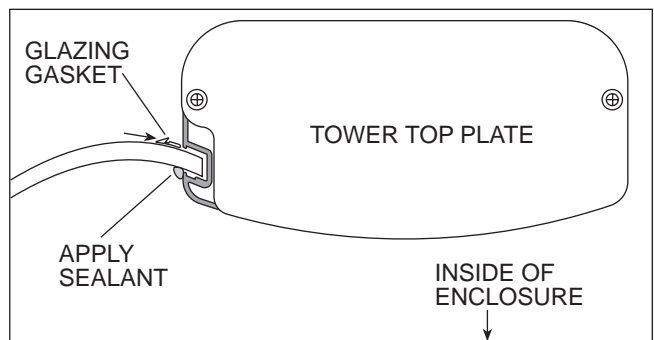
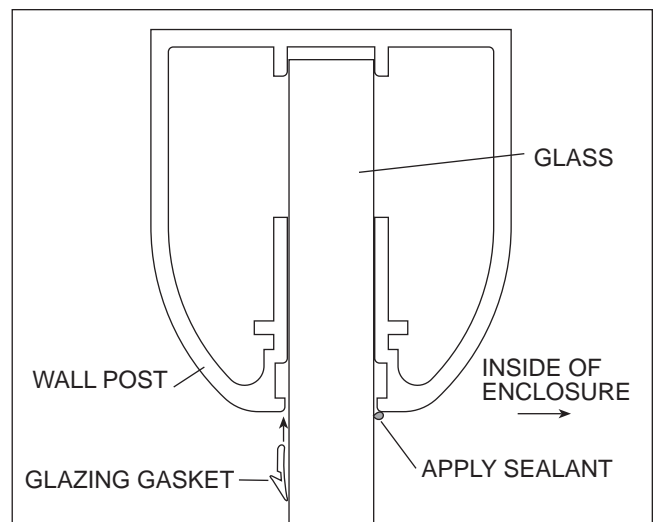
### STEP 14

Install cover cap on fixed glass wall post.



### STEP 15

Install glazing gasket on curved glass wall post on the outside. Note orientation of gasket. Soapy water may help to insert the glazing gasket. On the inside of enclosure, apply sealant the entire length of glass and wall post as well as the entire length of glass and tower.



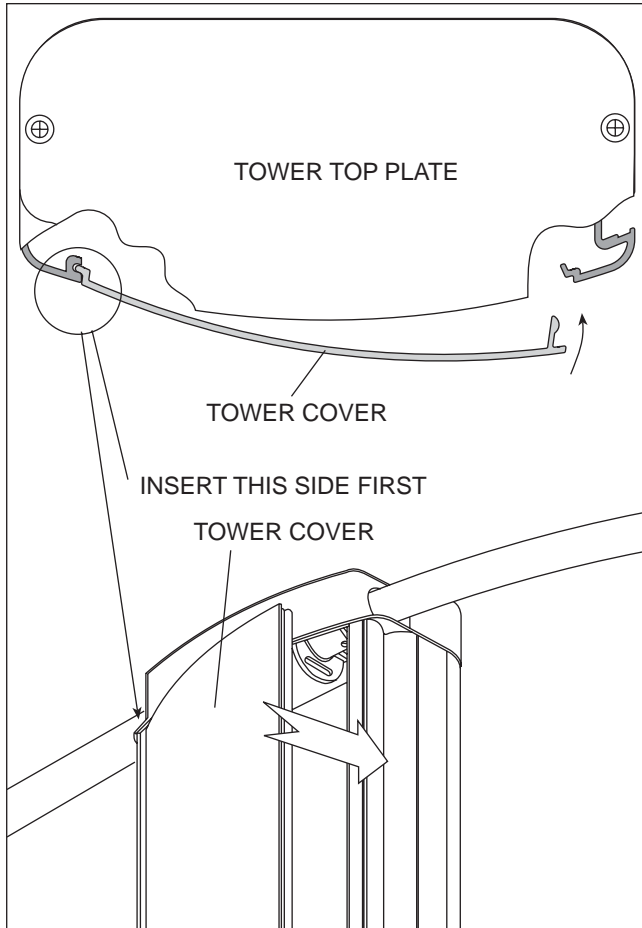
## 2 WALL: TOWER, FIXED WALL AND CURVED GLASS INSTALLATION

### STEP 16

Turn on water supply and check for leaks. Correct any leaks before installing tower cover.

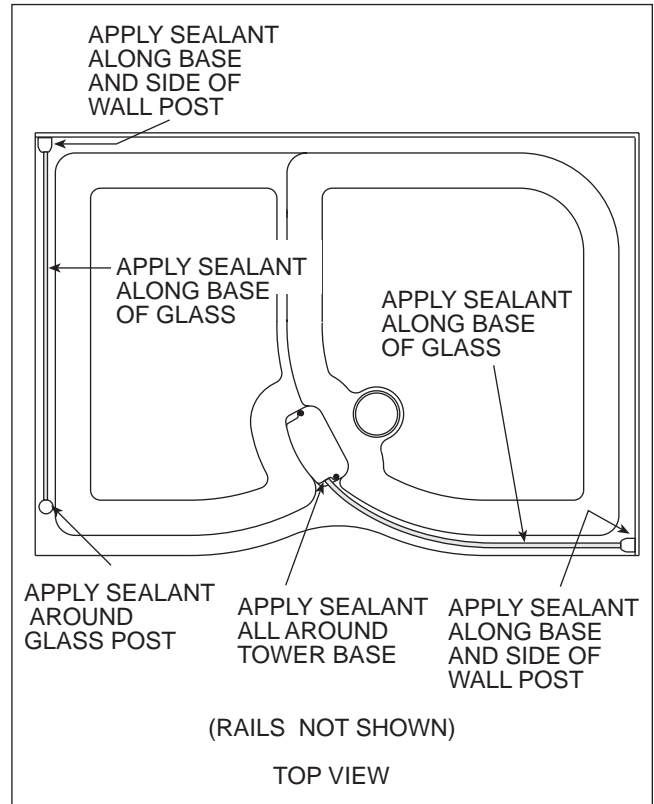
### STEP 17

Install tower cover as shown. Insert cover at top first.



### STEP 18

Seal all around the base of tower with silicone sealant. Also seal the inside of both wall posts, glass post and the bottom of both glass panels on the inside only.



### 3 WALL SPECIFICATIONS

#### Important: Read complete instructions before beginning installation.

Each unit arrives ready for installation, equipped with base, glass and associated hardware.

Remove the unit from the carton. Retain the shipping carton until satisfactory inspection of the product has been made.

Immediately upon receipt, inspect the base and other components before installing. Check all carton inserts for parts and hardware. Should inspection reveal any damage or defect in any component, do not install the unit. Damage or defect to any component claimed after the unit is installed is excluded from the warranty. Jacuzzi Whirlpool Bath's responsibility for shipping damage ceases upon delivery of the products in good order to the carrier. Refer any claims for damage to the carrier. For definitions of warranty coverage and limitations, refer to the published warranty information packed with the product.

Jacuzzi Whirlpool Bath is not responsible for any defect that could have been discovered, repaired, or avoided by following this inspection.

#### BASE SPECIFICATIONS

##### DIMENSIONS

60" (1219 mm) L  
42-5/16" (1075 mm) W  
4" (102 mm) H

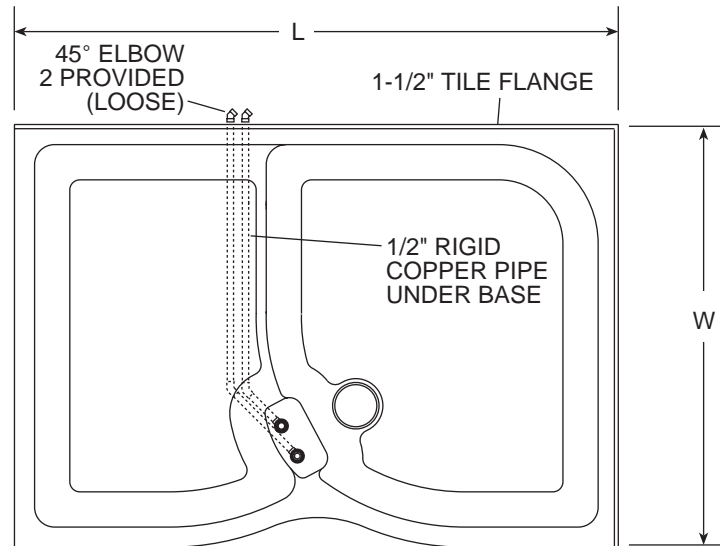
##### PRODUCT WEIGHT (Base + Enclosure )

140 lb  
(64 kg)

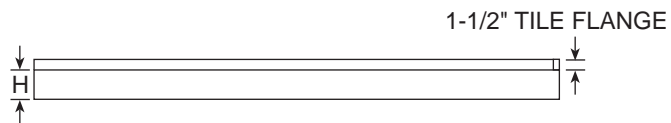
##### TOTAL WEIGHT/ FLOOR LOADING

340 lb  
(155 kg)/  
23 lb/sq. ft.  
(97 kg/sq. m)

**NOTE: MINIMUM WATER PRESSURE  
FOR THE SYSTEM IS 40 PSI.**

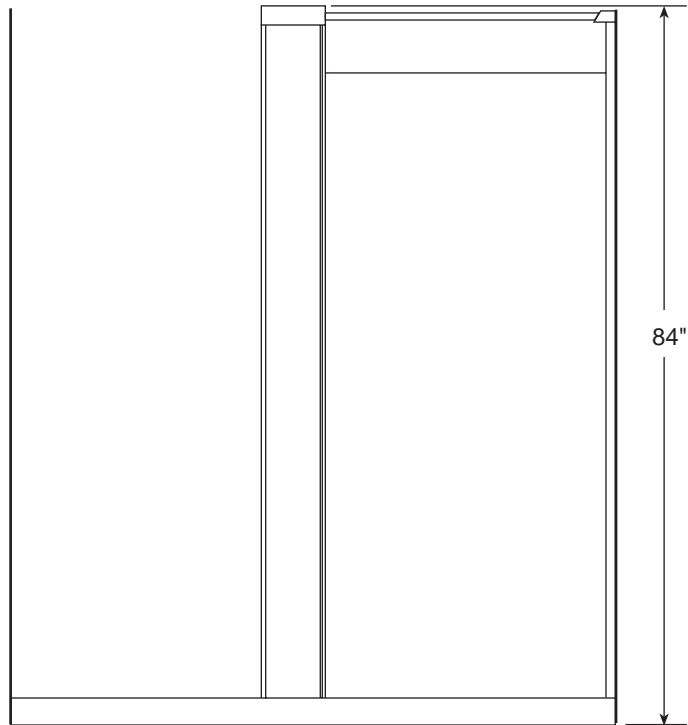


TOP VIEW

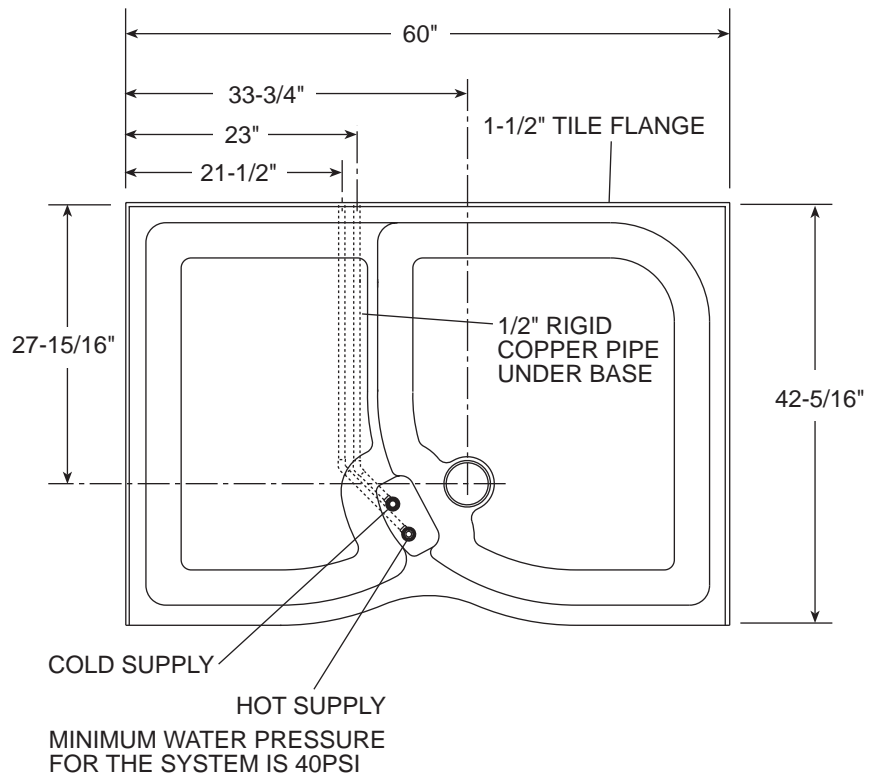


FRONT VIEW

### 3 WALL ROUGH-IN REFERENCE



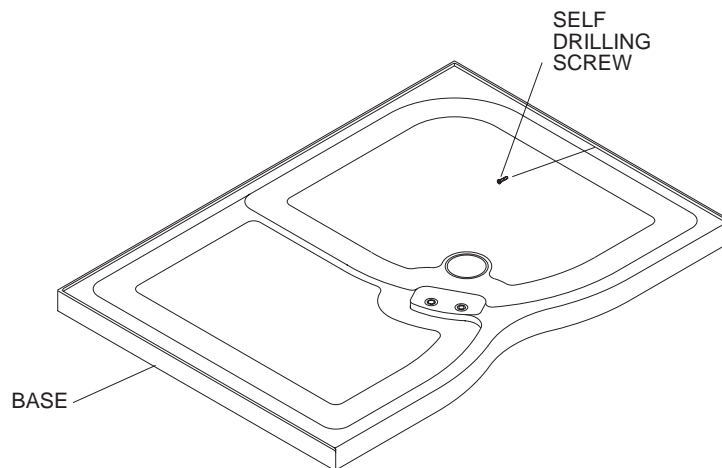
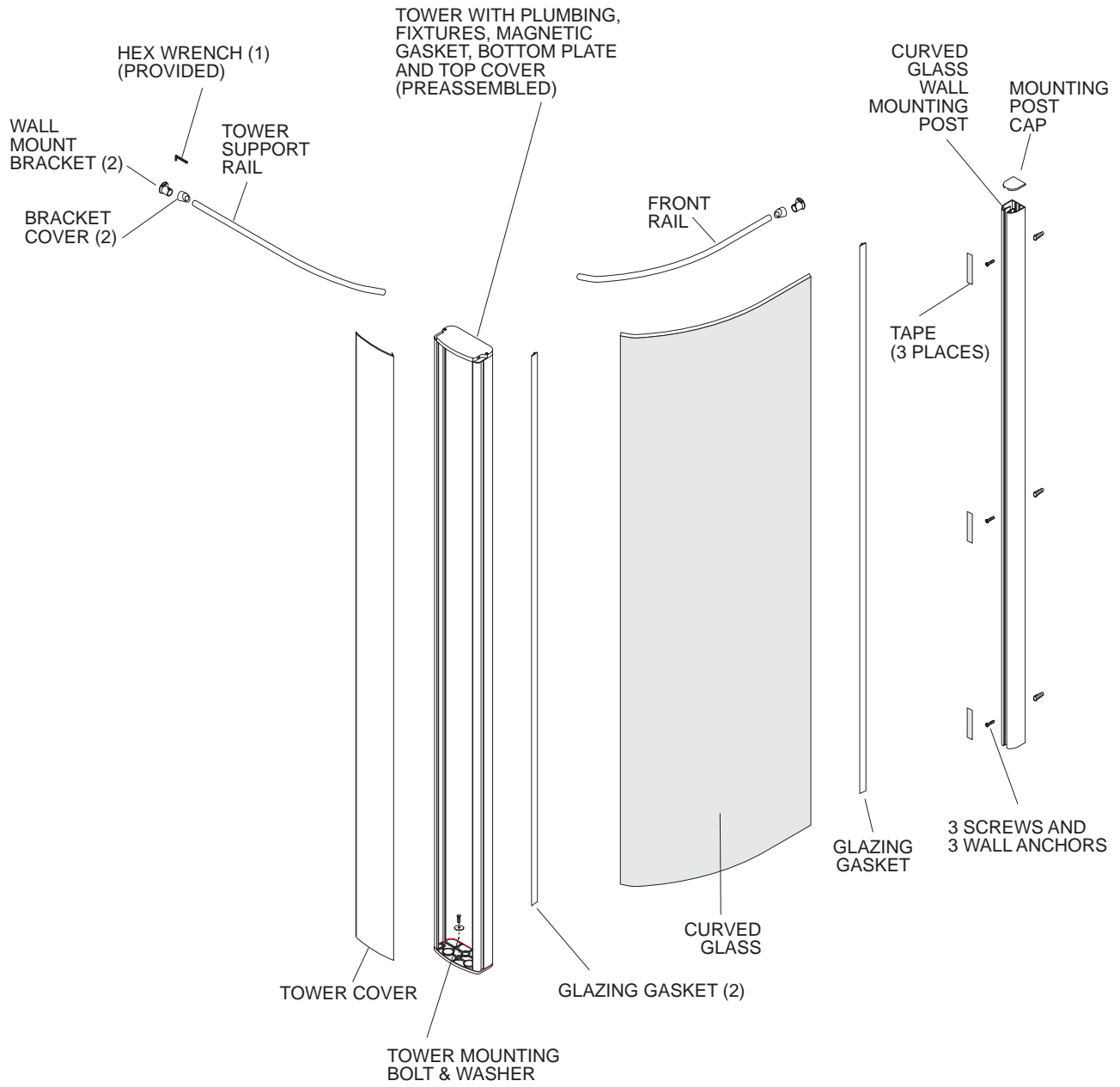
FRONT VIEW



TOP VIEW



# 3 WALL COMPONENT IDENTIFICATION



## 3 WALL BASE INSTALLATION

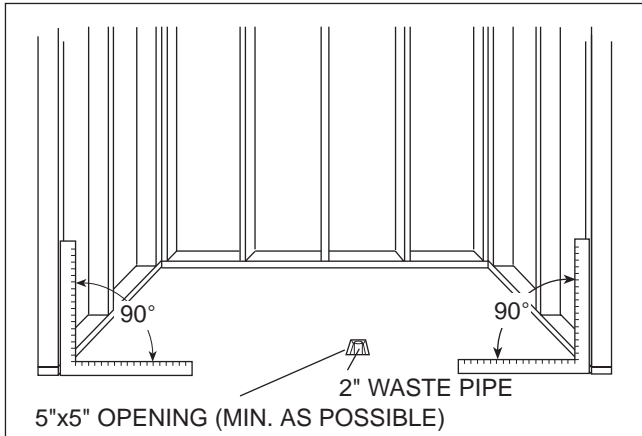
### PRELIMINARY ROUGH-IN

The floor structure beneath the unit must be able to support a total weight of the unit and bather. Refer to the table under total weight.

#### STEP 1

Provide an opening in the subfloor no less than 5" x 5" square. This opening should be located on the center lines of the shower base drain hole (See Product Chart).

The opening is to accommodate a 2" waste pipe. The waste pipe should be 1/4" to 1/2" above the surface of the subfloor.

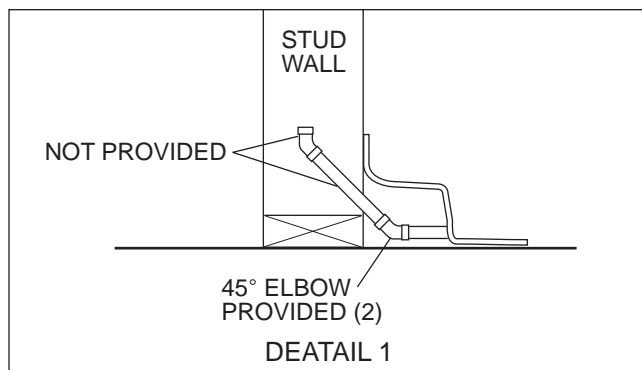


As shown in top view, 1/2" copper pipes are provided to connect to the water supply. Also provided are 2 loose 45° elbows as shown for installation in Detail 1.

**CAUTION: A nonflammable protective barrier must be placed between soldering work and base unit to prevent damage to the base.**

When connecting the supply lines, the toe plate can be notched to accommodate the pipes.

The pipe under the base can be cut to length. To do so, remove the pipe clamps under the base, cut the pipe and reinstall pipes.

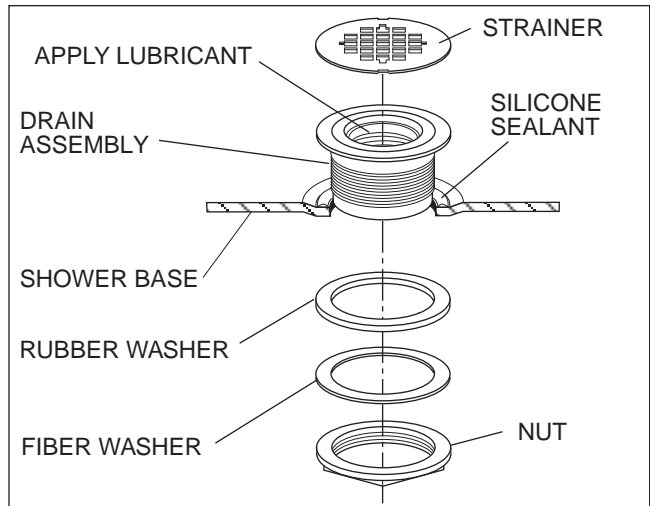


### INSTALLATION INSTRUCTIONS

#### STEP 2

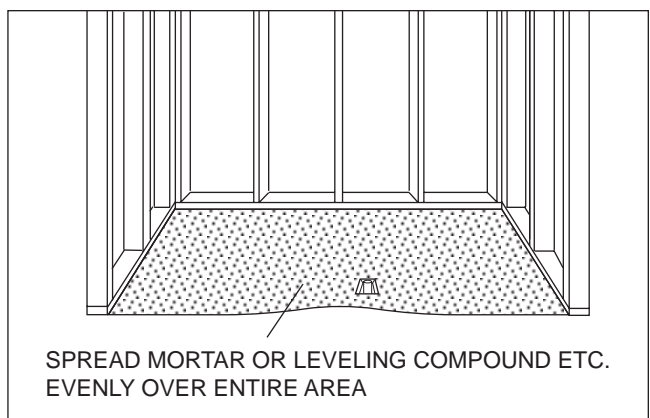
Remove the stainless steel strainer from the drain assembly. Disassemble the locknut and two gaskets from the back of the drain assembly. Apply a 1/4" bead of caulking (silicone) to the drain hole and insert the drain assembly. Replace the rubber washer, fiber washer, and lock nut in that order. Hand tighten the locknut. Remove excess sealant from finished side.

Apply a lubricant (common household liquid soap works well) to the inside of the rubber seal of the drain assembly.



#### STEP 3

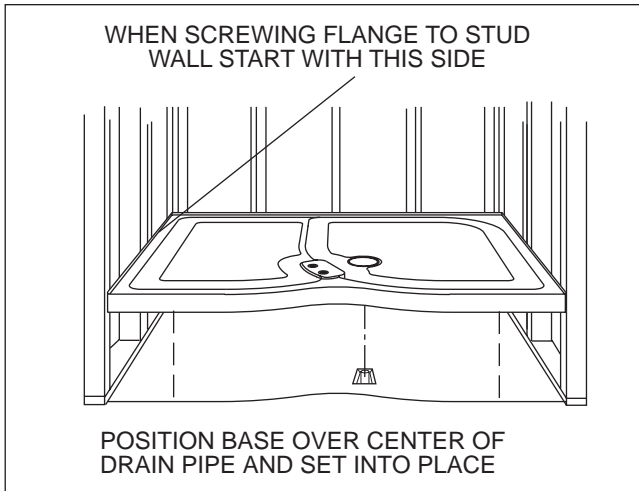
If the subfloor is level, no other preparation is necessary. You can proceed to install the shower base. If the subfloor is not level, level shower base by spreading floor leveling compound, mortar, plaster or minimal expansion structural foam with a minimum density of 5 lbs./cubic feet **EVENLY** over **ENTIRE** area where base will be installed. The compound used **MUST** make contact with the entire bottom surface of the base. Both sides of a joint or splice of subfloor should be level to each other. Level and support waste pipe cutout area greater than 5" x 5". The base is **NOT** to be supported by the tile flange.



### 3 WALL BASE INSTALLATION

#### STEP 4

With the drain fitting passing over the center of the drainpipe, lower the shower base carefully into place, push down firmly until the base is in place. You **must** check the level of the base in two directions. Do **not** lift a corner to level the base. This will cause a loss of contact with the mortar. Attach the shower base flange to the stud wall and blocking with self-drilling screws (included). Use a minimum of 3 screws per flange section.

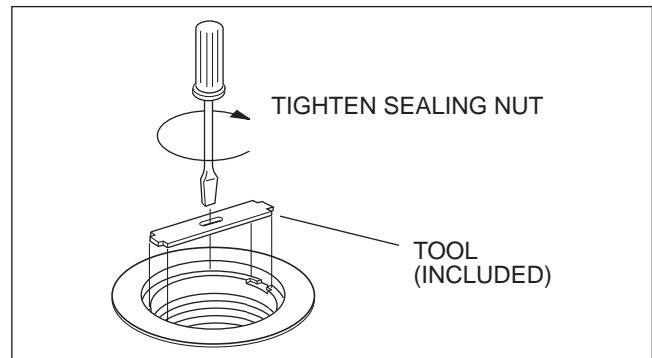


#### STEP 5

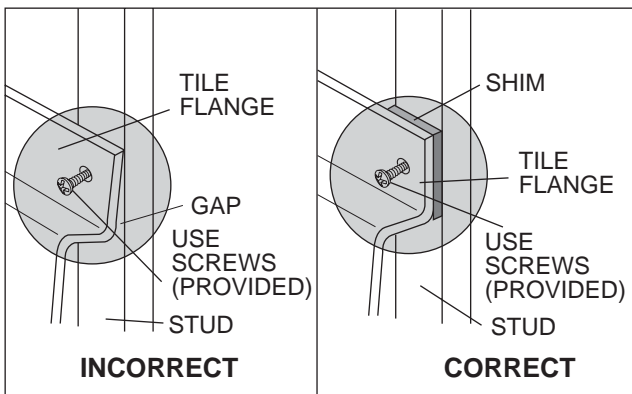
With a large screwdriver and the tool included with the drain, tighten the inside compression nut to seal the drain pipe connection. After drain is fully installed, test for proper drainage. If the shower base does not drain properly, rectify this condition before proceeding with the installation. **Jacuzzi Whirlpool Bath is not responsible for removal and/ or reinstallation costs.**

**NOTE: Watertight installation of the drain is the installer's responsibility. Drain leakage is excluded from the Jacuzzi Whirlpool Bath warranty.**

Replace the strainer and tape over the drain hole to prevent finishing material from entering drain.



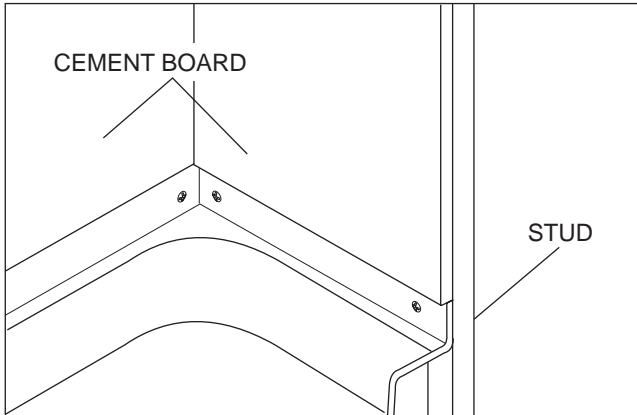
**NOTE: If there is any gap between base flange and stud or blocking, shims MUST be used to prevent distortion or cracking of the flange.**



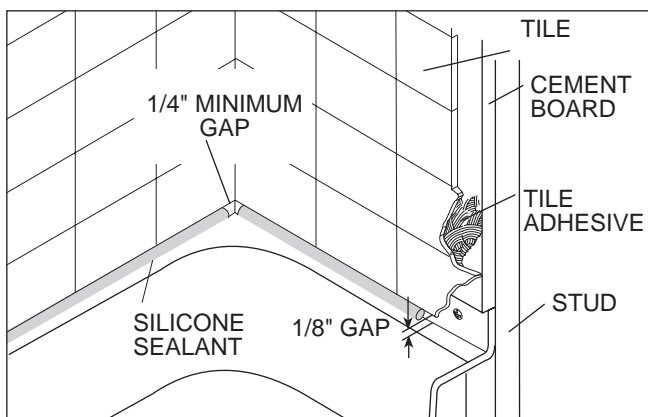
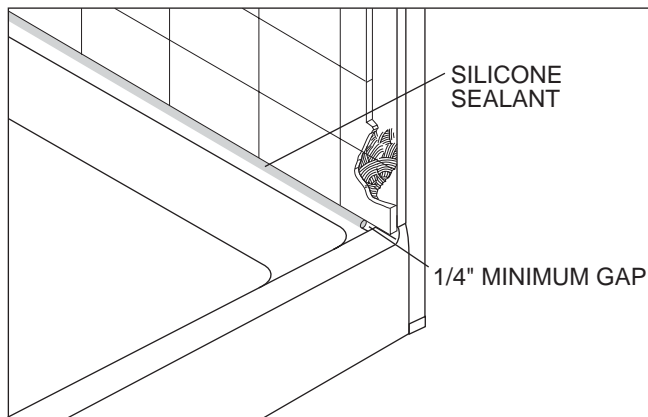
### 3 WALL BASE INSTALLATION

#### STEP 6

With the drain fitting passing over the center of the drainpipe, lower the shower base carefully into place, push down firmly until the base is in place. You **must** check the level of the base in two directions. Do **not** lift a corner to level the base. This will cause a loss of contact with the mortar. Attach the shower base flange to the stud wall and blocking with self-drilling screws (included). Use a minimum of 3 screws per flange section.



**NOTE:** If there is any gap between base flange and stud or blocking, shims **MUST** be used to prevent distortion or cracking of the flange.

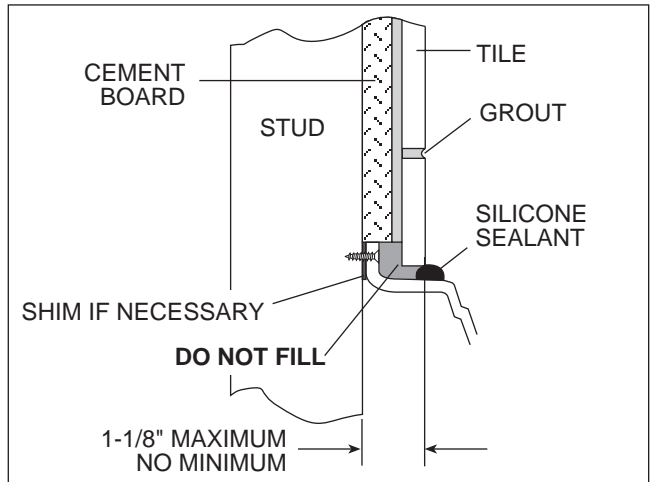


#### STEP 7

With a large screwdriver and the tool included with the drain, tighten the inside compression nut to seal the drain pipe connection. After drain is fully installed, test for proper drainage. If the shower base does not drain properly, rectify this condition before proceeding with the installation. **Jacuzzi Whirlpool Bath is not responsible for removal and/ or reinstallation costs.**

**NOTE:** Watertight installation of the drain is the installer's responsibility. Drain leakage is excluded from the Jacuzzi Whirlpool Bath warranty.

Replace the strainer and tape over the drain hole to prevent finishing material from entering drain.



#### CLEAN-UP AFTER INSTALLATION

To avoid dulling and scratching the acrylic surface of the base, never use abrasive cleaners. A mild liquid detergent and warm water clean soiled surfaces.

Remove spilled plaster with a wood or plastic edge. Metal tools scratch the surface. Spots left by plaster or grout can be removed if lightly rubbed with detergent on a damp cloth or sponge.

Paint, tar, or other difficult stains can be removed with paint thinner, turpentine, or isopropyl alcohol (rubbing alcohol).

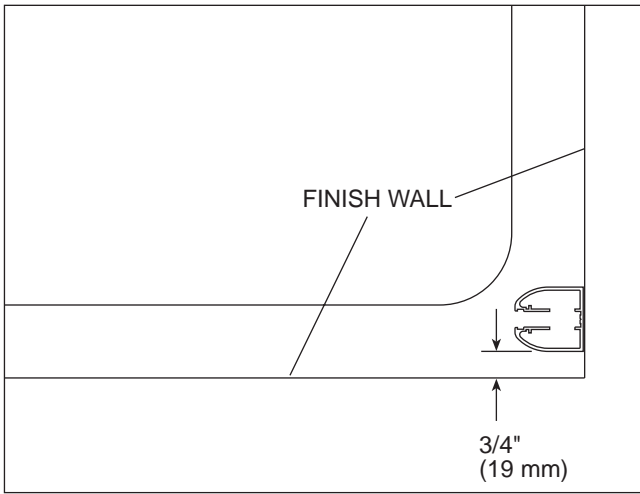
Minor scratches which do not penetrate the color finish can be removed by lightly sanding with 600-grit wet/dry sandpaper. You can restore the glossy finish to the acrylic surface of the base with a special compound, Meguiar's #10 Mirror Glaze. If not available, use automotive rubbing compound followed by an application of automotive paste wax.

Major scratches and gouges which penetrate the acrylic surface require refinishing. Ask your Jacuzzi Whirlpool Bath dealer for special instructions.

## 3 WALL: TOWER AND CURVED GLASS INSTALLATION

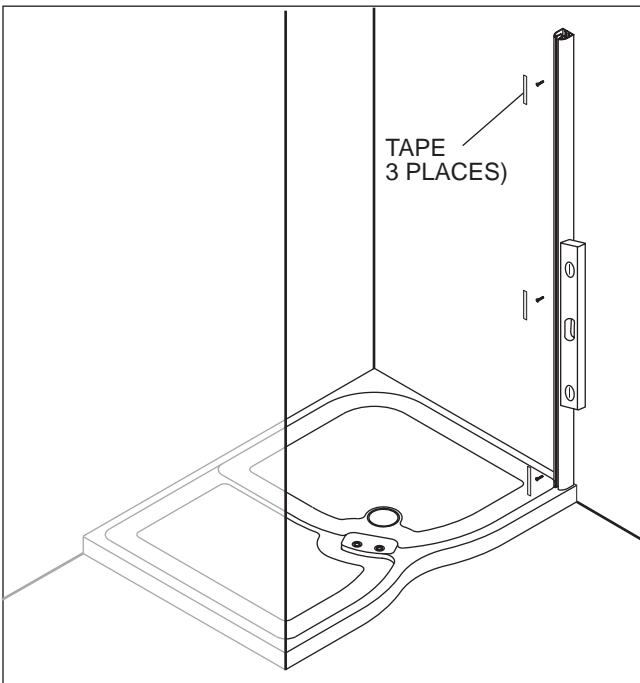
### STEP 1

Position the wall post so the edge of the post is set back 3/4" (19 mm) in from the finish wall.



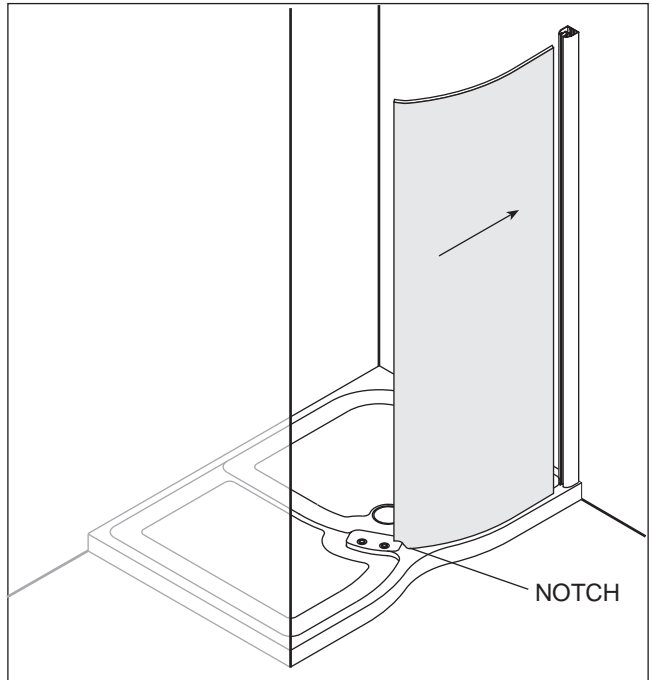
### STEP 2

Level the post in its proper position and mark where screw holes are to be drilled. Drill 3/16" holes and secure with wall anchors and screws provided. Cut a 12" strip of tape (provided) and apply firmly over screw heads.



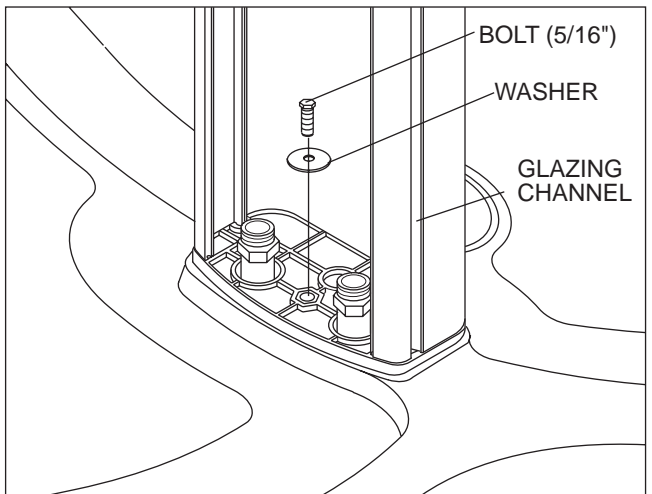
### STEP 3

Slide the glass panel into the wall post. Make sure that the corner notch is positioned toward the base of the tower.



### STEP 4

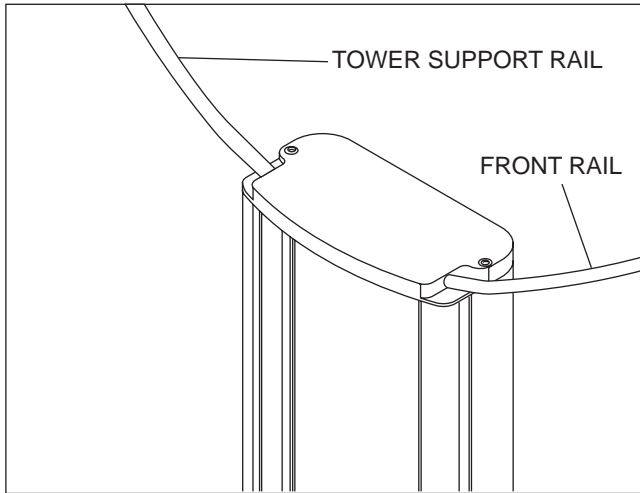
Place the tower onto base. Ensure the curved glass locates into the glazing channel. Install bolt but do not tighten.



### 3 WALL: TOWER AND CURVED GLASS INSTALLATION

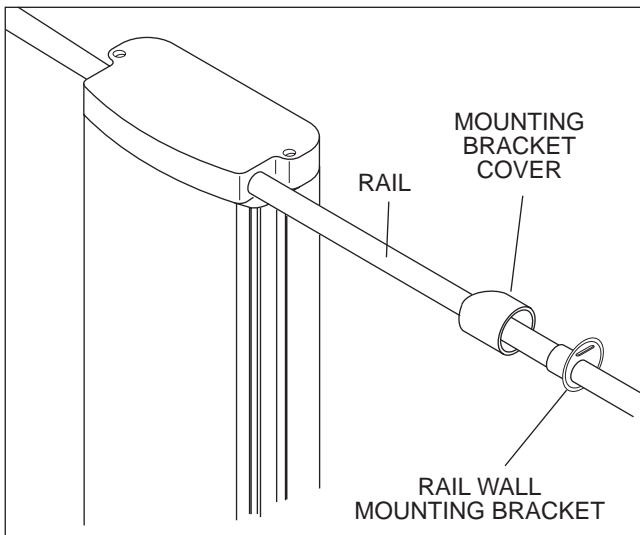
#### STEP 5

Insert support rails into brackets in top moulding of tower but do not tighten at this time.



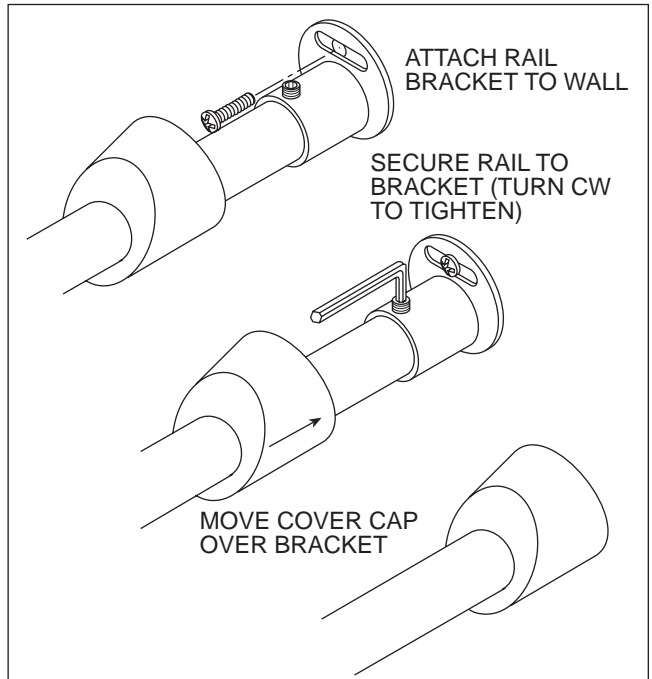
#### STEP 6

Slide mounting bracket covers and mounting brackets onto front rail and tower support rail.



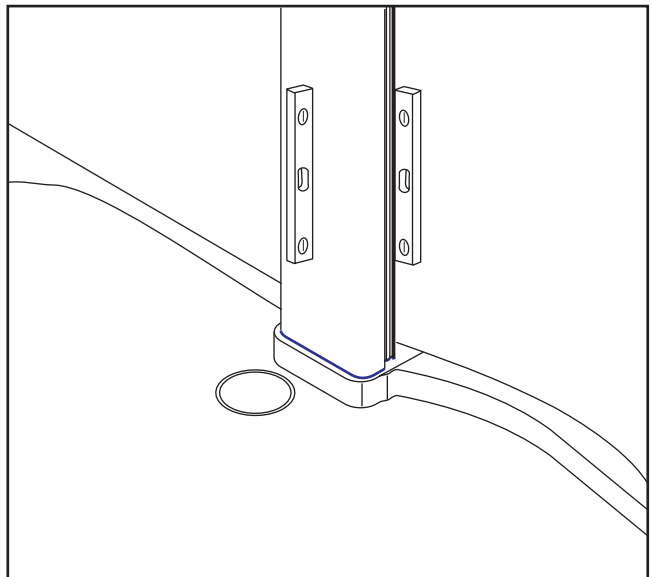
#### STEP 7

Place the front rail and tower support rail against the walls. Check level and mark the position for the rail mounting bracket. The screw position will be above the rail. Drill the wall with a 3/16" bit and secure bracket with screws and wall anchors provided.



#### STEP 8

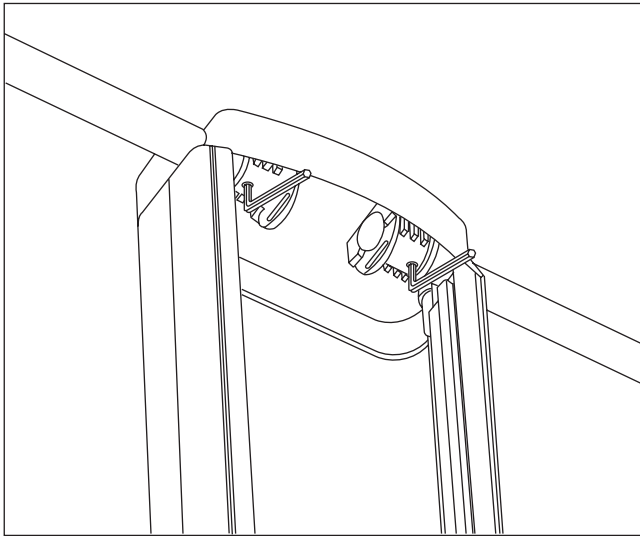
Adjust the rails until tower is vertical in 2 planes.



### 3 WALL: TOWER AND CURVED GLASS INSTALLATION

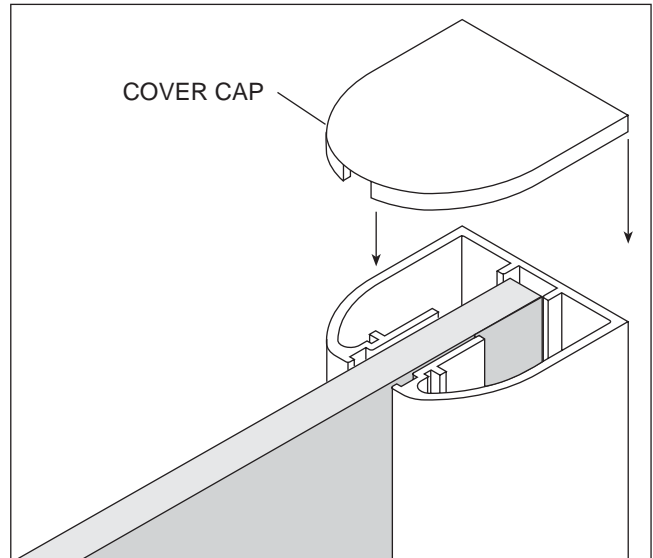
#### STEP 9

Secure the rails.



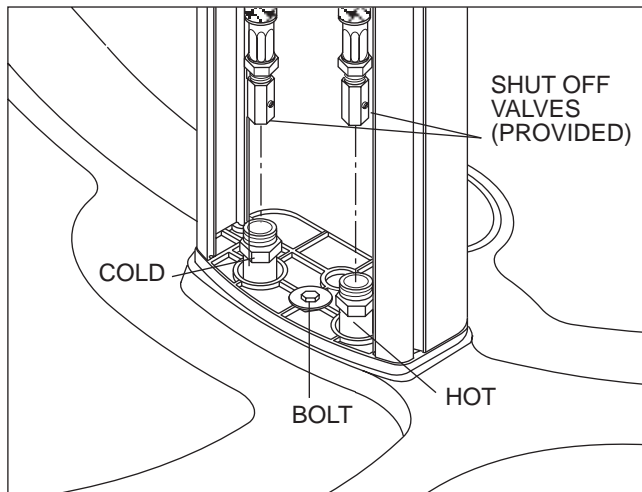
#### STEP 11

Install cover cap on wall post.



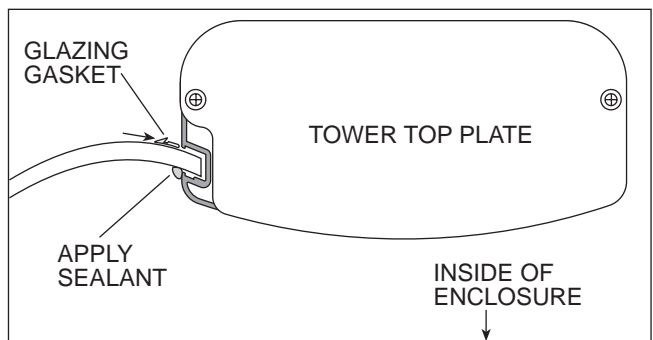
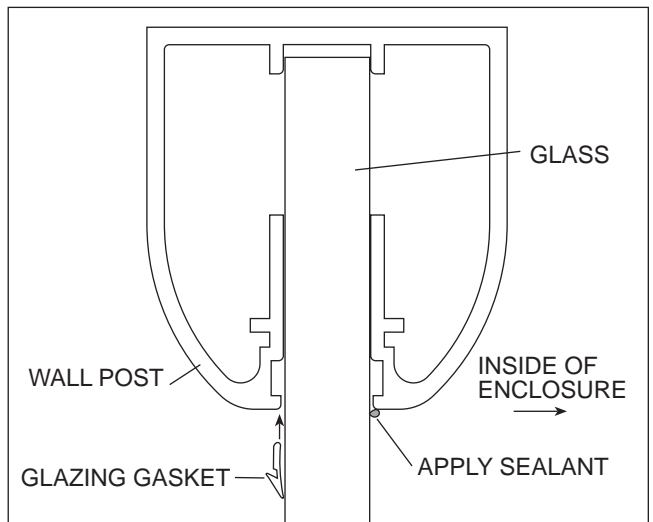
#### STEP 10

Tighten the tower base bolt. Two shut-off valves are provided. To hook up supply lines, unscrew valves from braided line. Using thread sealant, screw valve to stub outs at bottom of tower. Then reconnect braided line using provided gasket. Do not twist or kink supply lines when connecting.



#### STEP 12

Install glazing gasket on curved glass wall post on the outside. Note orientation of gasket. Soapy water may help to insert the glazing gasket. On the inside of enclosure, apply sealant the entire length of glass and wall post as well as the entire length of glass and tower.



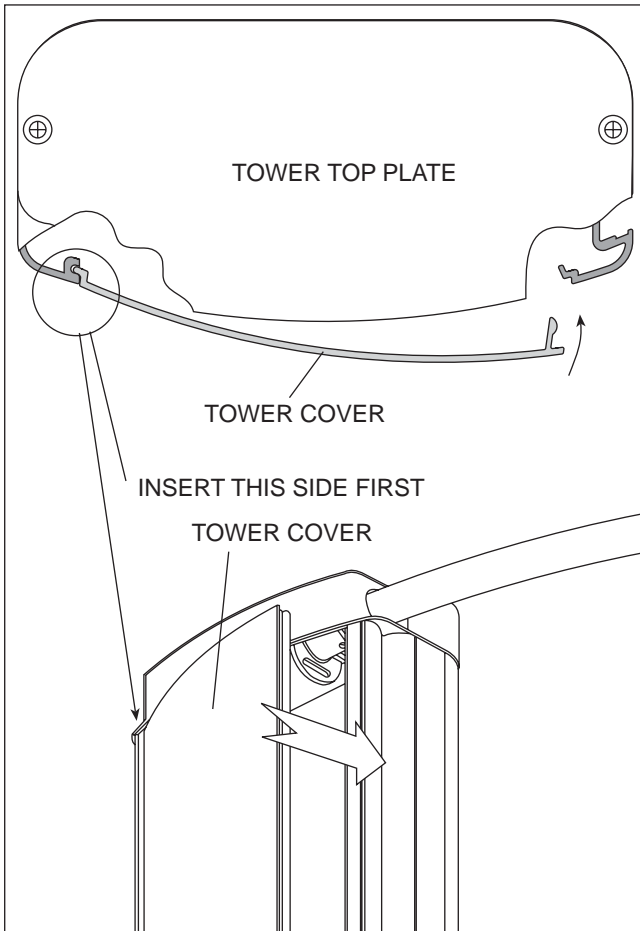
### 3 WALL: TOWER AND CURVED GLASS INSTALLATION

#### STEP 13

Turn on water supply and check for leaks. Correct any leaks before installing tower cover.

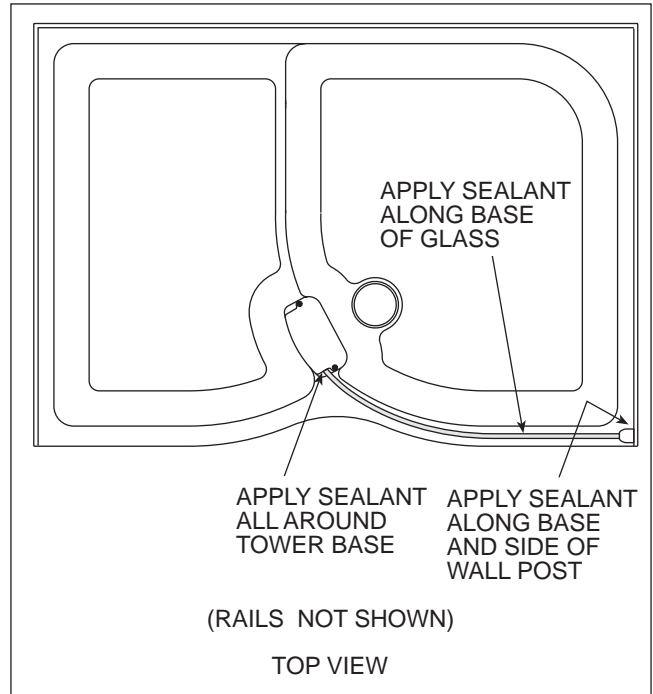
#### STEP 14

Install tower cover as shown. Insert cover at top first.



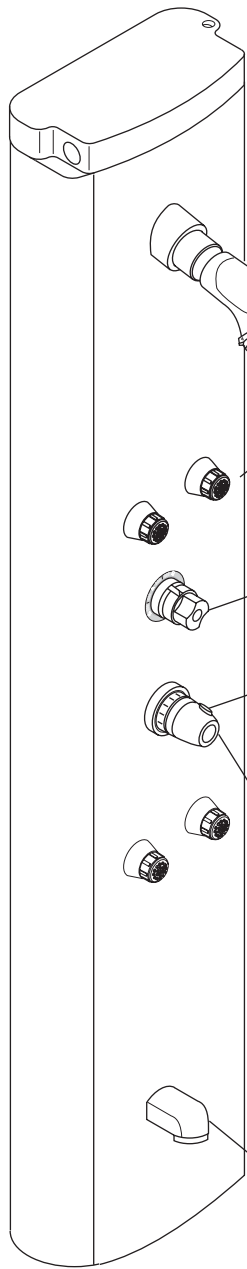
#### STEP 15

Seal all around the base of tower with silicone sealant. Also seal the inside of both wall posts, bottom of both glass panels on the inside only.





## 2 & 3 WALL OPERATION

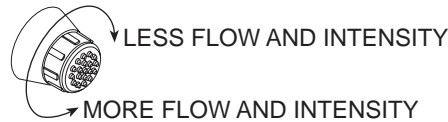


### Shower Head

There are four selectable positions: Jet, normal pulsating and aerated flow.

### Body Sprays (2 Upper & 2 Lower)

To adjust the flow and intensity, turn as shown. The spray can also be turned to change the direction of the spray.

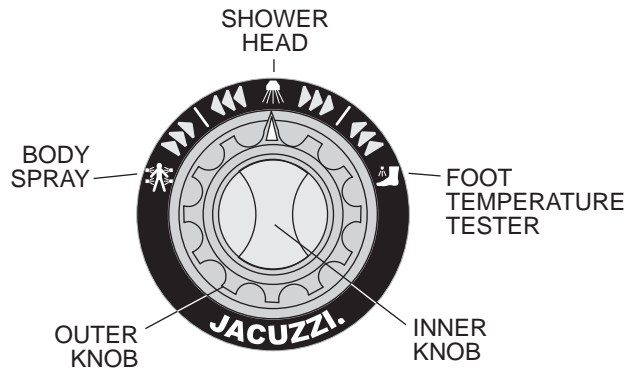


### Diverter Control

To turn On water, turn the inner knob clockwise and adjust for more or less flow.

The outer knob will divert the water to body sprays, shower head (shown in this position) and foot temperature tester. If the knob is pointing anywhere between main functions, the amount of water will be proportional to where the knob is pointing. If the knob is pointing to the white line between positions, the water will be diverted equally to both functions on either side of the white line.

STOP RELEASE



### Temperature Valve

The temperature of the mixed water is adjusted by means of the graduated handle. This handle has a safety stop set at 100°F (38°C). To increase the temperature, press the red button to release the stop and keep turning the handle.

### Foot Temperature Testor

## 2 & 3 WALL MAINTENANCE

To remove any lime scale from the shower head and body sprays, rub with your finger the outer ring of nozzles on the shower head and all nozzles on the body spray.

To clean the foot temperature tester, unscrew the nozzle and back flush the wire mesh filter. Do not use metal tools (such as scissors or screwdrivers, etc.) to clean the body sprays, shower head or foot temperature tester.

To clean the base, simply use a mild, nonabrasive liquid detergent solution. You can protect and restore the gloss to a dulled acrylic surface by applying Meguiar's #10 Mirror Glaze, a product specifically designed for use on acrylic finishes. If Meguiar's is not available, an acrylic polish of equal quality or automotive paste wax is acceptable.

The glass can be cleaned with any glass-cleaning product available on the market.

**Do not use abrasives, alcohol, acetone, ammonia or other solvents on any tower component.**

The thermostatic valve has 2 screen filters that should be cleaned periodically. To remove the filters turn off hot and cold supplies. Remove tower cover. Disconnect the supply hoses from the valve and remove filter from the hose. Clean any debris. Reinstallation is the reverse of removal. Turn on hot and cold supply and check for leaks.

## Authorized Service

If you need a referral for a service company near you, or need assistance with operation or maintenance related questions, please call our Service Support Department at 1-800-288-4002. For service agent listing, visit our web site at <http://www.jacuzzi.com/>. To find the service agent listings, click on "For The Trade". Then click on Electrical/Mechanical Service Agents. Depending on the problem, click on "Electrical/Mechanical Repairs" or "Finish, Surface or Shell-Related Problems".

---

**PRODUCT SPECIFICATIONS ARE SUBJECT TO CHANGE WITHOUT NOTICE.  
USE INSTALLATION INSTRUCTIONS SUPPLIED WITH PRODUCT.**

Jacuzzi Whirlpool Bath has obtained applicable code (standards) listings generally available on a national basis for products of this type. It is the responsibility of the installer/owner to determine specific local code compliance prior to installation of the product. Jacuzzi Whirlpool Bath makes no representation or warranty regarding, and will not be responsible for any code compliance.

---

### Jacuzzi Whirlpool Bath

P.O. Box 702168, Dallas, TX 75370-2168

**Service Support:** Call (800) 288-4002

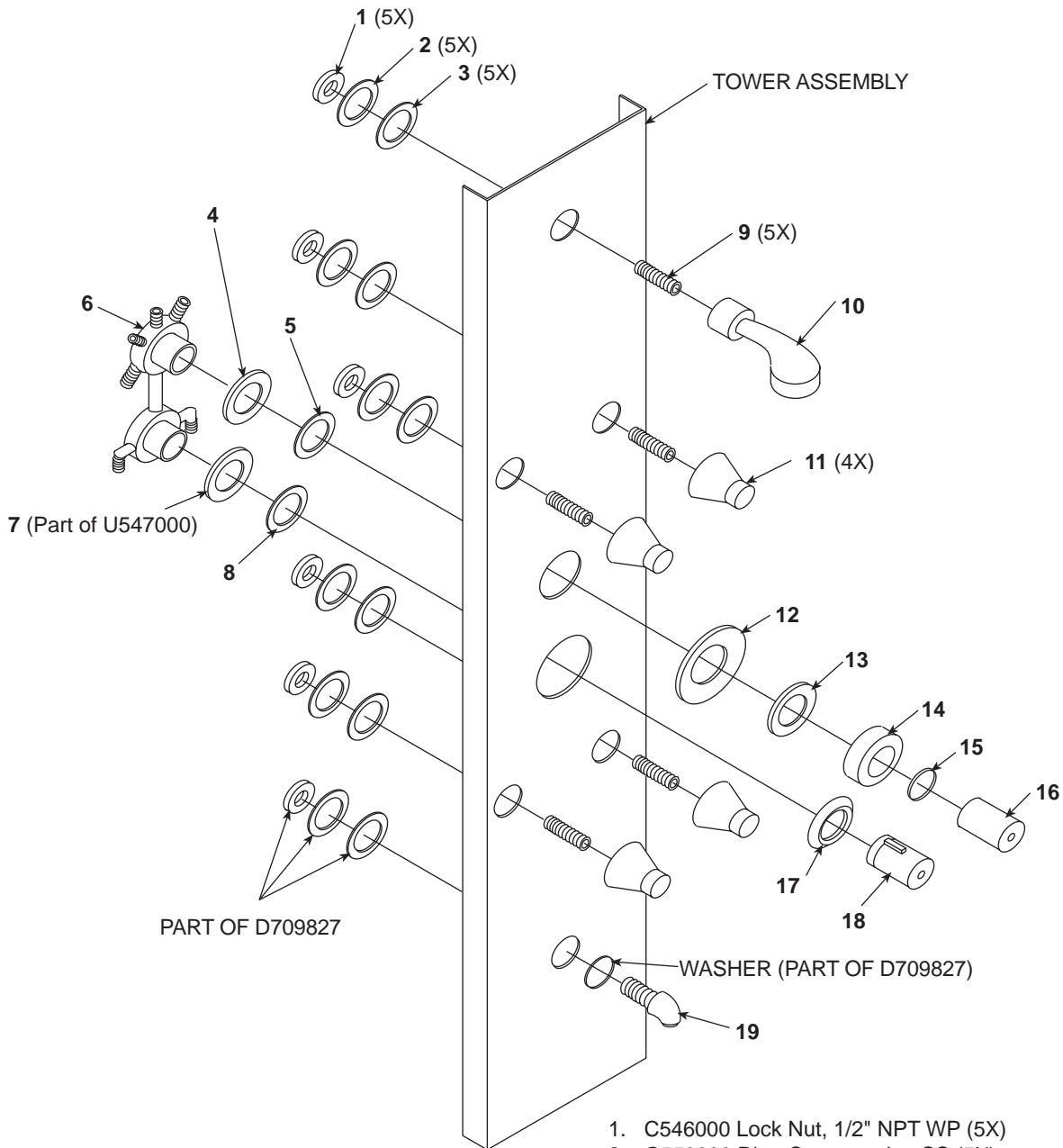


Printed on Recycled Paper

© 2002 Jacuzzi Whirlpool Bath U223000 8/13/04

Printed in U.S.A.

# TOWER FIXTURES REPAIR PARTS



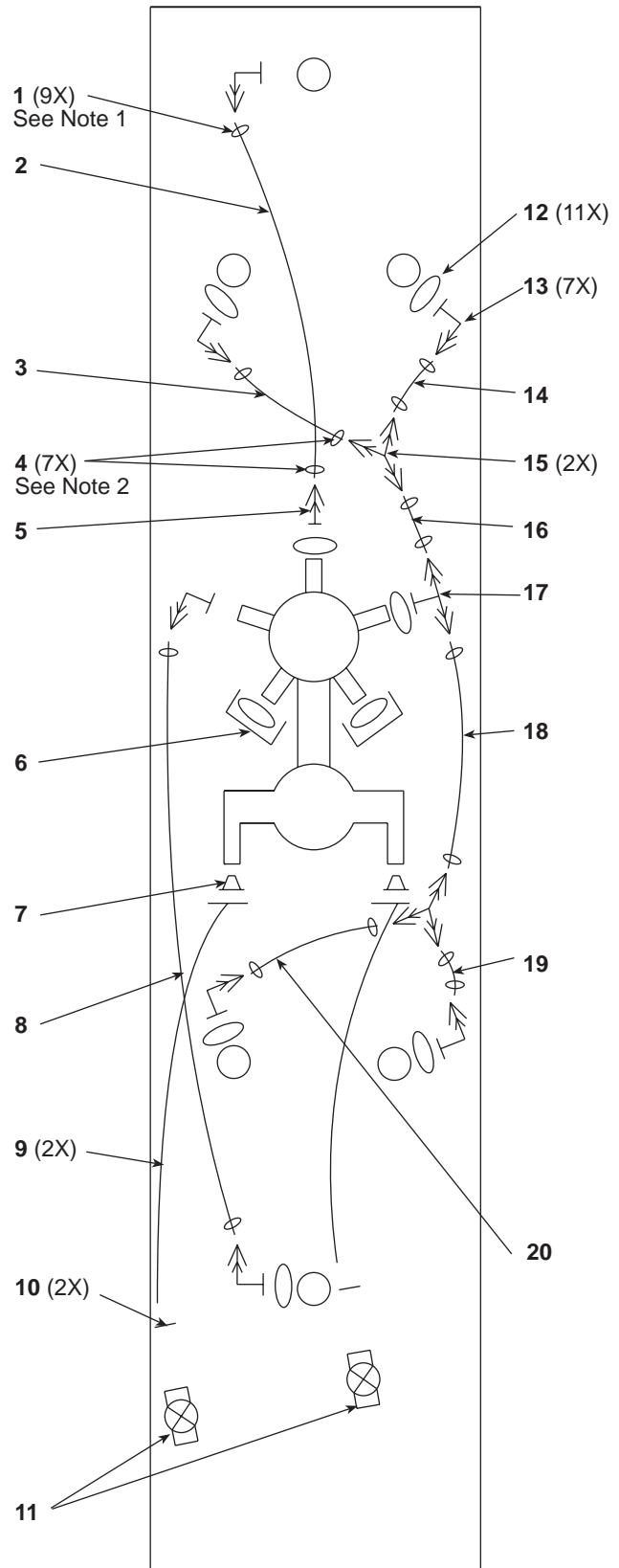
1. C546000 Lock Nut, 1/2" NPT WP (5X)
2. G559000 Ring Compression SS (5X)
3. G560000 Washer Rubber (5X)
4. U546000 (Part of U547000) Nut Transfer Valve, Chrome
5. U566000 Gasket, 1.41 ID X .063 Thick
6. U547000 Valve, Mixer/Transfer Assembly
7. U550827 (Part of U547000) 567000Nut, Mixer Valve, Chrome
8. U567000 Gasket, 1.9 ID X .063 Thick
9. G432000 Nipple, 1/2" Close
10. U217827 Shower Head, Chrome
11. U215827 Jet, Wall Body, Chrome
12. U219827 Face Plate, Transfer Valve, Chrome
13. U546827 Nut Transfer Valve, Chrome
14. U545827 Collar, Transfer Valve, Chrome
15. U544000 O-Ring, Transfer Valve
16. U543827 Knob, Flow Control, Chrome
17. U549827 Collar, Mixer Valve, Chrome
18. U548827 Knob, Mixer Valve Chrome
19. D709827 Fill Spout Assembly, Stubby, Chrome

# TOWER PLUMBING REPAIR PARTS

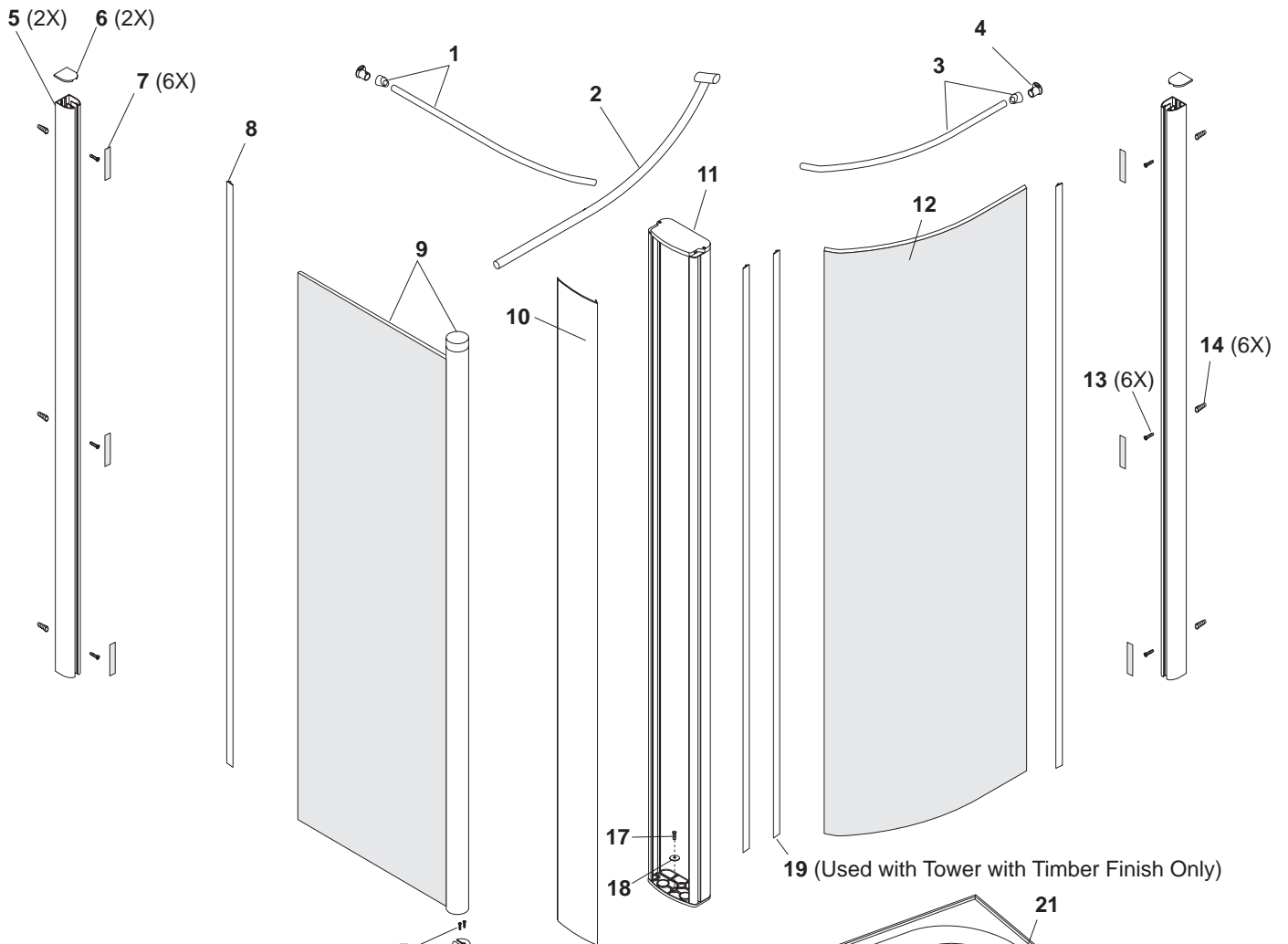
1. A944000 (9X) Spring Clamp, .625 OD Hose
2. U405000 L=31.0" Tubing, PVC Reinforced, 10mm Barb
3. U405000 L=5.5" Tubing, PVC Reinforced, 10mm Barb
4. A945000 (7X) Spring Clip, .75 OD Hose
5. U400000 FTG, Straight, 1/2" FTS X 10mm Barb
6. U403000 (2X) Cap, 1/2" FST
7. U711000 (2X) Strainer Washer, 1/2" Dia.
8. U405000 L=31.0" Tubing, PVC Reinforced, 10mm Barb
9. U540000 (2X) 1/2" Flexhose 38", Female Swivel Heads
10. GASKET (2X) Gaskets Supplied with Hose
11. U827000 (2X) Ball Valve, .5 FTP X .5 MPT L
12. U421000 (11X) Washer, FTG .7 OD
13. U401000 (7X) FTG, Ell, 1/2" FST X 10mm Barb
14. U405000 L=4.5" Tubing, PVC Reinforced, 10mm Barb
15. U404000 (2X) FTG, Y, 10mm X 10mm X 10mm Barb
16. U405000 L=2.5" Tubing, PVC Reinforced, 10mm Barb
17. U402000 FTG, Tee, 1/2" FST X 10mm Barb
18. U405000 L=10.0" Tubing, PVC Reinforced, 10mm Barb
19. U405000 L=4.5" Tubing, PVC Reinforced, 10mm Barb
20. U405000 L=5.5" Tubing, PVC Reinforced, 10mm Barb

Note 1: For Clamping U405000 to U401000 or U402000.

Note 2: For Clamping U405000 to U400000 or U404000.



## 2 WALL UNIT REPAIR PARTS



1. U134827 Rail Back Walk-in
2. U133827 Rail 2 Wall Walk-in
3. U245827 Rail Assembly Walk-in
4. U149000 Bracket, Mounting Rail
5. U119827 Wall Post, Panel
6. U138827 Cap, Wall Post
7. J686000 Tape High Bond, 2 Sided
8. U159000 Gasket, Vinyl, Glass Panel
9. U479XXX Glass Panel Assembly, Walk-in
10. U124XXX Tower Cover
11. U257XXX Final Shell, Tower Walk-in  
U126XXX Tower Body Walk-in  
U136XXX Cap, Top, Tower  
U137XXX Cap, Bottom, Tower  
U149000 Bracket, Mounting Rail  
U354000 Screw, Self Tap, #8-1.25" L  
U355000 Screw, Self Tap, #8-2.0" L
12. U113000 Glass Panel, Front, Walk-in
13. U354000 Screw Self Tap #8 X 1.25" L
14. U703000 Anchor, #6-8-10
15. 5374832 Screw, Sheet Metal PHP, #6 X .88" L
16. U196000 Bracket Corner Post, Bottom
17. 3952832 Bolt Hex FL Thrd 5/16
18. 3983832 Washer 5/16 Flat Type A Plnwdser
19. U247000 Gasket, Vinyl, Glass Panel
20. U174XXX Shower base Walk-in 2 Wall
21. U220000 Screw Self Drilling, #8 X 1.63" L
22. 9959000 Drain, Non-Caulk

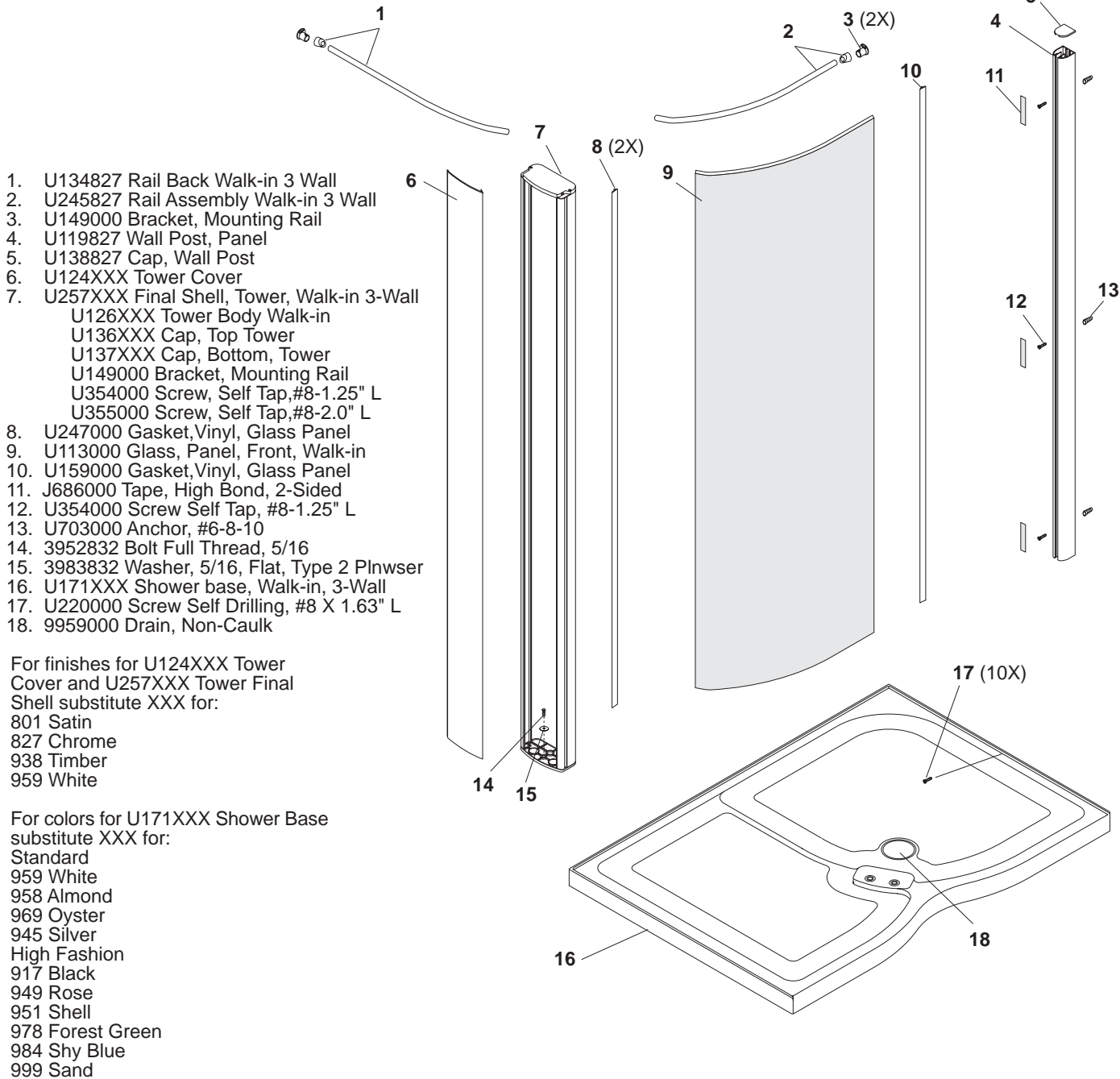
For finishes for U124XXX Tower Cover and U257XXX Tower Final Shell substitute XXX for:

- 801 Satin
- 827 Chrome
- 938 Timber
- 959 White

For colors for U174XXX Shower Base substitute XXX for:

- Standard
- 959 White
- 958 Almond
- 969 Oyster
- 945 Silver
- High Fashion
- 917 Black
- 949 Rose
- 951 Shell
- 978 Forest Green
- 984 Shy Blue
- 999 Sand

# 3 WALL UNIT REPAIR PARTS



1. U134827 Rail Back Walk-in 3 Wall
2. U245827 Rail Assembly Walk-in 3 Wall
3. U149000 Bracket, Mounting Rail
4. U119827 Wall Post, Panel
5. U138827 Cap, Wall Post
6. U124XXX Tower Cover
7. U257XXX Final Shell, Tower, Walk-in 3-Wall
  - U126XXX Tower Body Walk-in
  - U136XXX Cap, Top Tower
  - U137XXX Cap, Bottom, Tower
  - U149000 Bracket, Mounting Rail
  - U354000 Screw, Self Tap,#8-1.25" L
  - U355000 Screw, Self Tap,#8-2.0" L
8. U247000 Gasket,Vinyl, Glass Panel
9. U113000 Glass, Panel, Front, Walk-in
10. U159000 Gasket,Vinyl, Glass Panel
11. J686000 Tape, High Bond, 2-Sided
12. U354000 Screw Self Tap, #8-1.25" L
13. U703000 Anchor, #6-8-10
14. 3952832 Bolt Full Thread, 5/16
15. 3983832 Washer, 5/16, Flat, Type 2 Plnwser
16. U171XXX Shower base, Walk-in, 3-Wall
17. U220000 Screw Self Drilling, #8 X 1.63" L
18. 9959000 Drain, Non-Caulk

For finishes for U124XXX Tower Cover and U257XXX Tower Final Shell substitute XXX for:

- 801 Satin
- 827 Chrome
- 938 Timber
- 959 White

For colors for U171XXX Shower Base substitute XXX for:

- Standard
- 959 White
- 958 Almond
- 969 Oyster
- 945 Silver
- High Fashion
- 917 Black
- 949 Rose
- 951 Shell
- 978 Forest Green
- 984 Shy Blue
- 999 Sand

# Jacuzzi Whirlpool Bath Limited Warranty Designer Collection Shower Product

## WARRANTY COVERAGE

Jacuzzi Whirlpool Bath (the "Company") offers the following express limited warranty to the original purchaser of any Jacuzzi Whirlpool Bath Designer Collection Bath Product ("unit") who purchases the product for personal or single family use ("user"). The Company will repair or replace, at its option, the unit or its equipment in accordance with the following terms and conditions.

## TWO YEAR LIMITED WARRANTY ON BATHS

Our limited warranty on Designer Collection Bath products is for two (2) years. Our warranty covers the unit and factory-installed components against defects in material or workmanship. Warranty coverage begins on the date the unit was originally purchased by the user.

## NINETY DAY (PARTS ONLY) LIMITED WARRANTY ON OPTIONS AND ACCESSORIES

Our limited warranty on options and accessories manufactured by the Company is for ninety (90) days for parts only. Our warranty covers options and accessories manufactured by the Company against defects of material or workmanship. Warranty coverage begins on the date the option or accessory was originally purchased by the user.

## WARRANTY LIMITATIONS

Our limited warranty does not cover defects, damage, or failure caused by the common carrier, installer, user, or other person, or resulting from, without limitation, any of the following: careless handling (lifting unit by plumbing, abrading finish, etc.); modification of any type for any reason (including modification to meet local codes); improper installation (including installation not in accordance with instructions and specifications provided with the unit); connections supplied by the installer of the equipment; improper voltage supply or unauthorized electrical modification; misuse; incorrect operation, or lack of proper routine maintenance; operation of the unit without specified minimum amount of water or at inappropriate water temperature; use of abrasive or improper cleaners; or acts of God, such as lightning, floods, earthquakes, etc.

In addition, THE COMPANY WILL NOT BE RESPONSIBLE FOR INCIDENTAL OR CONSEQUENTIAL DAMAGES or losses arising from any cause (e.g., water damage to carpet, ceiling, loss of use, etc.) including its own negligence; damages to, respecting, or resulting from: plated parts when pool and/or spa chemicals are used in the unit; optional bath equipment not manufactured by the Company but supplied by Dealer, installer or the Company; the unit's prior usage as an operational display; or defects that should have been discovered before installation. This limited warranty does not include: labor, transportation, or other costs incurred in the removal and/or reinstallation of the original unit and/or installation of a replacement unit; any costs relating to obtaining access for repair; or loss of use damage, including loss of sales, profit or business advantage of any kind under any circumstances. Bath units are excluded from any warranty coverage if any addition, deletion, or modification of any kind whatsoever has been made to the unit (or to any component).

Warranty coverage is provided in the United States of America and Canada.

## EXCLUSION OF IMPLIED WARRANTIES

IMPLIED WARRANTIES OF MERCHANTABILITY AND FITNESS FOR A PARTICULAR PURPOSE ARE DISCLAIMED ALTOGETHER OR TO THE FULL EXTENT ALLOWED BY LAW.

NOTICE: This warranty gives you specific legal rights, and you may also have other rights which vary from state to state. There are no warranties applicable to Jacuzzi Whirlpool Bath products except as expressly stated herein or as implied by applicable state and federal laws. The Company will not be responsible for any statements or representations made in any form that go beyond, are broader than or are inconsistent with any authorized literature or specifications furnished by the Company.

Some states do not allow limitations on how long an implied warranty lasts, or the exclusion or limitation of incidental or consequential damages, so the above limitations and exclusions may not apply to you.

## RETURN OF WARRANTY CARD

The attached Warranty Registration Card MUST be filled out by the purchaser within thirty (30) days from purchase and mailed to Jacuzzi Whirlpool Bath in order for this warranty to become effective.



Jacuzzi Whirlpool Bath  
P.O. Box 702168  
Dallas, TX 75370-2168

## RESPONSIBILITIES OF OTHERS

Inspecting the unit prior to installation is the responsibility of the installer or building contractor who acts on behalf of the user. They are responsible for ensuring the unit is free of defect or damage. Notices are placed on and in the unit and on the shipping carton advising the installer of this responsibility. In the event of a problem, the unit must not be installed. The Company is not responsible for failures or damage that could have been discovered, repaired, or avoided by proper inspection and testing prior to installation.

Damage occurring in transit is the responsibility of the carrier. The user or installer **MUST** open the crate and inspect the unit for damage when it is delivered. If damage is discovered, it must be reported immediately to the seller and the carrier in writing, and an inspection requested. Failure of the carrier to respond should be reported to the seller and the carrier. Your freight claims should be filed promptly thereafter.

It is the responsibility of the installer, building contractor, or user to provide access for service. The Company is not responsible for any costs relating to obtaining access for repair. The user shall bear such costs and, if appropriate, must seek recovery from the installer.

Damage occurring to the unit during installation is the responsibility of the installer and/or building contractor and damage occurring thereafter is the responsibility of the user.

Failure of any optional equipment is the sole responsibility of the equipment manufacturer. (Options and accessories manufactured by the Company are warranted for ninety (90) days from the original date of purchase for parts only.)

The Distributor or Dealer is responsible for knowing local code requirements and notifying the installing contractor and/or user of these requirements at the time of purchase. The Company is not responsible for costs to modify any product to obtain any code approval, such as city, county, or state building codes in U.S.A. or municipal or provincial codes in Canada.

## WARRANTY SERVICE

For the customer's benefit, the Company maintains a list of independent service personnel to perform required warranty service repairs. Such firms are not agents or representatives of the Company and cannot bind the Company by words or conduct.

The Company will provide the warranty service described above when the following conditions have been met: the failure is of the nature or type covered by the warranty; the user has informed an Authorized Jacuzzi Whirlpool Bath Service Agent or Warranty Service Department Representative of the nature of the problem during the warranty period; conclusive evidence (e.g., proof of purchase or installation) is provided to the foregoing by the user proving that the failure occurred or was discovered within the warranty period; an authorized independent service person or Company representative has been permitted to inspect the unit during regular business hours within a reasonable time after the problem was reported by the user.

In order to obtain warranty service, consult your local telephone book for the location of the nearest Jacuzzi Whirlpool Bath Authorized Service Agent. Describe the problem and the Authorized Service Agent will inspect the unit and provide the required warranty service.

If you are unable to contact a Jacuzzi Whirlpool Bath Authorized Service Agent, call or write:

Jacuzzi Whirlpool Bath  
Warranty Service Department  
P.O. Box 702168  
Dallas, TX 75370-2168  
Call: (800) 288-4002

To obtain warranty replacement for factory-installed components for Company supplied options and accessories manufactured and supplied by the Company, call or write the above. Provide a description of the problem and proof of purchase. You will be instructed how to obtain replacements and where to return, at your expense, the failed component(s), option(s), or accessory(ies).

All replacement parts, equipment, and repairs shall assume the remaining warranty period of the part(s) replaced.

The Company's warranty obligation shall be discharged upon tender of replacement or repair. The customer's refusal to accept the tender terminates the Company's warranty obligation.

©2002 Jacuzzi Whirlpool Bath U223000 8/13/04

Ninety-Day  
Parts Only  
Limited Warranty  
On  
Accessory(ies)



**Warranty  
Registration Card**

This card must be filled out and returned to the address printed on the other side within thirty (30) days from date of purchase in order for this warranty to be come effective.

Purchaser's Name \_\_\_\_\_  
Purchaser's Address \_\_\_\_\_

City \_\_\_\_\_ State \_\_\_\_\_ Zip \_\_\_\_\_

Date of Purchase \_\_\_\_\_

Model Name \_\_\_\_\_

Serial Number \_\_\_\_\_

Dealer's Name \_\_\_\_\_

Dealer's Address \_\_\_\_\_

1. How did you first hear about this Jacuzzi® product?  
 Advertisement  Article in Magazine/Newspaper  
 Visited Dealer/Plumbing Supplier  Yellow Pages  
 Builder/Plumber/Remodeler  Decorator/Architect  
 Visited Retailer/Home Center Store  
 Word of Mouth... Friend/Relative/Acquaintance  
 Other (Please Describe) \_\_\_\_\_
2. Who first gave you specific information about this product (specifications, prices, etc.)?  
 Dealer/Plumbing Supplier  Builder  Remodeler  
 Plumbing Contractor  Retailer/Home Center Store  
 Decorator/Architect  Already Installed  
 Styling  Warranty Service  Product Features  
 Brand Name  Price  Hydrotherapy  
 Home Resale \_\_\_\_\_  
 Other \_\_\_\_\_
4. Who finally decided which product you would buy?  
 Self  Spouse  Self and Spouse Together  
 Other Family Member  Designer/Architect  
 Builder/Plumber/Remodeler  Retailer/Architect  
 Who installed?  Already installed/New Home  
 Contractor/Plumber when remodeling  
 Self/Spouse when remodeling  
 Other \_\_\_\_\_
6. What is the current market value of this property?  
 Please estimate \$ \_\_\_\_\_
7. What is the age of the head of the household? \_\_\_\_\_ years  
 Eljer  Lasco  Price Pfister  
 Kohler  American Standard  Sterling  
 Other (Specify) \_\_\_\_\_
9. How long did you shop before purchasing unit?  
 1 day  2 months-6 months  
 2-7 days  6 months-1 year  
 1 week-2 weeks  1 year-2 years  
 2 weeks-4 weeks  +2 years
10. Approximately how long have you lived in this home? \_\_\_\_\_  
 Please indicate, approximately, the total annual income of your household.  
 Up to \$24,999  \$50,000 to \$74,999  
 \$25,000 to \$29,999  \$75,000 to \$99,999  
 \$30,000 to \$39,999  \$100,000 to \$149,999  
 \$40,000 to \$49,999  \$150,000 and Above
12. Was your purchase process?  
 Very easy  Easy  Difficult  Very Difficult  
 How technically aware were you of the patented Jacuzzi® jet system prior to your purchase?  
 Not aware  Somewhat aware  Very aware

Ninety-Day  
Parts Only  
Limited Warranty  
On  
Accessory(ies)

**JACUZZI WHIRLPOOL BATH**  
U223000 8/13/04



## Free Manuals Download Website

<http://myh66.com>

<http://usermanuals.us>

<http://www.somanuals.com>

<http://www.4manuals.cc>

<http://www.manual-lib.com>

<http://www.404manual.com>

<http://www.luxmanual.com>

<http://aubethermostatmanual.com>

Golf course search by state

<http://golfingnear.com>

Email search by domain

<http://emailbydomain.com>

Auto manuals search

<http://auto.somanuals.com>

TV manuals search

<http://tv.somanuals.com>