



SALAMANDER BROILER

TITAN SALAMANDER BROILER



JSB-36

MODEL NO.	DESCRIPTION
<input type="checkbox"/> JSB-36	36" SALAMANDER ONLY
<input type="checkbox"/> JSB-36WM	36" SALAMANDER FOR WALL MOUNT
<input type="checkbox"/> JSB-36RMT	36" SALAMANDER FOR RANGE MOUNT TITAN
<input type="checkbox"/> JSB-36RMS	36" SALAMANDER FOR RANGE MOUNT SUPREME

STANDARD FEATURES

- Stainless steel front, sides, bottom and top
- 14 gauge stainless steel construction
- 35,000 BTU/hr. ceramic tile infrared burner
- Counter balance mechanism
- Four locking cook positions
- Large 12" x 26-1/2" lift-out chrome plated broiler grid
- Grid carriage glides on roller bearing
- Grease deflector guides grease into pans at bottom of broiler
- 3/4" gas pressure regulator
- Wall mounting bracket (JSB-36WM only)
- Stainless steel riser (JSB-36RMT and JSB-36RMS only)
- Stainless steel top

AVAILABLE OPTIONS

- Stainless steel outer back panel for range mount unit
- Interconnect gas line (for single gas connection when mounting Salamander on range)
- Custom stainless steel interior
- Countertop legs (available upon special request)



JSB-36RM shown with JTRHE-3-3



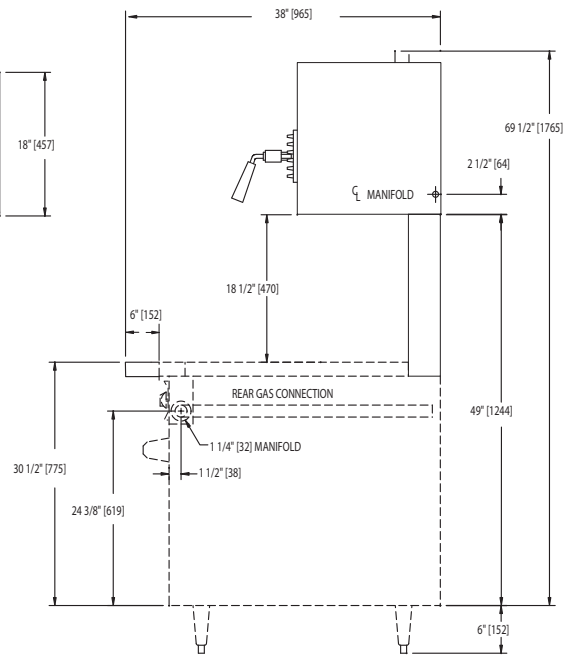
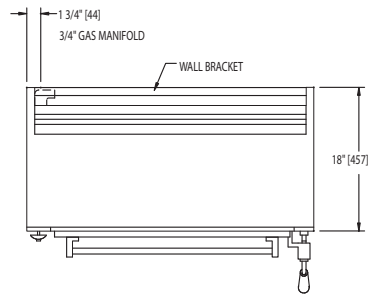
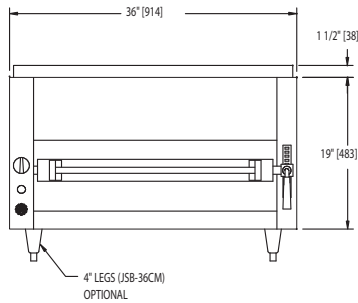
WWW.JADERANGE.COM

JADE RANGE, LLC., A MIDDLEBY COMPANY • 2650 Orbiter Street • Brea, CA 92821 • PHONE: 800-884-5233 FAX: 714-961-2550
 Note: In line with their policy to continually improve products, Jade reserves the right to change materials and specifications without notice. PRINTED IN USA





SALAMANDER BROILER



MODEL	BTUS	WIDTH	DEPTH	HEIGHT	APPX. SHP. WT.
JSB-36	35,000	36"	18"	20-1/2"	240 LBS.
JSB-36WM	35,000	36"	18"	20-1/2"	240 LBS.
JSB-36RMT	35,000	36"	18"	SEE DRAWING	310 LBS.
JSB-36RMS	35,000	36"	18"	SEE DRAWING	310 LBS.

DESCRIPTION:

Gas infrared broiler. To be model #JSB _____ manufactured by Jade Range. Unit to be the following: freestanding, WM for wall mount and RM for range mount. To have stainless steel top, front, sides and bottom, (and riser on RM). Heavy gauge chrome plated cooking grid to measure 12" x 26-1/2" multi-action positioning handle mounted to carriage. Carriage to have roller bearings and four locking positions. Provide deflector to guide grease into bottom drip pan. To have 35,000 BTU/hr. infrared burner. Provide gas pressure regulator for use with natural or propane.

SPECIFY TYPE OF GAS WHEN ORDERING.

SPECIFY ALTITUDE WHEN ABOVE 2,000 FT.

NOTE: SPECIFY TYPE OF GAS WHEN ORDERING.

UTILITY INFORMATION:

- Ranges are supplied with 1-1/4" front manifold connection and a 1" or 3/4" capped rear manifold connection. For rear manifold connection, remove cap. Ranges are supplied with 3/4" gas pressure regulator. For 1-1/4" or 1" gas pressure regulator, see accessories. (Specify required front manifold cap and cover when ordering.)
- Required operating pressure:
Natural Gas 5" W.C. minimum
Propane Gas 10" W.C. minimum
14" W.C. maximum

Note: This unit must be connected with the gas appliance regulator supplied.

Free Manuals Download Website

<http://myh66.com>

<http://usermanuals.us>

<http://www.somanuals.com>

<http://www.4manuals.cc>

<http://www.manual-lib.com>

<http://www.404manual.com>

<http://www.luxmanual.com>

<http://aubethermostatmanual.com>

Golf course search by state

<http://golfingnear.com>

Email search by domain

<http://emailbydomain.com>

Auto manuals search

<http://auto.somanuals.com>

TV manuals search

<http://tv.somanuals.com>