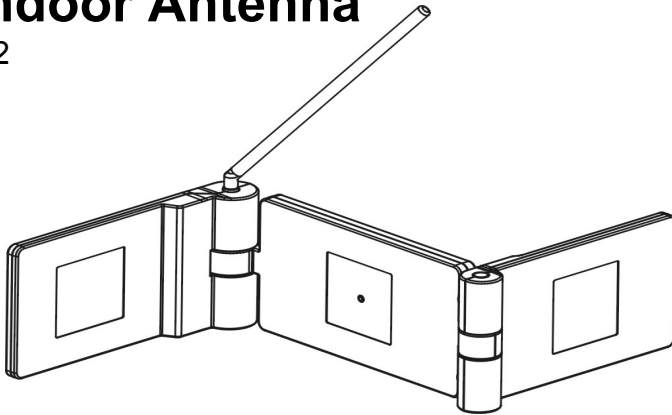


Digital Indoor Antenna

MODEL: 24702



Thank you for purchasing this digital indoor antenna.

Before your installation, please read this manual carefully and keep it for further information.

INTRODUCTION

The antennas used for digital terrestrial broadcasting can be easier and smaller. This indoor antenna (24702) is special designed for digital terrestrial broadcasting reception. The benefits of use this antenna are easy to install, light weight, compact size...etc. With state of the art low noise amplifier technology and circuitry, it will provide the best reception. And the compact and stylish housing design can be accompanied with your digital STB and TV.

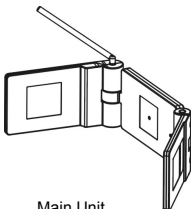
This digital indoor antenna (24702) is designed with 3 section foldable antenna panel. You can use the adjustable design to get the best signal reception. The digital antenna can be installed on a wall or be installed at the back of TV; just simply use the mounting kit.

Feature:

- 3 section foldable slim profile design indoor antenna
- Adjustable antenna mechanism for better reception adjustment
- 34" telescopic antenna for VHF reception enhance
- Flexible installation methods with mounting kit: wall-mounted, TV back mounting
- VHF 47~230MHz
- UHF 470~870MHz
- Amp. Gain VHF: 21dB \pm 3dB; UHF: 19 dB \pm 3dB
- Low noise amplifier technology

PACKAGE CONTENT

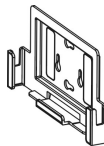
Please check the contents before your installation.



Main Unit



Wall mounting kit
(Screw X 2,
Plastic pole X 2)



Mounting
Base



Power
Inserter



Power
Adaptor

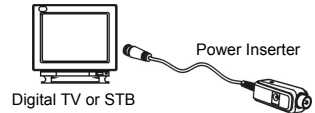


Velcro

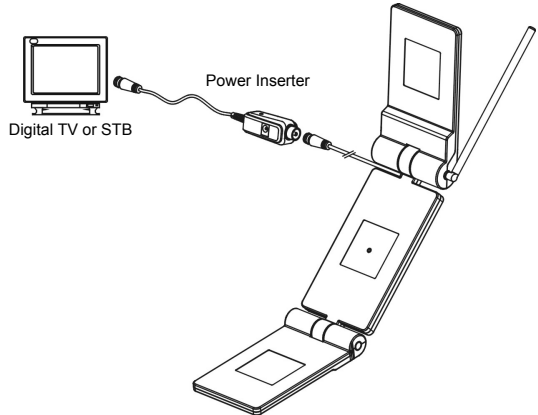
INSTALLATION

Step 1: Take out the antenna main unit.

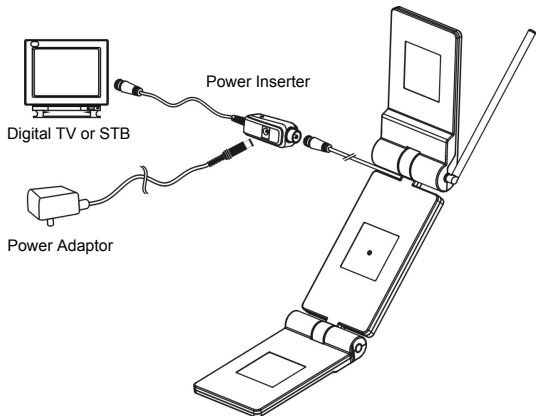
Step 2: Connect the power inserter to your Set Top Box (or TV) with the F-Male connector.



Step 3: Take the coaxial cable that attached on the antenna, and connect it to the power inserter.



Step 4: Take out the power adaptor; connect the barrel end to the DC input of power inserter, AC end to the AC Outlet. (Please note use only supplied power adaptor.)



Step 5: Turn on the STB and TV.

Step 6: Adjust the orientation of antenna to get the best signal reception.

※ If you are going to use the antenna with mounting base, please follow the steps below.

Antenna placement with mounting base:

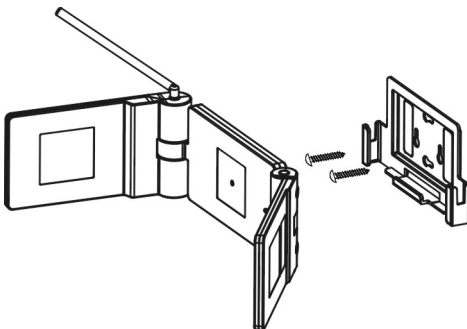
- Before the following step, please make sure that you have enough protection when you try to drill on wall to install the antenna.
- Please check the signal reception and make sure you can get a good signal at the location where you are going to install the antenna.

1. Indoor wooden wall mounting installation:

Step 1: Mark the fixing position with a pencil or pen (Please use the mounting base to mark the position).

Step 2: Take out the attached screws, using screw driver to fix these screws through the mounting base and fix it on the wall.

Step 3: Attach the antenna to the mount base, and check the signal reception.



2. Indoor concrete or RC wall mounting installation:

installation:

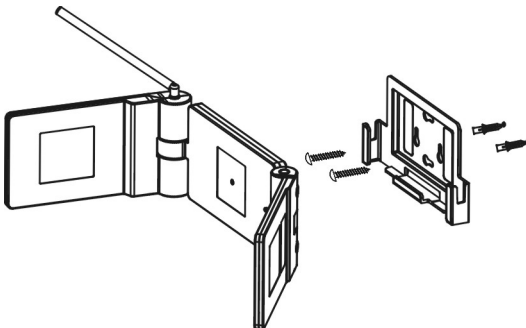
Please note, when you use the electric drill, you should wear the eyes protection goggles, and the drill bit must be fixed, to avoid any injury.

Step 1: Take a electric drill, use a drill bit to drill a 35mm deep hole. Then clean the hole.

Step 2: Take out the plastic pole, using hammer to ham it into the hole that made at step1.

Step 3: Take out the screws, use screw driver, screw them through the mounting base onto the plastic pole.

Step 4: Attach the antenna to the mount base, and check the signal reception.



3. Indoor wall mounting installation with the Velcro:

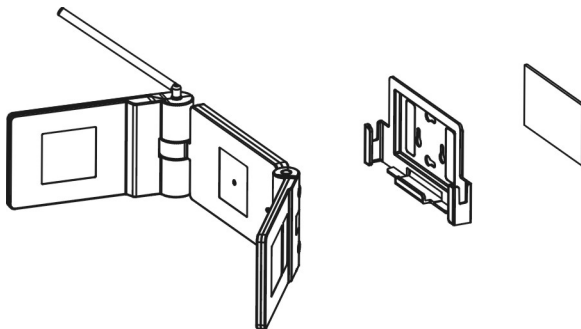
Please note, clean the surface before stick the Velcro.

Step 1: Use the Velcro inside the box, and stick to the mounting base.

Step 2: Make sure the antenna can get a good signal reception at the location and position you are going to attach.

Step 3: Stick the mounting base with the Velcro, and make the mounting base is secure.

Step 4: Attach the antenna to the mount base, and check the signal reception.



SPECIFICATIONS

Antenna	
Frequency	VHF: 47 MHz~230 MHz UHF: 470 MHz~870MHz
Amp Gain	VHF: 21 dB ±3dB UHF: 19 dB ±3dB
O/P Return Loss	< - 6dB
NF	< 2 dB
RF Output Impedance	75 Ohm
Power Adapter	AC120V / DC9V / 200mA (CEC Level IV)
RF Cable	F (Male), Length 180cm x 1, RG-174/U
Power inserter	
Frequency range	47 ~ 890MHz
Insertion Loss	< 2dB
DC Input	+ 9 ~ 12V
DC Output	+ 5V
Input connector	F Female
Output connector	F Male

NOTICE

For the best reception, Please check the following conditions.

1. Keep away from the source of interferences: keep away from heavy power consumption devices, such as air conditioner, elevator, hair dryer and microwave oven...etc.
2. Installed as high as possible: In the case of digital terrestrial reception, if there is interruption between antenna and transmission tower, it will cause the signal loss. Avoid any interruption, the reception will be better.
3. Place the antenna near windows when use the antenna in indoor environment. If the Windows screen is made of metal material, it will become as a signal shielding. Place the antenna away from those metal material windows screen.

TROUBLE SHOOTING

1. If you can not get the digital programs as you expect. Please check following conditions:
 - a. Check the connection. Make sure all the connection is correct.
 - b. The indoor antenna is an active antenna with built-in amplifier. Please check that you use the attached power inserter and power adaptor.
 - c. After you plug in the power adaptor and connect it to the power inserter, you will see the LED on the power inserter is lighted on.
 - d. Check the LED on the antenna. When the antenna is powered on, the LED will be lighted on.
2. Adjusting the direction of antenna to find the best reception angle.
3. Adjusting the antenna from vertical position to horizontal position, and try different directions.

Free Manuals Download Website

<http://myh66.com>

<http://usermanuals.us>

<http://www.somanuals.com>

<http://www.4manuals.cc>

<http://www.manual-lib.com>

<http://www.404manual.com>

<http://www.luxmanual.com>

<http://aubethermostatmanual.com>

Golf course search by state

<http://golfingnear.com>

Email search by domain

<http://emailbydomain.com>

Auto manuals search

<http://auto.somanuals.com>

TV manuals search

<http://tv.somanuals.com>