

JENN-AIR®

USE AND INSTALLATION INSTRUCTIONS DUCT FREE DOWNDRAFT FILTER ACCESSORY KIT INSTRUCTIONS D'UTILISATION ET D'INSTALLATION SYSTÈME DE FILTRAGE SANS CONDUIT POUR ÉVACUATION PAR LE BAS

Table of Contents/Table des matières

| | | | |
|--|---|---|----|
| DOWNDRAFT FILTER SAFETY | 1 | SÉCURITÉ DU FILTRE D'ÉVACUATION PAR LE BAS | 9 |
| INSTALLATION REQUIREMENTS | 2 | EXIGENCES D'INSTALLATION | 9 |
| Tools and Parts..... | 2 | Outils et pièces..... | 9 |
| Location Requirements..... | 2 | Exigences d'emplacement..... | 10 |
| INSTALLATION INSTRUCTIONS | 3 | INSTRUCTIONS D'INSTALLATION | 10 |
| Install Cooktop in the Cabinet..... | 3 | Installation de la table de cuisson dans le meuble..... | 10 |
| Prepare the Base Cabinet Bottom..... | 4 | Préparation du plancher du placard inférieur..... | 12 |
| Assemble Filter System..... | 7 | Assemblage du système de filtrage..... | 14 |
| Check Operation..... | 8 | Contrôle du fonctionnement..... | 15 |
| Filter System Care..... | 8 | Entretien du système de filtrage..... | 15 |
| TROUBLESHOOTING | 8 | DÉPANNAGE | 16 |

DOWNDRAFT FILTER SAFETY

Your safety and the safety of others are very important.

We have provided many important safety messages in this manual and on your appliance. Always read and obey all safety messages.



This is the safety alert symbol.

This symbol alerts you to potential hazards that can kill or hurt you and others.

All safety messages will follow the safety alert symbol and either the word "DANGER" or "WARNING."

These words mean:

⚠ DANGER

You can be killed or seriously injured if you don't immediately follow instructions.

⚠ WARNING

You can be killed or seriously injured if you don't follow instructions.

All safety messages will tell you what the potential hazard is, tell you how to reduce the chance of injury, and tell you what can happen if the instructions are not followed.

IMPORTANT:

Installer: Leave installation instructions with the homeowner.

Homeowner: Keep installation instructions for future reference.

IMPORTANT :

Installateur : Remettre les instructions d'installation au propriétaire.

Propriétaire : Conserver les instructions d'installation pour référence ultérieure.

W10439669A

IMPORTANT INSTRUCTIONS:

The Duct Free Filter Accessory Kit is designed to filter the air from the downdraft system and ventilate the conditioned air out into the room through the toe-kick area of the base cabinet. Do not ventilate the air from the downdraft system into the base cabinet, base cabinet pedestal, crawl space, wall or attic.

The Duct Free Filter cartridge is designed for six (6) months of normal cooking activity. The filter cartridge is not designed to be cleaned and reused. The filter must be changed as indicated by the Timestrip®. If the filter is not changed as recommended, the downdraft performance will be reduced.

INSTALLATION REQUIREMENTS

Tools and Parts

Gather the required tools and parts before starting installation. Read and follow the instructions provided with any tools listed here.

Tools needed

- Tape measure
- Framing square
- Hammer
- Set punch
- Pliers
- Marker or pencil
- Flat-blade screwdriver
- Phillips screwdriver
- Drill
- ¼" (6.4 mm) drill bit
- ⅞" (2.8 mm) drill bit
- Jigsaw or keyhole saw
- Masking tape

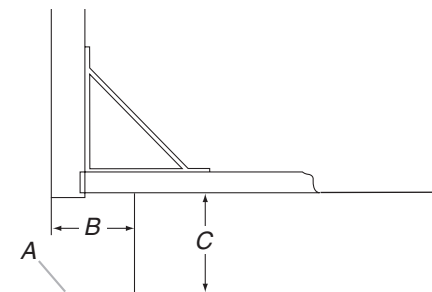
Parts supplied

- Flow test card
- Poster board template
- Duct free filter housing assembly
- Flex duct
- 2 - clamps
- Duct free filter with Timestrip®
- 4 - mounting screws

Location Requirements

The Jenn-Air® Duct Free Filter System accessory is approved for use with JED3430, JED3536, JED 4430, JED4546, JGD3430, and JGD3536 series Jenn-Air downdraft products.

The Jenn-Air® Duct Free Filter System accessory is designed to be installed in cabinetry that is constructed to meet Kitchen Cabinet Manufacturers Association (KCMA) requirements for toe-kick space. At a minimum, KCMA toe kick requires a depth dimension of 2½" (6.4 cm) and a height dimension of 3" (7.6 cm) as shown in the following illustration.



- A. Floor
- B. 2½" (6.4 cm)
- C. 3" (7.6 cm)

The Duct Free Filter

The Jenn-Air® Duct Free Filter System accessory kit includes 1 Duct Free filter cartridge. The filter included with the kit comes with a 6 month Timestrip® sensor preinstalled on the filter. The Timestrip® sensor will be visible after the filter is installed in the filter housing.

After the installation is complete, press the button on the Timestrip® sensor to activate. Once activated, the window of the Timestrip® sensor will darken along the time line until 6 months have elapsed.

A JDA8000WX replacement filter can be obtained by calling 1-800-JENNAIR (1-800-536-6247) or visiting www.jennair.com.

In Canada, call 1-800-807-6777 or visit www.jennair.ca.

INSTALLATION INSTRUCTIONS

Install Cooktop in the Cabinet

Follow the manufacturer's recommended instructions for installing your downdraft cooktop with the downdraft blower exhaust scroll turned straight down.

To rotate the blower exhaust scroll down, complete the following steps.

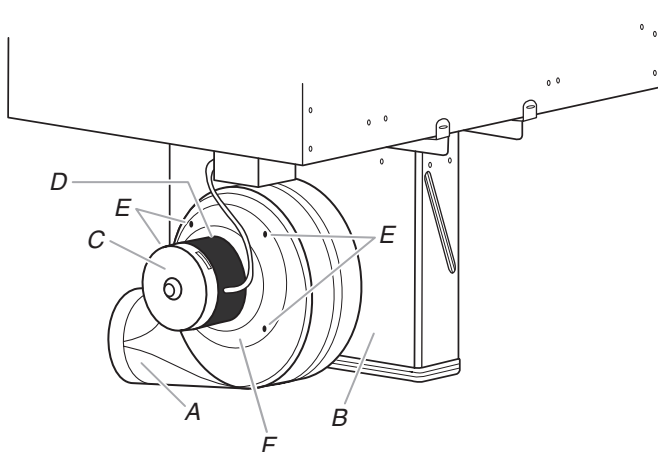
Rotate Blower

IMPORTANT: The following additional steps must be performed if the cooktop is being installed in a peninsula or island cabinetry.

The blower exhaust scroll is shipped from the factory set to exhaust straight out the back of the cabinet through an exterior wall.

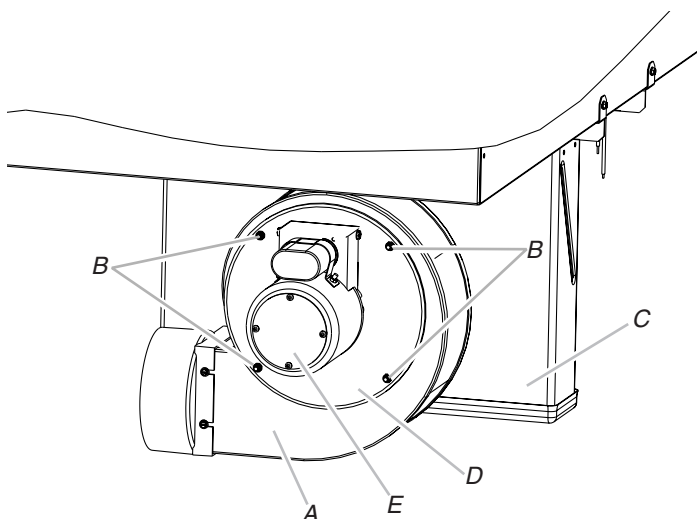
NOTE: There are two different styles of blowers. See the following illustrations.

Blower Style A - With Top Label



- | | |
|--------------------------|---------------------------|
| A. Blower exhaust scroll | D. Top label |
| B. Plenum | E. 10-32 machine nuts (4) |
| C. Blower motor | F. Motor mounting plate |

Blower Style B - Without Top Label

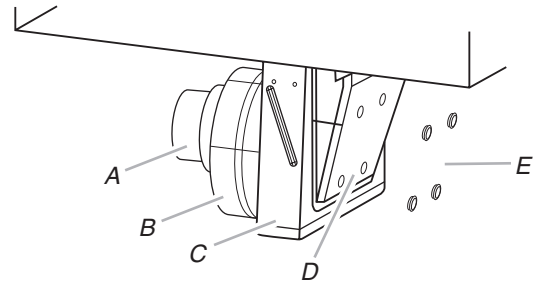


- | | |
|---------------------------|-------------------------|
| A. Blower exhaust scroll | C. Plenum |
| B. 10-32 machine nuts (4) | D. Motor mounting plate |
| E. Blower motor | |

To rotate blower:

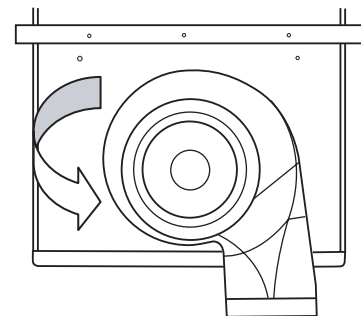
1. Locate the 4 plastic plugs in the plenum bypass.
2. Use the pliers to remove the plastic plugs.

IMPORTANT: Do not throw away the plastic plugs. The plastic plugs must be reinstalled after the blower exhaust scroll has been rotated.



- | | |
|-------------------|----------------------|
| A. Blower motor | D. Blower bypass |
| B. Exhaust scroll | E. Plastic plugs (4) |
| C. Plenum | |

3. Insert the $\frac{3}{8}$ " socket and extension into the hole and use the ratchet handle to loosen the nut half of a rotation. Repeat this process for each of the 4 nuts.
4. With the nuts loosened, the blower exhaust scroll can be easily rotated downward.

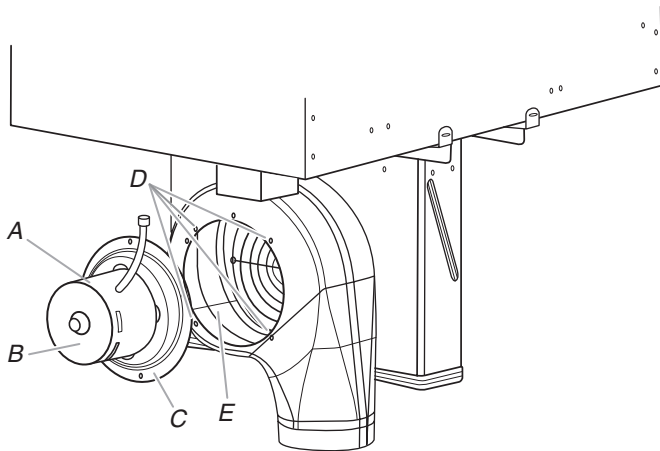


5. Retighten each nut with the $\frac{3}{8}$ " socket, extension and ratchet.
6. Reinstall the 4 plastic plugs.

To rotate blower motor (blower style A only):

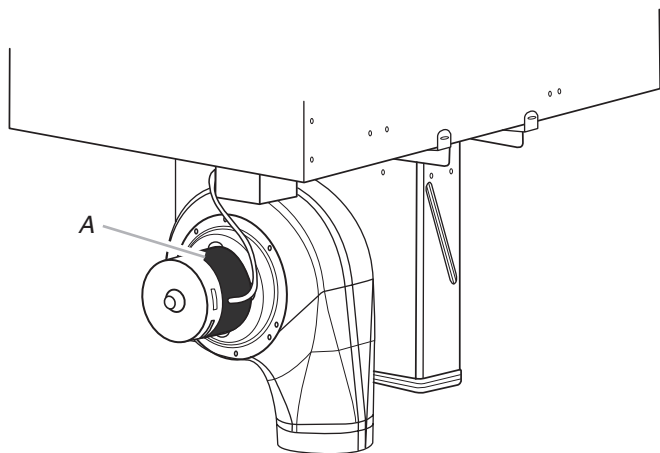
NOTE: The "Top" label location on the blower motor is at the 9 o'clock position.

1. Using a ratchet with a 3/8" socket and supporting the motor with one hand, remove the 4 machine nuts that attach the blower motor to the exhaust scroll.
2. Remove the blower motor and wheel assembly from the weld studs.



A. Top label
 B. Blower motor
 C. Motor mounting plate
 D. Weld stud location
 E. Blower wheel

3. When the motor mounting plate clears the threaded weld studs, rotate the assembly clockwise 90° and reinstall the 4 #10-32 machine nuts.
4. Verify the "Top" label is positioned as shown.



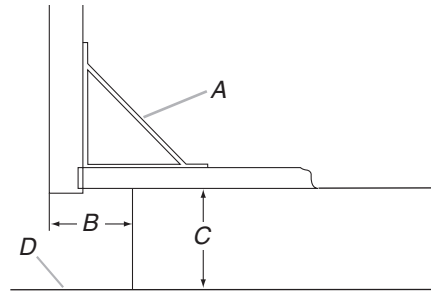
A. Top label

Prepare the Base Cabinet Bottom

Installation of the Jenn-Air® Duct Free Filter System requires modification to the cabinet base bottom in the toe-kick area of the base cabinet. A cutout and 4 pilot holes are required for mounting the Duct Free filter housing.

Remove Cabinet Brace

1. Open the cabinet doors.
2. Determine if a wooden or plastic brace is attached to the cabinet floor and to the back of the center mullion as shown in the following illustration.



A. Brace
 B. 2 1/2" (6.4 cm)
 C. 3" (7.6 cm)
 D. Floor

3. If a wooden or plastic brace is installed, remove the brace.

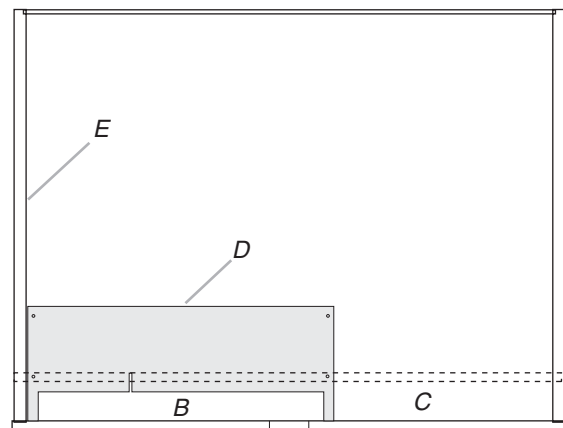
Cabinet Floor Cutout

The installation of the Jenn-Air® Duct Free Filter System Accessory Kit is dependent upon the type of cooktop purchased and the base cabinet dimension. For example, a 30" (76.2 cm) cooktop is designed to fit in a 30" (76.2 cm) base cabinet, and a 36" (91.4 cm) cooktop is designed to fit in a 36" (91.4 cm) base cabinet.

The poster board template provided with the kit is universal. However, the actual location of the exhaust cutout is different between the 30" (76.2 cm) and 36" (91.4 cm) products, due to the length difference between the base cabinets. The sketches that follow show the general position of the template.

For a 30" (76.2 cm) base cabinet: The template will be located in the front left corner. Note the area to be cut out of the cabinet floor is in the toe-kick area.

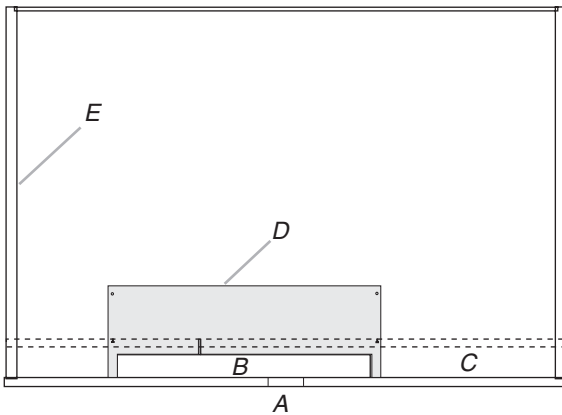
Top View of Cabinet



A. Front of cabinet
 B. Area to be cut out
 C. Toe kick
 D. Template
 E. Left side of cabinet

For a 36" (91.4 cm) base cabinet: The poster board template will be located closer to the center of the cabinet. Note the area to be cut out of the cabinet floor is in the toe-kick area.

Top View of Cabinet



- A. Front of cabinet
- B. Area to be cut out
- C. Toe kick
- D. Template
- E. Left side of cabinet

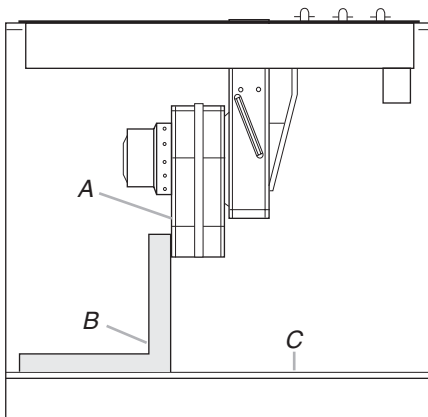
NOTE: For illustration purposes, the cabinet front is not shown in most of the following illustrations.

IMPORTANT: Do not cut the cabinet front.

Cutout Steps

1. Use the framing square and draw a line on the cabinet floor parallel to the edge of the blower exhaust scroll.

Top View of Cabinet

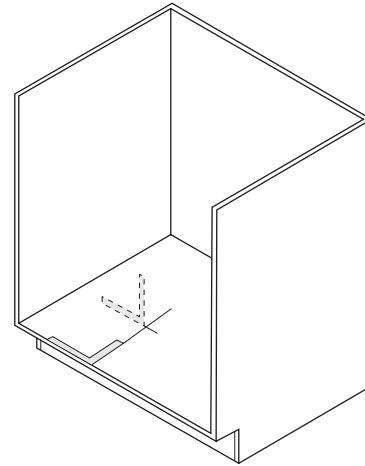


- A. Blower exhaust scroll
- B. Framing square
- C. Cabinet floor

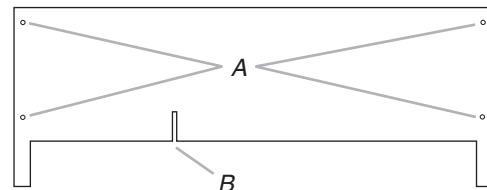
2. Flip the framing square over and slide it against the cabinet front.

3. Extend the line made in Step 1 to the cabinet front.

NOTE: For clarity, the cabinet front is not shown in this view.



4. Locate template included with the installation kit.

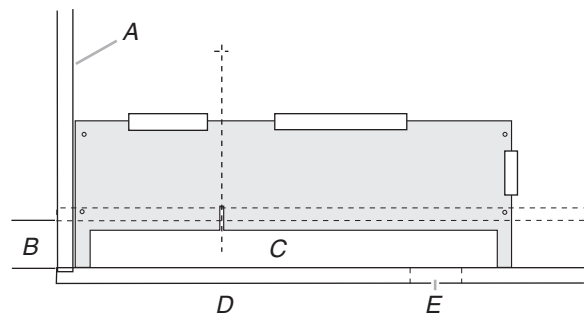


- A. Pilot hole locations
- B. Alignment notch

5. Center the line made in Step 3 within the alignment notch of the template. Make sure the edge of the template is against the cabinet front.
6. Tape template to bottom of cabinet with masking tape as shown in the following illustrations.

30" (76.2 cm) Base Cabinet Template Position

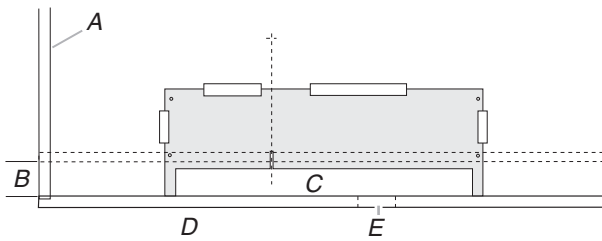
Top View of Cabinet



- A. Left side of cabinet
- B. Toe-kick area
- C. Area to be cut out
- D. Cabinet front
- E. Center mullion

36" (91.4 cm) Base Cabinet Template Position

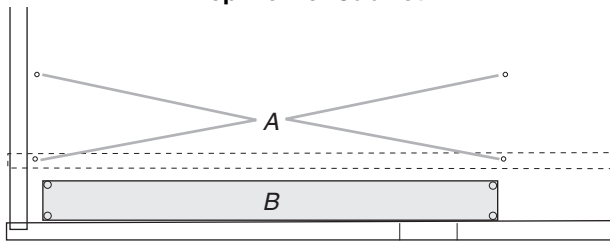
Top View of Cabinet



- A. Left side of cabinet
- B. Toe-kick area
- C. Area to be cut out
- D. Cabinet front
- E. Center mullion

7. Trace the rectangle formed by the template onto the cabinet floor. This is the area to be cut (C).
8. Use a set-punch and hammer to center-punch locations of the housing assembly pilot holes in the cabinet floor.
9. Remove the template and tape. This will reveal the cutout location and the pilot holes to be drilled in the cabinet bottom (30" [76.2 cm] base cabinet installation shown).

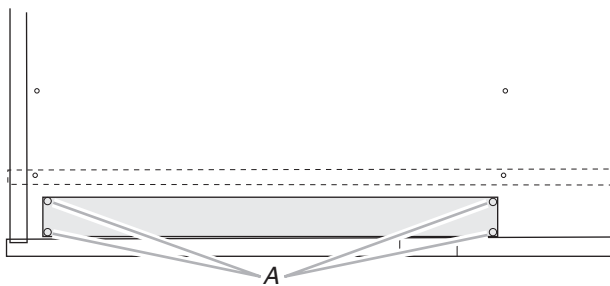
Top View of Cabinet



- A. Housing assembly pilot hole locations
- B. Area to be cut out

10. Use a drill with an $\frac{7}{64}$ " (2.8 mm) drill bit to predrill 4 pilot holes used for mounting the housing assembly to the cabinet floor.
11. Change the drill bit to a $\frac{1}{4}$ " (6.4 mm) drill bit. Drill 4 through-holes within the outline of the rectangle traced onto the cabinet floor.

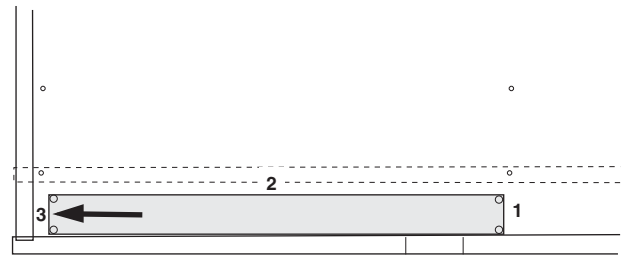
Top View of Cabinet



- A. Cutout pilot hole locations

12. Use a jigsaw to cut along the outline at points 1 and 2. At point 3, for a 30" (76.2 cm) base cabinet only, a hand-held keyhole saw will be needed to complete the cut.

Top View of Cabinet

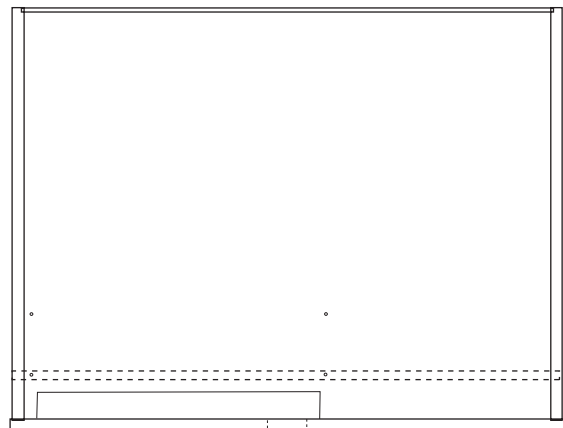


13. Use a hammer to tap on the cut piece of the cabinet floor bottom until it falls out.

NOTE: Some cabinets will have brads, nails or staples. Others will use glue to attach the cabinet floor bottom to the cabinet front. If brads, nails or staples are present, remove with pliers and properly dispose of these items.

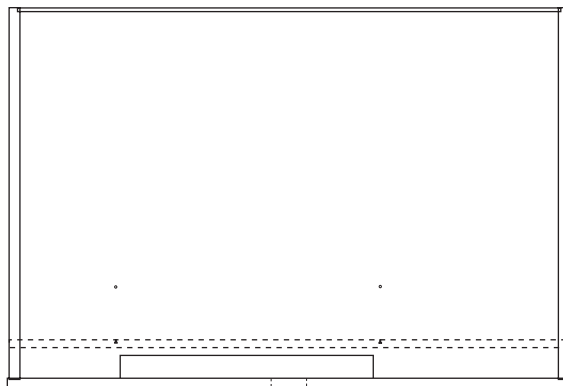
30" (76.2 cm) base cabinet with the opening cut into the cabinet floor.

Top View of Cabinet



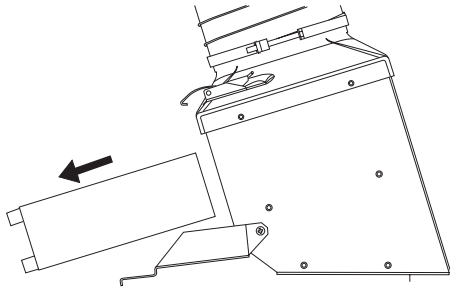
36" (91.4 cm) base cabinet with the opening cut into the cabinet floor.

Top View of Cabinet



Assemble Filter System

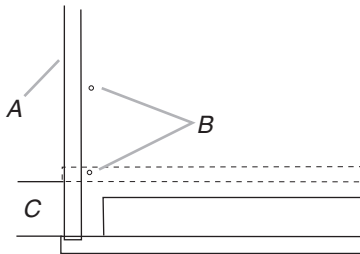
1. Open the 2 latches on top of the blower transition.
2. Open the filter access door.
3. Remove the filter from the housing assembly. The filter will be reinstalled at the end of the installation process.



4. For 30" (76.2 cm) base cabinet installation only:

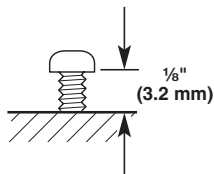
- a.) Preinstall 2 - #8 AB x 1/2" black screws provided with kit into the predrilled holes in the cabinet floor next to the left side cabinet wall.

Top View of Cabinet



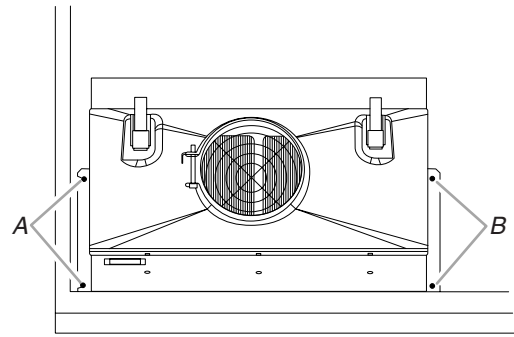
A. Left side cabinet wall
B. Predrilled holes in floor
C. Toe-kick area

- b.) Leave approximately an 1/8" (3.2 mm) gap between the bottom of the screw head and the cabinet floor.



- c.) Place the housing assembly into the cutout in the cabinet floor aligning the slotted flange on the left side under the screw heads (A).
- d.) Install 2 - #8 AB x 1/2" screws (B) through the round holes in the right side of the housing and into the predrilled holes in the cabinet floor and tighten.

Top View of Cabinet



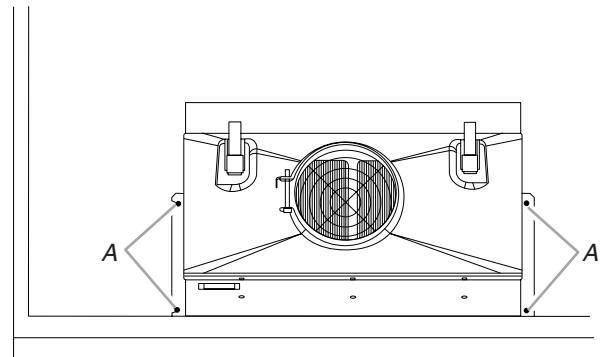
A. Left side preinstalled screws
B. Right side screws

- e.) Tighten the 2 - #8 AB x 1/2" screws on the left side (A).

For 36" (91.4 cm) base cabinet installation only:

- a.) Place the housing assembly into the cutout in the cabinet floor aligning the slotted flange with predrilled holes in cabinet floor.

Top View of Cabinet

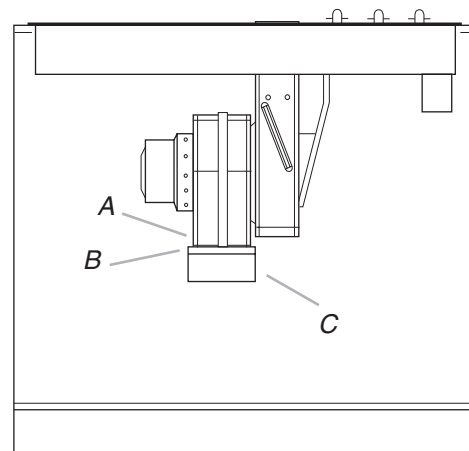


A. 4 - #8 AB x 1/2" screws

- b.) Install 4 - #8 AB x 1/2" screws (A) through the round holes in the housing and into the predrilled holes in the cabinet floor and tighten.

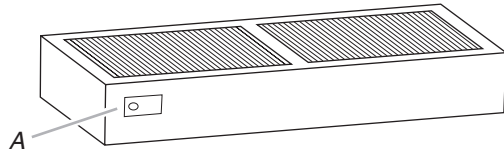
5. Attach one end of the flex duct to the blower exhaust scroll with 1 clamp.

Front View of Cabinet



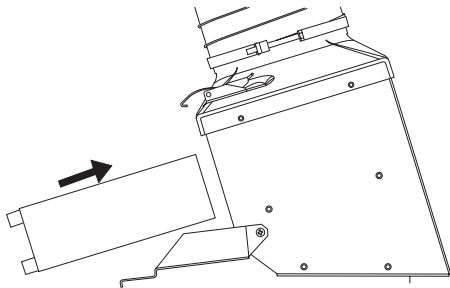
A. Blower exhaust scroll
B. Clamp
C. Flex duct

6. Attach the other end of the flex duct to the top of the blower transition with 1 clamp.
7. Remove and dispose of/recycle the plastic bag that covers the filter.
8. Activate the Timestrip® sensor by pressing the button on the front of the filter.



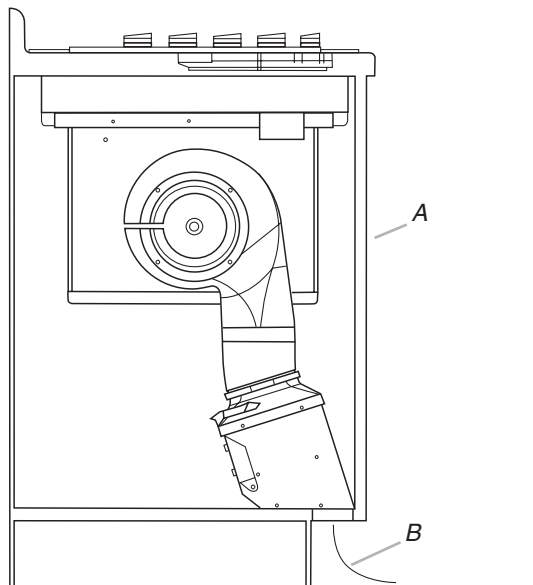
A. Timestrip® sensor

9. Insert the filter back into the Duct Free filter housing so that the Timestrip® sensor can be seen through the opening in the front of the filter housing when the cabinet door is opened.



10. Close the filter access door and close the latches attached to the top of the blower transition.

View of Completed Installation



A. Front of cabinet
B. Exhaust airflow

Check Operation

1. Turn the downdraft system on HI and verify the following:
 - Determine that there is airflow coming out through the toe kick area.
 - Determine that there are no air leaks around the flex hose clamps.
2. Follow the instructions on the Flow Test Card provided with the kit to verify the installation.

Filter System Care

The Jenn-Air® Duct Free Filter System is designed to require minimal attention between filter changes.

The filter is designed to last 6 months after the Timestrip® sensor is activated. Verify the Timestrip® weekly.

The housing can be cleaned with a paper towel and household cleaners or with a cloth and warm soapy water. No special cleaners are required.

TROUBLESHOOTING

No airflow through the system out through the toe-kick area of the cabinet

For gas installation:

⚠ WARNING



Electrical Shock Hazard

Plug into a grounded 3 prong outlet.

Do not remove ground prong.

Do not use an adapter.

Do not use an extension cord.

Failure to follow these instructions can result in death, fire, or electrical shock.

- **Is the power supply cord to the cooktop unplugged?**
Plug the power cord from the cooktop into a grounded 3 prong outlet

For electric installation:

- **Is the power supply breaker tripped or the fuse blown?**
Reset the breaker or replace the fuse.

The downdraft blower attached to the cooktop creates the air flow that flows down through the Duct Free system. If no power is supplied to the cooktop, the system will not work.

- **Is the Timestrip® sensor window red?**
Replace the filter.
- **Has the plastic bag been removed from the filter?**
Remove and dispose of/recycle the plastic bag.
- **Is the Duct Free Filter housing door shut, and are the door latches closed?**
Firmly close the filter housing door and door latches.

SÉCURITÉ DU FILTRE D'ÉVACUATION PAR LE BAS

Votre sécurité et celle des autres est très importante.

Nous donnons de nombreux messages de sécurité importants dans ce manuel et sur votre appareil ménager. Assurez-vous de toujours lire tous les messages de sécurité et de vous y conformer.



Voici le symbole d'alerte de sécurité.

Ce symbole d'alerte de sécurité vous signale les dangers potentiels de décès et de blessures graves à vous et à d'autres.

Tous les messages de sécurité suivront le symbole d'alerte de sécurité et le mot "DANGER" ou "AVERTISSEMENT". Ces mots signifient :

⚠ DANGER

Risque possible de décès ou de blessure grave si vous ne suivez pas immédiatement les instructions.

⚠ AVERTISSEMENT

Risque possible de décès ou de blessure grave si vous ne suivez pas les instructions.

Tous les messages de sécurité vous diront quel est le danger potentiel et vous disent comment réduire le risque de blessure et ce qui peut se produire en cas de non-respect des instructions.

CONSIGNES IMPORTANTES :

Le système de filtrage sans conduit filtre l'air du circuit d'évacuation par le bas et évacue l'air filtré dans la pièce à travers le dégagement de la plinthe du placard inférieur. Ne pas évacuer l'air du circuit dans le placard inférieur ou son socle, un vide sanitaire, un mur ou un grenier.

La cartouche filtrante est utilisable pendant six mois d'activité normale de cuisine. La cartouche filtrante sans conduit n'est pas prévue pour être nettoyée et réutilisée. Le filtre doit être remplacé en fonction de l'indicateur Timestrip®. Si le filtre n'est pas remplacé comme préconisé, l'évacuation par le bas ne sera pas optimale.

EXIGENCES D'INSTALLATION

Outils et pièces

Rassembler les outils et composants nécessaires avant d'entreprendre l'installation. Lire et observer les instructions fournies avec chacun des outils de la liste ci-dessous.

Outils nécessaires

- Mètre-ruban
- Équerre de charpentier
- Marteau
- Poinçon
- Pince
- Marqueur ou crayon
- Tournevis à lame plate
- Tournevis Phillips
- Perceuse
- Foret de 1/4" (6,4 mm)
- Foret de 7/64" (2,8 mm)
- Scie sauteuse ou scie à guichet
- Ruban adhésif de masquage

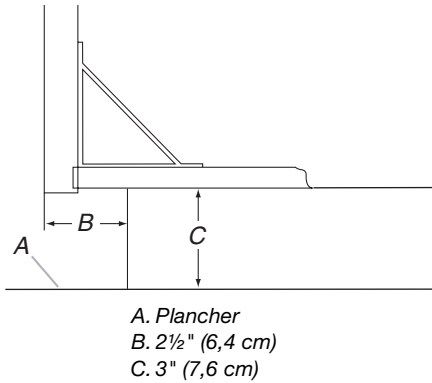
Pièces fournies

- Fiche de test du débit
- Gabarit en carton résistant
- Logement de filtre sans conduit
- Conduit flexible
- 2 brides
- Filtre sans conduit à indicateur de durée d'utilisation Timestrip®
- 4 vis de montage

Exigences d'emplacement

Le système de filtrage sans conduit Jenn-Air® est approuvé pour les produits d'évacuation par le bas Jenn-Air des séries JED3430, JED3536, JED 4430, JED4546, JGD3430 et JGD3536.

Le système de filtrage sans conduit Jenn-Air® doit être installé dans un meuble fabriqué selon les critères de KCMA (Kitchen Cabinet Manufacturers Association) concernant le dégagement de la plinthe. D'après le minimum de KCMA, le dégagement de la plinthe doit avoir une profondeur de 2½" (6,4 cm) et une hauteur de 3" (7,6 cm), comme illustré dans la figure suivante.



Filtre sans conduit

L'ensemble pour système de filtrage sans conduit Jenn-Air® contient 1 cartouche filtrante sans conduit. Le filtre inclus dans l'ensemble est équipé d'un indicateur Timestrip® de durée d'utilisation de 6 mois préinstallé sur le filtre. L'indicateur Timestrip® est visible une fois le filtre installé dans son logement.

Une fois l'installation terminée, appuyer sur le bouton de l'indicateur Timestrip® pour l'activer. Une fois activé, la fenêtre d'affichage de l'indicateur Timestrip® s'assombrit régulièrement le long de l'indicateur de temps jusqu'à ce que les 6 mois soient écoulés.

Il est possible de commander un filtre de rechange JDA8000WX en composant 1-800-JENNAIR (1-800-536-6247) ou en visitant le site Web www.jennair.com.

Au Canada, composer le 1-800-807-6777 ou consulter le site Internet www.jennair.ca.

INSTRUCTIONS D'INSTALLATION

Installation de la table de cuisson dans le meuble

Suivre les consignes recommandées par le fabricant pour installer la table de cuisson à évacuation par le bas, spirale d'échappement tournée à la verticale vers le bas.

Pour faire pivoter la spirale d'échappement du ventilateur vers le bas, effectuer les étapes suivantes.

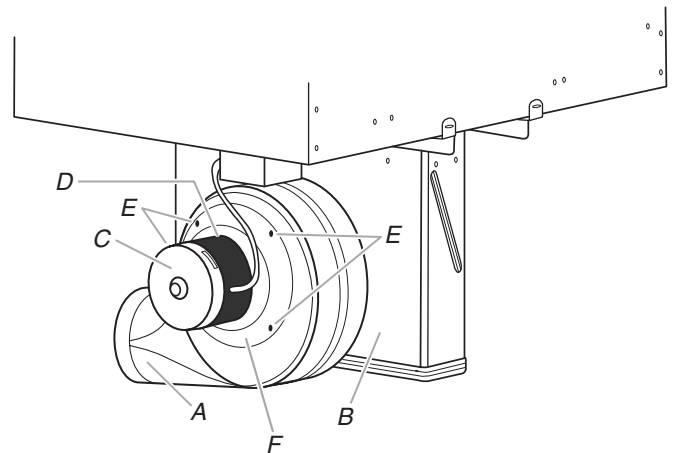
Rotation du ventilateur

IMPORTANT : Les étapes supplémentaires suivantes doivent être effectuées si la table de cuisson est installée avec une configuration passe-plats ou en îlot.

Au déballage, la spirale d'échappement du ventilateur est orientée vers l'arrière du placard, pour une évacuation à travers une paroi extérieure.

REMARQUE : Il existe deux types de ventilateur. Voir les illustrations suivantes.

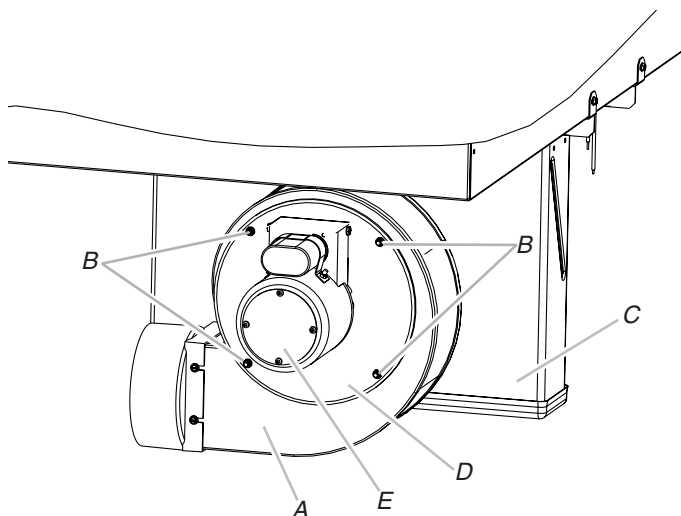
Ventilateur de type A – Avec étiquette indiquant le dessus



A. Spirale d'échappement du ventilateur
B. Chambre de distribution
C. Moteur du ventilateur

D. Étiquette indiquant le haut (Top)
E. Écrous mécaniques 10-32 (qté 4)
F. Platine de montage du moteur

Ventilateur de type B – Sans étiquette indiquant le dessus

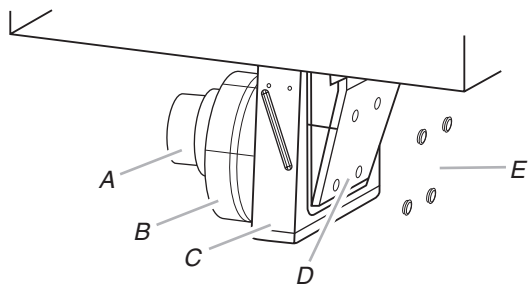


- A. Spirale d'échappement du ventilateur
 B. (4) Écrous à métaux de 10-32
 C. Chambre de distribution
 D. Platine de montage du moteur
 E. Moteur du ventilateur

Pour tourner le ventilateur :

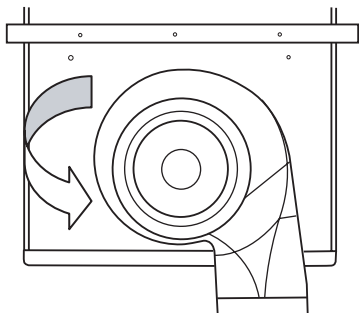
1. Localiser les 4 bouchons en plastique dans le volet de la chambre de distribution.
2. Les enlever à l'aide d'une pince.

IMPORTANT : Ne pas jeter les bouchons en plastique. Les bouchons en plastique doivent être réinstallés une fois la spirale d'échappement du ventilateur tournée.



- A. Moteur du ventilateur
 B. Spirale d'échappement
 C. Chambre de distribution
 D. Volet du plénum
 E. Bouchons en plastique (qté 4)

3. Insérer la clé à douille de 3/8" et la rallonge dans le trou et dévisser l'écrou d'un demi-tour à l'aide de la poignée à cliquet. Répéter l'opération pour les 4 autres écrous.
4. Une fois les écrous desserrés, la spirale d'échappement du ventilateur s'oriente sans effort vers le bas.

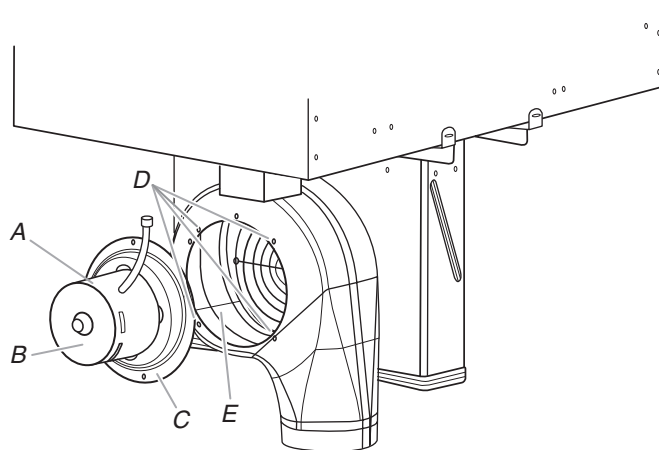


5. Resserrer chaque écrou à l'aide de la clé à cliquet avec rallonge et douille de 3/8".
6. Réinstaller les 4 bouchons en plastique.

Pour tourner le moteur du ventilateur (ventilateur de type A uniquement) :

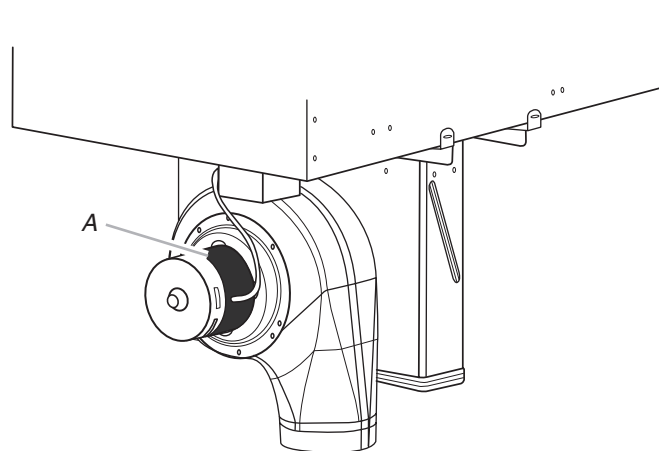
REMARQUE : L'emplacement de l'étiquette indiquant le haut (Top) sur le moteur du ventilateur est à la position de 9 heures.

1. À l'aide d'une clé à cliquet à douille de 3/8" et en soutenant le moteur d'une main, dévisser les 4 écrous mécaniques qui maintiennent le moteur du ventilateur à la spirale d'échappement.
2. Dégager l'ensemble moteur-roue des goujons soudés.



- A. Étiquette indiquant le haut (Top)
 B. Moteur du ventilateur
 C. Platine de montage du moteur
 D. Emplacement des goujons soudés
 E. Roue du ventilateur

3. Lorsque la platine de montage du moteur sort des goujons soudés filetés, tourner l'ensemble de 90° dans le sens horaire et revisser les 4 écrous n° 10-32.
4. Vérifier que l'étiquette "Top" est placée comme illustré.



A. Étiquette indiquant le haut (Top)

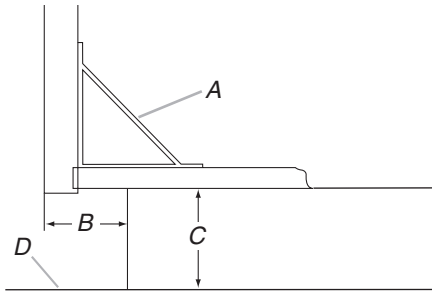
Préparation du plancher du placard inférieur

L'installation du système de filtrage sans conduit Jenn-Air® impose de modifier le plancher du placard inférieur au niveau du dégagement de la plinthe. Une découpe et 4 avant-trous sont nécessaires pour installer le logement du filtre sans conduit.

Pour un placard inférieur de 36" (91,4 cm) : Le gabarit en carton résistant sera placé plus près du centre du placard. Noter que la zone du plancher du placard à découper se trouve dans la zone de la plinthe.

Démontage de l'équerre de renfort

- Ouvrir les portes du placard.
- Déterminer si une équerre en plastique ou en bois est fixée au plancher du placard et à l'arrière du montant central comme illustré dans la figure suivante.



A. Équerre
B. 2 1/2" (6,4 cm)
C. 3" (7,6 cm)
D. Plancher

- Si une équerre en bois ou en plastique est installée, la démonter.

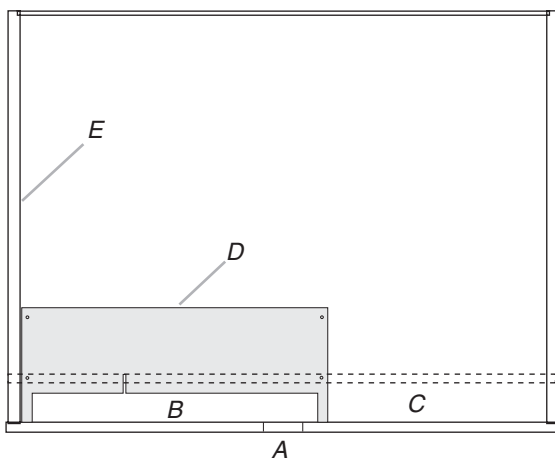
Découpe du plancher du placard

L'installation de l'ensemble pour système de filtrage sans conduit Jenn-Air® dépend du type de table de cuisson et des dimensions du placard inférieur. Par exemple, une table de cuisson de 30" (76,2 cm) est acceptable dans un placard inférieur de 30" (76,2 cm) et une table de cuisson de 36" (91,4 cm) convient pour un placard inférieur de 36" (91,4 cm).

Le gabarit en carton résistant fourni est universel. Cependant, l'emplacement de la découpe de l'évacuation varie entre les produits de 30" (76,2 cm) et de 36" (91,4 cm) en raison des différentes longueurs des placards inférieurs. Les schémas ci-dessous illustrent la position générale du gabarit.

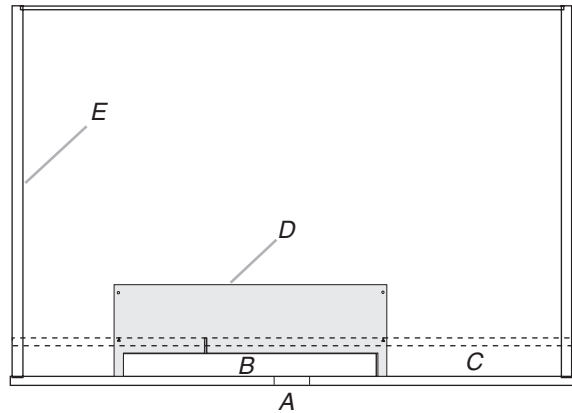
Pour un placard inférieur de 30" (76,2 cm) : Le gabarit sera placé dans le coin avant gauche. Noter que la zone du plancher du placard à découper se trouve dans le dégagement de la plinthe.

Placard vu de dessus



A. Avant du placard
B. Zone à découper
C. Plinthe
D. Gabarit
E. Côté gauche du placard

Placard vu de dessus



A. Avant du placard
B. Zone à découper
C. Plinthe
D. Gabarit
E. Côté gauche du placard

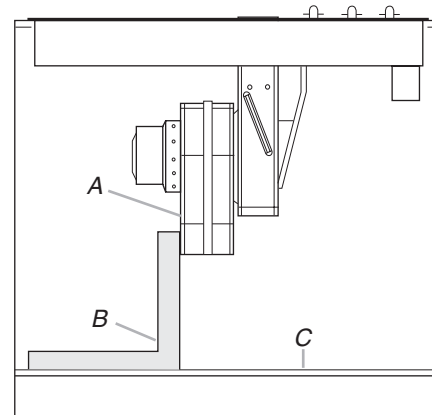
REMARQUE : À des fins de lisibilité, l'avant du placard n'est pas représenté dans la plupart des illustrations suivantes.

IMPORTANT : Ne pas découper l'avant du placard.

Étapes de la découpe

- À l'aide de l'équerre de charpentier, tracer un trait sur le plancher du placard à l'aplomb du flanc de la spirale d'échappement du ventilateur.

Placard vu de dessus

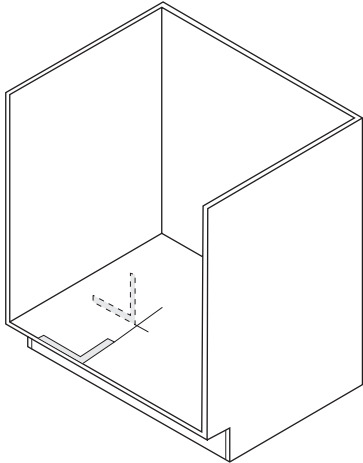


A. Spirale d'échappement du ventilateur
B. Équerre de charpentier
C. Plancher du placard

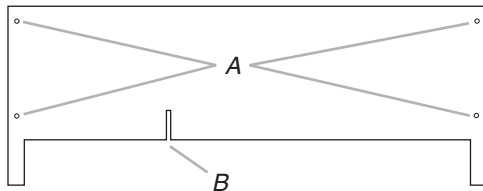
- Retourner l'équerre de charpentier et la glisser contre l'avant du placard.

3. Prolonger le trait tracé à l'étape 1 jusqu'à l'avant du placard.

REMARQUE : Pour des raisons de clarté, l'avant du placard n'est pas représenté dans cette vue.



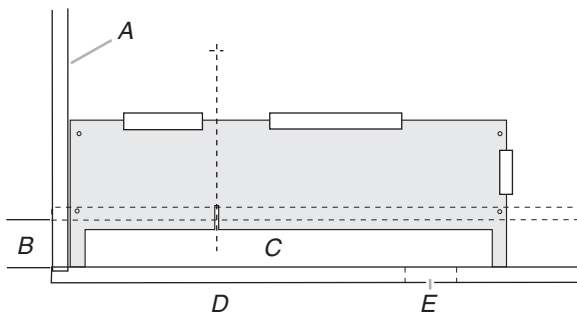
4. Rechercher le gabarit inclus dans l'ensemble d'installation.



A. Emplacement des avant-trous
B. Entaille d'alignement

5. Centrer le trait tracé dans l'étape 3 dans l'entaille d'alignement du gabarit. S'assurer que le bord du gabarit est aligné sur l'avant du placard.
6. Fixer le gabarit au plancher du placard à l'aide de ruban adhésif de masquage, comme illustré dans les figures suivantes.

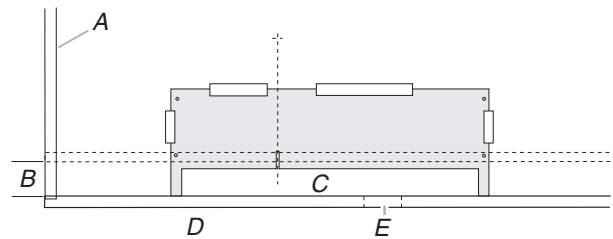
Position du gabarit dans un placard inférieur de 30" (76,2 cm)
Placard vu de dessus



A. Côté gauche du placard
B. Dégagement de la plinthe
C. Zone à découper
D. Avant du placard
E. Montant central

Position du gabarit dans un placard inférieur de 36" (91,4 cm)

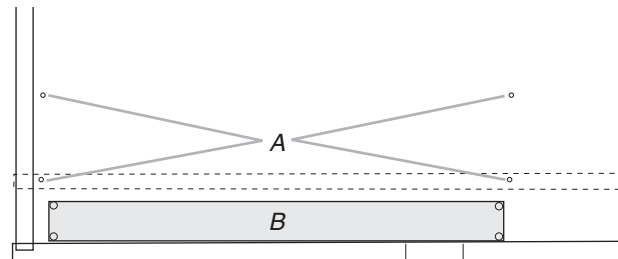
Placard vu de dessus



A. Côté gauche du placard
B. Dégagement de la plinthe
C. Zone à découper
D. Avant du placard
E. Montant central

7. Tracer le rectangle délimité par le gabarit sur le plancher du placard. Il s'agit de la partie à découper (C).
8. À l'aide d'un poinçon et d'un marteau, marquer les emplacements des avant-trous pour le logement de filtre dans le plancher du placard.
9. Retirer le gabarit et le ruban adhésif. L'emplacement de la découpe et des avant-trous à percer est indiqué sur le plancher du placard (illustration d'une installation dans un placard inférieur de 30" [76,2 cm]).

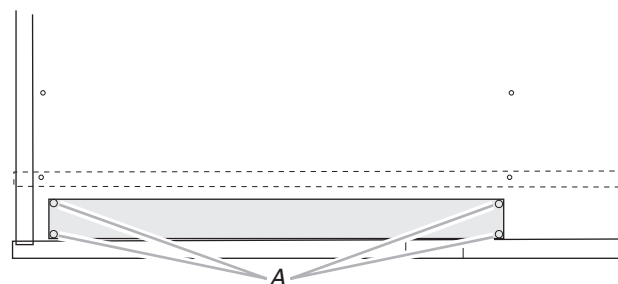
Placard vu de dessus



A. Emplacement des avant-trous du logement de filtre
B. Zone à découper

10. À l'aide d'une perceuse équipée d'un foret de $\frac{7}{64}$ " (2,8 mm), percer 4 avant-trous qui serviront à monter le logement de filtre sur le plancher du placard.
11. Remplacer le foret par un foret de $\frac{1}{4}$ " (6,4 mm). Percer 4 avant-trous aux coins du rectangle tracé sur le plancher du placard.

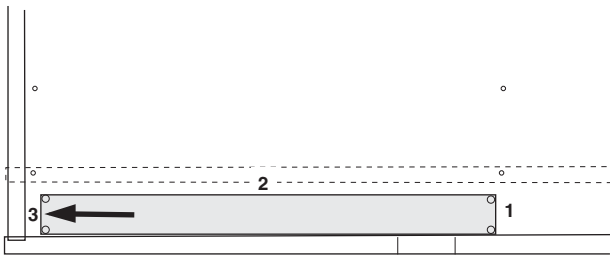
Placard vu de dessus



A. Emplacement des avant-trous de la découpe

12. À l'aide d'une scie circulaire, découper le long du tracé les côtés 1 et 2.
- Au côté 3, pour un placard inférieur de 30" (76,2 cm) uniquement, une scie à guichet manuelle est nécessaire pour terminer la découpe.

Placard vu de dessus

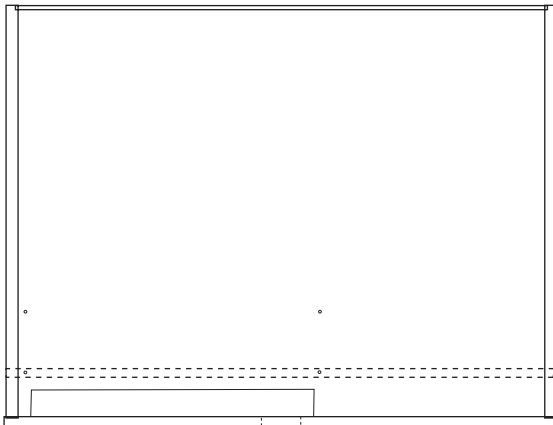


13. À l'aide d'un marteau, taper légèrement sur la pièce découpée du plancher du placard pour la faire tomber.

REMARQUE : Certains placards contiennent des broches, des clous ou des agrafes. D'autres utilisent de la colle pour fixer le plancher du placard à l'avant. Retirer les broches, clous ou agrafes éventuels à l'aide d'une pince et les jeter de manière adéquate.

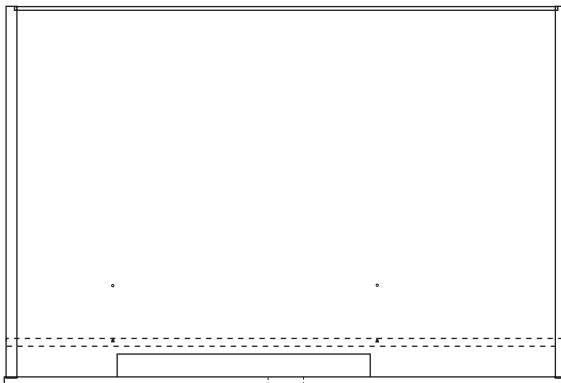
Placard inférieur de 30" (76,2 cm) avec ouverture évidée dans le plancher.

Placard vu de dessus



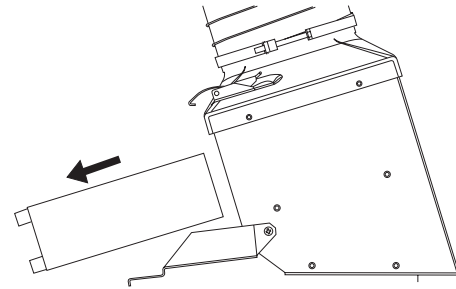
Placard inférieur de 36" (91,4 cm) avec ouverture évidée dans le plancher.

Placard vu de dessus



Assemblage du système de filtrage

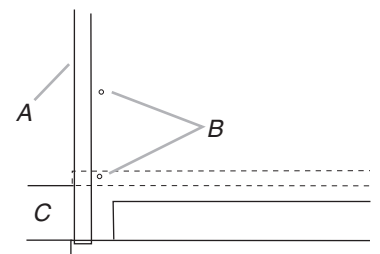
- Ouvrir les 2 attaches sur le dessus du raccord au ventilateur.
- Ouvrir la trappe d'accès au filtre.
- Retirer le filtre de son logement. Le filtre sera réinstallé à la fin de la procédure d'installation.



4. **Pour une installation dans un placard inférieur de 30" (76,2 cm) uniquement :**

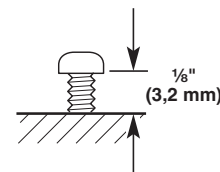
- a.) Placer les 2 vis noires n° 8 AB x 1/2" fournies dans les avant-trous du plancher du placard, près de la paroi gauche.

Placard vu de dessus



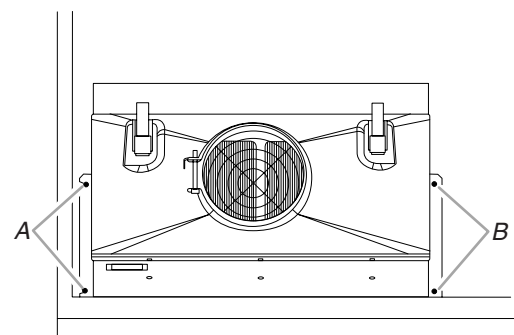
- A. Paroi gauche du placard
B. Avant-trous dans le plancher
C. Dégagement de la plinthe

- b.) Laisser un espace d'environ 1/8" (3,2 mm) entre le bas de la tête de vis et le plancher du placard.



- c.) Placer le logement du filtre dans la découpe du plancher du placard en plaçant la collerette à encoches de gauche sous les têtes de vis (A).
- d.) Visser 2 vis n° 8 AB x 1/2" (B) à travers les trous à droite du logement dans les avant-trous du plancher du placard et serrer.

Placard vu de dessus



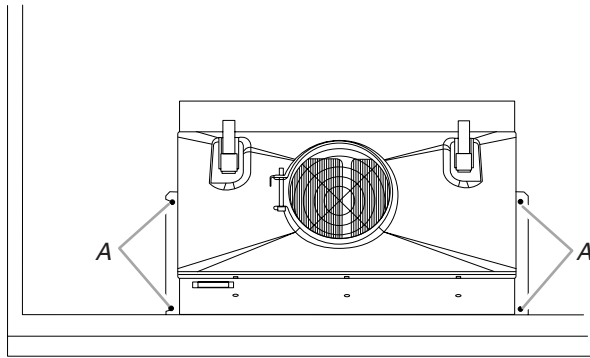
- A. Vis non serrées à gauche
B. Vis de droite

- e.) Serrer les 2 vis n° 8 AB x 1/2" à gauche (A).

Pour une installation dans un placard inférieur de 36" (91,4 cm) uniquement :

- a.) Placer le logement du filtre dans la découpe du plancher du placard, en alignant la collerette à encoches avec les avant-trous dans le plancher du placard.

Placard vu de dessus

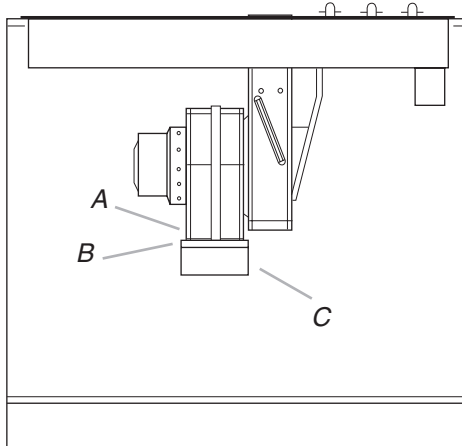


A. 4 vis n° 8 AB x 1/2"

- b.) Visser 4 vis n° 8 AB x 1/2" (A) à travers les trous ronds du logement dans les avant-trous du plancher du placard et serrer.

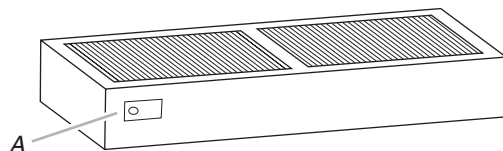
5. Fixer une extrémité du conduit flexible à la spirale d'échappement du ventilateur à l'aide d'une bride.

Vue avant du placard



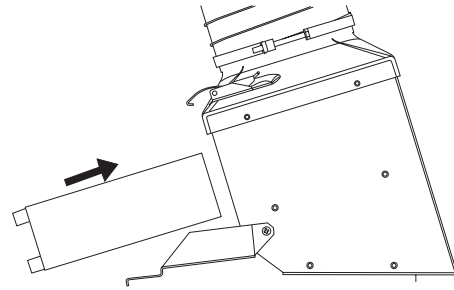
A. Spirale d'échappement du ventilateur
B. Bride
C. Conduit flexible

6. Fixer l'autre extrémité du conduit flexible au sommet du raccord du ventilateur à l'aide d'une bride.
7. Ôter le sac plastique protégeant le filtre et le jeter/recycler.
8. Activer l'indicateur Timestrip® en appuyant sur le bouton à l'avant du filtre.



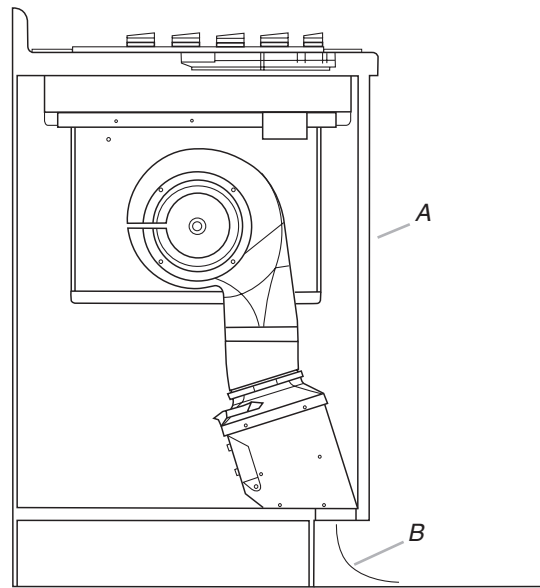
A. Indicateur de durée d'utilisation Timestrip®

9. Réinsérer le filtre dans son logement de sorte que l'indicateur Timestrip® soit visible par la fenêtre à l'avant du logement de filtre lorsque la porte du placard est ouverte.



10. Fermer la trappe d'accès au filtre et verrouiller les attaches sur le dessus du raccord du ventilateur.

Vue de l'installation terminée



A. Avant du placard
B. Flux de l'air évacué

Contrôle du fonctionnement

1. Régler le système d'évacuation par le bas sur le régime élevé (HI) et effectuer les vérifications suivantes :
- Contrôler qu'un souffle d'air sort par le dégagement de la plinthe.
 - Vérifier qu'il n'existe aucune fuite d'air autour des brides du conduit flexible.
2. Suivre les consignes de la fiche de test du débit fournie dans l'ensemble pour vérifier l'installation.

Entretien du système de filtrage

L'entretien du système de filtrage sans conduit Jenn-Air® est minimal entre les remplacements de filtre.

Le filtre est conçu pour durer 6 mois une fois l'indicateur Timestrip® activé. Vérifier l'indicateur Timestrip® toutes les semaines.

Le logement se nettoie avec un essuie-tout en papier et un nettoyant ménager ou un chiffon et de l'eau savonneuse tiède. Aucun nettoyant particulier n'est préconisé.

DÉPANNAGE

Absence de circulation d'air à la sortie du système par le dégagement de la plinthe du placard

Pour une installation au gaz :

AVERTISSEMENT



Risque de choc électrique

Brancher sur une prise à 3 alvéoles reliée à la terre.

Ne pas enlever la broche de liaison à la terre.

Ne pas utiliser un adaptateur.

Ne pas utiliser un câble de rallonge.

Le non-respect de ces instructions peut causer un décès, un incendie ou un choc électrique.

■ **Le cordon d'alimentation de la table de cuisson est-il débranché?**

Brancher le cordon d'alimentation de la table de cuisson dans une prise à 3 alvéoles reliée à la terre.

Pour une installation électrique :

■ **Le disjoncteur s'est-il déclenché ou un fusible est-il grillé?**

Réenclencher le disjoncteur ou remplacer le fusible.

Le ventilateur d'évacuation par le bas fixé à la table de cuisson crée un flux d'air qui circule vers le bas à travers le système sans conduit. Si la table de cuisson n'est reliée à aucune alimentation électrique, le système ne fonctionne pas.

■ **La fenêtre de l'indicateur Timestrip® est-elle rouge?**

Remplacer le filtre.

■ **Le sac en plastique a-t-il été ôté du filtre?**

Ôter le sac en plastique et le jeter/recycler.

■ **La trappe d'accès au filtre est-elle fermée et ses attaches sont-elles verrouillées?**

Fermer la trappe d'accès au filtre et verrouiller les attaches de la trappe.

W10439669A

© 2012.
All rights reserved.
Tous droits réservés.

©Registered Trademark/™Trademark of Jenn-Air, U.S.A. Used under license by Maytag Limited in Canada.
Timestrip(R) is a registered trademark of Timestrip Limited (UK). All other trademarks are owned by their respective companies.

©Marque déposée/™Marque de commerce de Jenn-Air, U.S.A. Emploi sous licence par Maytag Limited au Canada.
Timestrip(R) est une marque déposée de Timestrip Limited (UK). Toutes les autres marques de commerce appartiennent à leurs compagnies respectives.

1/12
Printed in U.S.A.
Imprimé aux É.-U.

Free Manuals Download Website

<http://myh66.com>

<http://usermanuals.us>

<http://www.somanuals.com>

<http://www.4manuals.cc>

<http://www.manual-lib.com>

<http://www.404manual.com>

<http://www.luxmanual.com>

<http://aubethermostatmanual.com>

Golf course search by state

<http://golfingnear.com>

Email search by domain

<http://emailbydomain.com>

Auto manuals search

<http://auto.somanuals.com>

TV manuals search

<http://tv.somanuals.com>