

JENN-AIR GAS COOKTOPS

USE & CARE GUIDE

TABLE OF CONTENTS

Important Safety Instructions	1-4
Using Your Cooktop	5-6
Care & Cleaning	7
Troubleshooting	8
Warranty & Service	9
Guide de l'utilisation et entretien	10
Guía de Uso y Cuidado	19



Installer: Please leave this manual with this appliance.

Consumer: Please read and keep this manual for future reference. Keep sales receipt and/or canceled check as proof of purchase.

Model Number _____

Serial Number _____

Date of Purchase _____

If you have questions, call:

Jenn-Air Customer Assistance

1-800-JENNAIR (1-800-536-6247)

1-800-688-2080 (U.S. TTY for hearing or speech impaired)
(Mon.-Fri., 8 am-8 pm Eastern Time)

Internet: <http://www.jennair.com>

In our continuing effort to improve the quality and performance of our cooking products, it may be necessary to make changes to the appliance without revising this guide.

For service information, see page 9.

IMPORTANT SAFETY INSTRUCTIONS

Warning and Important Safety Instructions appearing in this guide are not meant to cover all possible conditions and situations that may occur. Common sense, caution, and care must be exercised when installing, maintaining, or operating the appliance.

Always contact your dealer, distributor, service agent, or manufacturer about problems or conditions you do not understand.

Recognize Safety Symbols, Words, Labels

WARNING

WARNING – Hazards or unsafe practices which COULD result in severe personal injury or death.

CAUTION

CAUTION – Hazards or unsafe practices which COULD result in minor personal injury.

Read and follow all instructions before using this appliance to prevent the potential risk of fire, electric shock, personal injury or damage to the appliance as a result of improper usage of the appliance. Use appliance only for its intended purpose as described in this guide.

To ensure proper and safe operation: Appliance must be properly installed and grounded by a qualified technician. Do not attempt to adjust, repair, service, or replace any part of your appliance unless it is specifically recommended in this guide. All other servicing should be referred to a qualified servicer. Have the installer show you the location of the gas shut off valve and how to shut it off in an emergency.

Always disconnect power to appliance before servicing.

WARNING

If the information in this manual is not followed exactly, a fire or explosion may result causing property damage, personal injury or death.

- **Do not store or use gasoline or other flammable vapors and liquids in the vicinity of this or any appliance.**
- **IF YOU SMELL GAS:**
 - **Do not try to light any appliance.**
 - **Do not touch any electrical switch.**
 - **Do not use any phone in your building.**
 - **Immediately call your gas supplier from a neighbor's phone. Follow the gas supplier's instructions.**
 - **If you cannot reach your gas supplier, call the fire department.**
- **Installation and service must be performed by a qualified installer, service agency or the gas supplier.**

WARNING

Gas leaks may occur in your system and result in a dangerous situation. Gas leaks may not be detected by smell alone. Gas suppliers recommend you purchase and install an UL approved gas detector. Install and use in accordance with the manufacturer's instructions.

IMPORTANT SAFETY INSTRUCTIONS

To Prevent Fire or Smoke Damage

CAUTION

NEVER leave any items on the cooktop. The hot air may ignite flammable items and may increase pressure in closed containers which may cause them to burst.

Be sure all packing materials are removed from the appliance before operating it.

Keep area around appliance clear and free from combustible materials, gasoline, and other flammable vapors and materials.

If appliance is installed near a window, proper precautions should be taken to prevent curtains from blowing over burners.

Many aerosol-type spray cans are **EXPLOSIVE** when exposed to heat and may be highly flammable. Avoid their use or storage near an appliance.

Many plastics are vulnerable to heat. Keep plastics away from parts of the appliance that may become warm or hot. Do not leave plastic items on the cooktop as they may melt or soften if left too close to a lighted surface burner.

To eliminate the hazard of reaching over hot surface burners, cabinet storage should not be provided directly above a unit. If storage is provided, it should be limited to items which are used infrequently and which are safely stored in an area subjected to heat from an appliance. Temperatures may be unsafe for some items, such as volatile liquids, cleaners or aerosol sprays.

A faint gas odor may indicate a gas leak. If a gas odor is detected, shut off the gas supply to the cooktop. Call your installer or local gas company to have the possible leak checked. **Never use a match or other flame to locate a gas leak.**

In Case of Fire

Turn off appliance and ventilating hood to avoid spreading the flame. Extinguish flame then turn on hood to remove smoke and odor.

- Smother fire or flame in a pan with a lid or cookie sheet.
- **NEVER** pick up or move a flaming pan.

Do not use water on grease fires. Use baking soda, a dry chemical or foam-type extinguisher to smother fire or flame.

Child Safety

CAUTION

NEVER store items of interest to children in cabinets above an appliance. Children climbing on the appliance to reach items could be seriously injured.

NEVER leave children alone or unsupervised near the appliance when it is in use or is still hot.

NEVER allow children to sit or stand on any part of the appliance as they could be injured or burned.

Children must be taught that the appliance and utensils on it can be hot. Let hot utensils cool in a safe place, out of reach of small children. Children should be taught that an appliance is not a toy. Children should not be allowed to play with controls or other parts of the unit.

About Your Appliance

NEVER use appliance as a space heater to heat or warm a room to prevent potential hazard to the user and damage to the appliance. Also, do not use the cooktop as a storage area for food or cooking utensils.

Potentially hot surfaces include cooktop, and areas facing the cooktop.

NEVER use aluminum foil to line burner spillover area. Restriction of normal air flow may result in unsafe operation.

Cooking Safety

Always place a pan on a surface burner before turning it on. Be sure you know which knob controls which surface burner. Make sure the correct burner is turned on and that the burner has ignited. When cooking is completed, turn burner off before removing pan to prevent exposure to burner flame.

Always adjust surface burner flame so that it does not extend beyond the bottom edge of the pan. An excessive flame is hazardous, wastes energy and may damage the appliance, pan or cabinets above the appliance.

NEVER leave a surface cooking operation unattended especially when using a high heat setting or when deep fat frying. Boilovers cause smoking and greasy spillovers may ignite. Clean up greasy spills as soon as possible. Do not use high heat for extended cooking operations.

IMPORTANT SAFETY INSTRUCTIONS

NEVER heat an unopened container on the surface burner. Pressure build-up may cause container to burst resulting in serious personal injury or damage to the appliance.

Use dry, sturdy potholders. Damp potholders may cause burns from steam. Dish towels or other substitutes should never be used as potholders because they can trail across hot surface burners and ignite or get caught on appliance parts.

Always let quantities of hot fat used for deep fat frying cool before attempting to move or handle.

Do not let cooking grease or other flammable materials accumulate in or near the appliance, hood or vent fan. Clean hood frequently to prevent grease from accumulating on hood or filter. When flaming foods under the hood turn the fan on.

NEVER wear garments made of flammable material or loose fitting or long-sleeved apparel while cooking. Clothing may ignite or catch utensil handles.

Utensil Safety

Use pans with flat bottoms and handles that are easily grasped and stay cool. Avoid using unstable, warped, easily tipped or loose-handled pans. Also avoid using pans, especially small pans, with heavy handles as they could be unstable and easily tip. Pans that are heavy to move when filled with food may also be hazardous.

Be sure utensil is large enough to properly contain food and avoid boilovers. Pan size is particularly important in deep fat frying. Be sure pan will accommodate the volume of food that is to be added as well as the bubble action of fat.

To minimize burns, ignition of flammable materials and spillage due to unintentional contact with the utensil, do not extend handles over adjacent surface burners. Always turn pan handles toward the side or back of the appliance, not out into the room where they are easily hit or reached by small children.

Never let a pan boil dry as this could damage the utensil and the appliance.

Only certain types of glass, glass/ceramic, ceramic or glazed utensils are suitable for cooktop usage without breaking due to the sudden change in temperature. Follow manufacturer's instructions when using glass.

This appliance has been tested for safe performance using conventional cookware. Do not use any devices or accessories that are not specifically recommended in this guide. Do not use eyelid covers for the surface units or stovetop grills. The use of devices or accessories that are not expressly recommended in this manual can create serious safety hazards, result in performance problems, and reduce the life of the components of the appliance.

Cleaning Safety

Turn off all controls and wait for appliance parts to cool before touching or cleaning them. Do not touch the burner grates or surrounding areas until they have had sufficient time to cool.

Clean appliance with caution. Use care to avoid steam burns if a wet sponge or cloth is used to wipe spills on a hot surface. Some cleaners can produce noxious fumes if applied to a hot surface.

Important Safety Notice and Warning

The California Safe Drinking Water and Toxic Enforcement Act of 1986 (Proposition 65) requires the Governor of California to publish a list of substances known to the State of California to cause cancer or reproductive harm, and requires businesses to warn customers of potential exposures to such substances.

Users of this appliance are hereby warned that the burning of gas can result in low-level exposure to some of the listed substances, including benzene, formaldehyde and soot, due primarily to the incomplete combustion of natural gas or liquid petroleum (LP) fuels. Properly adjusted burners will minimize incomplete combustion. Exposure to these substances can also be minimized by properly venting the burners to the outdoors.

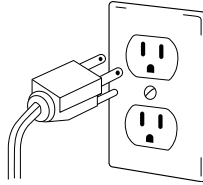
IMPORTANT NOTICE REGARDING PET BIRDS:

Never keep pet birds in the kitchen or in rooms where the fumes from the kitchen could reach. Birds have a very sensitive respiratory system. Fumes released during an oven self-cleaning cycle may be harmful or fatal to birds. Fumes released due to overheated cooking oil, fat, margarine and overheated non-stick cookware may be equally harmful.

IMPORTANT SAFETY INSTRUCTIONS

Electrical Connection

Appliances which require electrical power are equipped with a **three-prong grounding plug** which must be plugged directly into a properly grounded three-hole 120 volt electrical outlet.



Always disconnect power to appliance before servicing.

The three-prong grounding plug offers protection against shock hazards. **DO NOT CUT OR REMOVE THE THIRD GROUNDING PRONG FROM THE POWER CORD PLUG.**

If an ungrounded, two-hole or other type electrical outlet is encountered, **it is the personal responsibility of the appliance owner to have the outlet replaced with a properly grounded three-hole electrical outlet.**

Save These Instructions for Future Reference

USING YOUR COOKTOP

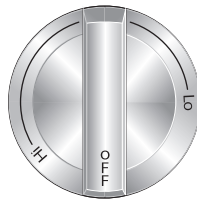
Surface Controls

⚠ CAUTION

- If flame should go out during a cooking operation, turn the burner off. If a strong gas odor is detected, open a window and wait five minutes before relighting the burner.
- Be sure all surface controls are set to the **OFF** position prior to supplying gas to the cooktop.
- **NEVER** touch cooktop until it has cooled. Expect some parts of the cooktop, especially around the burners, to become warm or hot during cooking. Use potholders to protect hands.

Surface Control Knobs

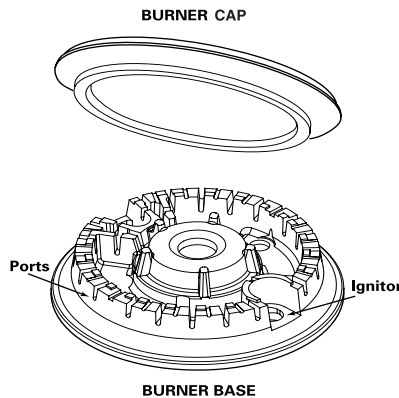
Use to turn on the surface burners. An infinite choice of heat settings is available from **Lo** to **Hi**. At the **Hi** setting a detent or notch may be felt.



Pilotless Ignition

Pilotless ignition eliminates the need for a constant standing pilot light. Each surface burner has a spark ignitor. Use care when cleaning around the surface burner.

If the surface burner does not light, check if ignitor is broken, soiled or wet.



Setting the Controls

Your cooktop has sealed gas burners with automatic re-ignition. If the burner flame should go out, the system will automatically spark to re-ignite the burner.

1. Place a pan on the burner grate. (To preserve the grate finish, do not operate the burners without a pan on the grate to absorb the heat from the burner flame.)
2. Push in knob and turn immediately counterclockwise to the desired setting.
 - A clicking (spark) sound will be heard and the burner will light. (All ignitors will spark when any surface burner knob is turned on. However, only the selected burner will light.)

Operating During a Power Failure

1. Hold a lighted match to the desired surface burner head.
2. Push in and turn the control knob slowly to the desired setting.

⚠ CAUTION

- When lighting the surface burners, be sure all of the controls are in the **OFF** position. Strike the match first and hold it in position before turning the knob.
- **Do not** leave the cooktop unattended when cooking during a power failure. The automatic re-ignition feature will not operate during a power failure.

Suggested Heat Settings

The size and type of cookware will affect the heat setting. For information on cookware and other factors affecting heat settings, refer to "Cooking Made Simple" booklet.

SETTINGS	USES
<p>Hi</p>	<p>Use Hi to bring liquid to a boil, or reach pressure in a pressure cooker. Always reduce setting to a lower heat when liquids begin to boil or foods begin to cook.</p> <p>An intermediate flame size is used to continue cooking. Food will not cook any faster when a higher flame setting is used than needed to maintain a gentle boil. Water boils at the same temperature whether boiling gently or vigorously.</p>
<p>Lo</p>	<p>Use Lo to simmer foods, keep foods warm and melt chocolate or butter.</p> <p>Some cooking may take place on the Lo setting if the pan is covered. It is possible to reduce the heat by rotating the knob toward OFF. Be sure flame is stable.</p>

CARE & CLEANING

Cleaning Procedures

CAUTION

- **Be sure appliance is off and all parts are cool before handling or cleaning. This is to avoid damage and possible burns.**
- To prevent staining or discoloration, clean appliance after each use.
- If a part is removed, be sure it is correctly replaced.

- * Brand names for cleaning products are registered trademarks of the respective manufacturers.
- ** To order direct, call 1-800-JENNAIR (1-800-536-6247).

PART	PROCEDURE
Removable Burner Caps	<ul style="list-style-type: none"> • Allow burner to cool. Remove burner cap and wash in soapy water with a plastic scouring pad. For stubborn soils, clean with a soap-filled, nonabrasive pad or Cooktop Cleaning Creme (Part #20000001)** and a sponge. • Do not clean in dishwasher or self-cleaning oven.
Sealed Gas Burner	<ul style="list-style-type: none"> • Clean frequently. Allow burner to cool. Clean with soap and plastic scouring pad. For stubborn soils, clean with a soap-filled, nonabrasive pad. • Be careful not to get water into the center of the burner. • Use care when cleaning the ignitor. If the ignitor is wet or damaged the surface burner will not light. • To ensure even cooking performance, keep burner ports free of food soils/debris.
Burner Grates	<ul style="list-style-type: none"> • Wash grates with warm, soapy water and a nonabrasive, plastic scrubbing pad. For stubborn soils, clean with a soap-filled, nonabrasive pad or a sponge and Cooktop Cleaning Creme (Part #20000001)** and a sponge. If soil remains, reapply Cooktop Cleaning Creme, cover with a damp paper towel and soak for 30 minutes. Scrub again, rinse and dry. • The grates are made of porcelain on cast iron and are very durable, however, they will gradually lose their shine and/or discolor. This is due to exposure to high temperatures from the gas flame. • Do not clean in dishwasher or self-cleaning oven.
Control Knobs	<ul style="list-style-type: none"> • Remove knobs in the OFF position by pulling up. • Wash, rinse and dry. Do not use abrasive cleaning agents as they may scratch the finish. • Turn on each burner to be sure the knobs have been correctly replaced.
Cooktop and Porcelain Enamel	<p>Porcelain enamel is glass fused on metal and may crack or chip with misuse. It is acid resistant, not acid proof. All spillovers, especially acidic or sugary spillovers, should be wiped up immediately with a dry cloth.</p> <ul style="list-style-type: none"> • When cool, wash with soapy water, rinse and dry. • Never wipe off a warm or hot surface with a damp cloth. This may cause cracking or chipping. • Never use oven cleaners, abrasive or caustic cleaning agents on exterior finish of range.
Cooktop-Stainless Steel (select models)	<ul style="list-style-type: none"> • DO NOT USE ANY CLEANING PRODUCT CONTAINING CHLORINE BLEACH. • ALWAYS WIPE WITH THE GRAIN WHEN CLEANING. • DO NOT USE ORANGE OR ABRASIVE CLEANERS. • Daily Cleaning/Light Soil -- Wipe with one of the following - soapy water, white vinegar/water solution, Formula 409 Glass and Surface Cleaner* or a similar glass cleaner - using a sponge or soft cloth. Rinse and dry. To polish and help prevent fingerprints, follow with Stainless Steel Magic Spray* (Part No. 20000008)**. • Moderate/Heavy Soil -- Wipe with one of the following - Bon Ami, Smart Cleanser, or Soft Scrub* - using a damp sponge or soft cloth. Rinse and dry. Stubborn soils may be removed with a damp multi-purpose Scotch-Brite* pad; rub evenly with the grain. Rinse and dry. To restore luster and remove streaks, follow with Stainless Steel Magic Spray*. • Discoloration -- Using a damp sponge or soft cloth, wipe with Cameo Stainless Steel Cleaner*. Rinse immediately and dry. To remove streaks and restore luster, follow with Stainless Steel Magic Spray*.

TROUBLESHOOTING

PROBLEM	SOLUTION
Surface burner fails to light.	<ul style="list-style-type: none">• Check to be sure plug is securely inserted into receptacle.• Check or re-set circuit breaker. Check or replace fuse.• Check power supply.• Check to be sure burner is correctly rated for your kind of gas.• Check to be sure burner ports or ignition ports are not clogged.• Check to be sure ignitor is dry and clicking. Burner will not light if ignitor is damaged, soiled or wet. If ignitor doesn't click, turn control knob OFF.• Check to be sure burner cap is correctly seated on the burner base.
Surface burner flame lifts off ports.	<ul style="list-style-type: none">• Check to be sure a pan is sitting on the grate above.• Contact an authorized Jenn-Air servicer.
The flame is uneven.	<ul style="list-style-type: none">• Burner ports may be clogged.• Flame may need to be adjusted. Contact an authorized Jenn-Air servicer.
Surface burner flame is yellow in color.	<ul style="list-style-type: none">• Some yellow tips on the flame are acceptable when using LP gas.• Contact an authorized Jenn-Air servicer.

WARRANTY & SERVICE

Full One Year Warranty - Parts and Labor

For **one (1) year** from the original retail purchase date, any part which fails in normal home use will be repaired or replaced free of charge.

Limited Warranties - Parts Only

Second Year - After the first year from the original purchase date, parts which fail in normal home use will be repaired or replaced free of charge for the part itself, with the owner paying all other costs, including labor, mileage, transportation, trip charge and diagnostic charge, if required.

Third Through Fifth Year - From the original purchase date, parts listed below which fail in normal home use will be repaired or replaced free of charge for the part itself, with the owner paying all other costs, including labor, mileage, transportation, trip charge and diagnostic charge, if required.

• Sealed Gas Burners

Canadian Residents

The above warranties only cover an appliance installed in Canada that has been certified or listed by appropriate test agencies for compliance to a National Standard of Canada unless the appliance was brought into Canada due to transfer of residence from the United States to Canada.

Limited Warranty Outside the United States and Canada - Parts Only

For two (2) years from the date of original retail purchase, any part which fails in normal home use will be repaired or replaced free of charge for the part itself, with the owner paying all other costs, including labor, mileage, transportation, trip charge and diagnostic charge, if required.

*The specific warranties expressed above are the **ONLY** warranties provided by the manufacturer. These warranties give you specific legal rights, and you may also have other rights which vary from state to state.*

What is Not Covered By These Warranties:

1. Conditions and damages resulting from any of the following:
 - a. Improper installation, delivery, or maintenance.
 - b. Any repair, modification, alteration, or adjustment not authorized by the manufacturer or an authorized servicer.
 - c. Misuse, abuse, accidents, or unreasonable use.
 - d. Incorrect electric current, voltage, or supply.
 - e. Improper setting of any control.
2. Warranties are void if the original serial numbers have been removed, altered, or cannot be readily determined.
3. Products purchased for commercial or industrial use.
4. The cost of service or service call to:
 - a. Correct installation errors.
 - b. Instruct the user on the proper use of the product.
 - c. Transport the appliance to the servicer.
5. Consequential or incidental damages sustained by any person as a result of any breach of these warranties. Some states do not allow the exclusion or limitation of consequential or incidental damages, so the above exclusion may not apply.

If You Need Service

- Call the dealer from whom your appliance was purchased or call Maytag ServicesSM, Jenn-Air Customer Assistance at 1-800-JENNAIR (1-800-536-6247) to locate an authorized servicer.
- Be sure to retain proof of purchase to verify warranty status. Refer to WARRANTY for further information on owner's responsibilities for warranty service.
- If the dealer or service company cannot resolve the problem, write to Maytag ServicesSM, Attn: CAIR[®] Center, P.O. Box 2370, Cleveland, TN 37320-2370, or call **1-800-JENNAIR (1-800-536-6247)**.

U.S. customers using TTY for deaf, hearing impaired or speech impaired, call 1-800-688-2080.
- User's guides, service manuals and parts information are available from Maytag ServicesSM, Jenn-Air Customer Assistance.

Notes

When writing or calling about a service problem, please include:

- a. Your name, address and telephone number;
- b. Model number and serial number;
- c. Name and address of your dealer or servicer;
- d. A clear description of the problem you are having;
- e. Proof of purchase (sales receipt).

SURFACE DE CUISSON À GAZ JENN-AIR

GUIDE D'UTILISATION ET D'ENTRETIEN

TABLE DES MATIÈRES

Instructions de sécurité importantes	11-14
Cuisson sur la surface	15-16
Nettoyage et Entretien	17
Recherche des pannes	18
Garantie et service après-vente	19
Guía de Uso y Cuidado	20

Installateur : Remettez ce guide au propriétaire.

Consommateur : Veuillez lire le guide et le conserver pour consultation ultérieure. Conservez la facture d'achat ou le chèque encaissé comme preuve de l'achat.

Numéro de modèle _____

Numéro de série _____

Date d'achat _____

Si vous avez des questions, veuillez nous appeler :

Service à la clientèle de Jenn-Air
1-800-JENNAIR (1-800-536-6247)

(lundi au vendredi, 8 h à 20 h, heure de l'Est)

Internet: <http://www.jennair.com>

Dans le cadre de nos pratiques d'amélioration constante de la qualité et de la performance de nos produits de cuisson, des modifications de l'appareil qui ne sont pas mentionnées dans ce guide ont pu être introduites.

Reportez-vous à la page 19 pour plus d'informations concernant le service après-vente.

INSTRUCTIONS DE SÉCURITÉ IMPORTANTES

Les instructions de sécurité importantes et les paragraphes « avertissement » de ce guide ne sont pas destinés à couvrir toutes les conditions et situations qui pourraient se présenter. Il faut faire preuve de bon sens, de prudence et de soin lors de l'installation, de l'entretien ou du fonctionnement de l'appareil.

Toujours prendre contact avec le détaillant, le distributeur, l'agent de service après-vente ou le fabricant dans le cas de problèmes ou de conditions qui ne seraient pas comprises.

Reconnaître les étiquettes, paragraphes et symboles sur la sécurité

AVERTISSEMENT

AVERTISSEMENT - Dangers ou pratiques dangereuses qui POURRAIENT résulter en de graves blessures ou même la mort.

ATTENTION

ATTENTION - Dangers ou pratiques dangereuses qui POURRAIENT résulter en des blessures mineures.

Lire toutes les instructions avant d'utiliser cet appareil; observer toutes les instructions pour éliminer les risques d'incendie, choc électrique, dommages matériels et corporels que pourrait susciter une utilisation incorrecte de l'appareil. Utiliser l'appareil uniquement pour les fonctions prévues, décrites dans ce guide.

Pour une utilisation adéquate et en sécurité, il faut que l'appareil soit convenablement installé par un technicien qualifié, et relié à la terre. Ne pas essayer de faire des réglages, des réparations, de l'entretien ou de remplacer une pièce quelconque de l'appareil à moins que cela ne soit spécifiquement recommandé dans ce guide. Tout autre entretien doit être exécuté par un préposé qualifié au service après-vente. Demander à l'installateur de montrer où se trouve le robinet d'arrêt de gaz et comment le fermer en cas d'urgence.

Toujours débrancher l'appareil avant d'y faire de l'entretien.

AVERTISSEMENT

Si les directives données dans le présent guide ne sont pas respectées à la lettre, il y a risque d'incendie ou d'explosion pouvant causer des dommages, des blessures et même la mort.

- **Ne pas ranger ni utiliser d'essence ou autre vapeur ou liquide inflammable à proximité de cet appareil ou de tout autre appareil.**
- **QUE FAIRE SI L'ON SENT UNE ODEUR DE GAZ :**
 - **Ne mettre aucun appareil en marche.**
 - **Ne pas toucher à un interrupteur électrique.**
 - **N'utiliser aucun téléphone de l'immeuble.**
 - **Se rendre chez un voisin et téléphoner immédiatement à la compagnie de gaz. Suivre les directives données par le préposé de la compagnie de gaz.**
 - **S'il est impossible de joindre la compagnie de gaz, téléphoner au service des incendies.**
- **L'installation et les réparations doivent être confiées à un installateur compétent, à une entreprise de service ou à la compagnie de gaz.**

AVERTISSEMENT

Une fuite de gaz pourrait survenir dans le système et susciter une situation dangereuse. L'odorat peut ne pas suffire pour détecter une fuite de gaz. Les fournisseurs de gaz recommandent l'installation d'un détecteur de gaz (homologation UL). Installer et utiliser le détecteur conformément aux instructions du fabricant.

INSTRUCTIONS DE SÉCURITÉ IMPORTANTES

Pour éviter un incendie ou des dommages de fumée



ATTENTION

NE JAMAIS laisser des articles sur la surface de cuisson. L'air chaud de l'événement peut les enflammer et mettre également sous pression des contenants fermés qui pourraient alors exploser.

S'assurer que tous les matériaux de conditionnement sont retirés de l'appareil avant de le mettre en marche.

Garder les matériaux combustibles, l'essence et autres matières et vapeurs inflammables bien éloignés de l'appareil.

Si l'appareil est installé près d'une fenêtre, des précautions appropriées doivent être prises pour éviter que le vent entraîne les rideaux au-dessus des brûleurs.

De nombreux flacons d'aérosol peuvent **EXPLOSER** lorsqu'on les expose à la chaleur, et ils peuvent contenir un produit très inflammable. Éviter d'utiliser ou remiser un flacon d'aérosol à proximité de l'appareil.

De nombreux articles en plastique peuvent être détériorés par la chaleur. Conserver les articles en plastique à distance des composants de l'appareil susceptibles de devenir tièdes ou chauds. Ne pas laisser des articles en plastique sur la surface de cuisson; un article en plastique trop proche de l'événement du four ou d'un brûleur allumé pourrait s'amollir ou fondre.

Pour éliminer le besoin d'atteindre quelque chose par-dessus les brûleurs de la surface de cuisson, il est préférable qu'il n'y ait aucune armoire de cuisine directement au-dessus de l'appareil. S'il y a une armoire, on ne devrait y remiser que des articles peu fréquemment utilisés et capables de résister à la chaleur émise par l'appareil. La température pourrait être excessive pour certains articles, comme liquides volatils, produits de nettoyage ou flacons d'aérosol.

Une faible odeur de gaz peut indiquer une fuite de gaz. Si l'on décèle une odeur de gaz, fermer l'arrivée de gaz à la surface de cuisson. Appeler l'installateur ou la compagnie de gaz de la région pour vérifier les fuites éventuelles. **Ne jamais identifier de fuite de gaz à l'aide d'une allumette ou d'une flamme.**

En cas d'incendie

Interrompre le fonctionnement de l'appareil et de la hotte de ventilation pour minimiser le risque d'extension des flammes. Éteindre les flammes, puis mettre la hotte en marche pour évacuer la fumée et l'air vicié.

- Utiliser un couvercle ou une plaque à biscuits pour étouffer les flammes d'un feu qui se déclare dans un ustensile de cuisine.
- **NE JAMAIS** saisir ou déplacer un ustensile de cuisine enflammé.

Ne pas projeter de l'eau sur un feu de graisse. Utiliser du bicarbonate de sodium, ou un extincteur à mousse ou à produit chimique sec pour éteindre les flammes.

Sécurité pour les enfants



ATTENTION

NE JAMAIS remiser dans une armoire au-dessus d'un appareil des articles auxquels les enfants peuvent s'intéresser. Un enfant tentant de grimper sur l'appareil pour atteindre un objet pourrait subir de graves blessures.

NE JAMAIS laisser des enfants seuls ou sans supervision lorsque l'appareil est en service ou chaud.

NE JAMAIS laisser un enfant s'asseoir ou se tenir sur une partie quelconque de l'appareil. Il pourrait se blesser ou se brûler.

Il est important d'enseigner aux enfants que la cuisinière et les ustensiles placés dessus ou dedans peuvent être chauds. Laisser refroidir les ustensiles en un lieu sûr, hors d'atteinte des enfants. Il est important d'enseigner aux enfants qu'un appareil ménager n'est pas un jouet, et qu'ils ne doivent toucher aucune commande ou autre composant de l'appareil.

Familiarisation avec l'appareil

NE JAMAIS utiliser l'appareil comme source de chaleur pour le chauffage de la pièce, pour éviter tout risque de dommages corporels et de détérioration de l'appareil. Ne pas remiser des aliments ou ustensiles de cuisine sur la surface de cuisson.

Surfaces potentiellement chaudes: surface de cuisson, zones faisant face à la surface de cuisson.

NE JAMAIS tapisser la zone d'éclaboussures autour des brûleurs avec du papier aluminium. La circulation de l'air pourrait être entravée, ce qui serait dangereux.

INSTRUCTIONS DE SÉCURITÉ IMPORTANTES

Cuisson et sécurité

Placer toujours un ustensile sur un brûleur de surface avant de l'allumer. Veiller à bien connaître la correspondance entre les boutons de commande et les brûleurs. Veiller à allumer le brûleur correct et vérifier que le brûleur s'allume effectivement. À la fin de la période de cuisson, éteindre le brûleur avant de retirer l'ustensile, pour éviter une exposition aux flammes du brûleur.

Veiller à toujours ajuster correctement la taille des flammes pour qu'elles ne dépassent pas sur la périphérie de l'ustensile. Des flammes de trop grande taille sur un brûleur sont dangereuses, elles suscitent un gaspillage d'énergie et elles peuvent faire subir des dommages à l'ustensile, à l'appareil ou à l'armoire située au-dessus.

NE JAMAIS laisser un brûleur de surface allumé sans surveillance, particulièrement avec une puissance de chauffage élevée ou lors d'une opération de friture. Un débordement pourrait provoquer la formation de fumée et des produits gras pourraient s'enflammer. Éliminer dès que possible les produits gras renversés. Ne pas utiliser une puissance de chauffage élevée pendant une période prolongée.

NE JAMAIS faire chauffer un récipient non ouvert dans le four ou sur un brûleur de surface; l'accumulation de pression dans le récipient pourrait provoquer son éclatement et de graves dommages matériels ou corporels.

Utiliser des maniques robustes et sèches. Des maniques humides peuvent provoquer la formation de vapeur brûlante. Ne jamais utiliser un torchon à vaisselle ou autre article textile à la place de maniques; un tel article pourrait traîner sur un brûleur et s'enflammer, ou accrocher un ustensile ou un composant de l'appareil.

Laisser toujours refroidir un récipient d'huile de friture chaude avant de tenter de le déplacer et le manipuler.

Ne pas laisser la graisse de cuisson ou autre matériau inflammable s'accumuler dans ou près de l'appareil, de la hotte ou du ventilateur de l'événement. Nettoyer fréquemment la hotte pour empêcher toute accumulation sur la hotte elle-même ou sur le filtre. Lors du flambage d'aliments sous la hotte, allumer le ventilateur.

NE JAMAIS porter lors de l'utilisation de l'appareil des vêtements faits d'un matériau inflammable, ou amples, ou à longues manches. De tels vêtements peuvent s'enflammer ou accrocher la poignée d'un ustensile.

Ustensiles et sécurité

Utiliser des ustensiles à fond plat comportant une poignée qu'on peut facilement saisir et qui reste froide. Éviter d'utiliser un ustensile instable ou déformé, qui pourrait facilement basculer, ou dont la poignée est mal fixée. Éviter également d'utiliser des ustensiles de petite taille comportant une poignée lourde; ces ustensiles sont généralement instables et peuvent facilement basculer. Un ustensile lourd lorsqu'il est rempli peut également être dangereux lors des manipulations.

Veiller à utiliser un ustensile de taille suffisante pour que le contenu ne risque pas de déborder. Ceci est particulièrement important pour un ustensile rempli d'huile de friture. Vérifier que la taille de l'ustensile est suffisante pour qu'il puisse recevoir les produits alimentaires à cuire, et absorber l'augmentation de volume suscitée par l'ébullition de la graisse.

Pour minimiser les risques de brûlure, d'inflammation de matières et de renversement par contact non intentionnel avec un ustensile, ne pas orienter la poignée d'un ustensile vers un brûleur adjacent; orienter toujours la poignée d'un ustensile vers le côté ou l'arrière de l'appareil; ne pas laisser non plus la poignée d'un ustensile déborder à l'avant de l'appareil, où un jeune enfant pourrait facilement la saisir.

Veiller à ne jamais laisser le contenu liquide d'un ustensile s'évaporer complètement; l'ustensile et l'appareil pourraient subir des dommages.

Seuls certains matériaux de verre, vitrocéramique, céramique, ou certains ustensiles vitrifiés/émaillés peuvent être utilisés sur la surface de cuisson ou dans le four sans risque de bris sous l'effet du choc thermique. Observer les instructions du fabricant lors de l'utilisation d'un ustensile de verre.

La sécurité de fonctionnement de cet appareil a été testée à l'aide d'ustensiles de cuisine conventionnels. Ne pas utiliser un ustensile ou accessoire qui n'est pas spécifiquement recommandé dans ce guide. Ne pas utiliser de couvre-brûleurs ou gril placé sur la surface de cuisson ou système de convection additionnel. L'utilisation d'un dispositif ou accessoire qui n'est pas expressément recommandé dans ce guide peut dégrader la sécurité de l'appareil ou sa performance, ou réduire la longévité des composants.

INSTRUCTIONS DE SÉCURITÉ IMPORTANTES

Nettoyage et sécurité

Éteindre tous les brûleurs et attendre le refroidissement de tous les composants avant de les toucher ou d'entreprendre le nettoyage. Ne pas toucher la grille d'un brûleur ou la zone voisine avant que ces composants aient pu refroidir suffisamment.

Exercer une grande prudence lors du nettoyage de l'appareil. Travailler prudemment pour éviter des brûlures par la vapeur en cas d'utilisation d'un chiffon ou d'une éponge humide lors de l'élimination d'un produit renversé sur une surface chaude. Certains produits de nettoyage peuvent générer des vapeurs nocives lorsqu'on les applique sur une surface chaude.

Avertissement et avis important pour la sécurité

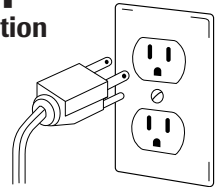
La loi californienne «Safe Drinking Water and Toxic Enforcement Act» de 1986 (proposition 65) stipule la publication par le gouverneur de la Californie d'une liste des substances que l'état de Californie considère comme cancérigènes ou dangereuses pour le système reproducteur, et impose aux entreprises commerciales l'obligation de signaler à leurs clients les risques d'exposition à de telles substances.

Nous informons les utilisateurs de cet appareil qu'ils peuvent être exposés à une faible concentration de certaines substances figurant dans la liste mentionnée ci-dessus, dont benzène, formaldéhyde et suie, du fait de la combustion incomplète du gaz naturel ou du gaz de pétrole liquéfié. Pour minimiser la combustion incomplète, veiller à ce que les brûleurs soient parfaitement réglés. Pour minimiser l'exposition à ces substances, veiller à bien évacuer les gaz de combustion à l'extérieur.

AVIS IMPORTANT - OISEAUX FAMILIERS: Les oiseaux ont un système respiratoire très sensible. Ne pas garder un oiseau familier dans la cuisine ou dans une pièce où il pourrait être exposé aux fumées. Les fumées émises durant une opération d'autonettoyage peuvent être dangereuses ou mortelles pour un oiseau, de même que les fumées émises lors du chauffage excessif de graisse, huile, margarine, par exemple dans un ustensile à garnissage anti-adhésion.

Raccordement électrique

Les appareils nécessitant une alimentation électrique comportent une fiche à trois broches mise à la terre qui doit être branchée directement dans une prise de 120 volts à trois cavités et correctement mise à la terre.



Toujours débrancher l'appareil avant d'y faire de l'entretien.

La fiche à trois broches mise à la terre fournit une protection contre les décharges électriques. **NE PAS COUPER NI ENLEVER LA BROCHE DE TERRE DU CORDON D'ALIMENTATION.**

Si la prise ne comporte que deux cavités, n'est pas mise à la terre ou n'est pas appropriée, **le propriétaire de l'appareil a la responsabilité de faire remplacer la prise par une prise à trois cavités correctement mise à la terre.**

Conserver ces instructions pour consultation ultérieure

CUISSON SUR LA SURFACE

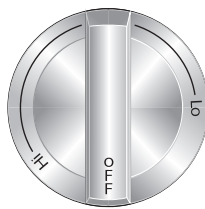
Commandes de la surface de cuisson

! ATTENTION

- Si un brûleur s'éteint durant une opération de cuisson, fermer l'arrivée de gaz au brûleur. Si une forte odeur de gaz est perceptible, ouvrir une fenêtre et attendre cinq minutes avant d'allumer de nouveau le brûleur.
- Avant d'ouvrir l'arrivée de gaz à la cuisinière, vérifier que chaque bouton de commande est à la position **OFF** (ARRÊT).
- **NE JAMAIS** toucher la surface de cuisson avant qu'elle se soit complètement refroidie. Certaines zones de la surface, particulièrement au voisinage des brûleurs, peuvent devenir très chaudes durant une cuisson. Utiliser des maniques.

Boutons de commande de la surface de cuisson

On utilise ces boutons pour commander l'allumage des brûleurs de surface. On peut régler chaque bouton à toute position entre les positions extrêmes **Lo** (min.) et **Hi** (max.). On peut percevoir une détente de calage à la position **Hi** (max.).



Allumage sans flamme de veille

Le système d'allumage sans flamme de veille rend inutile l'alimentation permanente d'une flamme de veille. Chaque brûleur de la table de cuisson est doté d'un allumeur à étincelles. Procéder avec prudence lors du nettoyage au voisinage d'un brûleur de la table de cuisson.

Si un brûleur de la table de cuisson ne s'allume pas, déterminer si l'allumeur est brisé, souillé ou mouillé.

Réglage des commandes

La surface de cuisson comporte des brûleurs scellés avec réallumage automatique. Si la flamme du brûleur venait à s'éteindre, le système produirait automatiquement des étincelles pour allumer de nouveau le brûleur.

1. Placer un ustensile sur la grille du brûleur. (Pour conserver le fini de la grille, ne pas allumer un brûleur sans ustensile sur la grille pour absorber la chaleur de la flamme.)
2. Appuyer sur le bouton et le tourner immédiatement à gauche, sur le réglage désiré.

- Un cliquetis (étincelle) s'entend et le brûleur s'allume. (Tous les allumeurs produisent des étincelles lorsqu'un bouton de commande, quel qu'il soit, est allumé. Cependant, seul le brûleur choisi va s'allumer.)

Utilisation durant une panne d'électricité

1. Approcher une allumette enflammée du brûleur à utiliser.
2. Appuyer sur le bouton et le tourner lentement jusqu'au réglage désiré.

! ATTENTION

- Avant d'allumer un brûleur de surface, vérifier que tous les boutons de commande sont à la position **OFF** (ARRÊT). Approcher l'allumette enflammée du brûleur avant de faire tourner le bouton.
- **Ne pas** laisser la surface de cuisson sans surveillance lors de cuisson pendant une panne d'électricité. Le dispositif automatique de réallumage ne fonctionne pas pendant une panne d'électricité.

Réglages suggérés

La puissance de chauffage à employer dépend du type et de la taille de l'ustensile utilisé. On trouve dans la brochure «La cuisson simplifiée» de l'information sur les ustensiles et autres facteurs affectant le réglage de la puissance de chauffage.

RÉGLAGES	UTILISATIONS
	Hi (max.) : Pour porter un liquide à ébullition ou atteindre la bonne pression dans un autocuiseur. Réduire ensuite la puissance de chauffage après le début de l'ébullition ou de la cuisson des aliments. Une puissance de chauffage intermédiaire est utilisée pour la poursuite de la cuisson. Les aliments ne cuisent pas plus rapidement si on utilise une puissance de chauffage plus élevée. Placer un ustensile sur la grille du brûleur.

NETTOYAGE ET ENTRETIEN

Méthodes de nettoyage

ATTENTION

- Avant toute manipulation ou opération de nettoyage, vérifier que l'appareil est arrêté et que tous les composants sont froids, afin d'éviter des dommages ou des brûlures.
- Pour éviter la formation de taches ou un changement de couleur, nettoyer l'appareil après chaque utilisation.
- Après tout démontage de composants, veiller à effectuer un remontage correct.

PIÈCES	NETTOYAGE
Retirez les chapeaux de brûleur	<ul style="list-style-type: none">• Laisser le brûleur refroidir. Retirez les chapeaux de brûleur et laver à l'eau savonneuse et avec un tampon récurer en plastique. Pour les taches rebelles, nettoyer avec un tampon non abrasif, rempli de savon ou avec une éponge et Cooktop Cleaning Creme* (pièce n° 20000001)**.• Ne pas nettoyer dans le lave-vaisselle ou le four autonettoyant.
Scellés de brûleur à gaz	<ul style="list-style-type: none">• Nettoyer fréquemment. Laisser le brûleur refroidir. Nettoyer avec du savon et un tampon à récurer de plastique. Pour des souillures tenaces, utiliser un produit de nettoyage non abrasif avec un chiffon.• Veiller à ne pas laisser de l'eau s'introduire dans le centre du brûleur.• Procéder prudemment lors du nettoyage de l'allumeur. Le brûleur ne s'allumera pas si l'allumeur est mouillé ou endommagé.• Pour assurer faire cuisson même l'exécution, maintenez les ports de brûleur exempts de la saletes de nourriture/ débris.
Grilles des brûleurs	<ul style="list-style-type: none">• Laver les grilles avec de l'eau savonneuse tiède et un tampon à récurer en plastique non abrasif. Pour les souillures tenaces, nettoyer avec un tampon en plastique non abrasif, savonneux, ou avec une éponge et une crème commerciale Cooktop Cleaning Creme* (produit n° 20000001)**. Si le sol reste, réappliquer la Cooktop Cleaning Creme, la couvrir de serviette de papier humide et l'imbibez pendant 30 minutes. Frotter encore, rincer et sécher.• Les grilles sont en fonte émaillée et sont très durables. Cependant, elles vont graduellement perdre leur brillant et se décolorer, par suite de leur exposition aux températures élevées de la flamme de gaz.• Ne pas laver les grilles dans le lave-vaisselle ou four autonettoyant.
Boutons de commande	<ul style="list-style-type: none">• Placer chaque bouton à la position d'ARRÊT, et retirer chaque bouton en haut.• Laver, rincer et faire sécher. Ne pas utiliser un agent de nettoyage abrasif susceptible de rayer la finition.• Allumer chaque brûleur pour vérifier que le bouton a été correctement réinstallé.
Surface de cuisson en émail vitrifié	<p>L'émail vitrifié est un matériau à base de verre fondu sur le métal, qui peut se fissurer ou s'écailler. La couche d'émail possède une certaine résistance aux composés acides, qui n'est pas illimitée. On doit éliminer immédiatement tout résidu de renversement avec un linge sec, particulièrement s'il s'agit de composés acides ou sucrés.</p> <ul style="list-style-type: none">• Sur une surface froide, laver avec de l'eau savonneuse, puis rincer et sécher.• Ne jamais essuyer une surface tiède ou chaude avec un linge humide; ceci pourrait provoquer fissuration ou écaillage.• Ne jamais utiliser sur la finition extérieure de la cuisinière un produit de nettoyage de four ou un produit de nettoyage abrasif ou caustique.
Surface de cuisson en acier inoxydable (certains modèles)	<ul style="list-style-type: none">• NE PAS UTILISER DE PRODUITS DE NETTOYAGE CONTENANT DU JAVELLISANT.• ESSUYER TOUJOURS DANS LE SENS DE L'ACIER LORS DU NETTOYAGE.• NE PAS UTILISER DE NETTOYANTS « ORANGE » OU ABRASIFS.• Nettoyage journalier/saleté légère – Essuyer avec l'un des produits suivants: eau savonneuse, vinaigre blanc/eau, produit de nettoyage pour verre et surface Formula 409* ou un produit semblable verre – avec un linge souple et une éponge. Rincer et sécher. Pour polir et enlever les marques de doigts, faire suivre par une vaporisation de produit Stainless Steel Magic Spray* (pièce n° 20000008)**.• Saleté modérée/épaisse – Essuyer avec l'un des produits suivants: Bon Ami, Smart Cleanser ou Soft Scrub* – à l'aide d'un linge souple ou d'une éponge humide. Rincer et sécher. Les taches rebelles peuvent être enlevées avec un tampon multi-usages Scotch-Brite* humidifié. Frotter uniformément dans le sens du métal. Rincer et sécher. Pour redonner du lustre et retirer les rayures, faire suivre par Stainless Steel Magic Spray.• Décoloration – À l'aide d'une éponge humide ou d'un linge souple, essuyer avec le Cameo Stainless Steel Cleaner*. Rincer immédiatement et sécher. Pour retirer les marques et redonner du lustre, faire suivre par Stainless Steel Magic Spray.

* Les noms de marque des produits de nettoyage sont des marques déposées des différents fabricants.

** Pour commander directement, composer le 1-800-JENNAIR (1-800-536-6247).

RECHERCHE DES PANNES

PROBLÈME	SOLUTION
Un brûleur de surface ne s'allume pas.	<ul style="list-style-type: none">• Vérifier que la fiche de branchement est correctement insérée dans la prise de courant.• Inspecter/réarmer le disjoncteur. Inspecter/remplacer les fusibles.• Contrôler la source d'alimentation électrique.• Vérifier que le brûleur correspond au type de gaz qui l'alimente.• Déterminer s'il y a une obstruction des orifices du brûleur ou de l'orifice situé directement sous l'allumeur.• Vérifier que l'allumeur est sec et qu'il émet des étincelles. Le brûleur ne peut s'allumer si l'allumeur est endommagé, souillé ou mouillé. Si l'allumeur ne génère pas d'étincelles, ramener le bouton de commande à la position OFF (ARRÊT).• Vérifier que la chapeau du brûleur est bien assise sur la base du brûleur.
Séparation entre les flammes et le brûleur.	<ul style="list-style-type: none">• Veiller à placer correctement l'ustensile sur la grille du brûleur.• Prendre contact avec un réparateur agréé Jenn-Air.
Flammes non uniformes.	<ul style="list-style-type: none">• Orifices du brûleur obstrués.• La flamme peut avoir à être réglée. Prendre contact avec un réparateur agréé Jenn-Air.
La flamme d'un brûleur de surface est jaune.	<ul style="list-style-type: none">• Quelques pointes jaunes sur la flamme sont acceptables avec le gaz de pétrole liquéfié.• Prendre contact avec un réparateur agréé Jenn-Air.

GARANTIE ET SERVICE APRÈS-VENTE

Ne sont pas couverts par ces garanties :

1. Les dommages ou dérangements dus à :
 - a. Mise en service, livraison ou entretien effectués incorrectement.
 - b. Toute réparation, modification, altération et tout réglage non autorisés par le fabricant ou par un prestataire de service après-vente agréé.
 - c. Accidents, mauvaise utilisation ou usage abusif ou déraisonnable.
 - d. Alimentation électrique (tension, intensité) incorrecte.
 - e. Réglage incorrect d'une commande.
2. Les garanties ne peuvent être honorées si les numéros de série d'origine ont été enlevés, modifiés ou ne sont pas facilement lisibles.
3. Appareils achetés aux fins d'usage commercial ou industriel.
4. Les frais de visite d'un prestataire de service ou de service après-vente encourus pour les raisons suivantes:
 - a. Correction d'erreurs de mise en service.
 - b. Initiation de l'utilisateur à l'emploi de l'appareil.
 - c. Transport de l'appareil aux locaux du prestataire de service.
5. Dommages secondaires ou indirects subis par toute personne suite au non-respect de ces garanties. Certains états ou provinces ne permettent pas l'exclusion ou la limitation des dommages secondaires ou indirects; par conséquent les limitations ou exclusions ci-dessus peuvent ne pas s'appliquer à votre cas.

Si l'intervention d'un réparateur est nécessaire

- Contacter le revendeur chez qui l'appareil a été acheté, ou contacter Maytag ServicesSM/service-client Jenn-Air au 1-800-JENNAIR (1-800-536-6247), pour obtenir les coordonnées d'une agence de service agréée.
- Veiller à conserver la facture d'achat pour justifier de la validité de la garantie. Pour d'autres informations en ce qui concerne les responsabilités du propriétaire à l'égard du service sous garantie, voir le texte de la GARANTIE.
- Si le revendeur ou l'agence de service après-vente ne peut résoudre le problème, écrire à Maytag ServicesSM, attention CAIR[®] Center, P.O. Box 2370, Cleveland, TN 37320-2370 ou téléphoner au **1-800-JENNAIR (1-800-536-6247)**.
- Les guides d'utilisation, les manuels de service et les renseignements des pièces sont disponibles auprès de Maytag ServicesSM, service-client Jenn-Air.

Remarques :

Lors de tout contact concernant un problème, fournir l'information suivante :

CUBIERTA DE ESTUFA A GAS JENN-AIR

GUÍA DE USO Y CUIDADO

TABLA DE MATERIAS

Instrucciones Importantes sobre Seguridad	21-24
Cocinando en la Cubierta	25-26
Cuidado y Limpieza	27
Localización y Solución de Averías	28
Garantía y Servicio	31

Instalador: Por favor deje esta guía junto con el electrodoméstico.

Consumidor: Por favor lea y conserve esta guía para referencia futura. Conserve el recibo de compra y/o el cheque cancelado como comprobante de compra.

Número de Modelo _____

Número de Serie _____

Fecha de Compra _____

Si tiene preguntas, llame a:

Jenn-Air Customer Assistance

1-800-JENNAIR (1-800-536-6247)

(Lunes a Viernes, 8:00 a.m. a 8:00 p.m. Hora del Este)

Internet: <http://www.jennair.com>

En nuestro continuo afán de mejorar la calidad y rendimiento de nuestros electrodomésticos, puede que sea necesario modificar el electrodoméstico sin actualizar esta guía.

Para información sobre servicio, ver página 31.

INSTRUCCIONES IMPORTANTES SOBRE SEGURIDAD

Las advertencias e instrucciones importantes sobre seguridad que aparecen en esta guía no están destinadas a cubrir todas las posibles circunstancias y situaciones que puedan ocurrir. Se debe ejercer sentido común, precaución y cuidado cuando instale, realice mantenimiento o haga funcionar el artefacto.

Siempre póngase en contacto con su distribuidor, agente de servicio o fabricante si surgen problemas o situaciones que usted no comprenda.

Reconozca los símbolos, advertencias, etiquetas de seguridad

ADVERTENCIA

ADVERTENCIA - Peligro o prácticas no seguras que PODRIAN causar lesión personal grave o mortal.

ATENCION

PRECAUCIÓN - Peligros o prácticas no seguras que PODRIAN causar lesión personal menos grave.

Lea y siga todas las instrucciones antes de usar este electrodoméstico para evitar el riesgo potencial de incendio, choque eléctrico, lesión personal o daño al electrodoméstico como resultado de su uso inapropiado. Utilice este electrodoméstico solamente para el propósito que ha sido destinado según se describe en esta guía.

Para asegurar funcionamiento correcto y seguro: El electrodoméstico debe ser instalado debidamente y puesto a tierra por un técnico calificado. No intente ajustar, reparar, prestar servicio o reparar ninguna pieza de su cubierta, a menos que sea específicamente recomendado en esta guía. Todas las reparaciones deben ser efectuadas por un técnico calificado. Pida al instalador que le indique la ubicación de la válvula de cierre del gas y como cerrarla en caso de una emergencia.

Siempre desenchufe el electrodoméstico antes de efectuar alguna reparación.

ADVERTENCIA

Si no se sigue estrictamente la información proporcionada en esta guía, se puede producir un incendio o una explosión, causando daños materiales, lesiones personales o mortales.

- **No almacene ni use gasolina ni otros vapores y líquidos inflamables en la vecindad de este electrodoméstico o de cualquier otro.**
- **QUE HACER SI PERCIBE OLORES A GAS:**
 - **No trate de encender ningún artefacto.**
 - **No toque ningún interruptor eléctrico.**
 - **No use ningún teléfono en su edificio.**
 - **Llame inmediatamente a su proveedor de gas desde el teléfono de un vecino. Siga las instrucciones proporcionadas por el proveedor de gas.**
 - **Si no puede localizar a su proveedor de gas, llame al cuerpo de bomberos.**
- **La instalación y reparaciones deben ser efectuadas por un técnico calificado, una agencia de reparaciones o el proveedor de gas.**

ADVERTENCIA

Puede ocurrir un escape de gas en su sistema y provocar una situación peligrosa. Los escapes de gas no pueden ser detectados por el olor solamente. Los proveedores de gas recomiendan que compre e instale un detector de gas aprobado por el laboratorio UL. Instálelo y úselo de acuerdo con las instrucciones del fabricante.

INSTRUCCIONES IMPORTANTES

SOBRE SEGURIDAD

Para Evitar un Incendio o Daño Causado por el Humo

ATENCION

NUNCA deje artículos sobre la cubierta. El aire caliente del respiradero puede encender los artículos inflamables y aumentar la presión en los envases cerrados hasta hacerlos reventar.

Asegúrese de que se hayan retirado todos los materiales de empaque del electrodoméstico antes de su uso.

Mantenga el área alrededor del electrodoméstico libre y exenta de materiales combustibles, gasolina u otros vapores y materiales inflamables.

Si el electrodoméstico es instalado cerca de una ventana, se debe tener cuidado para evitar que las cortinas pasen sobre los quemadores.

Muchos envases de tipo aerosol son EXPLOSIVOS cuando son expuestos al calor y pueden ser altamente inflamables. Evite su uso o su almacenamiento cerca del electrodoméstico.

Muchos plásticos son vulnerables al calor. Mantenga los plásticos alejados de las piezas de la cubierta que puedan estar tibias o calientes. No deje artículos de plástico sobre la cubierta pues se pueden derretir o ablandar si están demasiado cerca del respiradero o de un quemador superior encendido.

Para eliminar el riesgo de pasar sobre los quemadores superiores calientes, no se deben guardar artículos en los armarios que están directamente sobre la cubierta. Si tales armarios son usados para almacenamiento, debe limitarse a colocar artículos de uso poco frecuente y que pueden guardarse en forma segura en una área que está sujeta al calor proveniente de la cubierta. Las temperaturas pueden no ser apropiadas para algunos artículos, tales como artículos volátiles, limpiadores o sprays en aerosol.

Un débil olor a gas puede indicar un escape de gas. Si se detecta olor a gas, cierre el suministro de gas a la estufa. Llame a su instalador o a la compañía de gas local para que verifiquen la probable fuga de gas. **Nunca use un fósforo encendido ni ninguna otra llama para localizar un escape de gas.**

En Caso de Incendio

Apague el electrodoméstico y la campana de ventilación para evitar que las llamas se dispersen. Extinga las llamas luego encienda la campana para expulsar el humo y el olor.

- Apague el fuego o la llama en una sartén con una tapa o una bandeja de hornear.
- **NUNCA** levante o mueva una sartén en llamas.

No use agua en los incendios de grasa. Use bicarbonato de soda, un producto químico seco o un extinguidor del tipo con espuma para apagar un incendio o la llama.

Seguridad para los Niños

ATENCION

NUNCA almacene artículos de interés para los niños en los armarios que están sobre la cubierta o en el protector trasero de la cubierta. Los niños que se trepan en la puerta de la cubierta para alcanzar tales artículos pueden lesionarse seriamente.

NUNCA deja a los niños solos o sin supervisión cuando el electrodoméstico esté en uso o esté caliente.

NUNCA permita que los niños se sienten o se paren en ninguna parte del electrodoméstico pues se pueden lesionar o quemar.

Se les debe enseñar a los niños que el electrodoméstico y los utensilios que están en él o sobre él pueden estar calientes. Deje enfriar los utensilios calientes en un lugar seguro, fuera del alcance de los niños pequeños. Se les debe enseñar a los niños que un electrodoméstico no es un juguete. No se debe permitir que los niños jueguen con los controles u otras piezas de la cubierta.

Generalidades

NUNCA use el electrodoméstico como un calefactor para calentar o entibiar una habitación a fin de evitar un riesgo potencial para el usuario y dañar el electrodoméstico. Además, no use la cubierta como una área para almacenar alimentos o utensilios de cocina.

Las superficies potencialmente calientes incluyen la cubierta, las áreas dirigidas hacia la cubierta.

NUNCA use papel de aluminio para alinear áreas de spillover de los quemadores. La restricción del flujo de aire normal puede dar lugar a la operación insegura.

INSTRUCCIONES IMPORTANTES

SOBRE SEGURIDAD

Seguridad para Cocinar

Siempre coloque un utensilio en un quemador superior antes de encenderlo. Asegúrese de usar la perilla correcta que controla cada quemador superior. Asegúrese de encender el quemador correcto y comprobar de que en efecto el quemador haya sido encendido. Cuando haya terminado de cocinar, apague el quemador antes de retirar el utensilio para evitar exposición a la llama del quemador.

Siempre ajuste la llama del quemador superior de modo que no se extienda más allá del borde inferior del utensilio. Una llama excesiva es peligrosa, desperdicia energía y puede dañar la cubierta, el utensilio o los armarios que están sobre la cubierta.

NUNCA deje sin supervisión la cubierta cuando esté cocinando, especialmente cuando usa un ajuste de calor alto o cuando esté usando una freidora. Los derrames pueden producir humo y los derrames de grasa pueden inflamarse. Limpie los derrames grasosos tan pronto como sea posible. No use calor alto durante períodos de cocción prolongados.

NUNCA caliente un envase cerrado en el quemador superior o en el horno. La acumulación de presión puede hacer explotar el envase causando una lesión personal grave o daño a la cubierta.

Use toalla secas y gruesas. Los toallas húmedos pueden causar quemaduras a causa del vapor. Las toallas u otros sustitutos no deben ser usados como toalla porque ellos pueden quedar colgando a través de los quemadores superiores y encenderse o enredarse en las piezas de la cubierta.

Siempre deje enfriar la grasa caliente que se ha usado en la freidora antes de intentar mover o manipularla.

No permita que se acumule grasa u otros materiales inflamables en la cubierta o cerca de ella, en la campana o en el ventilador aspirador. Limpie la campana extractora con frecuencia para evitar que la grasa u otros materiales inflamables se acumulen en la campana o en el filtro. Encienda el ventilador cuando cocine alimentos flameados debajo la campana.

NUNCA use vestimentas de materiales inflamables, ropa suelta o de mangas largas cuando esté cocinando. La vestimenta se puede encender o enganchar en los mangos de los utensilios.

Utensilios Apropriados

Use sartenes con fondos planos y mangos que sean fáciles de tomar y que permanezcan fríos. Evite usar sartenes u ollas inestables, combadas que se pueden volcar fácilmente u ollas cuyos mangos estén sueltos. Además evite usar utensilios especialmente pequeños o sartenes con mangos pesados pues ellos pueden ser inestables y volcarse fácilmente. Los utensilios que son pesados de mover cuando están llenos con alimento pueden también ser un peligro.

Asegúrese de que el utensilio sea lo suficientemente grande como para contener en forma debida los alimentos y evitar derrames. El tamaño es particularmente importante cuando se utilizan freidoras. Asegúrese de que el utensilio tiene capacidad para el volumen de alimentos que se va a agregar al igual que para la formación de burbujas de la grasa.

Para reducir a un mínimo las quemaduras y que los materiales inflamables y los derrames se enciendan debidos a contacto no intencional con el utensilio, los mangos no deben extenderse sobre el quemador superior adyacente. Siempre gire los mangos de los utensilios hacia el lado o hacia la parte trasera de la cubierta, no hacia la habitación donde pueden ser fácilmente golpeados o alcanzados por los niños pequeños.

Nunca deje que un utensilio hierva hasta quedar seco pues esto puede dañar el utensilio y la cubierta.

Solamente ciertos tipos de utensilios de vidrio/cerámico, de cerámica o glaseados son convenientes para uso en la cubierta sin quebrarse debido al cambio repentino de temperatura. Siga las instrucciones del fabricante cuando use utensilios de vidrio.

Este electrodoméstico ha sido probado respecto a su rendimiento seguro usando utensilios de cocina convencionales. No use ningún dispositivo o accesorio que no haya sido específicamente recomendado en esta guía. No use tapas para cubrir los quemadores superiores, rejillas para la cubierta. El uso de dispositivos o accesorios que no son expresamente recomendados en esta guía, puede crear serios peligros de seguridad, resultar en problemas de rendimiento y reducir la vida útil de los componentes de la cubierta.

INSTRUCCIONES IMPORTANTES

SOBRE SEGURIDAD

Seguridad de la Limpieza

Apague todos los controles y espere que se enfríen las piezas de la cubierta antes de tocarlas o limpiarlas. No toque las rejillas de los quemadores o las áreas circundantes hasta que ellas no hayan tenido tiempo suficiente de enfriarse.

Limpie la cubierta con cuidado. Tenga cuidado para evitar quemaduras de vapor si se usa una esponja o un paño mojado para limpiar los derrames en una superficie caliente. Algunos limpiadores pueden producir vapores nocivos cuando se aplican a una superficie caliente.

Aviso y Advertencia Importante sobre Seguridad

La (Propuesta 65) de la Ley de 1986 del Estado de California sobre Seguridad y Contaminación del Agua Potable (California Safe Drinking Water and Toxic Enforcement Act of 1986) exige que el Gobernador de California publique una lista de las sustancias que según el Estado de California causan cáncer o daño al sistema reproductor y exige a las empresas que adviertan a sus clientes de la exposición potencial a tales sustancias.

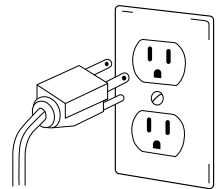
Se advierte a los usuarios de esta cubierta que la combustión del gas puede resultar en exposición de bajo nivel a algunas de las sustancias publicadas en la lista, incluyendo benceno, formaldehído y hollín, debido principalmente a la combustión incompleta del gas natural o de los combustibles de petróleo licuado. Los quemadores ajustados en forma debida reducirán la combustión incompleta. La exposición a estas sustancias puede también ser reducida a un mínimo ventilando los quemadores al exterior en forma adecuada.

AVISO IMPORTANTE RESPECTO A LOS PAJAROS

DOMESTICOS: Nunca mantenga a los pájaros domésticos en la cocina o en habitaciones hasta donde puedan llegar los humos de la cocina. Los pájaros tienen un sistema respiratorio muy sensitivo. Los humos producidos durante el ciclo de autolimpieza del horno pueden ser perjudiciales o mortales para los pájaros. Los humos que despiden el aceite de cocina, la grasa, la margarina al sobrecalentarse y la vajilla antiadherente sobrecalentada pueden también ser perjudiciales.

Conexión Eléctrica

Los electrodomésticos que requieren energía eléctrica están equipados con un enchufe de tres clavijas con conexión a tierra, el cual debe ser enchufado directamente en un tomacorriente eléctrico de tres agujeros, para 120 voltios debidamente conectado a tierra.



Siempre desenchufe el electrodoméstico antes de efectuar reparaciones.

El enchufe de tres clavijas con conexión a tierra ofrece protección contra peligros de choques eléctricos. **NO CORTE NI ELIMINE LA TERCERA CLAVIJA DE CONEXION A TIERRA DEL ENCHUFE DEL CORDON ELECTRICO.**

Si solamente se dispone de un tomacorriente sin conexión a tierra, de dos agujeros u otro tipo de tomacorriente eléctrico, **el propietario del electrodoméstico es personalmente responsable de reemplazar el tomacorriente con un tomacorriente eléctrico de tres agujeros debidamente puesto a tierra.**

Conserve estas instrucciones para referencia futura

COCINANDO EN LA CUBIERTA

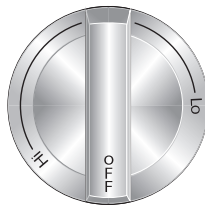
Controles Superiores

⚠ ATENCION

- Si la llama se apaga cuando esté cocinando, apague el quemador. Si se detecta un olor fuerte a gas, abra una ventana y espere cinco minutos antes de volver a encender el quemador.
- Asegúrese de que todos los controles superiores estén en la posición **'OFF'** (Apagado) antes de suministrar gas a la cubierta.
- **NUNCA** toque la superficie de la cubierta hasta que no se haya enfriado. Se espera de que algunas de las piezas de la superficie, especialmente alrededor de los elementos, se entibien o calienten mientras está cocinando. Use tomaollas para proteger sus manos.

Perillas de los Controles Superiores

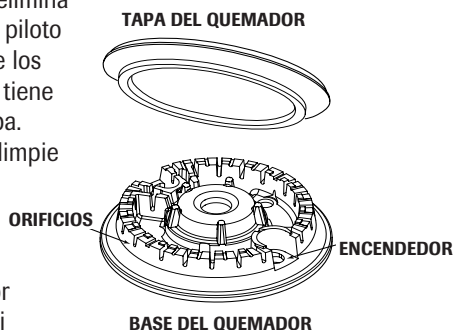
Se utilizan para encender los quemadores superiores. Se dispone de una selección infinita de ajustes de calor desde **'Lo'** a **'Hi'** (Bajo a Alto). En el ajuste **'Hi'** se puede sentir un tope o una muesca.



Encendido sin Piloto

El encendido sin piloto elimina la necesidad de una luz piloto constante. Cada uno de los quemadores superiores tiene un encendedor de chispa. Tenga cuidado cuando limpie alrededor de los quemadores superiores.

Si un quemador superior no enciende, verifique si el encendedor está roto, sucio o mojado.



Programación de los Controles

Su cubierta tiene quemadores de gas sellados con reencendido automático. Si la llama del quemador se apaga, el sistema automáticamente producirá una chispa para reencender el quemador.

1. Coloque un utensilio sobre la rejilla del quemador. (Para conservar el acabado de la rejilla, no haga funcionar los quemadores sin un utensilio sobre la rejilla para absorber el calor proveniente de la llama del quemador.)
2. Oprima la perilla y gire inmediatamente a la izquierda al ajuste deseado.

- Se escuchará un chasquido (chispa) y el quemador se encenderá. (Todos los encendedores producirán chispa cuando cualquier perilla de los quemadores superiores se enciende. Sin embargo, solamente el quemador seleccionado se encenderá.)

Funcionamiento Durante Una Interrupción de la Corriente Eléctrica

1. Acerque un fósforo encendido a la cabeza del quemador superior deseado.
2. Oprima y gire la perilla de control lentamente a la posición deseada.

⚠ ATENCION

- Cuando se encienden los quemadores superiores, asegúrese de que todas las perillas de control estén en la posición **"OFF"**. Primero encienda el fósforo y manténgalo en posición antes de girar la perilla.
- **No deje** desatendida la cubierta cuando cocine durante una interrupción de la corriente eléctrica. La característica de reencendido automático no funciona durante una interrupción de la corriente eléctrica.

Ajustes de Calor Sugeridos

El tamaño y tipo de los utensilios de cocina afectará el ajuste de la llama. Para información sobre los utensilios de cocina y otros factores que afectan los ajustes de la llama, consulte el folleto **"La Cocina Fácil"**.

AJUSTES	USOS
'Hi' (alto) 	<p>Se usa para hacer hervir un líquido o alcanzar la presión adecuada en una olla a presión. Siempre reduzca el ajuste a un calor más bajo cuando los líquidos comiencen a hervir o cuando los alimentos comiencen a cocinarse.</p> <p>Se usa una llama de tamaño intermedio para continuar cocinando. El alimento no se cocinará más rápido cuando se usa un ajuste de llama más alto que el necesario para mantener un hervor suave. El agua hierve a la misma temperatura si está hirviendo suavemente o vigorosamente.</p>
'Lo' (bajo) 	<p>Se usa para calentar alimentos a fuego lento, mantener los alimentos calientes y derretir chocolate o mantequilla.</p> <p>Se puede a veces cocinar en el ajuste "Lo" si el utensilio se tapa. Es posible reducir el calor girando la perilla hacia "OFF". Verifique que la llama sea estable.</p>

CUIDADO Y LIMPIEZA

Procedimientos de limpieza

ATENCION

- Asegúrese de que la estufa esté apagada y que todas las piezas estén frías antes de tocarla o limpiarla. Esto es para evitar daño y posibles quemaduras.
- Para evitar manchas o decoloración limpie la estufa después de cada uso.
- Si se retira alguna pieza, asegúrese de que la vuelve a colocar en la forma correcta.

PIEZA	PROCEDIMIENTO DE LIMPIEZA
Quitán Cabezas de los Quemadores	<ul style="list-style-type: none"> • Deje que el quemador se enfríen. Quitan casquillos de la hornilla y lave con agua jabonosa y una esponja de restregar de plástico. Limpie la suciedad rebelde con una esponja no abrasiva rellena con jabón y Cooktop Cleaning Creme (Crema para Limpiar Cubiertas), (Pieza #20000001)**. • No lave en la lavavajilla o en el horno autolimpiante.
Quemadores Sellados de Gas	<ul style="list-style-type: none"> • Limpie frecuentemente. Espere que el quemador se enfríe. Limpie con una esponja de fregar de plástico con jabón. Para la suciedad persistente, use un limpiador no abrasivo y un paño. • Tenga cuidado de que no entre agua en de los centros de los quemadores. • Tenga cuidado cuando limpie el encendedor. Si el encendedor está húmedo o dañado el quemador superior no encenderá. • Para asegurar incluso cocinar funcionamiento, mantenga los puertos de los quemadores libres suciedad del alimento/debris.
Rejillas de los Quemadores	<ul style="list-style-type: none"> • Lávelas con agua tibia jabonosa y una esponja de plástico no abrasiva. Para manchas rebeldes, limpie con una esponja de plástico rellena con jabón, no abrasiva o con Cooktop Cleaning Creme* (Crema para Limpieza de Cubiertas) (Pieza # 20000001) y una esponja. Si permanece el suelo, reaplique la Cooktop Cleaning Creme, cúbrala con una toalla de papel húmeda y empápela por 30 minutos. Friegue otra vez, enjuague y seque. • Las rejillas están hechas de porcelana sobre hierro forjado y son muy durables. Sin embargo, pueden perder sub brillo y/o se descolorarán. Esto se debe a su exposición a las alts temperaturas de la llama del gas. • No lave en la lavavajilla o en el horno autolimpiante.
Perillas de Control	<ul style="list-style-type: none"> • Retire las perillas cuando estén en la posición 'OFF' tirándolas hacia arriba. • Lave, enjuague y seque. No use agentes de limpieza abrasivos pues pueden rayar el acabado. • Encienda cada elemento para asegurarse de que las perillas han sido correctamente reinstaladas.
Cubierta - Porcelana Esmaltada	<p>La porcelana esmaltada es vidrio fusionado con metal y puede agrietarse o picarse con el mal uso. Es resistente al ácido pero no es a prueba de ácido. Todos los derrames especialmente los derrames ácidos o azucarados deben ser limpiados inmediatamente con un paño seco.</p> <ul style="list-style-type: none"> • Cuando esté fría, lave con agua jabonosa, enjuague y seque. • Nunca limpie la superficie caliente o tibia con un paño húmedo. Esto puede causar agrietamiento o picadura. • Nunca use limpiadores de horno, agentes de limpieza abrasivos o cáusticos en el acabado exterior de la cubierta.
Cubierta - Acero Inoxidable (modelos selectos)	<ul style="list-style-type: none"> • NO USE NINGUN PRODUCTO DE LIMPIEZA QUE CONTenga BLANQUEADOR A CASE DE CLORO. • SIEMPRE LIMPIE EL ACERO A FAVOR DEL GRANO. • NO USE LIMPIADORES "ORANGE" NI LIMPIADORES ABRASIVOS. • Limpieza Diaria/Suciedad Leve – Limpie con uno de los siguientes – agua con jabón, una solución de vinagre blanco con agua, limpiador para vidrio y cubiertas 'Formula 409'* o un limpiador similar para superficies vidrios – usando una esponja o un paño suave. Enjuague y seque. Para lustrar y evitar marcas de los dedos, use el producto 'Stainless Steel Magic Spray'* (Pieza No. 20000008)**. • Suciedad Moderada/Manchas Rebeldes – Limpie con uno de los siguientes – 'Bon Ami', 'Smart Cleanser' o 'Soft Scrub'* – usando una esponja húmeda o un paño suave. Enjuague y seque. Las manchas difíciles pueden ser quitadas con una esponja multi-uso 'Scotch-Brite'* húmeda; frote a favor del grano. Enjuague y seque. Para restaurar el lustre y sacar las vetas, aplique 'Stainless Steel Magic Spray'. • Decoloración – Usando una esponja mojada o un paño suave, limpie con limpiador para acero inoxidable 'Cameo Stainless Steel Cleaner'*. Enjuague inmediatamente y seque. Para sacar las vetas y restaurar el lustre, utilice 'Stainless Steel Magic Spray'.

* Los nombres de los productos son marcas registradas de sus respectivos fabricantes.

** Para pedidos directos, llame al 1-800-JENNAIR (1-800-536-6247).

LOCALIZACIÓN Y SOLUCIÓN DE AVERÍAS

PROBLEMA	SOLUCION
El quemador superior no se enciende.	<ul style="list-style-type: none">• Verifique si el enchufe está firmemente insertado en el tomacorriente.• Verifique o vuelva a reponer el disyuntor. Verifique o reemplace el fusible.• Verifique el suministro de energía eléctrica.• Asegúrese de que el quemador sea compatible con su clase de gas.• Verifique para asegurarse de que los orificios de los quemadores o los orificios del encendedor no estén obstruidos.• Verifique para asegurarse de que el encendedor esté seco y que emita chasquidos. El quemador no se encenderá si el encendedor está dañado, sucio o mojado. Si el encendedor no produce un chasquido, gire la perilla de control a la posición "OFF".• Asegúrese de que la tapa del quemador está correctamente asentada en la base del quemador.
La llama del quemador superior se levanta del orificio.	<ul style="list-style-type: none">• Verifique para asegurarse de que el utensilio está asentado en la parrilla sobre el quemador.• Póngase en contacto con un técnico autorizado de Jenn-Air.
La llama es dispareja.	<ul style="list-style-type: none">• Los orificios del quemador pueden estar obstruidos.• Puede que sea necesario ajustar la llama. Póngase en contacto con un técnico autorizado de Jenn-Air.
La llama del quemador superior es de color amarillo.	<ul style="list-style-type: none">• Algunas puntas amarillas en la llama son aceptables cuando se usa gas propano líquido.• Consulte a un técnico autorizado de Jenn-Air.

NOTAS

NOTAS

GARANTÍA Y SERVICIO

Garantía Completa de Un Año – Piezas y Mano de Obra

Durante **un (1) año** desde la fecha original de compra al por menor, se reparará o reemplazará gratuitamente cualquier pieza que falle durante uso normal en el hogar.

Garantías Limitadas – Piezas Solamente

Segundo Año - Después del primer año de la fecha original de compra, se reemplazará o reparará gratuitamente las piezas que fallen durante uso normal en el hogar en lo que respecta a las piezas y el propietario deberá pagar todos los otros costos incluyendo mano de obra, kilometraje/millaje, transporte, costo del viaje y costo del diagnóstico, si fuese necesario.

Desde el Tercero hasta el Quinto Año –

A partir de la fecha original de compra, se reparará o reemplazará gratuitamente las piezas indicadas a continuación que fallen durante uso normal en lo que respecta a las piezas y el propietario deberá pagar todos los otros costos incluyendo mano de obra, kilometraje/millaje, transporte, costo del viaje y costo del diagnóstico, si fuese necesario.

• Quemadores de Gas Sellados

Residentes Canadienses

Las garantías anteriores cubren solamente aquellos electrodomésticos instalados en Canadá que han sido certificados o aprobados por las agencias de pruebas correspondientes para cumplimiento con la Norma Nacional de Canadá a menos que el electrodoméstico haya sido traído a Canadá desde los EE.UU. debido a un cambio de residencia.

Garantía Limitada Fuera de los Estados Unidos y Canadá – Piezas Solamente

Durante dos (2) años de la fecha de compra original al por menor, cualquier pieza que falle durante uso normal en el hogar será reemplazada o reparada gratuitamente en lo que respecta a la pieza y el propietario deberá pagar todos los otros costos incluyendo mano de obra, kilometraje/millaje, transporte, costo del viaje y costo del diagnóstico, si fuese necesario.

*Las garantías específicas expresadas anteriormente son las **UNICAS** garantías provistas por el fabricante. Estas garantías le otorgan derechos legales específicos y usted puede tener además otros derechos que varían*

Lo que no cubren estas garantías

1. Situaciones y daños resultantes de cualquiera de las siguientes eventualidades:
 - a. Instalación, entrega o mantenimiento inapropiados.
 - b. Cualquier reparación, modificación, alteración o ajuste no autorizado por el fabricante o por un centro de servicio autorizado.
 - c. Mal uso, abuso, accidentes o uso irrazonable.
 - d. Corriente eléctrica, voltaje o suministro incorrecto.
 - e. Programación incorrecta de cualquiera de los controles.
2. Las garantías quedan nulas si los números de serie originales han sido retirados, alterados o no son fácilmente legibles.
3. Productos comprados para uso comercial o industrial.
4. El costo del servicio o llamada de servicio para:
 - a. Corregir errores de instalación.
 - b. Instruir al usuario sobre el uso correcto del artefacto.
 - c. Transporte del artefacto al establecimiento de servicio.
5. Los daños consecuentes o incidentales sufridos por cualquier persona como resultado del incumplimiento de esta garantía. En algunos estados no se permite la exclusión o limitación de daños consecuentes o incidentales, por lo tanto la limitación o exclusión anterior puede no aplicarse en su caso.

Si necesita servicio

- Llame al distribuidor donde compró su electrodoméstico o llame a Maytag ServicesSM, Jenn-Air Customer Assistance al 1-800-JENNAIR (1-800-536-6247) para ubicar a un técnico autorizado.
- Asegúrese de conservar el comprobante de compra para verificar el estado de la garantía. Consulte la sección sobre la GARANTIA para mayor información sobre las responsabilidades del propietario para servicio bajo la garantía.
- Si el distribuidor o la compañía de servicio no pueden resolver el problema, escriba a Maytag ServicesSM, Attn: CAIR[®], Center, P.O. Box 2370, Cleveland, TN 37320-2370 o llame al **1-800-JENNAIR (1-800-536-6247)**.
- Las guías del usuario, manuales de servicio e información sobre las piezas pueden solicitarse a Maytag ServicesSM, Jenn-Air Customer Assistance.

Notas :

Cuando llame o escriba acerca de un problema de servicio, por favor incluya la siguiente información.

- a. Su nombre, dirección y número de teléfono;
- b. Número de modelo y número de serie;
- c. Nombre y dirección de su distribuidor o técnico de servicio;
- d. Una descripción clara del problema que está experimentando;
- e. Comprobante de compra (recibo de compra).

Free Manuals Download Website

<http://myh66.com>

<http://usermanuals.us>

<http://www.somanuals.com>

<http://www.4manuals.cc>

<http://www.manual-lib.com>

<http://www.404manual.com>

<http://www.luxmanual.com>

<http://aubethermostatmanual.com>

Golf course search by state

<http://golfingnear.com>

Email search by domain

<http://emailbydomain.com>

Auto manuals search

<http://auto.somanuals.com>

TV manuals search

<http://tv.somanuals.com>