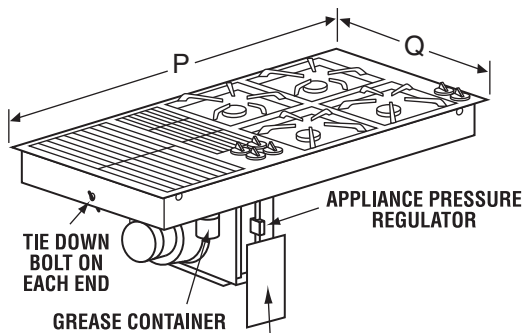


## PRODUCT DIMENSIONS

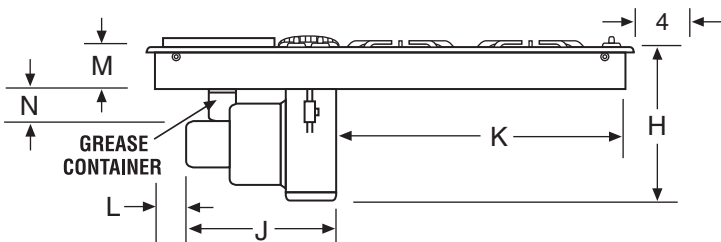
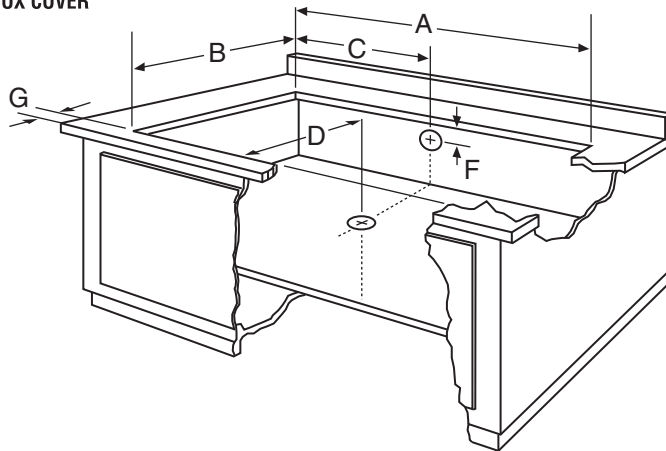
	INCHES	CENTIMETERS
A	29 ± 1/16	73.7 ± .2
B	21 ± 1/16	53.3 ± .2
C	9 3/8	23.8
D	7 9/16	19.2
F	13	33.0
G	1 7/8 min	4.8 min
H	13 11/16 min	34.8 min
J	13 3/4	34.9
K	11 7/8	30.2
L <sup>2</sup>	2 min	5.1 min
M	3 1/2	8.9
N <sup>3</sup>	6 1/4 min	15.9 min
P	30	76.2
Q	21 3/4	55.2

## MODEL SKUs

JGD8130ADB  
 JGD8130ADS  
 JGD8130ADW



BLOWER CAN BE SWIVELED 90°



Style of product may vary from picture

## NOTES:

1. Where possible, 6" (15.2 cm) is recommended for motor blower service. Minimum clearance of 1" (2.5 cm) is required to sidewalls and 3/4" (1.9cm) to rear wall.
2. Provide 2" minimum (5.1 cm) cabinet clearance to motor for cooling purpose.
3. Provide 6 1/4" minimum (15.9 cm) required for removal of (supplied) grease container(s). Installed dimension for (supplied) grease container(s) is 5 1/2" (14.0 cm)
4. Grills installed near a side wall must allow a minimum clearance of 6" (15.2 cm) between cooktop and side wall for maximum performance.
5. Vents up to 60 equivalent feet.
6. This appliance has been designed in accordance with the requirements of various safety agencies and comply with the maximum allowable wood cabinet temperatures of 194° F. If these appliances are installed with cabinets that have a lower working temperature than 194° F, discoloration, delamination or melting may occur.

**Electrical requirements:** Provide for 120/240 or 120/208 VAC, 60 Hz. The unit must be properly circuitprotected and wired according to local electrical codes.

## Free Manuals Download Website

<http://myh66.com>

<http://usermanuals.us>

<http://www.somanuals.com>

<http://www.4manuals.cc>

<http://www.manual-lib.com>

<http://www.404manual.com>

<http://www.luxmanual.com>

<http://aubethermostatmanual.com>

Golf course search by state

<http://golfingnear.com>

Email search by domain

<http://emailbydomain.com>

Auto manuals search

<http://auto.somanuals.com>

TV manuals search

<http://tv.somanuals.com>