

# JENN-AIR® GAS ON DOWNDRAFT COOKTOP

## TABLE DE CUISSON À GAZ À ASPIRATION PAR LE BAS JENN-AIR®

---

### Installation Instructions and Use & Care Guide

For questions about features, operation/performance, parts, accessories, or service in the U.S.A., call:  
**1-800-JENNAIR (1-800-536-6247)** or visit our website at **www.jennair.com**.  
In Canada, call: **1-800-807-6777**, or visit our website at **www.jennair.ca**.

---

### Instructions d'installation et Guide d'utilisation et d'entretien

Au Canada, pour assistance, installation ou service, composez le **1-800-807-6777** ou visitez notre site web à **www.jennair.ca**.

---

Table of Contents/Table des matières ..... 2

---



W10233478B

## TABLE OF CONTENTS

COOKTOP SAFETY .....	2
PARTS AND FEATURES .....	4
COOKTOP USE.....	5
Cooktop Controls .....	5
Sealed Surface Burners.....	5
Surface Grates .....	6
Downdraft Ventilation System .....	6
Home Canning .....	7
Cookware.....	7
COOKTOP CARE.....	7
General Cleaning .....	7
TROUBLESHOOTING .....	9
ASSISTANCE OR SERVICE .....	10
In the U.S.A. ....	10
Accessories.....	10
In Canada.....	10
WARRANTY .....	10

## TABLE DES MATIÈRES

SÉCURITÉ DE LA TABLE DE CUISSON .....	13
PIÈCES ET CARACTÉRISTIQUES .....	15
UTILISATION DE LA TABLE DE CUISSON.....	16
Commandes de la table de cuisson.....	16
Brûleurs de surface scellés .....	17
Grilles de surface .....	18
Système de ventilation avec aspiration par le bas.....	18
Préparation de conserves à la maison.....	18
Ustensiles de cuisson.....	18
ENTRETIEN DE LA TABLE DE CUISSON .....	19
Nettoyage général .....	19
DÉPANNAGE .....	21
ASSISTANCE OU SERVICE.....	22
Accessoires.....	22
Au Canada .....	22
GARANTIE.....	23

## COOKTOP SAFETY

### Your safety and the safety of others are very important.

We have provided many important safety messages in this manual and on your appliance. Always read and obey all safety messages.



This is the safety alert symbol.

This symbol alerts you to potential hazards that can kill or hurt you and others.

All safety messages will follow the safety alert symbol and either the word "DANGER" or "WARNING."

These words mean:

**! DANGER**

You can be killed or seriously injured if you don't immediately follow instructions.

**! WARNING**

You can be killed or seriously injured if you don't follow instructions.

All safety messages will tell you what the potential hazard is, tell you how to reduce the chance of injury, and tell you what can happen if the instructions are not followed.

**WARNING: If the information in this manual is not followed exactly, a fire or explosion may result causing property damage, personal injury or death.**

- Do not store or use gasoline or other flammable vapors and liquids in the vicinity of this or any other appliance.
- **WHAT TO DO IF YOU SMELL GAS:**
  - Do not try to light any appliance.
  - Do not touch any electrical switch.
  - Do not use any phone in your building.
  - Immediately call your gas supplier from a neighbor's phone. Follow the gas supplier's instructions.
  - If you cannot reach your gas supplier, call the fire department.
- Installation and service must be performed by a qualified installer, service agency or the gas supplier.

**WARNING:** Gas leaks cannot always be detected by smell.

Gas suppliers recommend that you use a gas detector approved by UL or CSA.

For more information, contact your gas supplier.

If a gas leak is detected, follow the "What to do if you smell gas" instructions.

## IMPORTANT SAFETY INSTRUCTIONS

**WARNING:** To reduce the risk of fire, electrical shock, injury to persons, or damage when using the cooktop, follow basic precautions, including the following:

- **WARNING:** NEVER use this appliance as a space heater to heat or warm the room. Doing so may result in carbon monoxide poisoning and overheating of the cooktop.
- **CAUTION:** Do not store items of interest to children in cabinets above the cooktop – children climbing on the cooktop to reach items could be seriously injured.
- Proper Installation – The cooktop, when installed, must be electrically grounded in accordance with local codes or, in the absence of local codes, with the *National Electrical Code, ANSI/NFPA70 or the Canadian Electrical Code, Part 1*. Be sure the cooktop is properly installed and grounded by a qualified technician.
- This cooktop is equipped with a three-prong grounding plug for your protection against shock hazard and should be plugged directly into a properly grounded receptacle. Do not cut or remove the grounding prong from this plug.
- Disconnect the electrical supply before servicing the cooktop.
- Injuries may result from the misuse of the cooktop such as stepping, leaning, or sitting on the top surface.
- Maintenance – Keep cooktop area clear and free from combustible materials, gasoline, and other flammable vapors and liquids.
- Storage on the cooktop – Flammable materials should not be stored on or near surface units.
- Top burner flame size should be adjusted so it does not extend beyond the edge of the cooking utensil.

## SAVE THESE INSTRUCTIONS

State of California Proposition 65 Warnings:

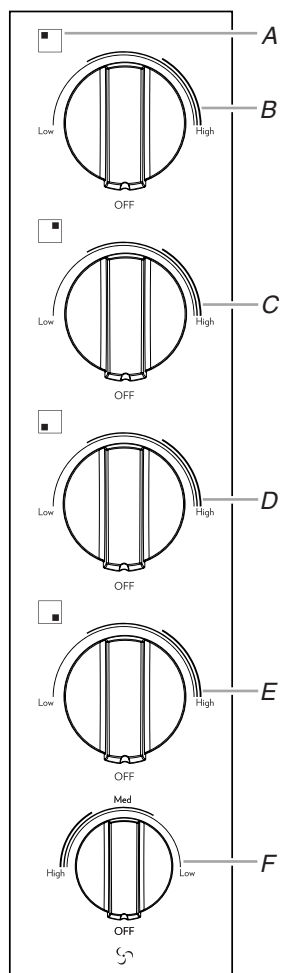
WARNING: This product contains a chemical known to the State of California to cause cancer.

WARNING: This product contains a chemical known to the State of California to cause birth defects or other reproductive harm.

# PARTS AND FEATURES

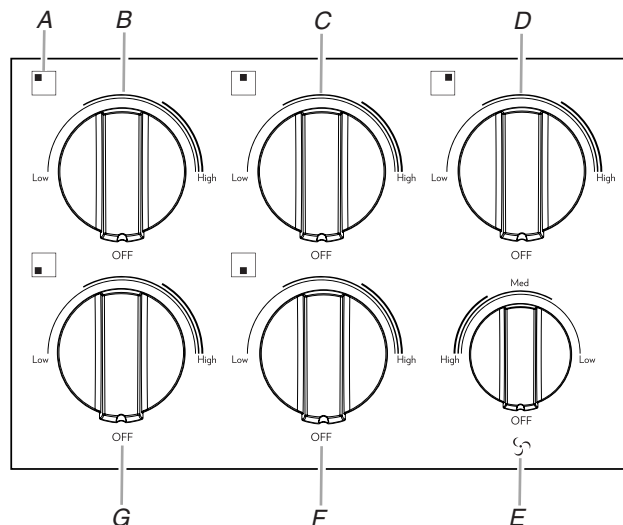
This manual covers different models. The cooktop you have purchased may have some or all of the items listed.

## 30" (76.2 cm) Control Panel



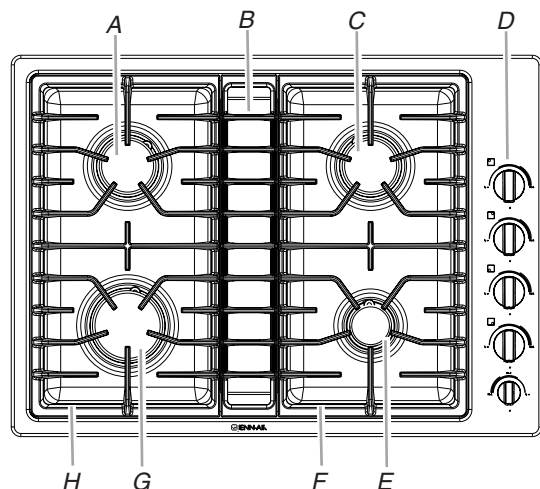
- A. Surface burner locator
- B. Left rear control knob
- C. Right rear control knob
- D. Left front control knob
- E. Right front control knob
- F. 3-speed vent fan control knob

## 36" (91.4 cm) Control Panel



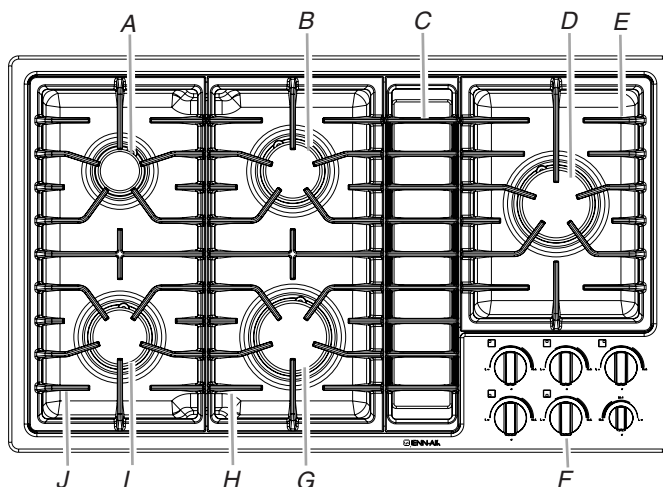
- A. Surface burner locator
- B. Left rear control knob
- C. Center rear control knob
- D. Right control knob
- E. 3-speed fan control knob
- F. Center front control knob
- G. Left front control knob

## 30" (76.2 cm) Cooktop



- A. Left rear 9,200 Btu/h burner
- B. Downdraft vent grille
- C. Right rear 12,500 Btu/h burner
- D. Control panel
- E. Right front 5,000 Btu/h burner
- F. Right side grate
- G. Left front 17,000 Btu/h burner
- H. Left side grate.

## 36" (91.4 cm) Cooktop



- A. Left rear 5,000 Btu/h burner
- B. Center rear 12,500 Btu/h burner
- C. Downdraft vent grille
- D. Right rear 17,000 Btu/h burner
- E. Right side grate
- F. Control panel
- G. Center front 15,000 Btu/h burner
- H. Center grate
- I. Left front 9,200 Btu/h burner
- J. Left side grate

## Optional Jenn-Air® Duct Free Filter Accessory Kit (For model numbers JGD3430 and JGD3536)

On select downdraft models, the Jenn-Air® Duct Free Filter Accessory Kit Part Number JDA7000WX is now available. The Jenn-Air® Duct Free Filter Accessory Kit is ideal for both new construction and kitchen renovation projects because it provides an easy alternative to the installation of metal ducting and venting in the downdraft system outside the home. The kit includes all required hardware, one filter and complete installation instructions. See the "Assistance or Service" section for information on ordering.

# COOKTOP USE

## Cooktop Controls

### **⚠ WARNING**



#### Fire Hazard

**Do not let the burner flame extend beyond the edge of the pan.**

**Turn off all controls when not cooking.**

**Failure to follow these instructions can result in death or fire.**

Electric igniters automatically light the surface burners when control knobs are turned to HIGH and will automatically reignite if the flame is extinguished. All igniters will spark when lighting; however, only the selected burner will ignite.

If a crossdraft is present, the flame may be affected and some sparking may occur. This is normal.

Before setting a control knob, place filled cookware on the grate. Do not operate a burner using empty cookware or without cookware on the grate.

#### To Set:

1. Push in and turn knob counterclockwise to HIGH.
2. Turn knob to anywhere between HIGH and LOW. Use the following chart as a guide when setting heat levels.

SETTING	RECOMMENDED USE
<b>HIGH</b>	<ul style="list-style-type: none"> <li>■ Start food cooking.</li> <li>■ Bring liquid to a boil.</li> <li>■ Hold a rapid boil.</li> <li>■ Quickly brown or sear food.</li> <li>■ To fry chicken.</li> </ul>
<b>Medium Between HIGH and LOW</b>	<ul style="list-style-type: none"> <li>■ Maintain a slow boil.</li> <li>■ Fry or sauté foods.</li> <li>■ Cook soups, sauces and gravies.</li> <li>■ Stew or steam food.</li> </ul>
<b>LOW</b>	<ul style="list-style-type: none"> <li>■ Simmer.</li> <li>■ Keep food warm.</li> </ul>

**REMEMBER:** When cooktop is in use, the entire cooktop area may become hot.

#### Power failure

In case of prolonged power failure, the surface burners can be lit manually. Hold a lit match near a burner and turn knob counterclockwise to HIGH. After burner lights, turn knob to setting. The vent fan will not work.

**NOTE:** The downdraft vent will not operate during a power failure.

#### Flame-Sensing™ Relgnition

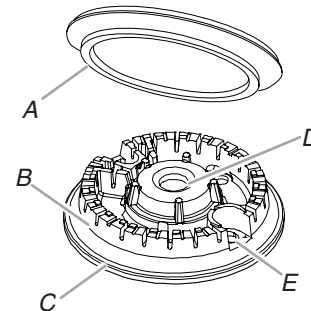
Your cooktop has sealed gas burners with Flame-Sensing™ Relgnition. If any burner flame should go out, the system will automatically spark to reignite the burner (all igniters will spark when any flame is extinguished; however, only the selected burner will reignite).

If intermittent sparking occurs, increase flame (rotate knob clockwise) until clicking (spark) sound ceases.

#### Smart Port Burner System

This cooktop is equipped with a Smart Port Burner System. The Smart Port Burner System produces a small flame directly under each grate finger and a larger flame between each grate finger. The visual difference between the ports will be noticeable when the burner is used or when adjustments are made to the flame length.

### Sealed Surface Burners

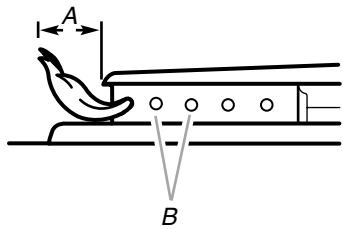


- A. Burner cap
- B. Burner ports
- C. Burner base
- D. Gas tube opening
- E. Igniter head

**IMPORTANT:** Do not obstruct the flow of combustion and ventilation air around the burner grate edges.

**Burner cap:** Always keep the burner cap and head in place when using a surface burner. A clean burner cap and head will help prevent poor ignition and uneven flames. Always clean the burner cap and head after a spillover and routinely remove and clean the caps according to the "General Cleaning" section.

**Gas tube opening:** Gas must flow freely throughout the gas tube opening for the burner to light properly. Keep this area free of soil and do not allow spills, food, cleaning agents or any other material to enter the gas tube opening. Keep spillovers out of the gas tube opening by always using a burner cap.



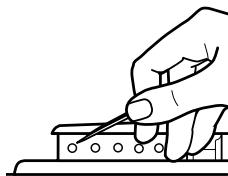
A. 1-1½" (25-38 mm)  
B. Burner ports

**Burner ports:** Check burner flames occasionally for proper size and shape as shown above. A good flame is blue in color, not yellow. Keep this area free of soil and do not allow spills, food, cleaning agents or any other material to enter the burner ports.

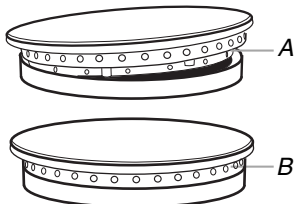
#### To Clean:

**IMPORTANT:** Before cleaning, make sure all controls are off and cooktop is cool. Do not use oven cleaners, bleach or rust removers.

1. Remove the burner cap and head from the burner base and clean according to "General Cleaning" section.
2. Clean the gas tube opening with a damp cloth.
3. Clean clogged burner ports with a straight pin as shown. Do not enlarge or distort the port. Do not use a wooden toothpick.



4. Replace the burner cap and head, making sure the alignment tab and notch are properly aligned with the burner cap.



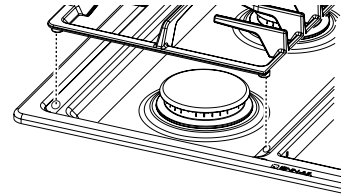
A. Incorrect  
B. Correct

5. Turn on the burner. If the burner does not light, check burner head alignment. If the burner still does not light, do not service the burner yourself. Contact a trained repair specialist.

## Surface Grates

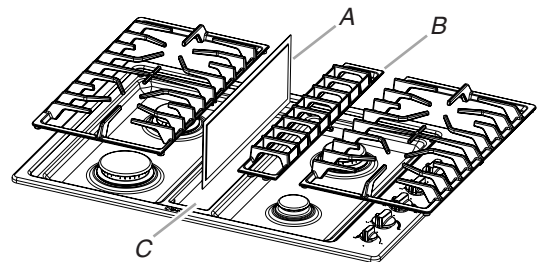
The grates must be properly positioned before cooking. In the proper position the grates should be flush and level. Improper installation of the grates may result in chipping or scratching of the cooktop.

To ensure proper positioning, align bumpers on grate bottom with the indentations in the cooktop. See cooktop illustrations in the "Parts and Features" section for proper grate positioning.



Although the burner grates are durable, they will gradually lose their shine and/or discolor due to the high temperatures of the gas flame.

## Downdraft Ventilation System



A. Removable grease filter  
B. Downdraft grate  
C. Filter support tray (non-removable)

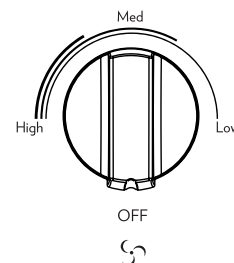
The built-in downdraft ventilation system removes cooking vapors, odors and smoke from foods prepared on the cooktop.

**IMPORTANT:** For optimal performance, operate downdraft ventilation system with the filter properly installed.

To avoid the buildup of grease, the filter should be cleaned often. For more information on proper filter placement and cleaning, see "Downdraft Ventilation System" in the "General Cleaning" section.

#### To Use:

Turn vent fan knob to LOW, MED (medium) or HIGH. Turn vent fan knob to OFF when finished cooking, or when the cooktop is not in use.



---

## Home Canning

When canning for long periods, alternate the use of surface burners between batches. This allows time for the most recently used areas to cool.

- Center the canner on the grate.
  - Do not place canner on 2 surface burners at the same time.
  - For more information, contact your local agricultural department. Companies that manufacture home canning products can also offer assistance.
- 

## Cookware

**IMPORTANT:** Do not leave empty cookware on a hot surface cooking area, element or surface burner.

Ideal cookware should have a flat bottom, straight sides, and a well-fitting lid and the material should be of medium-to-heavy thickness.

Rough finishes may scratch the cooktop. Aluminum and copper may be used as a core or base in cookware. However, when used as a base they can leave permanent marks on the cooktop or grates.

Cookware material is a factor in how quickly and evenly heat is transferred, which affects cooking results. A nonstick finish has the same characteristics as its base material. For example, aluminum cookware with a nonstick finish will take on the properties of aluminum.

Use the following chart as a guide for cookware material characteristics.

COOKWARE	CHARACTERISTICS
<b>Aluminum</b>	<ul style="list-style-type: none"><li>■ Heats quickly and evenly.</li><li>■ Suitable for all types of cooking.</li><li>■ Medium or heavy thickness is best for most cooking tasks.</li></ul>
<b>Cast iron</b>	<ul style="list-style-type: none"><li>■ Heats slowly and evenly.</li><li>■ Good for browning and frying.</li><li>■ Maintains heat for slow cooking.</li></ul>
<b>Ceramic or Ceramic glass</b>	<ul style="list-style-type: none"><li>■ Follow manufacturer's instructions.</li><li>■ Heats slowly, but unevenly.</li><li>■ Ideal results on low to medium heat settings.</li></ul>
<b>Copper</b>	<ul style="list-style-type: none"><li>■ Heats very quickly and evenly.</li></ul>
<b>Earthenware</b>	<ul style="list-style-type: none"><li>■ Follow manufacturer's instructions.</li><li>■ Use on low heat settings.</li></ul>
<b>Porcelain enamel-on-steel or cast iron</b>	<ul style="list-style-type: none"><li>■ See stainless steel or cast iron.</li></ul>
<b>Stainless steel</b>	<ul style="list-style-type: none"><li>■ Heats quickly, but unevenly.</li><li>■ A core or base of aluminum or copper on stainless steel provides even heating.</li></ul>

---

---

## COOKTOP CARE

---

### General Cleaning

**IMPORTANT:** Before cleaning, make sure all controls are off and the cooktop is cool. Always follow label instructions on cleaning products.

Soap, water and a soft cloth or sponge are suggested first unless otherwise noted.

---

### EXTERIOR PORCELAIN ENAMEL SURFACES (on some models)

---

Food spills containing acids, such as vinegar and tomato, should be cleaned as soon as the entire appliance is cool. These spills may affect the finish.

#### Cleaning Method:

- Glass cleaner, mild liquid cleaner or nonabrasive scrubbing pad.
- All Purpose Appliance Cleaner Part Number 31682 (not included):

See "Assistance or Service" section to order.

---

### STAINLESS STEEL

---

To avoid damage to stainless steel surfaces, do not use soap-filled scouring pads, abrasive cleaners, cooktop cleaner, steel-wool pads, gritty washcloths or abrasive paper towels.

Rub in direction of grain to avoid damaging.

#### Cleaning Method:

- Stainless Steel Cleaner and Polish Part Number 31462 (not included):

See "Assistance or Service" section to order.

- Liquid detergent or all-purpose cleaner:  
Rinse with clean water and dry with soft, lint-free cloth.
  - Vinegar for hard water spots
- 

### COOKTOP CONTROLS

---

To avoid damage to the cooktop controls, do not use steel wool, abrasive cleansers or oven cleaner.

To avoid damage, do not soak knobs.

When replacing knobs, make sure knobs are in the Off position.

On some models, do not remove seals under knobs.

#### Cleaning Method:

- Soap and water:

Pull knobs straight away from control panel to remove.

---

### CONTROL PANEL

---

To avoid damage to the control panel, do not use abrasive cleaners, steel-wool pads, gritty washcloths or abrasive paper towels.

#### Cleaning Method:

- Glass cleaner and soft cloth or sponge:

Apply glass cleaner to soft cloth or sponge, not directly on panel.

- All Purpose Appliance Cleaner Part Number 31682 (not included):

See "Assistance or Service" section to order.

---

---

## PORCELAIN-COATED GRATES AND CAPS

---

Food spills containing acids, such as vinegar and tomato, should be cleaned as soon as the cooktop, grates and caps are cool. These spills may affect the finish.

To avoid chipping, do not bang grates and caps against each other or hard surfaces such as cast iron cookware.

Do not reassemble caps on burners while wet.

### Cleaning Method:

- Nonabrasive plastic scrubbing pad and mildly abrasive cleanser:  
Clean as soon as cooktop, grates and caps are cool.
- Dishwasher (grates only, not caps):  
Use the most aggressive cycle.
- Gas Grate and Drip Pan Cleaner Part Number 31617 (not included):  
See "Assistance or Service" section to order.

---

## SURFACE BURNERS AND ELECTRONIC IGNITER

---

### Surface Burners

See "Sealed Surface Burners" section.

### Electronic Igniter

#### Cleaning Method:

- Clean the stainless steel igniter washer using a nonabrasive scouring pad. Clean ceramic post with a cotton swab:  
All Purpose Appliance Cleaner Part Number 31682 (not included):  
See "Assistance or Service" section to order.

---

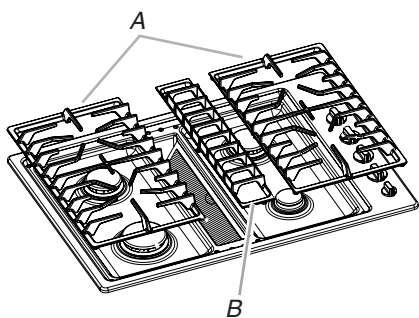
## DOWNDRAFT VENTILATION SYSTEM

---

### Vent Grate

#### Cleaning Method:

- Remove left and right burner grates from the cooktop, then lift off the vent grate.



A. Burner grates  
B. Vent grate

- Wipe clean or wash in sink:  
Nonabrasive plastic scrubbing pad and mildly abrasive cleanser
- Dishwasher:  
Use mild detergent.

### Removable Grease Filter

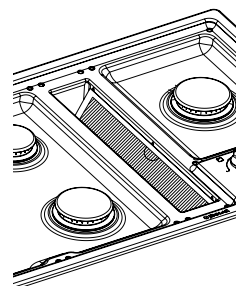
The filter is a permanent type and should be cleaned when soiled.

#### Cleaning Method:

- Turn off the downdraft ventilation system before removing the filter.
- Remove burner grates, then vent grate and lift the filter out of the vent chamber.
- Clean the filter in the sink with warm water and detergent or in the dishwasher.
- Replace the filter.

The filter should always be placed at an angle. As you face the front of the range, the top of the filter should rest against the right side of the vent opening. The bottom of the filter should rest against the left side of the vent chamber at the bottom.

If the filter is flat against the fan wall, ventilation effectiveness will be reduced.



### Ventilation Chamber

The ventilation chamber, which houses the filter, should be cleaned in the event of spills or when it becomes coated with a film of grease.

#### Cleaning Method:

- Mild household detergent or cleanser and paper towel, damp cloth or sponge:  
Apply detergent or cleanser to paper towel, damp cloth or sponge, not directly to the ventilation chamber.

### Optional Jenn-Air® Duct Free Replacement Filter

The Jenn-Air® Duct Free Replacement Filter Cartridge Part Number JDA8000WX is designed for six months of normal cooking activity. The filter cartridge is not designed to be cleaned or reused and must be changed when indicated by the TimeStrip®. Downdraft performance will be reduced if the filter is not changed when recommended by the TimeStrip®. See the "Assistance or Service" section for information on ordering.



# TROUBLESHOOTING

Try the solutions suggested here first in order to avoid the cost of an unnecessary service call.

## Nothing will operate

### **⚠ WARNING**



#### Electrical Shock Hazard

Plug into a grounded 3 prong outlet.

Do not remove ground prong.

Do not use an adapter.

Do not use an extension cord.

Failure to follow these instructions can result in death, fire, or electrical shock.

- **Is the power supply cord unplugged?**  
Plug into a grounded 3 prong outlet.
- **Has a household fuse blown, or has a circuit breaker tripped?**  
Replace the fuse or reset the circuit breaker. If the problem continues, call an electrician.

## Surface burners will not operate

- **Is this the first time the surface burners have been used?**  
Turn on any one of the surface burner knobs to release air from the gas lines.
- **Is the control knob set correctly?**  
Push in knob before turning to a setting.
- **Are the burner ports clogged?**  
See "Sealed Surface Burners" section.

## Surface burner flames are uneven, yellow and/or noisy

- **Are the burner ports clogged?**  
See "Sealed Surface Burners" section.
- **Are the burner caps and heads positioned properly?**  
See "Sealed Surface Burners" section.
- **Is propane gas being used?**  
The cooktop may have been converted improperly. Contact a service technician or see "Assistance or Service" section.

## Surface burner makes popping noises

- **Is the burner wet?**  
Let it dry.

## Continuous sparking of igniter

- **Is a cross draft drawing the flame away from the igniter?**  
This is normal when a cross draft is present.
- **Is the power supply cord properly grounded/polarized?**  
See the Installation Instructions.
- **Is the burner cap and head positioned properly?**  
See "Sealed Surface Burners" section.

## Excessive heat around cookware on cooktop

- **Is the cookware the proper size?**  
Use cookware about the same size as the surface cooking area, element or surface burner. Cookware should not extend more than 1/2" (1.3 cm) outside the cooking area.

## Cooktop cooking results not what expected

- **Is the proper cookware being used?**  
See "Cookware" section.
- **Is the control knob set to the proper heat level?**  
See "Cooktop Controls" section.
- **Is the cooktop level?**  
Level the cooktop. See the Installation Instructions.

---

# ASSISTANCE OR SERVICE

---

Before calling for assistance or service, please check "Troubleshooting." It may save you the cost of a service call. If you still need help, follow the instructions below.

When calling, please know the purchase date and the complete model and serial number of your appliance. This information will help us to better respond to your request.

---

## In the U.S.A.

### If the problem is not due to one of the items listed in the "Troubleshooting" section...

Call the dealer from whom your appliance was purchased, or call Jenn-Air at **1-800-JENNAIR (1-800-536-6247)** to locate an authorized service company. When calling, please know the purchase date and the complete model and serial number of your appliance. Be sure to retain proof of purchase to verify warranty status.

If the dealer or service company cannot resolve your problem, write to:

Jenn-Air Brand Home Appliances  
Customer eXperience Center  
553 Benson Road  
Benton Harbor, MI 49022-2692

Web address: [www.jennair.com](http://www.jennair.com)

Or call: **1-800-JENNAIR (1-800-536-6247)**

U.S. customers using TTY for deaf, hearing impaired or speech impaired, call: **1-800-688-2080**.

**NOTE:** When writing or calling about a service problem, please include the following information:

1. Your name, address and daytime telephone number.
2. Appliance model number and serial number.
3. Name and address of your dealer or servicer.
4. A clear description of the problem you are having.
5. Proof of purchase (sales receipt).

User's guides, service manuals and parts information are available from Jenn-Air Brand Home Appliances, Customer eXperience Center.

---

## Accessories

### Stainless Steel Cleaner and Polish

(stainless steel models)

Order Part Number 31462

### All-Purpose Appliance Cleaner

Order Part Number 31682

### Replacement Grease Filter

Order Part Number W10240990

### Optional Jenn-Air® Duct Free Filter Accessory Kit

(for models JGD3430 and JGD3536)

Order Part Number JDA7000WX

### Optional Jenn-Air® Duct Free Replacement Filter

Order Part Number JDA8000WX

---

## In Canada

### If the problem is not due to one of the items listed in the "Troubleshooting" section...

Call the dealer from whom your appliance was purchased, or call Jenn-Air at **1-800-807-6777** to locate an authorized service company. When calling, please know the purchase date and the complete model and serial number of your appliance. Be sure to retain proof of purchase to verify warranty status.

If the dealer or service company cannot resolve your problem, write to:

Jenn-Air Brand Home Appliances  
Customer eXperience Centre  
1901 Minnesota Court  
Mississauga, ON L5N 3A7

Web address: [www.jennair.ca](http://www.jennair.ca)

Or call: **1-800-807-6777**.

**NOTE:** When writing or calling about a service problem, please include the following information:

1. Your name, address and daytime telephone number.
2. Appliance model number and serial number.
3. Name and address of your dealer or servicer.
4. A clear description of the problem you are having.
5. Proof of purchase (sales receipt).

User's guides, service manuals and parts information are available from Jenn-Air Brand Home Appliances, Customer eXperience Centre.

# JENN-AIR® COOKING APPLIANCE WARRANTY

## LIMITED WARRANTY

For one year from the date of purchase, when this major appliance is operated and maintained according to instructions attached to or furnished with the product, Jenn-Air brand of Whirlpool Corporation or Whirlpool Canada LP (hereafter "Jenn-Air") will pay for factory specified parts and repair labor to correct defects in materials or workmanship. Service must be provided by a Jenn-Air designated service company. This limited warranty is valid only in the United States or Canada and applies only when the major appliance is used in the country in which it was purchased. Outside the 50 United States and Canada, this limited warranty does not apply. Proof of original purchase date is required to obtain service under this limited warranty.

## SECOND THROUGH FIFTH YEAR LIMITED WARRANTY ON CERTAIN COMPONENT PARTS

In the second through fifth years from the date of purchase, when this appliance is operated and maintained according to instructions attached to or furnished with the product, Jenn-Air will pay for factory specified parts for the following components (if applicable to the product) if defective in materials or workmanship:

- Electric element
- Touch Pad and microprocessor
- Glass ceramic cooktop: if due to thermal breakage
- Electronic controls
- Magnetron tube
- Sealed gas burners

## ITEMS EXCLUDED FROM WARRANTY

**This limited warranty does not cover:**

1. Service calls to correct the installation of your major appliance, to instruct you on how to use your major appliance, to replace or repair house fuses, or to correct house wiring or plumbing.
2. Service calls to repair or replace appliance light bulbs, air filters or water filters. Consumable parts are excluded from warranty coverage.
3. Repairs when your major appliance is used for other than normal, single-family household use or when it is used in a manner that is contrary to published user or operator instructions and/or installation instructions.
4. Damage resulting from accident, alteration, misuse, abuse, fire, flood, acts of God, improper installation, installation not in accordance with electrical or plumbing codes, or use of consumables or cleaning products not approved by Jenn-Air.
5. Cosmetic damage, including scratches, dents, chips or other damage to the finish of your major appliance, unless such damage results from defects in materials or workmanship and is reported to Jenn-Air within 30 days from the date of purchase.
6. Any food loss due to refrigerator or freezer product failures.
7. Costs associated with the removal from your home of your major appliance for repairs. This major appliance is designed to be repaired in the home and only in-home service is covered by this warranty.
8. Repairs to parts or systems resulting from unauthorized modifications made to the appliance.
9. Expenses for travel and transportation for product service if your major appliance is located in a remote area where service by an authorized Jenn-Air servicer is not available.
10. The removal and reinstallation of your major appliance if it is installed in an inaccessible location or is not installed in accordance with published installation instructions.
11. Major appliances with original model/serial numbers that have been removed, altered or cannot be easily determined. This warranty is void if the factory applied serial number has been altered or removed from your major appliance.

The cost of repair or replacement under these excluded circumstances shall be borne by the customer.

## DISCLAIMER OF IMPLIED WARRANTIES; LIMITATION OF REMEDIES

CUSTOMER'S SOLE AND EXCLUSIVE REMEDY UNDER THIS LIMITED WARRANTY SHALL BE PRODUCT REPAIR AS PROVIDED HEREIN. IMPLIED WARRANTIES, INCLUDING WARRANTIES OF MERCHANTABILITY OR FITNESS FOR A PARTICULAR PURPOSE, ARE LIMITED TO ONE YEAR OR THE SHORTEST PERIOD ALLOWED BY LAW. JENN-AIR SHALL NOT BE LIABLE FOR INCIDENTAL OR CONSEQUENTIAL DAMAGES. SOME STATES AND PROVINCES DO NOT ALLOW THE EXCLUSION OR LIMITATION OF INCIDENTAL OR CONSEQUENTIAL DAMAGES, OR LIMITATIONS ON THE DURATION OF IMPLIED WARRANTIES OF MERCHANTABILITY OR FITNESS, SO THESE EXCLUSIONS OR LIMITATIONS MAY NOT APPLY TO YOU. THIS WARRANTY GIVES YOU SPECIFIC LEGAL RIGHTS, AND YOU MAY ALSO HAVE OTHER RIGHTS WHICH VARY FROM STATE TO STATE OR PROVINCE TO PROVINCE.

If outside the 50 United States and Canada, contact your authorized Jenn-Air dealer to determine if another warranty applies.

If you need service, first see the "Troubleshooting" section of the Use & Care Guide. After checking "Troubleshooting," you may find additional help by checking the "Assistance or Service" section or by calling Jenn-Air. In the U.S.A., call **1-800-536-6247**. In Canada, call **1-800-807-6777**.

6/09

**Keep this book and your sales slip together for future reference. You must provide proof of purchase or installation date for in-warranty service.**

Write down the following information about your major appliance to better help you obtain assistance or service if you ever need it. You will need to know your complete model number and serial number. You can find this information on the model and serial number label located on the product.

Dealer name \_\_\_\_\_  
Address \_\_\_\_\_  
Phone number \_\_\_\_\_  
Model number \_\_\_\_\_  
Serial number \_\_\_\_\_  
Purchase date \_\_\_\_\_

---

## Notes

# SÉCURITÉ DE LA TABLE DE CUISSON

## Votre sécurité et celle des autres est très importante.

Nous donnons de nombreux messages de sécurité importants dans ce manuel et sur votre appareil ménager. Assurez-vous de toujours lire tous les messages de sécurité et de vous y conformer.



Voici le symbole d'alerte de sécurité.

Ce symbole d'alerte de sécurité vous signale les dangers potentiels de décès et de blessures graves à vous et à d'autres.

Tous les messages de sécurité suivront le symbole d'alerte de sécurité et le mot "DANGER" ou "AVERTISSEMENT". Ces mots signifient :

**! DANGER**

Risque possible de décès ou de blessure grave si vous ne suivez pas immédiatement les instructions.

**! AVERTISSEMENT**

Risque possible de décès ou de blessure grave si vous ne suivez pas les instructions.

Tous les messages de sécurité vous diront quel est le danger potentiel et vous disent comment réduire le risque de blessure et ce qui peut se produire en cas de non-respect des instructions.

**AVERTISSEMENT : Si les renseignements dans ce manuel ne sont pas exactement observés, un incendie ou une explosion peut survenir, causant des dommages au produit, des blessures ou un décès.**

- Ne pas entreposer ni utiliser de l'essence ou d'autres vapeurs ou liquides inflammables à proximité de cet appareil ou de tout autre appareil électroménager.
- QUE FAIRE DANS LE CAS D'UNE ODEUR DE GAZ :
  - Ne pas tenter d'allumer un appareil.
  - Ne pas toucher à un commutateur électrique.
  - Ne pas utiliser le téléphone se trouvant sur les lieux.
  - Appeler immédiatement le fournisseur de gaz à partir du téléphone d'un voisin. Suivre ses instructions.
  - À défaut de joindre votre fournisseur de gaz, appeler les pompiers.
- L'installation et l'entretien doivent être effectués par un installateur qualifié, une agence de service ou le fournisseur de gaz.

**AVERTISSEMENT :** L'odorat ne permet pas toujours la détection d'une fuite de gaz.

Les distributeurs de gaz recommandent l'emploi d'un détecteur de gaz (homologation UL ou CSA).

Pour d'autre information, contacter le fournisseur de gaz local.

En cas de détection d'une fuite de gaz, exécuter les instructions "Que faire dans le cas d'une odeur de gaz".

# IMPORTANTES INSTRUCTIONS DE SÉCURITÉ

**AVERTISSEMENT** : Pour réduire le risque d'incendie, de choc électrique, de blessures ou de dommages lors de l'utilisation de la table de cuisson, il convient d'observer certaines précautions élémentaires dont les suivantes :

■ **AVERTISSEMENT** : NE JAMAIS utiliser cet appareil comme dispositif de chauffage de la pièce. Le non-respect de cette instruction peut entraîner une intoxication au monoxyde de carbone et une surchauffe de la table de cuisson.

■ **MISE EN GARDE** – Ne pas remiser dans des armoires au-dessus de la table de cuisson, des objets que des enfants pourraient vouloir atteindre. Les enfants pourraient se blesser gravement en grimpant sur la table de cuisson.

■ Installation appropriée – La table de cuisson lorsqu'elle est correctement installée doit être reliée à la terre conformément aux codes locaux ou, en l'absence de codes locaux, selon le *Code national électrique, ANSI/NFPA70* ou le *Code canadien des installations électriques, Partie 1*. S'assurer que la table de cuisson est correctement installée et reliée à la terre par un technicien qualifié.

■ La table de cuisson est munie d'une fiche de liaison à la terre à trois broches pour votre protection contre les risques de choc électrique et doit être branchée directement dans une prise de courant bien reliée à la terre. Ne pas couper ni enlever la broche de liaison à la terre de cette fiche.

■ Débrancher l'alimentation électrique avant d'exécuter des réparations à la table de cuisson.

■ Des blessures peuvent survenir du mauvais usage de la table de cuisson tel que se tenir debout sur la surface, se pencher ou s'asseoir sur le dessus de la surface.

■ Entretien – Garder l'espace autour de la table de cuisson dégagé et exempt de matériaux combustibles, d'essence et d'autres vapeurs et liquides inflammables.

■ Remisage sur la table de cuisson – Des produits inflammables ne doivent pas être remisés sur ou près des éléments de surface.

■ La taille de la flamme des brûleurs de surface devrait être ajustée de sorte qu'elle ne dépasse pas le bord d'un ustensile de cuisson.

## CONSERVEZ CES INSTRUCTIONS

Avertissements de la proposition 65 de l'État de Californie :

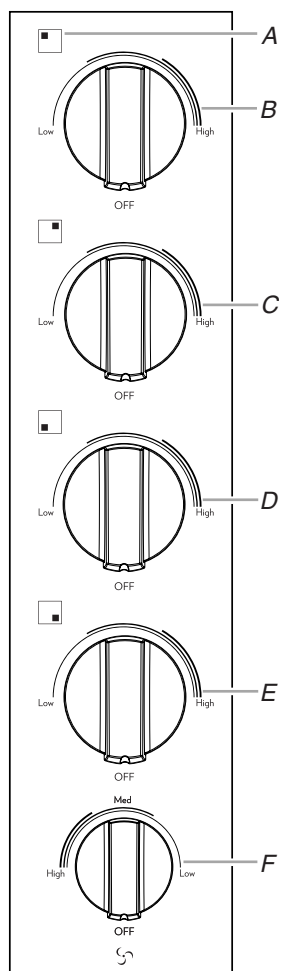
**AVERTISSEMENT** : Ce produit contient un produit chimique connu par l'État de Californie pour être à l'origine de cancers.

**AVERTISSEMENT** : Ce produit contient un produit chimique connu par l'État de Californie pour être à l'origine de malformations et autres déficiences de naissance.

# PIÈCES ET CARACTÉRISTIQUES

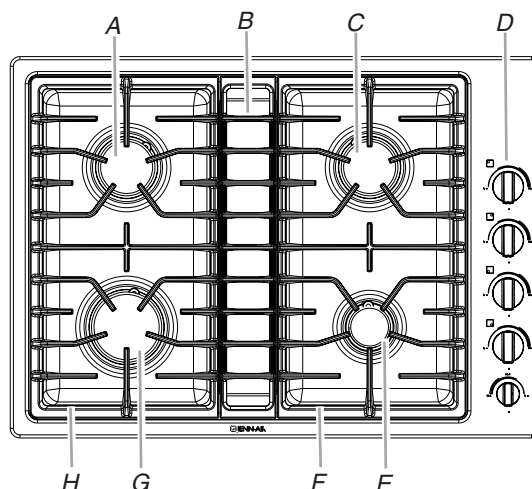
Ce manuel couvre différents modèles. La table de cuisson que vous avez achetée peut comporter tous les articles énumérés ou seulement certains d'entre eux.

**Tableau de commande de 30" (76,2 cm)**



- A. Repère du brûleur de surface
- B. Bouton de commande arrière gauche
- C. Bouton de commande arrière droit
- D. Bouton de commande avant gauche
- E. Bouton de commande avant droit
- F. Bouton de commande du ventilateur d'évacuation à 3 vitesses

**Table de cuisson de 30" (76,2 cm)**



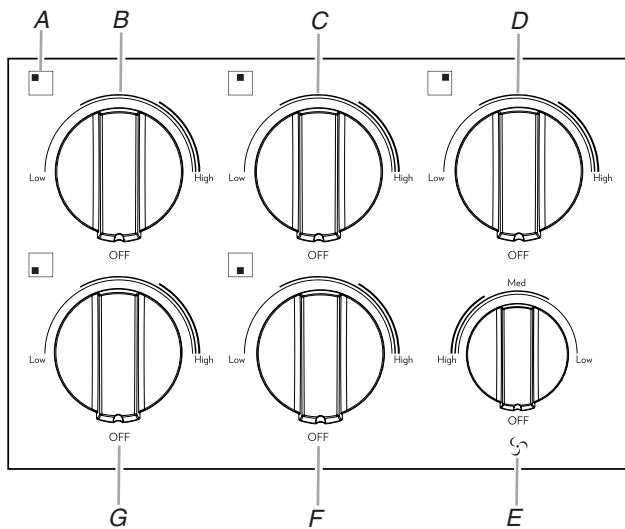
- A. Brûleur arrière gauche de 9 200 BTU/h
- B. Grille de ventilation à extraction par le bas
- C. Brûleur arrière droit de 12 500 BTU/h
- D. Tableau de commande
- E. Brûleur avant droit de 5 000 BTU/h
- F. Grille de droite
- G. Brûleur avant gauche de 17 000 BTU/h
- H. Grille de gauche.

## Ensemble accessoire de système de filtrage sans conduit de Jenn-Air® facultatif

**(Pour les modèles numéros JGD3430 et JGD3536)**

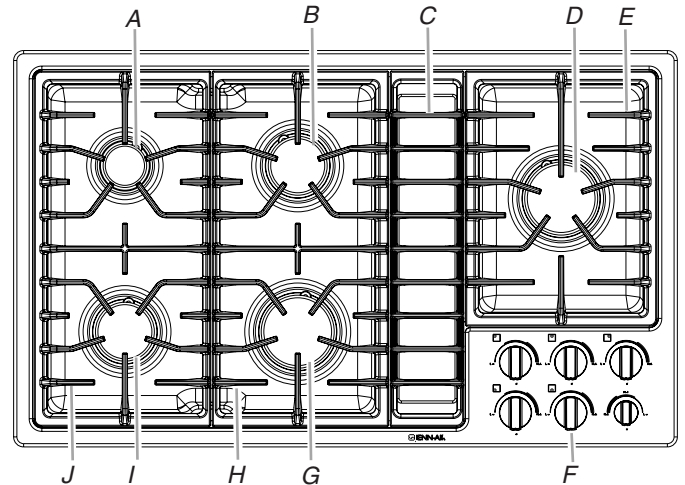
Sur certains modèles à extraction par le bas, la trousse accessoire de filtration sans conduit de Jenn-Air®, pièce numéro JDA7000WX est désormais disponible. La trousse accessoire de filtration sans conduit de Jenn-Air® est idéale tant pour les nouvelles constructions que les projets de rénovation de cuisine car elle offre une alternative à l'installation de conduits métalliques et à la décharge de système de ventilation vers l'extérieur du domicile. Cet ensemble comprend tout le matériel nécessaire, un filtre et des instructions d'installation complètes. Voir la section "Assistance ou service" pour plus d'informations sur le processus de commande.

## Tableau de commande de 36" (91,4 cm)



- A. Repère du brûleur de surface  
 B. Bouton de commande arrière gauche  
 C. Bouton de commande central arrière  
 D. Bouton de commande de droite  
 E. Bouton de commande du ventilateur d'évacuation à 3 vitesses  
 F. Bouton de commande central avant  
 G. Bouton de commande avant droit

## Table de cuisson de 36" (91,4 cm)



- A. Brûleur arrière gauche de 5 000 BTU/h  
 B. Brûleur central arrière de 12 500 BTU/h  
 C. Grille de ventilation à extraction par le bas  
 D. Brûleur arrière droit de 17 000 BTU/h  
 E. Grille de droite  
 F. Tableau de commande  
 G. Brûleur central avant de 15 000 BTU/h  
 H. Grille centrale  
 I. Brûleur avant gauche de 9 200 BTU/h  
 J. Grille de gauche

# UTILISATION DE LA TABLE DE CUISSON

## Commandes de la table de cuisson

### ⚠ AVERTISSEMENT



#### Risque d'incendie

**La flamme d'un brûleur ne devrait pas dépasser le bord du récipient de cuisson.**

**Fermer tous les réglages lorsque la cuisson est terminée.**

**Le non-respect de ces instructions peut causer un décès ou un incendie.**

Les allumeurs électriques allument automatiquement les brûleurs de surface lorsque les boutons de commande sont tournés à HIGH (élevé) et se rallument automatiquement si la flamme s'éteint. Tous les allumeurs génèrent une étincelle lors de l'allumage; cependant seul le brûleur sélectionné s'allume.

Un éventuel courant d'air peut affecter la flamme et provoquer la formation d'étincelles. Ceci est normal.

Avant de régler un bouton de commande, placer l'ustensile de cuisson rempli sur la grille. Ne pas faire fonctionner un brûleur avec un ustensile de cuisson vide ou sans ustensile de cuisson sur la grille.

#### Réglage :

1. Pousser et tourner le bouton dans le sens antihoraire à HIGH.
2. Tourner le bouton n'importe où entre HIGH (élevé) et LOW (bas). Utiliser le tableau suivant comme guide lors du réglage des niveaux de chaleur.

RÉGLAGE	UTILISATION RECOMMANDÉE
<b>HIGH (élevé)</b>	<ul style="list-style-type: none"> <li>■ Pour commencer la cuisson des aliments.</li> <li>■ Pour porter un liquide à ébullition.</li> <li>■ Pour maintenir une ébullition rapide.</li> <li>■ Pour brunir ou saisir rapidement les aliments.</li> <li>■ Pour faire frire du poulet.</li> </ul>
<b>Medium (moyen) Entre HIGH et LOW</b>	<ul style="list-style-type: none"> <li>■ Pour maintenir une ébullition lente.</li> <li>■ Pour faire frire ou sauter les aliments.</li> <li>■ Pour cuire les soupes et les sauces.</li> <li>■ Pour faire mijoter ou étuver les aliments.</li> </ul>
<b>LOW (bas)</b>	<ul style="list-style-type: none"> <li>■ Pour faire mijoter lentement.</li> <li>■ Pour garder les aliments au chaud.</li> </ul>



**N'OUBLIEZ PAS :** Quand l'appareil est utilisé, toute la surface de la table de cuisson peut devenir chaude.

### Panne de courant

En cas de panne de courant prolongée, les brûleurs de surface peuvent être allumés manuellement. Tenir une allumette allumée près d'un brûleur et tourner le bouton dans le sens antihoraire à élevé. Une fois le brûleur allumé, tourner le bouton au réglage. Le ventilateur d'évacuation ne fonctionnera pas.

**REMARQUE :** Le système de ventilation avec aspiration par le bas ne fonctionne pas durant une panne de courant.

### Rallumage Flame-Sensing™

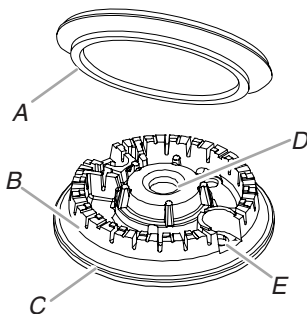
Cette table de cuisson comporte des brûleurs à gaz scellés avec rallumage Flame-Sensing™. Si une flamme de brûleur s'éteint, le système génère automatiquement une étincelle pour rallumer le brûleur (tous les allumeurs génèrent une étincelle lorsqu'une flamme s'éteint; cependant seul le brûleur concerné pourra se rallumer).

Si l'on observe l'apparition intermittente d'étincelles, augmenter la flamme (tourner le bouton dans le sens horaire) jusqu'à ce que le cliquetis (correspondant à la production de l'étincelle) cesse.

### Système de brûleur à orifice intelligent

Cette table de cuisson est équipée d'un système de brûleur à orifice intelligent. Ce système produit une petite flamme sous les doigts de la grille et une flamme plus longue entre ces doigts. La différence entre ces orifices est visuellement repérable lorsque le brûleur est allumé ou lors du réglage de la longueur des flammes.

## Brûleurs de surface scellés

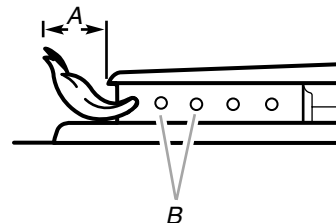


- A. Chapeau de brûleur
- B. Orifices de brûleur
- C. Base du brûleur
- D. Ouverture du tube d'arrivée de gaz
- E. Tête de l'allumeur

**IMPORTANT :** Ne pas entraver l'évacuation de l'air de combustion et de ventilation autour des bords des grilles de brûleur.

**Chapeau de brûleur :** Toujours garder le chapeau et la tête de brûleur en place lorsqu'on utilise un brûleur de surface. Un chapeau et une tête de brûleur propres empêchent le mauvais allumage et des flammes inégales. Toujours nettoyer le chapeau et la tête du brûleur après un renversement de produits et enlever et nettoyer régulièrement les chapeaux tel qu'indiqué à la section "Nettoyage général".

**Ouverture du tube d'arrivée de gaz :** Pour que la flamme s'allume convenablement, il faut que le gaz puisse passer librement à travers l'orifice. Garder cette zone propre et ne pas laisser les produits renversés, les aliments, les agents de nettoyage ou tout autre produit pénétrer dans l'ouverture du tube d'arrivée de gaz. Protéger le tube d'arrivée de gaz contre les renversements en utilisant toujours un chapeau de brûleur.



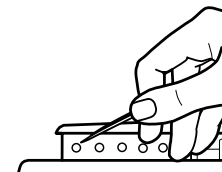
- A. 1 à 1½" (25 à 38 mm)
- B. Orifices de brûleur

**Orifices de brûleur :** Examiner occasionnellement les flammes des brûleurs pour en vérifier la taille et la forme tel qu'indiqué ci-dessus. Une bonne flamme est bleue plutôt que jaune. Garder cette zone propre et ne pas laisser les produits renversés, les aliments, les agents de nettoyage ou tout autre produit pénétrer dans les orifices de brûleur.

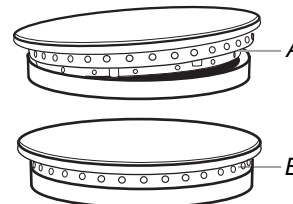
### Nettoyage :

**IMPORTANT :** Avant le nettoyage, s'assurer que toutes les commandes sont désactivées et que la table de cuisson est froide. Ne pas utiliser de nettoyants à four, d'agent de blanchiment ou de décapants à rouille.

1. Enlever le chapeau et la tête de brûleur de la base du brûleur et nettoyer tel qu'indiqué à la section "Nettoyage général".
2. Nettoyer l'ouverture du tube d'arrivée de gaz avec un chiffon humide.
3. Nettoyer les orifices de brûleur obstrués avec une épingle droite tel qu'indiqué. Ne pas agrandir ni déformer l'orifice. Ne pas utiliser un cure-dents en bois.



4. Réinstaller le chapeau et la tête du brûleur en s'assurant que l'ergot et l'encoche d'alignement sont bien alignés avec le chapeau du brûleur.



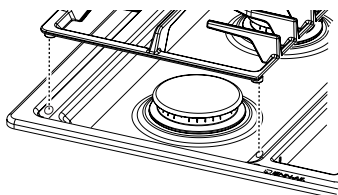
- A. Incorrect
- B. Correct

5. Allumer le brûleur. Si le brûleur ne s'allume pas, vérifier l'alignement de la tête de brûleur. Si le brûleur ne s'allume toujours pas, ne pas réparer soi-même le brûleur scellé. Contacter un technicien de réparation qualifié.

## Grilles de surface

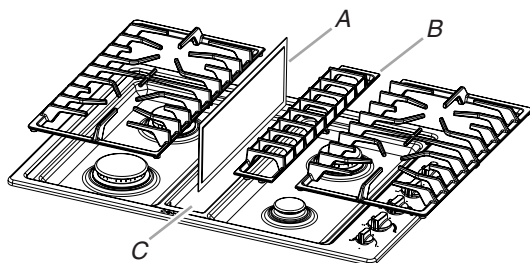
Les grilles doivent être correctement positionnées avant la cuisson. Les grilles doivent être en affleurement et de niveau pour être en bonne position. Une mauvaise installation des grilles peut entraîner l'écaillage ou l'éraflure de la table de cuisson.

Afin de les positionner correctement, aligner les butoirs souples au-dessous de la grille avec les indentations sur la table de cuisson. Voir les illustrations de la table de cuisson dans la section "Pièces et caractéristiques" pour le positionnement correct de la grille.



Bien que les grilles de brûleurs soient durables, elles perdront progressivement de leur lustre et/ou se décoloreront en raison des fortes températures produites par les flammes.

## Système de ventilation avec aspiration par le bas



- A. Filtre à graisse amovible
- B. Grille du système d'aspiration par le bas
- C. Plateau de soutien du filtre (non amovible)

Le système de ventilation incorporé à aspiration par le bas élimine les vapeurs, les odeurs et la fumée de cuisson des aliments préparés sur la table de cuisson.

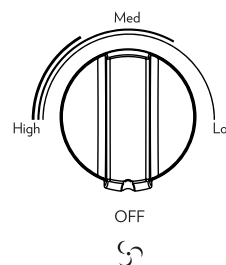
**IMPORTANT :** Pour un rendement optimal, faire fonctionner le système de ventilation avec aspiration par le bas lorsque le filtre est correctement installé.

Afin d'éviter une accumulation de graisse, le filtre doit être nettoyé souvent.

Pour plus d'informations sur l'installation et le nettoyage corrects du filtre, voir "Système de ventilation avec aspiration par le bas" dans la section "Nettoyage général".

## Utilisation :

Tourner le bouton de ventilateur d'évacuation à LOW (bas), MED (moyen) ou HIGH (élevé). Tourner le bouton du ventilateur d'évacuation à la position OFF (arrêt) une fois la cuisson terminée, ou lorsqu'on n'utilise pas la table de cuisson.



## Préparation de conserves à la maison

Lors de la préparation de conserves pendant de longues périodes, alterner l'utilisation des brûleurs de surface entre les quantités préparées. Cette alternance permet aux dernières surfaces utilisées de refroidir.

- Centrer l'autoclave sur la grille.
- Ne pas placer l'autoclave sur deux brûleurs de surface à la fois.
- Pour plus de renseignements, communiquez avec votre service local d'agriculture. Les compagnies qui fabriquent des produits pour la préparation de conserves peuvent aussi offrir de l'aide.

## Ustensiles de cuisson

**IMPORTANT :** Ne pas laisser un ustensile de cuisson vide sur la surface chaude d'une zone de cuisson, d'un élément ou d'un brûleur de surface.

Les ustensiles de cuisson idéals doivent avoir un fond plat, des parois droites, un couvercle qui ferme bien et le matériau doit être d'épaisseur moyenne à forte.

Les surfaces rudes peuvent égratigner la table de cuisson. L'aluminium et le cuivre peuvent être employés comme fond ou base d'un ustensile de cuisson. Cependant, utilisés comme base, ils peuvent laisser des marques permanentes sur la table de cuisson ou les grilles.

Le matériau d'un ustensile de cuisson affecte la rapidité et l'uniformité de la transmission de la chaleur, et contribue aux résultats de cuisson. Un fini antiadhésif a les mêmes caractéristiques que son matériau de base. Par exemple, un ustensile de cuisson en aluminium avec un fini antiadhésif aura les propriétés de l'aluminium.

Utiliser le tableau suivant comme guide pour les caractéristiques du matériau de l'ustensile de cuisson.

USTENSILE	CARACTÉRISTIQUES
<b>Aluminium</b>	<ul style="list-style-type: none"> <li>■ Chauffe rapidement et uniformément.</li> <li>■ Convient à tous les genres de cuisson.</li> <li>■ L'épaisseur moyenne ou forte convient le mieux pour la plupart des tâches de cuisson.</li> </ul>
<b>Fonte</b>	<ul style="list-style-type: none"> <li>■ Chauffe lentement et uniformément.</li> <li>■ Convient pour le brunissage et la friture.</li> <li>■ Maintient la chaleur pour une cuisson lente.</li> </ul>
<b>Céramique ou vitrocéramique</b>	<ul style="list-style-type: none"> <li>■ Suivre les instructions du fabricant.</li> <li>■ Chauffe lentement mais inégalement.</li> <li>■ Les meilleurs résultats sont obtenus sur les réglages de chaleur basse à moyenne.</li> </ul>
<b>Cuivre</b>	<ul style="list-style-type: none"> <li>■ Chauffe très rapidement et uniformément.</li> </ul>
<b>Terre cuite</b>	<ul style="list-style-type: none"> <li>■ Suivre les instructions du fabricant.</li> <li>■ Utiliser des réglages de température basse.</li> </ul>
<b>Acier émaillé en porcelaine ou fonte émaillée</b>	<ul style="list-style-type: none"> <li>■ Voir acier inoxydable ou fonte.</li> </ul>
<b>Acier inoxydable</b>	<ul style="list-style-type: none"> <li>■ Chauffe rapidement, mais inégalement.</li> <li>■ Un fond ou une base d'aluminium ou de cuivre sur l'acier inoxydable procure un chauffage uniforme.</li> </ul>

## ENTRETIEN DE LA TABLE DE CUISSON

### Nettoyage général

**IMPORTANT :** Avant le nettoyage, s'assurer que toutes les commandes sont désactivées et que la table de cuisson a refroidi. Toujours suivre les instructions sur les étiquettes des produits de nettoyage.

Du savon, de l'eau et un chiffon doux ou une éponge sont recommandés à moins d'indication contraire.

### SURFACES EXTERNES EN ÉMAIL VITRIFIÉ (sur certains modèles)

Les renversements d'aliments contenant des produits acides, tels que vinaigre et tomates, doivent être nettoyés dès que l'appareil est refroidi. Ces renversements peuvent affecter le fini.

#### Méthode de nettoyage :

- Nettoyant à vitre, nettoyant doux liquide ou tampon à récurer non abrasif.
- Nettoyant tout-usage pour appareil ménager - Pièce n° 31682B (non inclus) :  
Voir la section "Assistance ou service" pour placer une commande.

### ACIER INOXYDABLE

Afin d'éviter d'endommager les surfaces en acier inoxydable, ne pas utiliser de tampons de récurage savonneux, nettoyants abrasifs, crème à polir pour table de cuisson, tampons en laine d'acier, chiffons de lavage rudes ou certains essuie-tout. Frotter dans la direction du grain pour éviter les dommages.

#### Méthode de nettoyage :

- Nettoyant et poli pour acier inoxydable - Pièce n° 31462B (non inclus) :  
Voir la section "Assistance ou service" pour placer une commande.
- Détergent liquide ou nettoyant tout-usage :  
Rincer à l'eau propre et sécher avec un chiffon doux sans charpie.
- Vinaigre pour les taches d'eau dure

### COMMANDES DE LA TABLE DE CUISSON

Afin d'éviter d'endommager les commandes de la table de cuisson, ne pas utiliser de laine d'acier, de produits de nettoyage abrasifs ou de nettoyant pour four.

Afin d'éviter tout dommage, ne pas immerger les boutons de commande.

Lors de la réinstallation des boutons, s'assurer que chaque bouton est à la position Off (arrêt).

Sur certains modèles, ne pas enlever les joints sous les boutons.

#### Méthode de nettoyage :

- Savon et eau :  
Tirer les boutons directement hors du tableau de commande pour les enlever.

### TABLEAU DE COMMANDE

Afin d'éviter d'endommager le tableau de commande, ne pas utiliser de nettoyants abrasifs, tampons en laine d'acier, chiffons de lavage rudes ou certains essuie-tout en papier.

#### Méthode de nettoyage :

- Nettoyant à vitre et chiffon doux ou éponge :  
Appliquer le nettoyant à vitre sur un chiffon doux ou une éponge, et non pas directement sur le tableau.
- Nettoyant tout-usage pour appareil ménager - Pièce n° 31682B (non inclus) :  
Voir la section "Assistance ou service" pour placer une commande.

### GRILLES ET CHAPEAUX ÉMAILLÉS

Les renversements d'aliments contenant des produits acides, tels que vinaigre et tomates, doivent être nettoyés dès que la table de cuisson, les grilles et les chapeaux ont refroidi. Ces renversements peuvent affecter le fini.

Pour éviter l'écaillage, ne pas entrechoquer les grilles et les chapeaux ni les frapper contre des surfaces dures telles que les ustensiles en fonte.

Ne pas réinstaller les chapeaux sur les brûleurs quand ils sont mouillés.

### Méthode de nettoyage :

- Tampon à récurer en plastique non abrasif et un nettoyant légèrement abrasif :  
Nettoyer dès que la table de cuisson, les grilles et les chapeaux ont refroidi.
- Lave-vaisselle (grilles seulement, pas les chapeaux) :  
Utiliser le programme le plus intensif.
- Nettoyant pour la grille et cuvette à gaz - Pièce n° 31617B (non inclus) :  
Voir la section "Assistance ou service" pour placer une commande.

---

## BRÛLEURS DE SURFACE ET ALLUMEUR ÉLECTRONIQUE

---

### Brûleurs de surface

Voir la section "Brûleurs de surface scellés".

### Allumeur électronique

#### Méthode de nettoyage :

- Nettoyer le joint de l'allumeur électronique en acier inoxydable avec un tampon à récurer non abrasif. Nettoyer le pivot de céramique avec un coton tige :  
Nettoyant tout-usage pour appareil ménager - Pièce n° 31682B (non inclus) :  
Voir la section "Assistance ou service" pour placer une commande.

---

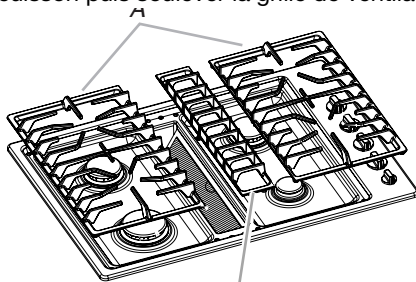
## SYSTÈME DE VENTILATION AVEC ASPIRATION PAR LE BAS

---

### Grille de ventilation

#### Méthode de nettoyage :

- Retirer les grilles des brûleurs de gauche et de droite de la table de cuisson puis soulever la grille de ventilation.



A. Grilles de brûleur  
B. Grille de ventilation

- Essuyer ou laver dans un évier :  
Ustensile de récurage en plastique non abrasif et nettoyant légèrement abrasif
- Lave-vaisselle :  
Utiliser un détergent doux.

### Filtre à graisse amovible

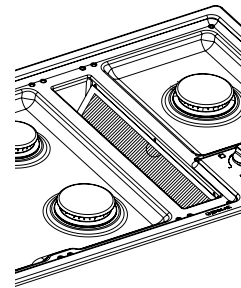
Le filtre correspond à un filtre permanent et doit être nettoyé lorsqu'il est sale.

#### Méthode de nettoyage :

- Éteindre le système de ventilation avec aspiration par le bas avant de retirer le filtre.
- Retirer les grilles de brûleur, dégager la grille de ventilation et dégager le filtre de la chambre d'évacuation en le soulevant.
- Nettoyer le filtre à l'eau tiède et au détergent dans l'évier ou au lave-vaisselle.
- Réinstaller le filtre.

Le filtre doit toujours être placé en angle. Lorsque l'on se place face à la cuisinière, le sommet du filtre doit reposer contre le côté droit de l'ouverture d'aération. Le fond du filtre doit reposer contre le côté gauche de la chambre d'évacuation, au fond de celle-ci.

Si le filtre est à plat contre la paroi du ventilateur, l'efficacité du système de ventilation sera réduite.



### Chambre d'évacuation

La chambre d'évacuation dans laquelle est logé le filtre doit être nettoyée régulièrement en cas de renversement ou si elle est recouverte d'une pellicule grasseuse.

#### Méthode de nettoyage :

- Détergent ou nettoyant doux pour usage domestique et essuie-tout, chiffon ou éponge humide :  
Appliquer le détergent ou nettoyant sur l'essuie-tout, le chiffon ou l'éponge humide et non pas directement sur la chambre d'évacuation.

### Filtre de rechange pour système de filtrage sans conduit de Jenn-Air® facultatif

La cartouche du filtre de rechange pour système de filtrage sans conduit de Jenn-Air®, pièce numéro JDA8000WX, est conçue pour durer pendant six mois de fonctionnement normal. La cartouche de filtre n'est pas conçue pour être nettoyée ni réutilisée et doit être remplacée par le TimeStrip®. Le rendement du système d'extraction par le bas sera réduit si le filtre n'est pas changé lorsque le TimeStrip® le recommande. Voir la section "Assistance ou service" pour plus d'informations sur le processus de commande.

# DÉPANNAGE

Essayer les solutions suggérées ici d'abord afin d'éviter le coût d'une visite de service non nécessaire.

## Rien ne fonctionne

### **⚠ AVERTISSEMENT**



#### Risque de choc électrique

Brancher sur une prise à 3 alvéoles reliée à la terre.

Ne pas enlever la broche de liaison à la terre.

Ne pas utiliser un adaptateur.

Ne pas utiliser un câble de rallonge.

Le non-respect de ces instructions peut causer un décès, un incendie ou un choc électrique.

- **Le cordon d'alimentation est-il débranché?**  
Brancher l'appareil sur une prise à 3 alvéoles reliée à la terre.
- **Un fusible est-il grillé ou le disjoncteur s'est-il déclenché?**  
Remplacer le fusible ou réenclencher le disjoncteur. Si le problème persiste, appeler un électricien.

## Les brûleurs de surface ne fonctionnent pas

- **Est-ce la première fois que les brûleurs de surface sont utilisés?**  
Allumer n'importe quel brûleur de surface pour libérer l'air des canalisations de gaz.
- **Le bouton de commande est-il réglé correctement?**  
Enfoncer le bouton avant de le tourner à un réglage.
- **Les orifices des brûleurs sont-ils obstrués?**  
Voir la section "Brûleurs de surface scellés".

## Les flammes des brûleurs de surface ne sont pas uniformes, sont de teinte jaune et/ou bruyantes

- **Les orifices des brûleurs sont-ils obstrués?**  
Voir la section "Brûleurs de surface scellés".

- **Le chapeau et la tête de brûleur sont-ils positionnés correctement?**  
Voir la section "Brûleurs de surface scellés".
- **Utilise-t-on du gaz propane?**  
L'appareil a peut-être été converti incorrectement. Contacter un technicien de service ou voir la section "Assistance ou service".

## Le brûleur de surface fait des bruits d'éclatement

- **Le brûleur est-il mouillé?**  
Le laisser sécher.

## Génération constante d'étincelles par l'allumeur

- **La flamme est-elle écartée de l'allumeur par un courant d'air?**  
Ceci est normal en présence d'un courant d'air.
- **Le cordon d'alimentation est-il correctement relié à la terre/polarisé?**  
Voir les Instructions d'installation.
- **Le chapeau et la tête de brûleur sont-ils positionnés correctement?**  
Voir la section "Brûleurs de surface scellés".

## Chaleur excessive autour des ustensiles de cuisson sur la table de cuisson

- **L'ustensile de cuisson est-il de dimension appropriée?**  
Utiliser un ustensile de cuisson à peu près de la même dimension que la surface de cuisson, l'élément ou le brûleur de surface. L'ustensile de cuisson ne doit pas dépasser de plus de 1/2" (1,3 cm) à l'extérieur de la zone de cuisson.

## Les résultats de cuisson sur la table de cuisson ne sont pas les résultats prévus

- **Utilise-t-on un ustensile de cuisson approprié?**  
Voir la section "Ustensiles de cuisson".
- **Le bouton de commande est-il réglé au niveau approprié de chaleur?**  
Voir la section "Commandes de la table de cuisson".
- **L'appareil est-il d'aplomb?**  
Mettre l'appareil d'aplomb. Voir les instructions d'installation.

---

# ASSISTANCE OU SERVICE

---

Avant de faire un appel pour assistance ou service, veuillez vérifier la section "Dépannage". Cette vérification peut vous faire économiser le coût d'une visite de service. Si vous avez encore besoin d'aide, suivre les instructions ci-dessous.

Lors d'un appel, veuillez connaître la date d'achat et les numéros au complet du modèle et de la série de votre appareil. Ces renseignements nous aideront à mieux répondre à votre demande.

---

## Accessoires

### Nettoyant et poli pour acier inoxydable

(modèles en acier inoxydable)

Commander la pièce n° 31462B

### Nettoyant tout-usage pour appareils ménagers

Commander la pièce n° 31682B

### Filtre à graisse de rechange

Commander la pièce numéro W10240990

### Ensemble accessoire de système de filtrage sans conduit Jenn-Air® facultatif

(pour modèles JED3430, JED3536, JED4430, JED4536, JGD3430 et JGD3536)

Commander la pièce numéro JDA7000WX

### Filtre de rechange pour système de filtrage sans conduit de Jenn-Air® facultatif

Commander la pièce numéro JDA8000WX

---

## Au Canada

### Si le problème n'est pas attribuable à l'une des raisons indiquées dans la section "Dépannage"...

Téléphonez au marchand qui vous a vendu l'appareil ou téléphonez à Jenn-Air en composant le **1-800-807-6777** pour localiser une compagnie de service autorisée. Lors d'un appel, veuillez connaître la date d'achat et les numéros de modèle et de série complets de votre appareil. Assurez-vous de conserver la preuve d'achat pour vérifier les conditions de la garantie.

Si le marchand ou la compagnie de service ne peut pas résoudre votre problème, écrivez à :

Jenn-Air Brand Home Appliances  
Centre pour l'eXpérience avec la clientèle  
1901 Minnesota Court  
Mississauga, ON L5N 3A7

Adresse Internet : [www.jennair.ca](http://www.jennair.ca)

ou composez le **1-800-807-6777**.

**REMARQUE :** Pour toute correspondance ou appel au sujet d'un problème de service, veuillez inclure les renseignements suivants :

1. Vos nom, adresse et numéro de téléphone durant la journée.
2. Numéros de modèle et de série de l'appareil.
3. Nom et adresse de votre marchand ou du service d'entretien.
4. Une description claire du problème existant.
5. Preuve d'achat (reçu de vente).

Les guides de l'utilisateur, manuels d'entretien et informations sur les pièces sont disponibles auprès du Centre pour l'eXpérience avec la clientèle des appareils électroménagers de la marque Jenn-Air.

# GARANTIE DES APPAREILS DE CUISSON JENN-AIR®

## GARANTIE LIMITÉE

Pendant un an à compter de la date d'achat, lorsque ce gros appareil ménager est utilisé et entretenu conformément aux instructions jointes à ou fournies avec le produit, Jenn-Air, marque de Whirlpool Corporation ou Whirlpool Canada LP (ci-après désignées "Jenn-Air") paiera pour les pièces spécifiées par l'usine et la main-d'œuvre pour corriger les vices de matériaux ou de fabrication. Le service doit être fourni par une compagnie de service désignée par Jenn-Air. Cette garantie limitée est valide uniquement aux États-Unis ou au Canada et s'applique exclusivement lorsque l'appareil est utilisé dans le pays où il a été acheté. À l'extérieur du Canada et des 50 États des États-Unis, cette garantie limitée ne s'applique pas. Une preuve de la date d'achat original est exigée pour obtenir un service dans le cadre de la présente garantie limitée.

## GARANTIE LIMITÉE DE LA DEUXIÈME À LA CINQUIÈME ANNÉE INCLUSIVEMENT SUR CERTAINS COMPOSANTS

De la deuxième à la cinquième année inclusivement à compter de la date d'achat, lorsque cet appareil ménager est utilisé et entretenu conformément aux instructions jointes à ou fournies avec le produit, Jenn-Air paiera pour les pièces spécifiées par l'usine pour les composants suivants (si applicables au produit), en cas de vices de matériaux ou de fabrication :

- |   |                           |
|---|---------------------------|
| ■ Élément électrique  | ■ Commandes électroniques |
| ■ Clavier tactile et microprocesseur                                      | ■ Tube magnétron          |
| ■ Table de cuisson en vitrocéramique : en cas de bris d'origine thermique | ■ Brûleurs à gaz scellés  |

## ARTICLES EXCLUS DE LA GARANTIE

La présente garantie limitée ne couvre pas :

1. Les visites de service pour rectifier l'installation du gros appareil ménager, montrer à l'utilisateur comment utiliser l'appareil, remplacer ou réparer des fusibles ou rectifier le câblage ou la plomberie du domicile.
  2. Les visites de service pour réparer ou remplacer les ampoules électriques de l'appareil, les filtres à air ou les filtres à eau. Les pièces consommables ne sont pas couvertes par la garantie.
  3. Les réparations lorsque le gros appareil ménager est utilisé à des fins autres que l'usage unifamilial normal ou lorsque les instructions d'installation et/ou les instructions de l'opérateur ou de l'utilisateur fournies ne sont pas respectées.
  4. Les dommages imputables à : accident, modification, usage impropre ou abusif, incendie, inondation, actes de Dieu, installation fautive ou installation non conforme aux codes d'électricité ou de plomberie, ou l'utilisation de pièces consommables ou de produits nettoyants non approuvés par Jenn-Air.
  5. Les défauts apparents, notamment les éraflures, les bosses, fissures ou tout autre dommage au fini du gros appareil ménager, à moins que ces dommages soient dus à des vices de matériaux ou de fabrication et soient signalés à Jenn-Air dans les 30 jours suivant la date d'achat.
  6. Toute perte d'aliments due à une défaillance du réfrigérateur ou du congélateur.
  7. Les coûts associés au transport du gros appareil ménager du domicile pour réparation. Ce gros appareil ménager est conçu pour être réparé à domicile et seul le service à domicile est couvert par la présente garantie.
  8. Les réparations aux pièces ou systèmes résultant d'une modification non autorisée faite à l'appareil.
  9. Les frais de transport pour le service d'un produit si votre gros appareil est situé dans une région éloignée où un service d'entretien Jenn-Air autorisé n'est pas disponible.
  10. La dépose et la réinstallation de votre gros appareil si celui-ci est installé dans un endroit inaccessible ou n'est pas installé conformément aux instructions d'installation fournies.
  11. Les gros appareils ménagers dont les numéros de série et de modèle originaux ont été enlevés, modifiés ou qui ne peuvent pas être facilement identifiés. La présente garantie est nulle si le numéro de série d'usine a été modifié ou enlevé du gros appareil ménager.
- Le coût d'une réparation ou d'un remplacement dans le cadre de ces circonstances exclues est à la charge du client.

## CLAUSE D'EXONÉRATION DE RESPONSABILITÉ AU TITRE DES GARANTIES IMPLICITES; LIMITATION DES RECOURS

LE SEUL ET EXCLUSIF RECOURS DU CLIENT DANS LE CADRE DE LA PRÉSENTE GARANTIE LIMITÉE CONSISTE EN LA RÉPARATION PRÉVUE CI-DESSUS. LES GARANTIES IMPLICITES, Y COMPRIS LES GARANTIES APPLICABLES DE QUALITÉ MARCHANDE ET D'APTITUDE À UN USAGE PARTICULIER, SONT LIMITÉES À UN AN OU À LA PLUS COURTE PÉRIODE AUTORISÉE PAR LA LOI. JENN-AIR N'ASSUME AUCUNE RESPONSABILITÉ POUR LES DOMMAGES FORTUITS OU INDIRECTS. CERTAINES JURIDICTIONS NE PERMETTENT PAS L'EXCLUSION OU LA LIMITATION DES DOMMAGES FORTUITS OU INDIRECTS, OU LES LIMITATIONS DE LA DURÉE DES GARANTIES IMPLICITES DE QUALITÉ MARCHANDE OU D'APTITUDE À UN USAGE PARTICULIER, DE SORTE QUE CES EXCLUSIONS OU LIMITATIONS PEUVENT NE PAS S'APPLIQUER DANS VOTRE CAS. CETTE GARANTIE VOUS CONFÈRE DES DROITS JURIDIQUES SPÉCIFIQUES ET VOUS POUVEZ ÉGALEMENT JOUIR D'AUTRES DROITS QUI PEUVENT VARIER D'UNE JURIDICTION À UNE AUTRE.

Si vous résidez à l'extérieur du Canada et des 50 États des États-Unis, contactez votre marchand Jenn-Air autorisé pour déterminer si une autre garantie s'applique.

Si vous avez besoin de service, voir d'abord la section "Dépannage" du Guide d'utilisation et d'entretien. Après avoir vérifié la section "Dépannage", de l'aide supplémentaire peut être trouvée en vérifiant la section "Assistance ou service" ou en appelant Jenn-Air. Aux É.-U., composer le **1-800-536-6247**. Au Canada, composer le **1-800-807-6777**.

6/09

**Conservez ce manuel et votre reçu de vente ensemble pour référence ultérieure. Pour le service sous garantie, vous devez présenter un document prouvant la date d'achat ou d'installation.**

Inscrivez les renseignements suivants au sujet de votre gros appareil ménager pour mieux vous aider à obtenir assistance ou service en cas de besoin. Vous devrez connaître le numéro de modèle et le numéro de série au complet. Vous trouverez ces renseignements sur la plaque signalétique située sur le produit.

Nom du marchand \_\_\_\_\_  
Adresse \_\_\_\_\_  
Numéro de téléphone \_\_\_\_\_  
Numéro de modèle \_\_\_\_\_  
Numéro de série \_\_\_\_\_  
Date d'achat \_\_\_\_\_

**W10233478B**

© 2009.

All rights reserved.  
Tous droits réservés.

® Registered Trademark/TM Trademark of Jenn-Air, U.S.A. Used under license by Maytag Limited in Canada.  
®Marque déposée/TM Marque de commerce de Jenn-Air, U.S.A. Emploi sous licence par Maytag Limited au Canada.

10/09  
Printed in U.S.A.  
Imprimé aux É.-U.



## Free Manuals Download Website

<http://myh66.com>

<http://usermanuals.us>

<http://www.somanuals.com>

<http://www.4manuals.cc>

<http://www.manual-lib.com>

<http://www.404manual.com>

<http://www.luxmanual.com>

<http://aubethermostatmanual.com>

Golf course search by state

<http://golfingnear.com>

Email search by domain

<http://emailbydomain.com>

Auto manuals search

<http://auto.somanuals.com>

TV manuals search

<http://tv.somanuals.com>