

JENN-AIR® DUAL FUEL MODULAR DOWNDRAFT SLIDE-IN RANGE

CUISINIÈRE MODULAIRE ENCASTRABLE À BI-COMBUSTIBLE À ASPIRATION PAR LE BAS JENN-AIR®

Use & Care Guide

For questions about features, operation/performance, parts, accessories, or service in the U.S.A., call:
1-800-JENNAIR (1-800-536-6247) or visit our website at www.jennair.com.
In Canada, call: **1-800-807-6777**, or visit our website at www.jennair.ca.

Guide d'utilisation et d'entretien

Au Canada, pour assistance, installation ou service, composez le **1-800-807-6777** ou visitez notre site web à www.jennair.ca.

Table of Contents/Table des matières2

Models/Modèles JDS9860

JENN-AIR®

W10430923A

TABLE OF CONTENTS

RANGE SAFETY	3	Meat Thermometer.....	15
The Anti-Tip Bracket	4	Oven Vent.....	15
COOKTOP USE	6	Bake.....	15
Cooktop Controls.....	6	Broil.....	16
Power Failure.....	6	Convection Cooking.....	16
Sealed Surface Burners	7	Convect Bake.....	17
Sealed Burner Cartridge	7	Convect Roast.....	17
Install Grill.....	8	Convect Pastry.....	18
Downdraft Ventilation System	9	Rapid Preheat.....	18
Home Canning	9	More Options.....	18
Cookware	9	Meat Probe.....	19
ELECTRONIC OVEN CONTROL	10	Drying	20
Electronic Control Pads	10	Thaw and Serve (on some models).....	22
Oven Display	10	Favorites	22
Quickset Pads	10	RANGE CARE	24
Cancel	10	Self-Cleaning Cycle (on some models).....	24
Clock	10	General Cleaning	25
Timers.....	11	Oven Lights	27
Locking the Oven Control and Oven Door	11	Oven Door	27
Oven Light	11	TROUBLESHOOTING	28
Setup	11	ASSISTANCE OR SERVICE	30
OVEN USE	14	In the U.S.A.	30
Aluminum Foil.....	14	Accessories	30
Positioning Racks and Bakeware	14	In Canada	30
Bakeware.....	15	WARRANTY	31

TABLE DES MATIÈRES

SÉCURITÉ DE LA CUISINIÈRE	32	Ustensiles de cuisson au four	45
La bride antibasculement.....	33	Thermomètre à viande	46
UTILISATION DE LA TABLE DE CUISSON	35	Évent du four	46
Commandes de la table de cuisson	36	Cuisson au four	46
Panne de courant.....	36	Cuisson au gril.....	46
Brûleurs de surface scellés	36	Cuisson par convection	47
Module des brûleurs scellés	37	Cuisson au four par convection	48
Installation du gril	38	Rôtissage par convection	48
Système de ventilation à aspiration par le bas.....	39	Cuisson de pâtisseries par convection	49
Préparation de conserves à la maison	39	Préchauffage rapide	49
Ustensiles de cuisson	39	Plus d'options.....	49
COMMANDES ÉLECTRONIQUES DU FOUR	40	Sonde thermométrique	51
Touches de commande électroniques	40	Séchage.....	51
Afficheur du four.....	40	Décongeler et servir (sur certains modèles).....	53
Touches de réglage rapide	40	Recettes favorites.....	54
Annulation.....	40	ENTRETIEN DE LA CUISINIÈRE	56
Horloge	40	Programme d'autonettoyage (sur certains modèles)	56
Minuteries.....	41	Nettoyage général	57
Verrouillage du module de commande du four et de la porte du four.....	41	Lampes du four	59
Lampe du four.....	41	Porte du four.....	59
Réglage	42	DÉPANNAGE	60
UTILISATION DU FOUR	44	ASSISTANCE OU SERVICE	62
Papier d'aluminium	44	Aux États-Unis.....	62
Positionnement des grilles et des ustensiles de cuisson au four.....	44	Accessoires	62
		Au Canada.....	62
		GARANTIE	63

RANGE SAFETY

Your safety and the safety of others are very important.

We have provided many important safety messages in this manual and on your appliance. Always read and obey all safety messages.



This is the safety alert symbol.

This symbol alerts you to potential hazards that can kill or hurt you and others.

All safety messages will follow the safety alert symbol and either the word "DANGER" or "WARNING." These words mean:

⚠ DANGER

You can be killed or seriously injured if you don't immediately follow instructions.

⚠ WARNING

You can be killed or seriously injured if you don't follow instructions.

All safety messages will tell you what the potential hazard is, tell you how to reduce the chance of injury, and tell you what can happen if the instructions are not followed.

WARNING: If the information in this manual is not followed exactly, a fire or explosion may result causing property damage, personal injury or death.

- Do not store or use gasoline or other flammable vapors and liquids in the vicinity of this or any other appliance.
- **WHAT TO DO IF YOU SMELL GAS:**
 - Do not try to light any appliance.
 - Do not touch any electrical switch.
 - Do not use any phone in your building.
 - Immediately call your gas supplier from a neighbor's phone. Follow the gas supplier's instructions.
 - If you cannot reach your gas supplier, call the fire department.
- Installation and service must be performed by a qualified installer, service agency or the gas supplier.

WARNING: Gas leaks cannot always be detected by smell.

Gas suppliers recommend that you use a gas detector approved by UL or CSA.

For more information, contact your gas supplier.

If a gas leak is detected, follow the "What to do if you smell gas" instructions.

State of California Proposition 65 Warnings:

WARNING: This product contains one or more chemicals known to the State of California to cause cancer.

WARNING: This product contains one or more chemicals known to the State of California to cause birth defects or other reproductive harm.

The Anti-Tip Bracket

The range will not tip during normal use. However, the range can tip if you apply too much force or weight to the open door without the anti-tip bracket fastened down properly.

⚠ WARNING

Tip Over Hazard

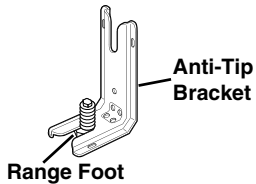
A child or adult can tip the range and be killed.

Verify the anti-tip bracket has been properly installed and engaged per installation instructions.

Re-engage anti-tip bracket if range is moved.

Do not operate range without anti-tip bracket installed and engaged.

Failure to follow these instructions can result in death or serious burns to children and adults.



To verify the anti-tip bracket is installed and engaged:

- Slide range forward.
- Look for the anti-tip bracket securely attached to floor or wall.
- Slide range back so rear range foot is under anti-tip bracket.
- See installation instructions for details.

IMPORTANT SAFETY INSTRUCTIONS

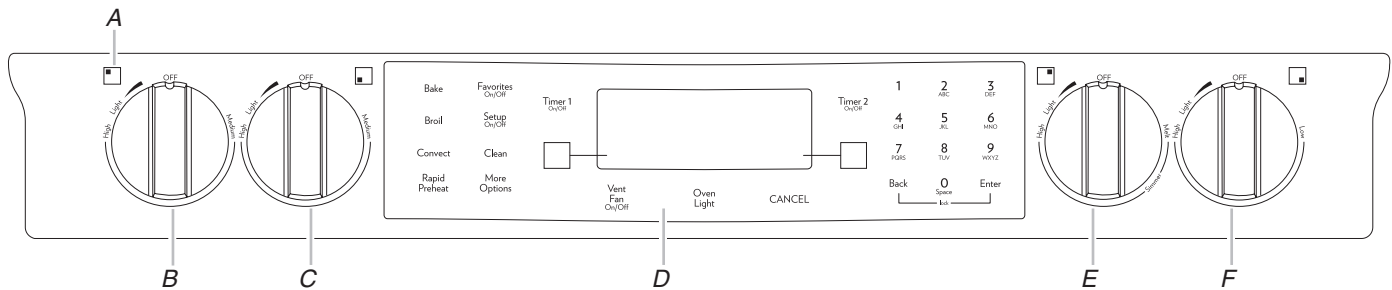
WARNING: To reduce the risk of fire, electrical shock, injury to persons, or damage when using the range, follow basic precautions, including the following:

- **WARNING:** TO REDUCE THE RISK OF TIPPING OF THE RANGE, THE RANGE MUST BE SECURED BY PROPERLY INSTALLED ANTI-TIP DEVICES. TO CHECK IF THE DEVICES ARE INSTALLED PROPERLY, SLIDE RANGE FORWARD, LOOK FOR ANTI-TIP BRACKET SECURELY ATTACHED TO FLOOR OR WALL, AND SLIDE RANGE BACK SO REAR RANGE FOOT IS UNDER ANTI-TIP BRACKET.
 - **WARNING:** NEVER use this appliance as a space heater to heat or warm the room. Doing so may result in carbon monoxide poisoning and overheating of the oven.
 - **WARNING:** NEVER cover any slots, holes or passages in the oven bottom or cover an entire rack with materials such as aluminum foil. Doing so blocks air flow through the oven and may cause carbon monoxide poisoning. Aluminum foil linings may also trap heat, causing a fire hazard.
 - **CAUTION:** Do not store items of interest to children in cabinets above a range or on the backguard of a range – children climbing on the range to reach items could be seriously injured.
 - Do Not Leave Children Alone – Children should not be left alone or unattended in area where the range is in use. They should never be allowed to sit or stand on any part of the range.
 - Wear Proper Apparel – Loose-fitting or hanging garments should never be worn while using the range.
 - User Servicing – Do not repair or replace any part of the range unless specifically recommended in the manual. All other servicing should be referred to a qualified technician.
 - Storage in or on the Range – Flammable materials should not be stored in an oven or near surface units.
 - Do Not Use Water on Grease Fires – Smother fire or flame or use dry chemical or foam-type extinguisher.
 - Use Only Dry Potholders – Moist or damp potholders on hot surfaces may result in burns from steam. Do not let potholder touch hot heating elements. Do not use a towel or other bulky cloth.
 - DO NOT TOUCH SURFACE UNITS OR AREAS NEAR UNITS – Surface units may be hot even though they are dark in color. Areas near surface units may become hot enough to cause burns. During and after use, do not touch, or let clothing or other flammable materials contact surface units or areas near units until they have had sufficient time to cool. Among those areas are the cooktop and surfaces facing the cooktop.
 - Never Leave Surface Units Unattended at High Heat Settings – Boilover causes smoking and greasy spillovers that may ignite.
 - Glazed Cooking Utensils – Only certain types of glass, glass/ceramic, ceramic, earthenware, or other glazed utensils are suitable for range-top service without breaking due to the sudden change in temperature.
 - Utensil Handles Should Be Turned Inward and Not Extend Over Adjacent Surface Units – To reduce the risk of burns, ignition of flammable materials, and spillage due to unintentional contact with the utensil, the handle of a utensil should be positioned so that it is turned inward, and does not extend over adjacent surface units.
 - Clean Cooktop With Caution – If a wet sponge or cloth is used to wipe spills on a hot cooking area, be careful to avoid steam burn. Some cleaners can produce noxious fumes if applied to a hot surface.
 - Use Care When Opening Door – Let hot air or steam escape before removing or replacing food.
 - Do Not Heat Unopened Food Containers – Build-up of pressure may cause container to burst and result in injury.
 - Keep Oven Vent Ducts Unobstructed.
 - Placement of Oven Racks – Always place oven racks in desired location while oven is cool. If rack must be moved while oven is hot, do not let potholder contact hot heating element in oven.
 - DO NOT TOUCH HEATING ELEMENTS OR INTERIOR SURFACES OF OVEN – Heating elements may be hot even though they are dark in color. Interior surfaces of an oven become hot enough to cause burns. During and after use, do not touch, or let clothing or other flammable materials contact heating elements or interior surfaces of oven until they have had sufficient time to cool. Other surfaces of the appliance may become hot enough to cause burns – among these surfaces are oven vent openings and surfaces near these openings, oven doors, and windows of oven doors.
 - Proper Installation – The range, when installed, must be electrically grounded in accordance with local codes or, in the absence of local codes, with the *National Electrical Code, ANSI/NFPA 70*. In Canada, the range must be electrically grounded in accordance with Canadian Electrical Code. Be sure the range is properly installed and grounded by a qualified technician.
 - Disconnect the electrical supply before servicing the appliance.
 - Injuries may result from the misuse of appliance doors or drawers such as stepping, leaning, or sitting on the doors or drawers.
 - Maintenance – Keep range area clear and free from combustible materials, gasoline, and other flammable vapors and liquids.
 - Top burner flame size should be adjusted so it does not extend beyond the edge of the cooking utensil.
- For self-cleaning ranges –**
- Do Not Clean Door Gasket – The door gasket is essential for a good seal. Care should be taken not to rub, damage, or move the gasket.
 - Do Not Use Oven Cleaners – No commercial oven cleaner or oven liner protective coating of any kind should be used in or around any part of the oven.
 - Clean Only Parts Listed in Manual.
 - Before Self-Cleaning the Oven – Remove broiler pan and other utensils. Wipe off all excessive spillage before initiating the cleaning cycle.
- For units with ventilating hood –**
- Clean Ventilating Hoods Frequently – Grease should not be allowed to accumulate on hood or filter.
 - When flambéing foods under the hood, turn the fan on.

SAVE THESE INSTRUCTIONS

COOKTOP USE

This manual covers several different models. The range you have purchased may have some or all of the items listed. The locations and appearances of the features shown here may not match those of your model.



A. Surface burner locator
B. Left rear control knob
C. Left front control knob

D. Electronic oven control
E. Right rear control knob
F. Right front control knob

Cooktop Controls

WARNING



Fire Hazard

Do not let the burner flame extend beyond the edge of the pan.

Turn off all controls when not cooking.

Failure to follow these instructions can result in death or fire.

IMPORTANT: Your range is factory-set for use with Natural gas. If you wish to use LP gas, an LP Gas Conversion Kit is included with your new range. See the "Gas Conversions" section of the Installation Instructions for details on making this conversion.

Electric igniters automatically light the surface burners when control knobs are turned on.

Before setting a control knob, place filled cookware on the grate. Do not operate a burner while using empty cookware or without any cookware on the grate.

NOTE: Visually check that the burner has lit. If the burner does not ignite, listen for a clicking sound. If you do not hear the igniter click, turn the burner off. Check for a tripped circuit breaker or blown household fuse.

Check that the control knob is pressed completely down on the valve shaft. If the spark igniter still does not operate, call a trained repair specialist.

To Set:

1. Push in and turn knob counterclockwise to light the burner. All four surface burners will click. Only the burner that has been turned on will produce a flame.

2. Turn knob anywhere between HIGH and LOW. Use the following chart as a guide when setting heat levels.

SETTING	RECOMMENDED USE
HI	<ul style="list-style-type: none"> Start food cooking. Bring liquid to a boil.
Medium between High and Low	<ul style="list-style-type: none"> Hold a rapid boil. Quickly brown or sear food. Fry or sauté foods. Cook soups, sauces and gravies. Stew or steam foods.
LO	<ul style="list-style-type: none"> Keep food warm. Simmer.

REMEMBER: When range is in use or (on some models) during the Self-Cleaning cycle, the entire cooktop area may become hot.

Cooktop Burners

High Performance Burner

There is 1 high speed burner on the cooktop, located in the right front position. This burner offers higher speed cooking that can be used to quickly bring water to a boil and for large-quantity cooking.

Simmer Burners

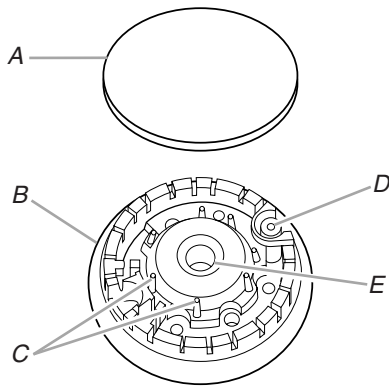
Simmer burners are located in the left or right rear positions. The simmer burner offers a lower Btu/h flame for delicate sauces or melting chocolate.

Power Failure

Surface Burners

In case of prolonged power failure, the surface burners can be lit manually. Hold a lit match near a burner and turn knob counterclockwise to ignite. After burner lights, turn knob to desired setting.

Sealed Surface Burners

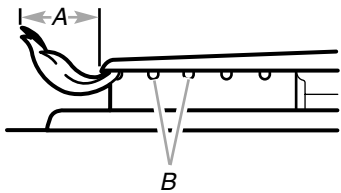


A. Burner cap
B. Burner base
C. Alignment pins
D. Igniter
E. Gas tube opening

IMPORTANT: Do not obstruct the flow of combustion and ventilation air around the burner grate edges.

Burner cap: Always keep the burner cap in place when using a surface burner. A clean burner cap will help avoid poor ignition and uneven flames. Always clean the burner cap after a spillover and routinely remove and clean the caps according to the "General Cleaning" section.

Gas tube opening: Gas must flow freely throughout the gas tube opening for the burner to light properly. Keep this area free of soil and do not allow spills, food, cleaning agents or any other material to enter the gas tube opening. Keep spillovers out of the gas tube by always using a burner cap.



A. 1-1½" (25-38 mm)
B. Burner ports

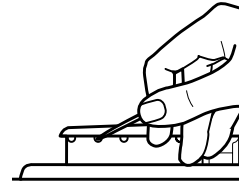
Burner ports: Check burner flames occasionally for proper size and shape as shown in the previous illustration. A good flame is blue in color, not yellow. Keep this area free of soil and do not allow spills, food, cleaning agents or any other material to enter the burner ports.

To Clean:

IMPORTANT: Before cleaning, make sure all controls are off and the oven and cooktop are cool. Do not use oven cleaners, bleach or rust removers.

1. Remove the burner cap from the burner base and clean according to "General Cleaning" section.

2. Clean the gas tube opening with a damp cloth.
3. Clean clogged burner ports with a straight pin as shown. Do not enlarge or distort the port. Do not use a wooden toothpick. If the burner needs to be adjusted, contact a trained repair specialist.



4. Replace the burner cap, making sure the alignment pins are properly aligned with the burner cap.



A. Incorrect
B. Correct

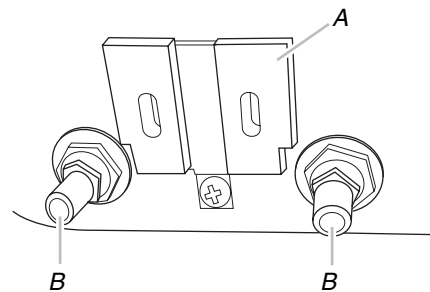
5. Turn on the burner. If the burner does not light, check cap alignment. If the burner still does not light, do not service the sealed burner yourself. Contact a trained repair specialist.

Sealed Burner Cartridge

The Sealed Burner Cartridge can only be installed on the left side of the cooktop.

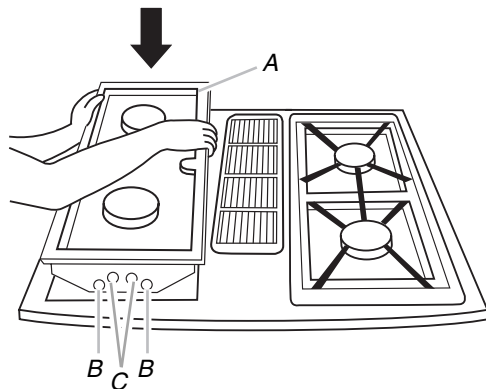
To Install Sealed Burner Cartridge:

1. Be sure control knobs are in the "Off" position.
2. If grill burner and grill grates are in place, remove before installing a burner cartridge. Clean basin of any grease accumulation, see "General Cleaning" section.
3. The orifices and terminal receptacle are located in the basin at the front of the cooktop.



A. Terminal receptacle
B. Orifices

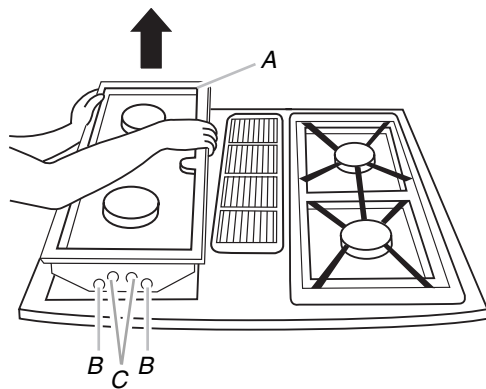
- Position burner cartridge with the mixer tube openings and igniter rods toward the orifices and terminal receptacle. Slide cartridge until the tubes and igniters engage, then lower the cartridge so that it rests on the cooktop surface.



A. Sealed burner cartridge
B. Mixer tubes
C. Igniter rods

To Remove Sealed Burner Cartridge:

- Be sure control knobs are in the "Off" position and cooktop is cool.
- Lift up the edge of the cartridge until the bottom of the cartridge clears the basin.
NOTE: Lifting the cartridge too high while still engaged could damage the igniter rods and mixer tubes.
- To disengage the cartridge, hold by the sides and pull away from the terminal receptacle and orifices. Lift out when fully unplugged.



A. Sealed burner cartridge
B. Mixer tubes
C. Igniter rods

IMPORTANT: Optional Sealed Burner Cartridge, model JGA8150AD, can replace the grill burner assembly. For more information see "Accessories" section.

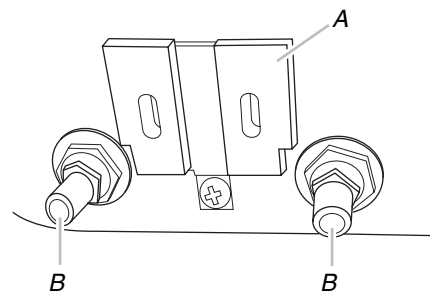
Install Grill

The Grill can only be installed on the left side of the cooktop. When using the grill, follow the guidelines below.

- Trim excess fat to reduce spattering. Slit the remaining fat on the edges to avoid curling.
- Allow space between food on the grill. Crowding food will result in uneven cooking.
- Use a metal spatula or tongs to turn food.
- Steaks, chops and hamburgers should be turned only once to avoid loss of juices.
- For best results, use top grade meat. Thicker meat will grill better than thinner cuts.
- When basting meats or applying sauces to foods, remember that excessive amounts accumulate inside your grill and do not improve the food flavor.
- Use only nonmetallic spatulas or utensils to avoid damaging the nonstick grill grate finish.
- Do not leave the grill unattended while cooking.
- To avoid damage to the grill, do not use aluminum foil, charcoal or wood chips.
- To avoid damage to cookware, do not place cookware on the grill when in use. Food should be cooked directly on the grill grate.

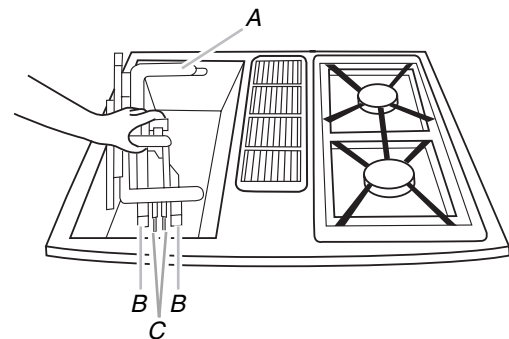
To Install Grill:

- Be sure control knobs are in the "Off" position.
- The orifices and terminal receptacle are located in the basin at the front of the cooktop.



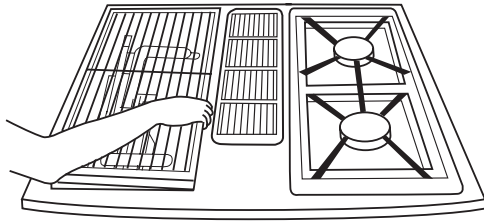
A. Terminal receptacle
B. Orifices

- Position the grill burner with mixer tubes and igniter rod toward the orifices and terminal receptacle. Slide the burner until the tubes and igniter engage, then lower the burner until it rests in the burner basin.



A. Grill burner
B. Mixer tubes
C. Igniter rods

- Place the grill grates on top of the cooktop.



IMPORTANT: Before using the grill for the first time, heat the grill burner to remove the shipping coating. Heat the grill burner on High for 10 minutes and use the vent system to remove any smoke.

To Remove Grill:

- Be sure control knobs are in the “Off” position and grill components are cool.
- Remove grill grates.
- Lift the burner up slightly. Slide the burner away from the orifices and terminal receptacle.

To Use:

Before first use, wash grill grates in hot soapy water, rinse and dry. Season the surface by wiping on a thin coating of cooking oil. Remove excess oil by wiping with a paper towel. Repeat the seasoning process when grill grates are cleaned in the dishwasher or anytime a sugar-based marinade is used.

- Preheat grill on High for 5 minutes. Preheating improves the flavor and appearance of meats and quickly sears the meat to help retain the juices.
- Turn knob to desired cook setting. Place food on grill.

Downdraft Ventilation System

The built-in downdraft ventilation system removes cooking vapors, odors and smoke from foods prepared on the cooktop.

IMPORTANT: For optimal performance, operate the downdraft ventilation system with the filter properly installed.

To avoid the buildup of grease, the filter should be cleaned often.

The downdraft ventilation system will operate automatically when the grill is in use.

For more information on proper filter placement and cleaning, see “Downdraft Ventilation System” in the “General Cleaning” section.

To Use:

The ventilation fan can be set to Low, High or Off.

Press VENT FAN once for Low, a second time for High, and a third time to turn the fan Off.

Home Canning

When canning for long periods, alternate the use of surface burners between batches. This allows time for the most recently used areas to cool.

- Center the canner on the grate above the burner.
- Do not place canner on 2 surface burners at the same time.
- For more information, contact your local agricultural department. Companies that manufacture home canning products can also offer assistance.

Cookware

IMPORTANT: Do not leave empty cookware on a hot surface cooking area, element or surface burner.

Ideal cookware should have a flat bottom, straight sides and a well-fitting lid, and the material should be of medium-to-heavy thickness.

Rough finishes may scratch the cooktop or grates. Aluminum and copper may be used as a core or base in cookware. However, when used as a base they can leave permanent marks on the cooktop or grates.

Cookware material is a factor in how quickly and evenly heat is transferred, which affects cooking results. A nonstick finish has the same characteristics as its base material. For example, aluminum cookware with a nonstick finish will take on the properties of aluminum.

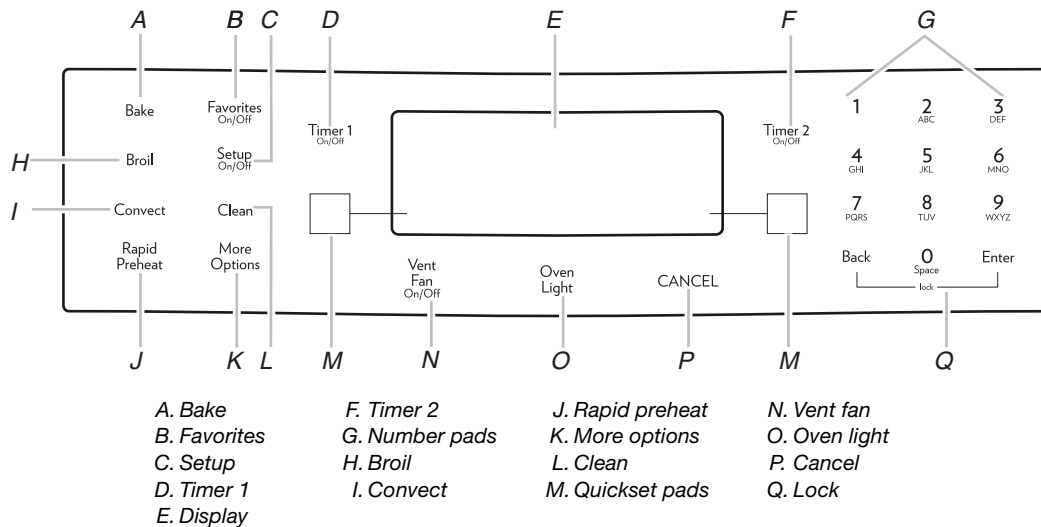
Cookware with nonstick surfaces should not be used under the broiler.

Use the following chart as a guide for cookware material characteristics.

COOKWARE	CHARACTERISTICS
Aluminum	<ul style="list-style-type: none"> Heats quickly and evenly. Suitable for all types of cooking. Medium or heavy thickness is best for most cooking tasks.
Cast iron	<ul style="list-style-type: none"> Heats slowly and evenly. Good for browning and frying. Maintains heat for slow cooking.
Ceramic or Ceramic glass	<ul style="list-style-type: none"> Follow manufacturer’s instructions. Heats slowly, but unevenly. Ideal results on low to medium heat settings.
Copper	<ul style="list-style-type: none"> Heats very quickly and evenly.
Earthenware	<ul style="list-style-type: none"> Follow manufacturer’s instructions. Use on low heat settings.
Porcelain enamel-on-steel or cast iron	<ul style="list-style-type: none"> See stainless steel or cast iron.
Stainless steel	<ul style="list-style-type: none"> Heats quickly, but unevenly. A core or base of aluminum or copper on stainless steel provides even heating.

ELECTRONIC OVEN CONTROL

JDS9860 and JDS9865



Electronic Control Pads

When pressing any control pad function on the Electronic Oven Control, use the pad of your finger to press the desired function. Hold down the pad a few seconds, or until the desired function appears in the display.

Oven Display

When power is supplied to the range or after a power interruption, "12:00" and "POWER LOSS" will be displayed. Press CANCEL to clear "POWER LOSS."

When the oven is in use, the display shows the time of day, temperature, and oven setting.

When the oven is not in use, the display shows the time of day.

When using the Timer, for settings of 1 to 59 minutes, the display will count down in minutes and seconds. For settings of 1 hour or more, the display will count down hours and minutes.

Quickset Pads

Quickset pads are located on each side of the display window and are used to select the desired function or option in the display window. To select the option or function, press the Quickset pad next to the word.

If you need to back out of a function or option in the display, press the BACK pad. When your programming is complete, press the ENTER pad or wait 4 seconds and the function will start automatically.

Up arrows indicate additional screens with additional options. Press the QUICKSET pads next to the arrows to scroll through the display.

IMPORTANT: Four seconds after entering the function, option, number or letter, the function will automatically be entered. If more than 30 seconds elapse between steps in programming, the function will be canceled and the display will return to the previous display.

Cancel

The CANCEL button stops any function except the Clock, Timer and Control Lock. When you press the CANCEL button, the display will show the time of day, or the time remaining if the TIMER is being used.

Clock

To Set Clock:

1. Press SETUP.
2. Select CLOCK using the left Quickset pad.
3. Select TIME using the left Quickset pad.
4. Enter the time using the number pads.
5. Press ENTER on the number pads.
6. Select AM or PM in 12-hour mode. (For 24-hour clock, see following.)
7. To exit the Setup mode, press SETUP.

Entering the Day of the Week:

1. Press SETUP.
2. Select CLOCK using the left Quickset pad.
3. Press the right Quickset pad to scroll until DAY is displayed.
4. Select DAY using the left Quickset pad.
5. Use right Quickset pad to scroll through the days.
6. Select the day desired using the left Quickset pad.
7. To exit the Setup mode, press SETUP.

To Set the Clock for a 12- or 24-Hour Format:

The clock can be set to display time in either a 12-hour or 24-hour format.

1. Press SETUP.
2. Select CLOCK using the left Quickset pad.
3. Use right Quickset pad to scroll to 12/24 HOUR.
4. Press the left Quickset pad to select 12/24 HOUR.
5. Select 12 HR or 24 HR using the right or left Quickset pad.
6. To exit Setup mode, press SETUP.

Activating and Canceling the Clock/Day of Week Display:

1. Press SETUP.
2. Select CLOCK using the left Quickset pad.
3. Press the right Quickset pad to scroll until DISABLE is displayed.
4. Select DISABLE using the left Quickset pad.
5. Select TIME using the left Quickset pad.
6. Select ON or OFF using the right or left Quickset pad to turn the clock display On or Off.

Day of the week:

7. Use right Quickset pad to scroll to DAY.
8. Select DAY using the left Quickset pad.
9. Select ON or OFF using the right or left Quickset pad to turn the Day of the Week display On or Off.
10. To exit the Setup mode, press SETUP.

Timers

Setting the Timers (Timer 1 or Timer 2):

1. Press TIMER 1 or TIMER 2.
2. Press one of the displayed times using the Quickset pads, or press the number pads to enter the desired time.

IMPORTANT: Each press of the displayed time choices adds additional time. For example, pressing "10 MIN" three times provides 30 minutes on the timer (0:30).

3. Press ENTER (located on the number pad).

Changing the Amount of Time Entered Once the Timer Starts:

1. Press TIMER 1 or TIMER 2 once.
2. Press the displayed times on the Quickset pads repeatedly until the desired time is entered.
OR
Press the number pads to enter the new desired time.
3. Press Enter pad.

Canceling the Timer:

1. Press TIMER 1 or TIMER 2 twice.

If Both Timers Are Active:

If the desired Timer is already in the foreground, press once for edit mode and twice to cancel the Timer. If the desired Timer is not in the foreground, follow these steps:

1. Press the desired TIMER pad once. The selected Timer will come to the foreground.
2. Press TIMER a second time to access the edit mode in order to make changes.
3. Pressing TIMER a third time will cancel the Timer.

Changing the Timer Beeps:

The signal beeps for TIMER 1 and TIMER 2 can be changed. The options available are 2 beeps every 30 seconds, 2 beeps every 60 seconds or 1 beep only. The default setting is 1 beep.

1. Press SETUP.
2. Use right Quickset pad to scroll to TONES.
3. Select TONES using the left Quickset pad.
4. Use right Quickset pad to scroll to TIMERS TONES.
5. Select TIMERS TONES using the left Quickset pad.
6. Use right Quickset pad to scroll to the desired timer beep format (2-30 SEC, 2-60 SEC or 1 BEEP).
7. Select the desired timer beep using the left Quickset pad.
8. Press SETUP to exit Setup mode.

Locking the Oven Control and Oven Door

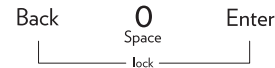
The lock feature shuts down the control pads (buttons) and locks the oven door to avoid unintended use of the oven.

The lock feature is preset unlocked, but can be locked.

If the oven is currently in use, the controls and oven door cannot be locked.

To Lock the Oven Control and Oven Door:

Press and hold BACK and ENTER for 3 seconds or until "CONTROL LOCKED" appears in the display.



To Unlock the Oven Control and Oven Door:

Press and hold BACK and ENTER for 3 seconds. "UNLOCKING DOOR" will appear in the display when the control and door are unlocking.

Oven Light

The oven light automatically comes on when the door is opened. When the door is closed, press the OVEN LIGHT pad to turn the oven light on and off. A beep will sound every time the Oven Light pad is pressed. If the oven light is on when the door is opened, the light will go off when the door is closed.

Setup

1. Press SETUP to begin.
2. Use right Quickset pad to scroll through Setup options.
3. Select the desired option by pressing the Quickset pads.

NOTE: To back out of a screen without making any changes, press the Setup pad. The display will return to the time of day.

Clock

See the "Clock" section for more details. Use the Clock option to:

- Set the time of day.
- Set day of week.
- Select AM or PM (12-hour mode only). AM or PM will not show with the time of day in the display.
- Choose a 12- or 24-hour clock display.
- Disable the clock display.

Language

The language of the screens in the display window can be set to English, French or Spanish.

To change the display language from English:

1. Press SETUP.
2. Use right Quickset pad to scroll to LANGUAGE.
3. Select LANGUAGE using the left Quickset pad.
4. Use right Quickset pad to scroll to the desired language.
5. Select the desired language using the left Quickset pad.
6. Press SETUP to exit the Setup menu.

Auto Convect Conversion (on some models)

The oven comes from the factory set for Auto Convect conversion. Auto Convect Conversion automatically reduces the set temperature by 25°F for Convect Bake and Convect Pastry. For Convect Roast, the control will alert you at 75% of the programmed roasting time to check foods for doneness. Convect roast temperatures are not reduced.

NOTES:

- When using Convect Bake and Convect Pastry with the Auto Convect Conversion option turned off, reduce the set temperature by 25°F.
- If Convect Roasting with the Auto Convect conversion option turned off, you will not be required to program a cooking time. Check food at 75% of the conventional time.

To deactivate Auto Convect conversion:

1. Press SETUP.
2. Use right Quickset pad to scroll to AUTO CONVECT.
3. Select AUTO CONVECT using the left Quickset pad.
4. Select OFF using the Quickset pad.
5. Press SETUP to exit the Setup menu.

To reactivate Auto Convect conversion:

1. Press SETUP.
2. Use right Quickset pad to scroll to AUTO CONVECT.
3. Select AUTO CONVECT using the left Quickset pad.
4. Select ON using the Quickset pad.
5. Press SETUP to exit the Setup menu.

C/F (Celsius/Fahrenheit)

The displayed temperature scale can be changed from Fahrenheit to Celsius.

To change the scale:

1. Press SETUP.
2. Use right Quickset pad to scroll to C/F.
3. Select C/F using the left Quickset pad.
4. Select the desired temperature scale using the Quickset pads.
5. Press SETUP to exit the Setup menu.

Sabbath Mode

The oven is set to shut off after 12 hours if you unintentionally leave it on. The Sabbath Mode overrides the 12-hour shutoff and can either be set to come on automatically or can be set manually as desired.

Only Bake or Cook/Hold Bake will operate when the oven is in Sabbath Mode. All other functions are invalid. If a function other than Bake or Cook/Hold Bake is in operation when Sabbath Mode starts, the function will be canceled.

- The oven must be idle to program Sabbath Mode.
- Sabbath Mode cannot be turned on if the keypads are locked out or when the door is locked.
- If the oven is baking when Auto Sabbath Mode starts, there will be no audible beeps.
- All prompts, messages and beeps are deactivated when the Sabbath Mode is active.
- If the oven light is desired while in Sabbath Mode, it must be turned on before the Sabbath Mode is set.
- The self-clean cycle and automatic door lock do not operate during the Sabbath Mode.

- The Bake temperature can be changed during an Active Sabbath Mode. Simply press the Bake pad and then enter the desired temperature using the Quickset pads.
- Pressing the Cancel pad will cancel a Bake cycle; however, the control will stay in the Sabbath Mode.
- The day of the week and AM/PM must be set for Sabbath Auto Mode to operate correctly.

To activate Sabbath mode:

WARNING

Food Poisoning Hazard

Do not let food sit in oven more than one hour before or after cooking.

Doing so can result in food poisoning or sickness.

1. Press SETUP.
2. Use right Quickset pad to scroll to SABBATH.
3. Select SABBATH using the left Quickset pad.
4. Select AUTO or MANUAL.

AUTO will automatically prompt you to enter a Bake temperature on Friday at 2 p.m. and stay in Sabbath mode for 33 hours. "SABBATH" and "SABBATH ENABLE" appear in the display for 90 minutes. If Bake or Cook/Hold Bake are desired during Sabbath Mode, they must be programmed during this 90-minute period before AUTO Sabbath Mode is active.

MANUAL sets the oven to Sabbath Mode for 72 hours. "SABBATH" and "SABBATH ENABLE" appear in the display for 5 minutes. If Bake or Cook/Hold Bake are desired during Sabbath Mode, they must be programmed during this 5-minute period before the MANUAL Sabbath Mode is active.

5. Select ON or OFF.

To cancel Sabbath mode:

1. Press CANCEL.
2. Press and hold SETUP for 5 seconds.

Temp Adjust

Oven temperatures are tested at the factory. It is normal to notice some baking time or browning differences between a new oven and an old one. As ovens get older, the oven temperature can shift.

You may adjust the oven temperature if you think the oven is not baking or browning correctly. To decide how much to change the temperature, set the oven temperature 25°F higher or lower than the temperature in your recipes, then bake. The results of the first bake should give you an idea of how much to adjust the temperature.

To adjust the oven temperature:

1. Press SETUP.
2. Use right Quickset pad to scroll to TEMP ADJUST.
3. Select TEMP ADJUST using the left Quickset pad.
4. Enter the desired temperature change using the number pads.
5. Use the Quickset pads to select "+/-" to indicate an increase or decrease in temperature. The temperature change is displayed at the top of the window.

6. Press ENTER or wait 3 seconds to accept the change.
7. Press SETUP to exit the menu.

The oven temperature does not need to be readjusted if there is a power failure or interruption.

Broiling and cleaning temperatures cannot be adjusted.

208/240V

For improved results when using Bake, the oven can be set from 240V to 208V if your household is on 208V.

To set the oven to 208V:

1. Press SETUP.
2. Use right Quickset pad to scroll to 208/240V.
3. Select 208/240V using the left Quickset pad.
4. Select 208V or 240V using the Quickset pads.
5. Press SETUP to exit the menu.

Tones (beeps)

The number of beeps heard at the end of cooking and at the end of timer operation and their volume can be adjusted.

To change the beeps at the end of cooking:

1. Press SETUP.
2. Use right Quickset pad to scroll to TONES.
3. Select TONES using the left Quickset pad.
4. Use right Quickset pad to scroll to COOK TONE.
5. Select COOK TONE using the left Quickset pad.
6. Use the right Quickset pad to scroll and select:
1-30 SEC to hear 1 beep every 30 seconds.
OR
1-60 SEC to hear 1 beep every 60 seconds.
OR
1 BEEP to hear 1 beep only at the end of cooking.
7. Select the desired beep using the left Quickset pad.
8. Press SETUP to exit.

To change the timer beeps:

1. Press SETUP.
2. Use right Quickset pad to scroll to TONES.
3. Select TONES using the left Quickset pad.
4. Use right Quickset pad to scroll to TIMERS TONES.
5. Select TIMERS TONES using the left Quickset pad.
6. Use the right Quickset pad to scroll and select:
1-30 SEC to hear 1 beep every 30 seconds.
OR
1-60 SEC to hear 1 beep every 60 seconds.
OR
1 BEEP to hear 1 beep only at the end of cooking.
7. Select the desired beep using the left Quickset pad.
8. Press SETUP to exit.

To change the volume of the beeps:

1. Press SETUP.
2. Use right Quickset pad to scroll to TONES.

3. Select TONES using the left Quickset pad.
4. Use right Quickset pad to scroll to VOLUME.
5. Select VOLUME using the left Quickset pad.
6. Use right Quickset pad to scroll and select:
HIGH for the highest volume.
OR
MEDIUM for medium volume.
OR
LOW for the lowest volume.
7. Select the desired volume using the left Quickset pad.
8. Press SETUP to exit.

12 HR Shutoff

The oven will automatically turn off at the end of 12 hours if you unintentionally leave it on.

To turn off this feature:

1. Press SETUP.
2. Use right Quickset pad to scroll to 12HR SHUTOFF.
3. Select 12HR SHUTOFF using the left Quickset pad.
4. Select ON or OFF using the Quickset pads.
5. Press SETUP to exit.

Energy Saver

To save energy, the display can be set to go dark if it is not being used.

To set the Energy Saver feature:

1. Press SETUP.
2. Use right Quickset pad to scroll to ENERGY SAVER.
3. Select ENERGY SAVER using the left Quickset pad.
4. Select ON or OFF using the Quickset pads.
5. Press SETUP to exit.

Press any pad to "wake up" the display.

Service

This area of the oven control displays the Jenn-Air eXperience Center toll-free phone number.

1. Press SETUP.
2. Use right Quickset pad to scroll to SERVICE.
3. Select SERVICE using the left Quickset pad to display the number.
4. Press SETUP to exit.

Demo

When Demo is selected, you will see a short presentation highlighting the features of the range.

1. Press SETUP.
2. Use right Quickset pad to scroll to DEMO.
3. Select DEMO using the left Quickset pad.
4. Select ON using the left Quickset pad.
5. Press SETUP to exit.

OVEN USE

Odors and smoke are normal when the oven is used the first few times, or when it is heavily soiled.

IMPORTANT: The health of some birds is extremely sensitive to the fumes given off. Exposure to the fumes may result in death to certain birds. Always move birds to another closed and well-ventilated room.

Aluminum Foil

IMPORTANT: To avoid permanent damage to the oven bottom finish, do not line the oven bottom with any type of foil or liner.

- For best cooking results, do not cover entire rack with foil because air must be able to move freely.
- To catch spills, place foil on rack below dish. Make sure foil is at least ½" (1.3 cm) larger than the dish and that it is turned up at the edges.

Positioning Racks and Bakeware

IMPORTANT: To avoid permanent damage to the porcelain finish, do not place food or bakeware directly on the oven door or bottom.

Racks

- Depending on your model, 2 or 3 standard flat racks are included.
- Position racks before turning on the oven.
- Do not position racks with bakeware on them.
- Make sure racks are level.

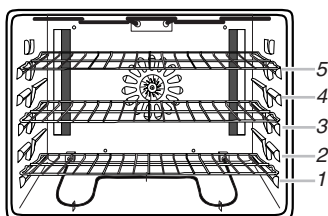
To Remove Oven Racks:

Pull rack out to the stop position, raise the front edge, and then pull out.

To Replace Oven Racks:

Place rack on the rack support in the oven. Tilt the front edge up slightly, and slide rack back until it clears the stop position. Lower front and slide back into the oven.

Rack Positions



Traditional Cooking

FOOD	RACK POSITION
2-rack cooking and broiling.	5
2-rack baking and broiling.	4
Most baked goods on a cookie sheet or jelly roll pan, layer cakes, fruit pies, frozen convenience foods.	3
Roasting small cuts of meat, casseroles, baking loaves of bread, bundt cakes, custard pies, frozen pies or 2-rack baking.	2
Large cuts of meat and poultry, dessert souffles, angel food cake, or 2-rack baking.	1

Multiple Rack Cooking

Two rack: Use rack positions 2 and 5 or 1 and 4.

Convection Cooking (on some models)

FUNCTION	NUMBER OF RACKS USED	RACK POSITION(S)
Convection baking or roasting	1	1, 2 or 3
Convection baking	2	2 and 4
Convection baking	3	1, 3 and 5

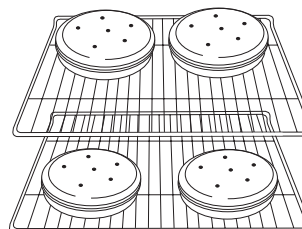
Multiple Rack Convection Cooking

Three rack (on some models): Use rack positions 1, 3 and 5.

NOTE: When convection baking on 2 or 3 racks, check foods at the minimum suggested time to avoid overbrowning or overcooking.

Baking Layer Cakes on Two Racks

For best results when baking cakes on 2 racks with or without convection (on some models), use racks 2 and 5. Place the cakes on the rack as shown.



BAKEWARE

To cook food evenly, hot air must be able to circulate. Allow 2" (5.0 cm) of space around bakeware and oven walls. Use the following chart as a guide.

NUMBER OF PAN(S)	POSITION ON RACK
1	Center of rack.
2	Side by side or slightly staggered.
3 or 4	Opposite corners on each rack. Make sure that no bakeware piece is directly over another.

Bakeware

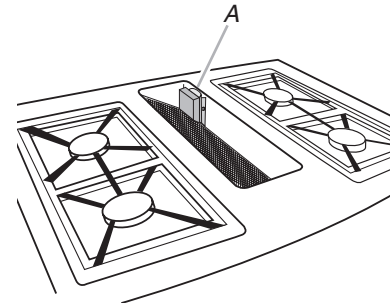
The bakeware material affects cooking results. Follow manufacturer's recommendations and use the bakeware size recommended in the recipe. Use the following chart as a guide.

BAKEWARE/ RESULTS	RECOMMENDATIONS
Light colored aluminum <ul style="list-style-type: none">■ Light golden crusts■ Even browning	<ul style="list-style-type: none">■ Use temperature and time recommended in recipe.
Dark aluminum and other bakeware with dark, dull and/or nonstick finish <ul style="list-style-type: none">■ Brown, crisp crusts	<ul style="list-style-type: none">■ May need to reduce baking temperatures slightly.■ Use suggested baking time.■ For pies, breads and casseroles, use temperature recommended in recipe.■ Place rack in center of oven.
Insulated cookie sheets or baking pans <ul style="list-style-type: none">■ Little or no bottom browning	<ul style="list-style-type: none">■ Place in the bottom third of oven.■ May need to increase baking time.
Stainless steel <ul style="list-style-type: none">■ Light, golden crusts■ Uneven browning	<ul style="list-style-type: none">■ May need to increase baking time.
Stoneware/Baking stone <ul style="list-style-type: none">■ Crisp crusts	<ul style="list-style-type: none">■ Follow manufacturer's instructions.
Ovenproof glassware, ceramic glass or ceramic <ul style="list-style-type: none">■ Brown, crisp crusts	<ul style="list-style-type: none">■ May need to reduce baking temperatures slightly.

Meat Thermometer

On models without a temperature probe, use a meat thermometer to determine whether meat, poultry and fish are cooked to the desired degree of doneness. The internal temperature, not appearance, should be used to determine doneness. A meat thermometer is not supplied with this appliance. Follow manufacturer's directions for using a meat thermometer.

Oven Vent



A. Oven vent

The oven vent releases hot air and moisture from the oven, and should not be blocked or covered. Blocking or covering the vent will cause poor air circulation, affecting cooking and cleaning results. Do not set plastics, paper or other items that could melt or burn near the oven vent.

Bake

The BAKE function is ideal for baking, roasting or heating foods. During baking or roasting, the bake and broil elements will cycle on and off in intervals to maintain oven temperature.

To Bake:

Before baking, position racks according to the "Positioning Racks and Bakeware" section.

For baking, allow the range to preheat before placing food in the oven.

1. Press BAKE.
2. Select the oven temperature using the Quickset pads.

OR

Enter the desired temperature using the number pads. The temperature can be set from 170°F (80°C) to 550°F (288°C) in 5°F (1° in Celsius) increments.

3. Press ENTER to set.

After 3 seconds, the oven will begin to preheat. "BAKE" and "PREHEAT" will appear in the display along with "100" ("38" in Celsius) or the actual oven temperature, whichever is higher.

The temperature in the display will increase in 1° increments until the oven reaches the preset temperature. Allow about 15 minutes for the oven to preheat.

When the oven is preheated, the oven will beep and "PREHEAT" will disappear from the display.

To change the oven temperature during cooking, press BAKE and select a displayed temperature or use the number pads to enter the desired temperature.

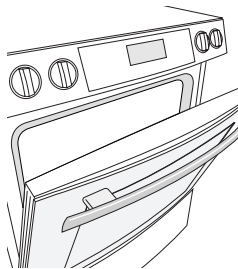
4. Press CANCEL when finished cooking. Remove food from the oven.

Broil

Broiling uses direct radiant heat to cook food. Changing the temperature when broiling allows more precise control when cooking. The lower the temperature, the slower the cooking. Thicker cuts and unevenly shaped pieces of meat, fish and poultry may cook better at lower broiling temperatures.

- For best results, use a broiler pan and grid. They are designed to drain juices and help avoid spatter and smoke.
If you would like to purchase a Premium Broil Pan and Roasting Rack, a set may be ordered. See "Assistance or Service" section to order. Ask for Part Number W10123240.
- For proper draining, do not cover the grid with foil. The bottom of the pan may be lined with aluminum foil for easier cleaning.
- Trim excess fat to reduce spattering. Slit the remaining fat on the edges to avoid curling.
- Pull out oven rack to stop position before turning or removing food. Use tongs to turn food to avoid the loss of juices. Very thin cuts of fish, poultry or meat may not need to be turned.
- After broiling, remove the pan from the oven when removing the food. Drippings will bake on the pan if left in the heated oven, making cleaning more difficult.

Before broiling, position rack according to the Broiling Chart. Preheat broil for about 5 minutes. Position food on grid in the broiler pan, then place it in the center of the oven rack. Close the door to the broil stop position to ensure proper broiling temperature.



To Broil:

Before broiling, position rack according to the Broiling Chart.

1. Press BROIL.
2. "HIGH" and "LOW" will be displayed.
Use the Quickset pads to select HIGH (550°F/290°C) for normal broiling or LOW (450°F/230°C) for low-temperature broiling.
OR
To select a broil temperature other than High or Low, enter the desired temperature (300°F/149°C to 550°F/288°C) using the number pads and press ENTER.
3. Press CANCEL when finished.

BROILING CHART

For best results, place food 3" (7.0 cm) or more from the broil element. Times are guidelines only and may need to be adjusted for individual tastes. Recommended rack positions are numbered from the bottom (1) to the top (5). For diagram, see the "Positioning Racks and Bakeware" section.

FOOD	RACK POSITION	TOTAL TIME MIN.
Steak		
1" (2.5 cm) thick medium well-done	4	18-20
1" (2.5 cm) thick well-done	4	18-22
Ground meat patties		
½" (1.3 cm) thick well-done	4	10-12
Pork chops		
1" (2.5 cm) thick Bone-in	4	25-28
1" (2.5 cm) thick Boneless	4	20-28
Ham slice, precooked		
1" (2.5 cm) thick warm	4	12-16
Chicken		
bone-in breasts	3	LOW broil 20-33
boneless, skinless breasts	4	12-15
Seafood		
Fish Steaks		
1" (2.5 cm) thick flaky	3 or 4	10-14
Lobster tails		
3-4 oz (85-113 g) each	4	7-10

Convection Cooking (on some models)


In a convection oven, the fan-circulated hot air continually distributes heat more evenly than the natural movement of air in a standard thermal oven. This movement of hot air helps maintain a consistent temperature throughout the oven, cooking foods more evenly, crisping surfaces while sealing in moisture and yielding crustier breads.

Most foods can be cooked by lowering cooking temperatures 25°F to 50°F (14°C to 28°C), and cooking time can be shortened by as much as 30 percent, especially for large turkeys and roasts.

- It is important not to cover foods with lids or aluminum foil so that surface areas remain exposed to the circulating air, allowing browning and crisping.
- Keep heat loss to a minimum by opening the oven door only when necessary.
- Choose cookie sheets without sides and roasting pans with lower sides to allow air to move freely around the food.

- Test baked goods for doneness a few minutes before the minimum cooking time with a method such as using a toothpick.

⚠ WARNING



Burn Hazard

Use an oven mitt to remove temperature probe.

Do not touch broil element.

Failure to follow these instructions can result in burns.

- Use a meat thermometer or the temperature probe (on some models) to determine the doneness of meats and poultry.

Convect Bake (on some models)

Convect Bake can be used to bake and cook foods on single or multiple racks. It is helpful to stagger items on the racks to allow a more even flow of heat. If the oven is full, extra cooking time may be needed.

When cooking an oven meal with several different types of foods, be sure to select recipes that require similar temperatures. Cookware should sit in the oven with at least 1" (2.5 cm) of space between the cookware and the sides of the oven.

Allow the range to preheat before placing food in the oven.

During convection baking preheat, the broil elements and the bake element all heat the oven cavity. After preheat, the convection element will cycle on and off in intervals to maintain oven temperature, while the fan constantly circulates the hot air.

If the oven door is opened during convection baking or preheating, the convection element and fan will turn off immediately. They will come back on once the door is closed.

- Reduce recipe temperature 25°F (14°C). The cook time may need to be reduced also.

To Convect Bake:

Before convection baking, position racks according to the "Positioning Racks and Bakeware" section.

1. Press CONVECT.
2. Select CNVT BAKE using the left Quickset pad.
3. Select the oven temperature using the Quickset pads.
OR
Press the number pads to enter a temperature. The temperature can be set between 195°F and 550°F (91°C and 288°C) in 5° increments when Auto Convect is on. If Auto Convect is off, temperature can be set from 170°F (77°C).
4. Press ENTER.
After 3 seconds, the oven will begin to preheat. "CNVT BAKE" and "PREHEAT" will appear in the display along with 100° or the actual oven temperature, whichever is higher.
The temperature in the display will increase in 1° increments until the oven reaches the preset temperature. Allow about 15 minutes for the oven to preheat.

When the oven is preheated, the oven will beep, "PREHEAT" will turn off and "CNVT BAKE" will be displayed. "AUTO" will be displayed if Auto Convect conversion feature is turned on.

5. Place food in the oven.
6. Press CANCEL when finished cooking.

Convect Roast (on some models)

⚠ WARNING

Food Poisoning Hazard

Do not let food sit in oven more than one hour before or after cooking.

Doing so can result in food poisoning or sickness.

Convection Roast can be used to roast meat and poultry, and vegetables.

To Convect Roast:

Before convection roasting, position racks according to the "Positioning Racks and Bakeware" section. It is not necessary to wait for the oven to preheat before putting food in, unless recommended in the recipe. If a recipe suggest preheating the oven, add 15 minutes to the cook time.

1. Place food in the oven.
2. Press CONVECT.
3. Use the right Quickset pad to scroll to CNVT ROAST.
4. Select CNVT ROAST using the left Quickset pad.
5. Select the oven temperature using the Quickset pads.
OR
Enter the desired temperature using the number pads.
The temperature can be set between 170°F and 550°F (77°C and 288°C).
6. Press ENTER pad to set.
7. Select the cook time using the Quickset pads.
OR
Enter the desired cook time using the number pads.
NOTE: If Auto Convect is off, a roast time will not be required.
8. Press ENTER pad to set.
After 3 seconds, the oven will begin to heat. "CNVT ROAST" will appear in the display along with "100°" or the actual oven temperature, whichever is higher.
The temperature in the display will increase in 1° increments until the oven reaches the preset temperature.
Cook time will begin to count down.
9. At 75% of the cooking time the oven will beep to let you know to check food. Check food using a meat thermometer.
If food is done, take food out of oven and press CANCEL pad to turn oven off.
If food is not done, continue roasting.
Once the set time has elapsed the oven will automatically go into Keep Warm™ mode for 1 hour and then shut off. If food is taken from the oven before the hour has elapsed, press the CANCEL pad.

Convect Pastry (on some models)

Convect Pastry is designed to bake pastry items such as frozen pies, turnovers, cream puffs and puff pastry. Use 1, 2 or 3 racks while using this feature.

1. Press CONVECT.
2. Use the right Quickset pad to scroll to CNVT PASTRY.
3. Select CNVT PASTRY using the left Quickset pad.
4. Select the oven temperature using the Quickset pads.
OR
Enter the desired temperature using the number pads.
The temperature can be set between 195°F and 550°F (91°C and 288°C) in 5° increments.

5. Press ENTER pad to set.
After 3 seconds, the oven will begin to preheat. "CNVT PASTRY" and "PREHEAT" will appear in the display along with "100°" or the actual oven temperature, whichever is higher. AUTO will display if the Auto Convect conversion feature is turned on.
The temperature in the display will increase in 1° increments until the oven reaches the preset temperature. Allow about 15 minutes for the oven to preheat.
When the oven is preheated, the oven will beep, "PREHEAT" will turn off and "CNVT PASTRY" will be displayed.
6. Press CANCEL when finished cooking.

Rapid Preheat (on some models)

Use Rapid Preheat to decrease preheating time when using Bake or Convect Bake. Use for all foods when baking on 1 rack.

For best results, use rack position 2 or 3 when using the Rapid Preheat option.

For optimum baking and browning results, Rapid Preheat is not recommended when baking on multiple racks.

To Activate:

After Bake or Convect Bake has been programmed and activated, press RAPID PREHEAT.

"1 RACK ONLY" will display, after 10 seconds the display will show "RAPID" and "PREHEAT."

Preheat time is 5 minutes.

To Return to Standard Preheat:

Press RAPID PREHEAT. This will provide standard preheat. "PREHEAT" and the selected function will be displayed.

More Options

WARNING

Food Poisoning Hazard

Do not let food sit in oven more than one hour before or after cooking.

Doing so can result in food poisoning or sickness.

Cook & Hold

1. Press MORE OPTIONS.
2. Select COOK/HOLD using the left Quickset pad.

3. Select the cook time using the Quickset pads.
OR
Enter the desired cook time using the number pads.
 4. Press ENTER pad to set.
 5. Select BAKE or CONVECT using the Quickset pads.
When CONVECT is pressed, scroll to CNVT BAKE, CNVT ROAST or CNVT PASTRY then select the desired function using the left Quickset pad.
 6. Select the temperature using the Quickset pads.
OR
Enter the desired temperature using the number pads.
- IMPORTANT:** If the recipe recommends preheating the oven, add 15 minutes to the cook time.

Delay

To Set Delay Bake:

1. Press MORE OPTIONS.
2. Use the right Quickset pad to scroll to DELAY.
3. Select DELAY using the left Quickset pad.
4. Select Delay time using Quickset pads or the number pads.
5. Select BAKE.
6. Select from the displayed temperatures or use the number pads to enter the temperature.
7. Select the time to cook from the displayed times or use the number pads to enter the cooking time.
8. The display will show "DELAY TIME," the selected function, the preset temperature and the delay time countdown.

When the delay time has expired, the cook time will be displayed and the oven will begin to preheat.

To Set Delay Convect (on some models):

1. Press MORE OPTIONS.
2. Use the right Quickset pad to scroll to DELAY.
3. Select DELAY using the left Quickset pad.
4. Select Delay time using Quickset pads or the number pads.
5. Use the right Quickset pad to scroll to CONVECT.
6. Select CONVECT using the left Quickset pad.
7. Use the right Quickset pad to scroll to CNVT BAKE, CNVT ROAST or CNVT PASTRY.
8. Select the desired function using the left Quickset pad.
9. Select from the displayed temperatures or use the number pads to enter the temperature.
10. Select the time to cook from the displayed times or use the number pads to enter the cooking time.

The display will show "DELAY TIME," the selected function, the preset temperature and the delay time countdown.

When the delay time has expired, the cook time will be displayed and the oven will begin to preheat.

Proofing (on some models)

The Proofing feature can be used to raise yeast-based bread products prior to baking. There are two proofing methods available – Rapid and Standard.

Standard proofing in the oven avoids damage to dough from room temperature changes or drafts that commonly affect proofing done on the countertop.

Rapid proofing provides faster proofing results than countertop or Standard proofing, without harming the yeast.

To Proof:

1. Press MORE OPTIONS.
2. Use the right Quickset pad to scroll to PROOFING.
3. Select PROOFING using the left Quickset pad.
4. Select RAPID or STANDARD using the Quickset pads.
5. Press CANCEL when finished proofing.

NOTES:

- For any dough that requires one rise, either Standard or Rapid Proofing can be used.
- When using frozen bread dough, choose RAPID PROOFING. There is no need to thaw dough before proofing.
- For dough requiring 2 rises, Standard Proofing must be used for the first rising period. Either Standard or Rapid Proofing can be used for the second rise.
- If oven temperature is too high for proofing, "OVEN COOLING" will appear in the display.

Keep Warm™ Feature

IMPORTANT: Food must be at serving temperature before placing it in the warmed oven. Food may be held up to 1 hour; however, breads and casseroles may become too dry if left in the oven during Keep Warm™.

The Keep Warm™ feature allows hot cooked foods to stay at serving temperature. It can also be used at the end of a timed cook.

Follow manufacturer's recommendations when warming empty serving bowls and plates.

To Use:

1. Press MORE OPTIONS.
2. Use the right Quickset pad to scroll to KEEP WARM.
3. Select KEEP WARM using the left Quickset pad.
4. Select one of the displayed temperatures or enter desired temperature using the number pads. Temperatures can be selected between 145°F and 190°F (63°C and 88°C).
"KEEP WARM" and the temperature will be displayed.
"PREHEAT" will be displayed until the programmed temperature is reached.
When oven has preheated, a beep sounds and "KEEP WARM" and the temperature will be displayed.
5. Press CANCEL when finished.

To Warm Dinner Rolls:

1. Cover rolls loosely with foil and place in oven.
2. Press MORE OPTIONS.
3. Use the right Quickset pad to scroll to KEEP WARM.
4. Select KEEP WARM using the left Quickset pad.
5. Select 170° (77° in Celsius) temperature. Warm for 12 to 15 minutes.

To Warm Plates:

NOTES:

Use only oven-safe plates. Check with the manufacturer. To avoid crazing or breakage, do not set warm dishes on a cold surface.

1. Place 2 stacks of up to 4 plates each in the oven.
2. Press MORE OPTIONS.
3. Use the right Quickset pad to scroll to KEEP WARM.
4. Select KEEP WARM using the left Quickset pad.

5. Select 170° (77° in Celsius) temperature. Warm for 5 minutes. Press CANCEL to turn off the oven and leave plates in the oven for 15 minutes more.

Meat Probe (on convection models)

! WARNING



Burn Hazard

Use an oven mitt to remove temperature probe.

Do not touch broil element.

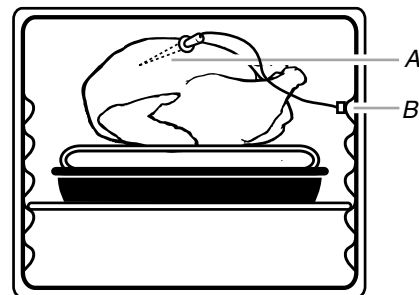
Failure to follow these instructions can result in burns.

The meat probe accurately measures the internal temperature of meat, poultry and casseroles with liquid and should be used in determining the doneness of meat and poultry. It should not be used during full and center broiling, convection broiling, dehydrating or proofing bread.

Always unplug and remove the meat probe from the oven when removing food.

To Use:

Before using, insert the probe into the center of the thickest portion of meat or into the inner thigh or breast of poultry, away from fat or bone at an angle as shown in following diagram. Place food in oven. Using the handle of the probe, connect the meat probe to the jack. Keep probe as far away from heat source as possible. Close oven door.



A. Meat probe

B. Meat probe jack

1. Press MORE OPTIONS.
2. Use the right Quickset pad to scroll to MEAT PROBE.
3. Select MEAT PROBE using the left Quickset pad.
4. Set the desired internal food temperature by selecting one of the displayed temperatures or use the number pads to enter the temperature. The probe temperature can be set between 100°F and 185°F (38°C and 85°C).
If the meat probe is not inserted, INSERT PROBE will be displayed.
5. Select BAKE or CONVECT.
6. If CONVECT was selected, select CNVT BAKE, CNVT ROAST or CNVT PASTRY.

7. Set the oven temperature by selecting one of the displayed temperatures or use the number pads to enter the temperature.

The display will briefly show the selected temperatures for the oven and probe.

After 10 seconds, the display will show the actual oven temperature and actual probe temperature.

IMPORTANT: If the probe is removed from the oven receptacle at any time during the cooking process, the control will prompt INSERT PROBE. If the probe is not reinserted within 30 seconds, the program will be canceled and the oven will turn off.

8. When the selected internal temperature of the food has been reached, the oven will shut off and "PROBE END" appears on the display.

NOTE: To avoid overcooking the food, remove it from the oven as soon as the oven shuts off.

9. Using the handle of the probe, remove the probe from the jack. The probe will be hot. Hold probe with an oven mitt or pot holder when removing from the oven.

To Change Probe Temperature, Oven Setting:

Press CANCEL, then repeat previous steps.

After cooking, unplug the probe and remove food from oven.

See "General Cleaning" section to clean probe.

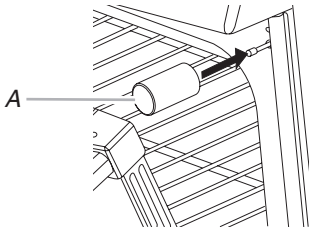
Drying (on some models)

For best results, use a drying rack. A drying rack allows air to circulate evenly around the food.

The convection fan will operate during the drying procedure.

To Set Drying:

1. Open the oven door slightly. The oven door needs to be opened slightly to allow moisture to escape from the oven during the drying process.
2. Place the magnetic door spacer Part Number 8010P146-60 over the plunger switch. The spacer provides a gap between the oven frame and the oven door to allow moisture to escape.



A. Magnetic door spacer

3. Gently close the door until the spacer magnet makes contact with the oven door. The magnet will hold the spacer in the proper position during the drying process and allows the door to be opened at any time during drying without losing proper positioning.

IMPORTANT: If the spacer is not placed correctly, the convection fan will not operate.

4. Press CONVECT.
5. Use the right Quickset pad to scroll to DRYING.
6. Select DRYING using the left Quickset pad.
7. Use the Quickset pads to select a displayed temperature or enter a temperature with the number pads. Temperatures can be set between 100°F and 200°F (38°C and 93°C).
8. "DRYING" and the temperature will be displayed. "PREHEAT" will be displayed until the programmed temperature is reached.
9. Press CANCEL when finished drying.

Follow the Drying Guide chart for drying times.

Check foods at minimum times given. Cool foods to room temperature before testing for doneness.

DRYING GUIDE CHART

- The length of drying times vary due to water and sugar content of food, size of food pieces, amount of food being dried, humidity in the air.
- Check foods at the minimum drying time. Dry longer if necessary.
- Fruits that turn brown when exposed to air should be treated with an antioxidant. Try one of the following methods:
 1. Dip fruit in a mixture of 3 tbs (44.4 mL) lemon juice to 1 qt (0.95 L) of cool water.
 2. Soak fruit in a solution of 1 tsp (4.9 mL) ascorbic acid or commercial antioxidant to 1 qt (0.95 L) of cold water.
- Most fruits and vegetables dry well and retain their color when dried at 140°F (60°C). Meat and jerky should be dried between 145°F and 150°F (63°C and 65°C). For optimal flavor, dry herbs at 100°F (38°C), however, at this lower temperature expect extended drying times of up to 8 hours.
- Foods may drip during the drying process. After drying high acid or sugary foods, clean the oven bottom with soap and water. The porcelain oven finish may discolor if acidic or sugary food soils are not wiped up prior to high heat or a self-cleaning cycle.
- More than one rack of food may be dried at the same time. However, additional drying time is needed.
- Refer to other resources at your local library or call your local agricultural department service for additional information.

FOOD	VARIETIES BEST FOR DRYING	PREPARATION	APPROX. DRY TIME AT 140°F (60°C) [HOURS]**	TEST FOR DONENESS AT MINIMUM DRY TIME
FRUIT				
Apples*	Firm varieties: Graven Stein, Granny Smith, Jonathan, Winesap, Rome Beauty, Newton	Wash, peel if desired, core and slice into 1/8" (3.0 mm) slices.	4 to 8	Pliable to crisp. Dried apples store best when slightly crisp.
Apricots*	Blenheim/Royal most common. Tilton also good.	Wash, halve, and remove pits.	18 to 24	Soft and pliable
Bananas*	Firm varieties	Peel and cut into 1/4" (6.0 mm) slices.	17 to 24	Pliable to crisp
Cherries	Lambert, Royal Ann, Napoleon, Van or Bing	Wash and remove stems. Halve and remove pits.	18 to 24	Pliable and leathery
Nectarines and Peaches*	Freestone varieties	Halve and remove pits. Peeling is optional but results in better-looking dried fruit.	24 to 36	Pliable and leathery
Pears*	Bartlett	Peel, halve and core.	24 to 36	Soft and pliable
Pineapple	Fresh or canned	Wash peel and remove thorny eyes. Slice lengthwise and remove the small core. Cut crosswise into 1/2" (12.0 mm) slices.	Canned: 14 to 18 Fresh: 12 to 16	Soft and pliable
Orange and Lemon peel	Select rough-skinned fruit. Do not dry the peel of fruit marked "color added."	Wash well. Thinly peel the outer 1/16" to 1/8" (1.5 mm to 3.0 mm) of the peel.	1 to 2	Tough to brittle
VEGETABLES				
Tomatoes	Plum, Roma	Halve, remove seeds. Place skin side up on rack. Prick skins.	12 to 18	Tough to crisp
Carrots	Danvers Half Long, Imperator, Red Cored Chantenay	Do not use carrots with woody fiber or pithy core. Wash, trim tops and peel if desired. Slice crosswise or diagonally into 1/4" (6.0 mm) slices. Steam blanch for 3 min.	4 to 8	Tough to brittle
Hot Peppers	Ancho, Anaheim	Wash, halve and seed. Prick skin several times.	4 to 6	Pods should appear shriveled, dark red and crisp.
HERBS				
Parsley, Mint, Cilantro, Sage, Oregano		Rinse in cold water. Pat dry with a paper towel. Leave stems on until leaves are dry, then discard.	1 to 3	Brittle and crumbly
Basil		Cut leaves 3" to 4" (7.6 cm to 10.2 cm) from top of plant just as buds appear. Rinse leaves in cold water.	2 to 5	Brittle and crumbly

*Fruits requiring an antioxidant to avoid discoloration.

**12 Hour Off will not occur during drying functions.

Thaw and Serve (on some models)

! WARNING

Food Poisoning Hazard

Do not let food sit in oven more than one hour before or after cooking.

Doing so can result in food poisoning or sickness.

Use Thaw and Serve to thaw frozen foods that require thawing, but not cooking, before serving.

IMPORTANT: This feature is not meant for thawing meats or other foods that need to be cooked before serving.

To Set Thaw-Serve:

1. Place food in the oven on rack 2.
2. Press CONVECT.
3. Use the right Quickset pad to scroll to THAW-SERVE.
4. Select THAW-SERVE using the left Quickset pad.
5. Select thaw time using the Quickset pads.
OR
Enter the desired time using the number pads.
6. Press ENTER to set. "THAW-SERVE," "COOK TIME" and the cook time countdown will be displayed.
7. If thawing is complete before time elapses, press the CANCEL pad and remove food from the oven. When the time has elapsed, the oven will turn off and beep.

THAW AND SERVE CHART

FROZEN ITEMS*	THAW-SERVE TIME**	HINTS
Whole Pies and Cakes Pies: Lemon meringue, cream, pecan, chocolate, sweet potato, French silk Cakes: Vanilla, chocolate, coconut, and three-layer cakes, pound cake, Boston cream pie	<ol style="list-style-type: none"> 1. Remove frozen food from outer carton and wrapping. 2. Place frozen food on rack in middle of oven. 3. Thaw-Serve 15 minutes for cakes and 30 minutes for pies. 4. Remove from oven. 5. Slice into individual-size servings and place on plates. 6. Return plates to oven. 7. Thaw-Serve for 10 to 30 minutes. 	Thawing for 30 minutes makes it easier to slice whole pies, cakes and cheesecake. Layer cakes will require only 15 minutes before slicing. Size and texture of food being thawed will affect Thaw-Serve time. Larger or denser desserts may take longer to thaw. Cake slices will thaw quicker than pies. Sweet potato pie slices may require 20 to 30 minutes.
Individual Servings: Slices of pie, slices of cake, other individual desserts, eclairs, cream puffs	<ol style="list-style-type: none"> 1. Remove frozen food from container. 2. Place on plate. 3. Place plate on rack in middle of oven. 4. Thaw-Serve for 10 to 30 minutes. 	
Cheesecake	<ol style="list-style-type: none"> 1. Remove frozen food from outer carton and wrapping. 2. Place frozen food on rack in middle of oven. 3. Thaw-Serve for 30 minutes. 4. Remove from oven. 5. Slice into individual-size servings and place on plates. 6. Return plates to oven. 7. Thaw-Serve for up to 15 minutes if desired. 	

*Only "Thaw and Serve" or "Ready to Serve" frozen foods can be used with this feature. Do not attempt to thaw frozen meats, poultry or seafood.

**It is not necessary to preheat the oven.

Favorites

! WARNING

Food Poisoning Hazard

Do not let food sit in oven more than one hour before or after cooking.

Doing so can result in food poisoning or sickness.

Favorites stores the oven mode, cook time and temperature for up to 10 of your favorite recipes. Five preprogrammed recipes are included for use with convection ovens.

To Select a Recipe from the Preset Recipe List:

1. Press FAVORITES.
2. Select RECIPE LIST using the left Quickset pad.
3. Use the right Quickset pad to scroll to the desired recipe.
4. Select desired recipe using the left Quickset pad.
5. Once the recipe is selected, oven will begin preheating to the set program.

You may press MORE OPTIONS to add COOK/HOLD or DELAY.

6. Press CANCEL when finished cooking.

To Save the Last Recipe Completed:

(Bake, Convection Bake, Convection Roast, Convection Pastry, Convection Broil, Drying, Keep Warm™, Proofing - not all cooking modes are available on all models)

1. Press FAVORITES.
2. Use the right Quickset pad to scroll to SAVE LAST.
3. Select SAVE LAST using the left Quickset pad.
4. Enter the name using the keypads.

After each desired letter wait 3 seconds until an underline appears in the next space before entering the next letter.

For example, to save lasagna, press the "JKL" pad 3 times for "L," press the "ABC" pad once for "A," press the "STU" pad once for "S." Continue until you've finished the word. Up to 14 letters including spaces can be used.

5. Press ENTER to save name.

When the recipe name has been entered, the last settings will be displayed for a few seconds. "RECIPE LIST" will then be displayed.

6. Press FAVORITES to exit the Favorites menu.

To Create a New Favorite Recipe:

1. Press FAVORITES.
2. Use the right Quickset pad to scroll to CREATE NEW.
3. Select CREATE NEW using the left Quickset pad.

4. Enter the name using the keypads.

After each desired letter wait 3 seconds until an underline appears in the next space before entering the next letter.

For example, to save lasagna, press the "JKL" pad 3 times for "L," press the "ABC" pad once for "A," press the "STU" pad once for "S." Continue until you've finished the word. Up to 14 letters including spaces can be used.

5. Press ENTER to save name. SELECT MODE appears.
6. Use the right Quickset pad to scroll to the desired cooking mode, such as Bake, Convection Bake, Convection Roast, etc. (not all cooking modes are available on all models).
7. Select cooking mode using the left Quickset pad.
8. Select the oven temperature using the Quickset pads.
OR
Enter the desired temperature using the number pads.
9. Add Cook/Hold by selecting YES or omit Cook/Hold by selecting NO.
If you selected YES, enter cook time using the Quickset pads or the number pads.
10. Add Delay by selecting YES or omit Delay by selecting NO.
If you selected YES, enter the delay time by using the Quickset pads or the number pads.
11. The control will display programmed settings then return to the Favorites menu.
12. Press FAVORITES to exit the Favorites menu.

To Edit a Saved Recipe:

1. Press FAVORITES.
2. Use the right Quickset pad to scroll to EDIT RECIPE.
3. Select EDIT RECIPE using the left Quickset pad.
4. Use the right Quickset pad to scroll to the desired recipe to edit.
5. Select desired recipe to edit using the left Quickset pad.
6. Press ENTER and follow menu to revise recipe settings as desired.
7. The display will return to the Favorites menu. "RECIPE LIST" will be displayed.
8. Press FAVORITES to exit Favorites menu.

To Delete a Favorite Recipe:

1. Press FAVORITES.
2. Use the right Quickset pad to scroll to DELETE RECIPE.
3. Select DELETE RECIPE using the left Quickset pad.
4. Use the right Quickset pad to scroll to the desired recipe to delete.
5. Select desired recipe to delete using the right Quickset pad.
6. The oven control will ask again to make sure you want to delete that recipe. Select YES or NO.
7. Press FAVORITES to exit Favorites menu.

To exit Favorites at any time, press FAVORITES.

RANGE CARE

Self-Cleaning Cycle (on some models)

! WARNING



Burn Hazard

Do not touch the oven during the Self-Cleaning cycle.

Keep children away from oven during Self-Cleaning cycle.

Failure to follow these instructions can result in burns.

IMPORTANT: The health of some birds is extremely sensitive to the fumes given off during the Self-Cleaning cycle. Exposure to the fumes may result in death to certain birds. Always move birds to another closed and well-ventilated room.

Self-clean the oven before it becomes heavily soiled. Heavy soil results in longer cleaning and more smoke.

Keep the kitchen well-ventilated during the Self-Cleaning cycle to help get rid of heat, odors, and smoke.

Do not block the oven vent(s) during the Self-Cleaning cycle. Air must be able to move freely. Depending on your model, see "Oven Vent" or "Oven Vents" section.

Do not clean, rub, damage or move the oven door gasket. The door gasket is essential for a good seal.

Prepare Oven:

- Remove the broiler pan, grid, cookware and bakeware and, on some models, the temperature probe from the oven.
- Remove oven racks to keep them shiny and easy to slide. See "General Cleaning" section for more information.
- Remove any foil from the oven because it may burn or melt, damaging the oven.
- Hand clean inside door edge and the 1½" (3.8 cm) area around the inside oven cavity frame, being certain not to move or bend the gasket. This area does not get hot enough during self-cleaning to remove soil. Do not let water, cleaner, etc., enter slots on door frame. Use a damp cloth to clean this area.
- Wipe out any loose soil to reduce smoke and avoid damage. At high temperatures, foods react with porcelain. Staining, etching, pitting or faint white spots can result. This will not affect cooking performance.

Prepare Cooktop:

- Remove plastic items from the cooktop because they may melt.

How the Cycle Works

IMPORTANT: The heating and cooling of porcelain on steel in the oven may result in discoloring, loss of gloss, hairline cracks and popping sounds.

The Self-Cleaning cycle uses very high temperatures, burning soil to a powdery ash.

Once the oven has completely cooled, remove ash with a damp cloth. To avoid breaking the glass, do not apply a cool damp cloth to the inner door glass before it has completely cooled.

To Self-Clean:

Before self-cleaning, make sure the door is closed completely. If the oven door is left open, "CLOSE DOOR" will appear in the display until the door is closed.

1. Press CLEAN.
2. "REMOVE RACKS" will be displayed. Remove the racks.
3. Select CONTINUE using the Quickset pad. The Quickset pads are located on either side of the control panel display.
4. Set LIGHT soil level by entering "200" using the number pads for 2 hours of cleaning time.

OR

Select MEDIUM for a moderately soiled oven and 3 hours of cleaning time.

OR

Select HEAVY for a heavily soiled oven and 4 hours of cleaning time.

"CLEAN," "TIME," "LOCKED" and the cleaning time countdown will be displayed while the oven is cleaning.

"OVEN COOLING" will appear in the display when the cleaning time has been completed and the oven is still locked.

The door lock will disengage approximately 1 hour after the cleaning time is completed. OVEN COOLING will go off in the display when the oven door has unlocked.

To Delay Start Self-Clean:

1. Press CLEAN.
2. "REMOVE RACKS" will be displayed. Remove the racks.
3. Select CONTINUE using the Quickset pad.
4. Set LIGHT soil level by entering "200" using the number pads for 2 hours of cleaning time.

OR

Select MEDIUM for a moderately soiled oven and 3 hours of cleaning time.

OR

Select HEAVY for a heavily soiled oven and 4 hours of cleaning time.

The door will lock. "CLEAN," "TIME," "LOCKED" and the cleaning time countdown will be displayed.

5. After door locks, press MORE OPTIONS.
6. Select DELAY using the Quickset pad.
7. Select the number of hours you want to delay the start of the self-cleaning cycle.

The delay time and cleaning time will be displayed.

General Cleaning

IMPORTANT: Before cleaning, make sure all controls are off and the oven and cooktop are cool. Always follow label instructions on cleaning products.

Soap, water and a soft cloth or sponge are suggested first unless otherwise noted.

EXTERIOR PORCELAIN ENAMEL SURFACES (on some models)

Food spills containing acids, such as vinegar and tomato, should be cleaned as soon as the entire range is cool. These spills may affect the finish.

Cleaning Method:

- Glass cleaner, mild liquid cleaner or nonabrasive scrubbing pad:
Gently clean around the model and serial number plate because scrubbing may remove numbers.
- All-Purpose Appliance Cleaner Part Number 31682 (not included):
See "Assistance or Service" section to order.

STAINLESS STEEL (on some models)

To avoid damage to stainless steel surfaces, do not use soap-filled scouring pads, abrasive cleaners, Cooktop Cleaner, steel-wool pads, gritty washcloths or abrasive paper towels.

Cleaning Method:

Rub in direction of grain to avoid damaging.

- Stainless Steel Cleaner and Polish Part Number 31462 (not included):
See "Assistance or Service" section to order.
- Liquid detergent or all-purpose cleaner:
Rinse with clean water and dry with soft, lint-free cloth.

COOKTOP CONTROLS

To avoid damage to the cooktop controls, do not use steel wool, abrasive cleansers or oven cleaner.

To avoid damage, do not soak knobs.

When replacing knobs, make sure knobs are in the Off position.

Do not remove seals under knobs.

Cleaning Method:

- Warm, soapy water:
Pull knobs straight away from control panel to remove.

CONTROL PANEL

To avoid damage to the control panel, do not use abrasive cleaners, steel-wool pads, gritty washcloths or abrasive paper towels.

Cleaning Method:

- Glass cleaner and soft cloth or sponge:
Apply glass cleaner to soft cloth or sponge, not directly on panel.

- All-Purpose Appliance Cleaner Part Number 31682 (not included):
See "Assistance or Service" section to order.

PORCELAIN-COATED GRATES AND CAPS

Food spills containing acids, such as vinegar and tomato, should be cleaned as soon as the cooktop, grates and caps are cool. These spills may affect the finish.

To avoid chipping, do not bang grates and caps against each other or hard surfaces such as cast iron cookware.

Do not reassemble caps on burners while wet.

To avoid damage to the grates and caps, do not clean in the Self-Cleaning cycle.

Cleaning Method:

- Nonabrasive plastic scrubbing pad and mildly abrasive cleanser:
Clean as soon as cooktop, grates and caps are cool.
- Dishwasher (grates only, not caps):
Use the most aggressive cycle. Cooked-on soils should be soaked or scrubbed before going into a dishwasher.
- Gas Grate and Drip Pan Cleaner Part Number 31617:
See "Assistance or Service" section to order.

SURFACE BURNERS

See "Sealed Surface Burners" section.

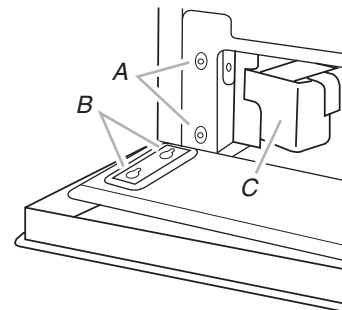
OVEN DOOR EXTERIOR

Cleaning Method:

- Glass cleaner and a soft cloth or sponge:
Apply glass cleaner to soft cloth or sponge, not directly on panel.
- All-Purpose Appliance Cleaner Part Number 31682 (not included):
See "Assistance or Service" section to order.

ACCESS PANEL

The access panel is easily removed. To open panel, grasp sides and pull upward, lifting out. To close panel, align catches with the studs on the range. Press the access panel forward onto the studs and drop downward to engage.



A. Studs
B. Catches
C. Grease cup

Cleaning Method:

- Warm, soapy water.
- Glass cleaner, mild liquid cleaner or nonabrasive scrubbing pad.
- Do not use excessive amounts of water.
IMPORTANT: To avoid the possibility of accidentally disconnecting any part of the ventilation system, do not use the area behind the access panel for storage.

GRILL ELEMENT OR GRILL BURNER

Do not immerse in water. Most soil will burn off during use.

Cleaning Method:

- Warm, soapy water:
Wipe down terminal block.
- Do not use abrasive cleaners.
- Dry thoroughly before inserting back into cooktop.

GRILL GRATES

Cleaning Method:

- Warm, soapy water:
Wash in the sink or in the dishwasher. Do not immerse in water. If washed in dishwasher you will have to re-season the grates. See "Install Grill" section.
- Plastic mesh puff or pad:
Scrub grates to remove stubborn stains. Use only products safe for use on nonstick surfaces. Do not use metal brushes or abrasive scouring pads intended to clean outdoor charcoal grills to avoid scratching and removing finish.
- Do not clean in self-cleaning oven or use oven cleaners on the grates.

GREASE CUP

The grease cup is located on the left side behind the bottom access panel, underneath the range. It collects grease and other liquids created while grilling or using some of the accessories. The grease cup should be checked after each grilling and dumped when grease is present.

Cleaning Method:

- Remove grease cup and dump oil:
Grasp the handle and pull from the bracket holding the container. Dump the grease from the grease cup.
- Warm, soapy water:
The grease cup can be washed in the sink or in the dishwasher.
- Replace grease cup back into bracket and close access door.

OVEN CAVITY

Do not use oven cleaners.

Food spills should be cleaned when oven cools. At high temperatures, foods react with porcelain and staining, etching, pitting or faint white spots can result.

Cleaning Method:

- Self-Cleaning cycle:
See "Self-Cleaning Cycle" first.

OVEN RACKS

Cleaning Method:

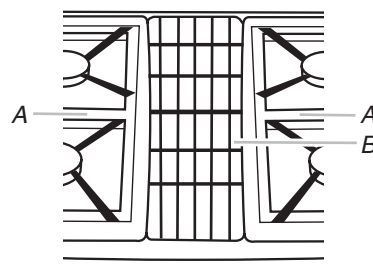
- Self-Cleaning cycle:
See "Self-Cleaning Cycle" first. Remove racks or they will discolor and become harder to slide. If this happens, a light coating of vegetable oil applied to the rack guides will help them slide.
- Steel-wool pad

DOWNDRAFT VENTILATION SYSTEM

Vent Grate

Cleaning Method:

- Lift left and right grates off of cooktop.
- Lift the vent grate off the cooktop.



A. Grates
B. Vent grate

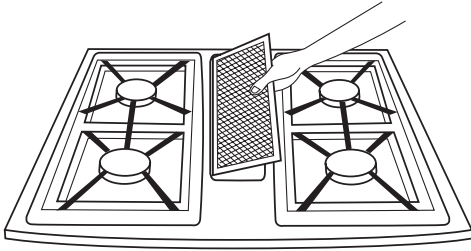
- Wipe clean or wash in sink:
Nonabrasive plastic scrubbing pad and mildly abrasive cleanser
- Dishwasher:
Use mild detergent.

Filter

The filter is a permanent type and should be cleaned when soiled.

Cleaning Method:

- Turn off the downdraft ventilation system before removing the filter.
- Remove vent grate then lift the filter out of the vent chamber.

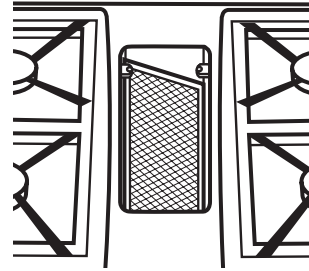


- Clean the filter in the sink with warm water and detergent or in the dishwasher.
- Replace the filter.

The filter should always be placed at an angle. As you face the front of the range, the top of the filter should rest against the left side of the vent opening. The bottom of the filter

should rest against the right side of the vent chamber at the bottom.

If the filter is flat against the fan wall, ventilation effectiveness will be reduced.



Ventilation Chamber

The ventilation chamber, which houses the filter, should be cleaned in the event of spills or when it becomes coated with a film of grease.

Cleaning Method:

- Mild household detergent or cleanser and paper towel, damp cloth or sponge:

Apply detergent or cleanser to paper towel, damp cloth or sponge, not directly to the ventilation chamber.

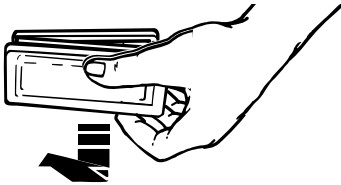
Oven Lights

The oven uses a 120-volt, 20-watt maximum halogen bulb. See the "Assistance or Service" section to order. Ask for Part Number 74004458.

To Replace Oven Light:

Before replacing, make sure the oven is off and cool.

1. Unplug range or disconnect power.
2. Use fingertips to grasp edge of bulb cover. Pull out and remove.



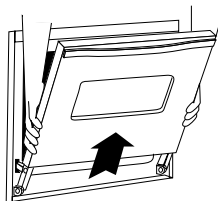
3. Remove bulb from socket by pulling straight out of the ceramic base.
4. Replace bulb, using tissue or wearing cotton gloves to handle bulb. To avoid damage or decreasing the life of the new bulb, do not touch bulb with bare fingers.
5. Replace bulb cover by snapping back into place.
6. Plug in range or reconnect power.

Oven Door

For normal range use, it is not suggested to remove the oven door. However, if removal is necessary, make sure the oven is off and cool. Then, follow these instructions. The oven door is heavy.

To Remove:

1. Open oven door to the first stop position (opened about 4" [10.0 cm]).
2. Grasp door at each side. Do not use the door handle to lift door.
3. Lift up evenly until door clears hinge arms.



To Replace:

1. Grasp door at each side.
2. Align slots in the door with the hinge arms on the range.
3. Slide the door down onto the hinge arms until the door is completely seated on the hinges. Push down on the top corners of the door to completely seat door on hinges. Door should not appear crooked.

TROUBLESHOOTING

Try the solutions suggested here first in order to avoid the cost of an unnecessary service call.

Nothing will operate

⚠ WARNING



Electrical Shock Hazard

Plug into a grounded 3 prong outlet.

Do not remove ground prong.

Do not use an adapter.

Do not use an extension cord.

Failure to follow these instructions can result in death, fire, or electrical shock.

- **Household fuse blown or circuit breaker tripped?**
Replace the fuse or reset the circuit breaker. If the problem continues, call an electrician.
- **Is the main or regulator gas shutoff valve in the off position?**
See Installation Instructions.
- **Is the range properly connected to the gas supply?**
Contact a trained repair specialist or see Installation Instructions.

Surface burners will not operate

- **Is this the first time the surface burners have been used?**
Turn on any one of the surface burner knobs to release air from the gas lines.
- **Is the control knob set correctly?**
Push in knob before turning to a setting.
- **Are the burner ports clogged?**
See "Sealed Surface Burners" section.

Surface burner flames are uneven, yellow and/or noisy

- **Are the burner ports clogged?**
See "Sealed Surface Burners" section.
- **Are the burner caps positioned properly?**
See "Sealed Surface Burners" section.
- **Is propane gas being used?**
The range may have been converted improperly. Contact a service technician or see "Assistance or Service" section.

Surface burner makes popping noises

- **Is the burner wet?**
Let it dry.

Excessive heat around cookware on cooktop

- **Is the cookware the proper size?**
Use cookware about the same size as the surface cooking area, element or surface burner. Cookware should not extend more than ½" (1.3 cm) outside the cooking area.

Cooktop cooking results not what expected

- **Is the proper cookware being used?**
See "Cookware" section.
- **Is the control knob set to the proper heat level?**
See "Cooktop Controls" section.
- **Is the range level?**
Level the range. See the Installation Instructions.

Oven will not operate

- **Is the electronic oven control set correctly?** See "Electronic Oven Control" section.
- **Has a delay start been set?** See "More Options" section.
- **On some models, is the Control Lock set?** See "Locking the Oven Control and Oven Door" section.
- **On some models, is the Sabbath Mode set?** See "Sabbath Mode" in the "Setup" section.

Oven temperature too high or too low

- **Does the oven temperature calibration need adjustment?** See “Temp Adjust” in the “Setup” section.

Display shows messages

- **Is the display showing “FAULT DETECTED?”** A fault has been detected. Follow the displayed directions “PRESS ENTER TO TRY AGAIN” or “DISABLE POWER TO CLEAR.” If the fault does not clear, reappears, or “FEATURE NOT AVAILABLE” is displayed, call for assistance or service.
- **Is “SAb” flashing?** Oven is in Sabbath Mode. To cancel, press and hold the SETUP pad for 5 seconds.

Self-Cleaning cycle will not operate

- **Is the oven door open?** Close the oven door all the way.
- **Has the function been entered?** See “Self-Cleaning Cycle” section.
- **On some models, has a delay start Self-Clean cycle been set?** See “Self-Cleaning Cycle” section.
- **Has a delay start been set?** See “More Options” section.
- **Is the control in Sabbath Mode?** See “Sabbath Mode” in the “Setup” section.
- **Is the oven temperature above 400°F (205°C)?** Let the oven cool before using the self-clean cycle.

Oven cooking results not what expected

- **Is the range level?** Level the range. See the Installation Instructions.
- **Is the proper temperature set?** Double-check the recipe in a reliable cookbook.
- **Is the proper oven temperature calibration set?** See “Temp Adjust” in the “Setup” section.
- **Was the oven preheated?** See “Bake,” “Broil,” or “Convect Bake” section.

- **Is the proper bakeware being used?** See “Bakeware” section.
- **Is the oven vent blocked?** See “Oven Vent” section.
- **Are the racks positioned properly?** See “Positioning Racks and Bakeware” section.
- **Is there proper air circulation around bakeware?** See “Positioning Racks and Bakeware” section.
- **Is the batter evenly distributed in the pan?** Check that batter is level in the pan.
- **Is the proper length of time being used?** Adjust cooking time.
- **Has the oven door been opened while cooking?** Oven peeking releases oven heat and can result in longer cooking times.
- **Are baked items too brown on the bottom?** Move rack to higher position in the oven.
- **Are pie crust edges browning early?** Use aluminum foil to cover the edge of the crust and/or reduce baking temperature.

Broiling results not what expected

- **Is there excessive smoking?** Food may be too close to the broil element or may have excessive fat. Move rack to a lower position.
- **Is the oven door closed?** Close oven door to the broil stop position.
- **Was the broil element preheated?** Allow broil element to preheat for 5 minutes.

Ventilation system not capturing smoke efficiently

- **Is there proper cross ventilation in the room or makeup air?** See the Installation Instructions.
- **Is the outside wall cap shut or blocked?**
- **Was the range and air filter installed properly?** See the Installation Instructions.

ASSISTANCE OR SERVICE

Before calling for assistance or service, please check "Troubleshooting." It may save you the cost of a service call. If you still need help, follow the instructions below.

When calling, please know the purchase date and the complete model and serial number of your appliance. This information will help us to better respond to your request.

If you need replacement parts

If you need to order replacement parts, we recommend that you use only factory specified parts. These factory specified parts will fit right and work right because they are made with the same precision used to build every new JENN-AIR® appliance.

To locate factory specified parts in your area, call us or your nearest JENN-AIR designated service center.

In the U.S.A.

If the problem is not due to one of the items listed in the "Troubleshooting" section...

Call the dealer from whom your appliance was purchased, or call Jenn-Air at **1-800-JENNAIR (1-800-536-6247)** to locate an authorized service company. When calling, please know the purchase date and the complete model and serial number of your appliance. Be sure to retain proof of purchase to verify warranty status.

If the dealer or service company cannot resolve your problem, write to:

Jenn-Air Brand Home Appliances
Customer eXperience Center
553 Benson Road
Benton Harbor, MI 49022-2692

Web address: www.jennair.com

Or call: **1-800-JENNAIR (1-800-536-6247)**

U.S. customers using TTY for deaf, hearing impaired or speech impaired, call: **1-800-688-2080**.

NOTE: When writing or calling about a service problem, please include the following information:

1. Your name, address and daytime telephone number.
2. Appliance model number and serial number.
3. Name and address of your dealer or servicer.
4. A clear description of the problem you are having.
5. Proof of purchase (sales receipt).

User's guides, service manuals and parts information are available from Jenn-Air Brand Home Appliances, Customer eXperience Center.

Accessories

To order accessories, visit our website at www.jennair.com/cookingaccessories.

Stainless Steel Cleaner and Polish

(stainless steel models)

Order Part Number 31462

All-Purpose Appliance Cleaner

Order Part Number 31682

Gas Grate and Drip Pan Cleaner

Order Part Number 31617

Wok

Order Part Number AO142

Drying Rack

Order Part Number DRYINGRACK

Magnetic Door Spacer

Order Part Number 8010P146-60

Premium Broil Pan and Roasting Rack

Order Part Number W10123240

www.jennair.com/broilerpan

In Canada

If the problem is not due to one of the items listed in the "Troubleshooting" section...

Call the dealer from whom your appliance was purchased, or call Jenn-Air at **1-800-807-6777** to locate an authorized service company. When calling, please know the purchase date and the complete model and serial number of your appliance. Be sure to retain proof of purchase to verify warranty status.

If the dealer or service company cannot resolve your problem, write to:

Jenn-Air Brand Home Appliances
Customer eXperience Centre
200 - 6750 Century Ave.
Mississauga, ON L5N 0B7

Web address: www.jennair.ca

Or call: **1-800-807-6777**.

NOTE: When writing or calling about a service problem, please include the following information:

1. Your name, address and daytime telephone number.
2. Appliance model number and serial number.
3. Name and address of your dealer or servicer.
4. A clear description of the problem you are having.
5. Proof of purchase (sales receipt).

User's guides, service manuals and parts information are available from Jenn-Air Brand Home Appliances, Customer eXperience Centre.

JENN-AIR® COOKING APPLIANCE WARRANTY

LIMITED WARRANTY

For one year from the date of purchase, when this major appliance is operated and maintained according to instructions attached to or furnished with the product, Jenn-Air brand of Whirlpool Corporation or Whirlpool Canada LP (hereafter "Jenn-Air") will pay for factory specified parts and repair labor to correct defects in materials or workmanship. Service must be provided by a Jenn-Air designated service company. This limited warranty is valid only in the United States or Canada and applies only when the major appliance is used in the country in which it was purchased. Outside the 50 United States and Canada, this limited warranty does not apply. Proof of original purchase date is required to obtain service under this limited warranty.

SECOND THROUGH FIFTH YEAR LIMITED WARRANTY ON CERTAIN COMPONENT PARTS

In the second through fifth years from the date of purchase, when this appliance is operated and maintained according to instructions attached to or furnished with the product, Jenn-Air will pay for factory specified parts for the following components (if applicable to the product) if defective in materials or workmanship:

- Electric element
- Touch Pad and microprocessor
- Glass ceramic cooktop: if due to thermal breakage
- Electronic controls
- Magnetron tube
- Sealed gas burners

ITEMS EXCLUDED FROM WARRANTY

This limited warranty does not cover:

1. Service calls to correct the installation of your major appliance, to instruct you on how to use your major appliance, to replace or repair house fuses, or to correct house wiring or plumbing.
2. Service calls to repair or replace appliance light bulbs, air filters or water filters. Consumable parts are excluded from warranty coverage.
3. Repairs when your major appliance is used for other than normal, single-family household use or when it is used in a manner that is contrary to published user or operator instructions and/or installation instructions.
4. Damage resulting from accident, alteration, misuse, abuse, fire, flood, acts of God, improper installation, installation not in accordance with electrical or plumbing codes, or use of consumables or cleaning products not approved by Jenn-Air.
5. Cosmetic damage, including scratches, dents, chips or other damage to the finish of your major appliance, unless such damage results from defects in materials or workmanship and is reported to Jenn-Air within 30 days from the date of purchase.
6. Any food loss due to refrigerator or freezer product failures.
7. Costs associated with the removal from your home of your major appliance for repairs. This major appliance is designed to be repaired in the home and only in-home service is covered by this warranty.
8. Repairs to parts or systems resulting from unauthorized modifications made to the appliance.
9. Expenses for travel and transportation for product service if your major appliance is located in a remote area where service by an authorized Jenn-Air servicer is not available.
10. The removal and reinstallation of your major appliance if it is installed in an inaccessible location or is not installed in accordance with published installation instructions.
11. Major appliances with original model/serial numbers that have been removed, altered or cannot be easily determined. This warranty is void if the factory applied serial number has been altered or removed from your major appliance.

The cost of repair or replacement under these excluded circumstances shall be borne by the customer.

DISCLAIMER OF IMPLIED WARRANTIES; LIMITATION OF REMEDIES

CUSTOMER'S SOLE AND EXCLUSIVE REMEDY UNDER THIS LIMITED WARRANTY SHALL BE PRODUCT REPAIR AS PROVIDED HEREIN. IMPLIED WARRANTIES, INCLUDING WARRANTIES OF MERCHANTABILITY OR FITNESS FOR A PARTICULAR PURPOSE, ARE LIMITED TO ONE YEAR OR THE SHORTEST PERIOD ALLOWED BY LAW. JENN-AIR SHALL NOT BE LIABLE FOR INCIDENTAL OR CONSEQUENTIAL DAMAGES. SOME STATES AND PROVINCES DO NOT ALLOW THE EXCLUSION OR LIMITATION OF INCIDENTAL OR CONSEQUENTIAL DAMAGES, OR LIMITATIONS ON THE DURATION OF IMPLIED WARRANTIES OF MERCHANTABILITY OR FITNESS, SO THESE EXCLUSIONS OR LIMITATIONS MAY NOT APPLY TO YOU. THIS WARRANTY GIVES YOU SPECIFIC LEGAL RIGHTS, AND YOU MAY ALSO HAVE OTHER RIGHTS WHICH VARY FROM STATE TO STATE OR PROVINCE TO PROVINCE.

If outside the 50 United States and Canada, contact your authorized Jenn-Air dealer to determine if another warranty applies.

If you need service, first see the "Troubleshooting" section of the Use & Care Guide. After checking "Troubleshooting," you may find additional help by checking the "Assistance or Service" section or by calling Jenn-Air. In the U.S.A., call **1-800-536-6247**. In Canada, call **1-800-807-6777**.

6/09

Keep this book and your sales slip together for future reference. You must provide proof of purchase or installation date for in-warranty service.

Write down the following information about your major appliance to better help you obtain assistance or service if you ever need it. You will need to know your complete model number and serial number. You can find this information on the model and serial number label located on the product.

Dealer name _____

Address _____

Phone number _____

Model number _____

Serial number _____

Purchase date _____

SÉCURITÉ DE LA CUISINIÈRE

Votre sécurité et celle des autres est très importante.

Nous donnons de nombreux messages de sécurité importants dans ce manuel et sur votre appareil ménager. Assurez-vous de toujours lire tous les messages de sécurité et de vous y conformer.



Voici le symbole d'alerte de sécurité.

Ce symbole d'alerte de sécurité vous signale les dangers potentiels de décès et de blessures graves à vous et à d'autres.

Tous les messages de sécurité suivront le symbole d'alerte de sécurité et le mot "DANGER" ou "AVERTISSEMENT". Ces mots signifient :

⚠ DANGER

Risque possible de décès ou de blessure grave si vous ne suivez pas immédiatement les instructions.

⚠ AVERTISSEMENT

Risque possible de décès ou de blessure grave si vous ne suivez pas les instructions.

Tous les messages de sécurité vous diront quel est le danger potentiel et vous disent comment réduire le risque de blessure et ce qui peut se produire en cas de non-respect des instructions.

AVERTISSEMENT : Si les renseignements dans ce manuel ne sont pas exactement observés, un incendie ou une explosion peut survenir, causant des dommages au produit, des blessures ou un décès.

- Ne pas entreposer ni utiliser de l'essence ou d'autres vapeurs ou liquides inflammables à proximité de cet appareil ou de tout autre appareil électroménager.
- QUE FAIRE DANS LE CAS D'UNE ODEUR DE GAZ :
 - Ne pas tenter d'allumer un appareil.
 - Ne pas toucher à un commutateur électrique.
 - Ne pas utiliser le téléphone se trouvant sur les lieux.
 - Appeler immédiatement le fournisseur de gaz à partir du téléphone d'un voisin. Suivre ses instructions.
 - À défaut de joindre votre fournisseur de gaz, appeler les pompiers.
- L'installation et l'entretien doivent être effectués par un installateur qualifié, une agence de service ou le fournisseur de gaz.

AVERTISSEMENT : L'odorat ne permet pas toujours la détection d'une fuite de gaz.

Les distributeurs de gaz recommandent l'emploi d'un détecteur de gaz (homologation UL ou CSA).

Pour d'autre information, contacter le fournisseur de gaz local.

En cas de détection d'une fuite de gaz, exécuter les instructions "Que faire dans le cas d'une odeur de gaz".

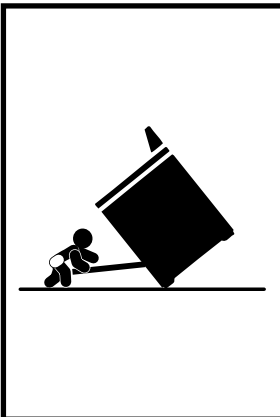
Avertissements de la proposition 65 de l'État de Californie :

AVERTISSEMENT : Ce produit contient au moins un produit chimique connu par l'État de Californie pour être à l'origine de cancers.

AVERTISSEMENT : Ce produit contient au moins un produit chimique connu par l'État de Californie pour être à l'origine de malformations et autres déficiences de naissance.

La bride antibasculement

Dans les conditions de service normales, la cuisinière ne bascule pas. Elle peut cependant basculer si une force ou un poids excessif est appliqué sur la porte ouverte alors que la bride antibasculement n'est pas convenablement fixée.



⚠ AVERTISSEMENT

Risque de basculement

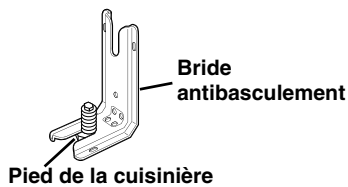
Un enfant ou une personne adulte peut faire basculer la cuisinière, ce qui peut causer un décès.

Vérifier que la bride antibasculement est bien installée et engagée, conformément aux instructions d'installation.

Réengager la bride antibasculement si la cuisinière a été déplacée.

Ne pas faire fonctionner la cuisinière si la bride antibasculement n'est pas installée et engagée.

Le non-respect de ces instructions peut causer un décès ou des brûlures graves aux enfants et aux adultes.



Pour vérifier que la bride antibasculement est bien installée et engagée :

- **Faire glisser la cuisinière vers l'avant.**
- **Vérifier que la bride antibasculement est bien fixée au plancher ou au mur.**
- **Faire de nouveau glisser la cuisinière vers l'arrière de sorte que le pied de la cuisinière se trouve sous la bride antibasculement.**
- **Voir les instructions d'installation pour plus de détails.**

IMPORTANTES INSTRUCTIONS DE SÉCURITÉ

AVERTISSEMENT : Pour réduire le risque d'incendie, de choc électrique, de blessures ou de dommages lors de l'utilisation de la cuisinière, il convient d'observer certaines précautions élémentaires dont les suivantes :

■ **AVERTISSEMENT :** POUR MINIMISER LE RISQUE DE BASCULEMENT DE LA CUISINIÈRE, ELLE DOIT ÊTRE BIEN IMMOBILISÉE PAR DES DISPOSITIFS ANTIBASCULEMENT CORRECTEMENT INSTALLÉS. POUR VÉRIFIER SI LES DISPOSITIFS SONT CORRECTEMENT INSTALLÉS, GLISSER LA CUISINIÈRE VERS L'AVANT ET VÉRIFIER SI LA BRIDE ANTIBASCULEMENT EST BIEN FIXÉE AU PLANCHER OU AU MUR, ET GLISSER LA CUISINIÈRE VERS L'ARRIÈRE POUR QUE LE PIED ARRIÈRE DE LA CUISINIÈRE SOIT SOUS LA BRIDE ANTIBASCULEMENT.

■ **AVERTISSEMENT :** NE JAMAIS utiliser cet appareil comme dispositif de chauffage de la pièce. Le non-respect de cette instruction peut entraîner une intoxication au monoxyde de carbone et une surchauffe du four.

■ **AVERTISSEMENT :** NE JAMAIS couvrir les fentes, trous ou passages d'air au fond du four ou couvrir entièrement une grille avec des matériaux tels que du papier d'aluminium. Le non-respect de cette instruction empêche la circulation de l'air dans le four et peut entraîner une intoxication au monoxyde de carbone. Les feuilles de papier d'aluminium peuvent également retenir la chaleur et créer un risque d'incendie.

■ **MISE EN GARDE :** Ne pas remiser dans des armoires au-dessus de la cuisinière ou sur le dossier d'une cuisinière, des objets que des enfants pourraient vouloir atteindre. Les enfants pourraient se brûler ou se blesser en grimant sur la cuisinière.

■ Ne pas laisser les enfants seuls – Les enfants ne doivent pas être laissés seuls ou sans surveillance dans la pièce où la cuisinière est en service. Ne jamais laisser les enfants s'asseoir ou se tenir sur une partie quelconque de la cuisinière.

■ Porter des vêtements appropriés – Des vêtements amples ou détachés ne doivent jamais être portés pendant l'utilisation de la cuisinière.

■ Entretien par l'utilisateur – Ne pas réparer ni remplacer toute pièce de la cuisinière si ce n'est pas spécifiquement recommandé dans le manuel. Toute autre opération d'entretien ou de réparation doit être confiée à un technicien qualifié.

■ Remisage dans ou sur la cuisinière – Des matériaux inflammables ne doivent pas être remisés dans un four ou près des éléments de surface.

■ Ne pas utiliser d'eau pour éteindre un feu de graisse – Éteindre le feu ou les flammes ou utiliser un extincteur à produits chimiques secs, ou un extincteur à mousse.

■ N'utiliser que des mitaines de four sèches – Des mitaines de four mouillées ou humides sur des surfaces chaudes peuvent provoquer des brûlures provenant de la vapeur. Ne pas laisser les mitaines de four toucher les éléments chauffants. Ne pas utiliser une serviette ou un tissu épais.

■ NE PAS TOUCHER LES ÉLÉMENTS DE SURFACE OU L'ESPACE PRÈS DES ÉLÉMENTS – Les éléments de surface peuvent être chauds même lorsqu'ils ont une teinte foncée. Les endroits près des éléments de surface peuvent devenir assez chauds pour causer des brûlures. Pendant et après l'utilisation, ne pas toucher les éléments chauffants et ne pas laisser les vêtements ou autres matériaux inflammables entrer en contact avec ces éléments de surface ou les endroits près des éléments, avant qu'ils aient suffisamment refroidi. Ces endroits comprennent la table de cuisson et les surfaces près de la table de la cuisson.

■ Ne jamais laisser les éléments de la table de cuisson sans surveillance alors qu'ils chauffent à la puissance maximale. Il pourrait en résulter une ébullition qui cause de la fumée et des renversements de corps gras qui peuvent s'enflammer.

■ Ustensiles de cuisson vitrifiés – Seulement certains types d'ustensiles de verre, vitrocéramique, céramique, faïence ou autres surfaces vitrifiées conviennent pour le service sur une table de cuisson, sans bris attribuables aux changements soudains de température.

■ Les poignées des ustensiles doivent être tournées vers l'intérieur et non vers le dessus des éléments adjacents – Pour réduire le risque de brûlures, d'inflammation de produits inflammables et de renversements dus à l'entrechoquement non intentionnel des ustensiles, la poignée d'un ustensile doit être positionnée de sorte qu'elle soit tournée vers l'intérieur et non au-dessus des éléments de surface adjacents.

■ Nettoyer la table de cuisson avec prudence – Si une éponge ou un chiffon mouillé est utilisé pour essuyer les renversements sur une surface de cuisson chaude, éviter les brûlures causées par la vapeur chaude. Certains nettoyants peuvent produire des émanations nocives lorsqu'ils sont utilisés sur une surface chaude.

■ Exercer une grande prudence lors de l'ouverture de la porte – Laisser l'air chaud ou la vapeur s'échapper avant d'enlever ou de replacer un plat.

■ Ne pas faire chauffer des contenants fermés – L'accumulation de pression peut causer une explosion du contenant et des blessures.

CONSERVEZ CES INSTRUCTIONS

IMPORTANTES INSTRUCTIONS DE SÉCURITÉ

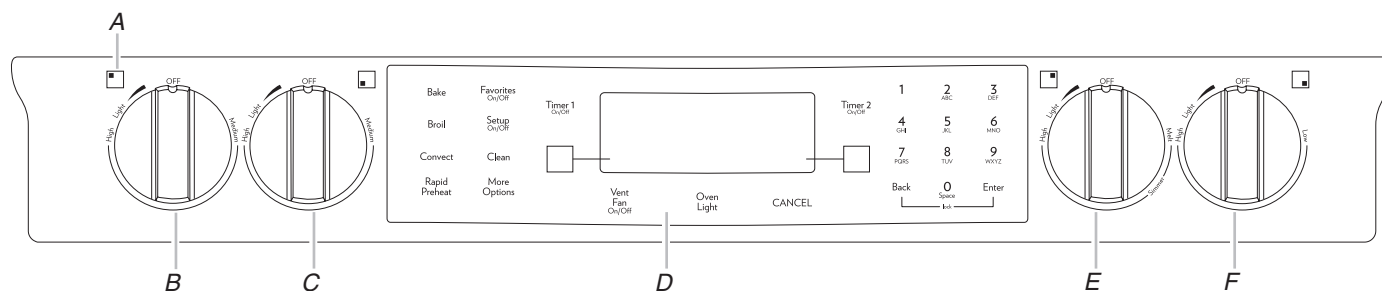
- Ne jamais obstruer les ouvertures des événements.
 - Positionnement des grilles du four – Toujours placer les grilles du four à la position désirée pendant que le four est froid. Si la grille doit être déplacée pendant que le four est chaud, ne pas laisser les mitaines de four toucher l'élément chaud du four.
 - NE PAS TOUCHER LES ÉLÉMENTS CHAUFFANTS OU LES SURFACES INTÉRIEURES DU FOUR – Les éléments chauffants peuvent être chauds même s'ils ont une teinte foncée. Les surfaces intérieures d'un four deviennent assez chaudes pour causer des brûlures. Pendant et après l'utilisation, ne pas toucher ou laisser des vêtements ou autres matériaux inflammables venir en contact avec les éléments chauds ou les surfaces intérieures chaudes du four avant qu'ils aient eu assez de temps pour refroidir. D'autres surfaces de l'appareil peuvent devenir assez chaudes pour causer des brûlures. Ces surfaces comprennent les ouvertures de l'événement du four et les surfaces près de ces ouvertures, les portes du four, et les hublots des portes du four.
 - Installation correcte – Une fois installée, la cuisinière doit être reliée à la terre conformément aux codes locaux, ou en l'absence de codes locaux, au *National Electrical Code ANSI/NFPA 70*. Au Canada, la cuisinière doit être reliée à la terre conformément au Code canadien des installations électriques. Veiller à ce que l'installation et la mise à la terre de la cuisinière soient correctement réalisées par un électricien qualifié.
 - Déconnecter la source de courant électrique avant d'intervenir sur l'appareil.
 - Des blessures peuvent résulter d'un mauvais usage des portes ou tiroirs de l'appareil – par exemple marcher, s'appuyer ou s'asseoir sur les portes ou tiroirs.
 - Entretien – Maintenir la zone de la cuisinière à l'abri des matériaux combustibles, essence ou autres vapeurs ou liquides inflammables.
 - La taille de la flamme du brûleur supérieur doit être ajustée de façon à ne pas dépasser du bord de l'ustensile de cuisson.
- Pour les cuisinières avec programme d'autonettoyage –**
- Ne pas nettoyer le joint de la porte – Le joint de la porte est essentiel pour l'étanchéité. Veiller à ne pas frotter, endommager ou déplacer le joint.
 - Ne pas utiliser des produits commerciaux de nettoyage du four – On ne doit pas utiliser un produit commercial de nettoyage de four ou un enduit de protection des surfaces internes du four quel qu'en soit le type, sur les surfaces du four ou les surfaces voisines.
 - Nettoyer uniquement les pièces indiquées dans le manuel.
 - Avant d'exécuter le programme d'autonettoyage du four – Ôter la lèchefrite et les autres ustensiles. Essuyer tout excès de renversement avant de commencer un programme de nettoyage.
- Pour les appareils avec hotte de ventilation –**
- Nettoyer les hottes de ventilation fréquemment – La graisse ne doit pas s'accumuler sur la hotte ou le filtre.
 - Lorsque vous flambez des aliments sous la hotte, mettre le ventilateur en marche.

CONSERVEZ CES INSTRUCTIONS

UTILISATION DE LA TABLE DE CUISSON

Ce manuel couvre plusieurs modèles différents. La cuisinière que vous avez achetée peut comporter l'ensemble des articles énumérés ou seulement certains d'entre eux. Les emplacements

et aspects des fonctions illustrées ci-dessous peuvent ne pas correspondre à ceux de votre modèle.



A. Repère du brûleur de surface
B. Bouton de commande arrière gauche
C. Bouton de commande avant gauche

D. Module de commande électronique du four
E. Bouton de commande arrière droit
F. Bouton de commande avant droit

Commandes de la table de cuisson

AVERTISSEMENT



Risque d'incendie

La flamme d'un brûleur ne devrait pas dépasser le bord du récipient de cuisson.

Fermer tous les réglages lorsque la cuisson est terminée.

Le non-respect de ces instructions peut causer un décès ou un incendie.

IMPORTANT : Cette cuisinière a été configurée à l'usine pour une alimentation au gaz naturel. Si vous souhaitez utiliser du gaz propane, une trousse de conversion au gaz propane est fournie avec la cuisinière. Voir la section "Conversions pour changement de gaz" des Instructions d'installation pour plus de détails sur la réalisation de cette conversion.

Les allumeurs électriques allument automatiquement les brûleurs de surface lorsque les boutons de commandes sont en marche.

Avant de régler un bouton de commande, placer l'ustensile de cuisson rempli sur la grille. Ne pas faire fonctionner un brûleur avec un ustensile de cuisson vide ou sans ustensile de cuisson sur la grille.

REMARQUE : Vérifier visuellement que le brûleur est allumé. Si le brûleur ne s'allume pas, guetter un déclic. Si aucun déclic ne se fait entendre, éteindre le brûleur. Vérifier si le disjoncteur s'est déclenché ou si un fusible est grillé.

Vérifier que le bouton de commande est complètement enfoncé sur la tige de la soupape. Si l'allumeur ne fonctionne toujours pas, appeler un technicien de réparation qualifié.

Réglage :

- Enfoncer et tourner le bouton dans le sens antihoraire pour allumer le brûleur.
Les quatre brûleurs de surface émettront un déclic. Seul un brûleur qui a été allumé peut produire une flamme.
- Tourner le bouton n'importe où entre HIGH (élevé) et LOW (bas). Utiliser le tableau suivant comme guide lors du réglage des niveaux de chaleur.

RÉGLAGE	UTILISATION RECOMMANDÉE
HI (élevé)	<ul style="list-style-type: none">■ Démarrer la cuisson des aliments.■ Porter un liquide à ébullition.
Medium (moyen) entre High (élevé) et Low (bas)	<ul style="list-style-type: none">■ Maintenir une ébullition rapide.■ Brunir ou saisir rapidement les aliments.■ Faire frire ou sauter les aliments.■ Faire cuire les soupes et les sauces.■ Faire mijoter ou étuver les aliments.
LO (bas)	<ul style="list-style-type: none">■ Garder les aliments au chaud.■ Faire mijoter à feu doux.

N'OUBLIEZ PAS : Quand l'appareil est utilisé ou (sur certains modèles) durant le programme d'autonettoyage, toute la surface de la table de cuisson peut devenir chaude.

Brûleurs de table de cuisson

Brûleur haute performance

La table de cuisson comporte un brûleur à vitesse élevée situé au niveau avant droit de celle-ci. Ce brûleur fournit une cuisson plus rapide qui peut être utilisée pour porter rapidement l'eau à ébullition et pour la cuisson d'aliments en grande quantité.

Brûleurs de mijotage

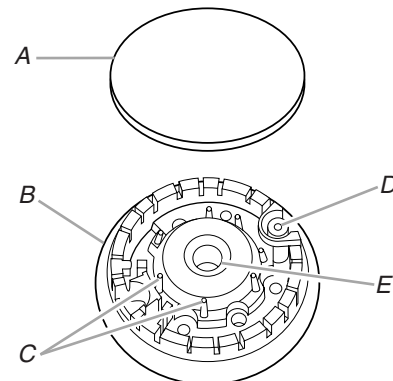
Les brûleurs de mijotage sont situés aux niveaux arrière gauche ou arrière droit. Le brûleur de mijotage présente une flamme de Btu/h inférieur pour les sauces délicates ou pour faire fondre le chocolat.

Panne de courant

Brûleurs de surface

Lors d'une panne de courant prolongée, on peut allumer manuellement les brûleurs de surface. Tenir une allumette allumée près d'un brûleur et tourner le bouton dans le sens antihoraire à "Ignite". Une fois le brûleur allumé, tourner le bouton au réglage désiré.

Brûleurs de surface scellés

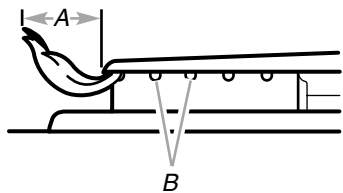


- A. *Chapeau de brûleur*
- B. *Base du brûleur*
- C. *Tiges d'alignement*
- D. *Allumeur*
- E. *Ouverture du tube d'arrivée de gaz*

IMPORTANT : Ne pas entraver le débit de gaz de combustion et de l'air de ventilation autour des bords des grilles de brûleur.

Chapeau de brûleur : Toujours garder le chapeau du brûleur en place lorsqu'un brûleur de surface est utilisé. Un chapeau de brûleur propre empêche un mauvais allumage et une flamme inégale. Toujours nettoyer le chapeau de brûleur après un renversement, enlever et nettoyer régulièrement les chapeaux conformément à la section "Nettoyage général".

Ouverture du tube d'arrivée de gaz : Pour que le brûleur s'allume convenablement, il faut que le gaz puisse passer librement à travers l'ouverture du tube d'arrivée de gaz. Il est essentiel de garder cette zone exempte de saletés et de veiller à ce que les renversements, aliments, agents de nettoyage ou autre matériau ne puissent pénétrer dans l'ouverture du tube d'arrivée de gaz. Protéger le tube d'arrivée de gaz contre les renversements en utilisant toujours un chapeau de brûleur.



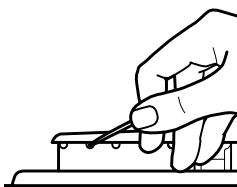
A. 1 à 1½" (25 à 38 mm)
B. Orifices de brûleur

Orifices de brûleur : Examiner occasionnellement les flammes des brûleurs pour en vérifier la taille et la forme tel qu'indiqué ci-dessus. Une bonne flamme est bleue, pas jaune. Il est essentiel de garder cette zone exempte de saletés et de veiller à ce que les renversements, aliments, agents de nettoyage ou autre matériau ne puissent pénétrer dans les orifices de brûleur.

Nettoyage :

IMPORTANT : Avant de faire le nettoyage, s'assurer que toutes les commandes sont éteintes et que le four et la table de cuisson sont froids. Ne pas utiliser de nettoyeurs à four, eau de Javel ou décapants à rouille.

1. Enlever le chapeau de brûleur de la base du brûleur et nettoyer conformément à la section "Nettoyage général".
2. Nettoyer l'ouverture du tube d'arrivée de gaz avec un linge humide.
3. Nettoyer les orifices de brûleur obstrués avec une épingle droite tel qu'indiqué. Ne pas agrandir ni déformer les orifices. Ne pas utiliser un cure-dent en bois. Si le brûleur a besoin d'être ajusté, faire venir un technicien de réparation qualifié.



4. Réinstaller le chapeau de brûleur et s'assurer que les tiges d'alignement sont bien alignées avec le chapeau de brûleur.



A. Incorrect
B. Correct

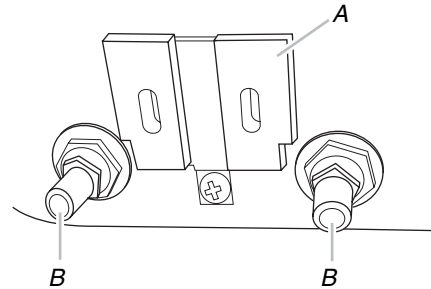
5. Allumer le brûleur. Si le brûleur ne s'allume pas, vérifier l'alignement du chapeau. Si le brûleur ne s'allume toujours pas, ne pas faire vous-même la réparation du brûleur scellé. Contacter un technicien de réparation qualifié.

Module des brûleurs scellés

Le module des brûleurs scellés peut être seulement installé du côté gauche de la table de cuisson.

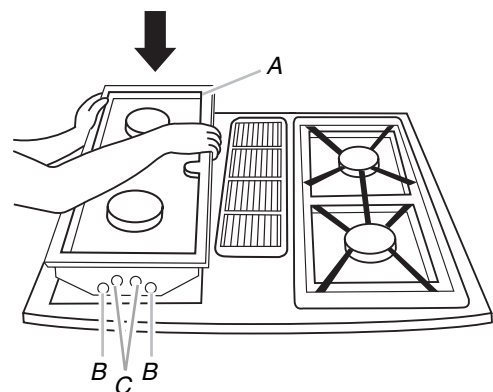
Pour installer le module des brûleurs scellés :

1. S'assurer que les boutons de commande sont à la position "Off" (arrêt).
2. Si le brûleur du gril et les grilles du gril sont installés, les retirer avant d'installer un module de brûleurs. Nettoyer le bac pour éliminer toute accumulation de graisse; voir la section "Nettoyage général".
3. Les gicleurs et le boîtier de connexion se trouvent dans le bac, à l'avant de la table de cuisson.



A. Boîtier de connexion
B. Gicleurs

4. Positionner le module des brûleurs : placer les ouvertures des tubes de mixage et tiges de l'allumeur vers les gicleurs et le boîtier de connexion. Faire glisser le module des brûleurs jusqu'à l'engagement des tubes et des allumeurs, puis abaisser le module des brûleurs pour le faire reposer sur la surface de la table de cuisson.



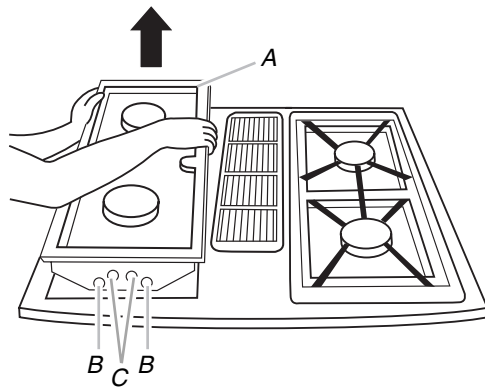
A. Module des brûleurs scellés
B. Tubes de mixage
C. Tiges de l'allumeur

Pour retirer le module de brûleurs scellés :

1. S'assurer que les boutons de commande sont à la position "Off" (arrêt) et que la table de cuisson est froide.
2. Soulever le bord du module des brûleurs jusqu'à ce que le fond de celui-ci se dégage du bac.

REMARQUE : Un soulèvement excessif du module des brûleurs alors qu'il est encore engagé peut endommager les tubes de mixage et tiges d'allumeur.

3. Pour retirer le module des brûleurs, tenir celui-ci par les côtés et écarter le module des brûleurs des gicleurs et du boîtier de connexion. Soulever le module des brûleurs une fois qu'il a été complètement dégagé.



A. Module des brûleurs scellés
B. Tubes de mixage
C. Tiges de l'allumeur

IMPORTANT : Le module facultatif des brûleurs scellés, modèle JGA8150AD, peut remplacer le brûleur du grill. Pour plus de renseignements, voir la section "Accessoires".

Installation du grill

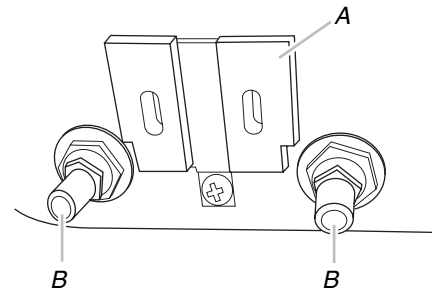
Le grill ne peut être installé que du côté gauche de la table de cuisson.

Lors de l'utilisation du grill, suivre les directives ci-dessous.

- Enlever l'excès de gras pour réduire les éclaboussures. Entailler le gras résiduel sur les côtés pour éviter que la viande se recroqueville.
- Laisser de la place entre les aliments sur le grill. Placer les aliments trop près les uns des autres entraînera une cuisson irrégulière.
- Utiliser une spatule métallique ou des pinces pour retourner les aliments.
- Les steaks, les côtelettes et les hamburgers ne doivent être retournés qu'une fois afin d'éviter la perte des jus de cuisson.
- Pour de meilleurs résultats, utiliser une viande de qualité supérieure. Une viande plus épaisse grille mieux que des tranches plus fines.
- Lors de l'arrosage de viandes ou d'ajout de sauce sur les aliments, ne pas oublier que des assaisonnements employés en trop grande quantité finissent par s'accumuler dans le grill et n'améliorent pas le goût des aliments.
- Utiliser uniquement des spatules ou ustensiles non métalliques afin d'éviter d'endommager le revêtement anti-adhésif de la grille du grill.
- Ne pas laisser le grill sans surveillance lors de la cuisson.
- Afin d'éviter d'endommager le grill, ne pas utiliser de papier aluminium, de charbon ou de copeaux de bois.
- Afin d'éviter d'endommager les ustensiles de cuisson, ne pas les placer sur le grill lorsque celui-ci n'est pas utilisé. Les aliments doivent être cuits directement sur la grille du grill.

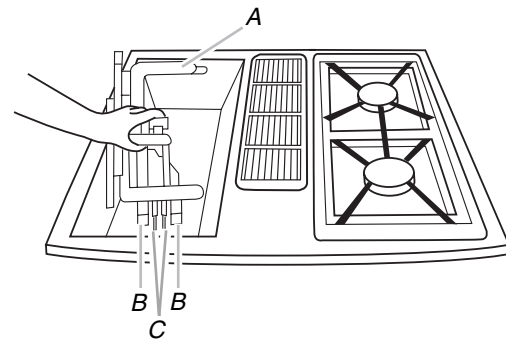
Pour installer le grill :

1. S'assurer que les boutons de commande sont à la position "Off" (arrêt).
2. Les gicleurs et le boîtier de connexion se trouvent dans le bac, à l'avant de la table de cuisson.



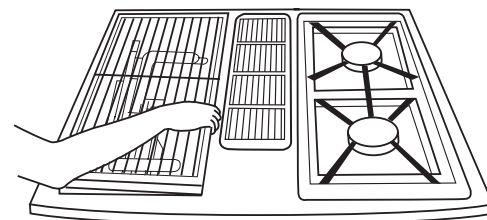
A. Boîtier de connexion
B. Gicleurs

3. Positionner le brûleur du grill : placer les tubes de mixage et les tiges de l'allumeur vers les gicleurs et le boîtier de connexion. Faire glisser le brûleur jusqu'à l'engagement des tubes et de l'allumeur, puis abaisser le brûleur pour le faire reposer sur le bassin de brûleur.



A. Brûleur du grill
B. Tubes de mixage
C. Tiges de l'allumeur

4. Placer les grilles du grill sur la table de cuisson.



IMPORTANT : Avant d'utiliser le grill pour la première fois, faire chauffer le brûleur du grill afin d'éliminer le revêtement d'expédition. Faire chauffer le brûleur du grill sur High (élevée) pendant 10 minutes et utiliser le système de ventilation pour éliminer la fumée.

Pour retirer le gril :

1. S'assurer que les boutons de commande sont à la position "Off" (arrêt) et que les composants du gril sont froids.
2. Enlever les grilles du gril.
3. Soulever légèrement le brûleur. Faire glisser le brûleur pour l'écartier des gicleurs et du boîtier de connexion.

Utilisation :

Avant chaque utilisation, laver les grilles du gril à l'eau chaude savonneuse, puis rincer et sécher. Conditionner la surface en y appliquant une légère couche d'huile de cuisson. Essuyer tout excédent d'huile avec un essuie-tout. Répéter le processus de conditionnement après que les grilles du gril ont été lavées au lave-vaisselle ou chaque fois que l'on a utilisé une marinade à base de sucre.

1. Préchauffer le gril sur High (élevée) pendant 5 minutes. Le fait de préchauffer le gril réhausse le goût et l'apparence de la viande, la saisissant rapidement pour qu'elle conserve tout son jus.
2. Tourner le bouton au réglage de cuisson désiré. Placer les aliments sur le gril.

Système de ventilation à aspiration par le bas

Le système de ventilation incorporé à aspiration par le bas élimine les vapeurs, les odeurs et la fumée de cuisson des aliments préparés sur la table de cuisson.

IMPORTANT : Pour un rendement optimal, ne pas faire fonctionner le système de ventilation à aspiration par le bas sans que le filtre ne soit correctement installé.

Afin d'éviter une accumulation de graisse, le filtre doit être nettoyé souvent.

Le système de ventilation à aspiration par le bas fonctionne automatiquement lorsque le gril est en marche.

Pour plus d'informations sur l'installation et le nettoyage corrects du filtre, voir "Système de ventilation à aspiration par le bas" dans la section "Nettoyage général".

Utilisation :

Le ventilateur peut être réglé à Low (basse), High (élevée) ou Off (arrêt).

Appuyer une fois sur VENT FAN (ventilateur) pour la vitesse basse, une seconde fois pour la vitesse élevée et une troisième fois pour éteindre le ventilateur.

Préparation de conserves à la maison

Lors de la préparation de conserves pendant de longues périodes, alterner l'utilisation des brûleurs de surface entre les quantités préparées. Cette alternance permet aux dernières surfaces utilisées de refroidir.

- Centrer l'autoclave sur la grille au-dessus du brûleur.
- Ne pas placer l'autoclave sur deux brûleurs de surface à la fois.
- Pour plus de renseignements, communiquez avec votre service local d'agriculture. Les compagnies qui fabriquent des produits pour la préparation de conserves peuvent aussi offrir de l'aide.

Ustensiles de cuisson

IMPORTANT : Ne pas laisser un ustensile de cuisson vide sur la surface d'une table de cuisson, d'un élément ou d'un brûleur de surface chauds.

Les ustensiles de cuisson idéals doivent avoir un fond plat, des parois droites, un couvercle qui ferme bien et le matériau doit être d'épaisseur moyenne à forte.

Les surfaces rêches peuvent érafler la table de cuisson ou les grilles. L'aluminium et le cuivre peuvent être employés comme fond ou base dans un ustensile de cuisson. Cependant, utilisés comme base, ils peuvent laisser des marques permanentes sur la table de cuisson ou les grilles.

Le matériau d'un ustensile de cuisson affecte la rapidité et l'uniformité de la transmission de la chaleur, ce qui affecte les résultats de cuisson. Un fini antiadhésif a les mêmes caractéristiques que son matériau de base. Par exemple, un ustensile de cuisson en aluminium avec un fini antiadhésif aura les propriétés de l'aluminium.

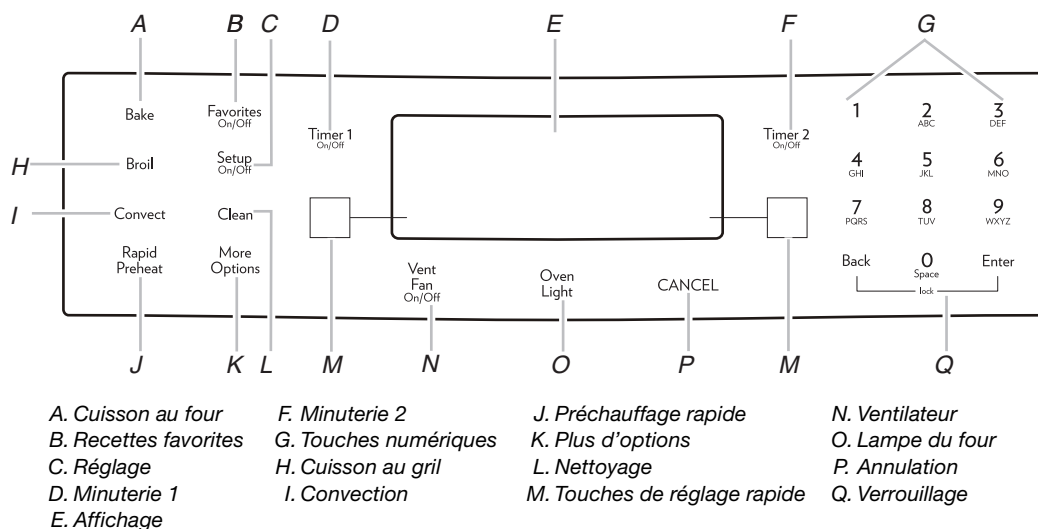
Les ustensiles de cuisson avec surface antiadhésive ne doivent pas être utilisés sous l'élément de cuisson au gril.

Utiliser le tableau suivant comme guide pour les caractéristiques du matériau de l'ustensile de cuisson.

USTENSILE	CARACTÉRISTIQUES
Aluminium	<ul style="list-style-type: none">■ Chauffe rapidement et uniformément.■ Convient à tous les genres de cuisson.■ L'épaisseur moyenne ou forte convient le mieux pour la plupart des tâches de cuisson.
Fonte	<ul style="list-style-type: none">■ Chauffe lentement et uniformément.■ Convient pour le brunissage et la friture.■ Maintient la chaleur pour une cuisson lente.
Céramique ou vitrocéramique	<ul style="list-style-type: none">■ Suivre les instructions du fabricant.■ Chauffe lentement mais inégalement.■ Les meilleurs résultats sont obtenus sur les réglages de chaleur basse à moyenne.
Cuivre	<ul style="list-style-type: none">■ Chauffe très rapidement et de façon uniforme.
Terre cuite	<ul style="list-style-type: none">■ Suivre les instructions du fabricant.■ Utiliser des réglages de température basse.
Acier émaillé (porcelaine) ou fonte émaillée	<ul style="list-style-type: none">■ Voir acier inoxydable ou fonte.
Acier inoxydable	<ul style="list-style-type: none">■ Chauffe rapidement, mais inégalement.■ Un fond ou une base d'aluminium ou de cuivre sur l'acier inoxydable procure un chauffage uniforme.

COMMANDES ÉLECTRONIQUES DU FOUR

Modèles JDS9860 et JDS9865



Touches de commande électroniques

Lorsqu'on appuie sur une touche de commande de fonction sur la commande électronique du four, appuyer sur la fonction désirée du bout du doigt. Appuyer sur la touche pendant quelques secondes, ou jusqu'à ce que la fonction désirée apparaisse sur l'afficheur.

Afficheur du four

Lors de la mise sous tension initiale de la cuisinière ou après une panne de courant, "12:00" et "PANNE COURANT" s'affichent. Appuyer sur CANCEL (annulation) pour effacer "PANNE COURANT".

Lorsqu'on utilise le four, l'afficheur indique l'heure, la température et le réglage du four.

Lorsque le four n'est pas en marche, l'afficheur indique l'heure.

Lors de l'utilisation de la minuterie, pour des réglages de 1 à 59 minutes, l'afficheur compte à rebours en minutes et en secondes. Pour les réglages de 1 heure ou plus, l'afficheur compte à rebours en heures et en minutes.

Touches de réglage rapide

Les touches de réglage rapide sont situées de chaque côté de la fenêtre de l'afficheur et sont utilisées pour sélectionner la fonction ou l'option désirée sur la fenêtre de l'afficheur. Pour sélectionner l'option ou la fonction, appuyer sur la touche de réglage rapide située à côté du mot.

Si on souhaite sortir d'une fonction ou d'une option affichée, appuyer sur la touche BACK (retour). Lorsque la programmation est terminée, appuyer sur la touche ENTER (entrée) ou attendre 4 secondes et la fonction se mettra en marche automatiquement.

Les flèches vers le haut indiquent des écrans supplémentaires avec des options supplémentaires. Appuyer sur les touches de RÉGLAGE RAPIDE à côté des flèches pour faire défiler les options sur l'afficheur.

IMPORTANT : Quatre secondes après l'entrée d'une fonction, option, lettre ou d'un nombre, la fonction est automatiquement entrée. Si plus de 30 secondes s'écoulent entre les étapes de la programmation, la fonction est annulée et l'afficheur retourne à l'affichage précédent.

Annulation

Le bouton CANCEL (annulation) arrête toutes les fonctions à l'exception de l'horloge, de la minuterie et du verrouillage des commandes. Lorsqu'on appuie sur le bouton CANCEL, l'afficheur indique l'heure ou la durée restante si la MINUTERIE est utilisée.

Horloge

Réglage de l'horloge :

1. Appuyer sur SETUP (réglage).
2. Sélectionner HORLOGE à l'aide de la touche de réglage rapide de gauche.
3. Sélectionner HEURE à l'aide de la touche de réglage rapide de gauche.
4. Entrer l'heure à l'aide des touches numériques.
5. Appuyer sur ENTER sur le clavier numérique.
6. Sélectionner AM ou PM dans un mode de 12 heures. (Pour une horloge de 24 heures, voir ci-dessous).
7. Pour sortir du mode de réglage, appuyer sur SETUP.

Entrée du jour de la semaine :

1. Appuyer sur SETUP (réglage).
2. Sélectionner HORLOGE à l'aide de la touche de réglage rapide de gauche.
3. Appuyer sur la touche de réglage rapide de droite pour faire défiler les options jusqu'à l'affichage de JOUR.
4. Sélectionner JOUR à l'aide de la touche de réglage rapide de gauche.
5. Utiliser la touche de réglage rapide de droite pour faire défiler les jours.
6. Sélectionner le jour désiré à l'aide de la touche de réglage rapide de gauche.
7. Pour sortir du mode de réglage, appuyer sur SETUP.

Pour régler l'horloge sur un format de 12 ou 24 heures :

L'horloge peut être réglée pour afficher l'heure selon un format de 12 heures ou de 24 heures.

1. Appuyer sur SETUP (réglage).
2. Sélectionner HORLOGE à l'aide de la touche de réglage rapide de gauche.
3. Utiliser la touche de réglage rapide de droite pour faire défiler les options jusqu'à 12/24 H.
4. Appuyer sur la touche de réglage rapide de gauche pour sélectionner 12/24 H.
5. Sélectionner 12 HR ou 24 HR à l'aide de la touche de réglage rapide de droite ou de gauche.
6. Pour sortir du mode de réglage, appuyer sur SETUP.

Activation et annulation de l'affichage Horloge/Jour de la semaine :

1. Appuyer sur SETUP (réglage).
2. Sélectionner HORLOGE à l'aide de la touche de réglage rapide de gauche.
3. Appuyer sur la touche de réglage rapide de droite pour faire défiler les options jusqu'à l'affichage de DESACTIVER.
4. Sélectionner DESACTIVER à l'aide de la touche de réglage rapide de gauche.
5. Sélectionner HEURE à l'aide de la touche de réglage rapide de gauche.
6. Sélectionner ON (marche) ou OFF (arrêt) à l'aide de la touche de réglage rapide de gauche ou de droite pour activer ou désactiver l'horloge.

Jour de la semaine :

7. Utiliser la touche de réglage rapide de droite pour faire défiler les options jusqu'à JOUR.
8. Sélectionner JOUR à l'aide de la touche de réglage rapide de gauche.
9. Sélectionner ON (marche) ou OFF (arrêt) à l'aide de la touche de réglage rapide de gauche ou de droite pour activer ou désactiver le jour de la semaine.
10. Pour sortir du mode de réglage, appuyer sur SETUP.

Minuteries

Réglage des minuteries (minuterie 1 ou minuterie 2) :

1. Appuyer sur TIMER 1 (minuterie 1) ou TIMER 2 (minuterie 2).
2. Appuyer sur l'une des heures affichées à l'aide des touches de réglage rapide, ou appuyer sur les touches numériques pour entrer l'heure désirée.

IMPORTANT : Chaque pression sur les choix d'heures affichés ajoute du temps supplémentaire. Par exemple, en appuyant trois fois sur "10 MIN", on ajoute 30 minutes sur la minuterie (0:30).

3. Appuyer sur ENTER sur le clavier numérique.

Modification de la durée entrée une fois que le compte à rebours a commencé :

1. Appuyer une fois sur TIMER 1 ou TIMER 2.
2. Appuyer à plusieurs reprises sur les heures affichées sur les touches de réglage rapide jusqu'à ce que la durée désirée soit entrée.
OU

Appuyer sur les touches numériques pour entrer la nouvelle durée désirée.

3. Appuyer sur la touche Enter.

Annulation de la minuterie :

1. Appuyer deux fois sur TIMER 1 ou TIMER 2.

Si les deux minuteries sont actives :

Si la minuterie désirée est déjà au premier plan, appuyer une fois pour le mode de modification et deux fois pour annuler la minuterie. Si la minuterie désirée n'est pas au premier plan, suivre les étapes suivantes :

1. Appuyer une fois sur la touche TIMER (minuterie) désirée. La minuterie sélectionnée apparaît au premier plan.
2. Appuyer sur TIMER une deuxième fois pour accéder au mode de modification afin de pouvoir faire des changements.
3. Appuyer une troisième fois sur TIMER pour annuler la minuterie.

Modification des signaux sonores de la minuterie :

Les signaux sonores pour TIMER 1 et TIMER 2 peuvent être modifiés. Les options disponibles sont 2 signaux sonores toutes les 30 secondes, 2 signaux sonores toutes les 60 secondes ou 1 signal sonore uniquement. Le réglage par défaut est 1 signal sonore.

1. Appuyer sur SETUP (réglage).
2. Utiliser la touche de réglage rapide de droite pour faire défiler les options jusqu'à SIGNAUX SONOR.
3. Sélectionner SIGNAUX SONOR à l'aide de la touche de réglage rapide de gauche.
4. Utiliser la touche de réglage rapide de droite pour faire défiler les options jusqu'à SIGNAUX MINUT.
5. Sélectionner SIGNAUX MINUT à l'aide de la touche de réglage rapide de gauche.
6. Utiliser la touche de réglage rapide de droite pour faire défiler les options jusqu'au format désiré pour le signal sonore de la minuterie (2-30 SEC, 2-60 SEC ou 1 BIP [1 signal sonore]).
7. Sélectionner le signal sonore désiré pour la minuterie à l'aide de la touche de réglage rapide de gauche.
8. Appuyer sur SETUP (réglage) pour sortir du mode de réglage.

Verrouillage du module de commande du four et de la porte du four

La caractéristique de verrouillage désactive les touches de commande (boutons) et verrouille la porte du four pour éviter une utilisation involontaire du four.

La caractéristique de verrouillage est pré-réglée désactivée, mais peut être activée.

Si le four est en cours d'utilisation, il est impossible de verrouiller les commandes et la porte du four.

Verrouillage du module de commande du four et de la porte du four :

Appuyer sur BACK et ENTER pendant 3 secondes ou jusqu'à ce que "COMM VERROUILL" s'affiche.



Déverrouillage du module de commande du four et de la porte du four :

Appuyer sur BACK et ENTER pendant 3 secondes.

"DEVERROUILLAGE" s'affiche lorsque le module de commande et la porte se déverrouillent.

Lampe du four

La lampe du four s'allume automatiquement à l'ouverture de la porte. Lorsque la porte du four est fermée, appuyer sur la touche OVEN LIGHT (lampe du four) pour allumer ou éteindre la lampe. Un signal sonore retentit à chaque pression sur la touche de la lampe du four. Si la lampe du four est allumée lorsque la porte est ouverte, la lampe s'éteindra une fois la porte fermée.

Réglage

1. Appuyer sur SETUP (réglage) pour commencer.
2. Utiliser la touche de réglage rapide de droite pour faire défiler les options de réglage.
3. Sélectionner l'option désirée en appuyant sur les touches de réglage rapide.

REMARQUE : Pour sortir d'un écran sans faire de changement, appuyer sur la touche Setup. L'affichage de l'heure est rétabli.

Horloge

Voir la section "Horloge" pour plus de détails. Utiliser l'option Horloge pour :

- Régler l'heure.
- Régler le jour de la semaine.
- Sélectionner AM ou PM (mode de 12 heures seulement). AM ou PM n'apparaît pas avec l'heure sur l'afficheur.
- Choisir un affichage de 12 h ou 24 h.
- Désactiver l'affichage de l'horloge.

Langue

La langue des écrans dans la fenêtre d'affichage peut être réglée en français, en anglais ou en espagnol.

Pour modifier la langue d'affichage à partir de l'anglais :

1. Appuyer sur SETUP (réglage).
2. Utiliser la touche de réglage rapide de droite pour faire défiler les options jusqu'à LANGUES.
3. Sélectionner LANGUES à l'aide de la touche de réglage rapide de gauche.
4. Faire défiler les options jusqu'à la langue souhaitée à l'aide de la touche de réglage rapide de droite.
5. Sélectionner la langue souhaitée à l'aide de la touche de réglage rapide de gauche.
6. Appuyer sur SETUP (réglage) pour sortir du menu de réglage.

Conversion automatique pour la convection (sur certains modèles)

Le four est réglé à l'usine pour la conversion automatique pour la convection. La conversion automatique pour la convection réduit automatiquement la température réglée de 25°F pour la cuisson au four par convection et la cuisson de pâtisseries par convection. Pour le rôtissage par convection, la commande signale que la durée de rôtissage programmée est aux trois quarts terminée pour pouvoir vérifier la cuisson des aliments. Les températures de rôtissage par convection ne sont pas réduites.

REMARQUES :

- En cas d'utilisation de la cuisson au four par convection et de la cuisson de pâtisseries par convection alors que l'option de conversion automatique pour la convection est désactivée, réduire la température réglée de 25°F.
- En cas de rôtissage par convection alors que l'option de conversion automatique pour la convection est désactivée, il est inutile de programmer une durée de cuisson. Vérifier la cuisson lorsque 75 % de la durée habituelle s'est écoulée.

Pour désactiver la conversion automatique pour la convection :

1. Appuyer sur SETUP (réglage).
2. Utiliser la touche de réglage rapide de droite pour faire défiler les options jusqu'à CONVECT AUTO.
3. Sélectionner CONVECT AUTO à l'aide de la touche de réglage rapide de gauche.

4. Sélectionner OFF à l'aide de la touche de réglage rapide.
5. Appuyer sur SETUP (réglage) pour sortir du menu de réglage.

Pour réactiver la conversion automatique pour la convection :

1. Appuyer sur SETUP (réglage).
2. Utiliser la touche de réglage rapide de droite pour faire défiler les options jusqu'à CONVECT AUTO.
3. Sélectionner CONVECT AUTO à l'aide de la touche de réglage rapide de gauche.
4. Sélectionner ON à l'aide de la touche de réglage rapide.
5. Appuyer sur SETUP (réglage) pour sortir du menu de réglage.

C/F (Celsius/Fahrenheit)

On peut faire passer l'échelle de température affichée de Fahrenheit à Celsius.

Pour modifier l'échelle :

1. Appuyer sur SETUP (réglage).
2. Utiliser la touche de réglage rapide de droite pour faire défiler les options jusqu'à C/F.
3. Sélectionner C/F à l'aide de la touche de réglage rapide de gauche.
4. Sélectionner l'échelle de température désirée à l'aide des touches de réglage rapide.
5. Appuyer sur SETUP (réglage) pour sortir du menu de réglage.

Mode Sabbat

Le four est réglé pour s'arrêter après 12 heures si on oublie de l'éteindre. Le mode Sabbat ignore la commande d'arrêt automatique au bout de 12 heures et peut être réglé pour une mise en marche automatique ou être réglé manuellement si désiré.

Seules les commandes Bake (cuisson au four), Cook/Hold Bake (cuisson au four/maintien au chaud) fonctionnent lorsque le four est en mode Sabbat. Toutes les autres fonctions sont désactivées. Si une fonction autre que Bake ou Cook/Hold Bake fonctionne au moment du déclenchement du mode Sabbat, la fonction est annulée.

- Le four doit être au repos pour la programmation du mode Sabbat.
- Le mode Sabbat ne peut être activé si les touches sont verrouillées ou si la porte est verrouillée.
- Si le four est en cours de cuisson au moment du déclenchement du mode Sabbat automatique, aucun signal sonore n'est émis.
- Tous les messages et signaux sonores sont désactivés pendant tout le temps où le mode Sabbat est activé.
- Si on veut pouvoir allumer la lampe du four en mode Sabbat, il faut l'allumer avant de régler le mode Sabbat.
- Le programme d'autonettoyage et le verrouillage automatique de la porte ne fonctionnent pas pendant le mode Sabbat.
- La température de cuisson au four peut être modifiée pendant le mode Sabbat. Il suffit d'appuyer sur la touche Bake puis d'entrer la température désirée à l'aide des touches de réglage rapide.
- En appuyant sur la touche Cancel, on annule un programme de cuisson au four mais le module de commande reste en mode Sabbat.

- Le jour de la semaine et AM/PM doivent être réglés pour que le mode Sabbat automatique puisse fonctionner correctement.

Activation du mode Sabbat :

AVERTISSEMENT

Risque d'empoisonnement alimentaire

Ne pas laisser des aliments dans un four plus d'une heure avant ou après la cuisson.

Le non-respect de cette instruction peut causer un empoisonnement alimentaire ou une maladie.

1. Appuyer sur SETUP (réglage).
2. Appuyer sur la touche de réglage rapide de droite pour faire défiler les options jusqu'à SABBAT.
3. Sélectionner SABBAT à l'aide de la touche de réglage rapide de gauche.
4. Sélectionner AUTO ou MANUEL.

AUTO indique automatiquement d'entrer une température de cuisson au four le vendredi à 14 h et de rester en mode Sabbat pendant 33 heures. "SABBAT" et "MODE SABBA ACT" s'affichent pendant 90 minutes. Si on veut sélectionner Bake ou Cook/Hold Bake pendant le mode Sabbat, il faut les programmer durant cette période de 90 minutes, avant que le mode Sabbat AUTO soit activé.

MANUEL règle le four en mode Sabbat pour 72 heures. "SABBAT" et "MODE SABBA ACT" s'affichent pendant 5 minutes. Si on veut sélectionner Bake ou Cook/Hold Bake pendant le mode Sabbat, il faut les programmer durant cette période de 5 minutes, avant que le mode Sabbat MANUEL soit activé.

5. Sélectionner ON (marche) ou OFF (arrêt).

Annulation du mode Sabbat :

1. Appuyer sur CANCEL (annulation).
2. Appuyer sur SETUP pendant 5 secondes.

Ajustement de la température

Les températures du four sont testées à l'usine. Il est normal de remarquer des différences dans les durées de cuisson ou le brunissage entre un four neuf et un ancien four. Au fur et à mesure de l'utilisation du four, la température peut changer.

Il est possible d'ajuster la température du four si on pense que le four ne cuit pas ou ne brunit pas correctement. Pour décider de l'ampleur de l'ajustement, régler la température du four 25°F plus haut ou plus bas que la température des recettes, puis cuire au four. Les résultats de la première cuisson devraient vous donner une idée de l'ampleur de l'ajustement nécessaire.

Ajustement de la température du four :

1. Appuyer sur SETUP (réglage).
2. Utiliser la touche de réglage rapide de droite pour faire défiler les options jusqu'à REGLER TEMP.
3. Sélectionner REGLER TEMP à l'aide de la touche de réglage rapide de gauche.
4. Entrer la modification de température désirée à l'aide des touches numériques.
5. Utiliser les touches de réglage rapide pour sélectionner "+/-" pour indiquer une augmentation ou une réduction de la température. Le changement de température est affiché en haut de la fenêtre.

6. Appuyer sur ENTER ou attendre 3 secondes pour accepter le changement.
7. Appuyer sur SETUP (réglage) pour sortir du menu.

Il n'est pas nécessaire d'ajuster de nouveau la température du four en cas de panne ou d'interruption de l'alimentation.

Les températures de cuisson au gril et de nettoyage ne peuvent pas être ajustées.

208/240 V

Pour de meilleurs résultats de cuisson au four, le four peut être réglé de 240 V à 208 V si le domicile utilise un circuit de 208 V.

Pour régler le four pour 208 V :

1. Appuyer sur SETUP (réglage).
2. Utiliser la touche de réglage rapide de droite pour faire défiler les options jusqu'à 208/240V.
3. Sélectionner 208V/240V à l'aide de la touche de réglage rapide de gauche.
4. Sélectionner 208V ou 240V à l'aide des touches de réglage rapide.
5. Appuyer sur SETUP (réglage) pour sortir du menu.

Signaux sonores

Le nombre de signaux sonores entendus à la fin de la cuisson et à la fin de la minuterie et leur volume peuvent être ajustés.

Pour modifier les signaux sonores à la fin de la cuisson :

1. Appuyer sur SETUP (réglage).
2. Utiliser la touche de réglage rapide de droite pour faire défiler les options jusqu'à SIGNAUX SONOR.
3. Sélectionner SIGNAUX SONOR à l'aide de la touche de réglage rapide de gauche.
4. Utiliser la touche de réglage rapide de droite pour faire défiler les options jusqu'à SIGNAUX CUISS.
5. Sélectionner SIGNAUX CUISS à l'aide de la touche de réglage rapide de gauche.
6. Utiliser la touche de réglage rapide de droite pour faire défiler les options et sélectionner :
1-30 SEC pour entendre un signal sonore toutes les 30 secondes.
OU
1-60 SEC pour entendre un signal sonore toutes les 60 secondes.
OU
1 BIP pour entendre un signal sonore uniquement à la fin de la cuisson.
7. Sélectionner le signal sonore désiré à l'aide de la touche de réglage rapide de gauche.
8. Appuyer sur SETUP pour sortir.

Pour modifier les signaux sonores de la minuterie :

1. Appuyer sur SETUP (réglage).
2. Utiliser la touche de réglage rapide de droite pour faire défiler les options jusqu'à SIGNAUX SONOR.
3. Sélectionner SIGNAUX SONOR à l'aide de la touche de réglage rapide de gauche.
4. Utiliser la touche de réglage rapide de droite pour faire défiler les options jusqu'à SIGNAUX MINUT.
5. Sélectionner SIGNAUX MINUT à l'aide de la touche de réglage rapide de gauche.

6. Utiliser la touche de réglage rapide de droite pour faire défiler les options et sélectionner :
1-30 SEC pour entendre un signal sonore toutes les 30 secondes.
OU
1-60 SEC pour entendre un signal sonore toutes les 60 secondes.
OU
1 BIP pour entendre un signal sonore uniquement à la fin de la cuisson.
7. Sélectionner le signal sonore désiré à l'aide de la touche de réglage rapide de gauche.
8. Appuyer sur SETUP pour sortir.

Pour modifier le volume des signaux sonores :

1. Appuyer sur SETUP (réglage).
2. Utiliser la touche de réglage rapide de droite pour faire défiler les options jusqu'à SIGNAUX SONOR.
3. Sélectionner SIGNAUX SONOR à l'aide de la touche de réglage rapide de gauche.
4. Utiliser la touche de réglage rapide de droite pour faire défiler les options jusqu'à VOLUME.
5. Sélectionner VOLUME à l'aide de la touche de réglage rapide de gauche.
6. Utiliser la touche de réglage rapide de droite pour faire défiler les options et sélectionner :
HIGH pour le volume le plus élevé.
OU
MEDIUM pour le volume moyen.
OU
LOW pour le volume le plus faible.
7. Sélectionner le volume souhaité à l'aide de la touche de réglage rapide de gauche.
8. Appuyer sur SETUP pour sortir.

Arrêt au bout de 12 heures

Le four s'arrête automatiquement après 12 heures si on le laisse accidentellement en marche.

Pour désactiver cette caractéristique :

1. Appuyer sur SETUP (réglage).
2. Utiliser la touche de réglage rapide de droite pour faire défiler les options jusqu'à ARRET AUT 12 H.
3. Sélectionner ARRET AUT 12 H à l'aide de la touche de réglage rapide de gauche.

4. Sélectionner ON (marche) ou OFF (arrêt) à l'aide des touches de réglage rapide.
5. Appuyer sur SETUP pour sortir.

Économie d'énergie

Pour économiser de l'énergie, l'afficheur peut être réglé pour s'éteindre lorsqu'il n'est pas utilisé.

Réglage de la caractéristique d'économie d'énergie :

1. Appuyer sur SETUP (réglage).
2. Utiliser la touche de réglage rapide de droite pour faire défiler les options jusqu'à ECONOM ENERGIE.
3. Sélectionner ECONOM ENERGIE à l'aide de la touche de réglage rapide de gauche.
4. Sélectionner ON (marche) ou OFF (arrêt) à l'aide des touches de réglage rapide.
5. Appuyer sur SETUP pour sortir.

Appuyer sur n'importe quelle touche pour "réveiller" l'afficheur.

Service

Cette zone de la commande du four affiche le numéro de téléphone sans frais du Centre pour l'eXpérience avec la clientèle de Jenn-Air.

1. Appuyer sur SETUP (réglage).
2. Utiliser la touche de réglage rapide de droite pour faire défiler les options jusqu'à ENTRETIEN.
3. Sélectionner ENTRETIEN à l'aide de la touche de réglage rapide de gauche pour afficher le numéro.
4. Appuyer sur SETUP pour sortir.

Démonstration

Sélectionner le mode de démonstration pour visualiser une brève présentation des caractéristiques de la cuisinière.

1. Appuyer sur SETUP (réglage).
2. Utiliser la touche de réglage rapide de droite pour faire défiler les options jusqu'à DEMO.
3. Sélectionner DEMO à l'aide de la touche de réglage rapide de gauche.
4. Sélectionner ON (marche) à l'aide de la touche de réglage rapide de gauche.
5. Appuyer sur SETUP pour sortir.

UTILISATION DU FOUR

Des odeurs et de la fumée sont normales lorsque le four est utilisé les premières fois, ou lorsqu'il est très sale.

IMPORTANT : La santé de certains oiseaux est très sensible aux émanations de fumée. L'exposition aux émanations peut entraîner la mort de certains oiseaux. Toujours déplacer les oiseaux dans une autre pièce fermée et bien aérée.

Papier d'aluminium

IMPORTANT : Pour éviter des dommages permanents au fini du fond du four, ne pas recouvrir le fond du four avec du papier d'aluminium ou un revêtement quelconque.

- Pour assurer une bonne circulation de l'air et des résultats de cuisson optimaux, ne pas recouvrir la grille entière de papier d'aluminium.

- Pour récupérer les renversements, placer une feuille de papier d'aluminium sur la grille sur laquelle le plat est placé. Veiller à ce que la feuille d'aluminium dépasse d'au moins ½" (1,3 cm) tout autour du plat et à ce que les bords soient relevés.

Positionnement des grilles et des ustensiles de cuisson au four

IMPORTANT : Afin d'éviter des dommages permanents au fini en porcelaine, ne pas placer d'aliments ou d'ustensiles de cuisson au four directement sur la porte ou sur le fond du four.

Grilles

- Selon le modèle, 2 ou 3 grilles plates standard sont fournies.
- Placer les grilles avant d'allumer le four.

- Ne pas installer les grilles lorsque des ustensiles de cuisson se trouvent dessus.
- S'assurer que les grilles sont d'aplomb.

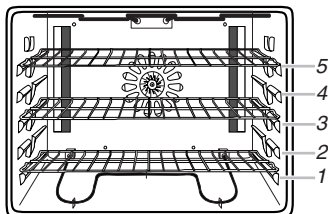
Pour enlever les grilles de four :

Tirer la grille jusqu'à la butée d'arrêt, soulever le rebord avant et la dégager du four.

Pour replacer les grilles de four :

Placer la grille sur le support de grille dans le four. Soulever légèrement le rebord avant et repousser la grille vers l'arrière jusqu'à sa position de blocage. Abaisser l'avant et la pousser de nouveau vers le four.

Positions des grilles



Cuisson traditionnelle

ALIMENT	POSITION DE LA GRILLE
Cuisson et cuisson au gril sur 2 grilles	5
Cuisson au four et cuisson au gril sur 2 grilles	4
La plupart des produits de boulangerie sur une tôle à biscuits ou à roulés, les gâteaux à étages, les tartes aux fruits ou les plats surgelés.	3
Le rôtissage de petits morceaux de viandes, de mets en sauce, la cuisson au four de pain, de gâteaux Bundt, les tartes à la crème, tartes surgelées et la cuisson au four sur 2 grilles.	2
Les gros morceaux de viande et de volaille, les soufflés en dessert, gâteaux des anges ou la cuisson au four sur 2 grilles.	1

Cuisson sur plusieurs grilles

Cuisson sur deux grilles : Utiliser les positions de grille 2 et 5 ou 1 et 4.

Cuisson par convection (sur certains modèles)

FONCTION	NOMBRE DE GRILLES UTILISÉES	POSITION(S) DE LA GRILLE
Cuisson au four ou rôtissage par convection	1	1, 2 ou 3
Cuisson au four par convection	2	2 et 4
Cuisson au four par convection	3	1, 3 et 5

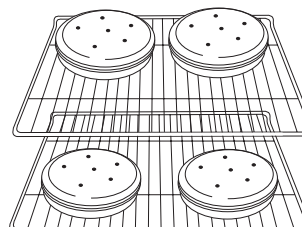
Cuisson par convection sur plusieurs grilles

Cuisson sur trois grilles (sur certains modèles) : Utiliser les positions de grille 1, 3 et 5.

REMARQUE : Lors de la cuisson au four par convection sur 2 ou 3 grilles, vérifier le degré de cuisson des aliments après la durée minimale suggérée afin d'éviter le brunissage ou une cuisson excessive.

Cuisson au four des gâteaux à étages, sur deux grilles

Pour de meilleurs résultats lors de la cuisson au four de gâteaux sur 2 grilles, avec ou sans convection (sur certains modèles), utiliser les grilles 2 et 5. Placer les gâteaux sur la grille tel qu'illustré.



USTENSILES DE CUISSON AU FOUR

L'air chaud doit pouvoir circuler autour de l'aliment pour le cuire uniformément. Laisser 2" (5,0 cm) entre les ustensiles de cuisson et les parois du four. Utiliser le tableau suivant comme guide.

NOMBRE D'USTENSILES	POSITION SUR LA GRILLE
1	Centre de la grille.
2	Côte à côte ou légèrement décalés.
3 ou 4	Dans les coins opposés sur chaque grille. S'assurer qu'aucun ustensile de cuisson ne se trouve directement au-dessus d'un autre.

Ustensiles de cuisson au four

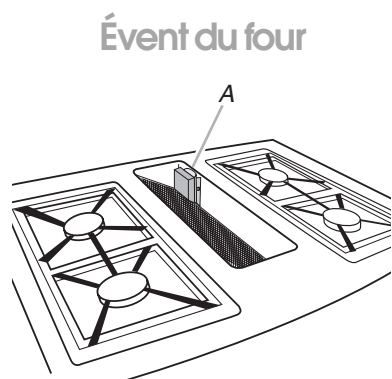
Le matériau des ustensiles de cuisson au four affecte les résultats de cuisson. Suivre les recommandations du fabricant et utiliser le format d'ustensiles recommandé dans la recette. Se servir du tableau suivant comme guide.

USTENSILES DE CUISSON AU FOUR/ RÉSULTATS	RECOMMANDATIONS
Aluminium légèrement coloré <ul style="list-style-type: none"> ■ Croûtes dorées, légères ■ Brunissage uniforme 	<ul style="list-style-type: none"> ■ Utiliser la température et la durée recommandées dans la recette.
Aluminium foncé et autres ustensiles de cuisson au four avec fini foncé, terne et/ou antiadhésif <ul style="list-style-type: none"> ■ Croûtes brunes, croustillantes 	<ul style="list-style-type: none"> ■ Peut nécessiter de réduire légèrement les températures de cuisson. ■ Utiliser la durée de cuisson suggérée. ■ Pour les tartes, pains et mets en sauce, utiliser la température recommandée dans la recette. ■ Placer la grille au centre du four.

USTENSILES DE CUISSON AU FOUR/ RÉSULTATS	RECOMMANDATIONS
Tôles à biscuits ou moules à cuisson à isolation thermique <ul style="list-style-type: none"> ■ Brunissage faible ou non existant à la base 	<ul style="list-style-type: none"> ■ Placer à la troisième position au bas du four. ■ Peut nécessiter d'augmenter le temps de cuisson.
Acier inoxydable <ul style="list-style-type: none"> ■ Croûtes dorées, légères ■ Brunissage inégal 	<ul style="list-style-type: none"> ■ Peut nécessiter d'augmenter le temps de cuisson.
Plats en grès/Pierre de cuisson <ul style="list-style-type: none"> ■ Croûtes croustillantes 	<ul style="list-style-type: none"> ■ Suivre les instructions du fabricant.
Plats en verre, vitrocéramique ou céramique allant au four <ul style="list-style-type: none"> ■ Croûtes brunes, croustillantes 	<ul style="list-style-type: none"> ■ Peut nécessiter de réduire légèrement la température de cuisson.

Thermomètre à viande

Sur les modèles sans sonde thermométrique, se servir d'un thermomètre à viande pour vérifier si la viande, la volaille et le poisson ont atteint le degré de cuisson désiré. C'est la température interne qui indique le degré de cuisson et non l'apparence. Il n'y a pas de thermomètre à viande fourni avec cet appareil. Suivre les instructions du fabricant pour l'emploi d'un thermomètre à viande.



A. Événement du four

L'évent du four permet l'évacuation de l'air chaud et de l'humidité du four et ne doit pas être obstrué ou couvert. Le fait d'obstruer ou de couvrir l'évent entraîne une mauvaise circulation de l'air et affecte les résultats de cuisson et de nettoyage. Ne pas placer près de l'évent du four des produits en plastique, en papier ou d'autres articles qui pourraient fondre ou brûler.

Cuisson au four

La fonction BAKE (cuisson au four) est idéale pour la cuisson au four, le rôtissage ou pour faire chauffer des aliments.

Durant la cuisson au four ou le rôtissage, les éléments de cuisson au four et de gril s'allument et s'éteignent par intermittence afin de maintenir la température du four.

Cuisson au four :

Avant la cuisson au four, placer les grilles tel qu'indiqué à la section "Positionnement des grilles et des ustensiles de cuisson".

Pour la cuisson au four, laisser la cuisinière préchauffer avant de placer des aliments dans le four.

1. Appuyer sur BAKE.
2. Sélectionner la température du four à l'aide des touches de réglage rapide.

OU

Entrer la température désirée à l'aide des touches numériques. La température peut être réglée entre 170°F (80°C) et 550°F (288°C) par tranches de 5°F (1° en Celsius).

3. Appuyer sur ENTER pour le réglage.

Après 3 secondes, le préchauffage du four commence.

"CUISS" et "PRÉCHAUFFAGE" apparaissent sur l'afficheur ainsi que "100°" ("38°" en Celsius) ou la température réelle du four (si elle est la plus élevée des deux).

La température affichée augmente par tranches de 1° jusqu'à ce que le four atteigne la température pré-réglée. Attendre 15 minutes pour que le four préchauffe.

Lorsque le four est préchauffé, il émet un signal sonore et "PRÉCHAUFFAGE" disparaît de l'afficheur.

Pour modifier la température du four en cours de cuisson, appuyer sur BAKE et sélectionner une température affichée ou utiliser les touches numériques pour entrer la température désirée.

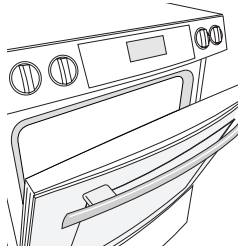
4. Appuyer sur CANCEL (annulation) à la fin de la cuisson. Retirer les aliments du four.

Cuisson au gril

La cuisson au gril utilise la chaleur radiante directe pour cuire les aliments. Le changement de température lors de la cuisson au gril permet un contrôle plus précis de la cuisson. Plus la température est basse, plus la cuisson est lente. Les morceaux épais et de forme irrégulière de viande, de poisson et de volaille cuisent mieux à des températures de cuisson au gril plus basses.

- Pour des résultats optimaux, utiliser une lèchefrite et une grille. Elles sont conçues pour laisser s'écouler les jus et éviter les éclaboussures et la fumée. Il est possible de commander une lèchefrite et une grille de rôtissage de qualité supérieure. Voir la section "Assistance ou service" pour commander. Demander la pièce n° W10123240.
- Pour un écoulement approprié, ne pas couvrir la grille de papier d'aluminium. Le fond de la lèchefrite peut être garni de papier d'aluminium pour en faciliter le nettoyage.
- Enlever l'excès de gras pour réduire les éclaboussures. Entailler le gras résiduel sur les côtés pour éviter que la viande se recroqueville.
- Sortir la grille jusqu'à la butée d'arrêt avant de tourner ou d'enlever les aliments. Utiliser une pince pour tourner les aliments et éviter la perte de jus. Il est possible qu'il ne soit pas nécessaire de tourner les coupes très minces de poisson, de volaille ou de viande.
- Après la cuisson au gril, sortir la lèchefrite du four en même temps que l'aliment. Ce qui reste au fond de la lèchefrite cuira si on la laisse dans le four encore chaud, rendant le nettoyage plus difficile.

Avant la cuisson au grill, placer la grille tel qu'indiqué dans le tableau de cuisson au grill. Faire préchauffer le grill pendant environ 5 minutes. Placer l'aliment sur la grille de la lèche-frite, puis placer celle-ci au centre de la grille du four. Fermer la porte à la position de cuisson au grill pour assurer une température de cuisson au grill adéquate.



Cuisson au grill :

Avant la cuisson au grill, placer la grille tel qu'indiqué dans le tableau de cuisson au grill.

1. Appuyer sur BROIL (cuisson au grill).
2. "HAUTE" et "BASSE" s'affichent.

Utiliser les touches de réglage rapide pour sélectionner HAUTE (550°F/290°C) pour une température de cuisson au grill normale ou BASSE (450°F/230°C) pour une basse température de cuisson au grill.

OU

Pour sélectionner une température de cuisson au grill autre que Haute ou Basse, entrer la température désirée (de 300°F/149°C à 550°F/288°C) à l'aide des touches numériques et appuyer sur ENTER.

3. Appuyer sur CANCEL (annulation) après avoir terminé.

TABLEAU DE CUISSON AU GRILL

Pour obtenir des résultats optimaux, placer l'aliment à au moins 3" (7,0 cm) de l'élément du grill. Les durées de cuisson sont citées à titre indicatif seulement; on peut les régler en fonction des goûts personnels. Les positions recommandées de la grille sont indiquées de la base (1) jusqu'en haut (5). Pour le schéma, voir la section "Positionnement des grilles et ustensiles de cuisson".

ALIMENT	POSITION DE LA GRILLE	DURÉE TOTALE EN MINUTES
Steak 1" (2,5 cm) d'épaisseur à point bien cuit	4 4	18-20 18-22
Galettes de viande hachée ½" (1,3 cm) d'épaisseur bien cuites	4	10-12
Côtelettes de porc 1" (2,5 cm) d'épaisseur Tranches avec os Désossées	4 4	25-28 20-28
Tranche de jambon, précuit 1" (2,5 cm) d'épaisseur tiède	4	12-16

ALIMENT	POSITION DE LA GRILLE	DURÉE TOTALE EN MINUTES
Poulet		Cuisson au grill À BASSE TEMPÉRATURE
morceaux avec os	3	20-33
désossé, poitrine sans peau	4	12-15
Fruits de mer Darnes de poisson 1" (2,5 cm) d'épaisseur floconneux	3 ou 4	10-14
Queues de homard 3-4 oz (85-113 g) chacune	4	7-10

Cuisson par convection (sur certains modèles)

Dans un four à convection, l'air chaud que fait circuler le ventilateur distribue la chaleur de façon continue et plus uniformément que le mouvement naturel de l'air dans un four thermique standard. Ce déplacement de l'air chaud aide à maintenir une température constante dans tout le four, permettant de cuire les aliments plus uniformément, en plus de donner des surfaces et du pain croustillants tout en conservant l'humidité.

La plupart des aliments peuvent être cuits en réduisant les températures de cuisson de 25°F à 50°F (14°C à 28°C) et la durée de cuisson peut être réduite jusqu'à 30 pour cent, surtout pour les gros rôtis et dindes.

- Il est important de ne pas couvrir les aliments avec des couvercles ou du papier d'aluminium de telle sorte que la surface reste exposée au déplacement de l'air, permettant ainsi le brunissage et le croustillant.
- Éviter au maximum la perte de chaleur en ouvrant la porte du four seulement lorsque c'est nécessaire.
- Choisir des tôles à biscuits sans bord et des plats de rôtissage à côtés plus bas pour permettre à l'air de circuler librement autour de l'aliment.
- Vérifier le degré de cuisson des aliments quelques minutes avant le temps de cuisson minimum, en utilisant un cure-dents par exemple.

⚠ AVERTISSEMENT



Risque de brûlures

Utiliser des mitaines de four pour retirer la sonde thermométrique.

Ne pas toucher l'élément du grill.

Le non-respect de ces instructions peut causer des brûlures.

- Utiliser un thermomètre à viande ou la sonde thermométrique (sur certains modèles) pour déterminer le degré de cuisson des viandes et de la volaille.

Cuisson au four par convection (sur certains modèles)

La cuisson au four par convection peut être utilisée pour cuire des aliments sur une ou plusieurs grilles. Il est utile de décaler les articles sur les grilles pour permettre une circulation plus uniforme de la chaleur. Si le four est plein, il faudra peut-être allonger la durée de cuisson.

Lors de la cuisson au four d'un repas comportant plusieurs types différents d'aliments, veiller à choisir des recettes nécessitant des températures semblables. Prévoir un espace d'au moins 1" (2,5 cm) entre l'ustensile de cuisson et les parois du four.

Laisser la cuisinière préchauffer avant de placer des aliments dans le four.

Lors du préchauffage pour la cuisson au four par convection, les éléments du gril ainsi que l'élément de cuisson au four chauffent la cavité du four. Après le préchauffage, l'élément de convection s'allume et s'éteint par intermittence pour maintenir la température du four, tandis que le ventilateur fait circuler l'air chaud de façon continue.

Si la porte du four est ouverte durant la cuisson au four par convection ou le préchauffage, l'élément de convection et le ventilateur s'éteignent immédiatement. Ils se rallumeront une fois la porte fermée.

- Réduire la température de la recette de 25°F (14°C). Il peut aussi être nécessaire de réduire la durée de cuisson.

Cuisson au four par convection :

Avant la cuisson au four par convection, placer les grilles tel qu'indiqué à la section "Positionnement des grilles et des ustensiles de cuisson".

1. Appuyer sur CONVECT (convection).
2. Sélectionner CUISS CONVECT à l'aide de la touche de réglage rapide de gauche.
3. Sélectionner la température du four à l'aide des touches de réglage rapide
OU
Appuyer sur les touches numériques pour entrer une température. La température peut être réglée entre 195°F et 550°F (91°C et 288°C) par tranches de 5° lorsque la fonction Convect Auto est activée. Si la fonction Convect Auto est désactivée, la température peut être réglée à partir de 170°F (77°C).

4. Appuyer sur ENTER.

Après 3 secondes, le préchauffage du four commence. "CUISS CONVECT" et "PRÉCHAUFFAGE" apparaissent sur l'afficheur ainsi que 100° ou la température réelle du four (si elle est la plus élevée des deux).

La température affichée augmente par tranches de 1° jusqu'à ce que le four atteigne la température préréglée. Attendre 15 minutes pour que le four préchauffe.

Lorsque le four est préchauffé, le four émet un signal sonore, "PRÉCHAUFFAGE" s'éteint et "CUISS CONVECT" s'affiche. "AUTO" s'affiche si la fonction de conversion Convect Auto est activée.

5. Placer les aliments dans le four.
6. Appuyer sur CANCEL (annulation) à la fin de la cuisson.

Rôtissage par convection (sur certains modèles)

AVERTISSEMENT

Risque d'empoisonnement alimentaire

Ne pas laisser des aliments dans un four plus d'une heure avant ou après la cuisson.

Le non-respect de cette instruction peut causer un empoisonnement alimentaire ou une maladie.

Le rôtissage par convection peut être utilisé pour le rôtissage de la viande, de la volaille et des légumes.

Rôtissage par convection :

Avant le rôtissage par convection, placer les grilles tel qu'indiqué à la section "Positionnement des grilles et des ustensiles de cuisson". Il n'est pas nécessaire de préchauffer le four avant d'y placer l'aliment, sauf si la recette le recommande. Si la recette suggère le préchauffage du four, prolonger la durée de cuisson de 15 minutes.

1. Placer les aliments dans le four.
2. Appuyer sur CONVECT (convection).
3. Utiliser la touche de réglage rapide de droite pour faire défiler les options jusqu'à ROTISS CONVECT.
4. Sélectionner ROTISS CONVECT à l'aide de la touche de réglage rapide de gauche.
5. Sélectionner la température du four à l'aide des touches de réglage rapide.

OU

Entrer la température désirée à l'aide des touches numériques.

La température peut être réglée entre 170°F et 550°F (77°C et 288°C).

6. Appuyer sur la touche ENTER pour le réglage.
7. Sélectionner la durée de cuisson à l'aide des touches de réglage rapide.

OU

Entrer la durée de cuisson désirée à l'aide des touches numériques.

REMARQUE : Si la fonction Convect Auto est désactivée, il n'est pas nécessaire d'entrer une durée de rôtissage.

8. Appuyer sur la touche ENTER pour le réglage.
Après 3 secondes, le four commence à chauffer. "ROTISS CONVECT" apparaît sur l'afficheur ainsi que "100°" ou la température réelle du four (si elle est la plus élevée des deux).

La température affichée augmente par tranches de 1° jusqu'à ce que le four atteigne la température préréglée.

Le compte à rebours de la durée de cuisson commence.

9. À 75 % de la durée de cuisson, le four émet un signal sonore pour vous indiquer de vérifier les aliments. Vérifier la cuisson à l'aide d'un thermomètre à viande.

Si les aliments sont cuits, les retirer du four et appuyer sur la touche CANCEL (annulation) pour éteindre le four.

Si les aliments ne sont pas cuits, poursuivre le rôtissage.

Une fois que la durée réglée s'est écoulée, le four passe automatiquement en mode Keep Warm™ (maintien au chaud) pendant une heure avant de s'éteindre. Si on veut retirer les aliments du four avant qu'une heure se soit écoulée, appuyer sur la touche CANCEL.

Cuisson de pâtisseries par convection

(sur certains modèles)

La cuisson de pâtisseries par convection est conçue pour faire cuire des articles de pâtisserie tels que des tartes surgelées, des chaussons, des choux à la crème et la pâte feuilletée. Utiliser 1, 2 ou 3 grilles pour cette fonction.

1. Appuyer sur CONVECT (convection).
2. Utiliser la touche de réglage rapide de droite pour faire défiler les options jusqu'à PATISS CONVECT.
3. Sélectionner PATISS CONVECT à l'aide de la touche de réglage rapide de gauche.
4. Sélectionner la température du four à l'aide des touches de réglage rapide.

OU

Entrer la température désirée à l'aide des touches numériques.

La température peut être réglée entre 195°F et 550°F (91°C et 288°C) par tranches de 5°.

5. Appuyer sur la touche ENTER pour le réglage.

Après 3 secondes, le préchauffage du four commence. "PATISS CONVECT" et "PRÉCHAUFFAGE" apparaissent sur l'afficheur ainsi que "100°" ou la température réelle du four (si elle est la plus élevée des deux). AUTO s'affiche si la fonction de conversion Convect Auto est activée.

La température affichée augmente par tranches de 1° jusqu'à ce que le four atteigne la température pré-réglée. Attendre 15 minutes pour que le four préchauffe.

Lorsque le four est préchauffé, le four émet un signal sonore, "PRÉCHAUFFAGE" s'éteint et "PATISS CONVECT" s'affiche.

6. Appuyer sur CANCEL (annulation) à la fin de la cuisson.

Préchauffage rapide

(sur certains modèles)

Utiliser le préchauffage rapide pour réduire la durée de préchauffage pour la cuisson au four et la cuisson au four par convection. Utiliser pour tous les aliments en cas de cuisson sur 1 grille.

Pour des résultats optimaux, utiliser la position de grille 2 ou 3 en cas d'utilisation de l'option de préchauffage rapide.

Pour des résultats optimaux de cuisson et de brunissage, il n'est pas recommandé d'utiliser le préchauffage rapide en cas de cuisson sur plusieurs grilles.

Activation :

Une fois que la cuisson au four ou la cuisson au four par convection a été programmée et activée, appuyer sur RAPID PREHEAT (préchauffage rapide).

"1 GRILLE SEUL" s'affiche et après 10 secondes l'écran affiche "RAPIDE" et "PRÉCHAUFFAGE".

La durée de préchauffage est de 5 minutes.

Pour revenir au préchauffage standard :

Appuyer sur RAPID PREHEAT. Ceci permet de revenir au préchauffage standard. "PRÉCHAUFFAGE" et la fonction sélectionnée s'affichent.

Plus d'options

AVERTISSEMENT

Risque d'empoisonnement alimentaire

Ne pas laisser des aliments dans un four plus d'une heure avant ou après la cuisson.

Le non-respect de cette instruction peut causer un empoisonnement alimentaire ou une maladie.

Cuisson et maintien au chaud

1. Appuyer sur MORE OPTIONS (plus d'options).
2. Sélectionner CUISS/CHAUD au moyen de la touche de réglage rapide de gauche.
3. Sélectionner la durée de cuisson à l'aide des touches de réglage rapide.
OU
Entrer la durée de cuisson souhaitée à l'aide des touches numériques.
4. Appuyer sur ENTER pour le réglage.
5. Sélectionner CUISSON ou CONVECT à l'aide des touches de réglage rapide.
Quand on a appuyé sur CONVECT, sélectionner CUISS CONVECT, ROTISS CONVECT ou PATISS CONVECT, puis sélectionner la fonction souhaitée à l'aide de touche de réglage rapide de gauche.
6. Sélectionner la température à l'aide des touches de réglage rapide.
OU
Entrer la température souhaitée à l'aide des touches numériques.

IMPORTANT : Si la recette recommande le préchauffage du four, prolonger la durée de cuisson de 15 minutes.

Mise en marche différée

Réglage de la cuisson différée :

1. Appuyer sur MORE OPTIONS (plus d'options).
2. Utiliser la touche de réglage rapide de droite pour faire défiler les options jusqu'à DEMARR DIFFERE.
3. Sélectionner DEMARR DIFFERE à l'aide de la touche de réglage rapide de gauche.
4. Sélectionner la durée de cuisson différée à l'aide des touches de réglage rapide ou des touches numériques.
5. Sélectionner CUISSON.
6. Sélectionner une des températures affichées ou utiliser les touches numériques pour entrer la température.
7. Sélectionner la durée de cuisson à partir des durées affichées ou utiliser les touches numériques pour entrer la durée de cuisson.
8. L'afficheur présente "DEMARR DIFFERE", la fonction sélectionnée, la température présélectionnée et le compte à rebours de la mise en marche différée.

Lorsque le délai s'est écoulé, la durée de cuisson s'affiche et le four commence à préchauffer.

Réglage de la cuisson par convection différée (sur certains modèles) :

1. Appuyer sur MORE OPTIONS (plus d'options).
2. Utiliser la touche de réglage rapide de droite pour faire défiler les options jusqu'à DEMARR DIFFERE.
3. Sélectionner DEMARR DIFFERE à l'aide de la touche de réglage rapide de gauche.
4. Sélectionner l'heure de mise en marche différée à l'aide des touches de réglage rapide ou des touches numériques.
5. Utiliser la touche de réglage rapide de droite pour faire défiler les options jusqu'à CONVECT.
6. Sélectionner CONVECT à l'aide de la touche de réglage rapide de gauche.
7. Appuyer sur la touche de réglage rapide de droite pour faire défiler les options jusqu'à CUISS CONVECT, ROTISS CONVECT ou PATISS CONVECT.
8. Sélectionner la fonction souhaitée à l'aide de la touche de réglage rapide de gauche.
9. Sélectionner une des températures affichées ou utiliser les touches numériques pour entrer la température.
10. Sélectionner une des durées de cuisson affichées ou utiliser les touches numériques pour entrer la durée de cuisson.

L'afficheur présente "DEMARR DIFFERE", la fonction sélectionnée, la température présélectionnée et le compte à rebours de la mise en marche différée.

Lorsque le délai s'est écoulé, la durée de cuisson s'affiche et le four commence à préchauffer.

Levée de pain (sur certains modèles)

La caractéristique de levée de pain peut être utilisée pour lever des produits de pain à base de levure avant la cuisson. Deux méthodes de levée sont disponibles : rapide et standard.

La levée de pain standard dans le four protège la pâte des changements de température dans la pièce ou des courants d'air qui affectent généralement la levée sur un comptoir.

La levée rapide fournit des résultats de levée plus rapides que la levée sur un comptoir ou standard sans que la levure ne perde de son efficacité.

Pour faire lever la pâte :

1. Appuyer sur MORE OPTIONS (plus d'options).
2. Appuyer sur la touche de réglage rapide de droite pour faire défiler les options jusqu'à FERMENTATION.
3. Sélectionner FERMENTATION à l'aide de la touche de réglage rapide de gauche.
4. Sélectionner RAPIDE ou NORM à l'aide des touches de réglage rapide.
5. Appuyer sur CANCEL (annulation) lorsque la levée est terminée.

REMARQUES :

- Pour toute pâte qui nécessite une seule levée, les deux méthodes (normale ou rapide) peuvent être utilisées.
- En cas d'utilisation de pâte à pain surgelée, choisir FERMENT RAPIDE. Il n'est pas nécessaire de décongeler la pâte avant la levée.
- Pour les pâtes nécessitant 2 levées, il est nécessaire d'utiliser la levée normale pour la première levée. Pour la deuxième levée, on peut utiliser l'une ou l'autre méthode (rapide ou normale).
- Si la température du four est trop élevée pour la levée, "REFROIDISS" s'affiche.

Maintien au chaud

IMPORTANT : Les aliments doivent être à la température de service avant d'être placés dans le four chaud. Les aliments peuvent être gardés au four jusqu'à une heure; toutefois, les pains et les mets en sauce peuvent devenir trop secs s'ils sont laissés dans le four durant la fonction de maintien au chaud.

La caractéristique Keep Warm™ (maintien au chaud) permet de garder les aliments cuits chauds à la température de service. Elle peut aussi être utilisée à la fin d'une cuisson minutée.

Suivre les recommandations du fabricant pour le chauffage des bols et plats de service vides.

Utilisation :

1. Appuyer sur MORE OPTIONS (plus d'options).
2. Appuyer sur la touche de réglage rapide de droite pour faire défiler les options jusqu'à MAINTIEN CHAUD.
3. Sélectionner MAINTIEN CHAUD à l'aide de la touche de réglage rapide de gauche.
4. Sélectionner l'une des températures affichées ou entrer la température désirée à l'aide des touches numériques. Les températures peuvent être réglées entre 145°F et 190°F (63°C et 88°C).
"MAINTIEN CHAUD" et la température s'affichent.
"PRÉCHAUFFAGE" s'affiche jusqu'à ce que la température programmée soit atteinte.
Lorsque le four est préchauffé, un signal sonore est émis et "MAINTIEN CHAUD" et la température s'affichent.
5. Appuyer sur CANCEL (annulation) après avoir terminé.

Pour faire réchauffer des petits pains mollets :

1. Couvrir sans les serrer les petits pains de papier d'aluminium et les placer dans le four.
2. Appuyer sur MORE OPTIONS (plus d'options).
3. Appuyer sur la touche de réglage rapide de droite pour faire défiler les options jusqu'à MAINTIEN CHAUD.
4. Sélectionner MAINTIEN CHAUD à l'aide de la touche de réglage rapide de gauche.
5. Sélectionner la température de 170° (77° en Celsius). Réchauffer pendant 12 à 15 minutes.

Pour faire réchauffer des assiettes :

REMARQUES :

Utiliser uniquement des assiettes allant au four. Vérifier auprès du fabricant.

Pour éviter les craquelures ou bris, ne pas placer de plats chauds sur une surface froide.

1. Placer 2 piles de 4 assiettes maximum chacune dans le four.
2. Appuyer sur MORE OPTIONS (plus d'options).
3. Appuyer sur la touche de réglage rapide de droite pour faire défiler les options jusqu'à MAINTIEN CHAUD.
4. Sélectionner MAINTIEN CHAUD à l'aide de la touche de réglage rapide de gauche.
5. Sélectionner la température de 170° (77° en Celsius). Réchauffer pendant 5 minutes. Appuyer sur CANCEL (annulation) pour éteindre le four et laisser les assiettes au four pendant 15 minutes de plus.

Sonde thermométrique (sur les modèles à convection)

AVERTISSEMENT



Risque de brûlures

Utiliser des mitaines de four pour retirer la sonde thermométrique.

Ne pas toucher l'élément du grill.

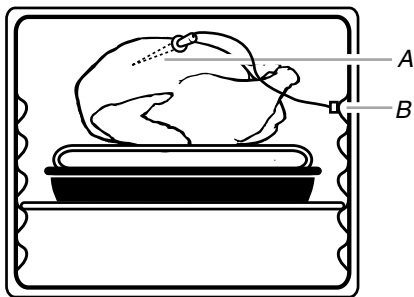
Le non-respect de ces instructions peut causer des brûlures.

La sonde thermométrique mesure précisément la température interne de la viande, de la volaille et des mets en sauce liquides et doit être utilisée pour déterminer le degré de cuisson de la viande et de la volaille. Elle ne doit pas être utilisée en même temps que la cuisson au grill centrale et complète, la cuisson au grill par convection, la déshydratation ou lorsqu'on fait lever du pain.

Toujours débrancher et retirer la sonde thermométrique du four lorsqu'on retire la nourriture.

Utilisation :

Avant l'utilisation, insérer la sonde au centre de la partie la plus épaisse de la viande ou à l'intérieur de la cuisse ou poitrine de poulet, loin de la graisse et des os à un angle tel qu'illustré sur le schéma suivant. Placer les aliments dans le four. À l'aide de la poignée de la sonde, connecter la sonde thermométrique à la prise. Garder autant que possible la sonde loin d'une source de chaleur. Fermer la porte du four.



A. Sonde thermométrique

B. Prise de la sonde thermométrique

1. Appuyer sur MORE OPTIONS (plus d'options).
2. Utiliser la touche de réglage rapide de droite pour faire défiler les options jusqu'à SONDE THERMIQ.
3. Sélectionner SONDE THERMIQ à l'aide de la touche de réglage rapide de gauche.
4. Régler la température interne souhaitée de l'aliment en sélectionnant l'une des températures affichées ou utiliser les touches numériques pour entrer la température. La sonde thermométrique peut être réglée entre 100°F et 185°F (38°C et 85°C).

Si la sonde thermométrique n'est pas insérée, INSERER SONDE s'affiche.

5. Sélectionner CUISSON ou CONVECT.
6. Si l'on a sélectionné CONVECT, sélectionner CUISS CONVECT, ROTISS CONVECT ou PATISS CONVECT.
7. Régler la température du four en sélectionnant l'une des températures affichées ou utiliser les touches numériques pour entrer la température.
L'affichage indique brièvement les températures sélectionnées pour le four et la sonde thermométrique.
Après 10 secondes, l'affichage indique la température réelle du four et de la sonde thermométrique.
IMPORTANT : Si l'on retire la sonde thermométrique de son logement dans le four à n'importe quel moment durant le processus de cuisson, le panneau de commande affiche INSERER SONDE. Si la sonde thermométrique n'est pas réinsérée dans les 30 secondes, le programme est annulé et le four s'éteint.
8. Lorsque la température interne de l'aliment sélectionnée est atteinte, le four s'éteint et "SONDE FIN" apparaît sur l'affichage.
REMARQUE : Afin d'éviter de trop cuire les aliments, les retirer du four dès que le four s'éteint.
9. À l'aide de la poignée de la sonde, retirer la sonde de la prise. La sonde sera chaude. La manipuler avec une mitaine de four ou une poignée antichaleur lorsqu'on la retire du four.

Pour modifier la température de la sonde ou le réglage du four :

Appuyer sur CANCEL (annulation) puis répéter les étapes précédentes.

Après la cuisson, débrancher la sonde et retirer l'aliment du four. Voir la section "Nettoyage général" pour le nettoyage de la sonde.

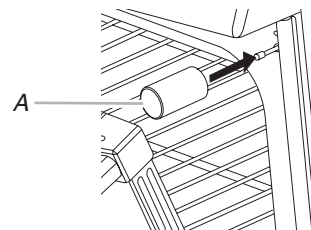
Séchage (sur certains modèles)

Pour des résultats optimaux, utiliser une grille de séchage. La grille de séchage permet à l'air de circuler de façon uniforme autour des aliments.

Le ventilateur de convection fonctionne pendant la procédure de séchage.

Réglage du séchage :

1. Ouvrir légèrement la porte du four. La porte du four doit être légèrement ouverte pour permettre à l'humidité de s'échapper du four durant le processus de séchage.
2. Placer la cale d'espacement magnétique de porte (pièce n° 8010P146-60) sur l'interrupteur à piston. La cale d'espacement fournit un espace entre le cadre du four et la porte du four afin de permettre à l'humidité de s'échapper.



A. Cale d'espacement magnétique de la porte

3. Fermer légèrement la porte jusqu'à ce que l'aimant soit en contact avec la porte du four. L'aimant maintient la cale en place durant le processus de séchage et permet de pouvoir ouvrir la porte à tout moment durant le séchage tout en maintenant un positionnement adéquat.
IMPORTANT : Si la cale n'est pas installée correctement, le ventilateur de convection ne fonctionne pas.
4. Appuyer sur CONVECT (convection).
5. Utiliser la touche de réglage rapide de droite pour faire défiler les options jusqu'à DESHYDRATATION.
6. Sélectionner DESHYDRATATION à l'aide de la touche de réglage rapide de gauche.

7. Utiliser les touches de réglage rapide pour sélectionner une température affichée ou entrer une température à l'aide des touches numériques. Les températures peuvent être réglées entre 100°F et 200°F (38°C et 93°C).
8. "DESHYDRATATION" et la température s'affichent. "PRÉCHAUFFAGE" s'affiche jusqu'à ce que la température programmée soit atteinte.
9. Appuyer sur CANCEL (annulation) à la fin du séchage.

Suivre le tableau du Guide de séchage pour les durées de séchage.

Vérifier les aliments aux durées minimums indiquées. Laisser les aliments refroidir à la température ambiante avant de tester la cuisson.

TABLEAU DU GUIDE DE SÉCHAGE

- Les durées de séchage varient en fonction de la teneur en eau et en sucre des aliments, de la taille des morceaux d'aliments, de la quantité d'aliments à sécher et de l'humidité dans l'air.
- Vérifier les aliments à la durée de séchage minimum. Faire sécher plus longtemps si nécessaire.
- Les fruits qui brunissent du fait de l'exposition à l'air doivent être traités avec un antioxydant. Essayer l'une des méthodes suivantes :
 1. Plonger le fruit dans un mélange de 3 c. (44,4 mL) à soupe de jus de citron pour 1 pinte (0,95 L) d'eau fraîche.
 2. Faire tremper le fruit dans une solution contenant 1 c. (4,9 mL) à thé d'acide ascorbique ou d'antioxydant commercial pour 1 pinte (0,95 L) d'eau fraîche.
- La plupart des fruits et légumes sèchent bien et conservent leur couleur lorsqu'on les sèche à 140°F (60°C). La viande et le charqui doivent être séchés entre 145°F et 150°F (63°C et 65°C). Pour une saveur optimale, sécher les herbes à 100°F (38°C); cependant, à cette température plus basse, prévoir des durées de séchage prolongées jusqu'à 8 heures.
- Les aliments risquent de couler durant le processus de séchage. Après le séchage d'aliments à teneur élevée en acide ou en sucre, nettoyer le fond du four à l'eau savonneuse. Le fini du four en porcelaine risque de se décolorer si des résidus alimentaires acides ou sucrés ne sont pas essuyés avant un programme à chaleur élevée ou d'autonettoyage.
- On peut sécher plus d'une grille d'aliments à la fois. Cependant, il faut prolonger la durée de séchage.
- Consulter d'autres ressources à la bibliothèque locale ou appeler le conseiller agricole local pour plus d'information.

ALIMENT	VARIÉTÉS SE PRÊTANT LE MIEUX AU SÉCHAGE	PRÉPARATION	DURÉE DE SÉCHAGE APPROX. À 140°F (60°C) [HEURES]**	VÉRIFIER LA CUISSON À LA DURÉE DE SÉCHAGE MINIMUM
FRUITS				
Pommes*	Variétés de pommes fermes : Graven Stein, Granny Smith, Jonathan, Winesap, Rome Beauty, Newton	Laver, peler si désiré, enlever le trognon et découper en tranches de 1/8" (3,0 mm).	4 à 8	Flexible à croustillante. Les pommes sèches se conservent mieux lorsqu'elles sont légèrement croustillantes.
Abricots*	Blenheim/Royal les plus communs. Les Tilton conviennent également.	Laver, couper en deux et retirer les noyaux.	18 à 24	Souple et flexible
Bananes*	Variétés fermes	Peler et couper en tranches de 1/4" (6 mm).	17 à 24	Flexible à croustillante
Cerises	Lambert, Royal Ann, Napoléon, Van ou Bing	Laver et retirer les queues. Couper en deux et retirer les noyaux.	18 à 24	Flexible et tannée
Nectarines et pêches*	Variétés à noyau non adhérent	Couper en deux et retirer les noyaux. Il n'est pas indispensable de les peler mais le fruit sec pelé a une meilleure apparence.	24 à 36	Flexible et tannée
Poires*	Bartlett	Peler, couper en deux et retirer le trognon.	24 à 36	Souple et flexible
Ananas	Frais ou en conserve	Laver, peler et retirer les parties noires. Découper dans le sens de la longueur et retirer le cœur. Couper en travers en tranches de 1/2" (12,0 mm).	En conserve : 14 à 18 Frais : 12 à 16	Souple et flexible

ALIMENT	VARIÉTÉS SE PRÊTANT LE MIEUX AU SÉCHAGE	PRÉPARATION	DURÉE DE SÉCHAGE APPROX. À 140°F (60°C) [HEURES]**	VÉRIFIER LA CUISSON À LA DURÉE DE SÉCHAGE MINIMUM
Zeste d'orange et de citron	Sélectionner des fruits à peau rugueuse. Ne pas sécher la peau des fruits marqués "avec colorant ajouté".	Laver soigneusement. Peler finement la partie extérieure de la peau sur 1/16" à 1/8" (1,5 mm à 3,0 mm).	1 à 2	Dure à friable
LÉGUMES				
Tomates	Prune, Roma	Couper en deux, retirer les pépins. Placer les fruits sur la grille avec la peau vers le haut. Piquer les peaux.	12 à 18	Dure à croustillante
Carottes	Danvers demi-longues, Imperator, Chantenay à cœur rouge	Ne pas utiliser des carottes à fibre ligneuse ou à cœur nerveux. Laver, couper les extrémités et peler si désiré. Couper en travers ou en diagonale en tranches de 1/4" (6,0 mm). Faire blanchir pendant 3 minutes.	4 à 8	Dure à friable
Piments	Ancho, Anaheim	Laver, couper en deux et enlever les pépins. Piquer la peau plusieurs fois.	4 à 6	Les gousses doivent être d'apparence ratatinée, rouge foncé et croustillante.
HERBES				
Persil, menthe, coriandre, sauge, origan		Rincer à l'eau froide. Assécher en tapotant avec de l'essuie-tout. Laisser les tiges jusqu'à ce que les feuilles soient sèches puis les jeter.	1 à 3	Friable et granuleuse
Basilic		Couper les feuilles de 3" à 4" (7,6 cm à 10,2 cm) à partir du haut de la plante juste au début du bouton. Rincer les feuilles à l'eau froide.	2 à 5	Friable et granuleuse

*Fruits nécessitant un antioxydant pour éviter la décoloration.

**L'arrêt automatique au bout de 12 heures n'est pas actif durant les fonctions de séchage.

Décongeler et servir (sur certains modèles)

AVERTISSEMENT

Risque d'empoisonnement alimentaire

Ne pas laisser des aliments dans un four plus d'une heure avant ou après la cuisson.

Le non-respect de cette instruction peut causer un empoisonnement alimentaire ou une maladie.

Utiliser la fonction Décongeler et servir pour décongeler les aliments surgelés qui nécessitent d'être décongelés, sans cuisson, avant le service.

IMPORTANT : Cette caractéristique n'est pas conçue pour la décongélation de la viande ou d'autres aliments qui doivent être cuits avant le service.

Réglage de la fonction Décongeler et servir :

1. Placer les aliments dans le four sur la grille en position 2.
2. Appuyer sur CONVECT (convection).
3. Appuyer sur la touche de réglage rapide de droite pour faire défiler les options jusqu'à DECONG SERVIR.
4. Sélectionner DECONG SERVIR à l'aide de la touche de réglage rapide de gauche.
5. Sélectionner la durée de décongélation à l'aide des touches de réglage rapide.
OU
Entrer la durée désirée à l'aide des touches numériques.
6. Appuyer sur Enter pour le réglage. "DECONG SERVIR", "COOK TIME" et le compte à rebours de la durée de cuisson s'affichent.
7. Si la décongélation est terminée avant l'écoulement de la durée prévue, appuyer sur la touche CANCEL (annulation) et sortir les aliments du four. Lorsque la durée s'est écoulée, le four s'éteint et un signal sonore retentit.

TABLEAU DÉCONGELER ET SERVIR

ALIMENTS SURGELÉS*	DURÉE DE LA FONCTION DÉCONGELER ET SERVIR**	CONSEILS
<p>Tartes et gâteaux entiers</p> <p>Tartes : Meringue au citron, crème, pacanes, chocolat, patates douces, tarte soyeuse</p> <p>Gâteaux : Vanille, chocolat, noix de coco, trois étages, quatre-quarts, gâteau Boston</p>	<ol style="list-style-type: none"> Sortir les aliments surgelés du carton et de l'emballage. Placer les aliments surgelés sur la grille au milieu du four. Mettre en marche la fonction Décongeler et servir pendant 15 minutes pour les gâteaux et 30 minutes pour les tartes. Retirer du four. Découper en portions individuelles et placer sur des assiettes. Remettre les assiettes au four. Mettre en marche la fonction Décongeler et servir pendant 10 à 30 minutes. 	<p>Le fait de décongeler pendant 30 minutes permet de découper plus facilement des tartes, gâteaux et gâteaux au fromage entiers.</p> <p>Les gâteaux à étages ne nécessitent que 15 minutes avant le découpage.</p> <p>Les dimensions et la texture des aliments à décongeler affectent la durée de la fonction Décongeler et servir.</p> <p>Les desserts plus grands ou plus denses risquent de prendre plus de temps à décongeler.</p> <p>Les tranches de gâteaux décongèlent plus rapidement que les tartes. Les tranches de tartes aux patates douces peuvent nécessiter de 20 à 30 minutes.</p>
<p>Portions individuelles : Parts de tarte, parts de gâteau, autres desserts individuels, éclairs, choux à la crème</p>	<ol style="list-style-type: none"> Sortir les aliments surgelés de l'emballage. Placer sur une assiette. Placer l'assiette sur une grille au milieu du four. Mettre en marche la fonction Décongeler et servir pendant 10 à 30 minutes. 	
<p>Gâteau au fromage</p>	<ol style="list-style-type: none"> Sortir l'aliment surgelé du carton et de l'emballage. Placer l'aliment surgelé sur la grille au milieu du four. Mettre en marche la fonction Décongeler et servir pendant 30 minutes. Retirer du four. Découper en portions individuelles et placer sur des assiettes. Remettre les assiettes au four. Mettre en marche la fonction Décongeler et servir jusqu'à 15 minutes si désiré. 	

*Seuls les aliments surgelés "Décongeler et servir" ou "prêts à servir" peuvent être utilisés avec cette caractéristique. Ne pas essayer de décongeler de la viande, volaille surgelée ou des fruits de mer surgelés.

**Il n'est pas nécessaire de préchauffer le four.

Recettes favorites

AVERTISSEMENT

Risque d'empoisonnement alimentaire

Ne pas laisser des aliments dans un four plus d'une heure avant ou après la cuisson.

Le non-respect de cette instruction peut causer un empoisonnement alimentaire ou une maladie.

La fonction Favorites (recettes favorites) conserve le mode du four, la durée et la température de cuisson de 10 recettes favorites maximum. Les fours à convection comportent 5 recettes préprogrammées.

Pour sélectionner une recette à partir de la liste des recettes programmées :

- Appuyer sur FAVORITES (recettes favorites).
- Sélectionner LISTE RECETTES à l'aide de la touche de réglage rapide de gauche.
- Utiliser la touche de réglage rapide de droite pour faire défiler les recettes jusqu'à la recette désirée.
- Sélectionner la recette désirée à l'aide de la touche de réglage rapide de gauche.
- Une fois que la recette est sélectionnée, le four commence le préchauffage pour le programme réglé.
On peut appuyer sur MORE OPTIONS (plus d'options) pour ajouter CUISS/CHAUD ou DEMARR DIFFERE.
- Appuyer sur CANCEL (annulation) à la fin de la cuisson.

Pour sauvegarder la dernière recette réalisée :

(Cuisson au four, cuisson au four par convection, rôtissage par convection, cuisson de pâtisseries par convection, cuisson au gril par convection, séchage, maintien au chaud, levée de pain - tous les modes de cuisson ne sont pas disponibles sur tous les modèles.)

1. Appuyer sur FAVORITES (recettes favorites).
2. Utiliser la touche de réglage rapide de droite pour faire défiler les options jusqu'à GARDER DERNIER.
3. Sélectionner GARDER DERNIER à l'aide de la touche de réglage rapide de gauche.
4. Entrer le nom à l'aide des touches.
Après chaque lettre désirée, attendre 3 secondes jusqu'à ce qu'un trait de soulignement apparaisse dans l'espace suivant avant de passer à la lettre suivante.
Par exemple, pour sauvegarder la recette de lasagnes, appuyer sur la touche "JKL" 3 fois pour "L", appuyer sur la touche "ABC" une fois pour "A", appuyer sur la touche "STU" une fois pour "S". Continuer jusqu'à la fin du mot. On peut utiliser jusqu'à 14 lettres, espaces inclus.
5. Appuyer sur ENTER pour sauvegarder le nom.
Lorsque le nom de la recette a été entré, les derniers réglages s'affichent pendant quelques secondes. "LISTE RECETTES" s'affiche.
6. Appuyer sur FAVORITES pour sortir du menu Favorites.

Pour créer une nouvelle recette favorite :

1. Appuyer sur FAVORITES.
2. Appuyer sur la touche de réglage rapide de droite pour faire défiler les options jusqu'à CREER NOUVEAU.
3. Sélectionner CREER NOUVEAU à l'aide de la touche de réglage rapide de gauche.
4. Entrer le nom à l'aide des touches.
Après chaque lettre désirée, attendre 3 secondes jusqu'à ce qu'un trait de soulignement apparaisse dans l'espace suivant avant de passer à la lettre suivante.
Par exemple, pour sauvegarder la recette de lasagnes, appuyer sur la touche "JKL" 3 fois pour "L", appuyer sur la touche "ABC" une fois pour "A", appuyer sur la touche "STU" une fois pour "S". Continuer jusqu'à la fin du mot. On peut utiliser jusqu'à 14 lettres, espaces inclus.
5. Appuyer sur ENTER pour sauvegarder le nom. SELECT MODE (mode de sélection) apparaît.
6. Appuyer sur la touche de réglage rapide de droite pour faire défiler les options jusqu'au mode de cuisson désiré, tel que Cuisson, Cuiss Convect, Rotiss Convect, etc. (Tous les modes de cuisson ne sont pas disponibles sur tous les modèles).
7. Sélectionner le mode de cuisson à l'aide de la touche de réglage rapide de gauche.

8. Sélectionner la température du four à l'aide des touches de réglage rapide.
OU
Entrer la température désirée à l'aide des touches numériques.
9. Ajouter Cuiss/Chaud en sélectionnant OUI ou omettre Cuiss/Chaud en sélectionnant NON.
En cas de sélection de OUI, entrer la durée de cuisson à l'aide des touches de réglage rapide ou des touches numériques.
10. Ajouter Démarr différé en sélectionnant OUI ou omettre Démarr différé en sélectionnant NON.
En cas de sélection de OUI, entrer la durée différée à l'aide des touches de réglage rapide ou des touches numériques.
11. La commande affiche les réglages programmés puis revient au menu Favorites.
12. Appuyer sur FAVORITES pour sortir du menu Favorites.

Pour modifier une recette sauvegardée :

1. Appuyer sur FAVORITES.
2. Appuyer sur la touche de réglage rapide de droite pour faire défiler les options jusqu'à MODIF RECETTE.
3. Sélectionner MODIF RECETTE à l'aide de la touche de réglage rapide de gauche.
4. Utiliser la touche de réglage rapide de droite pour faire défiler les options jusqu'à la recette que l'on souhaite modifier.
5. Sélectionner la recette souhaitée pour la modifier à l'aide de la touche de réglage rapide de gauche.
6. Appuyer sur ENTER et suivre le menu pour modifier les réglages de recette tel que désiré.
7. L'afficheur retourne au menu Favorites. "LISTE RECETTES" s'affiche.
8. Appuyer sur FAVORITES pour sortir du menu Favorites.

Pour supprimer une recette favorite :

1. Appuyer sur FAVORITES.
2. Appuyer sur la touche de réglage rapide de droite pour faire défiler les options jusqu'à EFFAC RECETTE.
3. Sélectionner EFFAC RECETTE à l'aide de la touche de réglage rapide de gauche.
4. Utiliser la touche de réglage rapide de droite pour faire défiler les options jusqu'à la recette que l'on souhaite effacer.
5. Sélectionner la recette souhaitée pour l'effacer à l'aide de la touche de réglage rapide de droite.
6. Le module de commande du four demande confirmation de la suppression de cette recette. Sélectionner OUI ou NON.
7. Appuyer sur FAVORITES pour sortir du menu Favorites.
Pour sortir du menu Favorites à tout moment, appuyer sur FAVORITES.

ENTRETIEN DE LA CUISINIÈRE

Programme d'autonettoyage (sur certains modèles)

AVERTISSEMENT



Risque de brûlures

Ne pas toucher le four au cours du programme d'autonettoyage.

Garder les enfants loin du four au cours du programme d'autonettoyage.

Le non-respect de ces instructions peut causer des brûlures.

IMPORTANT : La santé de certains oiseaux est très sensible aux émanations qui surviennent durant le programme d'autonettoyage. L'exposition aux émanations peut entraîner la mort de certains oiseaux. Toujours déplacer les oiseaux dans une autre pièce fermée et bien aérée.

Procéder à l'autonettoyage du four avant qu'il ne devienne très sale. Les saletés intenses nécessitent un nettoyage plus long et dégagent plus de fumée.

Veiller à ce que la cuisine soit bien aérée pendant le programme d'autonettoyage afin d'aider à éliminer la chaleur, les odeurs et la fumée.

Ne pas obstruer le ou les événements du four durant le programme d'autonettoyage. L'air doit pouvoir circuler librement. Selon votre modèle, voir la section "Évent du four" ou "Événements du four".

Ne pas nettoyer, frotter, endommager ou déplacer le joint d'étanchéité de la porte du four. Le joint de la porte est essentiel pour une bonne étanchéité.

Préparation du four :

- Sortir du four la lèchefrite, la grille, les ustensiles de cuisson au four et, sur certains modèles, la sonde thermométrique.
- Sortir les grilles du four pour les garder brillantes et pour qu'elles glissent facilement. Voir la section "Nettoyage général" pour plus de renseignements.
- Enlever tout papier d'aluminium du four; celui-ci risquerait de brûler ou de fondre et d'endommager le four.
- Nettoyer manuellement le bord intérieur de la porte et une zone de 1½" (3,8 cm) sur le pourtour du cadre de la cavité du four, en prenant soin de ne pas déplacer ni plier le joint d'étanchéité. Cette section ne devient pas assez chaude au cours du programme d'autonettoyage pour pouvoir éliminer la saleté. Ne pas laisser de l'eau, un nettoyant, etc. pénétrer dans les fentes du cadre de la porte. Nettoyer cette zone avec un chiffon humide.
- Essuyer toute saleté décollée afin de réduire la fumée et d'éviter les dommages. À des températures élevées, les aliments réagissent avec la porcelaine. Cette réaction peut causer des taches, des attaques, des piqûres ou de légères taches blanches. Ceci n'affectera pas la performance de cuisson.

Préparation de la table de cuisson :

- Enlever les articles de plastique de la table de cuisson car ils peuvent fondre.

Comment fonctionne le programme

IMPORTANT : Le chauffage et le refroidissement de la porcelaine sur l'acier dans le four peuvent causer une décoloration, une perte de lustre, des fissures minuscules et des craquements.

Le programme d'autonettoyage utilise des températures très élevées, brûlant les saletés pour les réduire en cendre.

Lorsque le four a complètement refroidi, retirer la cendre avec un chiffon humide. Pour éviter de casser le verre, ne pas appliquer de chiffon froid humide sur le hublot de la porte interne avant qu'il n'ait complètement refroidi.

Autonettoyage :

Avant l'autonettoyage, vérifier que la porte est complètement fermée. Si la porte n'est pas bien fermée, "FERMER PORTE" s'affiche tant que la porte est ouverte.

1. Appuyer sur CLEAN (nettoyage).
2. "ENLEVER GRILLE" s'affiche. Retirer les grilles.
3. Sélectionner CONTINUER à l'aide des touches de réglage rapide. Les touches de réglage rapide sont situées de part et d'autre de l'afficheur du tableau de commande.
4. Régler au niveau de saleté LÉGER en entrant "200" à l'aide des touches numériques pour une durée de nettoyage de 2 heures.

OU

Sélectionner MOYEN pour un four modérément sale et 3 heures de nettoyage.

OU

Sélectionner INTENSE pour un four très sale et 4 heures de nettoyage.

"NETTOYAGE", "TIME" (durée), "LOCKED" (verrouillé) et le compte à rebours de la durée de nettoyage s'affichent pendant le nettoyage du four.

REFROIDISS s'affiche lorsque le nettoyage est terminé et que le four est encore verrouillé.

La porte se déverrouille environ une heure après la fin du nettoyage. "REFROIDISS" disparaît de l'afficheur lorsque la porte du four est déverrouillée.

Pour différer l'autonettoyage :

1. Appuyer sur CLEAN (nettoyage).
2. "ENLEVER GRILLE" s'affiche. Retirer les grilles.
3. Sélectionner CONTINUER à l'aide de la touche de réglage rapide.
4. Régler au niveau de saleté LÉGER en entrant "200" à l'aide des touches numériques pour une durée de nettoyage de 2 heures.

OU

Sélectionner MOYEN pour un four modérément sale et 3 heures de nettoyage.

OU

Sélectionner INTENSE pour un four très sale et 4 heures de nettoyage.

La porte se verrouille. "NETTOYAGE", "TIME" (durée), "LOCKED" (verrouillé) et le compte à rebours de la durée de nettoyage s'affichent.

5. Une fois la porte verrouillée, appuyer sur MORE OPTIONS (plus d'options).
6. Sélectionner DEMARR DIFFERE à l'aide de la touche de réglage rapide.
7. Sélectionner le nombre d'heures dont on souhaite différer la mise en marche du programme d'autonettoyage.
L'heure de mise en marche différée et la durée de nettoyage s'affichent.

Nettoyage général

IMPORTANT : Avant le nettoyage, s'assurer que toutes les commandes sont éteintes et que le four et la table de cuisson sont froids. Toujours suivre les instructions figurant sur les étiquettes des produits de nettoyage.

Du savon, de l'eau et un chiffon doux ou une éponge sont recommandés à moins d'indication contraire.

SURFACES EXTERNES EN ÉMAIL VITRIFIÉ (sur certains modèles)

Les renversements d'aliments contenant des produits acides, tels que vinaigre et tomates, doivent être nettoyés dès que la cuisinière a refroidi. Ces renversements peuvent affecter le fini.

Méthode de nettoyage :

- Nettoyant à vitre, nettoyant doux liquide ou tampon à récurer non abrasif :
Nettoyer doucement autour de la plaque signalétique des numéros de modèle et de série car le frottement pourrait effacer les chiffres.
- Nettoyant tout-usage pour appareils ménagers – Pièce n° 31682 (non fournie) :
Voir la section "Assistance ou service" pour commander.

ACIER INOXYDABLE (sur certains modèles)

Afin d'éviter d'endommager les surfaces en acier inoxydable, ne pas utiliser de tampons à récurer savonneux, de nettoyants abrasifs, de crème à polir pour table de cuisson, de tampons en laine d'acier, de chiffons de lavage rêches ou d'essuie-tout abrasifs.

Méthode de nettoyage :

Frotter dans la direction du grain pour éviter les dommages.

- Nettoyant et poli pour acier inoxydable – Pièce n° 31462 (non fournie) :
Voir la section "Assistance ou service" pour commander.
- Détergent liquide ou nettoyant tout-usage :
Rincer à l'eau propre et sécher avec un chiffon doux sans charpie.

COMMANDES DE LA TABLE DE CUISSON

Afin d'éviter d'endommager les commandes de la table de cuisson, ne pas utiliser de laine d'acier, de nettoyants abrasifs ou de nettoyant pour four.

Afin d'éviter tout dommage, ne pas immerger les boutons de commande.

Lors de la réinstallation des boutons, s'assurer que chaque bouton est à la position Off (arrêt).

Ne pas retirer les joints sous les boutons.

Méthode de nettoyage :

- Eau tiède savonneuse :
Tirer les boutons directement hors du tableau de commande pour les enlever.

TABLEAU DE COMMANDE

Afin d'éviter d'endommager le tableau de commande, ne pas utiliser de nettoyeurs abrasifs, de tampons en laine d'acier, de chiffons de lavage rêches ou d'essuie-tout abrasifs.

Méthode de nettoyage :

- Nettoyant à vitre et chiffon doux ou éponge :
Appliquer le nettoyant à vitre sur un chiffon doux ou une éponge, et non pas directement sur le tableau.
- Nettoyant tout-usage pour appareils ménagers – Pièce n° 31682 (non fournie) :
Voir la section "Assistance ou service" pour commander.

GRILLES ET CHAPEAUX ÉMAILLÉS

Les renversements d'aliments contenant des produits acides, tels que vinaigre et tomates, doivent être nettoyés dès que la table de cuisson, les grilles et les chapeaux ont refroidi. Ces renversements peuvent affecter le fini.

Pour éviter l'écaillage, ne pas entrechoquer les grilles et les chapeaux ni les frapper contre des surfaces dures telles que les ustensiles en fonte.

Ne pas réinstaller les chapeaux sur les brûleurs lorsqu'ils sont mouillés.

Afin d'éviter d'endommager les grilles et les chapeaux, ne pas les nettoyer avec le programme d'autonettoyage.

Méthode de nettoyage :

- Ustensile de récurage en plastique non abrasif et nettoyant légèrement abrasif :
Nettoyer dès que la table de cuisson, les grilles et les chapeaux ont refroidi.
- Lave-vaisselle (grilles seulement, pas les chapeaux) :
Utiliser le programme le plus intensif. Les saletés cuites doivent être trempées ou frottées avant d'être placées au lave-vaisselle.
- Nettoyant pour grille et plateau d'égouttement pour installation à gaz – Pièce n° 31617 :
Voir la section "Assistance ou service" pour commander.

BRÛLEURS DE SURFACE

Voir la section "Brûleurs de surface scellés".

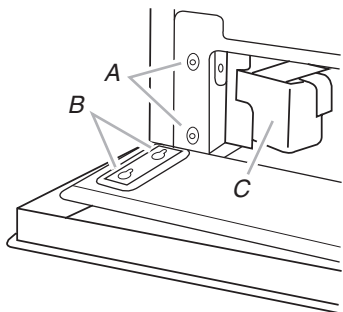
EXTÉRIEUR DE LA PORTE DU FOUR

Méthode de nettoyage :

- Nettoyant à vitre et chiffon doux ou éponge :
Appliquer le nettoyant à vitre sur un chiffon doux ou une éponge, et non pas directement sur le tableau.
- Nettoyant tout-usage pour appareils ménagers – Pièce n° 31682 (non incluse) :
Voir la section "Assistance ou service" pour commander.

PANNEAU D'ACCÈS

Le panneau d'accès peut être facilement retiré. Pour ouvrir le panneau, saisir les côtés et le soulever pour l'extraire. Pour fermer le panneau, aligner les encoches d'accroche sur les goujons de la cuisinière. Pousser le panneau d'accès vers l'avant jusqu'à sur les goujons et laisser retomber pour l'engager dessus.



A. Goujons
B. Encoches d'accroche
C. Coupelle à graisse

Méthode de nettoyage :

- Eau tiède savonneuse.
- Nettoyant à vitre, nettoyant doux liquide ou tampon à récurer non abrasif.
- Ne pas utiliser de quantité d'eau excessive.

IMPORTANT : Pour éviter le risque de déconnecter accidentellement toute pièce du système de ventilation, ne pas utiliser la zone située derrière le panneau d'accès comme zone de remisage.

ÉLÉMENT DE CUISSON AU GRIL OU BRÛLEUR DE CUISSON AU GRIL

Ne pas tremper dans l'eau. La plupart des saletés brûleront durant leur utilisation.

Méthode de nettoyage :

- Eau tiède savonneuse :
Essuyer le boîtier de connexion.
- Ne pas utiliser de nettoyants abrasifs.
- Sécher parfaitement avant d'insérer la partie arrière dans la table de cuisson.

GRILLES DU GRIL

Méthode de nettoyage :

- Eau tiède savonneuse :
Laver dans l'évier ou au lave-vaisselle. Ne pas tremper dans l'eau. Si l'on choisit de laver les grilles au lave-vaisselle, il faudra les reconditionner après le lavage. Voir la section "Installation du gril".
- Tampon à récurer en filet plastifié de forme ronde ou classique :
Frotter les grilles pour enlever les taches tenaces. Utiliser uniquement des produits sans danger pour les surfaces anti-adhésives. Afin d'éviter d'érafler ou d'enlever le revêtement du produit, ne pas utiliser de brosses métalliques ou de tampons à récurer abrasifs conçus pour nettoyer les grils à charbon d'extérieur.
- Ne pas nettoyer au mode autonettoyage du four ni utiliser de nettoyants sur les grilles.

COUPELLE À GRAISSE

La coupelle à graisse se trouve du côté gauche, derrière le panneau d'accès du fond, sous la cuisinière. Elle sert à recueillir la graisse et autres liquides générés par la cuisson au gril ou l'utilisation de certains des accessoires. La coupelle à graisse doit être inspectée après chaque grillade et nettoyée si elle contient de la graisse.

Méthode de nettoyage :

- Retirer la coupelle à graisse et jeter l'huile :
Saisir l'anse pour retirer la coupelle de l'attache la maintenant en place. Jeter la graisse se trouvant dans la coupelle à graisse.
- Eau tiède savonneuse :
La coupelle à graisse doit être lavée dans l'évier ou au lave-vaisselle.
- Replacer la coupelle à graisse dans l'attache et fermer la porte d'accès.

CAVITÉ DU FOUR

Ne pas utiliser de nettoyants à four.

Les renversements alimentaires doivent être nettoyés lorsque le four a refroidi. À des températures élevées, les aliments réagissent avec la porcelaine et cette réaction peut entraîner la formation de taches, d'un film de silice, de piqûres ou de légères taches blanches.

Méthode de nettoyage :

- Programme d'autonettoyage :
Voir d'abord "Programme d'autonettoyage".

GRILLES DU FOUR

Méthode de nettoyage :

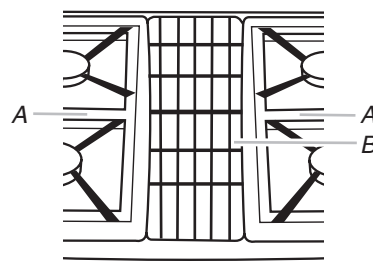
- Programme d'autonettoyage :
Voir d'abord "Programme d'autonettoyage". Sortir les grilles sinon elles se décoloreront et glisseront plus difficilement. Le cas échéant, une légère couche d'huile végétale appliquée sur les glissières facilitera le glissement des grilles.
- Tampon en laine d'acier

SYSTÈME DE VENTILATION À ASPIRATION PAR LE BAS

Grille de ventilation

Méthode de nettoyage :

- Soulever les grilles de gauche et de droite de la table de cuisson pour les retirer.
- Soulever la grille de ventilation de la table de cuisson.



A. Grilles
B. Grille de ventilation

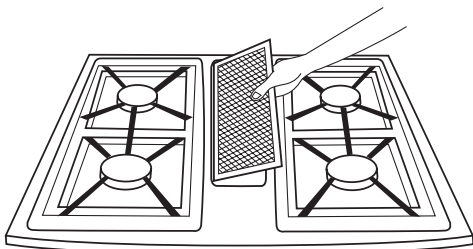
- Essuyer ou laver dans un évier :
Ustensile de récurage en plastique non abrasif et nettoyant légèrement abrasif
- Lave-vaisselle :
Utiliser un détergent doux.

Filter

Le filtre correspond à un filtre permanent et doit être nettoyé lorsqu'il est sale.

Méthode de nettoyage :

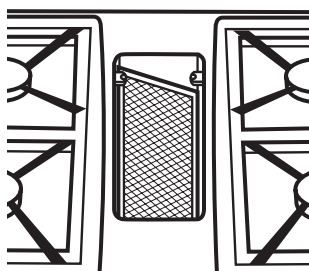
- Éteindre le système de ventilation à aspiration par le bas avant de retirer le filtre.
- Retirer la grille de ventilation et dégager ensuite le filtre de la chambre d'évacuation.



- Nettoyer le filtre à l'eau tiède et au détergent dans l'évier ou dans le lave-vaisselle.
- Réinstaller le filtre.

Le filtre doit toujours être placé en angle. Lorsque l'on se place face à la cuisinière, le sommet du filtre doit reposer contre le côté gauche de l'ouverture d'aération. Le fond du filtre doit reposer contre le côté droit de la chambre d'évacuation, au fond de celle-ci.

Si le filtre est à plat contre la paroi du ventilateur, l'efficacité du système de ventilation sera réduite.



Chambre d'évacuation

La chambre d'évacuation dans laquelle est logé le filtre doit être nettoyée régulièrement en cas de renversement ou si elle est recouverte d'une pellicule grasseuse.

Méthode de nettoyage :

- Détergent ou nettoyant doux pour usage domestique et essuie-tout, chiffon ou éponge humide :

Appliquer le détergent ou nettoyant sur l'essuie-tout, le chiffon ou l'éponge humide et non pas directement sur la chambre d'évacuation.

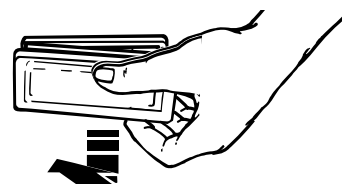
Lampes du four

Le four utilise une ampoule à halogène de 120 volts, 20 watts maximum. Voir la section "Assistance ou service" pour passer commande. Demander la pièce numéro 74004458.

Remplacement de la lampe du four :

Avant de procéder au remplacement, s'assurer que le four est éteint et froid.

1. Débrancher la cuisinière ou déconnecter la source de courant électrique.
2. Saisir du bout des doigts le bord du couvercle de l'ampoule. Tirer pour le retirer.



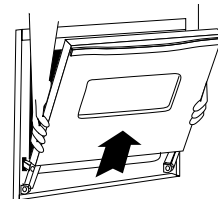
3. Ôter l'ampoule de la douille en la sortant tout droit de la base en céramique.
4. Remplacer l'ampoule en utilisant un chiffon ou en portant des gants de coton pour la manipulation. Pour éviter d'endommager la nouvelle ampoule ou d'en réduire la durée d'utilisation, ne pas toucher l'ampoule avec les doigts nus.
5. Réinstaller le couvercle de l'ampoule en l'emboîtant.
6. Brancher la cuisinière ou reconnecter la source de courant électrique.

Porte du four

Il n'est pas recommandé d'enlever la porte du four pour une utilisation normale. Toutefois, si la dépose est nécessaire, s'assurer que le four est éteint et froid. Ensuite, suivre les instructions qui suivent. La porte du four est lourde.

Dépose :

1. Ouvrir la porte du four jusqu'à la première butée (ouverture d'environ 4" [10,0 cm]).
2. Saisir la porte de chaque côté. Ne pas utiliser la poignée de porte pour soulever la porte.
3. Soulever la porte uniformément jusqu'à ce qu'elle se dégage des bras d'articulation.



Réinstallation :

1. Saisir la porte de chaque côté.
2. Aligner les fentes de la porte avec les bras d'articulation sur la cuisinière.
3. Faire glisser la porte vers le bas sur les bras d'articulation jusqu'à ce que la porte repose complètement sur les charnières. Pousser sur les coins supérieurs de la porte pour faire reposer complètement la porte sur les charnières. La porte ne doit pas sembler décentrée.

DÉPANNAGE

Essayer les solutions suggérées ici d'abord afin d'éviter le coût d'une visite de service non nécessaire.

Rien ne fonctionne

AVERTISSEMENT



Risque de choc électrique

Brancher sur une prise à 3 alvéoles reliée à la terre.

Ne pas enlever la broche de liaison à la terre.

Ne pas utiliser un adaptateur.

Ne pas utiliser un câble de rallonge.

Le non-respect de ces instructions peut causer un décès, un incendie ou un choc électrique.

- **Un fusible est-il grillé ou un disjoncteur s'est-il ouvert?**
Remplacer le fusible ou réenclencher le disjoncteur. Si le problème persiste, appeler un électricien.
- **Le robinet principal d'arrêt ou de réglage du gaz est-il à la position fermée?**
Voir les Instructions d'installation.
- **La cuisinière est-elle bien raccordée à la canalisation de gaz?**
Contacter un technicien de réparation qualifié ou voir les Instructions d'installation.

Les brûleurs de surface ne fonctionnent pas

- **Est-ce la première fois que les brûleurs de surface sont utilisés?**
Allumer n'importe quel brûleur de surface pour libérer l'air des canalisations de gaz.
- **Le bouton de commande est-il réglé correctement?**
Pousser sur le bouton avant de le tourner à un réglage.
- **Les orifices des brûleurs sont-ils obstrués?**
Voir la section "Brûleurs de surface scellés".

Les flammes des brûleurs de surface ne sont pas uniformes, sont de teinte jaune et/ou bruyantes

- **Les orifices des brûleurs sont-ils obstrués?**
Voir la section "Brûleurs de surface scellés".
- **Les chapeaux de brûleur sont-ils à la position appropriée?**
Voir la section "Brûleurs de surface scellés".
- **Utilise-t-on du gaz propane?**
La cuisinière a peut-être été mal convertie. Contacter un technicien de service ou voir la section "Assistance ou service".

Le brûleur de surface émet des bruits d'éclatement

- **Le brûleur est-il mouillé?**
Le laisser sécher.

Chaleur excessive autour des ustensiles de cuisson sur la table de cuisson

- **L'ustensile de cuisson est-il de dimension appropriée?**
Utiliser un ustensile de cuisson à peu près de la même dimension que la zone de cuisson, l'élément ou le brûleur de surface. L'ustensile de cuisson ne doit pas dépasser de plus de 1/2" (1,3 cm) hors de la zone de cuisson.

Les résultats de cuisson sur la table de cuisson ne sont pas les résultats prévus

- **Utilise-t-on un ustensile de cuisson approprié?**
Voir la section "Ustensiles de cuisson".
- **Le bouton de commande est-il réglé au niveau approprié de chaleur?**
Voir la section "Commandes de la table de cuisson".
- **La cuisinière est-elle d'aplomb?**
Niveler la cuisinière. Voir les Instructions d'installation.

Le four ne fonctionne pas

- **Le module de la commande électronique du four est-il correctement réglé?** Voir la section "Commande électronique du four".
- **Une mise en marche différée a-t-elle été réglée?** Voir la section "Plus d'options".
- **Sur certains modèles, le verrouillage des commandes est-il réglé?** Voir la section "Verrouillage du module de commande du four et de la porte du four".
- **Sur certains modèles, le mode Sabbath est-il réglé?** Voir la section "Mode Sabbath" dans la section "Réglage".

La température du four est trop élevée ou trop basse

- **Le calibrage de la température du four a-t-il besoin d'être ajusté?**

Voir "Ajustement de la température" dans la section "Réglage".

Des messages s'affichent

- **L'afficheur indique-t-il "DEFAUT DETECTE?"** Une défaillance a été détectée. Suivre les instructions affichées "APPUYER ENTER POUR REESSAYER" ou "DISABLE POWER TO CLEAR" (couper l'alimentation pour effacer). Si la mention d'une défaillance reste affichée, réapparaît, ou si "CARACTERISTIQUE NON DISPONIBLE" s'affiche, appeler pour obtenir de l'aide ou une réparation.

- **Est-ce que "SAb" clignote?**

Le four est en mode Sabbat. Pour annuler, appuyer sur la touche SETUP pendant 5 secondes.

Le programme d'autonettoyage ne fonctionne pas

- **La porte du four est-elle ouverte?** Fermer la porte du four complètement.
- **La fonction a-t-elle été entrée?** Voir la section "Programme d'autonettoyage".
- **Sur certains modèles, un programme d'autonettoyage à mise en marche différée a-t-il été réglé?** Voir la section "Programme d'autonettoyage".
- **Une mise en marche différée a-t-elle été réglée?** Voir la section "Plus d'options".
- **La commande est-elle en mode Sabbat?** Voir la section "Mode Sabbat" dans la section "Réglage".
- **La température du four est-elle supérieure à 400°F (205°C)?**
Laisser le four refroidir avant d'utiliser le programme d'autonettoyage.

Les résultats de cuisson au four ne sont pas les résultats prévus

- **La cuisinière est-elle d'aplomb?** Nivelier la cuisinière. Voir les Instructions d'installation.
- **La température correcte est-elle réglée?** Contre-vérifier la recette dans un livre de recettes fiable.
- **Le calibrage de la température du four est-il réglé correctement?** Voir "Ajustement de la température" dans la section "Réglage".

- **Le four a-t-il été préchauffé?** Voir les sections "Cuisson au four", "Cuisson au gril", ou "Cuisson au four par convection".
- **Utilise-t-on un ustensile de cuisson au four approprié?** Voir la section "Ustensiles de cuisson au four".
- **L'évent du four est-il obstrué?** Voir la section "Évent du four".
- **Les grilles sont-elles installées correctement?** Voir la section "Positionnement des grilles et ustensiles de cuisson".
- **Existe-t-il une circulation d'air appropriée autour des ustensiles de cuisson?** Voir la section "Positionnement des grilles et ustensiles de cuisson".
- **La pâte est-elle distribuée uniformément dans le plat?** Vérifier que la pâte est répartie uniformément dans le plat.
- **Utilise-t-on une durée de cuisson appropriée?** Ajuster la durée de cuisson.
- **La porte a-t-elle été ouverte pendant la cuisson?** L'ouverture de la porte pour vérifier la cuisson laisse la chaleur du four s'échapper et peut nécessiter des durées de cuisson plus longues.
- **Les articles cuits au four sont-ils trop bruns à la base?** Déplacer la grille à une position plus élevée dans le four.
- **Les bords des croûtes de tarte ont-ils bruni trop tôt?** Utiliser du papier d'aluminium pour couvrir le bord de la croûte et/ou réduire la température de cuisson au four.

Les résultats de cuisson au gril ne sont pas les résultats prévus

- **Y a-t-il un excès de fumée?** Il se peut que les aliments se trouvent trop près de l'élément de cuisson au gril ou qu'ils comportent beaucoup de matière grasse. Placer la grille à un niveau inférieur.
- **La porte du four est-elle fermée?** Fermer la porte jusqu'à la position d'arrêt pour la cuisson au gril.
- **L'élément du gril a-t-il été préchauffé?** Laisser l'élément de cuisson au gril préchauffer pendant 5 minutes.

Le système d'évacuation ne retient pas efficacement la fumée

- **La pièce est-elle convenablement aérée? Dispose-t-on d'un système de renouvellement d'air d'appoint?** Voir les instructions d'installation.
- **La bouche de décharge murale est-elle fermée ou obstruée?**
- **Le filtre de cuisinière et le filtre à air ont-ils été correctement installés?** Voir les instructions d'installation.

ASSISTANCE OU SERVICE

Avant de faire un appel pour assistance ou service, veuillez vérifier la section "Dépannage". Cette vérification peut vous faire économiser le coût d'une visite de service. Si vous avez encore besoin d'aide, suivez les instructions ci-dessous.

Lors d'un appel, veuillez connaître la date d'achat et les numéros de modèle et de série complets de votre appareil. Ces renseignements nous aideront à mieux répondre à votre demande.

Si vous avez besoin de pièces de rechange

Si vous avez besoin de commander des pièces de rechange, nous vous recommandons d'utiliser seulement des pièces spécifiées par l'usine. Les pièces de rechange spécifiées par l'usine conviendront et fonctionneront bien parce qu'elles sont fabriquées selon la même précision que celle utilisée pour fabriquer chaque nouvel appareil JENN-AIR®.

Pour savoir où trouver des pièces spécifiées par l'usine dans votre région, nous appeler ou contacter le centre de service désigné JENN-AIR® le plus proche.

Aux États-Unis

Si le problème n'est pas attribuable à l'une des raisons indiquées dans la section "Dépannage"...

Téléphonez au marchand qui vous a vendu l'appareil ou téléphonez à Jenn-Air au **1-800-JENNAIR (1-800-536-6247)** pour localiser une compagnie de service autorisée. Lors d'un appel, veuillez connaître la date d'achat et les numéros de modèle et de série complets de votre appareil. Assurez-vous de conserver la preuve d'achat pour vérifier les conditions de la garantie.

Si le marchand ou la compagnie de service ne peut pas résoudre votre problème, écrivez à :

Jenn-Air Brand Home Appliances
Customer eXperience Center
553 Benson Road
Benton Harbor, MI 49022-2692

Adresse Internet : www.jennair.com

ou composez le : **1-800-JENNAIR (1-800-536-6247)**.

Si vous êtes des clients aux É.-U. utilisant l'ATS pour les personnes sourdes, malentendantes ou souffrant de troubles de l'élocution, composez le : **1-800-688-2080**.

REMARQUE : Pour toute correspondance ou appel au sujet d'un problème de service, veuillez inclure les renseignements suivants :

1. Vos nom, adresse et numéro de téléphone durant la journée.
2. Numéros de modèle et de série de l'appareil.
3. Nom et adresse de votre marchand ou du service d'entretien.
4. Une description claire du problème existant.
5. Preuve d'achat (reçu de vente).

Les guides de l'utilisateur, manuels d'entretien et informations sur les pièces sont disponibles auprès du centre pour l'eXpérience de la clientèle des appareils électroménagers de la marque Jenn-Air.

Accessoires

Pour les accessoires, consulter notre site Web www.jennair.com/cookingaccessories.

Nettoyant et poli pour acier inoxydable

(modèles en acier inoxydable)

Commander la pièce n° 31462B

Nettoyant tout-usage pour appareils ménagers

Commander la pièce n° 31682B

Nettoyant pour la grille et Nettoyant pour la grille et plateau d'égouttement

Commander la pièce n° 31617B.

Wok

Commander la pièce n° AO142

Grille de séchage

Commander la référence DRYINGRACK

Cale d'espacement magnétique de porte

Commander la pièce n° 8010P146-60

Lêchefrite et grille de rôtissage de qualité supérieure

Commander la pièce W10123240

www.jennair.com/broilerpan

Au Canada

Si le problème n'est pas attribuable à l'une des raisons indiquées dans la section "Dépannage"...

Téléphonez au marchand qui vous a vendu l'appareil ou téléphonez à Jenn-Air en composant le **1-800-807-6777** pour localiser une compagnie de service autorisée. Lors d'un appel, veuillez connaître la date d'achat et les numéros de modèle et de série complets de votre appareil. Assurez-vous de conserver la preuve d'achat pour vérifier les conditions de la garantie.

Si le marchand ou la compagnie de service ne peut pas résoudre votre problème, écrivez à :

Jenn-Air Brand Home Appliances
Centre pour l'eXpérience avec la clientèle
200 - 6750 Century Ave.
Mississauga, ON L5N 0B7

Adresse Internet : www.jennair.ca

ou composez le **1-800-807-6777**.

REMARQUE : Pour toute correspondance ou appel au sujet d'un problème de service, veuillez inclure les renseignements suivants :

1. Vos nom, adresse et numéro de téléphone durant la journée.
2. Numéros de modèle et de série de l'appareil.
3. Nom et adresse de votre marchand ou du service d'entretien.
4. Une description claire du problème existant.
5. Preuve d'achat (reçu de vente).

Les guides de l'utilisateur, manuels d'entretien et informations sur les pièces sont disponibles auprès du Centre pour l'eXpérience avec la clientèle des appareils électroménagers de la marque Jenn-Air.

GARANTIE DES APPAREILS DE CUISSON JENN-AIR®

GARANTIE LIMITÉE

Pendant un an à compter de la date d'achat, lorsque ce gros appareil ménager est utilisé et entretenu conformément aux instructions jointes à ou fournies avec le produit, Jenn-Air, marque de Whirlpool Corporation ou Whirlpool Canada LP (ci-après désignées "Jenn-Air") paiera pour les pièces spécifiées par l'usine et la main-d'œuvre pour corriger les vices de matériaux ou de fabrication. Le service doit être fourni par une compagnie de service désignée par Jenn-Air. Cette garantie limitée est valide uniquement aux États-Unis ou au Canada et s'applique exclusivement lorsque l'appareil est utilisé dans le pays où il a été acheté. À l'extérieur du Canada et des 50 États des États-Unis, cette garantie limitée ne s'applique pas. Une preuve de la date d'achat original est exigée pour obtenir un service dans le cadre de la présente garantie limitée.

GARANTIE LIMITÉE DE LA DEUXIÈME À LA CINQUIÈME ANNÉE INCLUSIVEMENT SUR CERTAINS COMPOSANTS

De la deuxième à la cinquième année inclusivement à compter de la date d'achat, lorsque cet appareil ménager est utilisé et entretenu conformément aux instructions jointes à ou fournies avec le produit, Jenn-Air paiera pour les pièces spécifiées par l'usine pour les composants suivants (si applicables au produit), en cas de vices de matériaux ou de fabrication :

- Élément électrique
- Clavier tactile et microprocesseur
- Table de cuisson en vitrocéramique : en cas de bris d'origine thermique
- Commandes électroniques
- Tube magnétron
- Brûleurs à gaz scellés

ARTICLES EXCLUS DE LA GARANTIE

La présente garantie limitée ne couvre pas :

1. Les visites de service pour rectifier l'installation du gros appareil ménager, montrer à l'utilisateur comment utiliser l'appareil, remplacer ou réparer des fusibles ou rectifier le câblage ou la plomberie du domicile.
 2. Les visites de service pour réparer ou remplacer les ampoules électriques de l'appareil, les filtres à air ou les filtres à eau. Les pièces consommables ne sont pas couvertes par la garantie.
 3. Les réparations lorsque le gros appareil ménager est utilisé à des fins autres que l'usage unifamilial normal ou lorsque les instructions d'installation et/ou les instructions de l'opérateur ou de l'utilisateur fournies ne sont pas respectées.
 4. Les dommages imputables à : accident, modification, usage impropre ou abusif, incendie, inondation, actes de Dieu, installation fautive ou installation non conforme aux codes d'électricité ou de plomberie, ou l'utilisation de pièces consommables ou de produits nettoyants non approuvés par Jenn-Air.
 5. Les défauts apparents, notamment les éraflures, les bosses, fissures ou tout autre dommage au fini du gros appareil ménager, à moins que ces dommages soient dus à des vices de matériaux ou de fabrication et soient signalés à Jenn-Air dans les 30 jours suivant la date d'achat.
 6. Toute perte d'aliments due à une défaillance du réfrigérateur ou du congélateur.
 7. Les coûts associés au transport du gros appareil ménager du domicile pour réparation. Ce gros appareil ménager est conçu pour être réparé à domicile et seul le service à domicile est couvert par la présente garantie.
 8. Les réparations aux pièces ou systèmes résultant d'une modification non autorisée faite à l'appareil.
 9. Les frais de transport pour le service d'un produit si votre gros appareil est situé dans une région éloignée où un service d'entretien Jenn-Air autorisé n'est pas disponible.
 10. La dépose et la réinstallation de votre gros appareil si celui-ci est installé dans un endroit inaccessible ou n'est pas installé conformément aux instructions d'installation fournies.
 11. Les gros appareils ménagers dont les numéros de série et de modèle originaux ont été enlevés, modifiés ou qui ne peuvent pas être facilement identifiés. La présente garantie est nulle si le numéro de série d'usine a été modifié ou enlevé du gros appareil ménager.
- Le coût d'une réparation ou d'un remplacement dans le cadre de ces circonstances exclues est à la charge du client.

CLAUDE D'EXONÉRATION DE RESPONSABILITÉ AU TITRE DES GARANTIES IMPLICITES; LIMITATION DES RECOURS

LE SEUL ET EXCLUSIF RECOURS DU CLIENT DANS LE CADRE DE LA PRÉSENTE GARANTIE LIMITÉE CONSISTE EN LA RÉPARATION PRÉVUE CI-DESSUS. LES GARANTIES IMPLICITES, Y COMPRIS LES GARANTIES APPLICABLES DE QUALITÉ MARCHANDE ET D'APTITUDE À UN USAGE PARTICULIER, SONT LIMITÉES À UN AN OU À LA PLUS COURTE PÉRIODE AUTORISÉE PAR LA LOI. JENN-AIR N'ASSUME AUCUNE RESPONSABILITÉ POUR LES DOMMAGES FORTUITS OU INDIRECTS. CERTAINES JURIDICTIONS NE PERMETTENT PAS L'EXCLUSION OU LA LIMITATION DES DOMMAGES FORTUITS OU INDIRECTS, OU LES LIMITATIONS DE LA DURÉE DES GARANTIES IMPLICITES DE QUALITÉ MARCHANDE OU D'APTITUDE À UN USAGE PARTICULIER, DE SORTE QUE CES EXCLUSIONS OU LIMITATIONS PEUVENT NE PAS S'APPLIQUER DANS VOTRE CAS. CETTE GARANTIE VOUS CONFÈRE DES DROITS JURIDIQUES SPÉCIFIQUES ET VOUS POUVEZ ÉGALEMENT JOUIR D'AUTRES DROITS QUI PEUVENT VARIER D'UNE JURIDICTION À UNE AUTRE.

Si vous résidez à l'extérieur du Canada et des 50 États des États-Unis, contactez votre marchand Jenn-Air autorisé pour déterminer si une autre garantie s'applique.

Si vous avez besoin de service, voir d'abord la section "Dépannage" du Guide d'utilisation et d'entretien. Après avoir vérifié la section "Dépannage", de l'aide supplémentaire peut être trouvée en vérifiant la section "Assistance ou service" ou en appelant Jenn-Air. Aux É.-U., composer le **1-800-536-6247**. Au Canada, composer le **1-800-807-6777**.

6/09

Conservez ce manuel et votre reçu de vente ensemble pour référence ultérieure. Pour le service sous garantie, vous devez présenter un document prouvant la date d'achat ou d'installation.

Inscrivez les renseignements suivants au sujet de votre gros appareil ménager pour mieux vous aider à obtenir assistance ou service en cas de besoin. Vous devrez connaître le numéro de modèle et le numéro de série au complet. Vous trouverez ces renseignements sur la plaque signalétique située sur le produit.

Nom du marchand _____

Adresse _____

Numéro de téléphone _____

Numéro de modèle _____

Numéro de série _____

Date d'achat _____

W10430923A

© 2011.
All rights reserved.
Tous droits réservés.

©Registered Trademark/™Trademark of Jenn-Air, U.S.A. Used under license by Maytag Limited in Canada.
®Marque déposée/™Marque de commerce de Jenn-Air, U.S.A. Emploi sous licence par Maytag Limited au Canada.

10/11
Printed in U.S.A.
Imprimé aux É.-U.

Free Manuals Download Website

<http://myh66.com>

<http://usermanuals.us>

<http://www.somanuals.com>

<http://www.4manuals.cc>

<http://www.manual-lib.com>

<http://www.404manual.com>

<http://www.luxmanual.com>

<http://aubethermostatmanual.com>

Golf course search by state

<http://golfingnear.com>

Email search by domain

<http://emailbydomain.com>

Auto manuals search

<http://auto.somanuals.com>

TV manuals search

<http://tv.somanuals.com>