

30"

Electric and Dual-Fuel™ Slide-In Range

**SVE47100, SVE47500,
SVE47600, SVE87600, SVD48600**

Dimensions

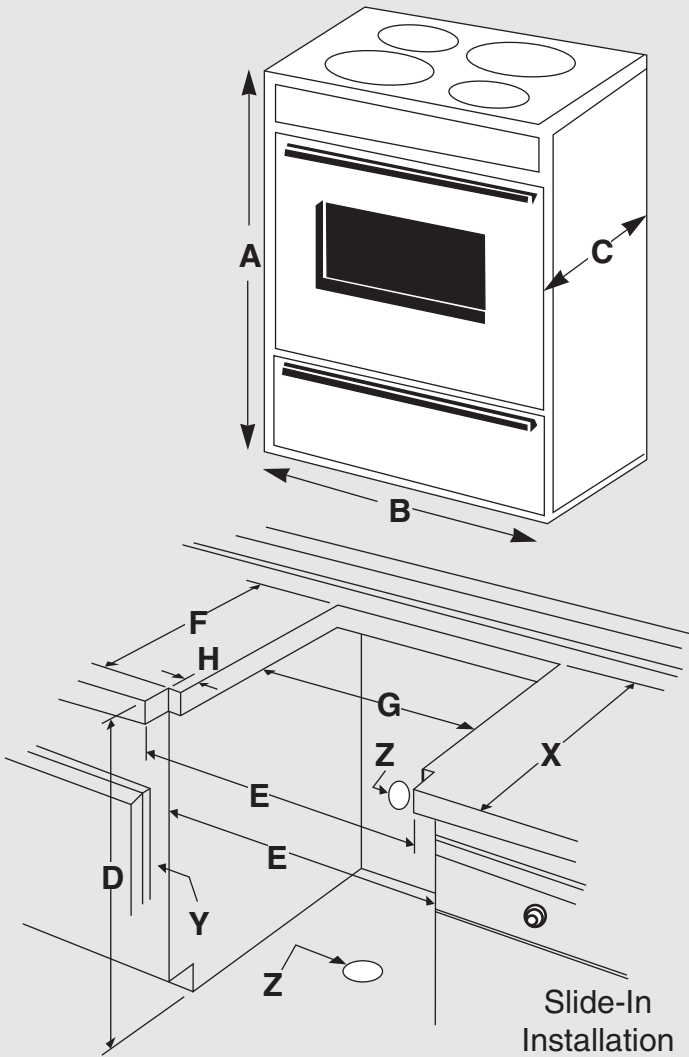
■	Inches	Centimeters
A ²	35 1/2	90.2
B	29 7/8	75.9
C ³	26 3/8	67.0
D	35 3/8 minimum	89.9 minimum
E	29 7/8	75.9
F	21	53.3
G	29 3/8	74.6
H	1/4	.6
I	30 1/8 ± 1/16	76.5

"Drop-In Look" Option:

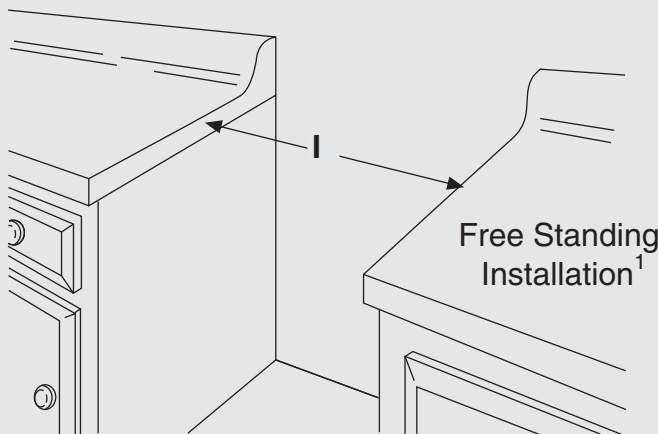
Order "Drop-In Look" Kit model A513. Attach custom wood panel to supplied metal panel and clip to range front (lower panel). Can be used with SVE47100, SVE47500, SVE47600, SVE87600, SVD48600.

Notes:

- Free-Standing installation requires optional backsplash. Unit does not overhang on counter. Side panels required if sides are exposed.
 - May vary depending on leveling legs.
 - Excluding handle. Dimension given is from wall to front of oven door.
- X. If overhang is 1/2" to 1", dimension X=22 5/8".
If overhang is 1" to 1 3/4", dimension X=23".
- Y. The minimum clearance required between cabinet and cabinet drawer edge is minimum 7/8".
- Z. Select appropriate duct cutout (see ducting installation instructions).



Slide-In Installation



Free Standing Installation¹

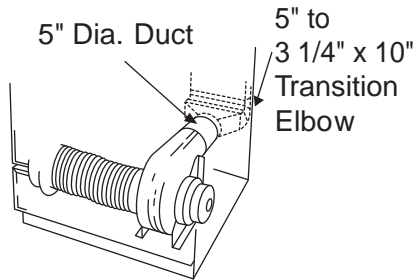
Important: Because of continuing product improvements, Jenn-Air reserves the right to change specifications without notice. Dimensional specifications are provided for planning purposes only. For complete details see installation instructions that accompany each product before selecting cabinetry, making cutouts or beginning installation.



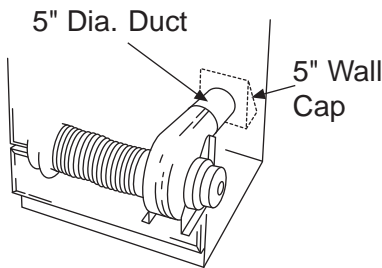
THE SIGN OF A GREAT COOK®

www.jennair.com

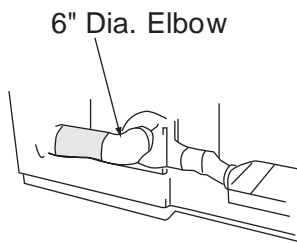
GRILL-RANGE DUCT ARRANGEMENTS



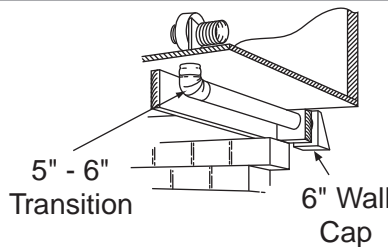
Rear Duct (Inside Wall)



Through the wall in back of the grill-range directly to the outside



Out from the right of the appliance through cabinet toe-kick space to an outside wall



Down through the floor^F, along the floor joists and through the foundation or an outside wall

Duct Length Recommendations^A (Maximum)^B

	5" Dia. ^C	6" Dia. or 3 1/4 x 10" ^C
All Electric ^D	10'	60'
All Gas ^E	10'	60'

The Long Duct Run
With Jenn-Air's powerful blower, Jenn-Air downdraft grill-ranges can vent up to the equivalent of 60 feet.

Here's how it works.
For duct runs equivalent to 30' or less, install as received. For duct runs equivalent to 31' to 60', simply snap out the restricter ring on the blower inlet housing. See installation instructions for specific information.

Notes:

- For venting up to the equivalent of 60', use standard steel ducting and elbows.
- IMPORTANT:** See installation instructions shipped with product before selecting island cabinetry, making cutouts or beginning installation. For best performance, it is suggested that no more than three 90 degree elbows be used with 6" or 3 1/4 x 10" duct. Each foot of metal flex duct counts as two feet of rigid metal duct. Each flex elbow counts as two metal elbows. For longer duct runs of 31' to 60', the restricter ring on the blower inlet housing must be removed. 6" round or 3 1/4 x 10" duct must be used for ducting beyond 10' (up to 60'). Failure to follow ducting recommendations or use recommended ducting accessories may result in substandard performance.
- Count each 90 degree elbow as 5' of duct.
- When venting electric ranges, 5" diameter round duct may be used to vent straight out the back of appliance and directly through the wall for runs of 10' or less.
- When venting dual-fuel ranges, 5" diameter round duct must be used for runs of 10' or less.
- When installing through a slab, it is essential that the system be properly calculated, designed and installed before the house is built, when the slab is poured.

Free Manuals Download Website

<http://myh66.com>

<http://usermanuals.us>

<http://www.somanuals.com>

<http://www.4manuals.cc>

<http://www.manual-lib.com>

<http://www.404manual.com>

<http://www.luxmanual.com>

<http://aubethermostatmanual.com>

Golf course search by state

<http://golfingnear.com>

Email search by domain

<http://emailbydomain.com>

Auto manuals search

<http://auto.somanuals.com>

TV manuals search

<http://tv.somanuals.com>