

Clock Radio Music System

with Built-in Universal Dock for iPod

User manual



CR1

iSymphony™
Bringing Audio Back to LIVE™

CONTENTS

CAUTION	3
IMPORTANT NOTES	4
PREPARATION FOR USE	5
LOCATION OF CONTROLS AND INDICATORS	9
BASIC OPERATION	
Volume Controls	11
Function Selection	11
iPod OPERATION	
Dock Adapters	12
Dock Adapters Compatibility	13
Listening to your iPod	14
AUXILIARY INPUT	
Listening to a non-docking iPod or other portable music player	15
RADIO OPERATION	16
ALARM CLOCK FUNCTIONS	17
WARRANTY	18
TROUBLESHOOTING GUIDE	20
TECHNICAL SPECIFICATION	21

Thank you for purchasing the iSymphony CR1 Clock Radio Music System with Universal Dock for iPod.

This compact portable system features 4 watts of output power for rich, clear sound. You can dock your iPod and play all your music without using headphones, and charge your iPod at the same time, and we have included dock adapters to accommodate all docking iPods including the nano. The alarm clock with snooze allows you to wake to your favorite radio or electronic buzzer, and the auxiliary input allows you to connect any other audio source such as another MP3 player. This unit can also operate from battery power, so it's perfect for outdoor, picnics, taking to the beach or relaxing by the pool.

Please be sure to read this manual carefully and completely to make sure you understand all of the exciting features and functions included in your new system. We have taken great care to make sure that this system was in perfect working order when it left our factory. If you experience any problem with the set-up or operation of this system please refer to the back of this manual for instructions on obtaining customer service. The serial number of your system is located on a label on the back panel. Please take a moment now to locate the serial number and to write it in the space provided below for future reference. You may be asked to provide this number if you call for customer service.

Serial Number: _____

Please also take a moment to register your product online at
www.mysymphony.com/register

CAUTION

TO PREVENT FIRE OR SHOCK HAZARD, DO NOT USE THIS PLUG WITH AN EXTENSION CORD, RECEPTACLE OR OTHER OUTLET UNLESS THE BLADE CAN BE FULLY INSERTED TO PREVENT BLADE EXPOSURE. TO PREVENT FIRE OR SHOCK HAZARD, DO NOT EXPOSE THIS APPLIANCE TO RAIN OR MOISTURE.



The lightning flash with arrow-head symbol, within an equilateral triangle is intended to alert the user to the presence of uninsulated 'dangerous voltage' within the product's enclosure that may be of sufficient magnitude to constitute a risk of electric shock to persons.

CAUTION

RISK OF ELECTRIC SHOCK
DO NOT OPEN

WARNING: TO REDUCE THE RISK OF ELECTRIC SHOCK DO NOT REMOVE COVER (OR BACK), NO USER SERVICEABLE PARTS INSIDE REFER SERVICING TO QUALIFIED SERVICE PERSONNEL.



The exclamation point within an equilateral triangle is intended to alert the user to the presence of important operating and maintenance (servicing) instructions in the literature accompanying the appliance.

IMPORTANT SAFETY INSTRUCTIONS

- 1.) Read these instructions. Keep these instructions. Follow all instructions. Heed all warnings.
- 2.) Do not use this apparatus near water.
- 3.) Clean only with dry cloth.
- 4.) Do not block any ventilation openings. Install in accordance with the manufacturer's instructions.
- 5.) Do not install near any heat sources such as radiators, heat registers, stoves, or other apparatus(including amplifiers) that produce heat.
- 6.) Do not defeat the safety purpose of the polarized or grounding-type plug. A polarized plug has two blades with one wider than the other. A grounding type plug has two blades and a third grounding prong. The wide blade or the third prong is provided for your safety. If the provided plug does not fit into your outlet, consult an electrician for replacement of the obsolete outlet.
- 7.) Protect the power cord from being walked on or pinched particularly at plugs, convenience receptacles, and the point where they exit from the apparatus.
- 8.) Only use attachments / accessories specified by the manufacturer.
- 9.) Unplug this apparatus during lightning storms or when unused for long periods of time.
- 10.) Refer all servicing to qualified service personnel. Servicing is required when the apparatus has been damaged in any way, such as power-supply cord or plug is damaged, liquid has been spilled or objects have fallen into the apparatus, the apparatus has been exposed to rain or moisture,does not operate normally, or has been dropped.
- 11.) This appliance shall not be exposed to dripping or splashing water and no object filled with liquids such as vases shall be placed on the apparatus.
- 12.) Use only with the cart, stand, tripod, bracket, or table specified by the manufacturer, or sold with the apparatus. When a cart is used, use caution when moving the cart/apparatus combination to avoid injury from tip-over.
- 13.) Do not overload wall outlet. Use only power source as indicated.
- 14.) Use replacement parts as specified by the manufacturer.
- 15.) The product may be mounted to a wall only if recommended by the manufacturer.
- 16.) Upon completion of any service or repairs to this product, ask the service technician to perform safety checks.



IMPORTANT NOTES

- Avoid installing this unit in places exposed to direct sunlight or close to heat radiating appliances such as electric heaters, on top of other stereo equipment that radiates too much heat, places lacking ventilation or dusty areas, places subject to constant vibration and/ or humid or moist areas.
- Operate controls and switches as described in the manual.
- Before turning 'On' the power, make certain that power cord is properly installed.
- When moving the set, be sure to first disconnect the power cord.

FCC INFORMATION

This equipment has been tested and found to comply with the limits for a Class B digital device, pursuant to Part 15 of the FCC Rules. These limits are designed to provide reasonable protection against harmful interference in a residential installation. This equipment generates, uses, and can radiate radio frequency energy and, if not installed and used in accordance with the instructions, may cause harmful interference to radio communications. However, there is no guarantee that interference will not occur in a particular installation. If this equipment does cause harmful interference to radio or television reception, which can be determined by turning the equipment off and on, the user is encouraged to try to correct the interference by one or more of the following measures:

- Reorient or relocate the receiving antenna.
- Increase the separation between the equipment and receiver.
- Connect the equipment into an outlet on a circuit different from that to which the receiver is connected.
- Consult the dealer or an experienced radio/TV technician for help.

This device complies with Part 15 of the FCC Rules. Operation is subject to the following two conditions:

- (1) This device may not cause harmful interference, and
- (2) This device must accept any interference received, including interference that may cause undesired operation.

Changes or modification not expressly approved by the party responsible for compliance could avoid the user's authority to operate the equipment.

PREPARATION FOR USE

Unpacking and Set Up

- Remove the main unit, the AC adapter, the accessory auxiliary device connection cord, and the three iPod adapters from the carton, and remove all packing material from the main unit. We recommend that you save the carton and packing material in the event that the unit ever needs to be returned for service. Using the original carton and packing material is the only way to protect your unit from damage during shipment.
- Remove any descriptive labels or stickers from the top or front panels of the unit but do not remove any labels or stickers from the back or bottom panels.
- Remove the “dummy iPod” display card from the docking area and discard it.

Power Sources

This system is designed to operate on 6 “C” batteries, not included, or on normal 110V AC house current with the included AC adapter. In addition, this unit requires 2 “AA” batteries for the clock and alarm memory back up. We recommend that you use a well-known brand of alkaline batteries for longest life and best performance. Attempting to operate this system from any other power source may cause damage to the system, and such damage is not covered by your warranty.

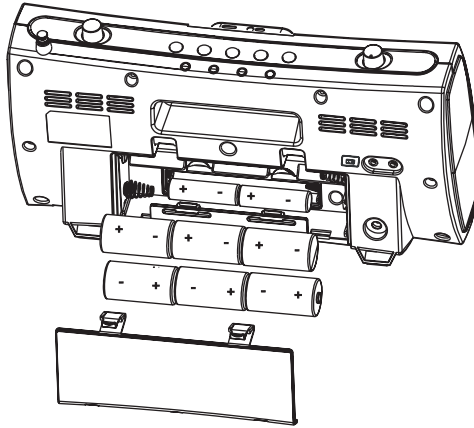
Battery Precautions

- Replacement of batteries must be done by an adult.
- Do not mix old and new batteries.
- Do not mix alkaline, standard (carbon-zinc) or rechargeable (nickel-cadmium or nickel-metal hydride) batteries.
- The supply terminals are not to be short-circuited.
- Non-rechargeable batteries are not to be recharged.
- Exhausted batteries are to be removed.
- Only batteries of the equivalent type are to be used.
- Batteries are to be inserted with the correct polarity.
- Dispose of batteries properly. Do not dispose of batteries in fire.

The batteries may explode or leak. Do not break batteries; open internal chemicals will cause skin burns. If you come into contact with the internal contents of a battery, immediately wash the skin in warm water.

Battery Installation

The battery compartments for the 6 “C” batteries and 2 “AA” batteries are located on the back panel. To open the battery compartment covers press the door locking tabs in the direction of the arrows. Remove the doors and insert the 6 “C” and 2 “AA” batteries in their respective compartments. Be sure the batteries are installed correctly according to the polarity markings in the battery compartments. If the batteries are installed incorrectly the unit will not work. After installing the batteries replace both battery compartment covers and make sure that they lock securely.

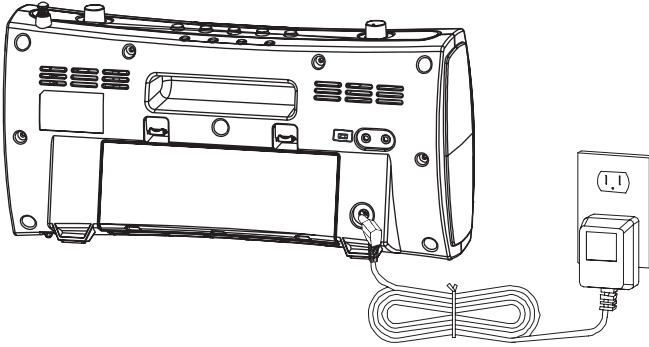


Battery Replacement

When the sound output becomes weak and distorted during battery operation it is probably time to change the 6 “C” batteries. Try operating the system with the AC adapter. If the sound is normal with the AC adapter this confirms that the batteries are weak and should be replaced as soon as possible. If exhausted batteries are left in the unit they may eventually leak and cause damage to the unit. When changing the 6 “C” batteries always change all 6 at the same time and do not mix different types of batteries such as alkaline, carbon-zinc, and nickel cadmium. The 2 “AA” batteries are only used for maintaining the clock and timer memory and therefore they will probably last longer than the 6 “C” batteries. Two fresh alkaline “AA” batteries should provide back up power for the clock and timer for a period of 12 months.

Connecting the AC Adapter

- Connect the small female plug of the AC adapter to the DC Input Jack on the back panel of the unit.
- Connect the AC adapter an available 110V AC outlet.



When the adapter is connected to the unit, the AC power source is selected automatically, even if there are batteries in the battery compartment.

NOTE:

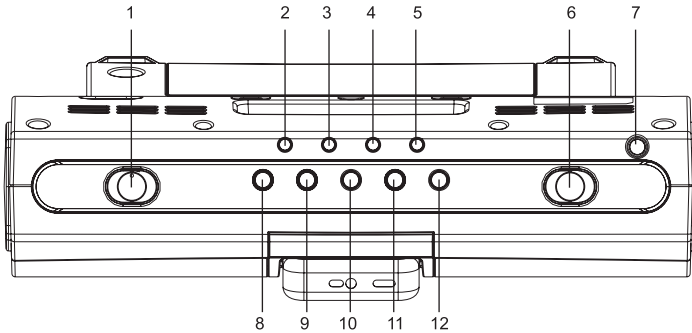
- In order to operate the unit on batteries, the AC adapter must be completely disconnected from the DC Input Jack on the back panel.
- The housing of the AC adapter may become warm during operation. This is normal.
- To reduce the risk of electric shock never connect or disconnect the AC adapter while your hands are wet.

Protect Your Furniture

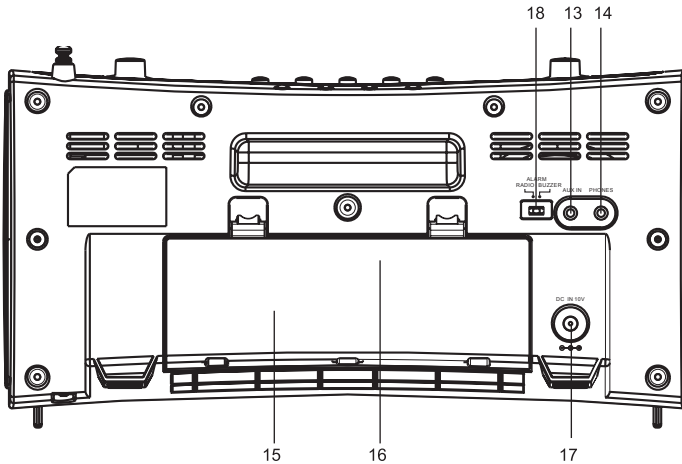
This model is equipped with non-skid rubber feet to prevent the product from moving when you operate the controls. These feet are made from non-migrating rubber material specially formulated to avoid leaving any marks or stains on your furniture. However certain types of oil based furniture polishes, wood preservatives, or cleaning sprays may cause the rubber feet to soften, and leave marks or a rubber residue on the furniture. To prevent any damage to your furniture we strongly recommend that you purchase small self-adhesive felt pads, available at hardware stores and home improvement centers everywhere, and apply these pads to the bottom of the rubber feet before you place the product on fine wooden furniture.

LOCATION OF CONTROLS AND INDICATORS

TOP



- | | |
|---------------------|--|
| 1. VOLUME Control | 8. POWER Mode Button (ON/OFF) |
| 2. HOUR Button | 9. FUNCTION Button (iPod or AUX / RADIO) |
| 3. MINUTE Button | 10. SNOOZE Button |
| 4. TIME SET Button | 11. ALARM Button(ON/OFF) |
| 5. ALARM SET Button | 12. FM / AM Button |
| 6. TUNING Control | |
| 7. FM Antenna | |



- | | |
|-------------------------|---|
| 13. AUX IN Jack | 16. Backup Battery Compartment (inside) |
| 14. PHONES Jack | 17. AC Adapter Jack. |
| 15. Battery Compartment | 18. Alarm switch (Radio/Buzzer) |

LOCATION OF CONTROLS AND INDICATORS

LCD DISPLAY



18. Function Indicator (iPod /AUX)
19. SNOOZE Indicator
20. Alarm Indicator
21. Power Indicator
22. FM/AM/PM Indicator
23. Time/Alarm Display
24. FM Stereo Indicator

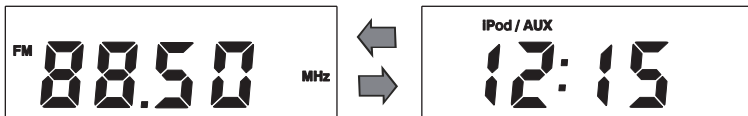
BASIC OPERATION

Volume Controls

To increase or decrease the system volume, turn the volume control to the right or left. The system remembers the volume level when the power is switched 'Off' and automatically returns to the same level when the power is switched 'On' again.

Function Selection

Pressing the FUNCTION button repeatedly changes between RADIO and iPod/ AUX operation as below:



iPod OPERATION

Dock Adapters

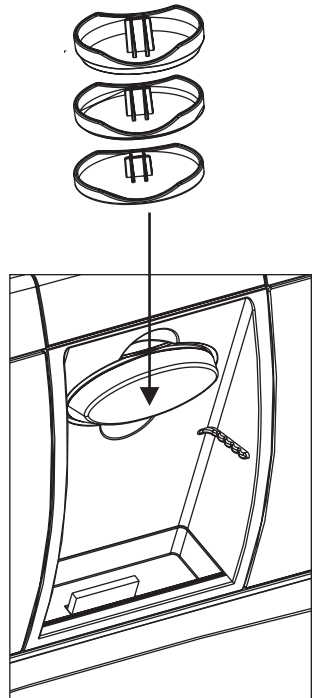
NOTE: When connecting an iPod to this system, please ensure that the correct adaptor plate is used. FAILURE TO DO SO MAY RESULT IN DAMAGE TO THE iPod.

This unit comes with 3 removable adapters to ensure the iPod fits properly in the dock on the front of the system.










1. Refer to the compatibility table below and select the correct adapter for the iPod. Using the correct adapter ensures the proper fit for your iPod and helps to reduce the stress on the connector.
2. Place the proper adapter into the rear wall of the docking station.
3. Gently press the insert into the dock until it is properly seated.
4. With the iPod in the Power 'Off' mode carefully place it into the adapter.

Note:

- Recharging the iPod is only possible when you are using the system with the included AC adapter..
 - Remove any accessory case or "skin" from the iPod before inserting it in the dock.
5. To remove or replace an insert, first remove the iPod from the dock then grip the insert and gently lift it forward and out of the dock.



Dock Adapters Compatibility

		 A	 B	 C
5G with Video 	30GB		X	
	60GB			X
nano 	1GB	X		
	2GB	X		
	4GB	X		
PHOTO 	20GB		X	
	30GB		X	
	40GB			X
	60GB			X
4G 	20GB		X	
	40GB			X
mini 	4GB		X	
	6GB		X	
3G 	10GB		X	
	15GB		X	
	20GB		X	
	30GB			X
	40GB			X

Listening to your iPod

Important

To prevent distortion during iPod playback you should go to the Main Menu of your iPod, select the Settings Menu page, select the EQ Setting, and make sure that the EQ function is set to "Off".

Main Menu → **Settings Menu** → **EQ Setting** → **Select "Off"**

1. Insert the iPod into the dock as described above.
2. Press the POWER button to turn the unit "On"
3. Press the function button repeatedly until "iPod" is shown in the display .
4. Select the song or album that you wish to play on the iPod using the click-wheel navigation controls as usual.
5. Start playback using the click-wheel or the Play/Pause buttons on the unit.
6. Use the VOLUME control on this system to increase or decrease the speaker volume level. The volume control on the iPod has no effect on the speaker volume level.
7. Use Play/Pause & Skip/Tuning + or - button on the unit to start playback, skip track on the iPod and high speed music search.
8. When you are finished listening press the POWER button to return the system to the "Off" mode.

Important Note:

To prevent damage to the iPod we recommend that you do not play the iPod when you are carrying this system around as a portable unit. The system should be placed in a stable, secure position before connecting and operating the iPod.

AUXILIARY INPUT

Listening to a non-docking iPod or other portable music player

Some early iPod models and the iPod shuffle do not include the dock connector found on most other iPods. We have provided an Auxiliary Input Jack on the back panel of this system and included a stereo connection cable so that you can still connect non-docking iPods, other MP3 players, or personal CD players to this system.

1. Locate the stereo connection cable supplied with this system.
2. Connect one end of the 3.5mm stereo cable in to the auxiliary input jack (AUX) located on the back of the unit, and other end to the headphone or line out jack on your portable audio device
3. Press the POWER button to turn the unit "On", and set the FUNCTION to the AUX position. Also turn on your external portable audio player.
4. Use the VOLUME control to adjust the system volume. You may need to adjust your device volume, too.
5. When you are finished listening press the POWER button to return the system to the "Off" mode.

RADIO OPERATION

NOTE: To prevent any interference between your iPod and the radio in this unit, your iPod should be switched 'Off' when listening to the radio.

1. Press the POWER button to turn the unit "On", the display lighting turns on.
2. Press the FUNCTION button until a radio frequency is displayed.
3. Press AM/FM button to select the desired band; AM or FM.
4. Rotate the TUNING control until the display shows the desired AM or FM station frequency. Turn the TUNING control clockwise to select higher numbered frequencies or counter-clockwise to select lower numbered frequencies. The FM STEREO indicator will light when you tune to an FM Stereo station.
5. Rotate the VOLUME control to increase or decrease the volume level.
6. When you are finished listening press the POWER button to return the system to the "Off" mode. The display lighting goes off and the display changes from radio frequency to correct time.

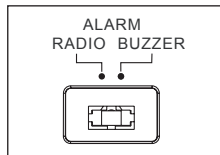
ALARM CLOCK FUNCTIONS

Setting the Clock

1. Make sure the POWER switch is set to the 'Off' position. The time or alarm time cannot be set or adjusted while the unit is 'On'.
2. Press and hold the TIME SET button. While holding the TIME SET button press the HR SET button to adjust the hour.
3. While holding the TIME SET button, press the MINUTE SET button to adjust the minute. Release all buttons to complete time setting.

Setting the Alarm

This unit allows you to wake up to either your favorite radio station or to a buzzer sound. Make your selection by sliding the Radio/Buzzer selector switch on the back of the unit to the RADIO (left) or BUZZER (right) position.



Once you have selected the type of alarm sound you prefer, set the alarm as follows.

1. Press and hold the ALARM SET button to enter the alarm time setting mode. The front panel display will change from current time to alarm time.
Note: The POWER switch must be set to the 'Off' position to adjust the Alarm time.
2. While continuing to hold the ALARM SET button press the HOUR button repeatedly until the display shows the desired wake-up hour.
3. While continuing to hold the ALARM SET button press the MINUTE button repeatedly to set the desired wake-up minute. When the desired wake-up time appears on the display release all the buttons.
4. Press the ALARM ON/OFF button to activate the alarm. The ALARM indicator on the front panel will turn 'On'.
6. When the actual time matches the alarm time the system will turn on to the radio or buzzer alarm automatically. The radio or buzzer will continue to operate for one hour and then shut off and reset itself for the same time on the following day. To stop the alarm sooner, press the ALARM ON/OFF button to deactivate the alarm. The ALARM indicator on the front panel goes 'Off'.

Setting the Snooze

When the alarm is active, pressing the SNOOZE button will silence the alarm for 5 minutes. After the 5-minute snooze interval the alarm will sound again. The snooze timer starts counting down after the SNOOZE key is released. SNOOZE can be used repeatedly within the 1-hour alarm active interval.

WARRANTY

This product is warranted by iSymphony to the original purchaser against manufacturing defects in materials and workmanship encountered in the normal noncommercial use of this product for a limited warranty period of:

Ninety (90) Days Labor, One (1) year Parts

This limited warranty begins on the original date of purchase, and is valid only on products purchased and used in the United States.

1. **LABOR:** During the ninety days labor limited warranty period, iSymphony will, at its option, repair the defective product at no cost to you, or replace the defective product with a new or remanufactured functionally equivalent product of equal value.
2. **PARTS:** During the ninety days parts limited warranty period, iSymphony will supply new or rebuilt replacements for defective parts as may be deemed necessary by iSymphony.
3. This Warranty **DOES NOT APPLY** to products that have been damaged due to abuse, misuse, accident, alteration, modification, negligence, and tampering or products that have been serviced by any unauthorized service center or third party. This Warranty **DOES NOT APPLY** to batteries, connecting cables, AC adaptors, or other accessories packaged with the unit.

What you must do for warranty service:

Unit must be shipped, freight prepaid and properly packaged with the original dated bill of sale as proof of purchase to iSymphony Service Center. Please call 1-800-710-7740 to obtain the shipping instructions.

iSymphony Customer Service
1-800-710-7740

Please register your product online at www.mysymphony.com/register/

iSymphony will pay for the return shipping charges for products that are under warranty and received in this manner.

EXCEPT TO THE EXTENT PROHIBITED BY APPLICABLE LAW, ALL IMPLIED WARRANTIES MADE BY iSYMPHONY IN CONNECTION WITH THE PRODUCT, INCLUDING WARRANTY OF MERCHANTABILITY, ARE LIMITED TO THE DURATION OF THE EXPRESS WARRANTY HEREIN, AND NO WARRANTIES, EXPRESS OR IMPLIED INCLUDING SAID WARRANTY OF MERCHANTABILITY, SHALL APPLY TO THIS PRODUCT AFTER SAID PERIOD. SHOULD THIS PRODUCT PROVE TO BE DEFECTIVE IN WORKMANSHIP OR MATERIAL, THE CONSUMER'S SOLE REMEDY SHALL BE SUCH REPAIR OR REPLACEMENT AS IN HEREIN ABOVE EXPRESSLY PROVIDED, AND UNDER NO CIRCUMSTANCES SHALL iSYMPHONY BE LIABLE FOR ANY LOSS OR DAMAGE, DIRECT OR CONSEQUENTIAL, ARISING OUT OF THE USE, MISUSE, OR INABILITY TO USE THIS PRODUCT. THIS WARRANTY IS NONTRANSFERRABLE.

Some states do not allow the exclusion and limitation of incidental or consequential damage, or allow limitations on how long an implied warranty lasts, so the above limitations or exclusions or inclusions may not apply to you. This warranty gives you specific legal right and you may also have other rights, which vary from state to state.

TROUBLESHOOTING GUIDE

Symptom	Possible Cause	Solution
Noise or sound distorted on AM or FM broadcasts.	Station not tuned properly for AM or FM.	Retune the AM or FM broadcast station.
	FM: Rod antenna is not extended.	Extend FM Rod antenna.
	AM: The bar antenna is not positioned correctly.	Reposition the unit until best reception is obtained.
FM STEREO indicator does not light	The BAND switch is not set to FM position.	Set the BAND switch to FM ST. Position
AM or FM, no sound	Function switch is not set to RADIO.	Set the Function switch to RADIO.
	Volume at minimum.	Increase Volume
iPod Player		
Unit does not respond (no power)	AC adaptor is not plugged into a wall outlet or the connector is not plugged into the power supply jack on the back of the unit.	Plug the AC adaptor into a wall outlet and plug the connector into the supply jack on the unit.
	Using no or wrong iPod insert	Make sure the dock insert is the proper fit for the iPod
iPod does not dock properly	iPod did not install properly	Remove the iPod from the dock and check for obstruction on the connections in the dock and on the iPod, then reseal it in the dock
iPod does not respond to the unit	iPod is not installed properly	Remove the iPod from the dock and check for obstruction on the connectors in the dock and on the iPod then reseal it in the dock
	iPod is locked up	Please make sure your iPod is working properly before docking into the unit. Please refer to the iPod manual for details.
	Using first or second generation iPod, iPod Shuffle or other devices.	This unit cannot control those iPods or other devices. Please use the AUX input for music playback from these devices
iPod does not charge	Operating on batteries	Connect AC power adapter. iPod battery will only charge when unit is operating on AC power.
	iPod is not installed properly	Remove the iPod from the dock and check for obstruction on the connectors in the dock and on the iPod. Then reseal it in the dock
	iPod is locked up/frozen	Please make sure your iPod is working properly before docking into the unit. Please refer to your iPod manual for details.
	iPod battery has a problem	

TECHNICAL SPECIFICATION

Specification

FM section

Tuning range:	88.0 MHz - 108.5 MHz
Usable sensitivity:(30dB S/N)	22dB μ
Antenna:	telescopic

AM section

Tuning range:	520 kHz - 1720kHz
Usable sensitivity:	65dBm
Antenna:	Ferrite bar

Amplifier

Power output (at 10% THD):	2.0W
Headphone:	32 ohms

General

Power requirement:	AC110V, 60Hz
Max. Power consumption:	15W
Dimension of main unit:	310 (L) x 85(W) x 165 (H) mm
Weight of main unit:	1.8 kgs

Specifications and external appearance are subject to change without notice.

iSymphony™

Bringing Audio Back to LIVE™

"iPod" is a registered trademark owned by Apple Computer Inc. in the U.S and in other countries
"iSymphony", "Bringing audio back to live" and "Bringing audio back to life" are trademarks of iSymphony Holdings Enterprises, LLC.
Windows Media is either a registered trademark or trademark of Microsoft Corporation in the United States and/or other countries.

Free Manuals Download Website

<http://myh66.com>

<http://usermanuals.us>

<http://www.somanuals.com>

<http://www.4manuals.cc>

<http://www.manual-lib.com>

<http://www.404manual.com>

<http://www.luxmanual.com>

<http://aubethermostatmanual.com>

Golf course search by state

<http://golfingnear.com>

Email search by domain

<http://emailbydomain.com>

Auto manuals search

<http://auto.somanuals.com>

TV manuals search

<http://tv.somanuals.com>